

FILM-TECH

THE INFORMATION CONTAINED IN THIS ADOBE ACROBAT PDF FILE IS PROVIDED AT YOUR OWN RISK AND GOOD JUDGMENT.

THESE MANUALS ARE DESIGNED TO FACILITATE THE EXCHANGE OF INFORMATION RELATED TO CINEMA PROJECTION AND FILM HANDLING, WITH NO WARRANTIES NOR OBLIGATIONS FROM THE AUTHORS, FOR QUALIFIED FIELD SERVICE ENGINEERS.

IF YOU ARE NOT A QUALIFIED TECHNICIAN, PLEASE MAKE NO ADJUSTMENTS TO ANYTHING YOU MAY READ ABOUT IN THESE ADOBE MANUAL DOWNLOADS.

WWW.FILM-TECH.COM

INSTRUCTION MANUAL

SPA-5A AUTOMATION

Issue 2-87



STRONG INTERNATIONAL

1712 Jackson Street
Omaha, Nebraska 68102
402/342-4444 Telex 484481

CONTENTS

Preface	1
Terminal Board Locations	3
Installation	4
Description of System Controls	13
Automation Cueing	16
Synchronous Operation	17
Logic Flow Charts	18
Control Board Adjustments	37
Special Adaptations	39
Wiring Diagrams	44

PREFACE

THE STRONG SPA-5A AUTOMATION SYSTEM utilizes solid state timing circuits to control virtually any function in the modern projection booth. The basic system controls the following functions:

- a) Projector - On/Off
- b) Lamphouse - On/Off
- c) Changeover - Open/Close
- d) Non-Sync Sound - On/Off
- e) Exciter Lamp - On/Off
- f) House Light Control - Bright/Dim

THE SYSTEM includes an intermission stop programmable feature which allows the user to program a stop during a long or double feature presentation. Another standard feature of the SPA-5A is built-in monophonic to stereo latching type switching logic, which is programmable on the automation control panel. The basic system is supplied with a failsafe switch with film split detection and a double cue sensor.

THE BASIC SYSTEM also incorporates three additional functions as standard features:

- a) Automatic house lights UP in the event of a film break
- b) Show status indication and automatic return to status after repair of a break
- c) Logic circuit to defeat film break alarm during a normal system shutdown

THE SPA-5A is expandable either at the factory or in the field to accommodate desired presentation formats. The following options can be incorporated in the SPA-5A regardless of the system configuration (wall or console mounted).

SD-2 Dimmer (optional)

This unit provides two complete 2000 watt circuits for control of both house and stage lights. The control module and manual controls for the solid state dimmer are mounted in the SPA-5A, and the power modules may be located near the booth power distribution panel to minimize high voltage wiring. The SD-2 includes built-in logic to allow for a half level on the house lights during previews and credits. The dimmer circuits can be expanded in increments of 2000 watts by installing additional SPM power modules.

SD-1 Dimmer (optional)

This unit provides one 2000 watt circuit for control of house lights. The control module and manual controls mount in the SPA-5A, and the power module may be located near the booth power distribution panel to minimize high voltage wiring. The SD-1 also includes half level logic for the house lights during previews and credits. The dimmer is expandable in increments of 2000 watts by installing additional SPM power modules.

Interlock Module (optional)

The interlock module permits interlocking two or more machines for synchronous operation. This module plugs directly into the SPA-5A card rack in those machines where interlocking is desired. One module is required for each interlocked machine, and three additional wires must be interconnected between interlocked machines. The SYNC switch on the systems control panel must be programmed on those systems requiring synchronous operation.

NOTE: The interlock module socket (803) must have either an interlock module or a jumper card installed for correct automation operation.

Interlocked machines **must** be equipped with synchronous drive motors.

Format Module (optional)

This module provides automatic switching logic for lens changers (or turrets) and masking motors for changing screen formats (flat/scope). A unique feature of this module is that it returns the lens and masking to the "show start" position at the end of a feature when FORMAT CHANGE is programmed. The time allocated for a format change is programmable on the 841 circuit board. Format change occurs after the system senses the first outboard cue if FORMAT CHANGE is programmed on the system control panel.

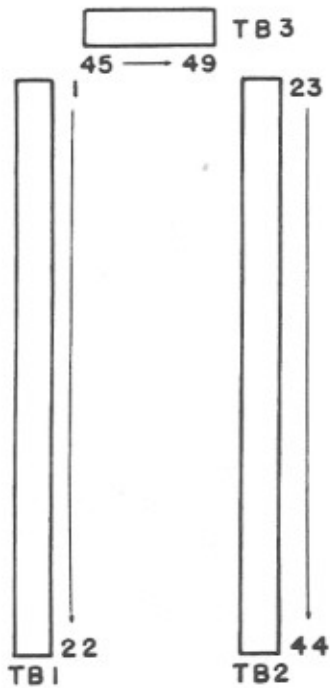
Curtain Module (optional)

This module is used in the SPA-5A automation to control the automatic opening and closing of the curtains. It also includes a "curtain call" feature which highlights the main feature by closing the curtains at the end of the previews (sensing an outboard cue) and then re-opening them for the main feature. The "curtain call" feature will activate only if so programmed on the system control panel.

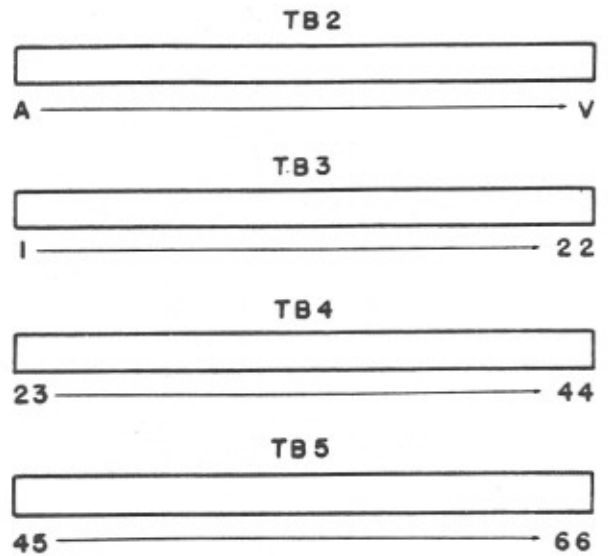
Deluxe Stereo Module (optional)

The Deluxe Stereo Module is used with those stereo systems which require pulsed type logic for switching, such as the Dolby CP-55 or CP-200. This module works in conjunction with the built-in SPA-5A switching logic, but provides pulsed type logic to the stereo processor. Stereo switching must be programmed on the automation control panel for switching to stereo upon sensing the first outboard cue.

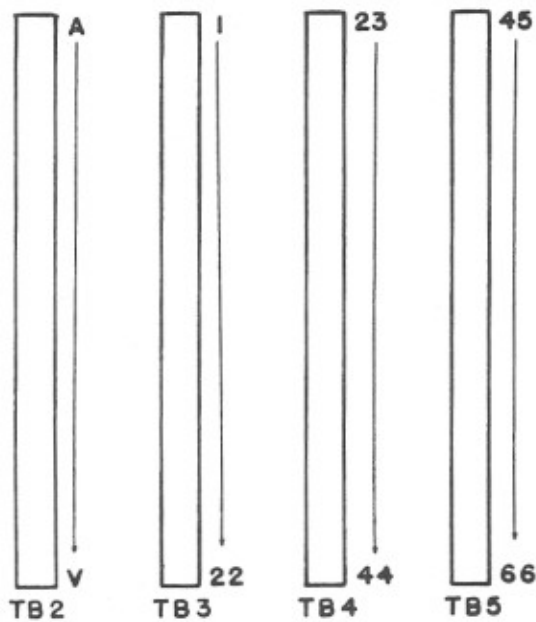
SPA-5A TERMINAL BOARD LOCATIONS



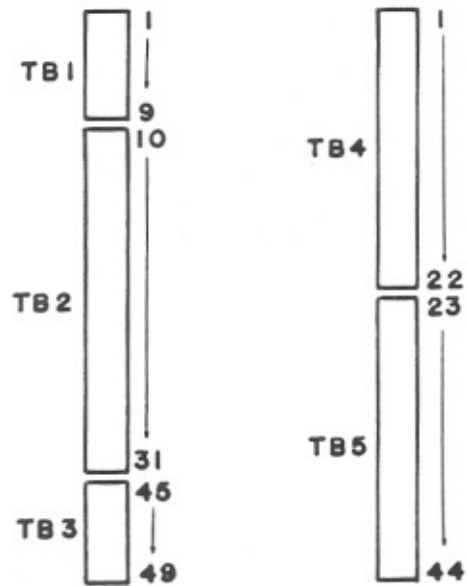
Wall Mount



VIP



Highlight



Super Highlight

INSTALLATION

WHEN THE SPA-5A is ordered in the VIP, Highlight, or Super Highlight console, it is delivered factory installed in the unit. Wiring instructions pertinent to the particular systems are included in the Wiring Instruction and Schematic sections of this manual.

The cabinet of the wall mount version of the SPA-5A is designed to be user installed at the particular installation site. It must be securely mounted to the wall at the desired location with user supplied 1/4" lag screws. The location of the wall mount cabinet should be on the operating side of the projector and close to the port for viewing purposes. It is recommended to remove the required electrical knock-outs from the cabinet prior to mounting.

IMPORTANT NOTE

Prior to installing any model SPA-5A, carefully check the following:

- 1) Remove all circuit boards and inspect to ascertain that all relays are firmly in place. Re-install the circuit boards, seating them firmly into their sockets.
- 2) Check all relays on the main frame to ascertain that they are firmly seated.
- 3) Check all Molex plugs on the main frame to ascertain that they are firmly in place.
- 4) Read the SPA-5A Instruction Manual!

ELECTRICAL CONNECTIONS

<u>TB No.</u>	<u>Connection</u>	<u>TB No.</u>	<u>Connection</u>
1	115 V.AC Phase	28	Failsafe Switch, Nor. Open
2	115 V.AC Neutral	29	Failsafe Switch, Nor. Close
3-7	Dimmer (see "Dimmer")	30	Inboard Cue
8	Zipper Douser, CLOSE	31	Outboard Cue
9	Zipper Douser, Common	32	DM Module
10	Zipper Douser, OPEN	33	DM Module
11	Ballantyne 3017A Douser	34	Remote (+24 V.DC)
12	Ballantyne 3017A Douser	35	Remote (-24 V.DC)
13	Non-Sync Sound, Dry	36	Remote, RUN Light
14	Non-Sync Sound, OFF	37	Remote, STOP Light
15	Non-Sync Sound, ON	38	Remote, Alarm Signal
16	Exciter Switch, Dry	39	Remote, STOP Switch
17	Exciter Switch, ON	40	Remote, START Switch
18	Lamp Switch, Common	41	Remote, Alarm Cancel
19	Lamp Switch, ON	42	Interlock, ALL STOP
20	Projector Switch, 115 V.AC	43	Interlock, ALL START
21	Projector Switch, ON	44	Interlock, P.S. Tie
22	Curtain Switch, CLOSE	45	Stereo Switching, Dry
23	Curtain Switch, Dry	46	Switching, Stereo
24	Curtain Switch, OPEN	47	Switching, Mono
25	Spare (+24 V.DC)	48	Pulse, Dry
26	Spare (-24 V.DC)	49	Pulse, Non-Sync
27	Failsafe Switch, +24 V.	50	Spare

AC POWER CONNECTIONS

THE SPA-5A requires 115 V.AC, single phase, 60 Hertz, 5 Ampere service to operate. This service is factory pre-wired and breaker protected when the SPA-5A is delivered installed in a VIP, Highlight, or Super Highlight console. Wall mounted versions of the SPA-5A require this service run by the installing electrician. As with any type of electrical equipment, a good earth ground should be run to the SPA-5A and connected to the chassis.

If the SPA-5A is used in conjunction with Strong's "SD" series dimmer system, the 115 V.AC feed to the automation must be on the same electrical phase as the lighting circuit or circuits to be controlled.

AUTOMATION LOGIC for the SPA-5A is powered by 24 V.DC, which is derived from the internal power supply.

FORMAT MODULE CONNECTIONS (Requires Optional Format Module)

The SPA-5A is designed to incorporate an optional Format Module to automate switching operations of lens turrets and masking controls. This function is programmed at the main automation control panel. The system is designed to return the turret and masking to the starting position at the conclusion of each presentation.

Connections to the Format Module are made directly to the module itself, which is mounted to the SPA-5A main frame. For turrets requiring only a switch closure to change direction, only two wires to the turret side of the Format Module on the common and scope terminals, and a jumper between the flat and scope terminals, is required.

Manual override switches for the masking portion of the Format Module are provided should the turret and masking fail to synchronize. The masking motor control connections are self explanatory, and are labeled FLAT, SCOPE, and COMMON.

The length of time allocated for a format change is controlled by a potentiometer on the 841 circuit board. Turning the potentiometer **CLOCKWISE increases** the amount of time allocated, and turning it **COUNTERCLOCKWISE decreases** the amount of time. The picture changeover closes during the format change, and reopens upon completion of this timing function.

SPA-5A DIMMER CONNECTIONS

While the SPA-5A is designed specifically for use with Strong's "SD" series dimmers, it can also accommodate dimmers manufactured by other suppliers. The pulse duration for dimmer operation is approximately one second; therefore, if using a dimmer requiring a longer pulse, the installation may require a latching relay or a pulse elongation timing circuit. The SPA-5A uses one common leg to control both HOUSE and STAGE lighting control circuitry.

Strong SD-1 Dimmer Connections:

Term. 4 - to Power Module (-)
Term. 5 - to Power Module (+)

Strong SD-2 Dimmer Connections:

Term. 4 - to HOUSE Power Module (-)
Term. 5 - to HOUSE Power Module (+)
Term. 6 - to STAGE Power Module (-)
Term. 7 - to STAGE Power Module (+)

Other Manufacturer's Dimmer Connections:

Term. 3 - to Dimmer Switch "House Lights Down"
Term. 4 - to Dimmer Switch Common
Term. 5 - to Dimmer Switch "Stage Lights Up"
Term. 6 - to Dimmer Switch "Stage Lights Down"
Term. 7 - to Dimmer Switch "House Lights Up"

PICTURE CHANGEOVER CONNECTIONS

The SPA-5A incorporates both 115 V.AC pulse and dry contact latching type picture changeover logic. The pulse type logic is used for Simplex, Century, and Christie projectors, while Ballantyne and Norelco projectors utilize latching type logic. Changeover logic must be specified at the time of the original equipment order.

Pulse Type ("Zipper") Changeover Connections:

SPA-5A Term. 8 - C/O Close (Brown)
SPA-5A Term. 9 - C/O Neutral (White)
SPA-5A Term.10 - C/O Open (Black)

Picture Changeover Connections (con't)

Latching Type Changeover Connections:

SPA-5A Term. 11 - Switch "Common"
SPA-5A Term. 12 - Switch "Open"

NON-SYNC SOUND SWITCHING CONNECTIONS

The SPA-5A contains switching to automatically switch the non-sync (intermission) music system on and off. This is accomplished by a set of dry contacts on the exciter lamp relay in the automation. The wiring of the automation is such that the non-sync terminals are closed when the exciter lamp is OFF and open when the exciter lamp is ON. The system provides both the "Normally Open" and "Normally Closed" contacts of this circuit which can be used for various sound system requirements. See "Special Sound System Connection" section.

Non-Sync Switching Connections:

SPA-5A Term. 13 - Non-Sync Switch Common
SPA-5A Term. 14 - Non-Sync Switch OFF
SPA-5A Term. 15 - Non-Sync Switch ON

EXCITER SUPPLY SWITCHING CONNECTIONS

The SPA-5A includes circuitry to automatically switch the exciter lamp power supply on and off. This is accomplished by means of the exciter relay which contains a set of dry contacts used for the switching. While the relay contacts conduct sufficient current to permit switching the AC feed to the exciter lamp power supply, it is more advisable to switch the positive (+) DC output of the supply to the exciter lamp. The exciter relay coil is energized when the DOUSER OPEN signal is detected, and is de-energized when the DOUSER CLOSE signal is detected at the end of the presentation.

Exciter Switching Connections:

- SPA-5A Term. 16 - Positive (+) from Exciter Power Supply
- SPA-5A Term. 17 - Positive (+) Exciter Lamp Terminal

LAMPHOUSE CONNECTIONS

The SPA-5A supplies a set of dry contacts for use with the lamphouse automatic ignition circuit. These relay contacts close when the START switch is actuated, and remain closed until one of the following occurs:

- a) The failsafe drops out at the completion of the presentation
- b) The system senses an inboard cue and INTERMISSION STOP is programmed
- c) The failsafe drops out because of a film break or split

Lamphouse Connections:

- SPA-5A Term. 18 - Auto Ignite Switch Common
- SPA-5A Term. 19 - Auto Ignite Switch "Normally Open"

PROJECTOR MOTOR CONNECTIONS

The SPA-5A provides a set of dry contacts to automate projector operation. The contacts close when the START switch is actuated, and remain closed until one of the following occurs:

- a) The failsafe drops out at the end of the presentation
- b) The system senses an inboard cue and INTERMISSION STOP is programmed
- c) The failsafe drops out because of a film break or split

Projector Motor Connections:

- SPA-5A Term. 20 - Projector Motor Circuit Breaker
- SPA-5A Term. 21 - Projector Motor, AC Phase ("Hot")

CURTAIN CONTROL CONNECTIONS
(Requires Optional 804 CM Module)

The SPA-5A is designed to automate control of curtains with the addition of the optional 804 Curtain Module to the system. The 804 module supplies a timed CLOSE and OPEN pulse for curtain operation and also incorporates a "Curtain Call" feature used to highlight the opening of the main feature. This function must be so programmed at the main control panel of the SPA-5A. When "Curtain Call" is programmed, the curtain will close when the automation senses the first outboard cue, and then re-open when the timing circuit on the 804 module times out.

The curtains open when the show first goes on screen, approximately seven seconds after the START switch is actuated. They will close and re-open if the "Curtain Call" feature is programmed. The curtain will begin closing when the automation senses an inboard (end of show) cue. The timing of the "D" side of the 301 module can be adjusted to close the curtains simultaneously with the douser, thus avoiding a white screen.

Curtain Control Connections:

SPA-5A Term. 22 - Curtain Motor Switch CLOSE
SPA-5A Term. 23 - Curtain Motor Switch Common
SPA-5A Term. 24 - Curtain Motor Switch OPEN

FAILSAFE/CUE DETECTOR CONNECTIONS

The Failsafe/Cue Detector assembly mounts below the soundhead, and is required to sense film runout, breaks and splits, and cueing tapes.

Failsafe/Cue Detector Connections:

SPA-5A Term. 27 - Failsafe/C.D. Common (White) —
SPA-5A Term. 28 - Failsafe/C.D. Norm. Closed (Black) —
SPA-5A Term. 29 - Failsafe/C.D. Norm. Open (Red) —
SPA-5A Term. 30 - Failsafe/C.D. Inboard (Blue) —
SPA-5A Term. 31 - Failsafe/C.D. Outboard (Orange) —

SPAR REMOTE CONNECTIONS

The SPA-5A automation may be used with the optional Strong SPAR Remote Status System to indicate the operational status of the individual booths. While the SPAR Remote is designed to provide only indicated status of the system, the SPA-5A is wired to permit remote START and STOP functions if so desired. Field wiring of the standard Strong SPAR requires five wires per booth. If remote START and STOP capability is desired, an additional three wires are required.

Remote Status Connection:

SPA-5A Term. 35 - SPAR Negative
SPA-5A Term. 36 - SPAR START L.E.D.
SPA-5A Term. 37 - SPAR STOP L.E.D.
SPA-5A Term. 38 - SPAR Alarm L.E.D.
SPA-5A Term. 41 - SPAR Alarm Cancel Switch

For Remote START and STOP

SPA-5A Term. 34 - SPAR Positive
SPA-5A Term. 39 - SPAR STOP Switch
SPA-5A Term. 40 - SPAR START Switch

PROJECTION INTERLOCK SYSTEM CONNECTIONS (Requires Optional 803 IM Module)

The SPA-5A is designed to allow operation of several machines projecting the same print in different auditoriums. To utilize this feature, each system that is to be interlocked must contain an optional 803 IM Interlock Module. If this feature is not used at the time of the initial installation, it is still advisable to run an additional three wires between machines in the event the interlock feature is added in the future.

Interlock Connections:

SPA-5A Term. 42 - Interconnect between all Interlocked Units
SPA-5A Term. 43 - Interconnect between all Interlocked Units
SPA-5A Term. 44 - Interconnect between all Interlocked Units

Note: Interlocked units will operate independently unless the INTERLOCK feature is programmed at each main control panel of the interlocked units.

STEREO SWITCHING CONNECTIONS (Latching Type)

The standard SPA-5A automation incorporates a set of dry contacts to automatically switch from monophonic to stereo if so programmed on the main control panel. This change will occur when the automation senses the first outboard cue. At the end of the presentation, the automation automatically returns the system to monophonic.

The latched stereo switching circuitry is designed for use with EPRAD, Kintech, Smart, and Ultra stereo sound processors. With slight modifications, it can also be used with Dolby CP-50 and CP-100 systems. It is recommended to consult the installation instructions supplied with the individual sound processor for the correct connections to the SPA-5A. Refer also to the "Special Stereo Connections" section of this manual.

Stereo Switching Connections, Latched:

SPA-5A Term. 45 - Switch Common
SPA-5A Term. 46 - Switch STEREO
SPA-5A Term. 47 - Switch MONO

STEREO SWITCHING CONNECTIONS (Pulse Type - Requires Optional DSM Module)

The SPA-5A is designed to incorporate an optional stereo switching module which provides pulsed type switching logic to the stereo processor. This type of logic is required for operation of the Dolby CP-55 and CP-200 processors. Switching is accomplished as with the latching type circuit, only the closure is limited to one second.

Stereo Switching Connections, Pulsed:

SPA-5A Term. 45 - Switch Common
SPA-5A Term. 49 - Switch NON-SYNC, Pulse
SPA-5A Term. 46 - Switch STEREO, Pulse
SPA-5A Term. 47 - Switch MONO, Pulse

DESCRIPTION OF SYSTEM CONTROLS

THE SPA-5A incorporates several control switches, both standard and optional, depending on the configuration ordered. These controls are used for Program Selection, Automatic Operation, Manual Operation, and Program Status Indication.

POWER: Illuminated when energized; provides AC power to system. Light indicates DC power.

START: Illuminated when film is correctly threaded through failsafe switch. Pressing initiates the automation sequence.

STOP: Illuminated when failsafe switch arms are down; pressing stops automation sequence.

F.S. DEFEAT: Illuminated when energized. To be used **only** for testing purposes; when used, the film break detection circuit is defeated and the projector and lamphouse will **not** shut down in the event of a film break.

PREVIEW: Illuminated between show start and sensing first outboard cue.

FEATURE: Illuminated after sensing first outboard cue and prior to sensing second outboard cue (Main Feature).

CREDITS: Illuminated after sensing second outboard cue and prior to sensing inboard cue.

NOTE: Pressing the illuminated switch after repairing a film break will restore the automation sequence to the mode it was in prior to the break.

MANUAL CONTROL SWITCHES

THE SPA-5A CONTROL PANEL includes a set of manual operation switches which override the automation in the event of an automation failure, or for use for special screening, testing, or machine maintenance (running sound loops, bulb alignment, etc.).

PROJ.: Provides manual operation of projector motor when pressed. Press again to reset (turn off motor).

LAMP: Provides manual ignition of lamphouse. Press to reset (extinguish lamphouse).
NOTE: This switch is panel mounted on wall mount units only. For manual lamphouse operation with Highlight or VIP consoles, use the lamphouse MODE switch (MAN.) and LAMP switch (ON-OFF).

EXC.: Provides manual operation of exciter lamp. Press to reset (extinguish lamp).

C.O. OPEN: Provides manual opening of picture changeover douser.

C.O. CLOSE: Provides manual closing of picture changeover douser.

NOTE: When used with "Zipper" type changeovers (Simplex, Century, Christie), DO NOT depress switch for more than (1) second.

I.B. CUE: Provides a manual inboard cue.

O.B. CUE: Provides a manual outboard cue.

FULL DIM: Provides manual operation of lights to full dim.

FULL BRIGHT: Provides manual operation of lights to full bright.

PROGRAM SWITCH SETTINGS

NON-ROUTINE OPERATIONS required for individual operations or presentation must be programmed into the automation system at the control panel prior to the opening of the presentation.

INTER. STOP: Illuminated when energized; extinguishes lamphouse and stops projector after end of show times out.

STEREO: Illuminated when energized; provides mono to stereo switching on first outboard cue. NOTE: Latching type logic is standard. An optional DSM module is required for pulse type logic.

CURTAIN CALL: Illuminated when energized; closes and re-opens curtains on first outboard cue. NOTE: Optional CM module required.

FORMAT CHANGE: Illuminated when energized; changes lens turret and masking on first outboard cue. NOTE: Optional FM module required.

SPECIAL MANUAL SWITCHES

FLAT: Provides manual operation of masking motor to FLAT position. Requires optional FM module.

SCOPE: Provides manual operation of masking motor to SCOPE position. Requires optional FM module.

CURTAIN OPEN: Provides manual operation of curtain motor to OPEN position. Requires optional CM module.

CURTAIN CLOSE: Provides manual operation of curtain motor to CLOSE position. Requires optional CM module.

HALF DIM: Provides manual control of Strong "SD" series dimmer to half level in DOWN position. "SD" series dimmer required.

HALF BRIGHT: Provides manual control of Strong "SD" series dimmer to half level in UP position. "SD" series dimmer required.

AUTOMATION CUEING

THE AUTOMATION is cued by means of foil tape applied to the film to initiate a desired program change sequence. The length of the tape should be approximately six inches in length, and the tape must be free of oil and other contaminants. The basic SPA-5A is designed to respond to both inboard (non-soundtrack edge of film) and outboard (soundtrack edge of film) cues. The results of the system's sensing the cue varies with system options and whether or not they are programmed at the system control panel.

THE FOLLOWING ACTIONS will occur when the individual cues are sensed:

First Outboard Cue

- a) Curtains will close if "Curtain Call" is programmed (CM module required)
- b) Lights will switch to FULL DIM (with "SD" series dimmer)
- c) Format will change if "Format Change" is programmed (FM module required)
- d) Stereo system will switch if "Stereo" is programmed
- e) Curtains will re-open if "Curtain Call" is programmed (CM module required)

Second Outboard Cue

- a) Lights will switch to half level (with "SD" series dimmer)

Inboard Cue

- a) Initiates automation "End of Show" timing circuit
- b) Curtains begin closing (CM module required)
- c) Lights come FULL UP
- d) When timer times out, the following occurs:
 - Picture changeover closes
 - Stereo switches to non-sync
 - Format returns to START position if "Format Change" programmed

Film Run-Out

- a) Projector motor stops
- b) Lamphouse extinguishes

NOTES:

- a) If "Intermission Stop" is programmed, projector and lamphouse shut off by automation timer.
- b) See "Interlock Operation" section for special inboard cue function.

INTERLOCK (SYNCHRONOUS) OPERATION

THE SPA-5A AUTOMATION SYSTEM is designed for multiple system interlocking, meaning a pre-determined number of machines can run the same print simultaneously, provided that each machine contains the IM Interlock Module, and is equipped with a synchronous drive motor. With the IM module installed and interconnected, the interlocked machines will operate in a synchronous mode by pressing the SYNC switch at each unit. This mode is indicated by an illuminated SYNC switch.

THE INTERLOCK WIRING is unique in that only three wires are required between interlocked units. It is advisable to install these wires in new installations whether or not interlocking is anticipated. As auditorium seating requirements change for film booking minimums, seating capacities can be increased by adding only IM modules and wall rollers.

Interlock Operation Sequence

- a) Splice sufficient leader onto the head of the feature to allow threading all of those machines to be interlocked.
- b) Place an inboard cue on the leader **behind** the failsafe on the starting (No. 1) machine.
- c) Energize the SYNC switch on those units to be operated synchronously
- d) Press the START switch on the first (No. 1) machine.
 - All machines will start
 - "Show Start" timer on No. 1 machine starts
- e) When subsequent machines sense the inboard cue (Step b), their individual "Show Start" timers will start.
- f) All other cues are defined in "Automation Cueing Procedures" section.

SPA-5A PROGRAM LOGIC FLOW CHARTS

<u>Chart</u>	<u>Configuration</u>
1	Basic Unit - Less "SD" Dimmer - Less Options
2	Basic Unit - Less "SD" Dimmer - With CM Curtain Module
3	Basic Unit - Less "SD" Dimmer - With FM Format Module
4	Basic Unit - With SD-1 Dimmer - Less Options
5	Basic Unit - With SD-1 Dimmer - With CM Curtain Module
6	Basic Unit - With SD-1 Dimmer - With FM Format Module
7	Basic Unit - With SD-2 Dimmer - Less Options
8	Basic Unit - With SD-2 Dimmer - With CM Curtain Module
9	Basic Unit - With SD-2 Dimmer - With FM Format Module

NOTE: Regardless of system configuration, "Start of Show" and "End of Show" timers are adjustable on the 301 circuit board. Factory timing is a nominal (7) seconds.

LOGIC CHART No. 1

Configuration:

- SPA-5A without "SD" series dimmer
 - No options
 - No "Intermission Stop" programmed
-
1. Press START Switch
 - a) Projector ON
 - b) Lamphouse IGNITE
 - c) Lights DIM
 - d) "Start of Show" Timer ON

 2. After (7) Seconds
 - a) Picture Changeover OPEN
 - b) Exciter Lamp ON
 - c) Non-Sync Sound OFF
 - d) "Start of Show" Timer OFF

 3. Outboard Cue
 - a) Switch to STEREO (if programmed)

 4. Inboard Cue
 - a) Lights UP
 - b) "End of Show" Timer ON

 5. After (7) Seconds
 - a) Picture Changeover CLOSE
 - b) Exciter Lamp OFF
 - c) Non-Sync Sound ON
 - d) "End of Show" Timer OFF

 6. Film Run-Out
 - a) Lamphouse OFF
 - b) Projector OFF

LOGIC CHART No. 1-A

Configuration

- SPA-5A without "SD" series dimmer
- No options
- "Intermission Stop" programmed

1. Press START Switch
 - a) Projector ON
 - b) Lamphouse IGNITE
 - c) Lights DIM
 - d) "Start of Show" Timer ON

2. After (7) Seconds
 - a) Picture Changeover OPEN
 - b) Exciter Lamp ON
 - c) Non-Sync Sound OFF
 - d) "Start of Show" Timer OFF

3. Outboard Cue
 - a) Switch to STEREO (if programmed)

4. Inboard Cue
 - a) Lights UP
 - b) "End of Show" Timer ON

5. After (7) Seconds
 - a) Picture Changeover CLOSE
 - b) Exciter Lamp OFF
 - c) Non-Sync Sound ON
 - d) "End of Show" Timer OFF
 - e) Lamphouse OFF
 - f) Projector OFF

To resume performance, press START switch.

LOGIC CHART No. 2

Configuration:

- SPA-5A without "SD" series dimmer
 - With CM Curtain Module
 - No "Intermission Stop" programmed
1. Press START Switch
 - a) Projector ON
 - b) Lamphouse IGNITE
 - c) Lights DIM
 - d) "Start of Show" Timer ON
 2. After (7) Seconds
 - a) Picture Changeover OPEN
 - b) Exciter Lamp ON
 - c) Non-Sync Sound OFF
 - d) "Start of Show" Timer OFF
 - e) Initiate Curtains OPEN
 3. Outboard Cue
 - a) Curtains CLOSE (if "Curtain Call" programmed)
 - b) Switches to STEREO if programmed *
 - c) Curtains Re-Open (if "Curtain Call" programmed)
 4. Inboard Cue
 - a) Lights UP
 - b) "End of Show" Timer ON
 - c) Initiate Curtains CLOSE
 5. After (7) Seconds
 - a) Picture Changeover CLOSE
 - b) Exciter Lamp OFF
 - c) Non-Sync Sound ON
 - d) "End of Show" Timer OFF
 6. Film Run-Out
 - a) Lamphouse OFF
 - b) Projector OFF

* Switches to STEREO and Curtain Re-Opens after timing function on 804 circuit board times out.

LOGIC CHART No. 2A

Configuration:

- SPA-5A without "SD" series dimmer
- With CM Curtain Module
- "Intermission Stop" programmed

1. Press START Switch
 - a) Projector ON
 - b) Lamphouse IGNITE
 - c) Lights DIM
 - d) "Start of Show" Timer ON
2. After (7) Seconds
 - a) Picture Changeover OPEN
 - b) Exciter Lamp ON
 - c) Non-Sync Sound OFF
 - d) "Start of Show" Timer OFF
 - e) Initiate Curtains OPEN
3. Outboard Cue
 - a) Curtains CLOSE (if "Curtain Call" programmed)
 - b) Switches to STEREO if programmed *
 - c) Curtains RE-OPEN (if "Curtain Call" programmed)
4. Inboard Cue
 - a) Lights UP
 - b) "End of Show" Timer ON
 - c) Initiate Curtains CLOSE
5. After (7) Seconds
 - a) Picture Changeover CLOSE
 - b) Exciter Lamp OFF
 - c) Non-Sync Sound ON
 - d) "End of Show" Timer OFF
 - e) Lamphouse OFF
 - f) Projector OFF

* Switches to STEREO and Curtains Re-Open after timing function on 804 circuit board times out.

LOGIC CHART No. 3

Configuration:

- SPA-5A without "SD" series dimmer
 - With FM Format Module
 - No "Intermission Stop" programmed
-
1. Press START Switch
 - a) Projector ON
 - b) Lamphouse IGNITE
 - c) Lights DIM
 - d) "Start of Show" Timer ON

 2. After (7) Seconds
 - a) Picture Changeover OPEN
 - b) Exciter Lamp ON
 - c) Non-Sync Sound OFF
 - d) "Start of Show" Timer OFF

 3. Outboard Cue
 - a) Lens Turret & Masking Change (if programmed)
 - b) "End of Show" Timer ON

 4. Inboard Cue
 - a) Lights UP
 - b) "End of Show" Timer OFF

 5. After (7) Seconds
 - a) Picture Changeover CLOSE
 - b) Exciter Lamp OFF
 - c) Non-Sync Sound ON
 - d) "End of Show" Timer OFF
 - e) Lens Turret & Masking Change to START position (if programmed)

 6. Film Run-Out
 - a) Lamphouse OFF
 - b) Projector OFF

LOGIC CHART No. 3A

Configuration:

- SPA-5A without "SD" series dimmer
- With FM Format Module
- "Intermission Stop" programmed

1. Press START Switch
 - a) Projector ON
 - b) Lamphouse IGNITE
 - c) Lights DIM
 - d) "Start of Show" Timer ON
2. After (7) Seconds
 - a) Picture Changeover OPEN
 - b) Exciter Lamp ON
 - c) Non-Sync Sound OFF
 - d) "Start of Show" Timer OFF
3. Outboard Cue
 - a) Lens Turret & Masking Change (if programmed)
 - b) Switches to STEREO (if programmed)
4. Inboard Cue
 - a) Lights UP
 - b) "End of Show" Timer ON
5. After (7) Seconds
 - a) Picture Changeover CLOSE
 - b) Exciter Lamp OFF
 - c) Non-Sync Sound ON
 - d) "End of Show" Timer OFF
 - e) Lamphouse OFF
 - f) Projector OFF
 - g) Lens Turret & Masking Return to START Position (if programmed)

LOGIC CHART No. 4

Configuration:

- SPA-5A with SD-1 dimmer
- No options
- No "Intermission Stop" programmed

1. Press START Switch
 - a) Projector ON
 - b) Lamphouse IGNITE
 - c) Lights HALF LEVEL
 - d) "Start of Show" Timer ON
2. After (7) Seconds
 - a) Picture Changeover OPEN
 - b) Exciter Lamp ON
 - c) Non-Sync Sound OFF
 - d) "Start of Show" Timer OFF
3. First Outboard Cue
 - a) Switch to STEREO (if programmed)
 - b) Lights DIM
4. Second Outboard Cue
 - a) Lights HALF LEVEL
5. Inboard Cue
 - a) Lights BRIGHT
 - b) "End of Show" Timer ON
6. After (7) Seconds
 - a) Picture Changeover CLOSE
 - b) Exciter Lamp OFF
 - c) Non-Sync Sound ON
 - d) "End of Show" Timer OFF
7. Film Run-Out
 - a) Lamphouse OFF
 - b) Projector OFF

LOGIC CHART No. 4A

Configuration:

- SPA-5A with SD-1 dimmer
- No options
- "Intermission Stop" programmed

1. Press START Switch
 - a) Projector ON
 - b) Lamphouse IGNITE
 - c) Lights HALF LEVEL
 - d) "Start of Show" Timer ON
2. After (7) Seconds
 - a) Picture Changeover OPEN
 - b) Exciter Lamp ON
 - c) Non-Sync Sound OFF
 - d) "Start of Show" Timer OFF
3. First Outboard Cue
 - a) Switch to STEREO (if programmed)
 - b) Lights DIM
4. Second Outboard Cue
 - a) Lights HALF LEVEL
5. Inboard Cue
 - a) Lights BRIGHT
 - b) "End of Show" Timer ON
6. After (7) Seconds
 - a) Picture Changeover CLOSE
 - b) Exciter Lamp OFF
 - c) Non-Sync Sound ON
 - d) "End of Show" Timer OFF
 - e) Lamphouse OFF
 - f) Projector OFF

LOGIC CHART No. 5

Configuration:

- SPA-5A with SD-1 dimmer
- With CM Curtain Module
- No "Intermission Stop" programmed

1. Press START Switch
 - a) Projector ON
 - b) Lamphouse IGNITE
 - c) Lights HALF LEVEL
 - d) "Start of Show" Timer ON

2. After (7) Seconds
 - a) Picture Changeover OPEN
 - b) Exciter Lamp ON
 - c) Non-Sync Sound OFF
 - d) "Start of Show" Timer OFF
 - e) Initiate Curtains OPEN

3. First Outboard Cue
 - a) Curtains CLOSE (if "Curtain Call" programmed)
 - b) Switch to STEREO (if programmed & after 804 circuit board times out)
 - c) Lights DIM
 - d) Curtains RE-OPEN (if "Curtain Call" programmed)

4. Second Outboard Cue
 - a) Lights HALF LEVEL

5. Inboard Cue
 - a) Lights BRIGHT
 - b) "End of Show" Timer ON
 - c) Initiate Curtains CLOSE

6. After (7) Seconds
 - a) Picture Changeover CLOSE
 - b) Exciter Lamp OFF
 - c) Non-Sync Sound ON
 - d) "End of Show" Timer OFF

7. Film Run-Out
 - a) Lamphouse OFF
 - b) Projector OFF

LOGIC CHART No. 5A

Configuration:

- SPA-5A with SD-1 dimmer
- With CM Curtain Module
- "Intermission Stop" programmed

1. Press START Switch
 - a) Projector ON
 - b) Lamphouse IGNITE
 - c) Lights HALF LEVEL
 - d) "Start of Show" Timer ON

2. After (7) Seconds
 - a) Picture Changeover OPEN
 - b) Exciter Lamp ON
 - c) Non-Sync Sound OFF
 - d) "Start of Show" Timer OFF
 - e) Initiate Curtains OPEN

3. First Outboard Cue
 - a) Curtains CLOSE (if "Curtain Call" programmed)
 - b) Switch to STEREO (if programmed & after 804 circuit board times out)
 - c) Lights DIM
 - e) Curtains RE-OPEN (if "Curtain Call" programmed)

4. Second Outboard Cue
 - a) Lights HALF LEVEL

5. Inboard Cue
 - a) Lights BRIGHT
 - b) "End of Show" Timer ON
 - c) Initiate Curtains CLOSE

6. After (7) Seconds
 - a) Picture Changeover CLOSE
 - b) Exciter Lamp OFF
 - c) Non-Sync Sound ON
 - d) "End of Show" Timer OFF
 - e) Lamphouse OFF
 - f) Projector OFF

LOGIC CHART No. 6

Configuration:

- SPA-5A with SD-1 dimmer
- With FM Format Module
- No "Intermission Stop" programmed

1. Press START Switch
 - a) Projector ON
 - b) Lamphouse IGNITE
 - c) Lights HALF LEVEL
 - d) "Start of Show" Timer ON
2. After (7) Seconds
 - a) Picture Changeover OPEN
 - b) Exciter Lamp ON
 - c) Non-Sync Sound OFF
 - d) "Start of Show" Timer OFF
3. First Outboard Cue
 - a) Lens Turret & Masking CHANGE (if programmed)
 - b) Switch to STEREO (if programmed)
 - c) Lights DIM
4. Second Outboard Cue
 - a) Lights HALF LEVEL
5. Inboard Cue
 - a) Lights BRIGHT
 - b) "End of Show" Timer ON
6. After (7) Seconds
 - a) Picture Changeover CLOSE
 - b) Exciter Lamp OFF
 - c) Non-Sync Sound ON
 - d) "End of Show" Timer OFF
 - e) Lens Turret & Masking Return to START Position (if programmed)
7. Film Run-Out
 - a) Lamphouse OFF
 - b) Projector OFF

LOGIC CHART No. 6A

Configuration:

- SPA-5A with SD-1 dimmer
- With FM Format Module
- "Intermission Stop" programmed

1. Press START Switch
 - a) Projector ON
 - b) Lamphouse IGNITE
 - c) Lights HALF LEVEL
 - d) "Start of Show" Timer ON

2. After (7) Seconds
 - a) Picture Changeover OPEN
 - b) Exciter Lamp ON
 - c) Non-Sync Sound OFF
 - d) "Start of Show" Timer OFF

3. First Outboard Cue
 - a) Lens Turret & Masking CHANGE (if programmed)
 - b) Switch to STEREO (if programmed)
 - c) Lights DIM

4. Second Outboard Cue
 - a) Lights HALF LEVEL

5. Inboard Cue
 - a) Lights BRIGHT
 - b) "End of Show" Timer ON

6. After (7) Seconds
 - a) Picture Changeover CLOSE
 - b) Exciter Lamp OFF
 - c) Non-Sync Sound ON
 - d) "End of Show" Timer OFF
 - e) Lamphouse OFF
 - f) Projector OFF
 - g) Lens Turret & Masking CHANGE to Start Position (if programmed)

LOGIC CHART No. 7

Configuration:

- SPA-5A with SD-2 dimmer
- No options
- No "Intermission Stop" programmed

1. Press START Switch
 - a) Projector ON
 - b) Lamphouse IGNITE
 - c) Lights: Stage DIM, House HALF LEVEL
 - d) "Start of Show" Timer ON
2. After (7) Seconds
 - a) Picture Changeover OPEN
 - b) Exciter Lamp ON
 - c) Non-Sync Sound OFF
 - d) "Start of Show" Timer OFF
3. First Outboard Cue
 - a) Switch to STEREO (if programmed)
 - b) Lights: House DIM
4. Second Outboard Cue
 - a) Lights: House HALF LEVEL
5. Inboard Cue
 - a) Lights: House BRIGHT, Stage BRIGHT
 - b) "End of Show" Timer ON
6. After (7) Seconds
 - a) Picture Changeover CLOSE
 - b) Exciter Lamp OFF
 - c) Non-Sync Sound ON
 - d) "End of Show" Timer OFF
7. Film Run-Out
 - a) Lamphouse OFF
 - b) Projector OFF

LOGIC CHART No. 7A

Configuration:

- SPA-5A with SD-2 dimmer
- No options
- "Intermission Stop" programmed

1. Press START Switch
 - a) Projector ON
 - b) Lamphouse IGNITE
 - c) Lights: Stage DIM, House HALF LEVEL
 - d) "Start of Show" Timer ON
2. After (7) Seconds
 - a) Picture Changeover OPEN
 - b) Exciter Lamp ON
 - c) Non-Sync Sound OFF
 - d) "Start of Show" Timer OFF
3. First Outboard Cue
 - a) Switch to STEREO (if programmed)
 - b) Lights: House DIM
4. Second Outboard Cue
 - a) Lights: House HALF LEVEL
5. Inboard Cue
 - a) Lights: House BRIGHT, Stage BRIGHT
 - b) "End of Show" Timer ON
6. After (7) Seconds
 - a) Picture Changeover CLOSE
 - b) Exciter Lamp OFF
 - c) Non-Sync Sound ON
 - d) "End of Show" Timer OFF
 - e) Lamphouse OFF
 - f) Projector OFF

LOGIC CHART No. 8

Configuration:

- SPA-5A with SD-2 dimmer
- With CM Curtain Module
- No "Intermission Stop" programmed

1. Press START Switch
 - a) Projector ON
 - b) Lamphouse IGNITE
 - c) Lights: Stage DIM, House HALF LEVEL
 - d) "Start of Show" Timer ON
2. After (7) Seconds
 - a) Picture Changeover OPEN
 - b) Exciter Lamp ON
 - c) Non-Sync Sound OFF
 - d) "Start of Show" Timer OFF
 - e) Initiate Curtains OPEN
3. First Outboard Cue
 - a) Curtains CLOSE (if "Curtain Call" programmed)
 - b) Switch to STEREO (if programmed & after 804 circuit board times out)
 - c) Lights: House DIM
 - d) Curtains RE-OPEN (if "Curtain Call" programmed)
4. Second Outboard Cue
 - a) Lights: House HALF LEVEL
5. Inboard Cue
 - a) Lights: House BRIGHT, Stage BRIGHT
 - b) "End of Show" Timer ON
 - c) Initiate Curtains CLOSE
6. After (7) Seconds
 - a) Picture Changeover CLOSE
 - b) Exciter Lamp OFF
 - c) Non-Sync Sound ON
 - d) "End of Show" Timer OFF
7. Film Run-Out
 - a) Lamphouse OFF
 - b) Projector OFF

LOGIC CHART No. 8A

Configuration:

- SPA-5A with SD-2 dimmer
- With CM Curtain Module
- "Intermission Stop" programmed

1. Press START Switch
 - a) Projector ON
 - b) Lamphouse IGNITE
 - c) Lights: Stage DIM, House HALF LEVEL
 - d) "Start of Show" Timer ON
2. After (7) Seconds
 - a) Picture Changeover OPEN
 - b) Exciter Lamp ON
 - c) Non-Sync OFF
 - d) "Start of Show" Timer OFF
 - e) Initiate Curtains OPEN
3. First Outboard Cue
 - a) Curtains CLOSE (if "Curtain Call" programmed)
 - b) Switch to STEREO (if programmed & after 804 circuit board times out)
 - c) Lights: House DIM
 - d) Curtains RE-OPEN (if "Curtain Call" programmed)
4. Second Outboard Cue
 - a) Lights: House HALF LEVEL
5. Inboard Cue
 - a) Lights: House BRIGHT, Stage BRIGHT
 - b) "End of Show" Timer ON
 - c) Initiate Curtains CLOSE
6. After (7) Seconds
 - a) Picture Changeover CLOSE
 - b) Exciter Lamp OFF
 - c) Non-Sync Sound ON
 - d) "End of Show" Timer OFF
 - e) Lamphouse OFF
 - f) Projector OFF

LOGIC CHART No. 9

Configuration:

- SPA-5A with SD-2 dimmer
- With FM Format Module
- No "Intermission Stop" programmed

1. Press START Switch
 - a) Projector ON
 - b) Lamphouse IGNITE
 - c) Lights: Stage DIM, House HALF LEVEL
 - d) "Start of Show" Timer ON
2. After (7) Seconds
 - a) Picture Changeover OPEN
 - b) Exciter Lamp ON
 - c) Non-Sync Sound OFF
 - d) "Start of Show" Timer OFF
3. First Outboard Cue
 - a) Lens Turret & Masking CHANGE (if programmed)
 - b) Switch to STEREO (if programmed)
 - c) Lights: House DIM
4. Second Outboard Cue
 - a) Lights: House HALF LEVEL
5. Inboard Cue
 - a) Lights: House BRIGHT, Stage BRIGHT
 - b) "End of Show" Timer ON
6. After (7) Seconds
 - a) Picture Changeover CLOSE
 - b) Exciter Lamp OFF
 - c) Non-Sync Sound ON
 - d) "End of Show" Timer OFF
 - e) Lens Turret & Masking return to start position (if programmed)
7. Film Run-Out
 - a) Lamphouse OFF
 - b) Projector OFF

LOGIC CHART No. 9A

Configuration:

- SPA-5A with SD-2 dimmer
- With FM Format Module
- "Intermission Stop" programmed

1. Press START Switch
 - a) Projector ON
 - b) Lamphouse IGNITE
 - c) Lights: Stage DIM, House HALF LEVEL
 - d) "Start of Show" Timer ON
2. After (7) Seconds
 - a) Picture Changeover OPEN
 - b) Exciter Lamp ON
 - c) Non-Sync Sound OFF
 - d) "Start of Show" Timer OFF
3. First Outboard Cue
 - a) Lens Turret & Masking CHANGE (if programmed)
 - b) Switch to STEREO (if programmed)
 - c) Lights: House DIM
4. Second Outboard Cue
 - a) Lights: House HALF LEVEL
5. Inboard Cue
 - a) Lights: House BRIGHT, Stage BRIGHT
 - b) "End of Show" Timer ON
6. After (7) Seconds
 - a) Picture Changeover CLOSE
 - b) Exciter Lamp OFF
 - c) Non-Sync Sound ON
 - d) "End of Show" Timer OFF
 - e) Lamphouse OFF
 - f) Projector OFF
 - g) Lens Turret & Masking return to start position (if programmed)

SPA-5A CONTROL BOARD TIMING SETTINGS

Timer Board 301

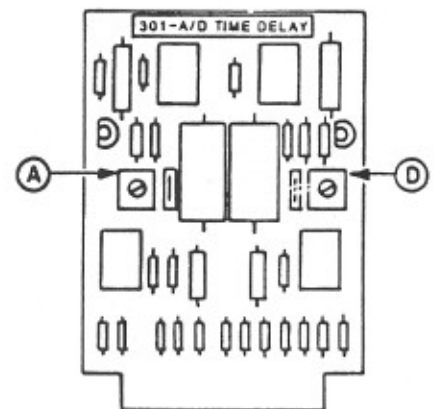
The 301 circuit board is standard on all SPA-5A automation units. This circuit board contains two adjustable timing circuits; one to control show start, and one to control show closing. These timers are adjustable from 2 seconds to 15 seconds, and both are factory pre-set to approximately 7 seconds.

Start of Show Timer "A"

This timer is located on the left hand side of the 301 circuit board, component side, as viewed with the circuit tracks pointing down. This timer is used to time the delay between pressing the START switch and actuating the sound/picture changeover projecting the presentation on screen. Turning this potentiometer clockwise lengthens the delay.

End of Show Timer "D"

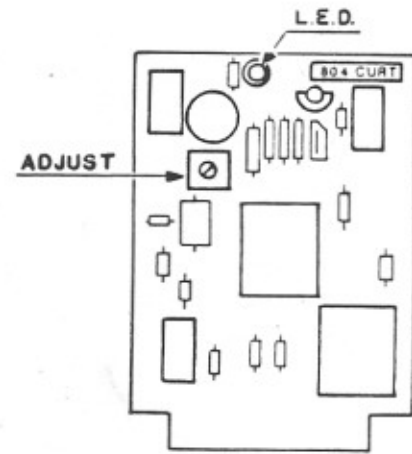
This timer is located on the right hand side of the 301 circuit board, component side, as viewed with the circuit tracks pointed down. This timer is used to set the delay from sensing the "End of Show" inboard cue until the sound/picture changeover, removing the picture from the screen and switching the non-sync sound on. Turning this potentiometer clockwise lengthens the delay.



804 Curtain Module Timer (Optional CM Module Required)

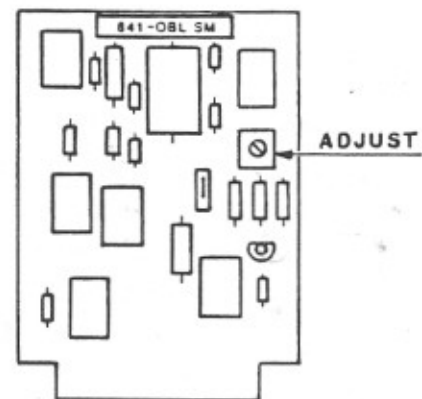
The optional 804 Curtain Module contains one timer circuit. This circuit is used for the "Curtain Call" feature and other subsequent program features required after the first outboard cue is detected, such as STEREO CHANGE or FORMAT CHANGE. When "Curtain Call" is programmed, all additional programmed functions will not occur until the timer on the 804 board times out. This time is adjustable (two to thirty seconds), and a L.E.D. indicator on the board lights when the timer is on. This timer allows the curtains to fully close when "Curtain Call" is programmed, and after the timer times out, any subsequent functions will execute and the curtains will re-open. Turning this potentiometer clockwise increases the length of time required for full curtain closure.

NOTE: ADC Curtain Controllers require two seconds after stopping before they can move the curtains again. Allow for this additional time when setting the 804 timer.



841 Outboard Logic Timer

This circuit board contains one timer which is used in conjunction with the optional FM Format Module. The purpose of this timer is to set the length of time required to complete a lens/aperture change before the picture changeover re-opens. The picture changeover closes at the start of a format change, and re-opens when the timer on this board times out. Turning this potentiometer clockwise increases the length of time the changeover remains closed during the format change.



SPECIAL ADAPTATION SECTION

Kintech Stereo System Connections

The SPA-5A is designed to switch both the Kintech 700 and 2010 series sound systems without additional stereo system modules. Please refer to the appropriate Kintech series manual for proper connections to the Kintech unit, should they change subsequent to the publication of this manual.

KT-700 Series Sound System Connections

<u>SPA-5A</u>	<u>Kintech</u>
Term. 13	TB7 Term. 6 "Ground"
Term. 14	TB7 Term. 3 "Proj. #1"
Term. 15	TB7 Term. 2 "Non-Sync"
Term. 45	TB1 Term. 1
Term. 47	TB1 Term. 2

KT-2010 Series Sound System Connections

<u>SPA-5A</u>	<u>Kintech</u>
Term. 13	Term. 11
Term. 10	Term. 10
Term. 46	Term. 9
Term. 47	Term. 8

Dolby CP-55 and CP-200 Connections

The optional DSM Module must be used with the SPA-5A to correctly switch the Dolby CP-55 and CP-200 stereo processors. The DSM Module provides the pulsed type logic required by these processors for proper switching.

CP-55 Sound System Connections

<u>SPA-5A</u>	<u>CP-55</u>
Term. 48	TB2 Term. 11
Term. 49	TB2 Term. 2
Term. 46	TB2 Term. 6
Term. 47	TB2 Term. 8

Special Adaptation Section (con't)

CP-200 Sound System Connections

<u>SPA-5A</u>	<u>CP-200</u>
Term. 48	BS21 Term. 11
Term. 49	BS21 Term. 10
Term. 46	BS21 Term. 8
Term. 47	BS21 Term. 7

(See CP-200 Connection Drawing for "Go Input" circuit.)

NOTES:

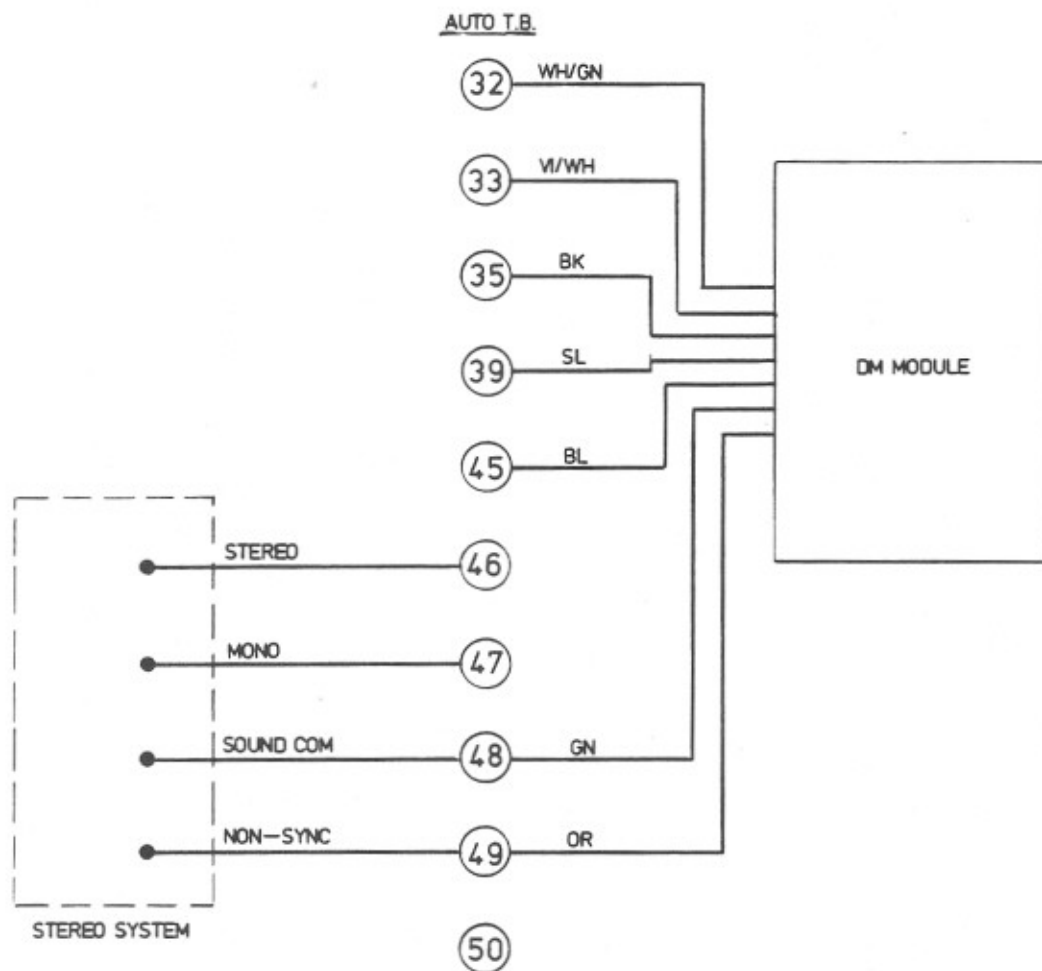
1. "Stereo" Format assumes Dolby "04" format selection, Optical Stereo with Surround.
2. Assumes SPA-5A equipped with optional DSM Module for pulse-type sound switching.
3. All pulses are momentary "dry" contacts.
4. CP-55 requires Cat. No. 321 Automation Interface Board supplied by Dolby Labs.
5. CP-200 modification is user supplied to apply simultaneous pulse to format selected and the "Go Input". IN4004 diodes are sufficient.
6. Processor should be locked to "Projector 1" input (refer to Dolby manual).

Using the SPA-5A with a Motorized Dimmer

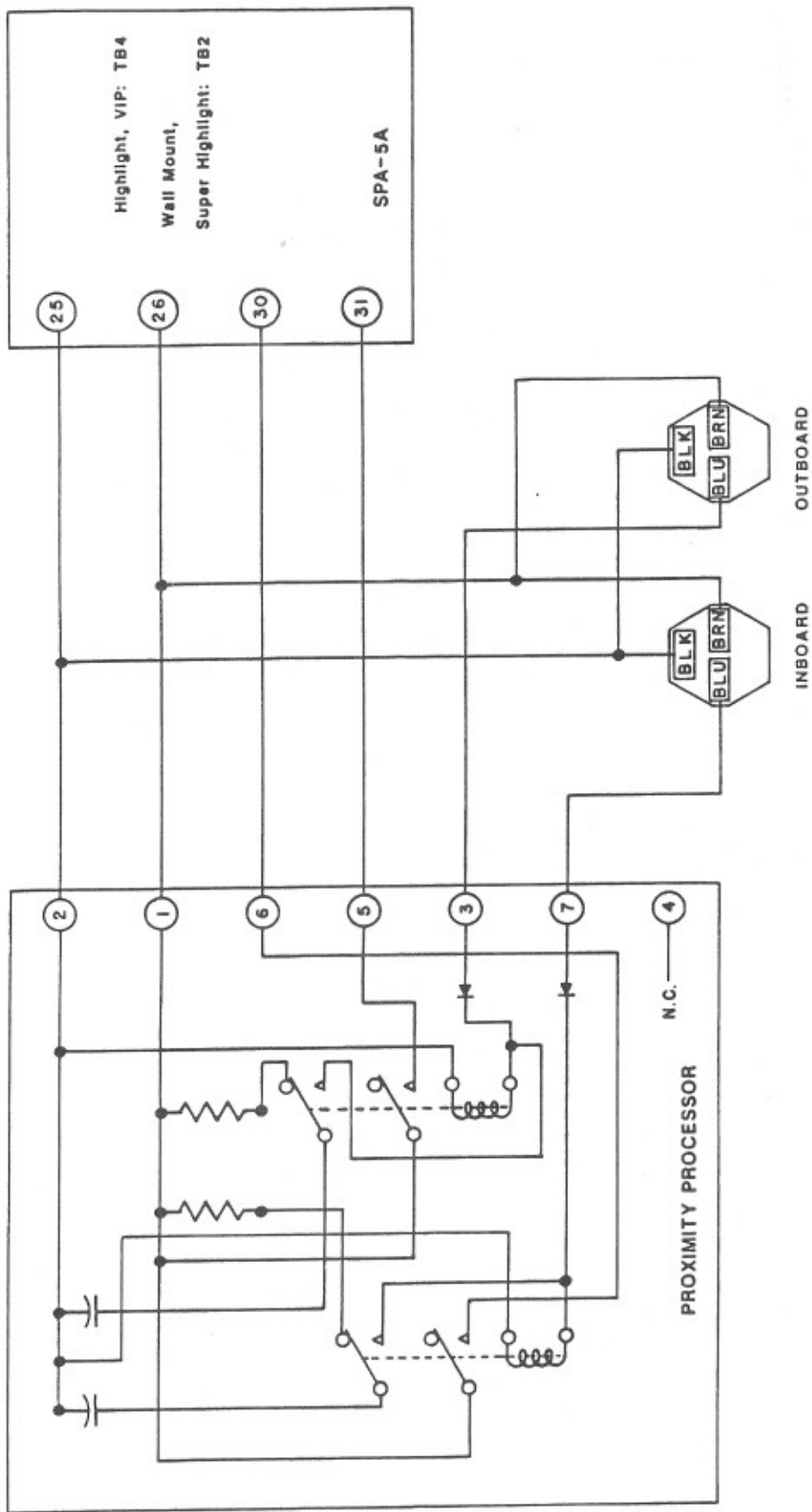
The SPA-5A can be used with a motorized (Luxtrol) type dimmer. To accomplish this requires the addition of a latching type relay which can be obtained from Strong; or if the auditorium does not include curtains, the motorized dimmer can be controlled by means of an optional CM Curtain Module. Auditorium configuration determines the method used.

Using the SPA-5A with Proximity Cue Detector

The SPA-5A can be used with proximity cue detectors in place of the standard cue detector supplied if desired. Strong manufactures an economical circuit to permit such use. This circuit may be specified at the time of the original equipment order, or may be added at a later date. Strong must be provided with a Specification Data Sheet on the proximity detector to be used at the time of ordering to insure proper operation of the automation system with that detector.

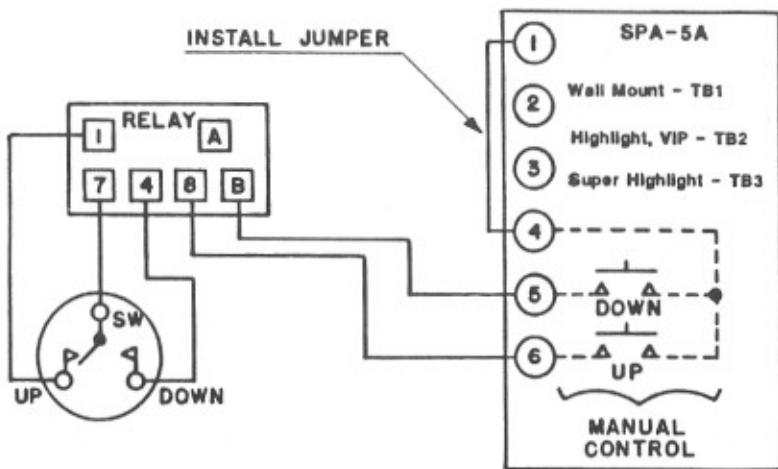


DM MODULE
INSTALLATION



SPA-5A With Proximity Cue Detector

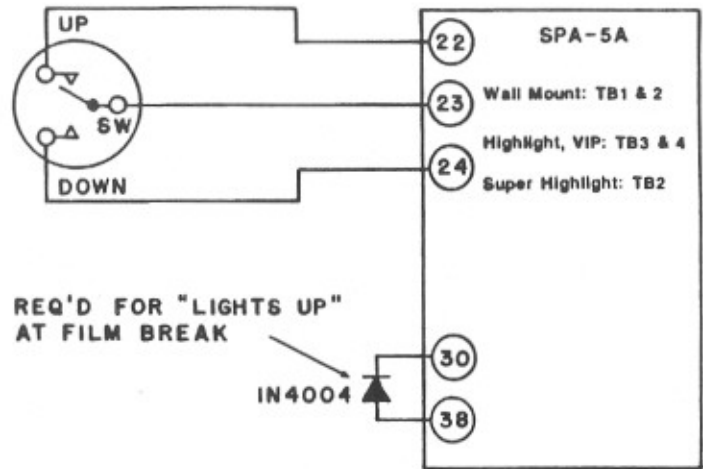
Motorized Dimmer Control with Latching Relay



4	1					A	7
5	2						8
6	3					B	9

RELAY CONFIGURATION

Motorized Dimmer Control with CM Module



NOTE: This method cannot be used with systems using the SPAR Remote.

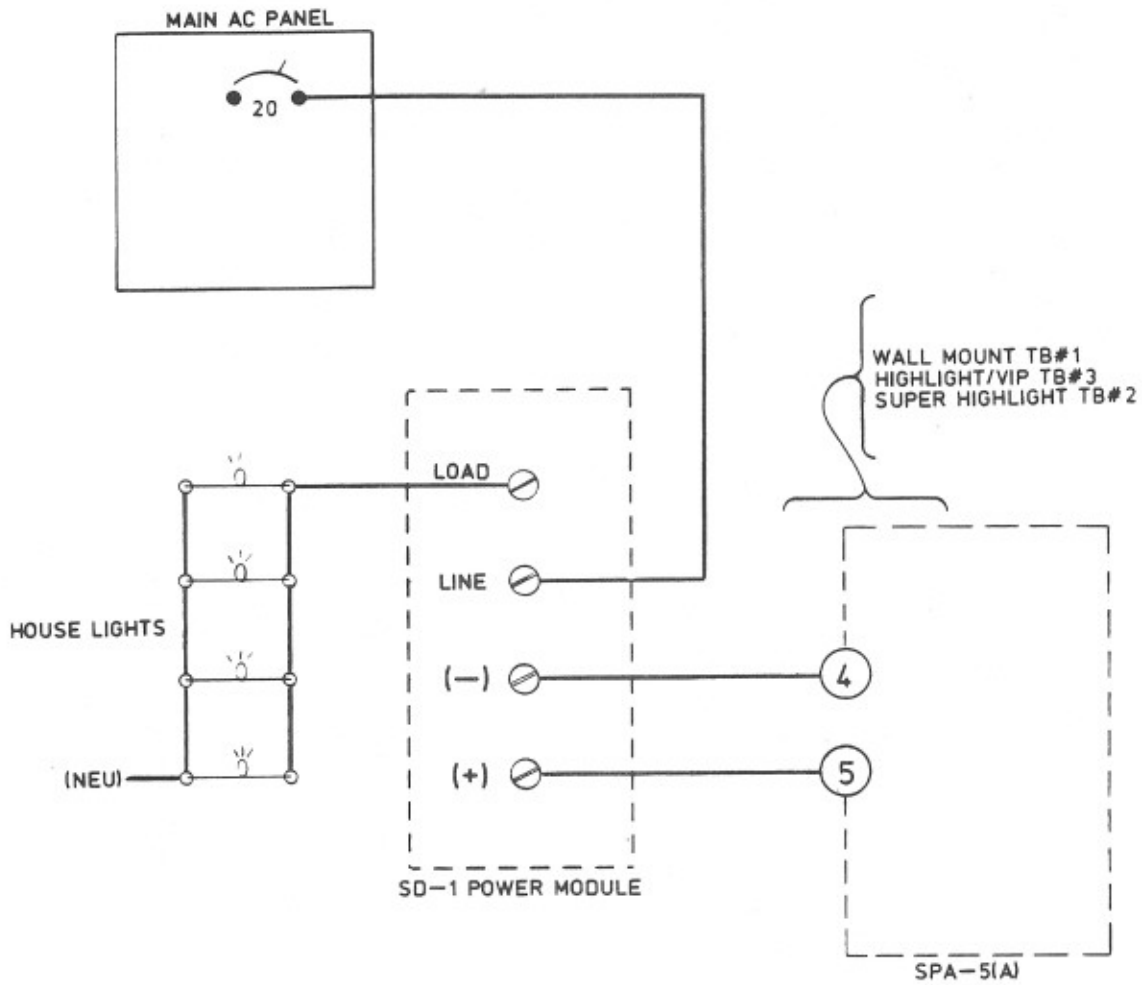
Requires optional CM Curtain Module for LIGHTS instead of CURTAINS.

Sequence: C/O douser OPEN - Lights DIM

Inboard Cue - Lights UP

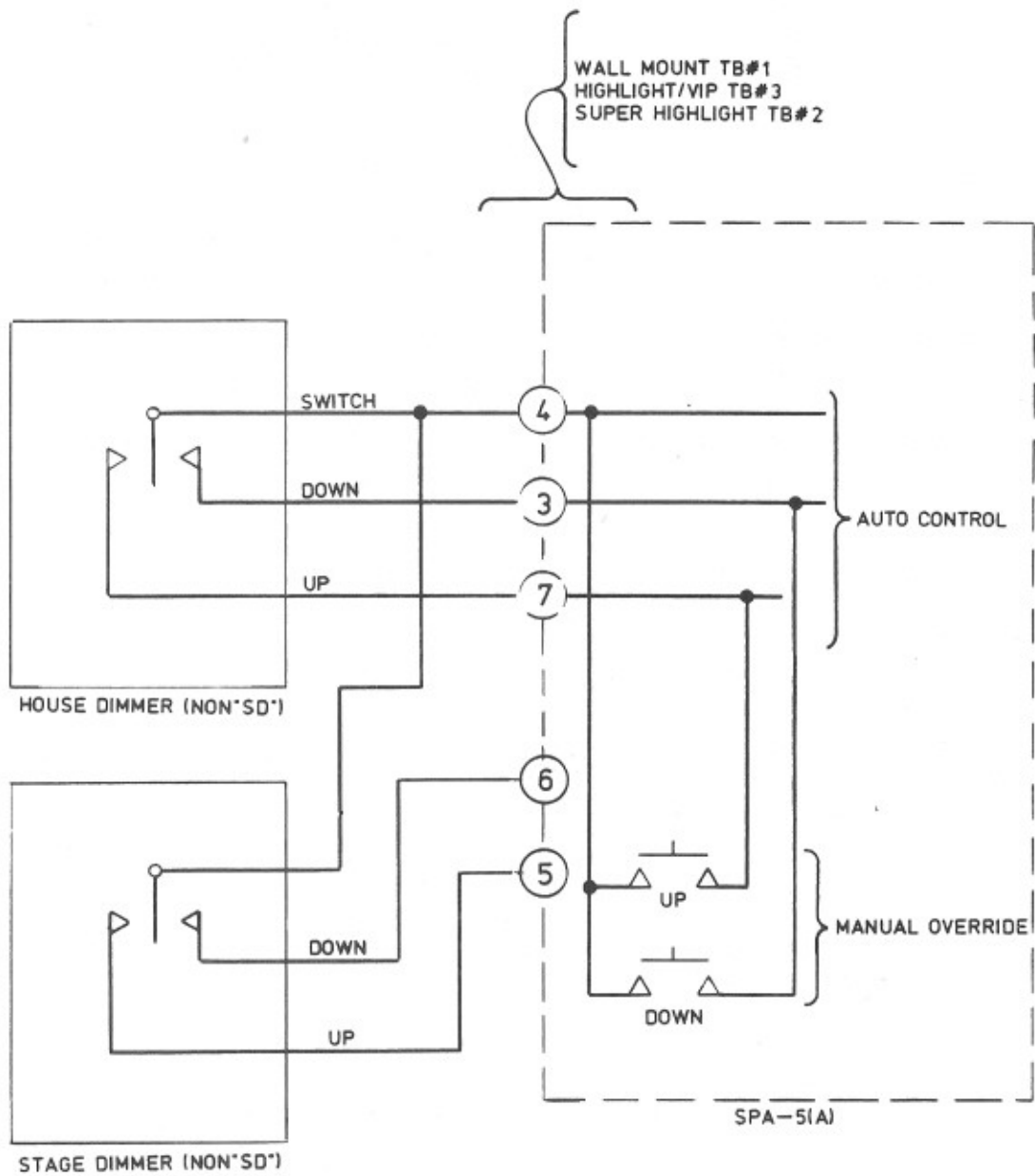
SPA-5A WIRING DIAGRAMS

<u>Drawing No.</u>	<u>Description</u>
1	AC Input, Wall Mount
1A	AC Input, Highlight, VIP
1B	AC Input, Super Highlight
2	SD-2 Dimmer Circuit
3	SD-1 Dimmer Circuit
4	Other Manufacturer's Dimmer Circuit
5	Picture Changeover, 115 V.AC Pulse
6	Picture Changeover, Sustained Dry Contact
7	Non-Sync Sound Control Circuit
8	Exciter Lamp Control Circuit
9	Lamphouse Control Circuit
10	Projector Motor Control Circuit (Wall Mount)
10A	Projector Motor Control Circuit (Highlight, VIP)
10B	Projector Motor Control Circuit (Super Highlight)
11	Curtain Control Circuit (CM Module req'd.)
12	Failsafe/Cue Detector Circuit
13	Remote/Status Control Circuit (SPAR req'd.)
14	Interlock Operation (IM Module req'd.)
15	Stereo Switching, Latched
16	Stereo Switching, Pulsed (DSM Module req'd.)
17	Lens Turret & Masking Control Circuit (FM Module req'd.), Wall Mount
18	Lens Turret & Masking Control Circuit (FM Module req'd.), Highlight, Super Highlight, VIP

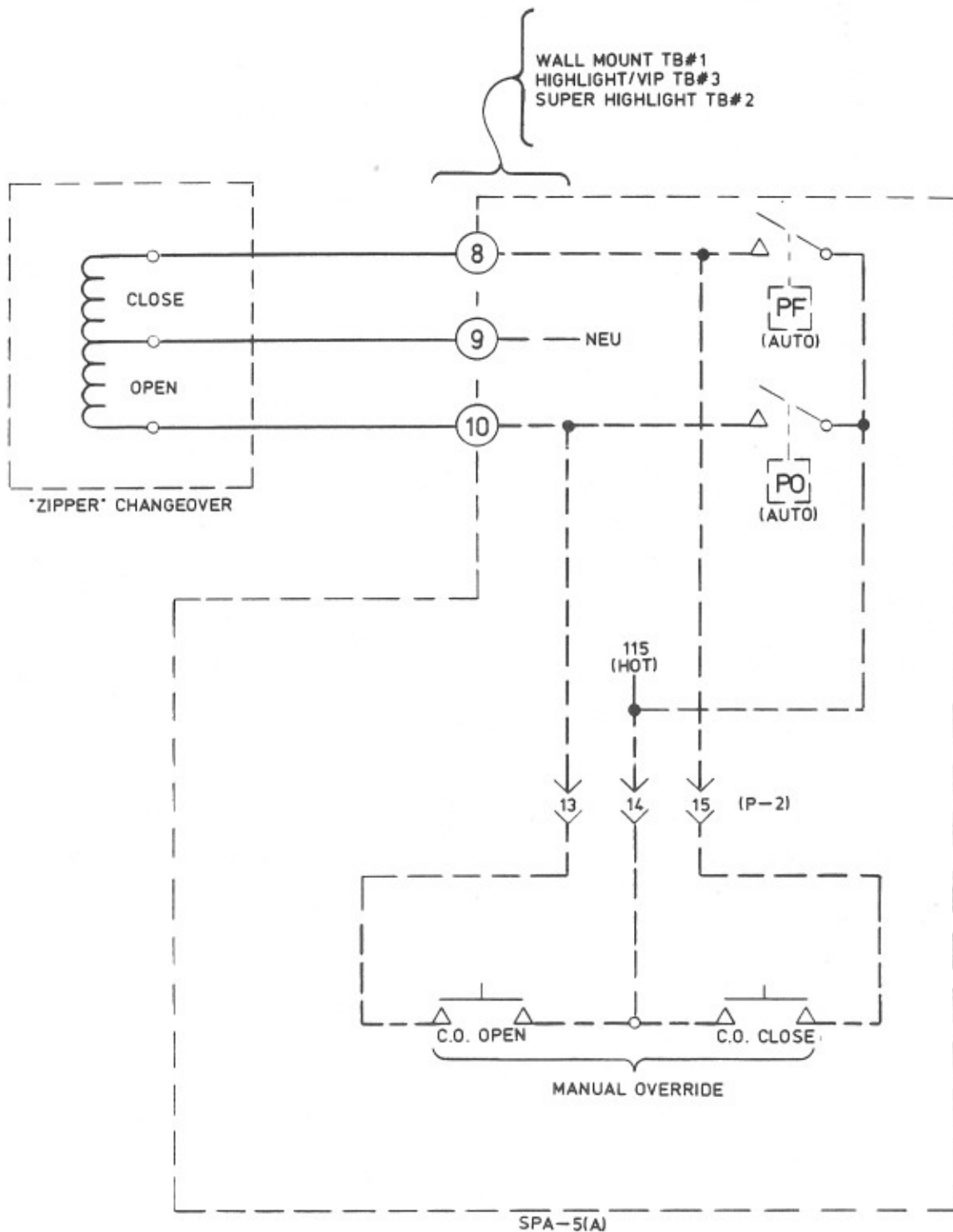


*NOTE:
REQUIRES OPTIONAL
SD-1 DIMMER

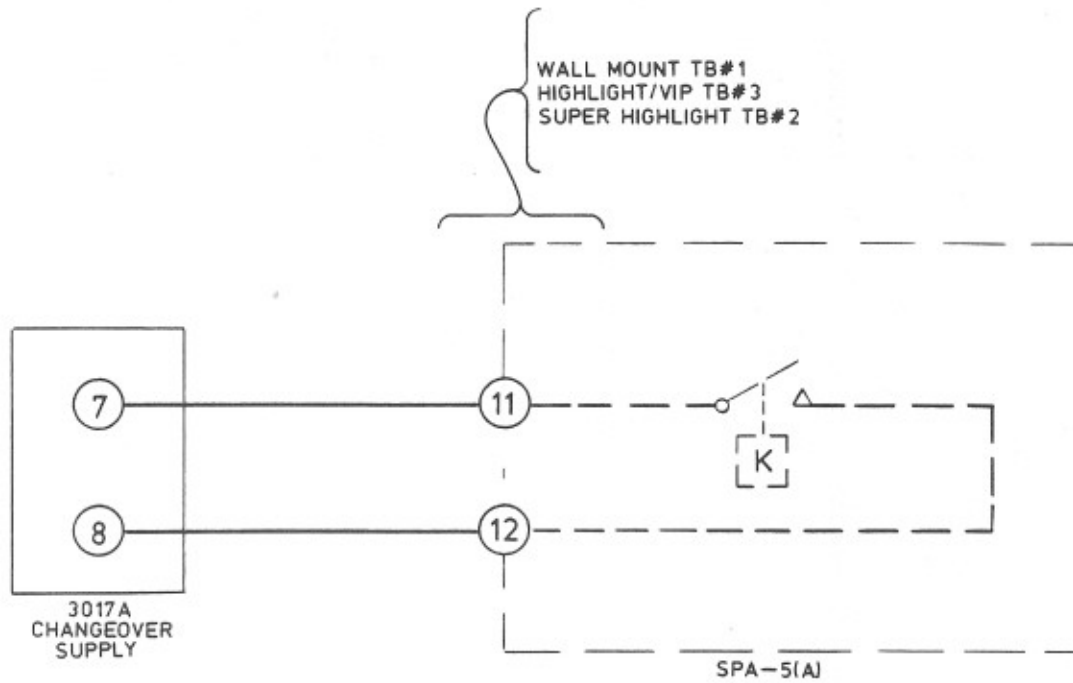
SPA-5(A)
SD-1 DIMMER CIRCUIT *
WALL MOUNT/HIGHLIGHT/VIP/SUPER HIGHLIGHT
DWG# SPA-5(A)-3



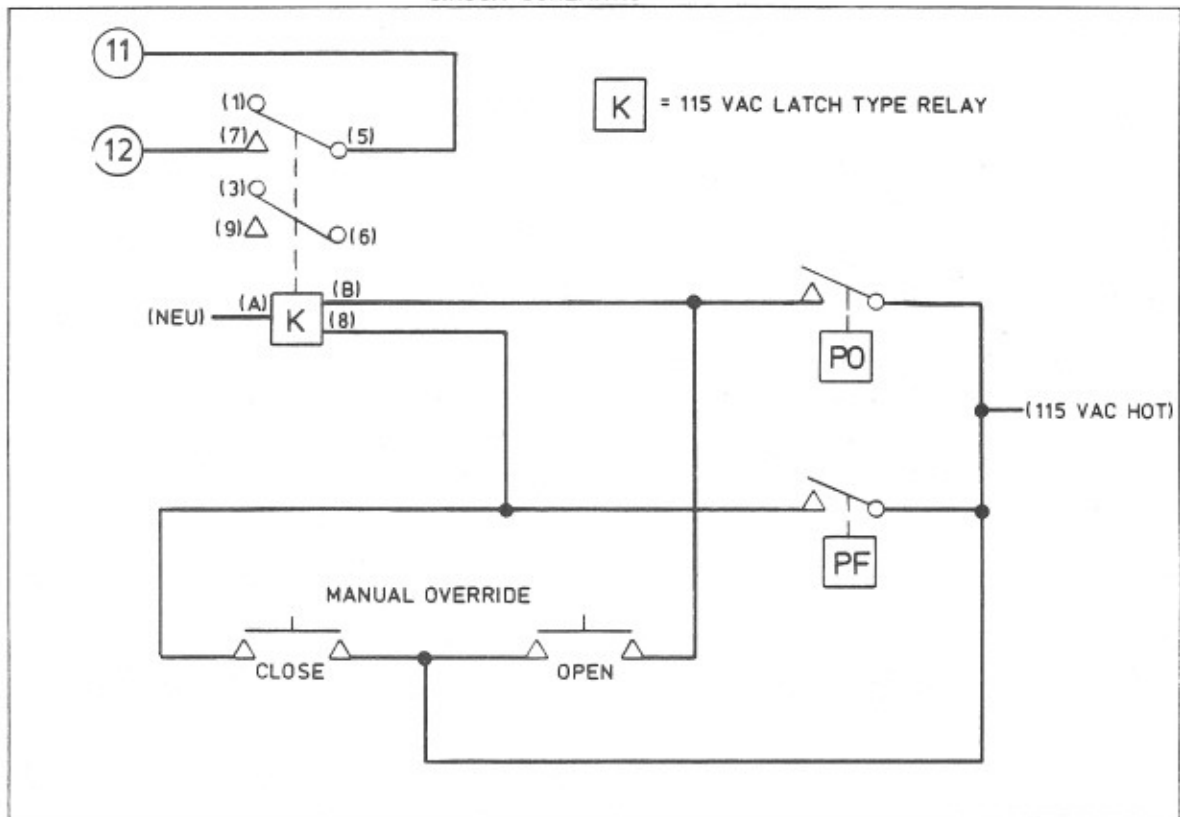
SPA-5(A)
NON STRONG DIMMER CIRCUIT
WALL MOUNT/HIGHLIGHT/VIP/SUPER HIGHLIGHT VERSION
DWG# SPA-5(A)- 4



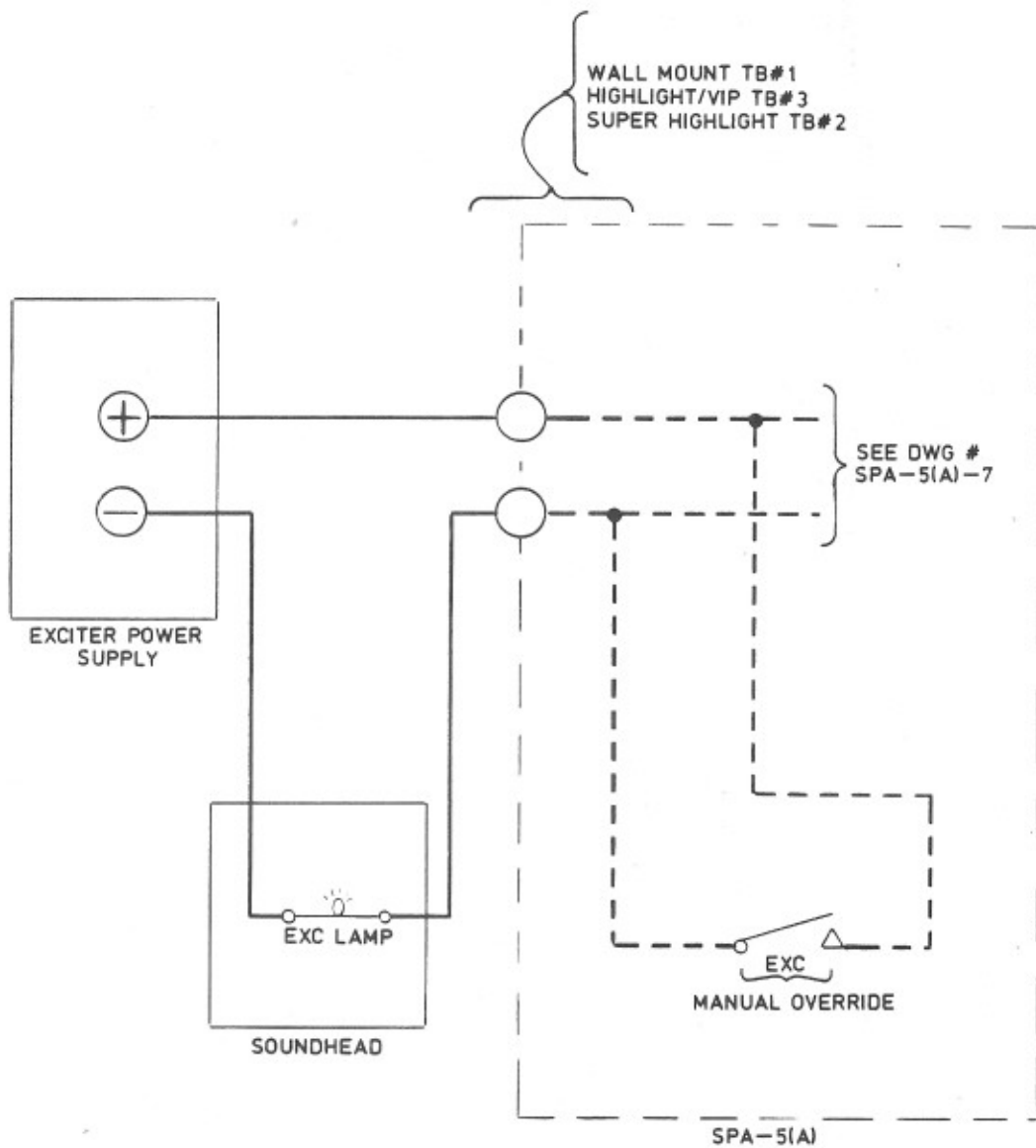
SPA-5(A)
 ZIPPER CHANGEOVER CIRCUIT
 WALL MOUNT/HIGHLIGHT/VIP/SUPER HIGHLIGHT VERSION
 DWG# SPA-5(A)-5



CIRCUIT SCHEMATIC

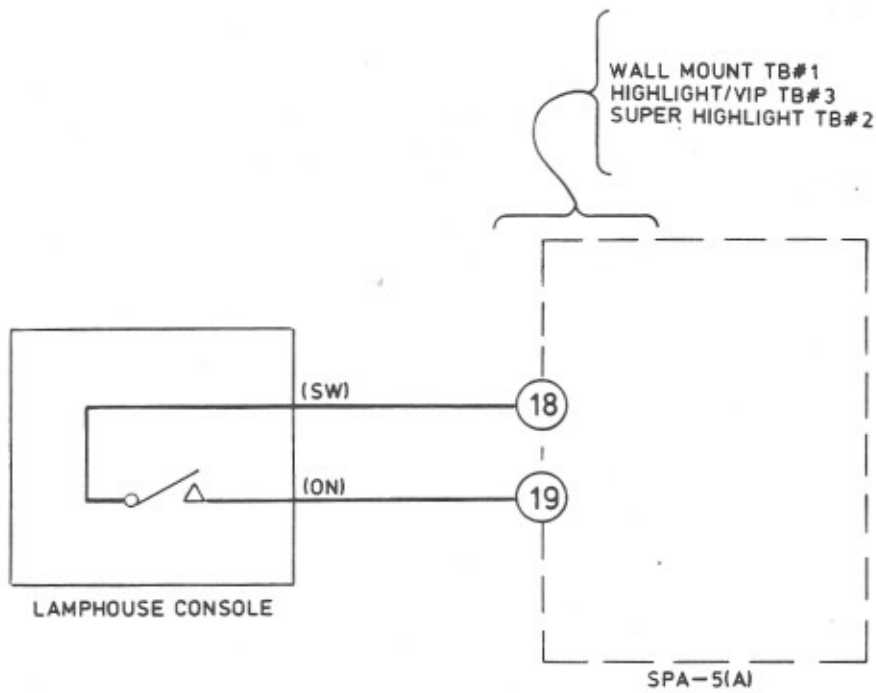


SPA-5(A)
BALLANTYNE CHANGEOVER CIRCUIT
WALL MOUNT/HIGHLIGHT/VIP/SUPER HIGHLIGHT VERSION
DWG# SPA-5(A)-6

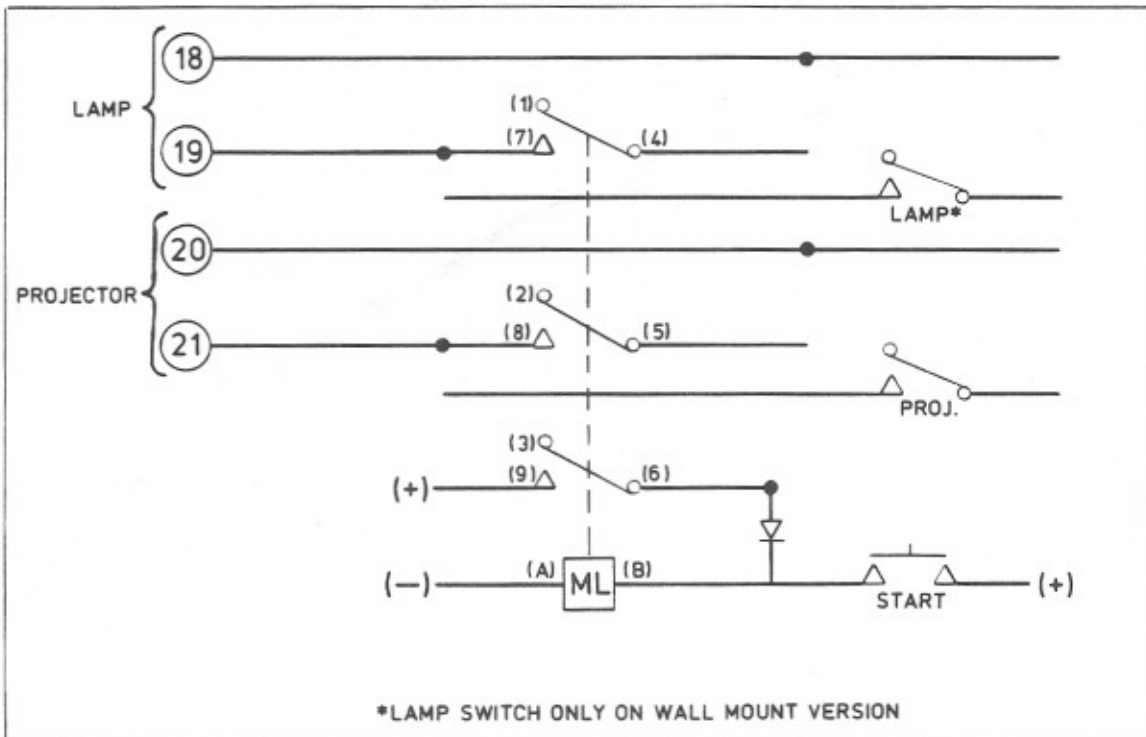


NOTE: FOR CIRCUIT SCHEMATIC SEE NON-SYNC
SOUND CIRCUIT DRAWING #SPA-5(A)-7

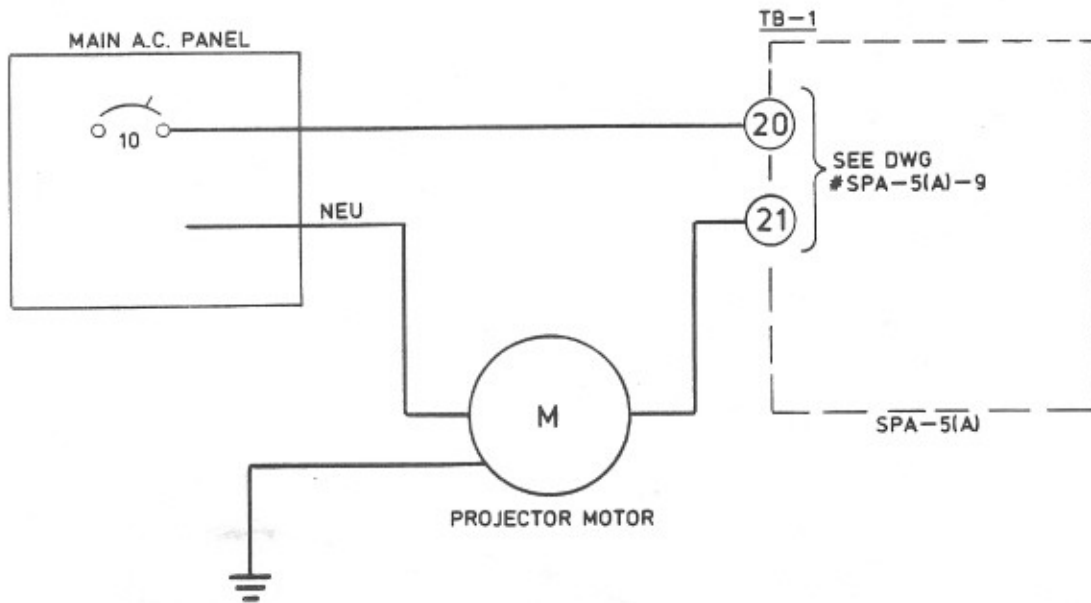
SPA-5(A)
EXCITER LAMP CONTROL CIRCUIT
WALL MOUNT/HIGHLIGHT/VIP/SUPER HIGHLIGHT VERSION
DWG# SPA-5(A)-8



CIRCUIT SCHEMATIC

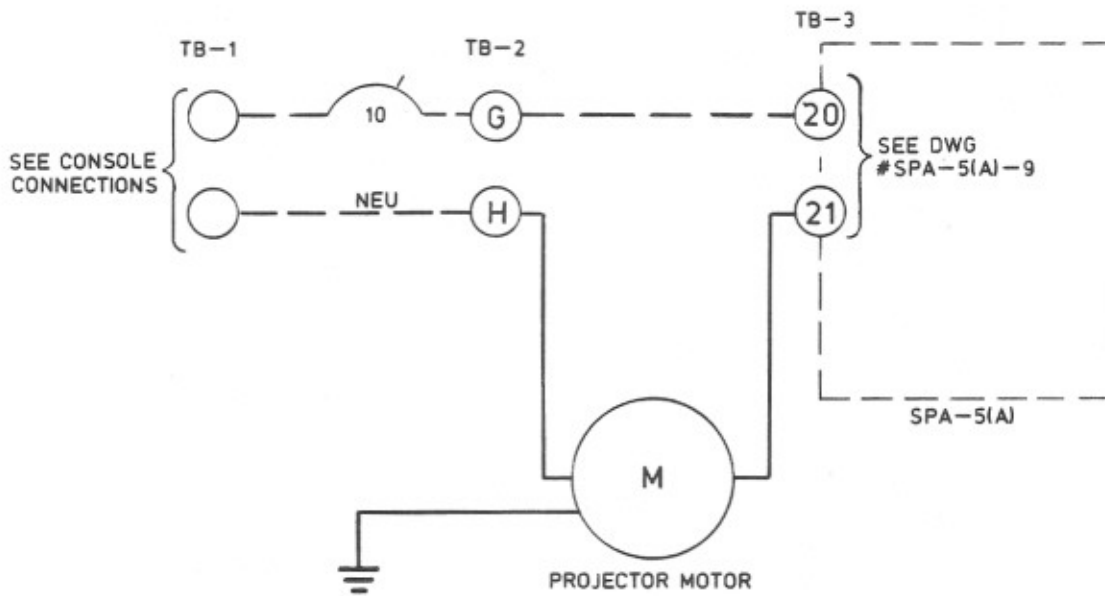


SPA-5(A)
LAMPHOUSE CONTROL CIRCUIT
WALL MOUNT/HIGHLIGHT/VIP/SUPER HIGHLIGHT VERSION
DWG# SPA-5(A)-9



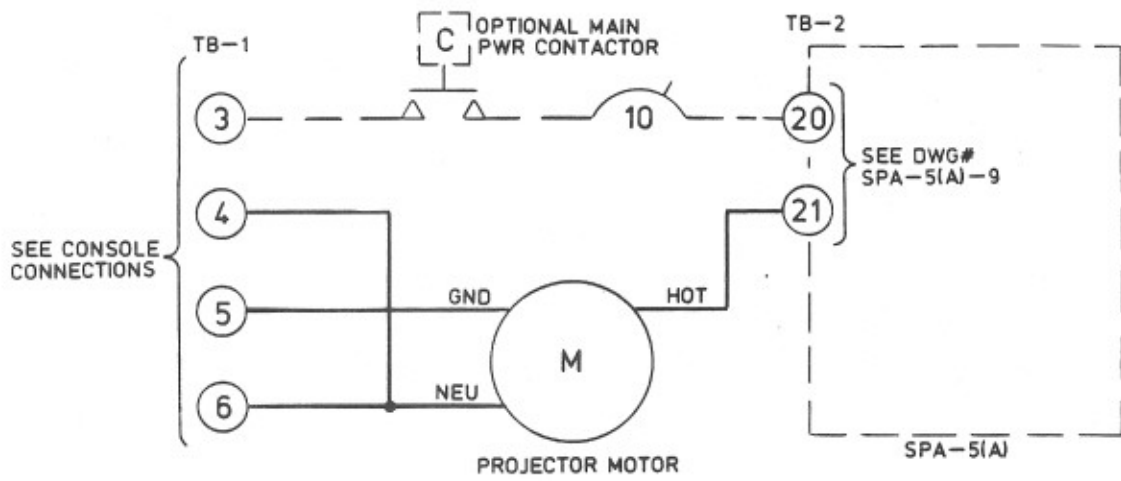
NOTE: FOR CIRCUIT SCHEMATIC SEE LAMPHOUSE
CONTROL CIRCUIT DRAWING #SPA-5(A)-9.

SPA-5(A)
PROJECTOR CONTROL CIRCUIT
WALL MOUNT VERSION
DWG# SPA-5(A)-10



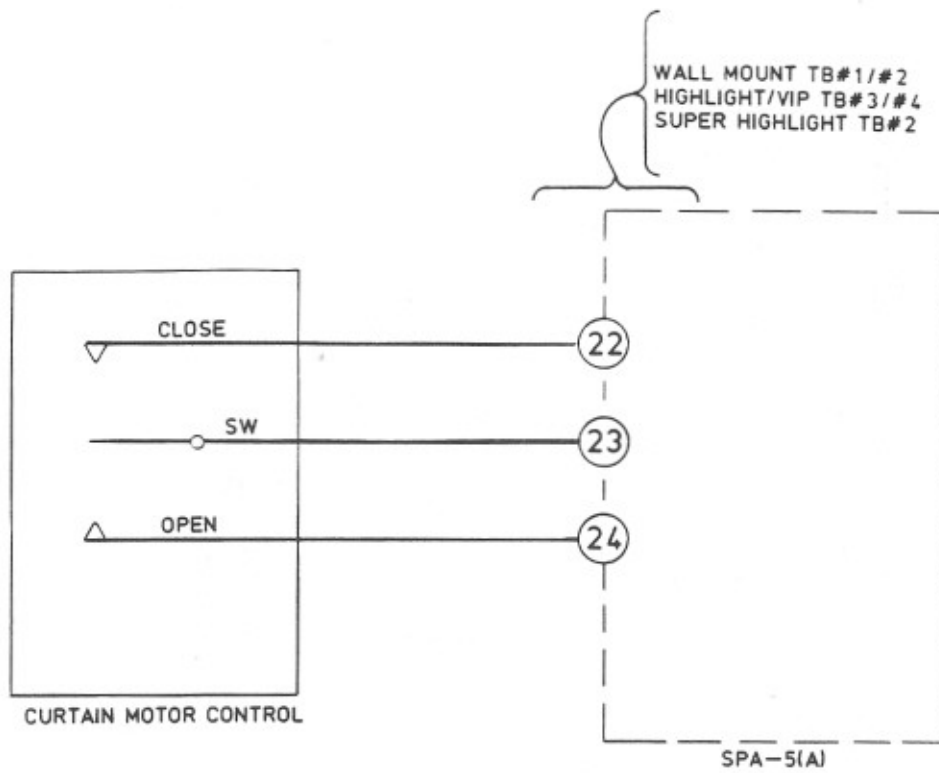
NOTES: ----- = FACTORY PREWIRED.
 FOR CIRCUIT SCHEMATIC SEE LAMPHOUSE CONTROL
 CIRCUIT DRAWING #SPA-5(A)-9.

SPA-5(A)
 PROJECTOR CONTROL CIRCUIT
 HIGHLIGHT/VIP VERSION
 DWG# SPA-5(A)-10A

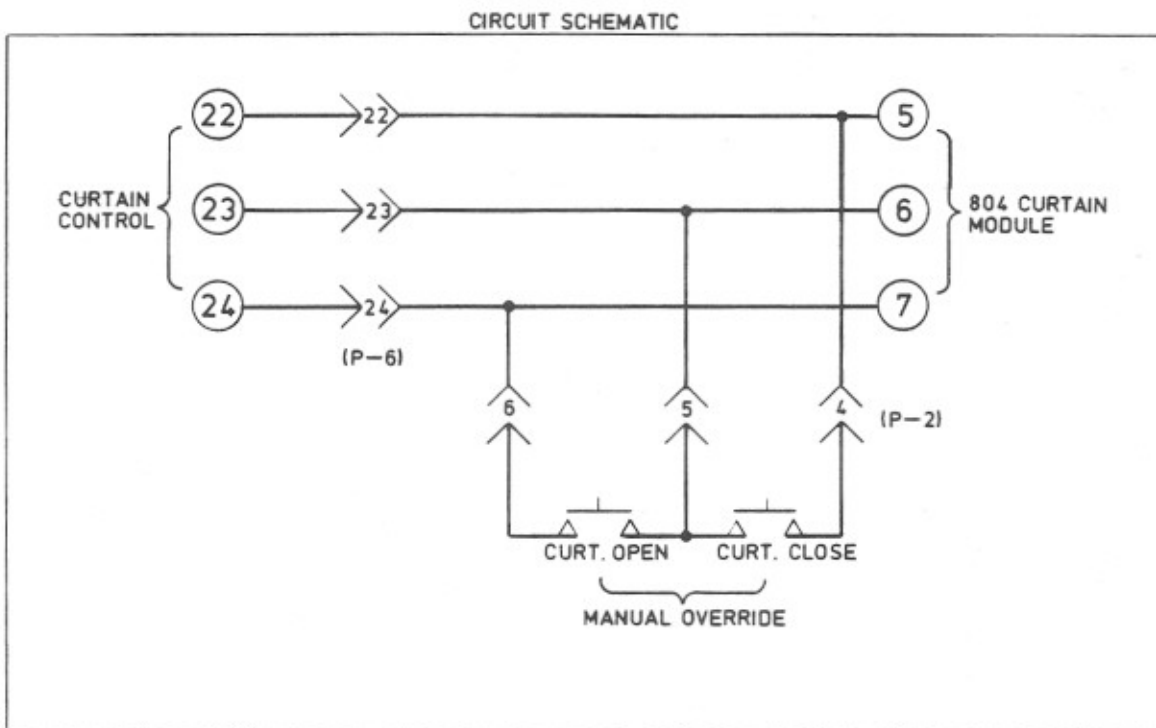


NOTES: ----- = FACTORY WIRED.
 FOR CIRCUIT SCHEMATIC SEE LAMPHOUSE CONTROL
 CIRCUIT DRAWING # SPA-5(A)-9.

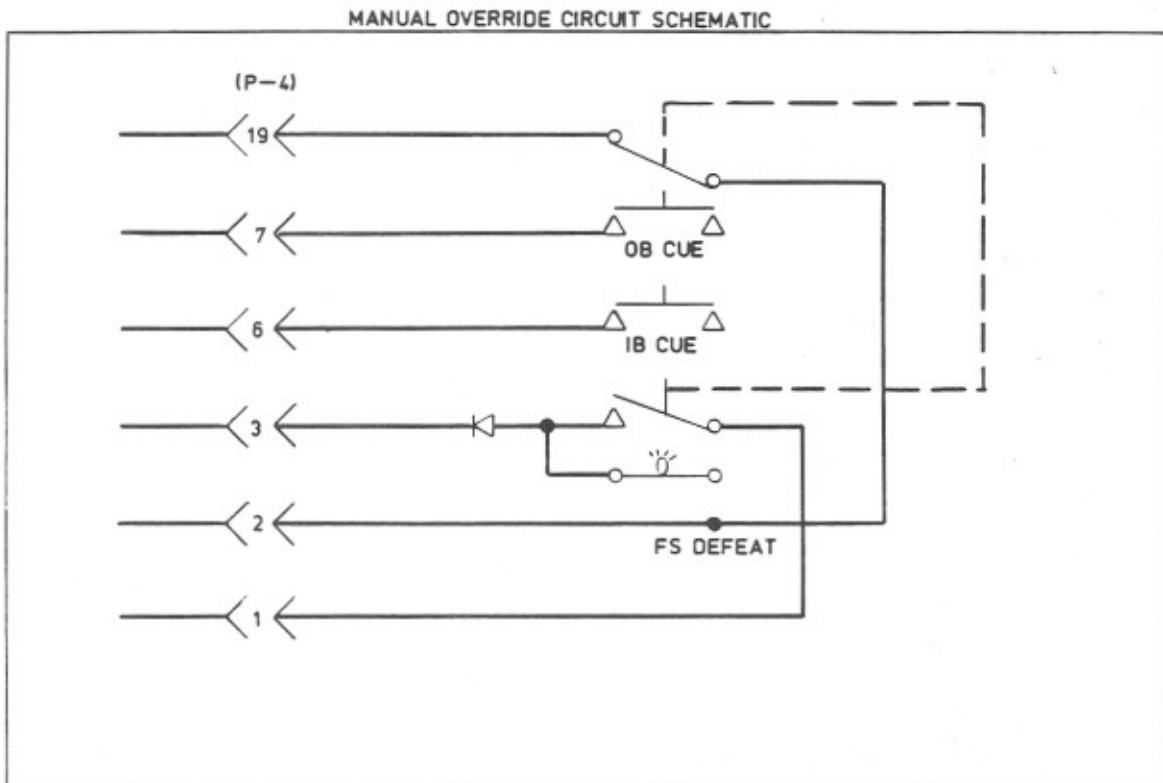
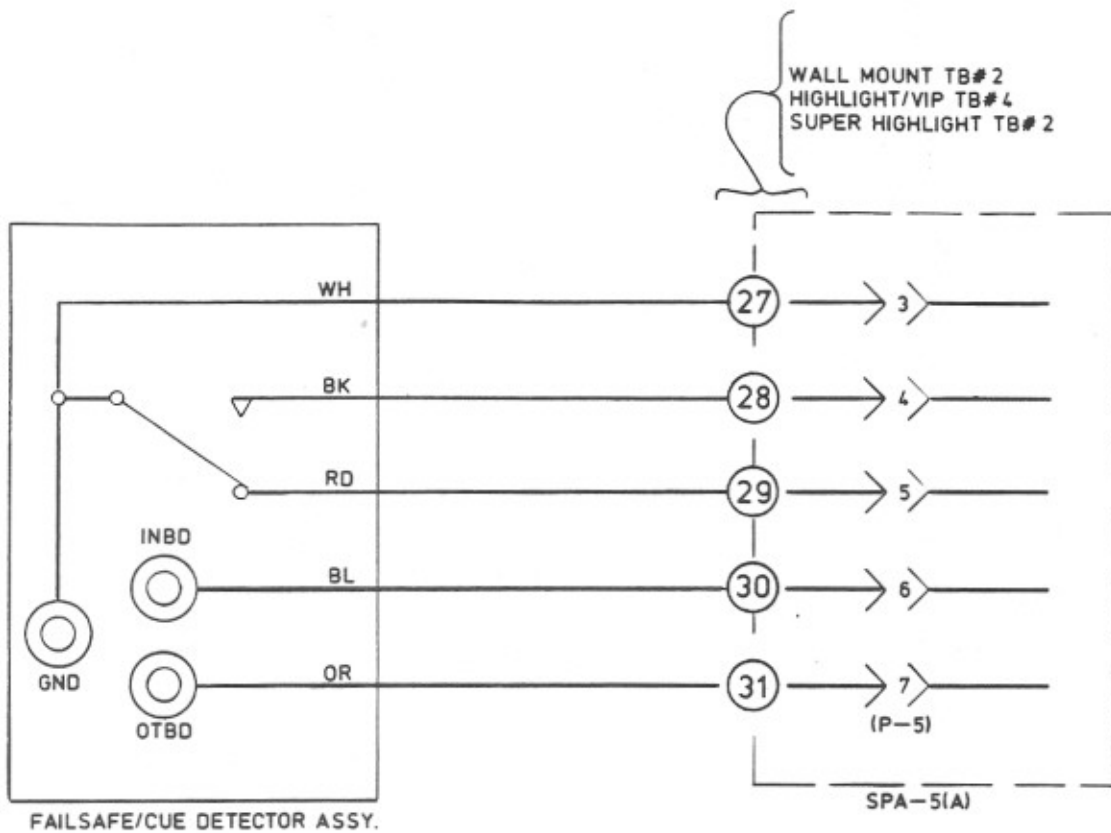
SPA-5(A)
 PROJECTOR CONTROL CIRCUIT
 SUPER HIGHLIGHT VERSION
 DWG# SPA-5(A)-10B



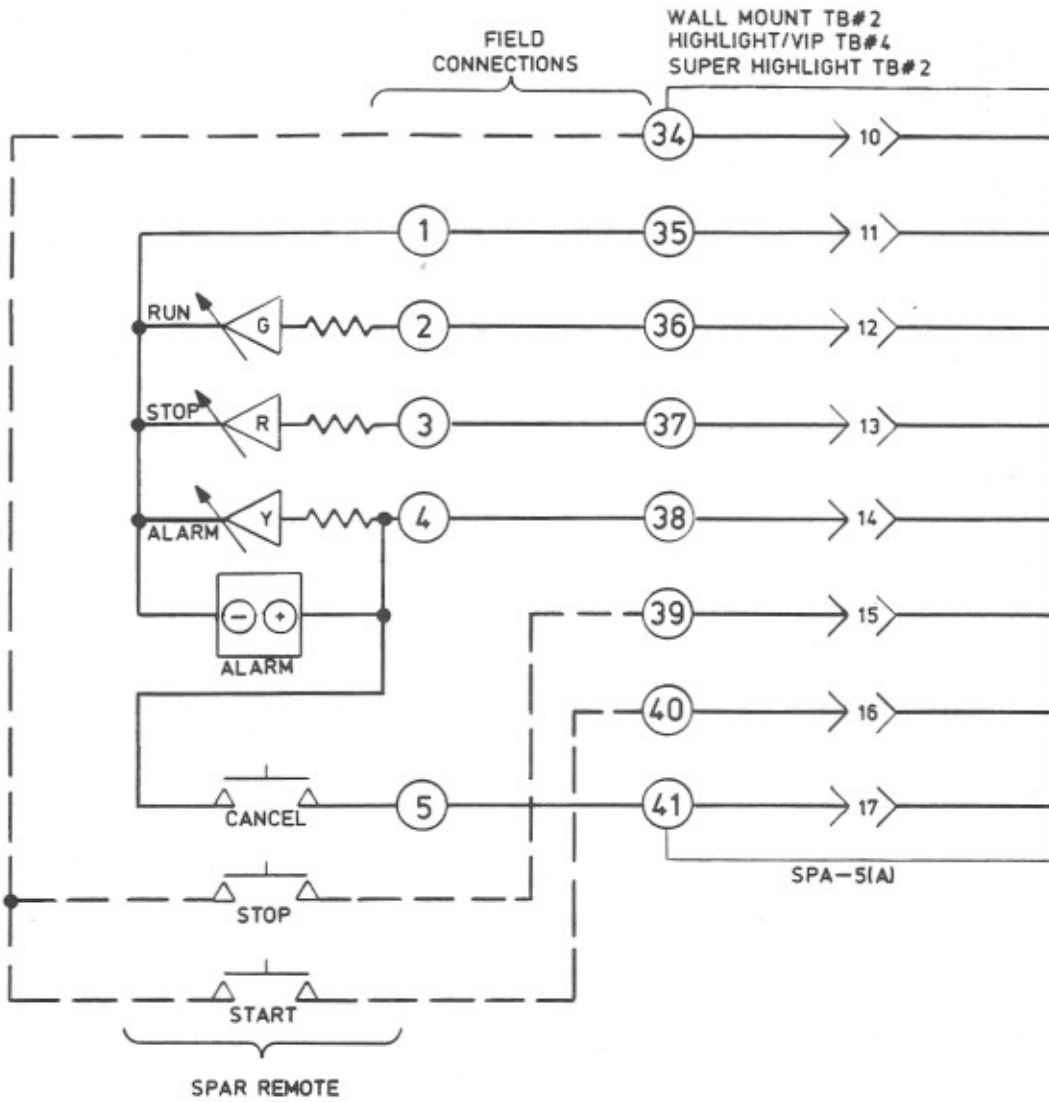
*NOTE: REQUIRES OPTIONAL 804 CURTAIN MODULE.



SPA-5(A)
CURTAIN CONTROL CIRCUIT*
WALL MOUNT/HIGHLIGHT/VIP/SUPER HIGHLIGHT VERSION
DWG# SPA-5(A)-11

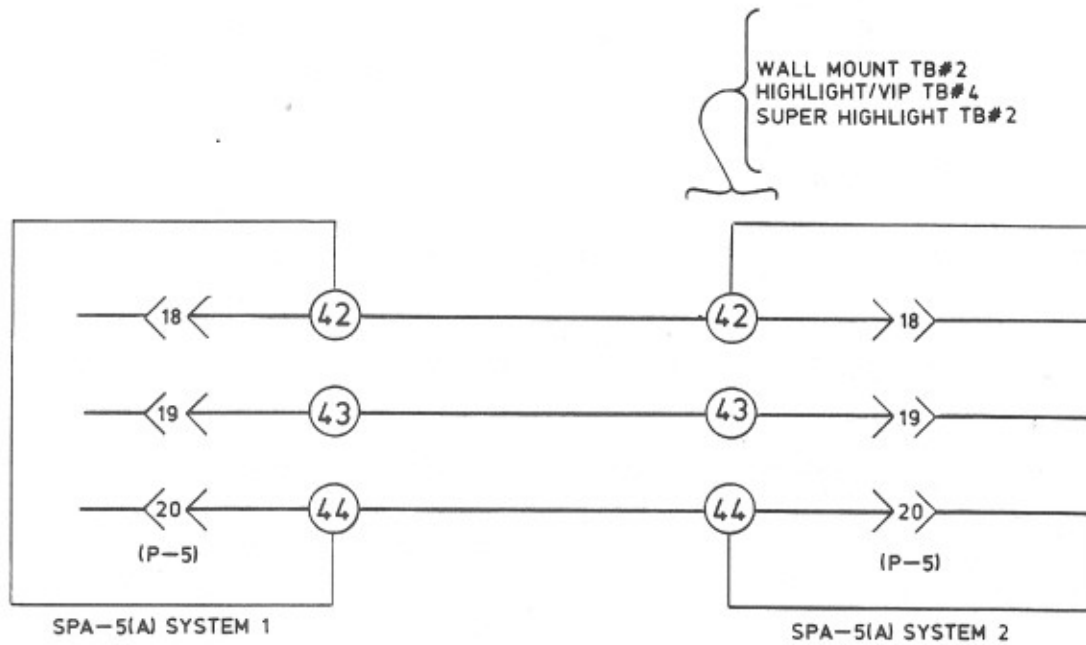


SPA-5(A)
FAILSAFE/CUE DETECTOR CIRCUIT
WALL MOUNT/HIGHLIGHT/VIP/SUPER HIGHLIGHT VERSION
DWG# SPA-5(A)-12



NOTE: ----- DEPICTS WIRING FOR OPTIONAL START AND STOP SWITCHES.

SPA-5(A)
 REMOTE STATUS/CONTROL CIRCUIT
 WALL MOUNT/HIGHLIGHT/VIP/SUPER HIGHLIGHT VERSION
 DWG# SPA-5(A)-13

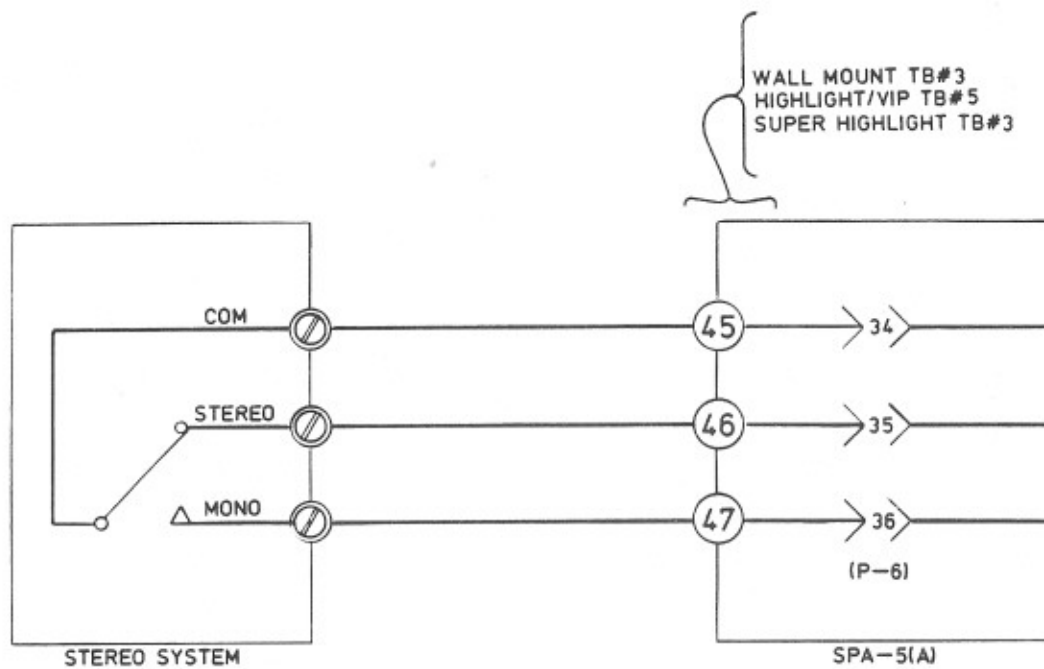


NOTES: REQUIRES OPTIONAL 803 INTERLOCK MODULE IN EACH SYSTEM BEING USED IN INTERLOCK MODE.



MUST BE DEPRESSED ON THOSE MACHINES THAT ARE TO BE OPERATED IN INTERLOCK.

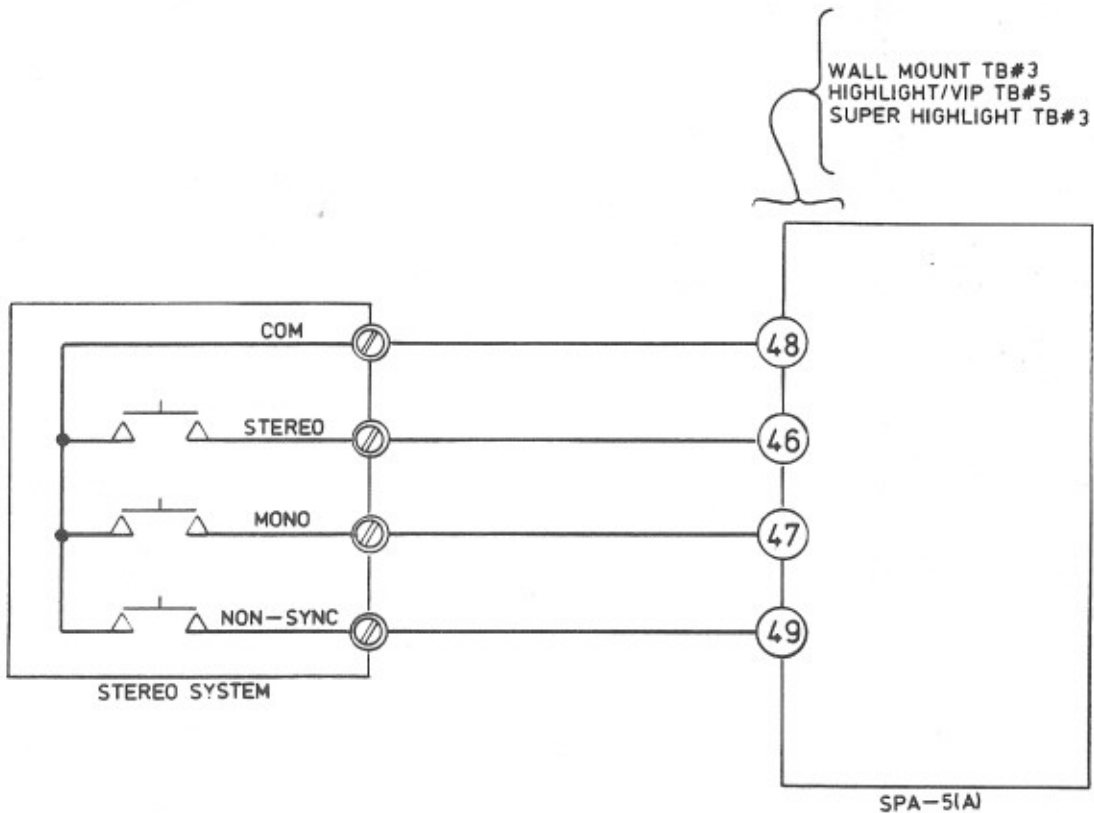
SPA-5(A)
 INTERLOCK OPERATION CIRCUIT
 WALL MOUNT/HIGHLIGHT/VIP/SUPER HIGHLIGHT VERSION
 DWG# SPA-5(A)-14



NOTE: PROVIDES "LATCH TYPE" STEREO SWITCHING LOGIC FROM AUTOMATION.

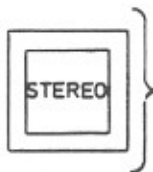
STEREO } WHEN ENERGIZED PROVIDES AUTOMATIC SWITCHING "LATCH TYPE" FROM MONO TO STEREO WHEN AUTOMATION SENSES FIRST OUTBOARD CUE.

SPA-5(A)
 STEREO SWITCHING (LATCH TYPE) CIRCUIT
 WALL MOUNT/HIGHLIGHT/VIP/SUPER HIGHLIGHT VERSION
 DWG# SPA-5(A)-15



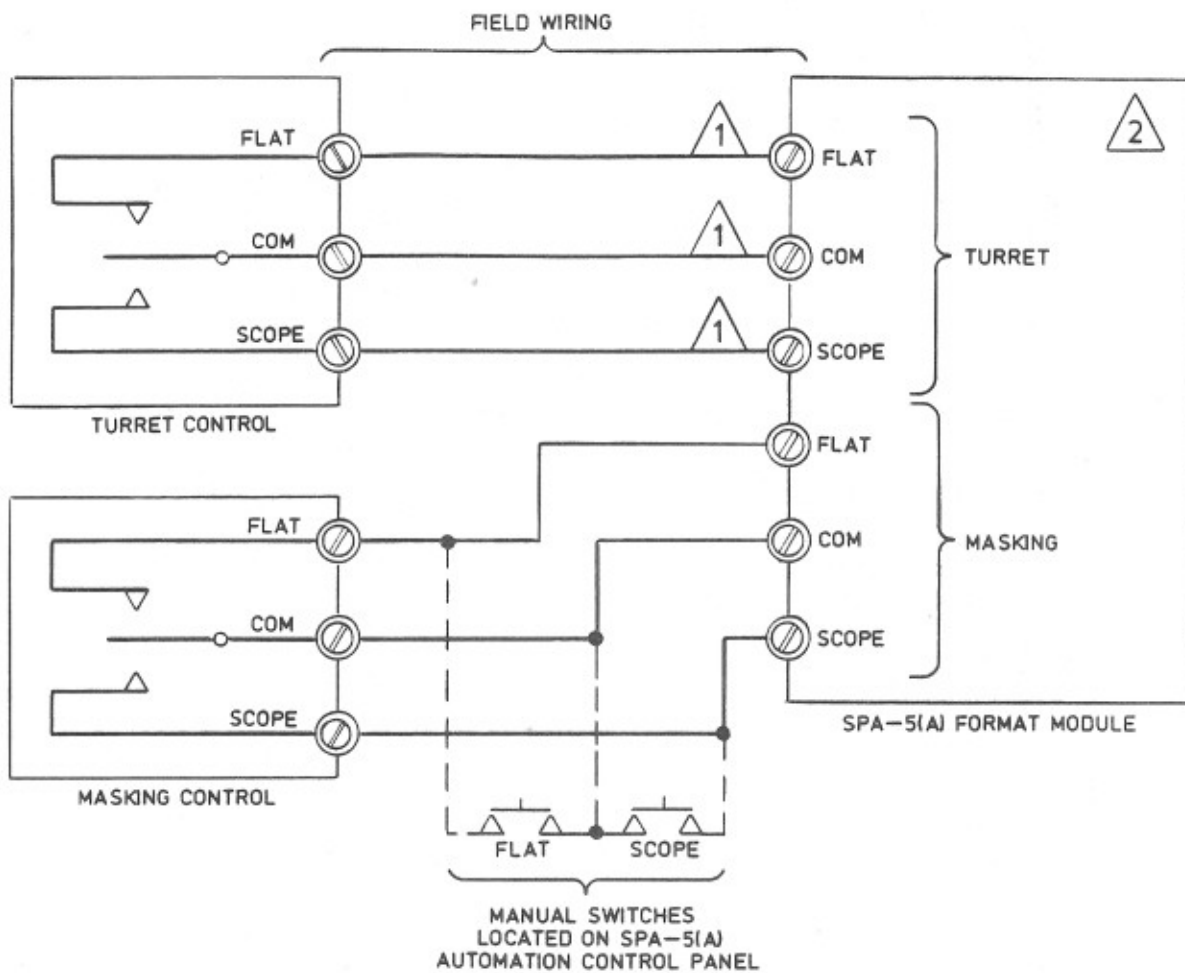
NOTE: PROVIDES "PULSE TYPE" STEREO SWITCHING LOGIC FROM AUTOMATION.

REQUIRES OPTIONAL DSM STEREO MODULE.



WHEN ENERGIZED PROVIDES AUTOMATION SWITCHING
"PULSED TYPE" FROM MONO TO STEREO WHEN AUTOMATION
SENSES OUTBOARD CUE.

SPA-5(A)
STEREO SWITCHING (PULSED TYPE) CIRCUIT
WALL MOUNT/HIGHLIGHT/VIP/SUPER HIGHLIGHT VERSION
DWG #SPA-5(A)-16



NOTES: 1 IF TURRET ONLY REQUIRES A PULSE FOR CHANGE FROM FLAT TO SCOPE OR VISA VERSA AND HAS NO LOCATION MEMORY JUMPER FLAT TO SCOPE AND RUN ONLY TWO WIRES TO CONTROL.

TO TURRET {

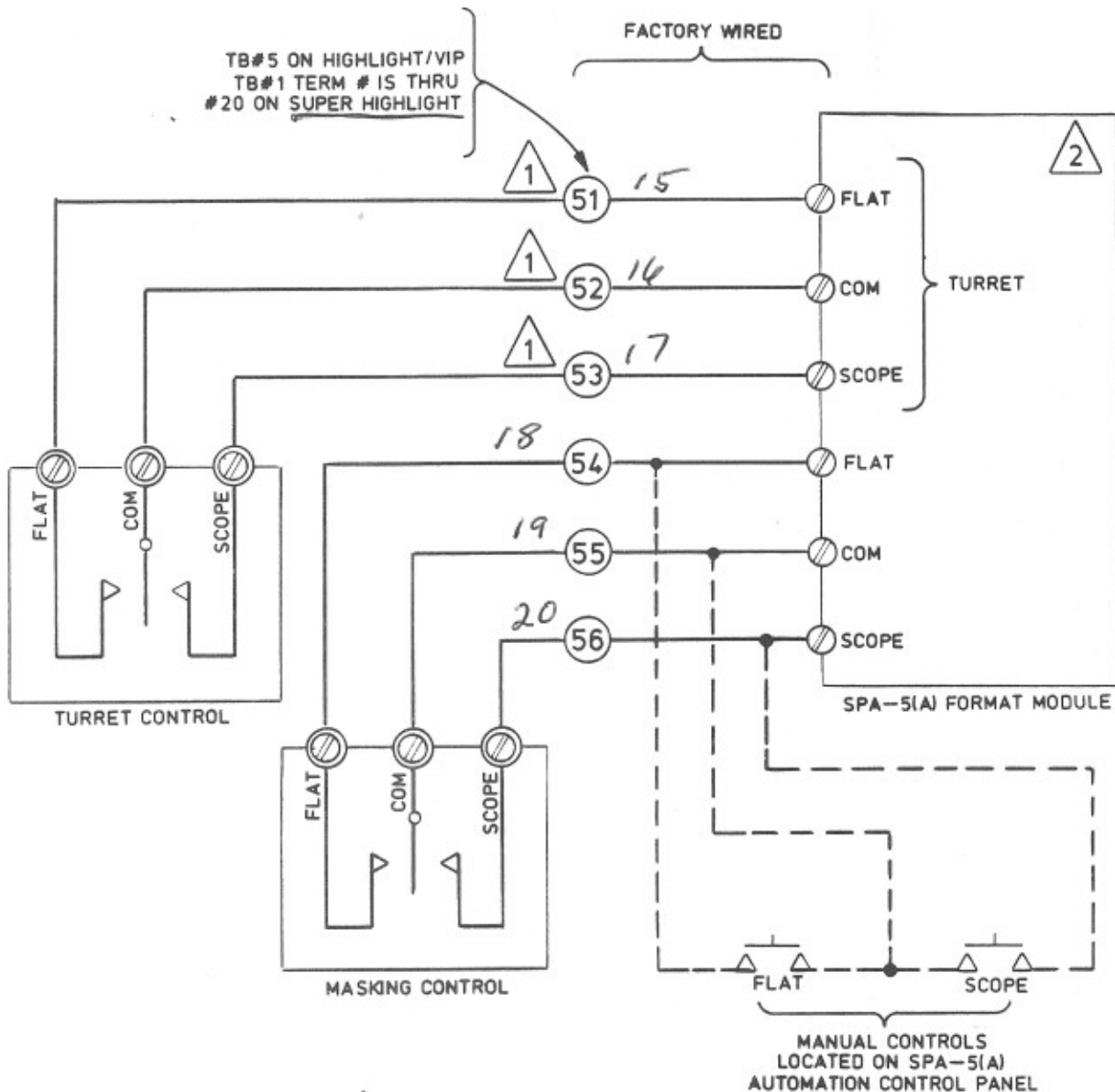
2 REQUIRES OPTIONAL FORMAT MODULE.

/ FLAT
/ COM
/ SCOPE

} FORMAT MODULE

----- FACTORY WIRED.

SPA-5(A)
 TURRET AND MASKING CONTROL CIRCUIT
 WALL MOUNT VERSION
 DWG# SPA-5(A)-17



NOTES: 1 SEE DWG# SPA-5(A)-17 FOR SPECIAL NOTES.

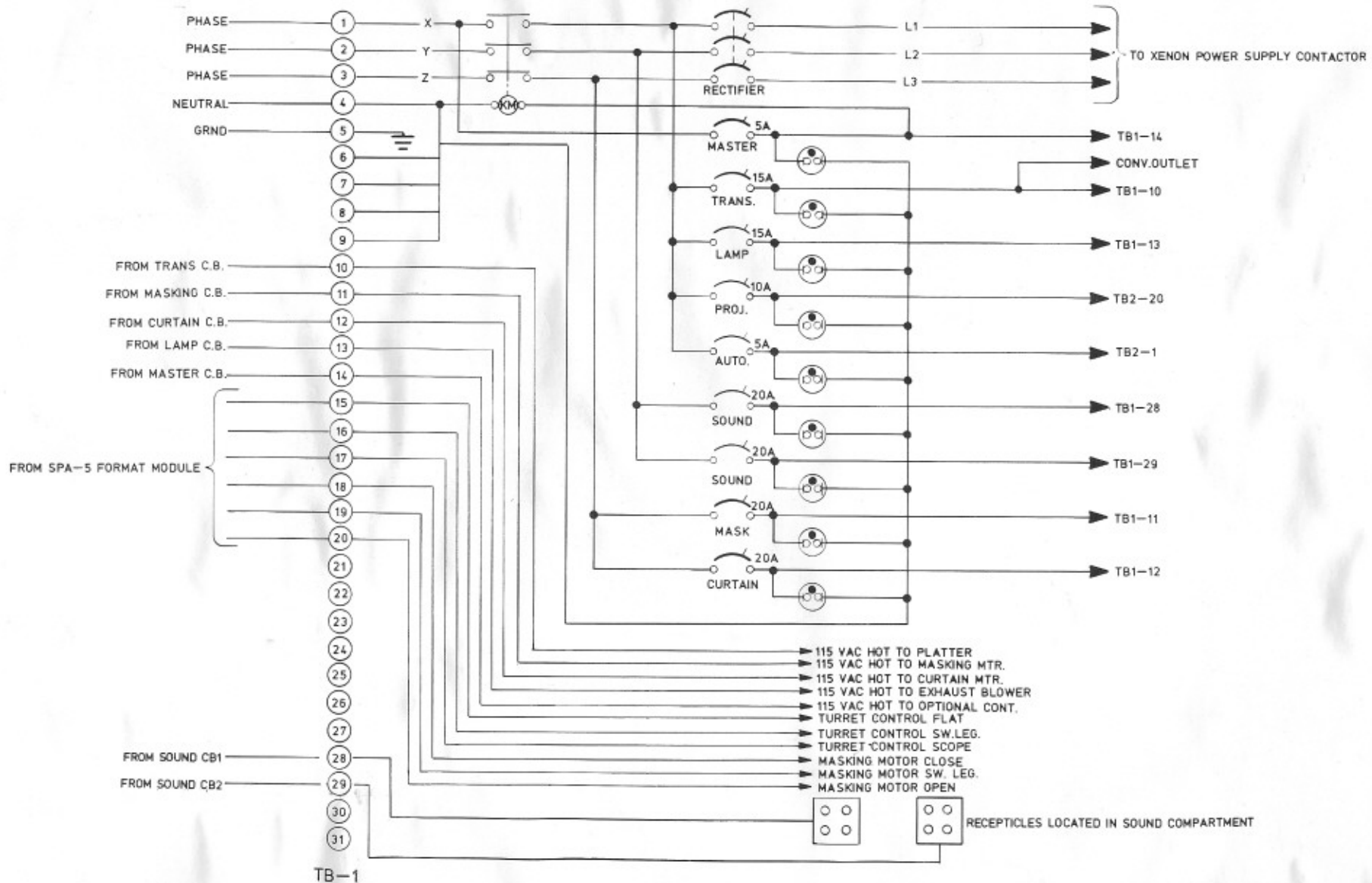
2 REQUIRES OPTIONAL FORMAT MODULE

----- FACTORY WIRED.

SPA-5(A)
 TURRET AND MASKING CONTROL CIRCUIT
 HIGHLIGHT/VIP/SUPER HIGHLIGHT VERSION
 DWG# SPA-5(A)-18

CONSOLE

EXTERNAL CONNECTIONS



71450

HIGHLIGHT CONSOLE - INSTALLATION DIAGRAM
(BASIC UNIT W/PWR DIST. OPTION A)

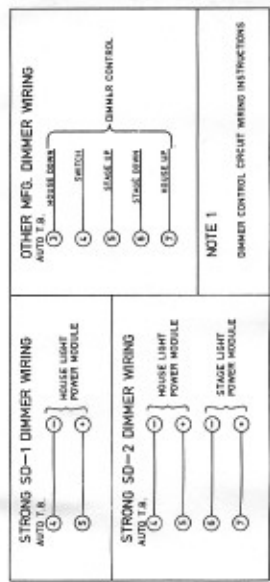
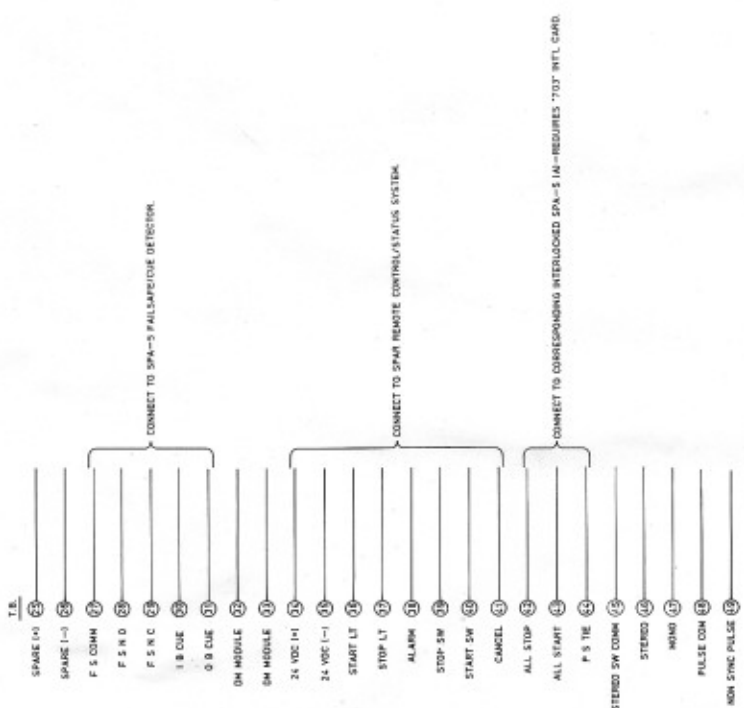
UNLESS OTHERWISE SPECIFIED: TOLERANCES DECIMALS - .005 FRACTIONS - 1/32 ANGLES - 1/2°	SYMBOLS □ FLATNESS // PARALLELISM ⊥ PERPENDICULARITY ⊕ SYMMETRY
---	---

MATERIAL	DESCRIPTION
FINISH	SCALE:

DRAWN BY	CHECKED BY	PROJECT NO.

STRONG INTERNATIONAL
BALLANTYNE
BY DESIGN, INC.
 1712 Jackson Street
 Omaha, Nebraska 68102
 402 342-4444 Telex 484481
 A member of the Strong International team

DRAWING NO. **71450**
 CODE NO.



DESCRIPTION: SPA-5 1A1 AUTOMATION FIELD WIRING

SCALE: 1/8"=1'-0"

DESIGNED BY: BLANK

CHECKED BY: BLANK

PROJECT NO.:

CORE NO.:

DATE: 11/15/11

BY: [Signature]

SCALE: 1/8"=1'-0"

PROJECT NO.:

CORE NO.:

DATE: 11/15/11

BY: [Signature]

SCALE: 1/8"=1'-0"

PROJECT NO.:

CORE NO.:

DATE: 11/15/11

BY: [Signature]

SCALE: 1/8"=1'-0"

PROJECT NO.:

CORE NO.:

DATE: 11/15/11

BY: [Signature]

SCALE: 1/8"=1'-0"

PROJECT NO.:

CORE NO.:

DATE: 11/15/11

BY: [Signature]

SCALE: 1/8"=1'-0"

PROJECT NO.:

CORE NO.:

DATE: 11/15/11

BY: [Signature]

SCALE: 1/8"=1'-0"

PROJECT NO.:

CORE NO.:

DATE: 11/15/11

BY: [Signature]

SCALE: 1/8"=1'-0"

PROJECT NO.:

CORE NO.:

