

Film-Tech

The information contained in this Adobe Acrobat pdf file is provided at your own risk and good judgment.

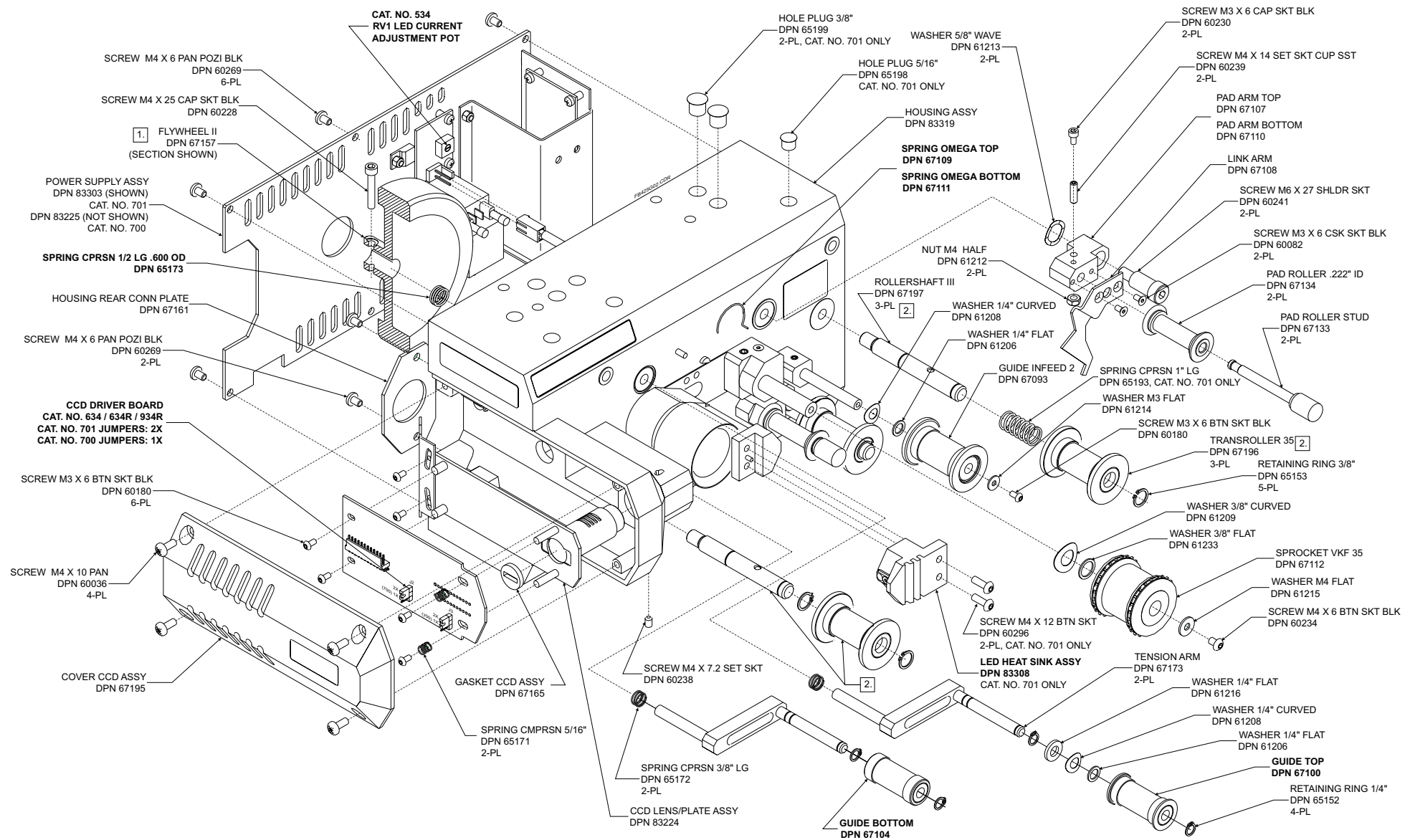
These manuals are designed to facilitate the exchange of information related to cinema projection and film handling, with no warranties nor obligations from the authors, for qualified field service engineers.

If you are not a qualified technician, please make no adjustments to anything you may read about in these Adobe manual downloads.

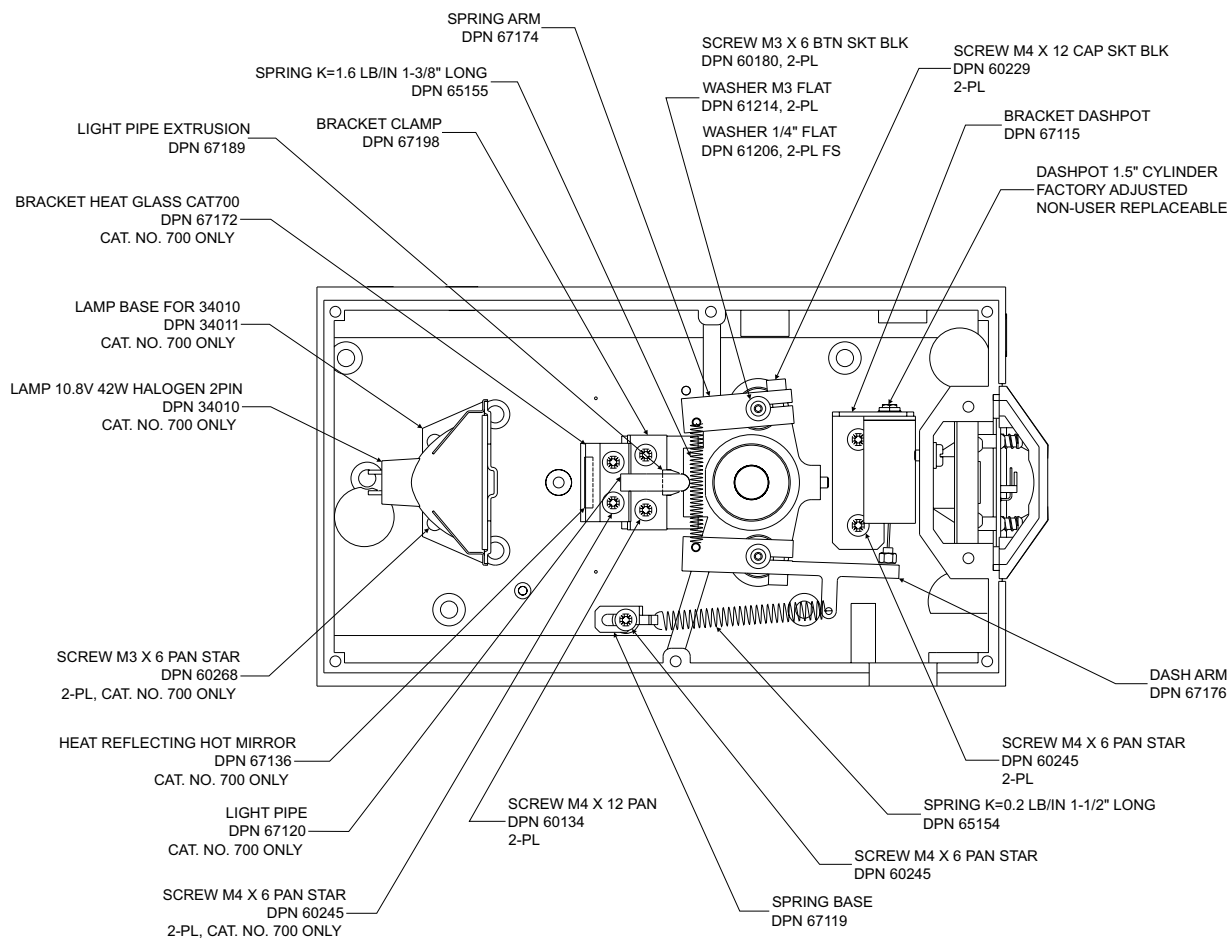
www.film-tech.com

Digital Reader Exploded View

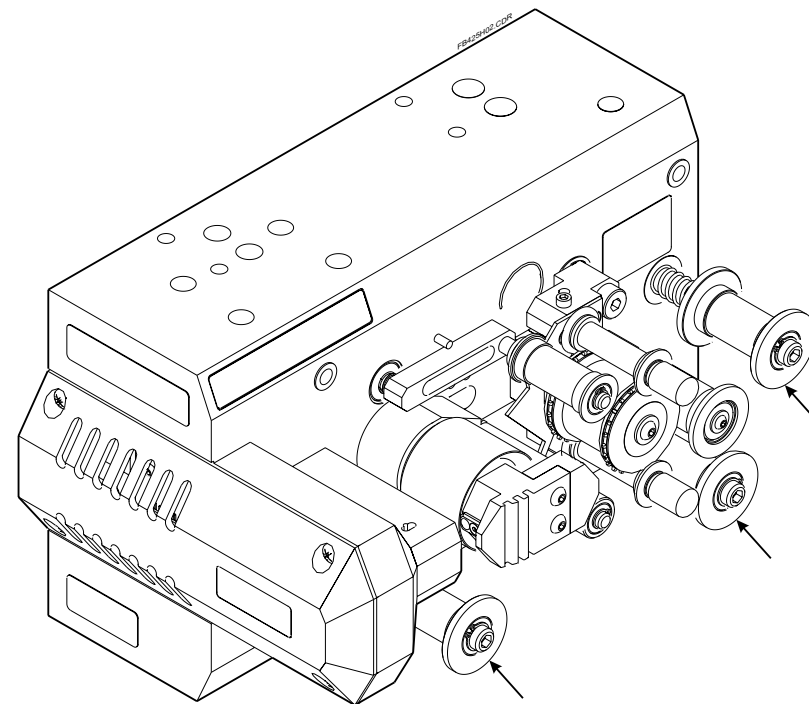
Maintenance and Troubleshooting



CAT. NO. 701 EXPLODED VIEW



**CAT. NO. 700/701 REAR VIEW
(POWER SUPPLY ASSEMBLY NOT SHOWN)**



CAT. NO. 701 TRANSROLLER PARTS		
	STANDARD 35 MM	OPTIONAL 35/70 MM BYPASS (DPN 83239)
DESCRIPTION	DOLBY PART NUMBER (DPN)	
TRANSROLLER	67196	67097
SHAFT	67197	67177
RETAINING CLIP (2)	65153	65153