

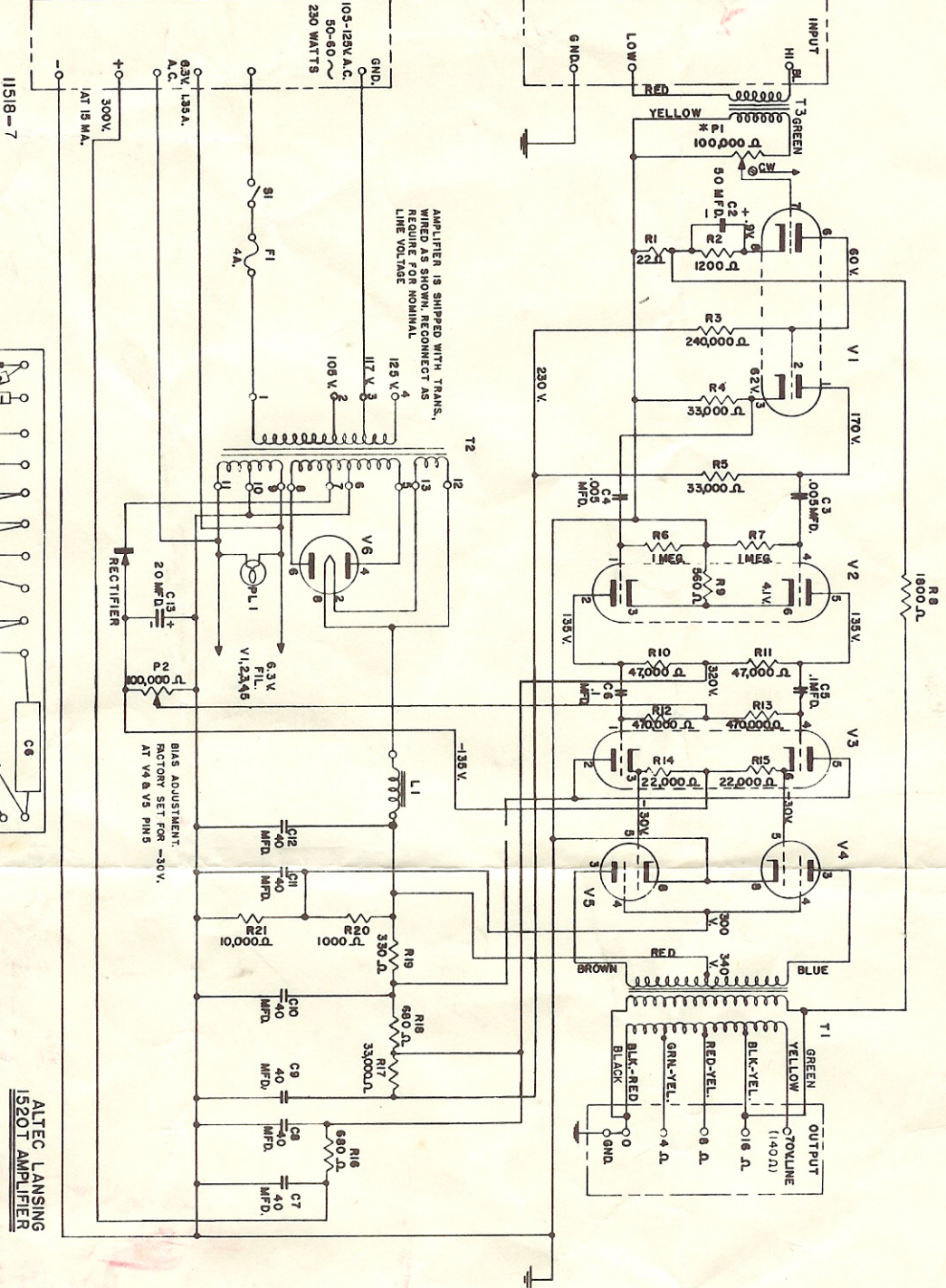
FILM-TECH

THE INFORMATION CONTAINED IN THIS ADOBE ACROBAT PDF FILE IS PROVIDED AT YOUR OWN RISK AND GOOD JUDGMENT.

THESE MANUALS ARE DESIGNED TO FACILITATE THE EXCHANGE OF INFORMATION RELATED TO CINEMA PROJECTION AND FILM HANDLING, WITH NO WARRANTIES NOR OBLIGATIONS FROM THE AUTHORS, FOR QUALIFIED FIELD SERVICE ENGINEERS.

IF YOU ARE NOT A QUALIFIED TECHNICIAN, PLEASE MAKE NO ADJUSTMENTS TO ANYTHING YOU MAY READ ABOUT IN THESE ADOBE MANUAL DOWNLOADS.

WWW.FILM-TECH.COM



**ALTEC LANSING
150T AMPLIFIER**

SERIAL NO'S. 1225 THROUGH 1435

PARTS LIST	
C2	50 " 3 V. C.D. 99R 50-3
C3, 4	10M " 500V. EMER. 6P2M
C5, 6	450V. MICA 500.0
C7, 8, 9, 10, 11, 12	15M-40MFD 500V. C.D. P#450
C13	20MFD. 150V. C.D. BR 2015
C15	22
R1	22 OHMS 1/2 W. ±10%
R2	1200
R3	240,000
R4, 5, 17	33,000
R6, 7	1 MEG.
R8, 7	1/2
R9	1800
R10, 11	47,000
R12, 13	470,000
R14, 15	22,000
R16, 16	680
R19	330
R20	1000
R21	10,000
P1	100,000 " ALLEN BRADLEY 41041
P2	100,000 I.R.C. RQ11-29
S1	ROTARY SWITCH 5 P.S.T. H.A.H. 1561
F1	FUSE 4 AMP. 3AG
V1	12AV7 (G.E.)
V2, 3	6SN7
V4, 5	6L6 G
V6	5Y4 G
PL 1	MAZDA 44
RECTIFIER	20MA RADIO RECEPTOR 8Y1
T3	PEERLESS 4651
T1	PEERLESS 15296
T2	PEERLESS 5019
L1	PEERLESS 13945

OPERATING DATA		
MAX. GAIN FROM 1000 OHM SOURCE	73 DB	
P1 FACTORY SET FOR GAIN 10,000 OHM SOURCED 60 DB		
MAX. GAIN BRIDGING 800 OHM LINE	60.5 DB	
POWER OUTPUT	35 WATTS	
TOTAL HARMONIC DISTORTION	~0.7%	
407050000 ~ LESS THAN		
RESPONSE	5% T.K.D. 30 WATTS	
NOISE LEVEL	-43DBM	
REF. 0 DBM = 0.001 WATTS		

NOTE: A MAXIMUM OF THREE ISOLA. PRE-AMPLIFIERS MAY BE SUPPLIED POWER FROM THE 150T AMPLIFIER.