

# FILM-TECH

**THE INFORMATION CONTAINED IN THIS ADOBE ACROBAT PDF FILE IS PROVIDED AT YOUR OWN RISK AND GOOD JUDGMENT.**

**THESE MANUALS ARE DESIGNED TO FACILITATE THE EXCHANGE OF INFORMATION RELATED TO CINEMA PROJECTION AND FILM HANDLING, WITH NO WARRANTIES NOR OBLIGATIONS FROM THE AUTHORS, FOR QUALIFIED FIELD SERVICE ENGINEERS.**

**IF YOU ARE NOT A QUALIFIED TECHNICIAN, PLEASE MAKE NO ADJUSTMENTS TO ANYTHING YOU MAY READ ABOUT IN THESE ADOBE MANUAL DOWNLOADS.**

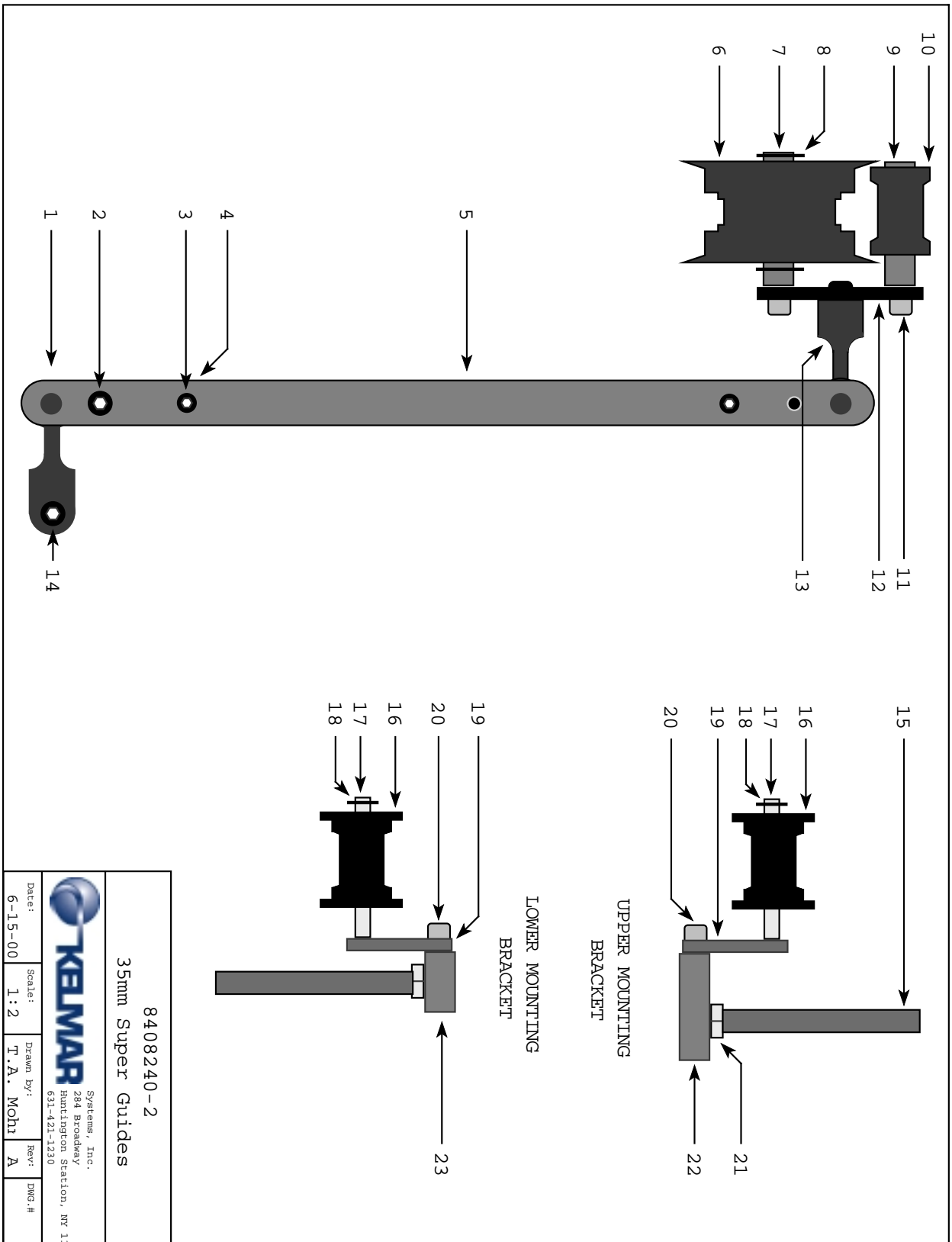
**[WWW.FILM-TECH.COM](http://WWW.FILM-TECH.COM)**



**KELMAR**

Systems Inc., 284 Broadway, Huntington Station, NY 11746 • 631.421.1230 • FAX 631.421.1274

**8408240-2 35mm Super Guides Parts List**



<u>Item #</u>	<u>Part#</u>	<u>Description</u>
1	7302075	Ball Clamp
2	SHC.25x1	Socket Head Cap Screw 1/4-20x 1"
3	SHC8x.5	Socket Head Cap Screw 8-32 x 1/2"
4	8408244	Spacer
5	8408243-2	Arm Side Plate (long)
6	7402078	Roller with Bearings
7	7302068-1	Shaft, Film Guide Roller
8	SR.5	1/2" Retaining Ring
9	7302068-2	Shaft, Film Keeper Roller
10	7302069	Keeper Roller
11	SHC.25x.5	Socket Head Cap Screw 1/4-20x 1/2"
12	7302061	Plate, Roller Mounting
13	7302072	Ball Stud
14	SHC.25x.75	Socket Head Cap Screw 1/4-20x 3/4"
15	7302061	Mounting Stud
16	720336	Roller, 35mm Film By-pass
17	720338	Shaft, 35mm Film By-pass Roller
18	SR.25	1/4" Retaining Ring
19	7508447	Plate, Film By-pass Roller Mounting
20	SHC.25x.5	Socket Head Cap Screw 1/4-20x 1/2"
21	HN.375	Nut, Hex Jam
22	8408242	Base, Upper Mounting
23	8408241	Base, Lower Mounting