

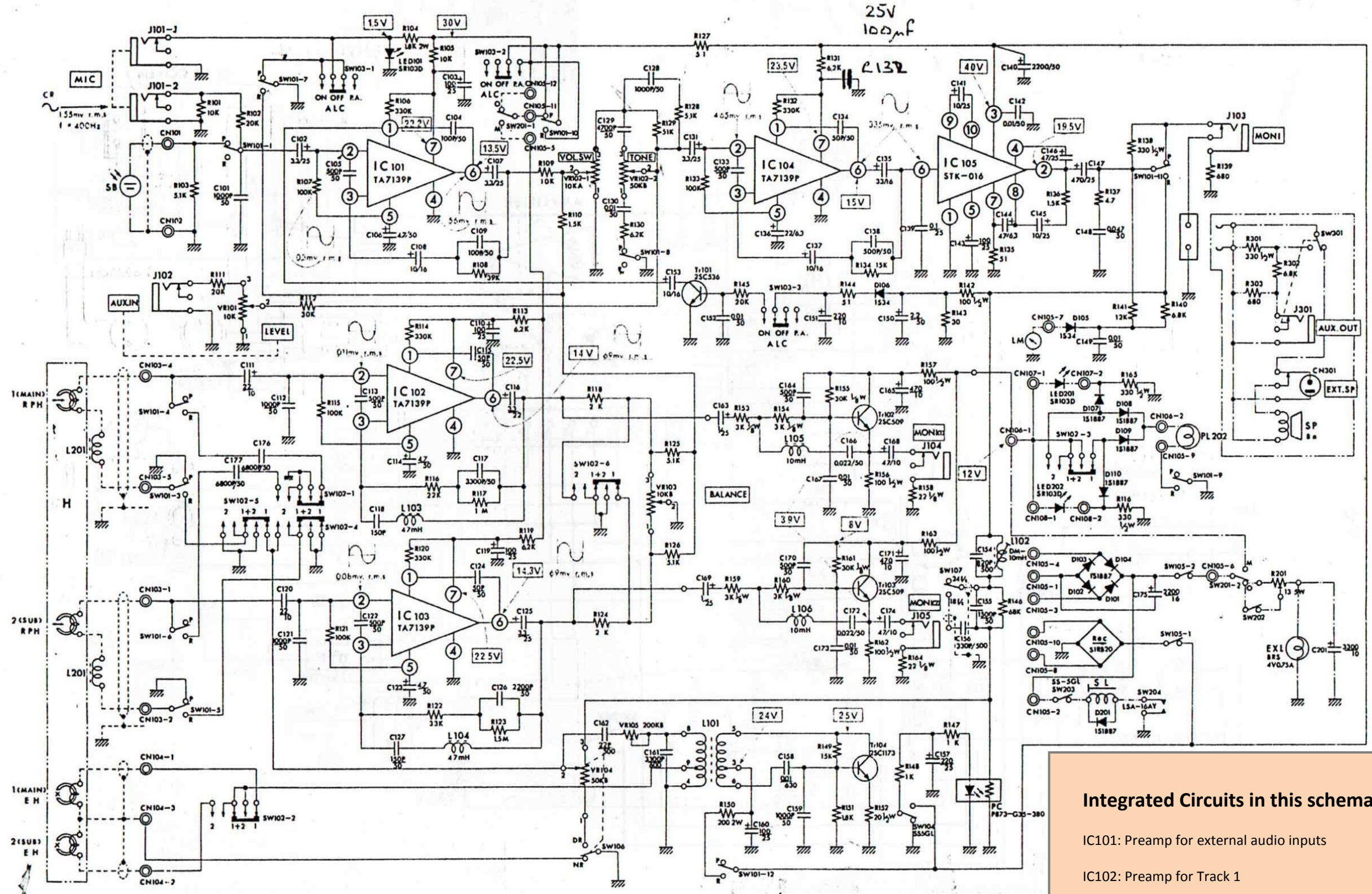
FILM-TECH

THE INFORMATION CONTAINED IN THIS ADOBE ACROBAT PDF FILE IS PROVIDED AT YOUR OWN RISK AND GOOD JUDGMENT.

THESE MANUALS ARE DESIGNED TO FACILITATE THE EXCHANGE OF INFORMATION RELATED TO CINEMA PROJECTION AND FILM HANDLING, WITH NO WARRANTIES NOR OBLIGATIONS FROM THE AUTHORS, FOR QUALIFIED FIELD SERVICE ENGINEERS.

IF YOU ARE NOT A QUALIFIED TECHNICIAN, PLEASE MAKE NO ADJUSTMENTS TO ANYTHING YOU MAY READ ABOUT IN THESE ADOBE MANUAL DOWNLOADS.

WWW.FILM-TECH.COM



Integrated Circuits in this schematic:

- IC101: Preamp for external audio inputs
 - IC102: Preamp for Track 1
 - IC103: Preamp for Track 2
 - IC104: Preamp stage for Main Amp.
 - IC105: Main (Power) Amp. (Monaural only)
- Part Numbers
- IC101,2,3 and 4 are all Toshiba TA7139P
 - IC105 is Sanyo STK-016

Sound Circuit Schematic for ELMO ST-1200HD

(Includes sound heads, main amplifier board, rear control panel and side cover circuits)