

Film-Tech

The information contained in this Adobe Acrobat pdf file is provided at your own risk and good judgment.

These manuals are designed to facilitate the exchange of information related to cinema projection and film handling, with no warranties nor obligations from the authors, for qualified field service engineers.

If you are not a qualified technician, please make no adjustments to anything you may read about in these Adobe manual downloads.

www.film-tech.com



35mm TURRET PROJECTOR
Parts Catalog

Rev. 8/98

STRONG INTERNATIONAL

a division of Ballantyne of Omaha, Inc.

4350 McKinley Street

Omaha, Nebraska 68112 USA

Tel 402/453-4444 • Fax 402/453-7238

TABLE OF CONTENTS

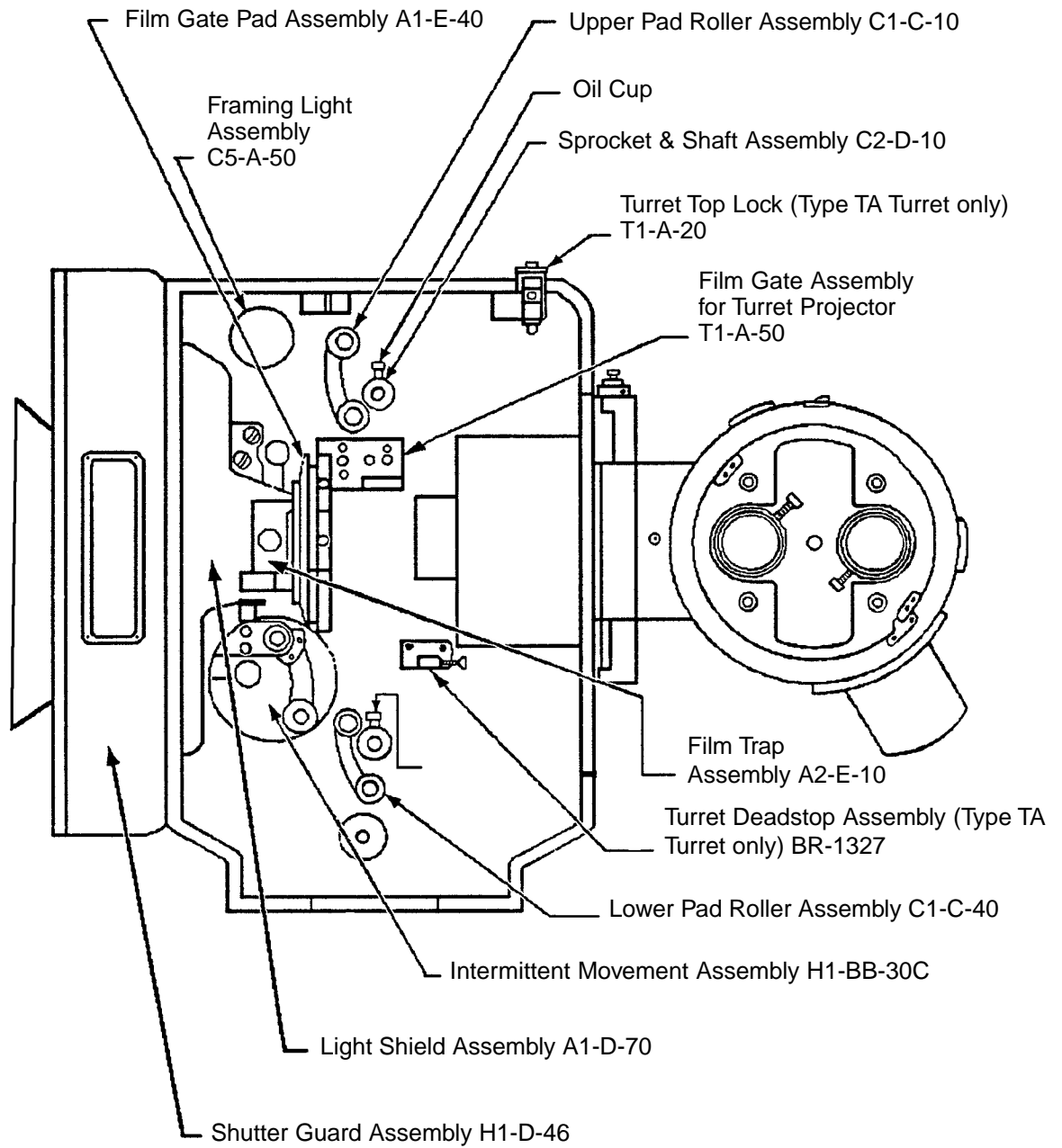
	<i>Assembly</i>	<i>Page</i>
Main Frame & Pin Assembly	T1-A-10	4
Intermittent Carriage & Shutter Adjustment Assembly	C2-A-31	6
Intermittent Carriage Assembly	C2-A-33	6
Shutter Adjustment Screw & Collar Assembly	V1-A-32	7
Framing Shaft Assembly	C1-A-20	7
Framing Shaft & Pinion Assembly	C1-A-21	7
Intermittent Movement Assembly	H1-BB-30C	9
Intermittent Movement, Cover Assembly	H1-BB-16	10
Inner Starwheel Bushing Assembly	H1-BB-35	10
Front Starwheel Bearing Bracket Assembly	H1-BB-34	10
Intermittent Movement, Case Assembly	H1-BB-17	10
Inner Cam Bushing with Ring Assembly	H1-BB-36	11
Intermittent Sprocket Pad & Arm Assembly	C1-BB-26	11
Intermittent Sprocket Pad, Stud, & Plate Assembly	C1-BB-27	11
Intermittent Sprocket Pad Assembly	C1-BB-28	11
Intermittent Sprocket Pad, Stud, & Bushing Assembly	C1-BB-29	12
Intermittent Sprocket Pad Stud Assembly	C1-BB-29A	12
Cam Thrust Ball Bearing & Bracket Assembly	H1-BB-31	12
Type "TA" Automatic Turret Assembly*	T1-A-30	14
AutoTurret Housing & Bushing Assembly, "TA" Turret	T1-A-31A	14
Focus Block & Bushing Assembly, Type "TA" Turret	T1-A-32	14
Turret Ring Assembly, Type "TA" Turret	T1-A-33	15
Ball Bearing & Bracket Assembly, Type "TA" Turret	T1-A-34	15
Lens Bushing Assembly, Type "TA" Turret	T1-A-36	17
Lens Focus Rod Assembly, Type "TA" Turret	T1-A-37A	17
Lens Focus Pivot Rod Assembly, Type "TA" Turret	T1-A-38	17
AutoTurret Motor & Bracket Assembly, Type "TA" Turret	T1-A-60	18
Gear & Slip Clutch, AutoTurret Motor, Type "TA" Turret	T1-A-59	18
Mounting Hinge Assembly, Type "TA" Turret	T1-A-11	20
Hinge Pin Assembly, Type "TA" Turret	T1-A-12	20
Top Lock Assembly, Type "TA" Turret	T1-A-20	20
Film Trap & Automatic Aperture Changer	LC-T-120A	22
Film Trap Assembly for Aperture Changer	A2-E-10	22
Lateral Guide Roller Assembly	A1-E-12	23
Film Trap Support Gib & Heat Shield	A1-E-70	23
Upper Pad Roller Arm Assembly	C1-C-10	23
Upper Pad Roller Arm, Stud, Knob, & Bushing Assembly	C1-C-13	24
Lower Pad Roller Arm Assembly	C1-C-40	24
Lower Pad Roller Arm, Stud, Knob, & Bushing Assembly	C1-C-41	24
Automatic Aperture Changer Assembly	AC-T-100A	26
Film Gate Assembly for Turret Projector	T1-A-50	28
Curved Pressure Pad Assembly, Film Gate	A1-E-40	28
Film Gate Slider Assembly	T1-A-56	28
Film Gate Locating Pin Assembly	T1-A-57	28
Gear Compartment Door Assembly	J1-A-13	29
Steel 100° Shutter & Shaft Assembly	H4-D-40X	31

*See Century MSC/SA-TU Manual for TU2020C & TU2030C Turret Parts List.

TABLE OF CONTENTS (continued)

	<i>Assembly</i>	<i>Page</i>
Large Diameter Shutter Blade (1/32" 100°) Assembly	C1-D-50S	31
Single Shutter Shaft & Bracket Assembly	H1-D-44X	31
Shutter Shaft Bracket & Ball Bearing Assembly	C2-D-42	32
Single Shutter Bracket & Ball Bearing Assembly	C1-D-45	32
Shutter Guard Assembly	H1-D-46	34
Fixed Shutter Guard Assembly	H1-D-43	34
Light Shield Assembly	A1-D-70	36
Framing Light Assembly	C5-A-50	36
Framing Light Shield Assembly	C3-A-53	36
Framing Light Socket & Wire Assembly	C5-A-54	36
Framing Light Socket Assembly	C3-A-55	36
Upper & Lower Sprocket Shaft Assembly	C2-D-10	37
Automatic Fire Shutter Assembly (Optional)	C1-D-60	37
Vertical Shaft Assembly, Single Shutter	M3-G-100B	39
Governor Weight Assembly (Optional)	C1-G-22	39
Vertical Shaft Ball Bearing & Bracket Assembly	C1-G-31	40
Vertical Shaft Upper Thrust Collar Assembly	C1-G-44	40
Vertical Shaft, Key, & Gear Assembly	C3-G-93	40
Intermittent Drive Bracket & Nut Assembly	C1-G-95	40
Vertical Shaft Intermittent Drive & Bracket Assembly	C1-G-23	41
Vertical Shaft Intermittent Drive Gear Nut Assembly	C1-G-24	41
Horizontal Drive Shaft & Ball Bearing Assembly	C2-G-112	41
Manual Turret Assembly, Type "TM"	T3-A-30	44
Manual Turret Ring & Matched Focus Rods Assembly	T3-A-31A	44
Focus Block & Bushing Assembly, Type "TM" Turret	T1-A-32	44
Outer Turret Housing Assembly, Type "TM" Turret	T3-A-33	44
Ball Bearing & Bracket Assembly, Type "TM" Turret	T1-A-34	45
Bearing & Shaft Assembly, Type "TM" Turret	T1-A-35	45
Lens Bushing Assembly, Type "TM" Turret	T1-A-36	47
Lens Focus Rod Assembly, Type "TM" Turret	T1-A-37A	47
Lens Focus Pivot Rod Assembly, Type "TM" Turret	T1-A-38A	47
Turret Locating Lock Assembly, Type "TM" Turret	T3-A-39	47
Film Trap Assembly with Manual Aperture Changer	A1-E-10T	49
Spring Retaining Block & Pin Assembly	A1-E-13	49
Lateral Guide Roller Assembly	A1-E-12	49
Double Shutter Shaft, Bracket, Gear & Blade Assembly	J4-D-50	50
Double Shutter Blade & Hub Assembly (Inner)	J8-D-51	50
Reverse Double Shutter Hub Assembly (Inner)	C2-D-56	50
Double Shutter Blade & Air Vane Assembly (Inner)	C2-D-59	50
Double Shutter Blade & Hub Assembly (Outer)	J8-D-52	51
Single & (Outer) Double Shutter Hub Assembly	C2-D-49	51
Double Shutter Intermediate Bracket, Gears, & Bearings	C2-D-55A	52
Direct Double Shutter Bracket & Ball Bearing Assembly	C2-D-53B	52
Gear & Ball Bearing Assembly, Double Shutter	C2-G-53A	53
Water-Cooled Film Trap Parts	A2-E-71	55
Picture Changeover Device	82-60218	54

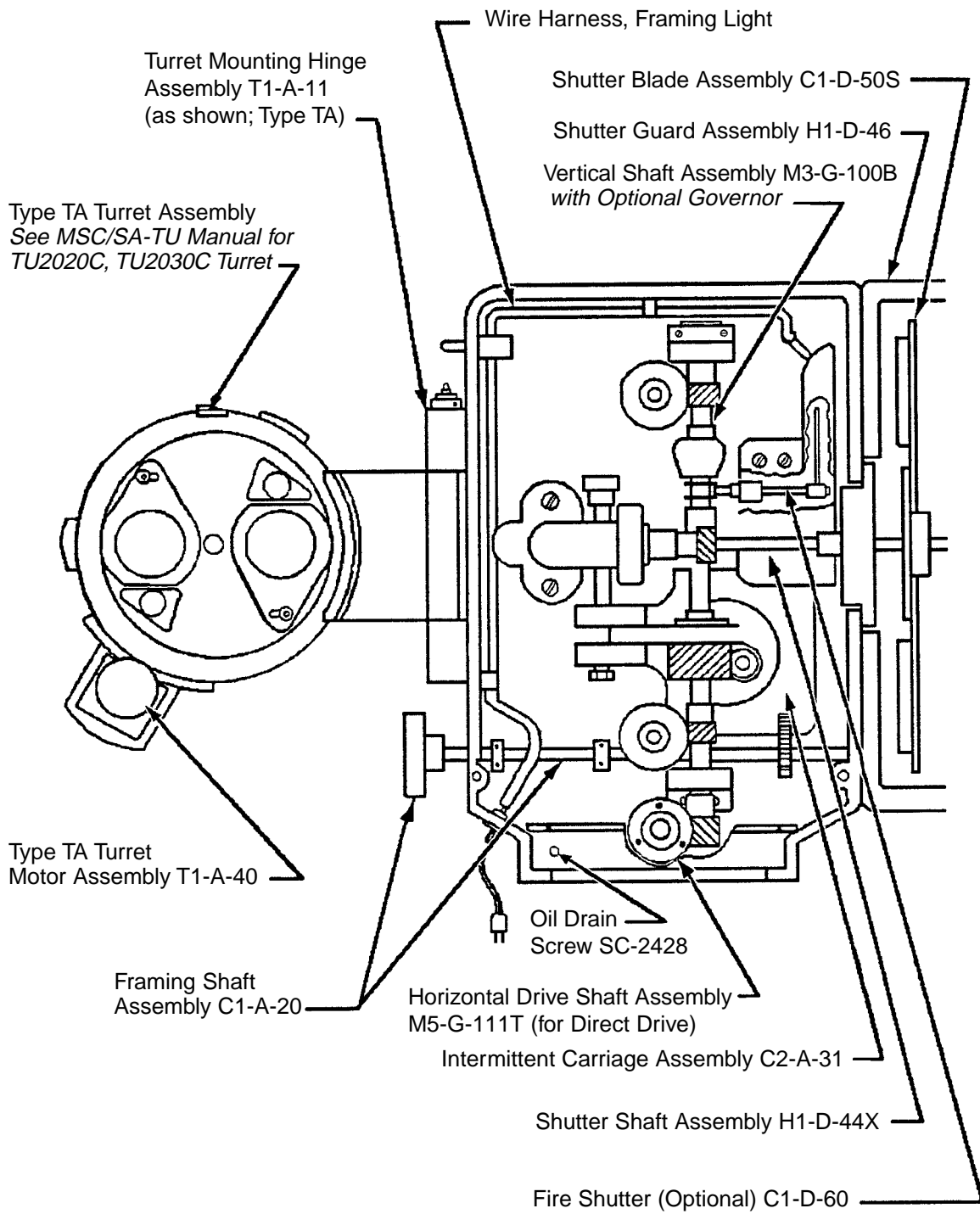
MAJOR ASSEMBLIES



Note: Automatic Aperture Changer (AC-T-100A) not shown

OPERATING SIDE

MAJOR ASSEMBLIES



NOTE: See Soundhead Book for Drive Belts & Pulleys

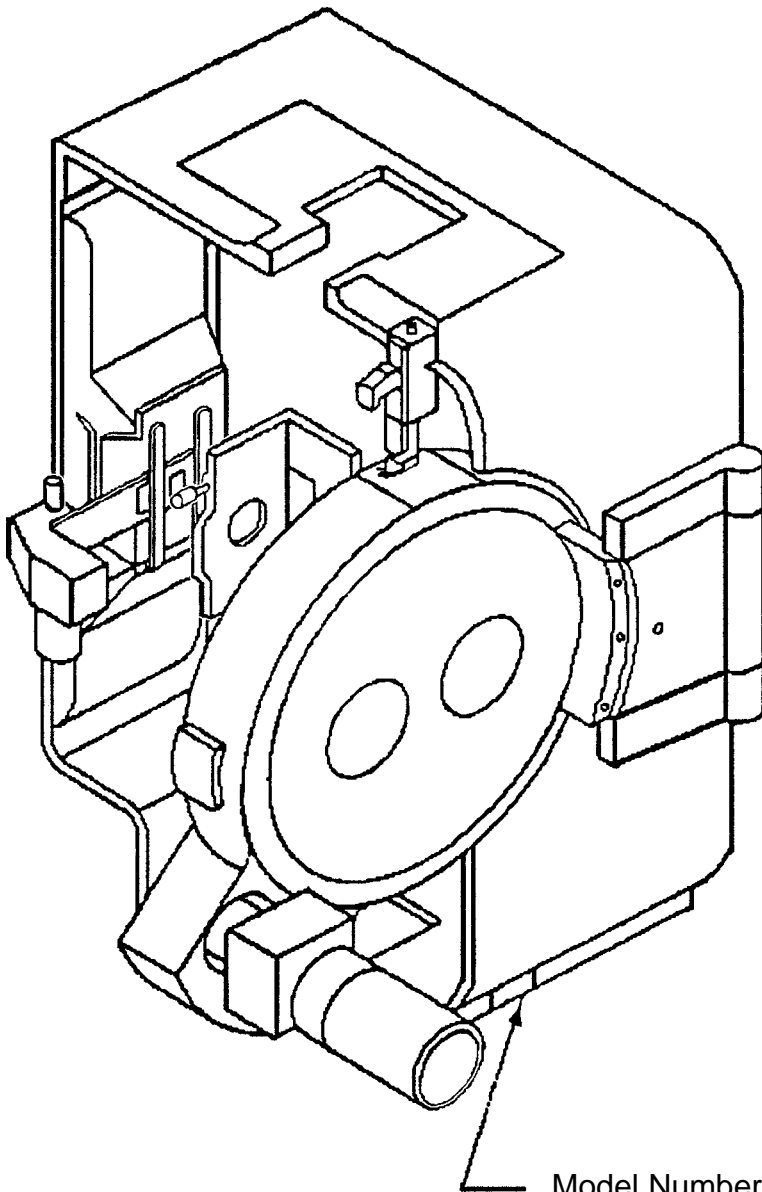
DRIVE SIDE

When ordering parts, include:

- MODEL NUMBER
- SERIAL NUMBER
- PART NUMBER

Century Replacement Parts are sold through authorized Strong International Dealers only.

See *Supplemental Parts List* in the MSC/SA-TU Manual for TU2020C and TU2030C Lens Turret Assemblies. Film Trap & Film Gate for MSC/SA-TU are included in this catalog.



Model Number/Serial Number Plate (Type TA);
Inside Film Compartment on MSC/SA-TU

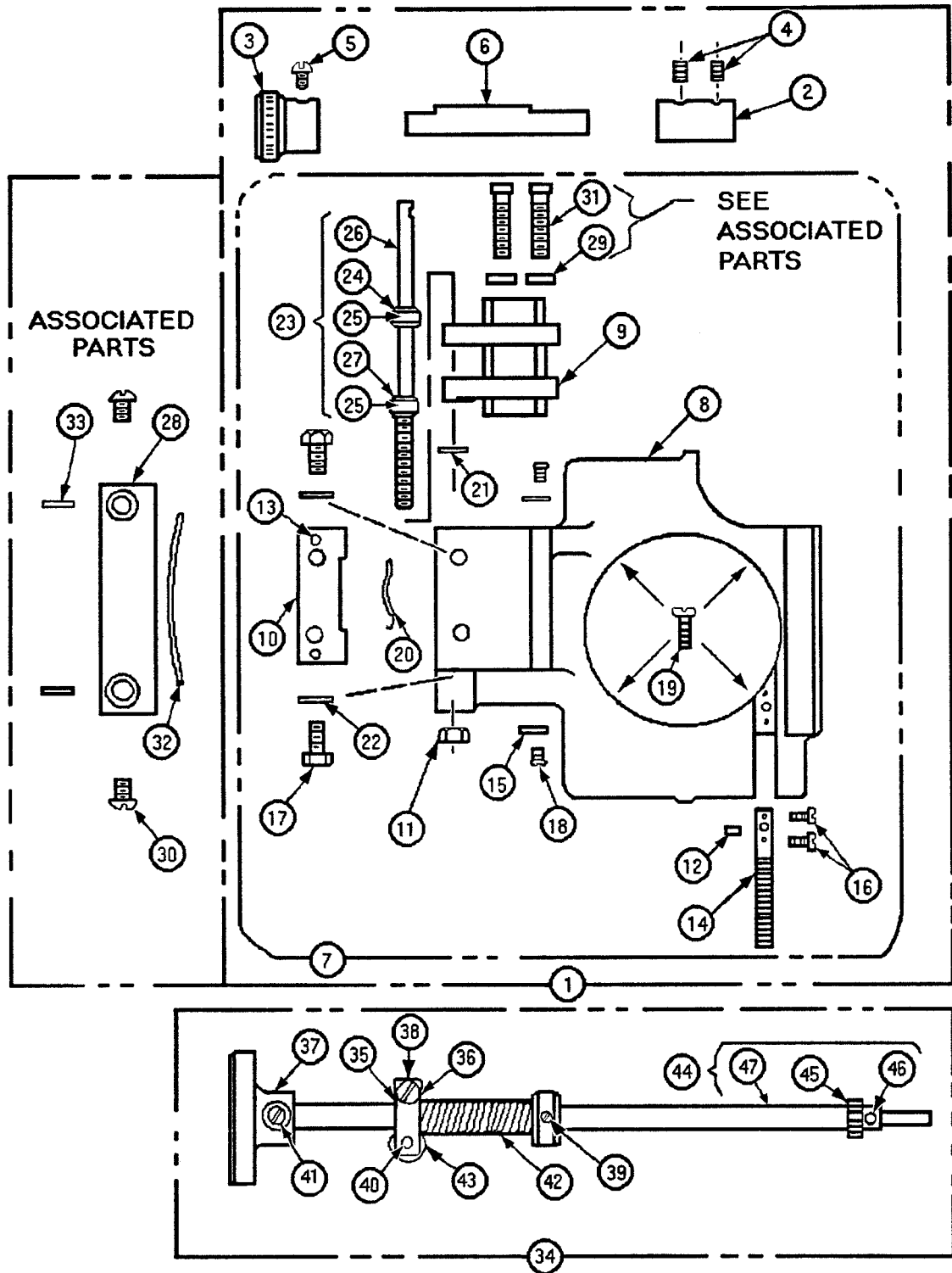
MAIN FRAME & PIN ASSEMBLY (82-60207)

<u>Part No.</u>	<u>Description</u>
T1-A-10	Main Frame & Pin Assembly (for "TA" Turret Models)
A1-D-80	Douser Guide Assembly
BR-1327*	Turret Deadstop Bracket
BU-0029D	Sprocket Shaft Bearing Bushing (4 req'd.)
C1-A-11	Door Hinge (2 req'd.)
CR-0598	Lower Drive Side Cover
CR-0887	Grease Baffle Cover
CU-0022	Sprocket Shaft Oil Cup (2 req'd.)
FR-0070-T	Main Frame Casting, "TA" Models
10259	Main Frame Casting, MSC/SA-TU
J1-A-14	Quarter-Turn Door Lock
PE-0039	Nameplate
PN-0021	Shutter Bracket Locating Pin (2 req'd.)
PN-0028	Locating Pin, Trap Support & Shutter Bracket (3 req'd.)
PN-0247	Carriage & Gate Slide Stop Pin (3 req'd.)
PN-1300	Dowel Pin (2 req'd.)
RT-0002	Main Drive Retainer
SC-0070	Cover Fastener Screw (2 req'd.)
SC-0125	Nameplate Screw (2 req'd.)
SC-0127	Bearing Retaining Screw, Horizontal Drive (2 req'd.)
SC-0137	Lens Mount Screw (2 req'd.)
SC-0226	Screw, Door Link
SC-0519	Spring Screw, Gate Slider
41-51033	Door Catch Mounting Screw (2 req'd.)
SC-0661	Hinge Mounting Screw (4 req'd.)
3041	Changeover Mounting Screw (2 req'd.)
SC-0886	Socket Screw (4 req'd.)
41-51604	Horizontal Drive Retainer Screw
3052	Pad Roller Arm Retaining Screw (2 req'd.)
3072*	Deadstop Mounting Screw (2 req'd.)
SC-1374	Front Grease Plug Screw
SC-1874	Set Screw
SC-2425	Set Screw
SC-2437*	Deadstop Bumper Screw
SC-2443*	Deadstop Bumper Plunger Screw
SC-2510	Side Cover Screw (2 req'd.)

* not used on MSC/SA-TU

Associated Parts

OL-0001	Century Projector Oil (Gallon)
OL-0004	Century Projector Oil, 4 oz.
TU-0380	Century Gear Lubricant



NOTE: Shutter Fine Adjustment (Items 1-6 & Item 23 with associated parts) *not used after 1993.*

INTERMITTENT CARRIAGE & SHORT SHUTTER ADJUSTMENT ASSEMBLY
(82-60104)

<u>Item</u>	<u>Part No.</u>	<u>Description</u>
1	C2-A-31	Intermittent Carriage & Shutter Adjustment Assembly
	C2-A-33	Carriage Assembly
2	CG-0014	Coupling
3	KN-0043	Knob
4	2966	Coupler Set Screw, 10-32 x 1/8"
5	00254000	Knob Screw, 8-32 x 1/4" Fillister Head
6	ST-2378	Shutter Adjusting Shaft

INTERMITTENT CARRIAGE ASSEMBLY (82-60105)

<u>Item</u>	<u>Part No.</u>	<u>Description</u>
7	C2-A-33	Intermittent Carriage Assembly
	V1-A-32	Shutter Adjustment Screw
8	CA-0004	Carriage Casting
9	BR-0012	Bracket Casting
10	GI-0006	Gib Casting
11	NU-0070	Adjustment Nut
12	PN-0022	Rack Pin
13	PN-0811	Gib Pin (2 req'd.)
14	RK-0004	Framing Rack (Order 81-98152)
15	RT-0003	Spring Retainer (2 req'd.)
16	SC-0075	Rack Screw (2 req'd.)
17	00687000	Gib Screw, 1/4-20 x 1/2" Hex Head (2 req'd.)
18	41-51028	Spring Screw, 6-32 x 1/4" Pan Head (2 req'd.)
19	SC-0106	Intermittent Retaining Screw (4 req'd.)
20	SG-0100	Spring
21	WA-0011	Washer
22	WA-0132	Lockwasher

SHUTTER ADJUSTMENT SCREW & COLLAR ASSEMBLY (82-20357)

<u>Item</u>	<u>Part No.</u>	<u>Description</u>
23	V1-A-32	Screw & Collar Assembly
24*	CL-0007	Collar
25*	PN-0103	Pin (3 req'd.)
26*	SC-0061	Screw
27*	CL-0195	Collar
	* Order V1-A-32	

Associated Parts

28	GI-0001	Intermittent Carriage Gib
29	SA-0752	Bracket Screw Spacer (2 req'd.)
30	SC-0071	Gib Screw (2 req'd.)
31	SC-0751	Bracket Screw (2 req'd.)
32	SG-0928	Spring
33	WA-0132	Lockwasher

FRAMING SHAFT ASSEMBLY (82-60095)

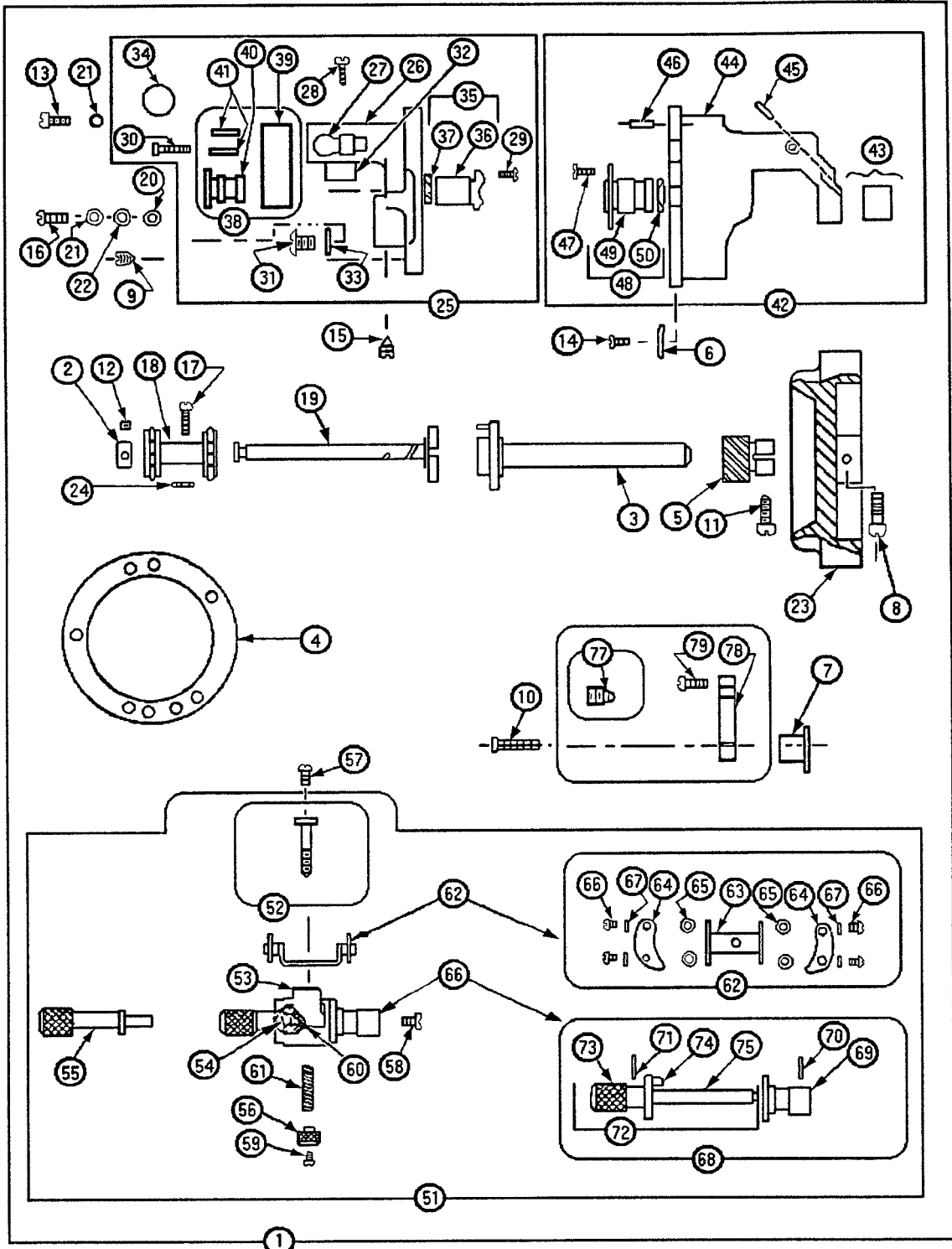
<u>Item</u>	<u>Part No.</u>	<u>Description</u>
34	C1-A-20	Framing Shaft Assembly
	C1-A-21	Shaft & Pinion Assembly
35	CL-0012	Collar
36	CP-0001	Clamp (2 req'd.)
37	KN-0044	Knob
38	41-51107	Screw, 10-32 x 7/8" Fillister Head
39	SC-0074	Screw, 1/4-20 x 1/4"
40	SC-0132	Screw, 10-32 x 1-1/8" Fillister Head
41	41-51365	Set Screw, 10-32 x 3/8"
42	SG-0041	Spring
43	WA-0011	Washer

FRAMING SHAFT & PINION ASSEMBLY (C1-A-21)

<u>Item</u>	<u>Part No.</u>	<u>Description</u>
44	C1-A-21	Shaft & Pinion Assembly
45	PI-0004*	Pinion
46	PN-0029*	Pin
47	ST-0001*	Framing Shaft (as shown)
-	10260	Framing Shaft, MSC/SA-TU (not shown)
-	10342	Coupling Gear, 48 Tooth; for 10260 (not shown)

* Order C1-A-21

See TU2020C, TU2030C Drawing in MSC/SA-TU Manual for MSC/SA-TU Framing Shaft Components.



INTERMITTENT MOVEMENT ASSEMBLY (82-60006)

<u>Item</u>	<u>Part No.</u>	<u>Description</u>
1	H1-BB-30C	Intermittent Movement Assembly, 35mm
	H1-BB-16*	Intermittent Cover Assembly
	H1-BB-17*	Intermittent Case Assembly
	H1-BB-26*	Sprocket Pad Assembly
	H1-BB-31*	Cam Thrust Assembly
2	CL-0624	Outboard Collar, Starwheel Shaft
3	CM-0528	Camshaft **
4	GA-0181	Gasket
5	GR-0007	Camshaft Gear
6	PE-0038	Intermittent Stop Plate
7	SA-1321	Cam Thrust Spacer
8	41-51201	Flywheel Screw, 8-32 x 3/4" Socket Head
9	SC-0039	Adjusting Screw (2 req'd.)
10	SC-0069	Cam Thrust Screw
11	00259000	Gear Screw, 8-32 x 5/8" Fillister Head
12	SC-0579	Collar Screw (2 req'd.)
13	SC-1047	Cover Screw (4 req'd.)
14	SC-0134	Stop Plate Screw, 6-32 x 3/8" Hex Head
15	SC-0155	Pad Retaining Set Screw, 1/4-20 x 3/8" Cone Point
16	SC-1010	Oil Drain Screw, 8-32 x 1/2" Fillister Head
17	SC-1322	Sprocket Screw, 5-40 x .55"
18	SK-0025	Intermittent Sprocket, 35mm VKF®
19	SX-1323*	Starwheel Shaft **
20	WA-0012	Drain Seal Washer
21	41-70002	Cover Washer (5 req'd.)
22	WA-0126	Steel Washer
23	WH-0124	Flywheel
24	NU-0081	Lock Nut

* Not Sold as Assembly - Replace Individual Components

** Order Starwheel & Camshaft in *matched pairs*

Factory Rebuilt Century Intermittent Movements are available under a Repair/Exchange program. Contact an authorized Strong International Equipment Dealer for detailed information and a Return Authorization. Strong International assumes *no liability* for goods returned to the factory without prior authorization.

INTERMITTENT COVER ASSEMBLY (H1-BB-16*)

<u>Item</u>	<u>Part No.</u>	<u>Description</u>
25	H1-BB-16	Intermittent Cover Assembly
	H1-BB-35	Inner Star Bushing & Ring
	H1-BB-34	Front Starwheel Bearing Bracket
26	CR-0297	Cover (Order H1-BB-16)
27	CU-0658	Oil Cup
28	SC-0094	Stripper Screw, 6-32 x 1/8" Bind Head
29	SC-0105	Inner Bushing Screw, 4-40 x 1/4" (3 req'd.)
30	41-51195	Outer Bracket Screw, 6-32 x 1/2" Soc. Head (2 req'd.)
31	SC-0217	Plug Screw
32	SP-1326	Film Stripper
33	WA-0028	Plug Screw Washer
34	GG-0019	Sight Glass
34A	GA-0020	Sight Glass Gasket
34B	NU-0010	Nut

INNER STAR BUSHING ASSEMBLY (82-60230)

<u>Item</u>	<u>Part No.</u>	<u>Description</u>
35	H1-BB-35	Inner Star Bushing
36	BU-1256	Bushing (Order H1-BB-35)
37	RI-0576	Seal Ring

FRONT STARWHEEL BEARING BRACKET ASSEMBLY (H1-BB-34*)

<u>Item</u>	<u>Part No.</u>	<u>Description</u>
38	H1-BB-34*	Bearing Bracket Assembly
39		Outer Bracket
40	BU-0646N	Outer Bushing
41	PN-0665	Pin (Order H1-BB-34), 2 req'd.

INTERMITTENT CASE ASSEMBLY (H1-BB-17*)

<u>Item</u>	<u>Part No.</u>	<u>Description</u>
42	H1-BB-17*	Case Assembly
	H1-BB-36	Inner Cam Bushing & Ring
43	BU-0040N	Outer Bushing
44	CS-0529	Case (Order H1-BB-17)
45	PG-0159	Felt Plug
46	PN-0032	Pivot Pin
47	41-51016	Cam Screw, 4-40 x 1/4" Bind Head

* Not Sold as Assembly - Order Individual Components

INNER CAM BUSHING & RING ASSEMBLY (H1-BB-36)

<u>Item</u>	<u>Part No.</u>	<u>Description</u>
48	H1-BB-36	Bushing & Ring Assembly
49	BU-1257	Bushing (Order H1-BB-36)
50	RI-0577	Seal Ring

INTERMITTENT SPROCKET PAD & ARM ASSEMBLY (82-60004)

<u>Item</u>	<u>Part No.</u>	<u>Description</u>
51	C1-BB-26	Sprocket Pad & Arm Assembly
52	C1-BB-27	Stud & Plate Assembly
	C1-BB-28	Sprocket Pad
	C1-BB-29	Pad Stud
53	AR-0046	Arm Casting
54	BL-0018	Detent Ball (2 req'd.)
55	KN-0030	Knob
56	NU-0046	Knurled Nut
57	51-51032	Pad Screw, 6-32 x 1/4" Bind Head
58	41-51061	Knob Screw, 8-32 x 1/4" Bind Head
59	SC-0708	Nut Stop Screw, 3-48 x 1/8" Round Head
60	SG-0021	Ball Spring
61	SG-2511	Compression Spring

INTERMITTENT PAD SPRING STUD & PLATE ASSEMBLY (82-60054)

<u>Part No.</u>	<u>Description</u>
C1-BB-27	Stud & Plate Assembly
PE-0192	Plate (Order C1-BB-27)
SU-0702	Stud (Order C1-BB-27)

INTERMITTENT SPROCKET PAD ASSEMBLY (82-60005)

<u>Item</u>	<u>Part No.</u>	<u>Description</u>
62	C1-BB-28	Sprocket Pad Assembly
63	PA-0194	Inner Sprocket Pad
64	PA-0195	Outer Sprocket Pad (2 req'd.)
65	SA-0033	Spacer (4 req'd.)
66	41-51457	Screw, 4-40 x 5/16" Bind Head (4 req'd.)
67	41-70033	Washer, #4 (4 req'd.)

INTERMITTENT SPROCKET PAD, STUD & BUSHING ASSEMBLY (82-20058)

<u>Item</u>	<u>Part No.</u>	<u>Description</u>
68	C1-BB-29	Stud & Bushing Assembly
	C1-BB-29A	Pad Stud (Order C1-BB-29)
69	BU-0027	Bushing (Order C1-BB-29)
70	PN-0025	Pin
71	PN-0068	Lock Pin

INTERMITTENT SPROCKET PAD STUD ASSEMBLY (82-20254)

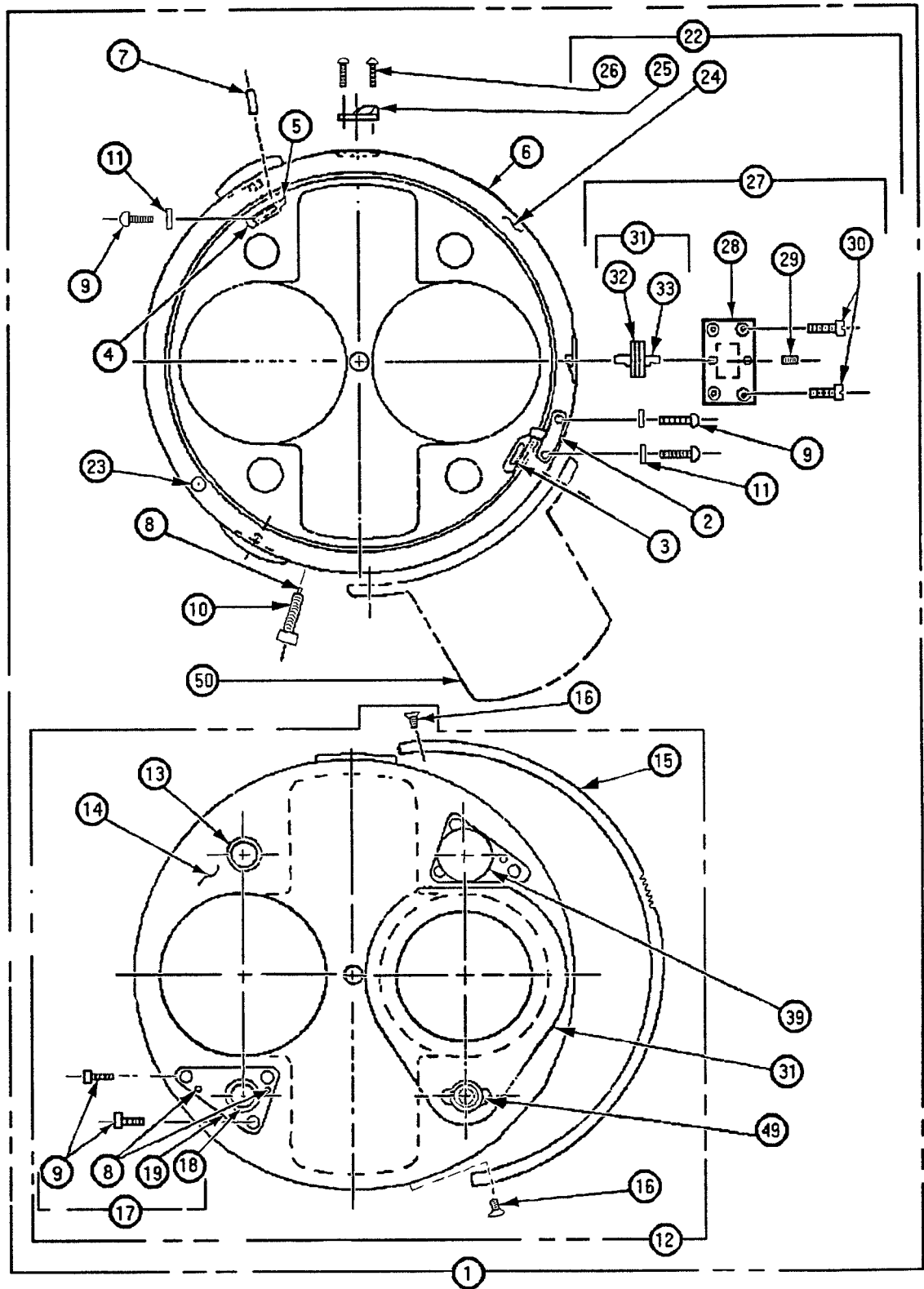
<u>Item</u>	<u>Part No.</u>	<u>Description</u>
72	C1-BB-29A*	Sprocket Pad Stud Assembly
73	KN-0024	Knob
74	PN-0036	Pin
75	SU-0004	Stud

* Sold as Assembly only

CAM THRUST BEARING & BRACKET ASSEMBLY (H1-BB-31*)

<u>Item</u>	<u>Part No.</u>	<u>Description</u>
76	H1-BB-31*	Bearing & Bracket Assembly
77	C1-BB-11	Ball Bearing Assembly
78	BR-0643	Bracket
79	SC-0085	Thrust Screw

* Not Sold as Assembly - Order Individual Components



AUTOMATIC TURRET ASSEMBLY (82-60216), Type "TA"

<u>Item</u>	<u>Part No.</u>	<u>Description</u>
1	T1-A-30	Automatic Turret Assembly
	T1-A-31A*	Turret Housing & Bushing
	T1-A-33*	Outer Ring & Bearing
	T1-A-36	Lens Bushing Assembly (2 req'd.)
	T1-A-37	Lens Focus Rod Assembly (2 req'd.)
	T1-A-38	Pivot Rod, Lens Focus (2 req'd.)
2	BP-1318	Adjustable Stop Bumper (2 req'd.)
3	BR-1308	Stop Bracket, Fixed Location
4	BR-1325	Adjustable Locating Stop Bracket
5	BR-1326	Adjustable Location Stop Bracket
6	DC-0141	Decal
7	PG-1264	Lock Screw Plug
8	4402	Locating Pin, 3/16 x 1/2" (2 req'd.)
9	SC-2413	Stop Mounting Screw, 10-32 x 3/4" (4 req'd.)
10	SC-2416	Turret Lock Screw, 1/4-20 x 1" Knurled Head
11	WA-0346	Lockwasher, #10 (4 req'd.)

TURRET HOUSING & BUSHING ASSEMBLY (T1-A-31A*)

<u>Item</u>	<u>Part No.</u>	<u>Description</u>
12	T1-A-31A*	Housing & Bushing Assembly
	T1-A-32	Focus Block & Bushing Assembly
13	BU-1314	Bushing (4 req'd.)
14	HS-0146	Inner Ring Housing
15	RI-0615	Gear Sector (early models)
16	SC-1145	Screw (early models)

FOCUS BLOCK & BUSHING ASSEMBLY (T1-A-32)

<u>Item</u>	<u>Part No.</u>	<u>Description</u>
17	T1-A-32	Block & Bushing Assembly
18	BK-1315	Block
19	BU-1313	Bushing
20	4402	Dowel Pin, 3/16 x 1/2" (2 req'd.)
21	3041	Screw, 10-32 x 3/8" Socket Head (3 req'd.)

* Not Sold as Assembly - Order Individual Components

NOTE: Type "TA" Turret replaced by Type TU2020C & TU2030C in April 1997.
See MSC/SA-TU Manual for New Turret.

TURRET RING ASSEMBLY (T1-A-33*)

<u>Item</u>	<u>Part No.</u>	<u>Description</u>
22	T1-A-33*	Turret Ring Assembly
	T1-A-34	Ball Bearing Bracket (3 req'd.)
23	BN-1316	Back Stop Bumper Plug
24	HS-0149	Outer Ring
25	PE-1261	Latch Plate
26	SC-2472	Mounting Screw, 1/4-20 x 3/8" Button Head (2 req'd.)

BALL BEARING & BRACKET ASSEMBLY (T1-A-34*)

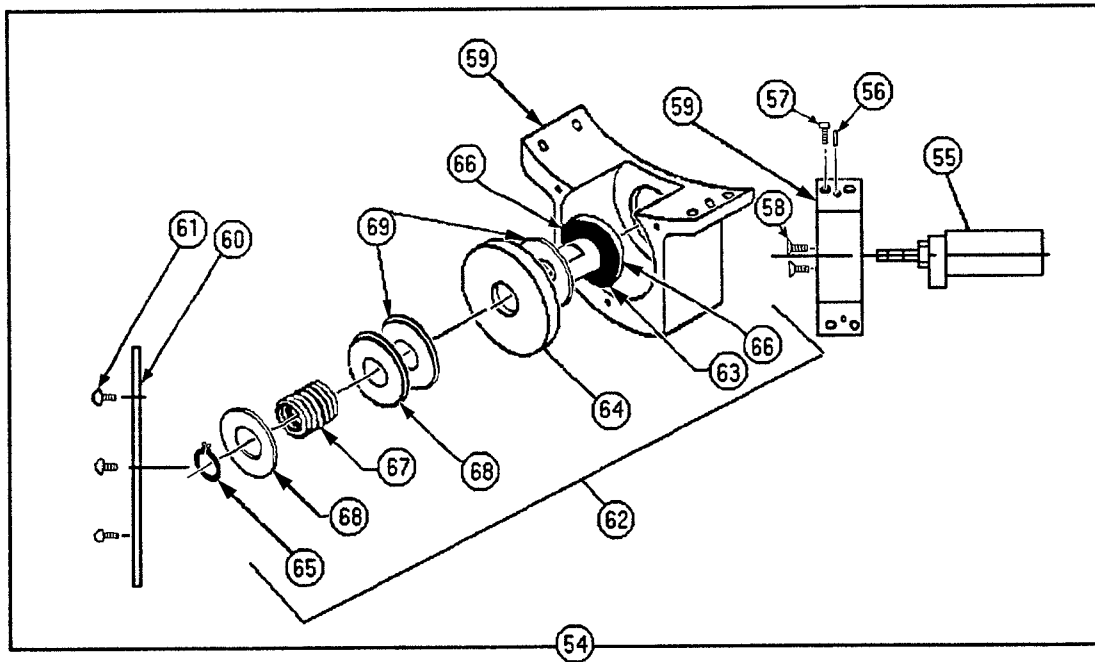
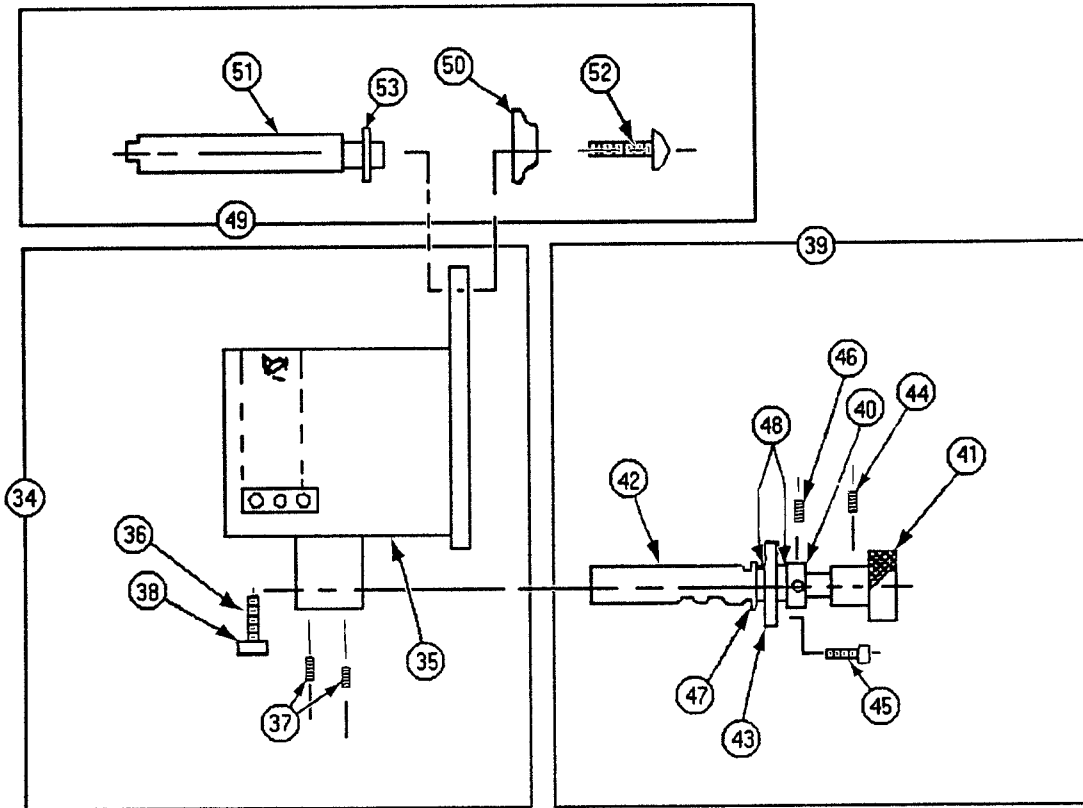
<u>Item</u>	<u>Part No.</u>	<u>Description</u>
27	T1-A-34*	Bearing & Bracket Assembly
	T1-A-35	Shaft & Bearing
28	BR-1312	Bearing Bracket
29	SC-0673	Adjustment Screw (2 req'd.)
30	41-51208	Mounting Screw, 10-32 x 1/2" Socket Head (4 req'd.)

BEARING & SHAFT ASSEMBLY (82-60149)

<u>Item</u>	<u>Part No.</u>	<u>Description</u>
31	T1-A-35*	Bearing & Shaft Assembly (<i>Sold as Assembly only</i>)
32	BG-1260A	Ball Bearing (3 req'd.)
33	RD-0609	Rod

* Not Sold as Assembly - Order Individual Components

NOTE: Type "TA" Turret replaced by Type TU2020C & TU2030C in April 1997.
See MSC/SA-TU Manual for New Turret.



LENS BUSHING ASSEMBLY

<u>Item</u>	<u>Part No.</u>	<u>Description</u>
34	T1-A-*36	Lens Bushing Assembly
35	BU-1305	Bushing, Lens Holder
36	PG-1264	Screw Plug
37	SC-0905	Focus Rod Set Screw, 1/4-20 x 1/4" (2 req'd.)
38	SC-2498	Lens Clamping Screw

LENS FOCUS ROD ASSEMBLY

<u>Item</u>	<u>Part No.</u>	<u>Description</u>
39	T1-A-37A	Focus Rod Assembly
40	CL-0554	Focus Collar
41	KN-0045	Knob
42	RD-0610	Focus Rod (Order T1-A-37A)
43	SA-1226	Spacer
44	41-51180	Knob Set Screw, 10-32 x 3/8"
45	SC-0105	Mounting Screw, 4-40 x 1/4" Fillister Head (3 req'd.)
46	SC-1236	Collar Set Screw, 10-32 x 3/16" (2 req'd.)
47	SC-1362	Focus Screw
48	WA-0163	Focus Washer

LENS FOCUS PIVOT ROD ASSEMBLY (T1-A-38*)

<u>Item</u>	<u>Part No.</u>	<u>Description</u>
49	T1-A-38*	Pivot Rod Assembly
50	CL-0866	Collar
51	RD-0611	Rod (Order T1-A-38)
52	41-51564	Fastening Screw, 10-32 x 1/2" Socket Head
53	WA-0135	Washer

* Not Sold as Assembly - Order Individual Components

NOTE: Type "TA" Turret replaced by Type TU2020C & TU2030C in April 1997.
See MSC/SA-TU Manual for New Turret.

TURRET MOTOR & BRACKET ASSEMBLY (T1-A-60), Type "TA" Turret

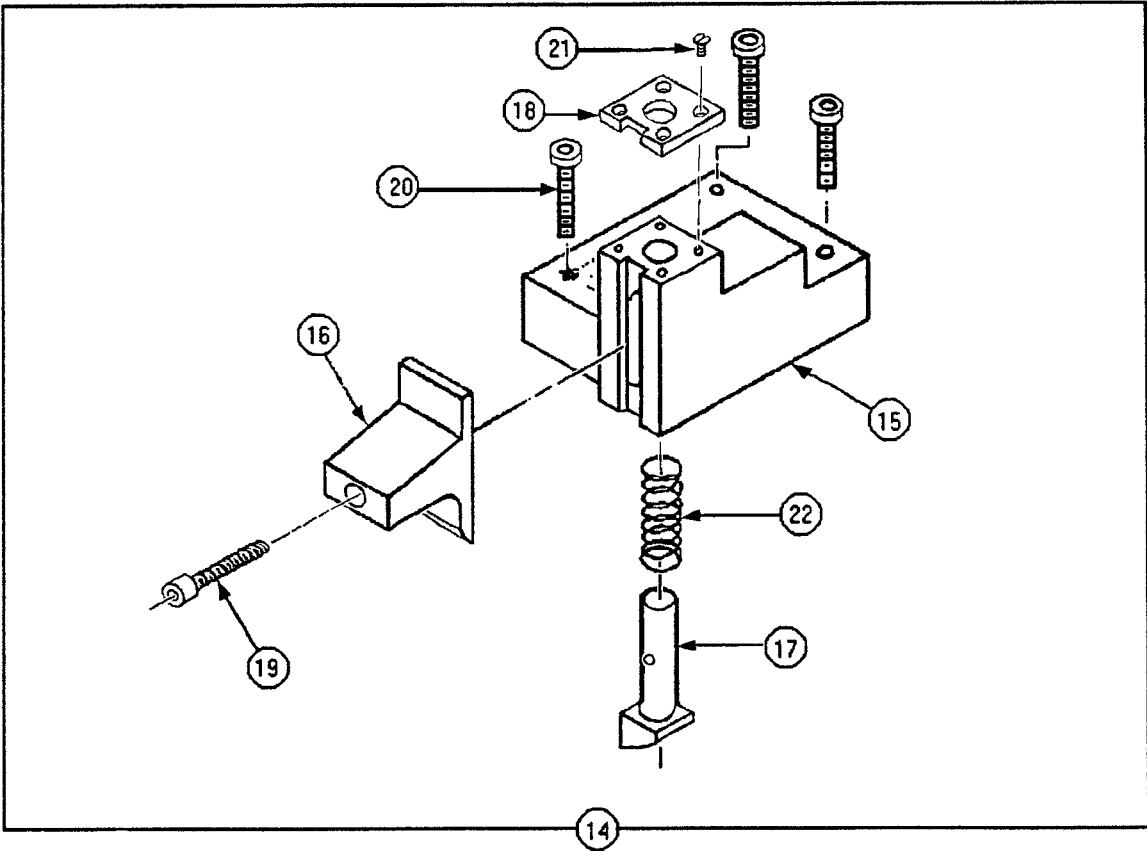
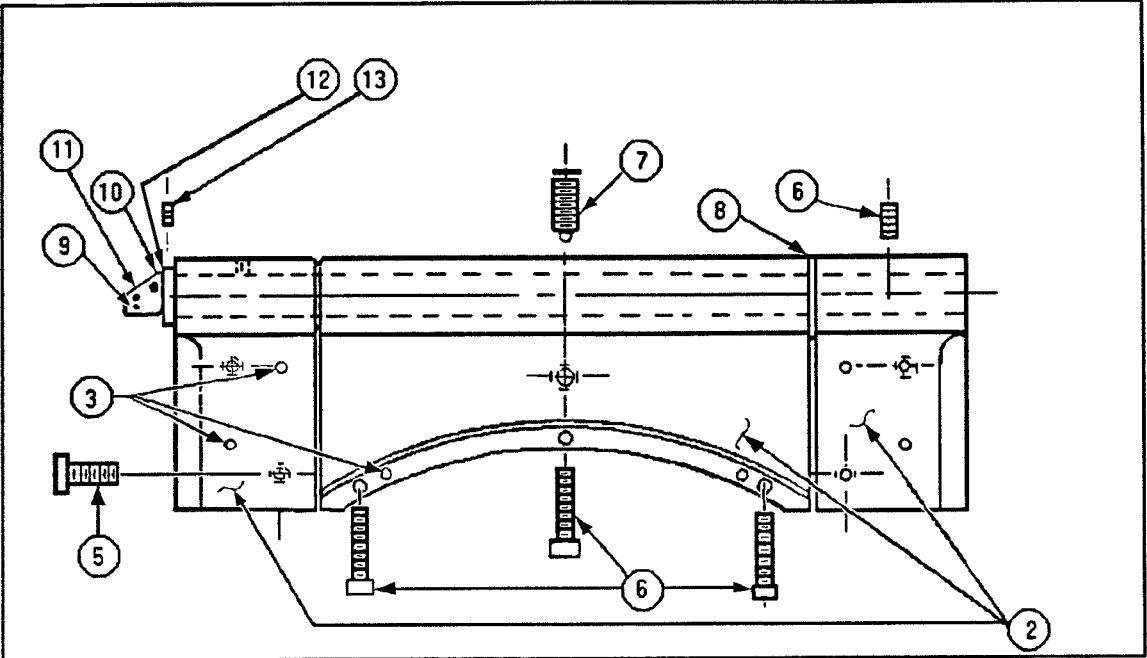
<u>Item</u>	<u>Part No.</u>	<u>Description</u>
54	T1-A-60	Turret Motor & Bracket Assembly
	T1-A-42	Bracket Housing
	T1-A-59	Gear & Clutch Assembly
55	MO-0134	Motor
56	PN-0786	Locating Pin (2 req'd.)
57	3069	Bracket Mounting Screw, 1/4-20 x 5/8" (4 req'd.)
58	SC-2414	Motor Mounting Screw, 10-32 x 1/2" (4 req'd.)
59	BR-1306*	Housing Bracket
60	PE-1263*	Bracket Cover (81-29011)
61	SC-2415*	Plate Screw (3 req'd.)

* Order T1-A-60

GEAR & SLIP CLUTCH for AUTOMATIC TURRET MOTOR (T1-A-59)

<u>Item</u>	<u>Part No.</u>	<u>Description</u>
62	T1-A-59	Gear & Slip Clutch
63	FL-0189	Flange
64	GR-0332	Gear
65	RI-0643	Retaining Ring
66	SC-0673	Flange Set Screw, 8-32 x 3/8" (2 req'd.)
67	SG-2492	Compression Spring
68	WA-0382	Brake Washer (2 req'd.)
69	WA-0342	Brake Washer (2 req'd.)

NOTE: Type "TA" Turret replaced by Type TU2020C & TU2030C in April 1997.
See MSC/SA-TU Manual for New Turret.



TURRET MOUNTING HINGE ASSEMBLY (82-60208)

<u>Item</u>	<u>Part No.</u>	<u>Description</u>
1	T1-A-11	Turret Hinge Assembly
	T1-A-12*	Hinge Pin
2	T1-A-13	Hinge Bracket (Order T1-A-11)
3	PN-0786	Mounting Pin (6 req'd.)
4	3052	Lock Set Screw, 1/4-20 x 3/8" (2 req'd.)
5	SC-1689	Bracket Mounting Screw, 1/4-20 x 3/8" (4 req'd.)
6	2982	Turret Mounting Screw, 10-32 x 1-1/4" (3 req'd.)
7	SC-2436	Bumper Screw, 1/2-13 x 3/4"
8	WA-0349	Bearing Washer
9	BR-1333	Upper Stop Bracket
10	BR-1334	Lower Stop Bracket
11	SC-2472	Fastening Screw (4 req'd.)

TURRET HINGE PIN ASSEMBLY (T1-A-12*)

<u>Item</u>	<u>Part No.</u>	<u>Description</u>
	T1-A-12*	Hinge Pin
12	FT-0185	Grease Fitting
	PN-1260	Pin (Order T1-A-12*)
13	SC-0585	Set Screw, 10-32 x 3/16" (2 req'd.)

* Not Sold as Assembly - Order Individual Components

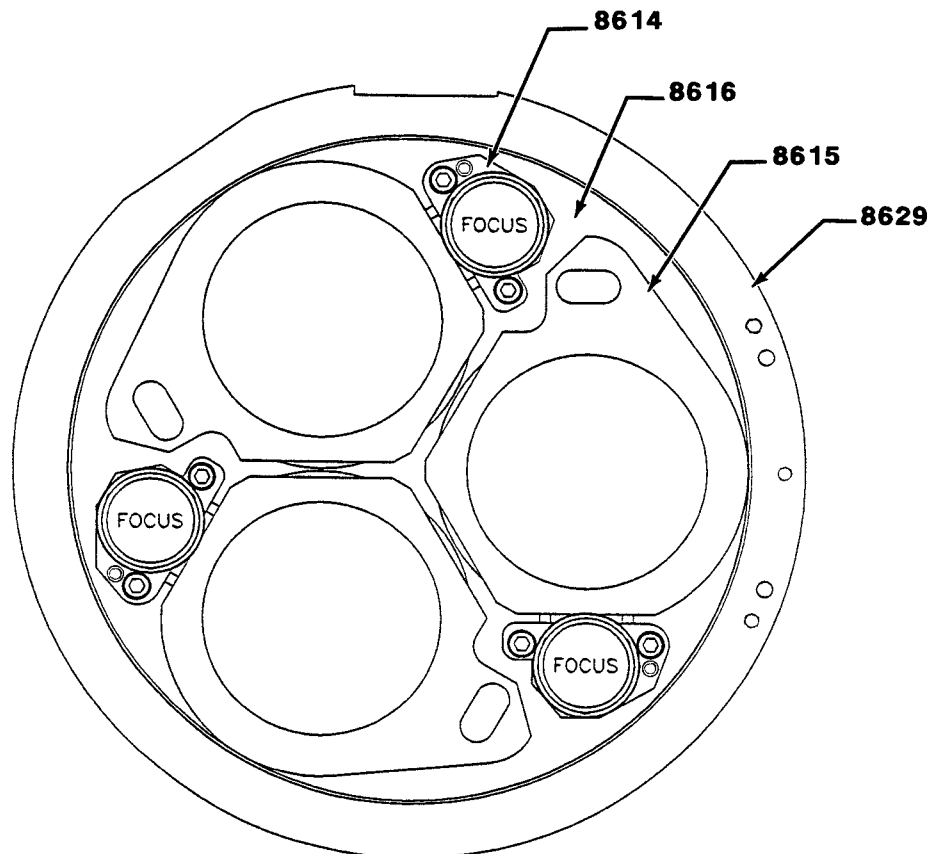
TURRET TOP LOCK ASSEMBLY (T1-A-20)

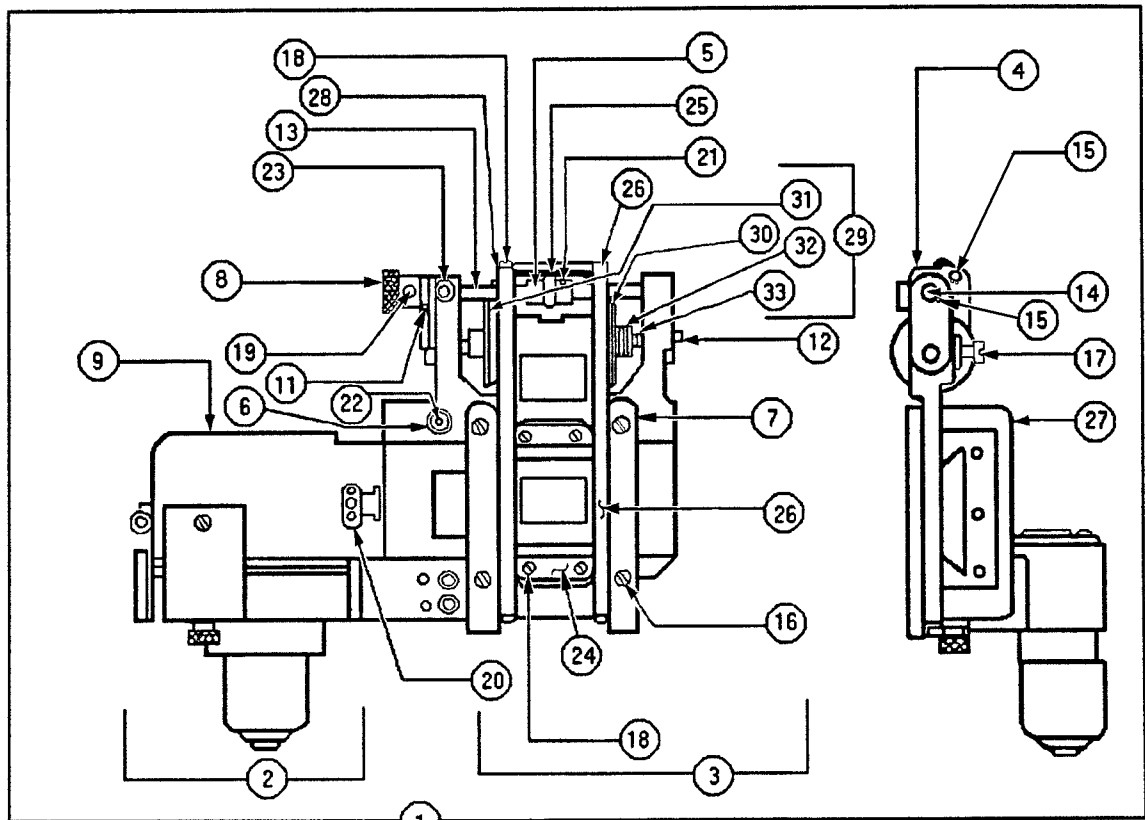
<u>Item</u>	<u>Part No.</u>	<u>Description</u>
14	T1-A-20	Turret Top Lock
15	BK-1309	Housing Block
16	LA-0116	Latch
17	LO-0115	Lock Pin
18	PE-1259	Retaining Plate
19	SC-1045	Fastening Screw, 8-32 x 1" Socket Head
20	41-51208	Block Screw, 10-32 x 1/2" Socket Head (3 req'd.)
21	41-51591	Plate Screw, 6-32 x 3/8" Flat Head (4 req'd.)
22	SG-2403	Lock Spring

NOTE: Type "TA" Turret replaced by Type TU2020C & TU2030C in April 1997.
See MSC/SA-TU Manual for New Turret.

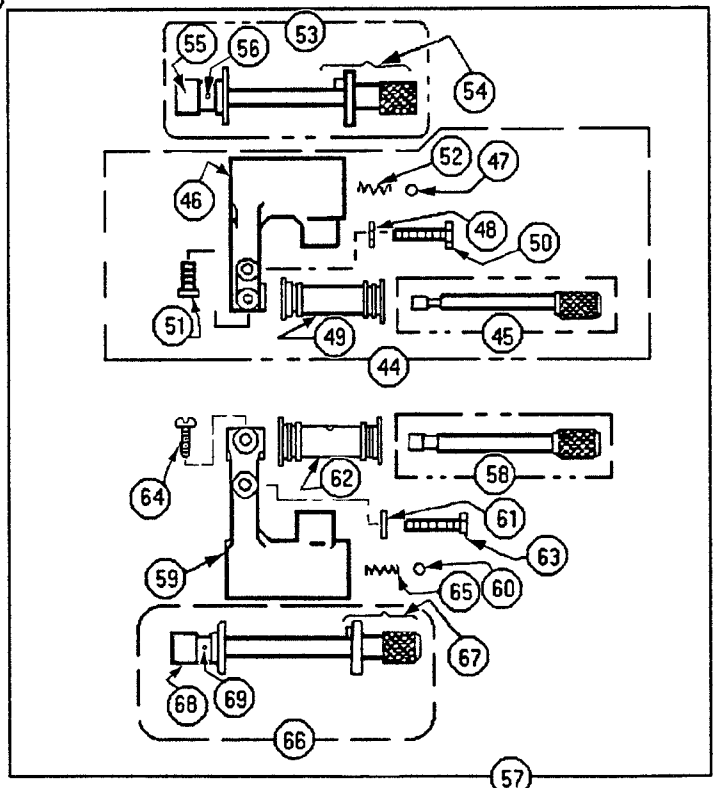
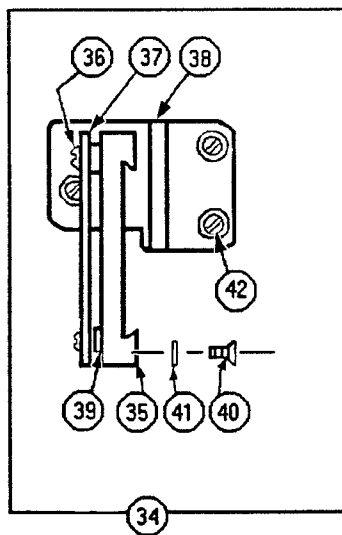
MODIFIED PARTS for THREE-LENS TYPE "TA" TURRET (82-60076)

<u>Part No.</u>	<u>Description</u>
8614	Focus Rod Bushing (ref. Page 13, Item 19); 3 req'd.
8615	Lens Bushing (ref. Page 13, Item 35); 3 req'd.
8616	Inner Ring (ref. Page 13, Item 14)
9451	Turret Gear, Aluminum
8629	Outer Ring Housing (ref. Page 13, Item 24)
T1-A-40	Turret Motor & Bracket Assembly (ref. Page 13, Item 54)
MO-0107	Motor (ref. Page 13, Item 55)
9425	Tubular Solenoid Assembly, Index Stop
81-55001	Solenoid
51-17001	Diode, 1N4077
21-40011	Molex Plug
21-62036	Molex Pin (2 req'd.)
8627	Solenoid Pin, 1/2" Hardened Steel
8625	Solenoid Mounting Block
8620	Catch, Solenoid Pin (3 req'd.)





1



FILM TRAP & AUTOMATIC APERTURE CHANGER (82-60259)

<u>Item</u>	<u>Part No.</u>	<u>Description</u>
1	LC-T-120A	Film Trap & Automatic Aperture Changer
2	AC-T-100A	Automatic Aperture Changer (see Page 25)
	A2-E-10	Film Trap Assembly

FILM TRAP ASSEMBLY for APERTURE CHANGER (82-60093)

<u>Item</u>	<u>Part No.</u>	<u>Description</u>
3	A2-E-10	Film Trap Assembly
	A1-E-12	Lateral Guide Roller Assembly
4	A1-E-13	Spring Block & Pin Assembly (2 req'd.)
5	CM-0685	Shoe Tension Cam
6	EC-0030	Aperture Stop, Eccentric (2 req'd.)
7	GU-0315	Studio Guide (2 req'd.)
8	KN-0070	Knob, Tension Adjust
9	PE-1291-E8/15	Dual Aperture Plate
-	8648	Triple Aperture Plate (not shown)
10	PN-0519	Aperture Plate Stop Pin
11	PN-0824	Tension Stop Pin
12	PT-0033	Guide Roller Pivot (2 req'd.)
13	RD-0281	Spring Block Rod
14	RD-0282	Eccentric Cam Shaft
15	P-4089	Retaining Ring for .156" O.D. (3 req'd.)
16	SC-0128	Guide Screw (4 req'd.)
17	SC-0134	Pivot Retaining Screw (2 req'd.)
18	41-51271	Screw, Strap & Spring, 2-56 x 1/8" (8 req'd.)
19	P-1971	Knob Set Screw, 8-32 x 1/8"
20	SC-1800	Thumb Screw
21	P-1971	Cam Set Screw, 8-32 x 1/8"
22	SC-2118	Mounting Screw, Eccentric Bushing (2 req'd.)
23	SC-2431	Knob Screw
24	SG-1484	Aperture Plate Spring (2 req'd.)
25	SG-1802	Cam Spring
26	SH-1811	Trap Shoe (Tension Strap), 2 req'd.
27	TP-0171	Trap Casting
28	WA-0245	Strap Washer (2 req'd.)

LATERAL GUIDE ROLLER ASSEMBLY (A1-E-12)

<u>Item</u>	<u>Part No.</u>	<u>Description</u>
29	A1-E-12	Lateral Guide Roller Assembly
30	RO-0283	Inner Roller
31	RO-0284	Outer Roller
32	SG-0124	Compression Spring
33	2933	Retaining Ring for .250" O.D.

FILM TRAP SUPPORT GIB & HEAT SHIELD ASSEMBLY (82-60092)

<u>Item</u>	<u>Part No.</u>	<u>Description</u>
34	A1-E-70	Support Gib & Heat Shield Assembly
35	GI-0225	Gib Casting
36	SC-1842	Heat Shield Screw, 5-40 x 5/16" Bind Head (4 req'd.)
37	SD-1808	Heat Shield
38	SO-1804	Trap Support
39	SA-1942	Heat Shield Spacer (4 req'd.)
40	41-51016	Support Screw, 4-40 x 1/4" Bind Head (3 req'd.)
41	WA-0088	Washer (3 req'd.)

Associated Parts

42	SC-0137	Trap Support Mounting Screw, 1/4-20 x 1/2" (3 req'd.)
----	---------	---

See Page 53 for Water Cooled Trap Support.

UPPER PAD ROLLER ARM ASSEMBLY (82-60096)

<u>Item</u>	<u>Part No.</u>	<u>Description</u>
44	C1-C-10	Upper Pad Roller Arm Assembly
	C1-C-13	Pad Roller Stud
45	C1-C-21	Pad Roller Shaft & Knob
46	AR-0001	Arm Casting
47	2908	Detent Ball (2 req'd.)
48	NU-0008	Lock Nut
49	R3-400	Roller
50	SC-0087	Pad Roller Adjust Screw, 8-32 x 7/8" Hex Head
51	41-51416	Pad Roller Shaft Set Screw, 6-32 x 3/8" Hex Head
52	SG-0021	Spring

UPPER PAD ROLLER ARM STUD, KNOB, & BUSHING ASSEMBLY (82-20304)

<u>Item</u>	<u>Part No.</u>	<u>Description</u>
53	C1-C-13	Stud, Knob, & Bushing Assembly
54	C1-C-11*	Stud & Knob
55	BU-0027*	Bushing
56	PN-0025*	Pin

* Order C1-C-13; Sold as Assembly only

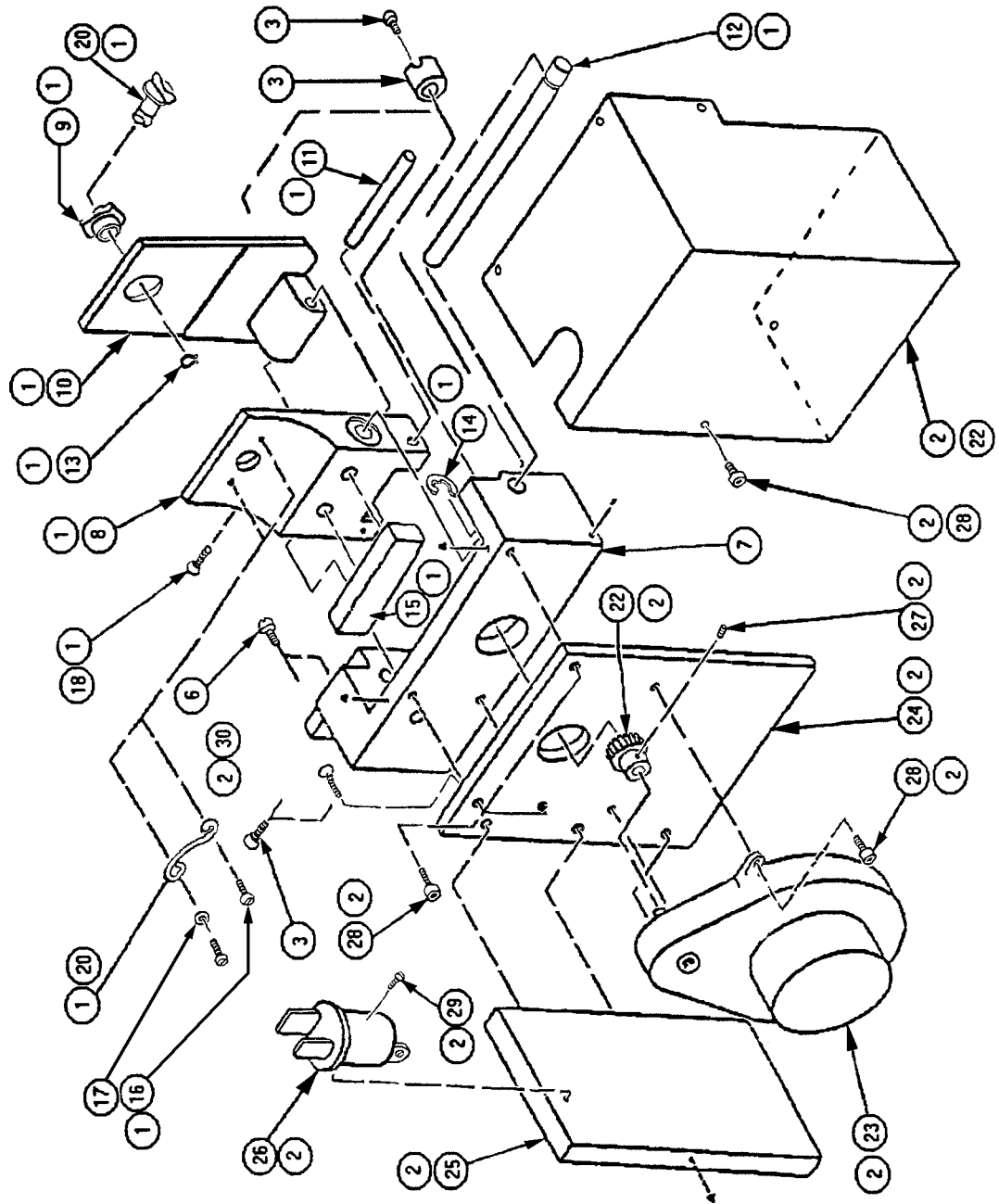
LOWER PAD ROLLER ARM ASSEMBLY (82-60097)

<u>Item</u>	<u>Part No.</u>	<u>Description</u>
57	C1-C-40	Lower Pad Roller Arm Assembly
58	C1-C-21	Shaft & Knob
	C1-C-41	Lower Pad Roller Assembly
59	AR-0021	Arm Casting
60	2908	Detent Ball (2 req'd.)
61	NU-0008	Lock Nut
62	R2-400	Roller
63	SC-0087	Pad Roller Adjust Screw, 8-32 x 7/8" Hex Head
64	41-51416	Pad Roller Shaft Set Screw, 6-32 x 3/8" Hex Head
65	SG-0021	Spring

LOWER PAD ROLLER ARM, STUD, KNOB, & BUSHING ASSEMBLY (82-20372)

<u>Item</u>	<u>Part No.</u>	<u>Description</u>
66	C1-C-41	Arm, Stud, Knob, & Bushing Assembly
67	C1-C-42*	Arm, Stud, & Knob
68	BU-0027*	Bushing
69	PN-0025*	Pin

* Order C1-C-41; *Sold as Assembly only*



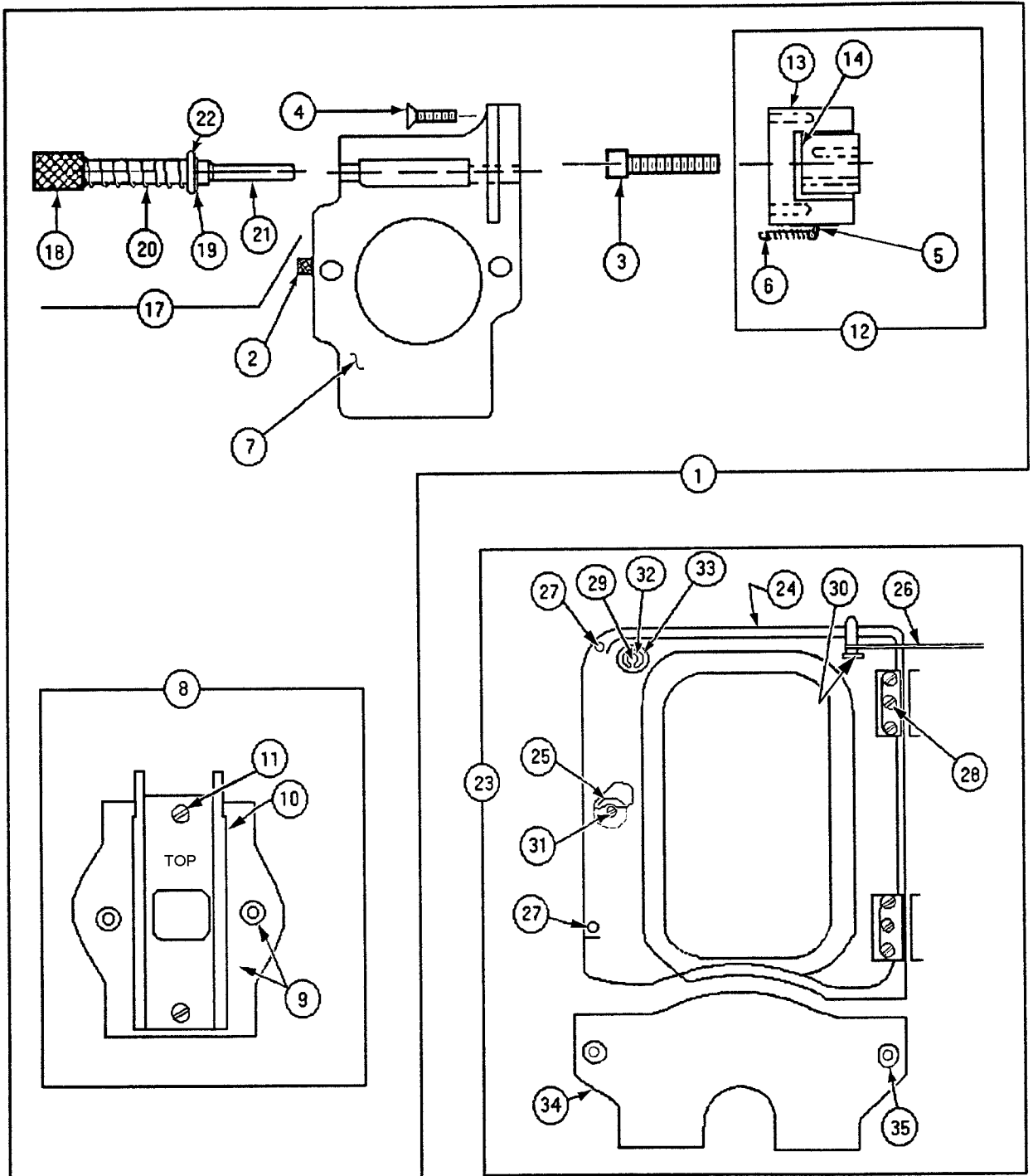
AUTOMATIC APERTURE CHANGER ASSEMBLY (82-60094)

<u>Item</u>	<u>Part No.</u>	<u>Description</u>
1	AC-T-100*	Aperture Carriage Assembly
2	AC-T-120A*	Aperture Motor, Plate & Receptacle Assembly
3	EC-0030	Eccentric Bushing (2 req'd.)
		Aperture Plate PE-1291-E8/15 not shown
5	SC-2117	Screw, 4-40 x 3/8" Socket Head (4 req'd.)
6	P-1757	Screw, 4-40 x 1/4" Socket Head (2 req'd.)
7	SO-2473	Aperture Changer Support
	AC-T-110*	Aperture Carriage Assembly
8	BR-1371	Slider Bracket
9	BU-1366	Bushing
10	CP-0921	Clamp
11	PN-1294	Hinge Pin
12	RD-0626	Carriage Rod
13	RI-0627	Retaining Ring
14	RI-0828	Rod Retaining Ring
15	RK-0562	Rack Gear
16	SC-1638	Spring Mounting Screw, 3-48 x 3/16 Fillister Head (2 req'd.)
17	WA-0379	Washer (2 req'd.)
18	SC-2276	Rack Mounting Screw, 4-40 x 9/16" (2 req'd.) <i>not shown</i>
19	SG-2475	Spring
20	ST-2474	Latching Stud, Quarter-Turn
	SG-2475	Stud Catch Spring
	AC-T-120A*	Aperture Motor, Plate, & Receptacle Assembly
21	CR-0920	Motor Cover
22	GR-0304B	Pinion Gear
23	MO-0114	Motor, DC Drive
24	PE-1292	Motor Plate
25	PE-1293	Plug Plate
26	PG-1128	Plug, Two-Prong Male (as shown; Dual Aperture)
26	81-40018	Plug, Four-Pin Male (not shown; Triple Aperture)
27	SC-0578	Set Screw, 4-40 x 1/8"
28	P-1757	Screw, 4-40 x 1/4" Socket Head (10 req'd.)
29	SC-2234	Screw, 2-56 x 3/4" Round Head
30	81-71032	Motor Wire, Red (not shown; Order by foot)
31	81-71052	Motor Wire, Black (not shown; Order by foot)
32	SC-0865	Screw, 4-40 x 1/8" Round Head (5 req'd.)

* Not Sold as Assembly - Order Individual Components

Associated Parts

9423	Wire Harness Assembly (to Item 26 Plug), Dual Aperture
SF-2270	Socket, (2) Pin
21-71012	Cable, (2) Conductor (Order by foot)
9427	Wire Harness Assembly (to Item 26 Plug), Triple Aperture
81-40038	Socket, (4) Pin
51-71002	Cable, (4) Conductor (Order by foot)



FILM GATE ASSEMBLY (82-60263)

<u>Item</u>	<u>Part No.</u>	<u>Description</u>
1	T1-A-50	Film Gate Assembly for Turret Projector
	A1-E-40	Pressure Pad & Plate Assembly
	T1-A-56	Slider Assembly
	T1-A-57	Locating Pin Assembly
2	SC-0144	Mounting Screw
3	SC-2408	Slider Mounting Screw (2 req'd.)
4	SC-2418	Support Mounting Screw (4 req'd.)
5	SC-2420	Spring Screw
6	SG-2405	Return Spring
7	SO-2409	Gate Support

PRESSURE PAD & PLATE ASSEMBLY, CURVED (82-60049)

<u>Item</u>	<u>Part No.</u>	<u>Description</u>
8	A1-E-40	Pressure Pad & Plate
9	A1-E-41	Plate & Studs
10	PA-0853	Pressure Pad Runner, Curved
11	41-51034	Mounting Screw, 6-32 x 1/4" Flat Head (2 req'd.)

GATE SLIDE ASSEMBLY (82-00061)

<u>Item</u>	<u>Part No.</u>	<u>Description</u>
12	T1-A-56	Slide Assembly
13	BR-1319*	Bracket
14	SL-2411*	Base

* Order T1-A-56; *Sold as Assembly only*

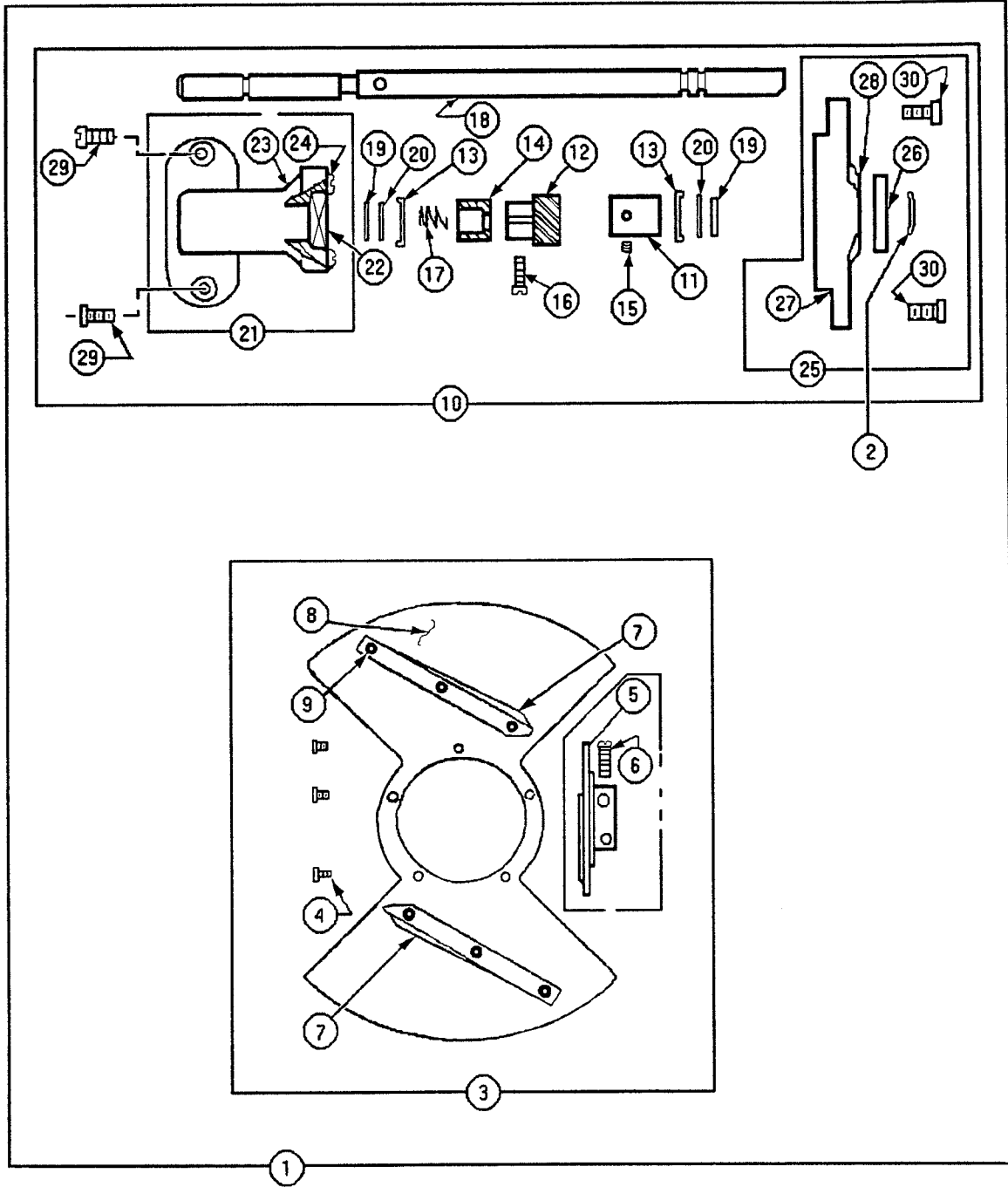
GATE LOCATING PIN ASSEMBLY (T1-A-57)

<u>Item</u>	<u>Part No.</u>	<u>Description</u>
17	T1-A-57	Gate Locating Pin Assembly
18	KN-0010*	Knob
19	RI-0618	Spring Retaining Pin
20	SG-2406	Compression Spring
21	ST-2410*	Shaft
22	SA-2442	Spacer

* Order T1-A-57

GEAR COMPARTMENT DOOR ASSEMBLY (82-60053)

<u>Item</u>	<u>Part No.</u>	<u>Description</u>
23	J1-A-13	Gear Compartment Door Assembly
24	DO-0072	Door Casting
25	KN-0047	Pull Knob
26	LI-0007	Door Link
27	SB-0060	Felt Bumper (2 req'd.)
28	41-51061	Hinge Screw, 8-32 x 1/4" Bind Head (6 req'd.)
29	ST-2465	Door Fastening Stud, Quarter-Turn
30	SC-0226	Link Screw
31	41-51073	Knob Screw, 8-32 x 1/2" Bind Head
32	RI-0624	Retaining Ring
33	SG-2464	Door Fastening Spring



SHUTTER & SHAFT ASSEMBLY (H4-D-40X*)

<u>Item</u>	<u>Part No.</u>	<u>Description</u>
1	H4-D-40X*	Shutter & Shaft Assembly, Complete
	C1-D-50S	Shutter Blade Assembly, 100° 1/32"
	H1-D-44X	Shutter Shaft Assembly
2	SG-0016	Shutter Hub Spacer Spring

* Not Sold as Assembly - Order Individual Components

STEEL SHUTTER BLADE ASSEMBLY, LARGE DIAMETER, 100° (82-60001)

<u>Item</u>	<u>Part No.</u>	<u>Description</u>
3	C1-D-50S	Shutter Blade Assembly, 1/32" Steel
4	SC-0128	Shutter & Hub Screw (5 req'd.)
5	HB-0044	Hub
6	41-51201	Hub Clamp Screw, 8-32 x 3/4" Socket Head (2 req'd.)
7	BD-0026	Blade, Shutter Vane
8	BD-1465	Shutter Blade, 100°
9	RV-0647	Vane Rivet

SHUTTER SHAFT & BRACKET ASSEMBLY, SINGLE (82-60036)

<u>Item</u>	<u>Part No.</u>	<u>Description</u>
10	H1-D-44X	Shutter Shaft & Bracket Assembly
	C2-D-42	Front Shutter Bracket Assembly
	C1-D-45	Rear Shutter Bracket Assembly
11	CL-0128	Thrust Collar
12	GR-0007	Steel Gear
13	RT-0061	Bearing Retainer (2 req'd.)
14	RT-0062	Pressure Spring Retainer
15	41-51176	Collar Set Screw, 10-32 x 3/16"
16	00259000	Gear Screw, 8-32 x 5/8" Fillister Head
17	SG-2494	Pressure Spring
18	ST-1397X	Shutter Shaft
19	WA-0131	Thrust Washer (2 req'd.)
20	WA-0130	Thrust Washer (2 req'd.)

SHUTTER SHAFT BRACKET & BALL BEARING ASSEMBLY (82-60031)

<u>Item</u>	<u>Part No.</u>	<u>Description</u>
21	C2-D-42	Bracket & Bearing Assembly
22	BG-0009	Ball Bearing
23	BR-0186	Front Bracket
24	41-51061	Screw, 8-32 x 1/4" Bind Head

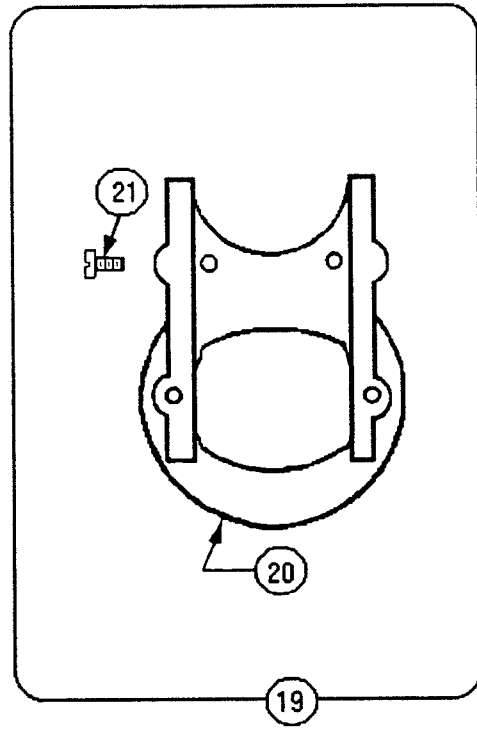
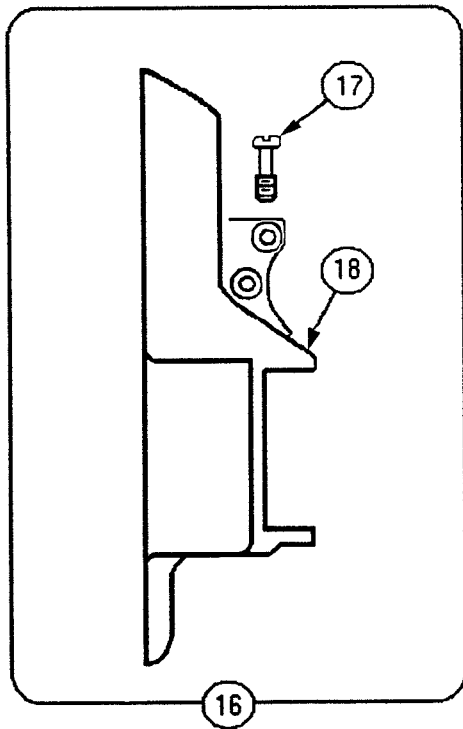
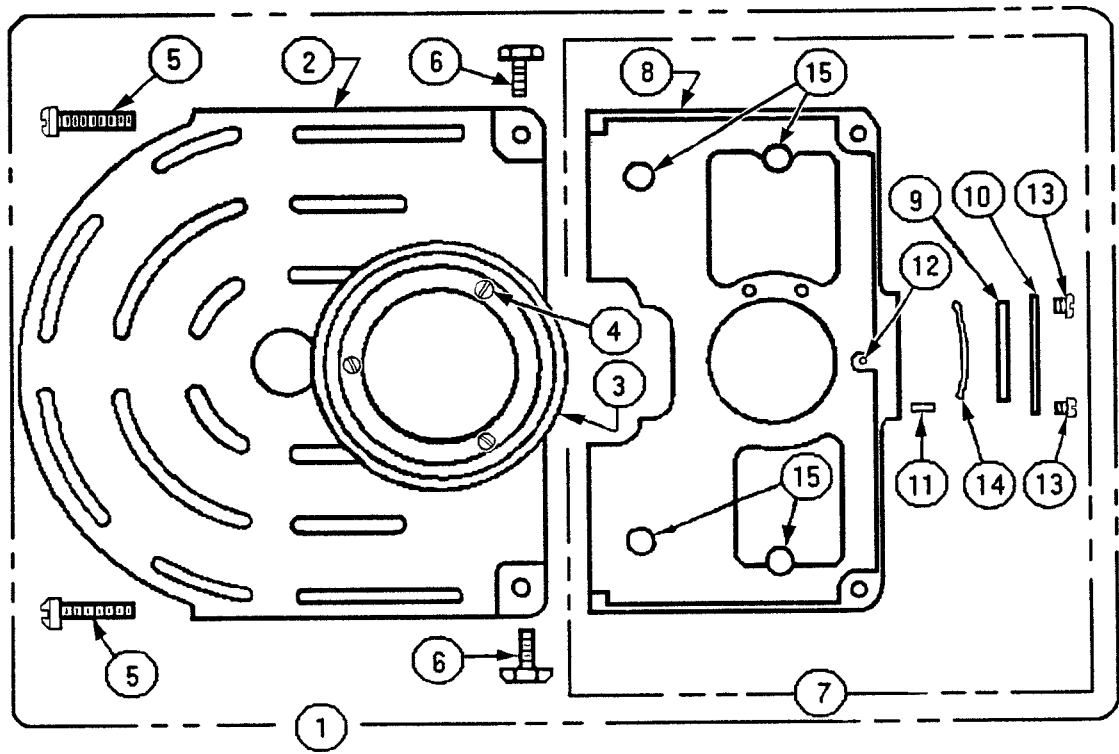
SINGLE SHUTTER BRACKET & BALL BEARING ASSEMBLY (82-60023)

<u>Item</u>	<u>Part No.</u>	<u>Description</u>
25	C1-D-45	Bracket & Bearing Assembly
26	BG-0009	Ball Bearing
27	BR-0014	Rear Bracket
28	41-51061	Screw, 8-32 x 1/4" Bind Head (4 req'd.)

Associated Parts

29	41-51521	Shutter Bracket Mounting Screw (2 req'd.)
30	3072	Shutter Bracket Mounting Screw (4 req'd.)

For *Optional* Double Shutter, See Page 50



SHUTTER GUARD ASSEMBLY (82-60011)

<u>Item</u>	<u>Part No.</u>	<u>Description</u>
1	H1-D-46	Shutter Guard Assembly
	H1-D-43	Shutter Guard, Fixed
2	GD-0185	Shutter Guard, Removable ^{1,2}
3	HD-0076	Hood, Light Shield
4	SC-1265	Screw, 8-32 x 3/8" Fillister Head (3 req'd.)
5	41-51111	Screw, 10-32 x 1-1/4" Fillister Head (2 req'd.)
6	H-2655	Screw, 1/4-20 x 1/2" Hex Head (2 req'd.)

FIXED SHUTTER GUARD ASSEMBLY (H1-D-43*)

<u>Item</u>	<u>Part No.</u>	<u>Description</u>
7	H1-D-43*	Shutter Guard, Fixed
8	GD-0202	Shutter Guard (as shown) ¹
-	GD-0278	Shutter Guard (for use with optional Heat Shield) ²
9	GL-0016	Sight Glass, Tinted
10	HO-0005	Sight Glass Holder
11	PN-0280	Spring Pin
12	PN-0647	Alignment Pin, Shutter Timing
13	41-51011	Glass Holder Screw, 3-48 x 1/4" Bind Head (4 req'd.)
14	SG-0044	Spring

* Not Sold as Assembly - Order Individual Components

Associated Parts

15	SC-1109	Mounting Screw (for GD-0202), 4 req'd.
----	---------	--

¹ May be ordered as "Matched Pairs" (Order 82-20132)

² May be ordered as "Matched Pairs" (Order 82-20310)

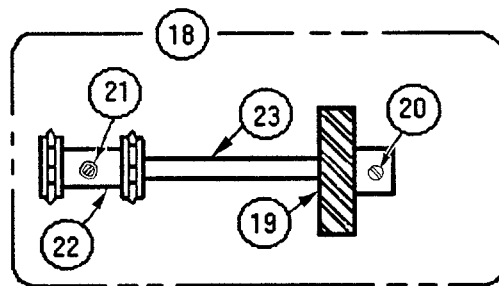
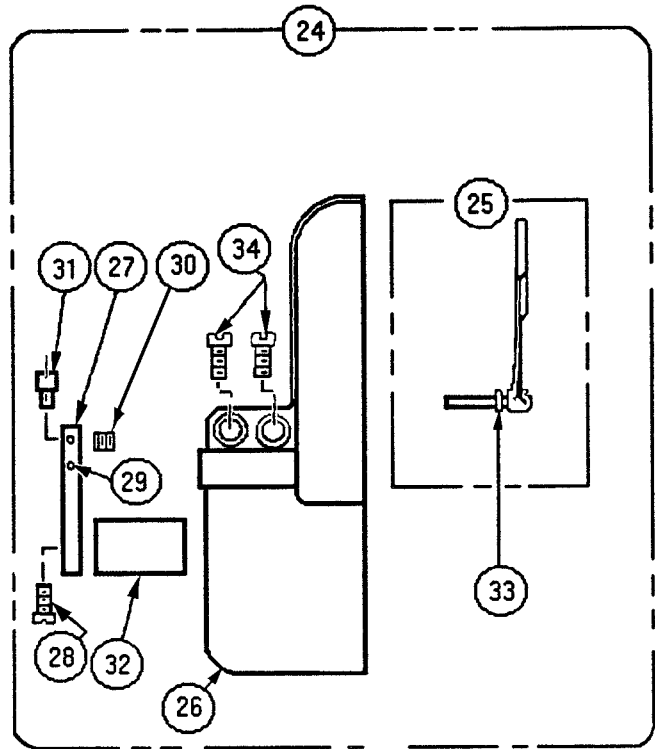
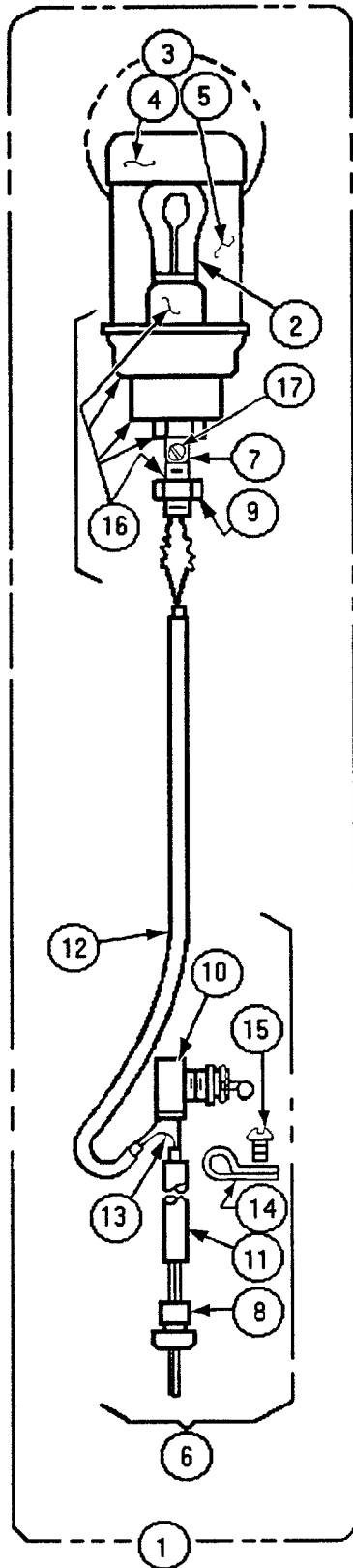
LIGHT SHIELD ASSEMBLY (A1-D-70)

<u>Item</u>	<u>Part No.</u>	<u>Description</u>
16	A1-D-70	Light Shield Assembly
17	SC-0051	Mounting Screw (2 req'd.)
18	SD-1799	Shield Casting

Individual Parts

19	A1-D-80	Douser Guide & Heat Shield
20	SD-1130	Heat Shield, Aluminum
21	00255000	Mounting Screw, 8-32 x 5/16" Fillister Head (2 req'd.)

Douser Plate 9402 included with Changeover Assembly - See Page 55



FRAMING LIGHT ASSEMBLY (82-70047)

<u>Item</u>	<u>Part No.</u>	<u>Description</u>
1	C5-A-50	Framing Light Assembly
	C3-A-53	Framing Light Shield
	C5-A-54	Socket Assembly
2	LP-0122	Bulb, 12 V.AC

FRAMING LIGHT SHIELD ASSEMBLY (82-70008)

<u>Item</u>	<u>Part No.</u>	<u>Description</u>
3	C3-A-53	Framing Light Shield Assembly
4	SD-1997	Cover
5	SD-2477	Glass

FRAMING LIGHT SOCKET & WIRE ASSEMBLY (C5-A-54)

<u>Item</u>	<u>Part No.</u>	<u>Description</u>
6	C5-A-54	Socket & Wire Assembly
	C3-A-55	Socket Assembly
7	WI-0356	Framing Light Cord
8	CP-0890	Cable Clamp
9	NU-0006	Nut
10	SW-0064	Toggle Switch
11	TU-0003	Insulator
12	TU-0004	Insulator
13	WI-0277	White Wire

Associated Parts

14	CP-0883	Cable Clamp
15	41-51032	Clamp Screw, 6-32 x 1/4" Bind Head
	PE-1299	Switch Plate (ON-OFF)
	21-40011	Molex Receptacle
	31-62006	Molex Pin (2 req'd.)
	TF-0368	Stepdown Transformer, 120-12 V.AC (not shown)

FRAMING LIGHT SOCKET ASSEMBLY (82-70030)

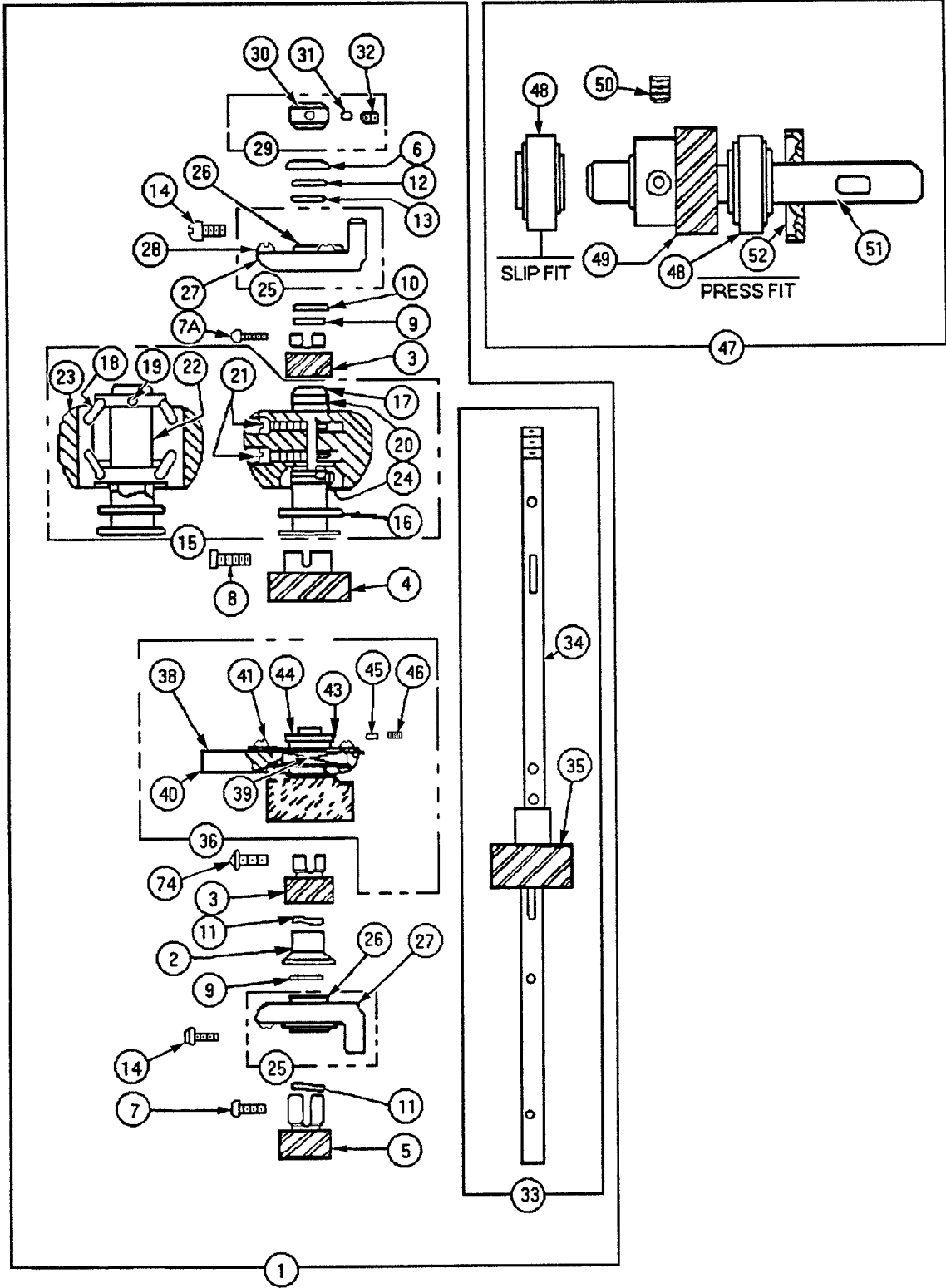
<u>Item</u>	<u>Part No.</u>	<u>Description</u>
16	C3-A-55	Socket Assembly
17	SC-0172	Screw

SPROCKET SHAFT ASSEMBLY, UPPER & LOWER (82-60030)

<u>Item</u>	<u>Part No.</u>	<u>Description</u>
18	C2-D-10	Sprocket Shaft Assembly (2 req'd.)
19	GR-0010	Fibre Gear
20	41-51195	Gear Screw, 6-32 x 1/2" Socket Head
21	41-51038	Sprocket Screw, 6-32 x 1/2" Fillister Head
22	SK-2204	Film Sprocket, 35mm VKF®
23	ST-0002	Sprocket Shaft

AUTOMATIC FIRE SHUTTER SHAFT, *OPTIONAL* (82-60258)

<u>Item</u>	<u>Part No.</u>	<u>Description</u>
24	C1-D-60	Fire Shutter Assembly
25	C1-D-64	Fire Shutter Arm & Shaft Assembly
26	BG-0017	Housing, Cast Aluminum
27	CK-0011	Crank
28	00256000	Screw, 8-32 x 3/8" Fillister Head
29	SC-2468	Set Screw, 8-40 x 1/4" Cone Point (2 req'd.)
30	41-51460	Set Screw, 8-40 x 3/16" Hardened
31	SU-0026	Stud
32	WT-0008	Counterweight
33	WA-0241	Washer
34	SC-0137	Mounting Screw, 1/4-20 x 1/2" Fillister Head (2 req'd.)



SINGLE SHUTTER VERTICAL SHAFT & GOVERNOR ASSEMBLY (82-60086)

Governor Assembly required with *optional* Fire Shutter only

SINGLE SHUTTER VERTICAL SHAFT ASSEMBLY, STANDARD (82-60088)

<u>Item</u>	<u>Part No.</u>	<u>Description</u>
1	M3-G-100A	Vertical Shaft & Governor Assembly
	M3-G-100B	Vertical Shaft Assembly, <i>less</i> Governor
	C1-G-22	Governor Weight Assembly
	C1-G-31	Ball Bearing Bracket (2 req'd.)
	C1-G-44	Upper Thrust Collar
	C3-G-93	Vertical Shaft, Key, & Gear Assembly
	C1-G-95	Intermittent Drive Bracket & Nut
2	CL-0028	Lower Collar (2 req'd.)
3	GR-0005	Sprocket Drive Gear (2 req'd.)
4	GR-0207R	Shutter Drive Gear
5	GR-0182	Vertical Shaft Driven Gear
6	RT-0061	Washer Retainer
7	SC-0668	Gear Screw
7A	00259000	Sprocket Gear Screw, 8-32 x 5/8" Fillister Head (2 req'd.)
8	41-51201	Shutter Gear Screw, 8-32 x 3/4" Socket Head
9	WA-0003	Fibre Thrust Washer (2 req'd.)
10	WA-0010	Steel Thrust Washer
11	WA-0014	Spring Washer (2 req'd.)
12	WA-0130	Neoprene Washer
13	WA-0131	Steel Thrust Washer

Associated Parts

14	3069	Vertical Shaft Mounting Screw, 1/4-20 x 5/8" (4 req'd.)
----	------	---

GOVERNOR WEIGHT ASSEMBLY, *OPTIONAL* (82-60158)

<u>Item</u>	<u>Part No.</u>	<u>Description</u>
15	C1-G-22	Governor Weight Assembly
16	HO-0003	Link Holder
17	HO-0004	Link Holder
18	LI-0003	Link (4 req'd.)
19	SC-2468	Set Screw, 8-40 x 1/4"
20	SC-0135	Governor Link Screw (4 req'd.)
21	SC-0136	Screw, 5-40 x 5/64" Hardened (4 req'd.)
22	SV-0042	Sleeve
23	WT-0006	Weight (2 req'd.)
24	WA-0296	Washer (2 req'd.)

VERTICAL SHAFT BALL BEARING & BRACKET ASSEMBLY (82-60025)

<u>Item</u>	<u>Part No.</u>	<u>Description</u>
25	C1-G-31	Bearing & Bracket Assembly (2 req'd.)
26	BG-0009	Ball Bearing
27	BR-0020	Bracket Casting
28	41-51061	Bearing Retainer Screw, 8-32 x 1/4" (3 req'd.)

VERTICAL SHAFT UPPER THRUST COLLAR ASSEMBLY (82-60102)

<u>Item</u>	<u>Part No.</u>	<u>Description</u>
29	C1-G-44	Upper Thrust Collar Assembly
30	CL-0101*	Collar
31	PG-0013*	Plug (2 req'd.)
32	H-3719*	Collar Set Screw, 6-32 x 1/4" (2 req'd.)

* Order C1-G-44; *Sold as Assembly only*

VERTICAL SHAFT, KEY, & GEAR ASSEMBLY (82-20256)

<u>Item</u>	<u>Part No.</u>	<u>Description</u>
33	C3-G-93	Vertical Shaft, Key, & Gear Assembly
34	ST-1796	Shaft
	KY-0053-J	Key (2 req'd.)
35	GR-0366R	Intermittent Drive Gear

INTERMITTENT DRIVE BRACKET & NUT ASSEMBLY (82-60103)

<u>Item</u>	<u>Part No.</u>	<u>Description</u>
36	C1-G-95	Drive Bracket & Nut Assembly
	C1-G-23	Ball Bearing & Bracket Assembly
	C1-G-24	Drive Gear Assembly

INTERMITTENT DRIVE & BRACKET ASSEMBLY (82-60101)

<u>Item</u>	<u>Part No.</u>	<u>Description</u>
38	C1-G-23	Ball Bearing & Bracket Assembly
39	BG-0006A	Ball Bearing
40	BR-0003*	Bracket Casting
41	41-51061	Screw, 8-32 x 1/4" Bind Head (as req'd.)
42	WA-0239	Washer (2 req'd.)

* Order C1-G-23

INTERMITTENT DRIVE GEAR NUT ASSEMBLY (C1-G-24)

<u>Item</u>	<u>Part No.</u>	<u>Description</u>
43	C1-G-24	Drive Gear Nut Assembly
44	NU-0001*	Nut
45	PG-0013*	Plug (2 req'd.)
46	SC-0063*	Screw (2 req'd.)

* Order C1-G-24; *Sold as Assembly only*

HORIZONTAL DRIVE SHAFT ASSEMBLY for DIRECT DRIVE (82-60181)

<u>Item</u>	<u>Part No.</u>	<u>Description</u>
47	M5-G-111T	Horizontal Drive Shaft Assembly
	C2-G-112	Drive Shaft & Bearings
48	BG-0006A	Ball Bearing
49	GR-0328	Main Drive Gear
50	SC-0074	Set Screw, 1/4-20 x 1/4" (2 req'd.)
51	ST-2154	Horizontal Drive Shaft
52	RI-0617	Oil Seal Ring

NOTE: Direct Drive = (1) Drive Belt

HORIZONTAL DRIVE SHAFT ASSEMBLY for STANDARD DRIVE (82-60161)

<u>Item</u>	<u>Part No.</u>	<u>Description</u>
47	C2-G-111T	Horizontal Drive Shaft Assembly
	C2-G-112	Drive Shaft & Bearings
48	BG-0006A	Ball Bearing
49	GR-0302	Main Drive Gear
50	3052	Set Screw. 1/4-20 x 3/8" (2 req'd.)
51	ST-2154	Horizontal Drive Shaft
52	RI-0617	Oil Seal Ring

NOTE: Standard Drive = (2) Drive Belts

HORIZONTAL DRIVE SHAFT & BEARINGS ASSEMBLY

<u>Item</u>	<u>Part No.</u>	<u>Description</u>
	C2-G-112	Drive Shaft & Bearings
51	ST-2154	Horizontal Drive Shaft
48	BG-0006A	Ball Bearing (2 req'd.)

CENTURY MODEL MSC-TM PROJECTOR
with 35mm Manual Lens Turret

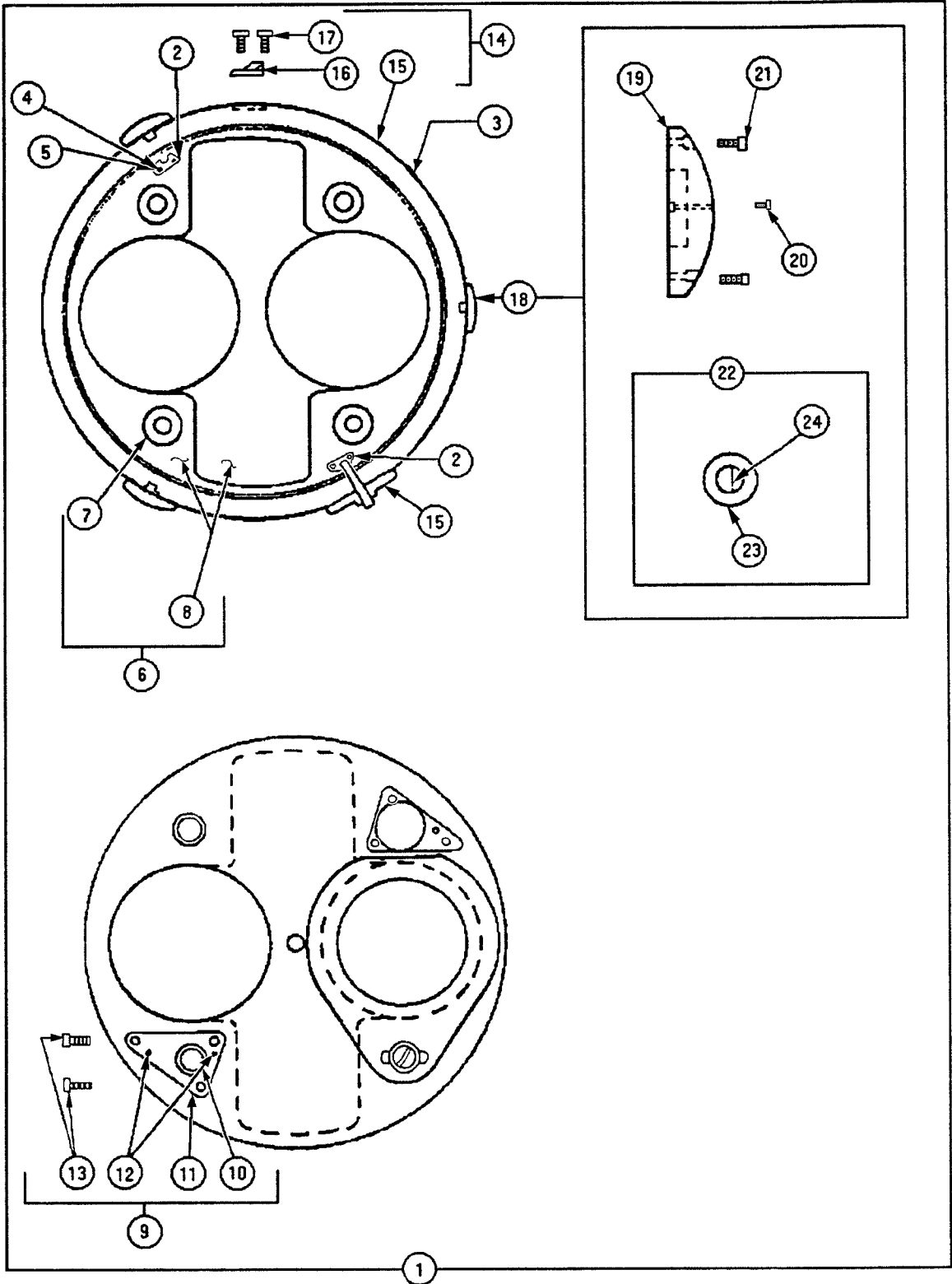
All Component Parts are the same as Model MSC-TA except as indicated in the Assemblies noted below:

OMIT:

T1-A-30	Automatic Turret Assembly
T1-A-40	Turret Motor Assembly
LC-T-120A	Automatic Aperture Changer & Trap Assembly
JRA-T-140	Plug & Wire Assembly, Film Trap

ADD:

T3-E-30	Manual Turret Assembly
A2-E-10T	Film Trap & Manual Aperture Changer



MANUAL LENS TURRET ASSEMBLY (82-60231)

<u>Item</u>	<u>Part No.</u>	<u>Description</u>
1	T3-A-30	Manual Turret Assembly
	T3-A-31A	Ring & Matched Focus Rods Assembly
	T3-A-33*	Outer Turret Housing
	T1-A-36*	Lens Bushing Assembly (2 req'd.)
	T1-A-37A	Focus Rod Assembly (2 req'd.)
	T1-A-38A	Focus Pivot Rod Assembly (2 req'd.)
	T3-A-39	Turret Locating Lock
2	BR-1328	Adjust Bracket, Locating Stop (2 req'd.)
3	DC-0141	Decal
4	SC-2413	Mounting Screw (4 req'd.)
5	WA-0346	Washer (4 req'd.)

TURRET RING & MATCHED FOCUS RODS ASSEMBLY (82-60210)

<u>Item</u>	<u>Part No.</u>	<u>Description</u>
6	T3-A-31A	Ring & Matched Focus Rods
	T1-A-32	Focus Block & Bushing (2 req'd.)
7	BU-1314	Bushing (6 req'd.)
8	HS-0146B	Housing, Inner Ring

FOCUS BLOCK & BUSHING ASSEMBLY (T1-A-32)

<u>Item</u>	<u>Part No.</u>	<u>Description</u>
9	T1-A-32	Focus Block & Bushing Assembly (2 req'd.)
10	BU-1313	Focus Rod Bushing
11	BK-1315	Block, Focus Rod
12	P-1457	Locating Pin, 3/16 x 3/4" (2 req'd.)
13	3041	Screw, 10-32 x 3/4" Socket Head (3 req'd.)

OUTER TURRET HOUSING ASSEMBLY (T3-A-33*)

<u>Item</u>	<u>Part No.</u>	<u>Description</u>
14	T3-A-33*	Outer Housing Assembly
	T1-A-34*	Ball Bearing & Bracket Assembly (3 req'd.)
15	HS-0148	Outer Ring Housing
16	PE-1261	Latch Plate
17	41-51493	Plate Screw, 1/4-20 x 3/8" Button Head (2 req'd.)

* Not Sold as Assembly - Order Individual Components

BALL BEARING & BRACKET ASSEMBLY (T1-A-34*)

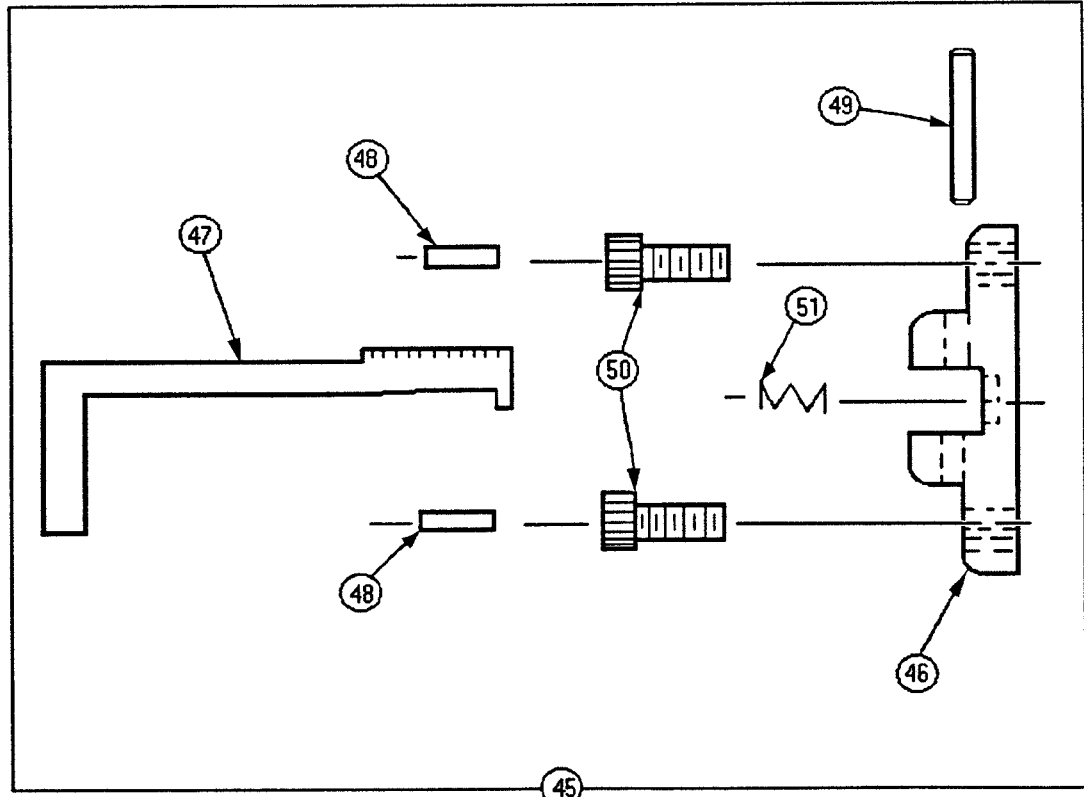
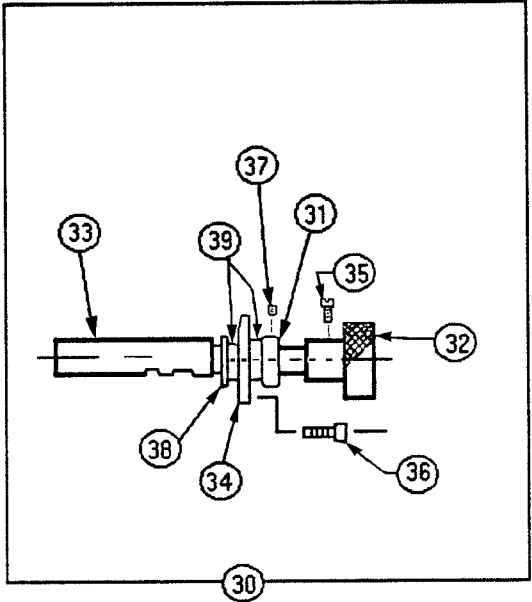
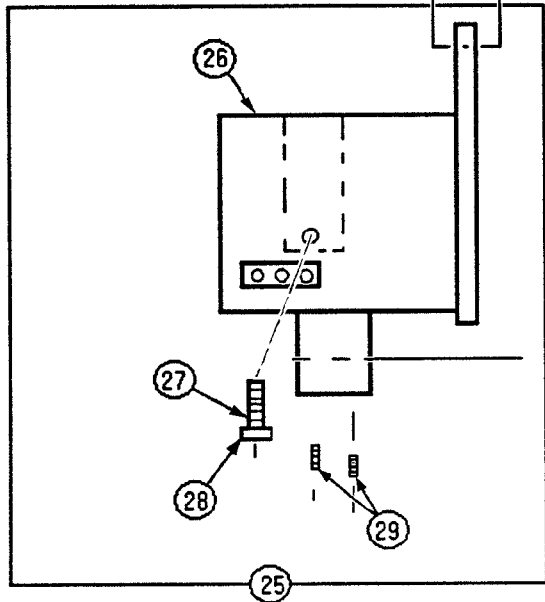
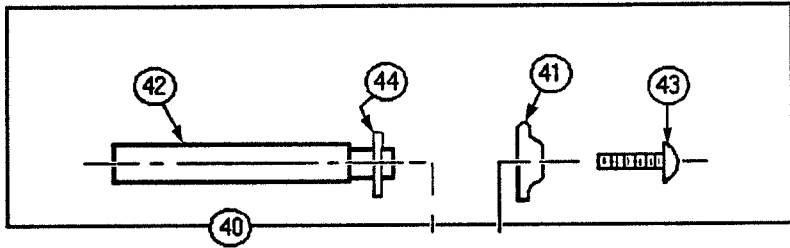
<u>Item</u>	<u>Part No.</u>	<u>Description</u>
18	T1-A-34*	Bearing & Bracket Assembly (3 req'd.)
	T1-A-35	Shaft & Bearing Assembly (3 req'd.)
19	BR-1312	Bracket
20	SC-0673	Adjustment Screw (2 req'd.)
21	41-51208	Mounting Screw, 10-32 x 1/2" Socket Head (4 req'd.)

* Not Sold as Assembly - Order Individual Components

SHAFT & BEARING ASSEMBLY (82-60149)

<u>Item</u>	<u>Part No.</u>	<u>Description</u>
22	T1-A-35	Shaft & Bearing Assembly
23	BG-1260A*	Ball Bearing
24	RD-0609*	Rod

* Order T1-A-35; *Sold as Assembly only*



LENS BUSHING ASSEMBLY (82-60238)

<u>Item</u>	<u>Part No.</u>	<u>Description</u>
25	T1-A-36	Lens Bushing Assembly
26	BU-1305A	Lens Bushing
27	PG-1264	Plug Button
28	SC-2498	Lens Clamp Screw
29	SC-0074	Rod Clamp Set Screw, 1/4-20 x 1/4" (2 req'd.)

LENS FOCUS ROD ASSEMBLY (82-60077)

<u>Item</u>	<u>Part No.</u>	<u>Description</u>
30	T1-A-37A	Focus Rod Assembly (2 req'd.)
31	CL-0554	Collar
32	KN-0045	Focus Knob
33	RD-0610*	Focus Rod
34	SA-1226	Spacer
35	00256000	Knob Screw, 8-32 x 5/16" Fillister Head
36	41-51406	Screw, 4-40 x 3/16" Fillister Head (3 req'd.)
37	SC-1236	Collar Screw (2 req'd.)
38	SC-1362	Focus Screw
39	WA-0163	Washer

LENS FOCUS PIVOT ROD ASSEMBLY (T1-A-38A)

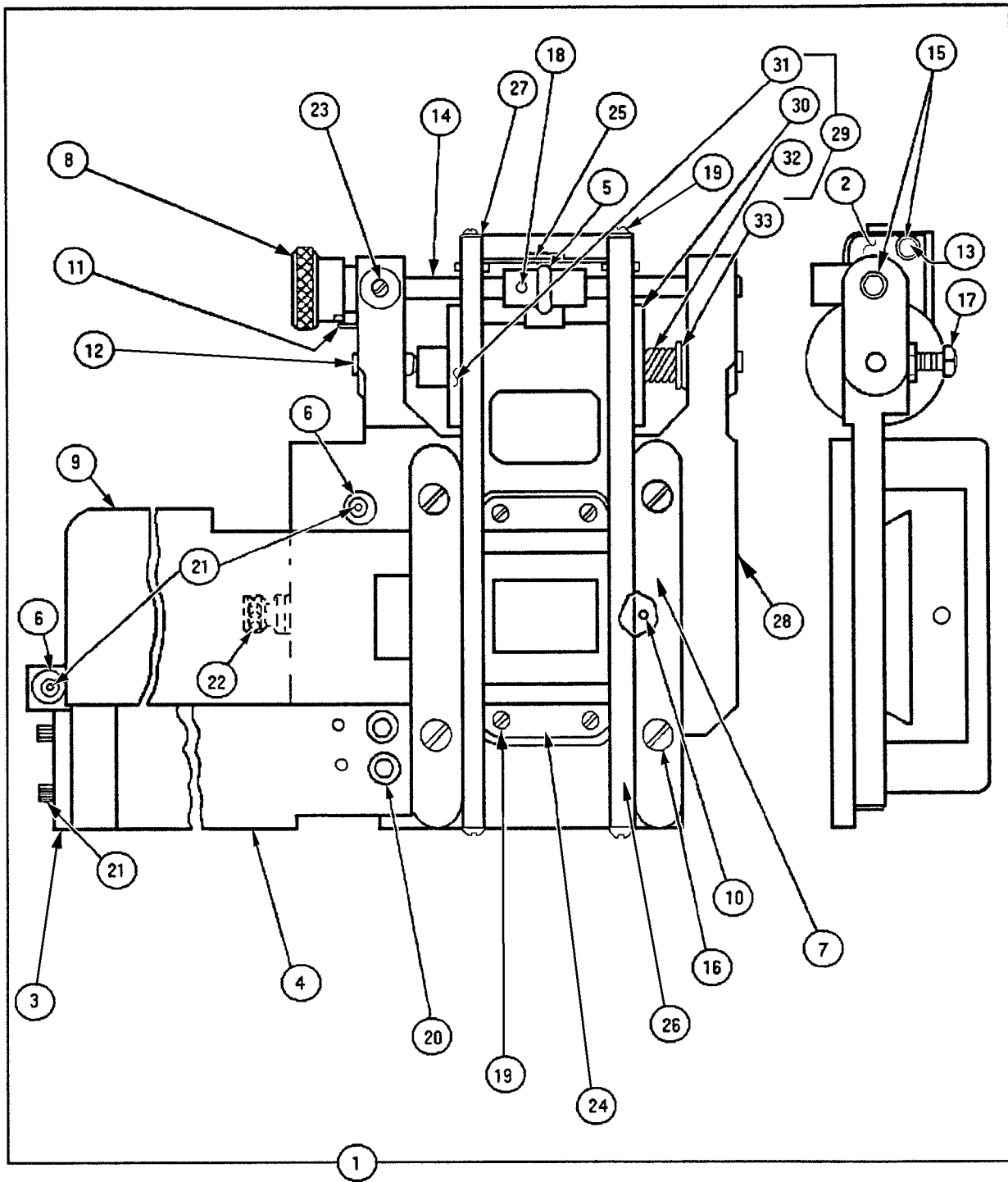
<u>Item</u>	<u>Part No.</u>	<u>Description</u>
40	T1-A-38A	Pivot Rod Assembly (2 req'd.)
41	CL-0886	Collar
42	RD-0611*	Pivot Rod
43	41-51208	Collar Screw, 10-32 x 1/2" Socket Head
44	WA-0135	Washer

* Order T1-A-38A

TURRET LOCATING LOCK ASSEMBLY (T3-A-39)

<u>Item</u>	<u>Part No.</u>	<u>Description</u>
45	T3-A-39	Locating Lock Assembly
46	HO-0151*	Lock Holder
47	LO-0118*	Locating Lock
48	PN-0032	Mounting Pin (2 req'd.)
49	PN-1271	Locating Pin
50	41-51208	Mounting Screw, 10-32 x 1/2" Socket Head (2 req'd.)
51	SG-2439	Compression Spring

* It is recommended to order Lock & Holder in *Matching Pairs*



FILM TRAP ASSEMBLY with MANUAL APERTURE CHANGER (82-60242)

<u>Item</u>	<u>Part No.</u>	<u>Description</u>
1	A2-E-10T	Film Trap Assembly
	A1-E-12	Lateral Guide Roller Assembly
	A1-E-13	Spring Retaining Block & Pin

SPRING RETAINING BLOCK & PIN ASSEMBLY (A1-E-13)

<u>Item</u>	<u>Part No.</u>	<u>Description</u>
2	A1-E-13	Spring Retaining Block & Pin
3	BR-1332	Eccentric Mounting Bracket
4	BR-1329	Limit Block Bracket
5	CM-0685	Cam, Strap Tension
6	EC-0030	Eccentric Bushing (2 req'd.)
7	GU-0315	Studio Guide (2 req'd.)
8	KN-0070	Knob, Tension Adjust
9	PE-1291E/15	Dual Aperture Plate
10	PN-0519	Stop Pin
11	PN-0824	Knob Stop Pin
12	PT-0033	Pivot Pin (2 req'd.)
13	RD-0281	Block Support Rod
14	RD-0282	Cam Shaft
15	P-4089	Retaining Ring for .156" O.D.
16	SC-0128	Fastening Screw (4 req'd.)
17	SC-0134	Pivot Retaining Screw (2 req'd.)
18	P-1971	Cam Set Screw, 6-32 x 1/8"
19	41-51271	Screw, Straps & Springs; 4-40 x 1/8" (8 req'd.)
20	SC-2117	Screw, Eccentric & Block (4 req'd.)
21	P-1757	Mounting Block Screw, 4-40 x 1/4" (2 req'd.)
22	SC-1800	Trap Mounting Screw
23	SC-2431	Detent Screw
24	SG-1484	Aperture Plate Spring
25	SG-1802	Trap Spring
26	SH-1811	Trap Shoe (Pressure Strap), 2 req'd.
27	WA-0245	Strap Washer (2 req'd.)
28	TP-0171	Trap Casting

LATERAL GUIDE ROLLER ASSEMBLY (82-60016)

<u>Item</u>	<u>Part No.</u>	<u>Description</u>
29	A1-E-12	Lateral Guide Roller Assembly
30	RO-0283	Inner Roller
31	RO-0284	Outer Roller
32	SG-0124	Compression Spring
33	2933	Retaining Ring for .250" O.D.

DOUBLE SHUTTER PROJECTOR

DOUBLE SHUTTER SHAFT, BRACKET, GEARS, & BLADE ASSEMBLY (82-60068)

<u>Part No.</u>	<u>Description</u>
J4-D-50	Double Shutter Shaft, Bracket, Gears, & Blade Assembly
J8-D-51	Double Shutter Blade & Hub, Inner
J8-D-52	Double Shutter Blade & Hub, Outer
H1-D-54*	Shutter Shaft Bracket & Ball Bearing
SG-0016	Shutter Spring
SA-2044	Shutter Spacer
3072	Socket Screw, 1/4-20 x 1/2"

* Not Sold as Assembly - Order Individual Components

INNER SHUTTER BLADE & HUB ASSEMBLY (82-60118)

<u>Part No.</u>	<u>Description</u>
J8-D-51	Inner Shutter Blade & Hub
C2-D-56	Hub & Clamp Screws
J8-D-59	Shutter Blade & Air Vanes
SC-0128	Fastening Screw (5 req'd.)

INNER SHUTTER HUB ASSEMBLY (82-60108)

<u>Part No.</u>	<u>Description</u>
C2-D-56	Shutter Hub Assembly
HB-0045	Hub
41-51201	Clamping Screw, 8-32 x 3/4" Socket Head (2 req'd.)

INNER SHUTTER BLADE & AIR VANES ASSEMBLY (82-60124)

<u>Part No.</u>	<u>Description</u>
J8-D-59	Shutter Blade Assembly
BD-0026	Air Vane (2 req'd.)
BD-1083	Shutter Blade, Inner
SC-0094	Vane Screw, 6-32 x 1/8" Bind Head (6 req'd.)

OUTER SHUTTER BLADE & HUB ASSEMBLY (82-60123)

<u>Part No.</u>	<u>Description</u>
J8-D-52	Shutter Blade & Hub Assembly
C2-D-49	Hub & Clamp Screws
SC-0128	Fastening Screw (5 req'd.)
BD-1082	Shutter Blade, Outer

OUTER SHUTTER HUB ASSEMBLY (82-60032)

<u>Part No.</u>	<u>Description</u>
C2-D-49	Shutter Hub Assembly
HB-0044	Hub
41-51201	Clamping Screw, 8-32 x 3/4" Socket Head (2 req'd.)

DOUBLE SHUTTER SHAFT BRACKET & BALL BEARING ASSEMBLY (H1-D-54*)

<u>Part No.</u>	<u>Description</u>
H1-D-54*	Double Shutter Shaft Bracket & Bearing Assembly
C2-D-42	Shutter Shaft Bracket & Bearing Assembly
C2-D-55A*	Double Shutter Intermittent Bracket Assembly
CL-0128	Shutter Shaft Thrust Collar
GR-0007	Intermittent & Shutter Drive Gear
RT-0061	Thrust Washer Retainer (2 req'd.)
RT-0062	Shutter Shaft Spring Retainer
SC-0023	Set Screw, 10-32 x 3/16"
P-1432	Screw, 8-32 x 5/8" Socket Head
ST-1397X	Shutter Shaft
WA-0130	Steel Washer (2 req'd.)
WA-0131	Spring Washer (2 req'd.)

* Not Sold as Assembly - Order Individual Components

INTERMEDIATE BRACKET, GEARS, & BALL BEARING ASSEMBLY (C2-D-55A*)
for Double Shutter Projectors

<u>Part No.</u>	<u>Description</u>
C2-D-55A*	Intermediate Bracket, Gears, Bearing Assembly
C1-D-39	Intermediate Shutter Shaft & Bearing Assembly
C2-D-53B	Outer Rear Bracket, Gear, & Bearing Assembly
BG-0009B	Ball Bearing
BR-0016	Bracket Casting
CL-0035	Thrust Collar
GR-0007	Steel Gear
GR-0072	Reverse Shutter Gear
00259000	Screw, 8-32 x 5/8" Fillister Head
H-2525	Screw, Collar & Gear; 6-32 x 1/2" Fillister Head (2 req'd.)
SC-0112	Screw, Bearing Retaining (2 req'd.)
SC-0131	Screw, Reverse Gear & Bearing Retaining (2 req'd.)
SG-0086	Thrust Spring
WA-0005	Fibre Thrust Washer
WA-0017	Steel Thrust Washer (2 req'd.)
WA-0254	Thrust Washer

* Not Sold as Assembly - Order Individual Components

Associated Parts

3072	Mounting Screw, Intermediate Bracket (4 req'd.)
------	---

DIRECT DOUBLE SHUTTER BRACKET & BALL BEARING ASSEMBLY (82-60160)

<u>Part No.</u>	<u>Description</u>
C2-D-53B	Direct Double Shutter Bracket & Bearing Assembly
C2-D-53A	Bearing & Matched Gear Assembly
BR-0015	Bracket Casting
CL-0747	Inner Spacing Collar
SA-2043	Spacer
SC-0882	Collar Set Screw, 6-32 x 1/4"
WA-0009	Washer

GEAR & BALL BEARING ASSEMBLY for DOUBLE SHUTTER (C2-D-53A)

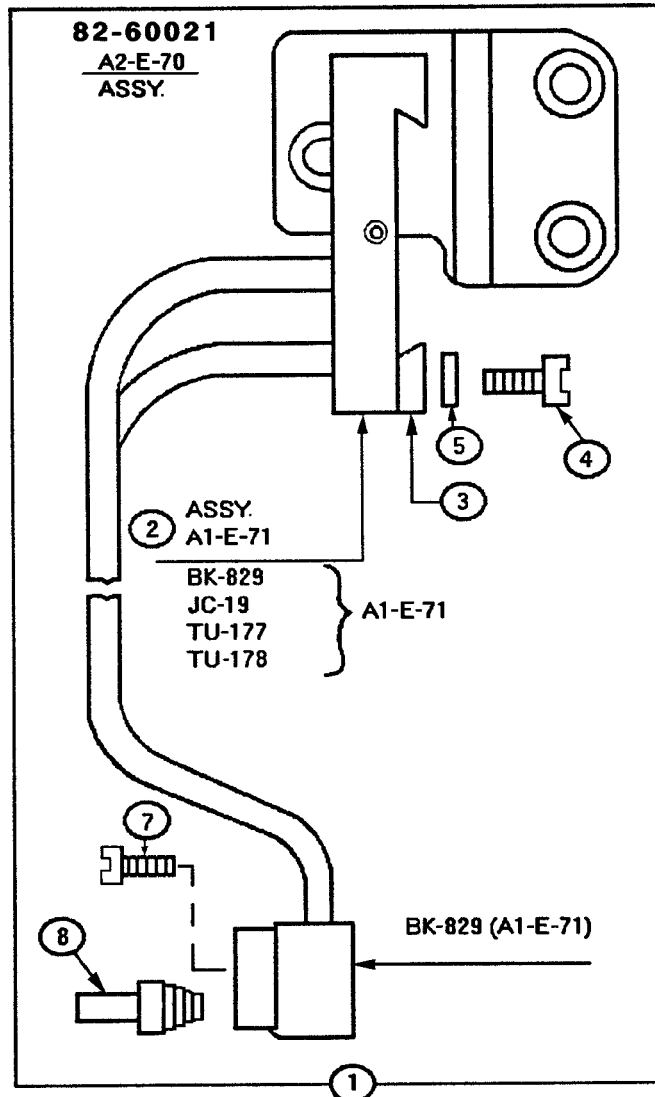
<u>Part No.</u>	<u>Description</u>
C2-D-53A	Gear & Ball Bearing Assembly
BG-0006A	Ball Bearing (2 req'd.)
BR-0015	Bracket Casting
GR-0013	Intermediate Shutter Gear (2 req'd.)

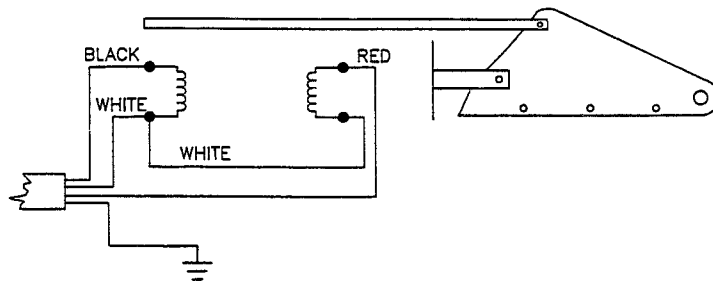
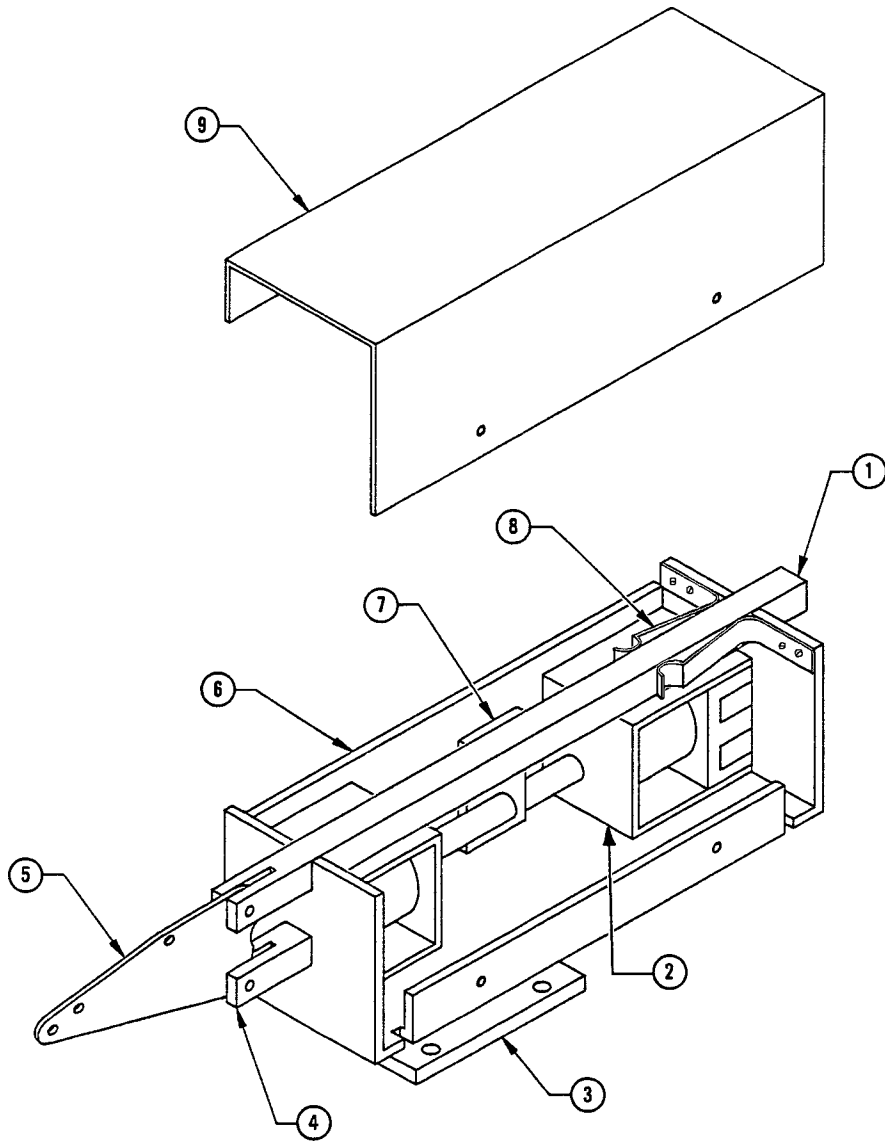
ADDITIONAL PARTS for WATER-COOLED PROJECTORS

<u>Item</u>	<u>Part No.</u>	<u>Description</u>
1	A2-E-70	Film Trap Support Gib, Water-Cooled (Complete)
2	A1-E-71	Support Gib/Water Cell with Tubes & Connector Block
3	GI-0255	Film Trap Support Gib with Water Cell
4	41-51016	Fastening Screw, 4-40 x 1/2 Bind Head (3 req'd.)
5	WA-0088	Washer (3 req'd.)
6	00259000	Fastening Screw, 8-32 x 5/8" Fillister Head
7	SC-0137	Mounting Screw, 1/4-20 x 1/2" Fillister Head (3 req'd.)
8	81-20001	Hose Connector, Nylon (2 req'd.)

Associated Parts

01432000 Mounting Screw, 1/4-20 x 1/2" Allen Head (3 req'd.)





CENTURY PICTURE CHANGEOVER DEVICE, 115 V.AC (82-60218*)

<u>Item</u>	<u>Part No.</u>	<u>Description</u>
1	P-7922	Push Rod
2	51-55005	Solenoid, 115 V.AC (2 req'd. for 82-60218)
-	51-55006	Solenoid, 230 V.AC (2 req'd. for 82-60219*)
-	81-55006	Solenoid, 24 V.AC (2 req'd. for 82-60283*)
-	00236000	Solenoid Mounting Screw, 8-32 x 5/16" Flat Head
3	P-7926	Base Plate
4	P-7923	Pivot Block, Bell Crank
-	P-7966	Clevis Pin, 1/8" Diameter
-	01704000	Cotter Pin, 1/16" Diameter
5	P-7892	Bell Crank
-	P-7966	Clevis Pin, 1/8" Diameter
-	01704000	Cotter Pin, 1/16" Diameter
6	P-7919	Bracket, Changeover Body
-	41-13008	Cable Clamp, 90°
7	P-7925	Connector Plate
-	41-51325	Screw, 6-32 x 3/8" Socket Head
-	P-7966	Clevis Pin, 1/8" Diameter (Plate to Solenoid Armature)
-	01704000	Cotter Pin, 1/16" Diameter
8	P-7920	Leaf Spring (2 req'd.)
-	41-51016	Spring Mounting Screw, 4-40 x 1/4" (4 req'd.)
9	P-7924	Cover
-	41-51412	Cover Mounting Screw, 6-32 x 1/4" Pan Head (Black)

Associated Parts (not shown)

9403	Linkage Rod, Changeover Douser Plate
9402	Douser Plate & Clamp Assembly
P-1676	Clamp Screw, Douser Plate to Linkage Rod; 6-32 x 1/4"
51-71007	Cable, (4) Conductor, Type SO (6 feet req'd.)

* Order 82-60219 for 230 V.AC Changeover Assembly (Complete)
 Order 82-60283 for 24 V.AC Changeover Assembly (Complete)

