

# Film-Tech

The information contained in this Adobe Acrobat pdf file is provided at your own risk and good judgment.

These manuals are designed to facilitate the exchange of information related to cinema projection and film handling, with no warranties nor obligations from the authors, for qualified field service engineers.

If you are not a qualified technician, please make no adjustments to anything you may read about in these Adobe manual downloads.

[www.film-tech.com](http://www.film-tech.com)



35 DRIVE BEST (BEST) OR ? (BE-543) (278 X 0 50)

## PROJECTOR MECHANISMS

### PARTS LIST

JJ-2 and JJ-3  
JJ-2S and JJ-3S

**PRECISION - MADE**



for

**MODELS** JJ-2 and JJ-3

**PROJECTOR MECHANISMS**

**CENTURY PROJECTOR CORPORATION**

CENTURY MODEL JJ-2 PROJECTOR  
FOR 70mm and 35mm films

TABLE OF CONTENTS

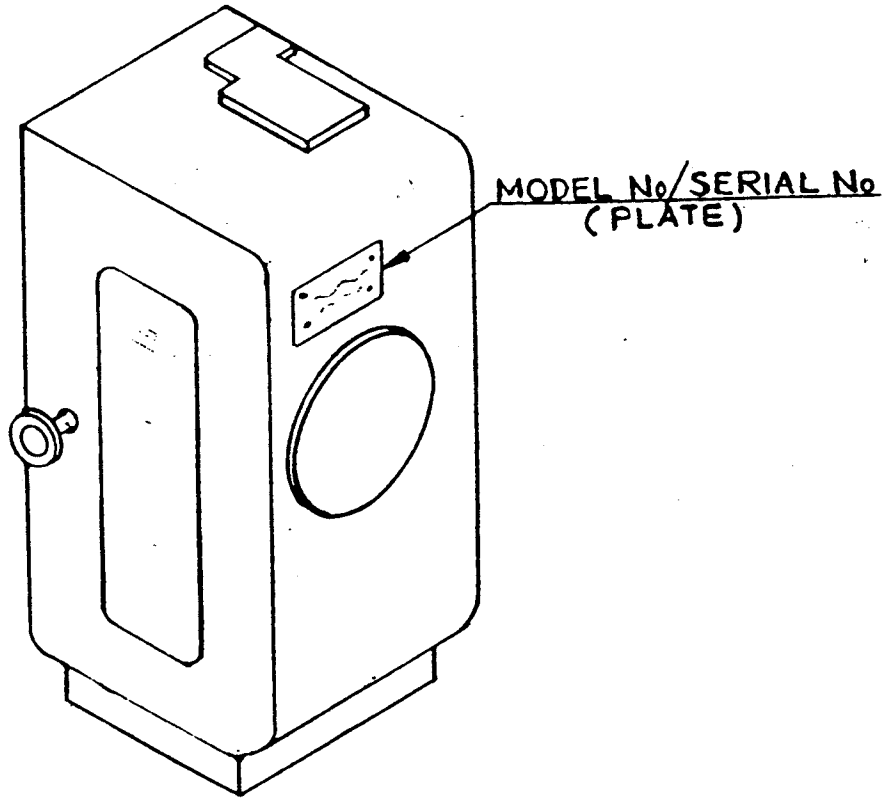
DESCRIPTION OF ASSEMBLIES	PAGE NO.
Operating Side Assemblies,35mm film (Reference)-----	6
Operating Side Assemblies,70mm film (Reference)-----	7
Drive Side Assemblies-----	8
Available Aperture Plates(for JJ-2 & JJ-3 Projector)-----	46,47
Carriage Assembly and Framing Shaft Assembly-----	12,13
Doors, Covers and Lens Bushings-----	10,11
Gate Mount Assembly and Gate Knob Assembly-----	20,21
Gates (for 70mm and 35mm)-----	42,43
Intermittent-----	14,15
Intermittent Sprocket Pad and Arm Assembly-----	16,17
Lens Mount Assembly-----	18,19
Main Frame and Misc.Parts and Assemblies-----	9
Pad Roller Arm Assembly,(upper)-----	22,23
Pad Roller Arm Assembly,(lower)-----	23,24
Pilot Light Assembly-----	28,29
Sprocket and Shaft Assemblies,Lower Stripper and 70mm Guide Roller-----	26,27
Shutter Shaft Assembly(double)-----	30,31
Shutter,Intermediate Bracket Assembly-----	32,33
Shutter Guard Assembly-----	34,35
Trap(for 70mm films)-----	38,39
Trap(for 35mm films)-----	40,41
Vertical Shaft and Main Drive Shaft Assemblies-----	44,45
Water Jacket Support and Fire Shutter Assembly-----	36,37

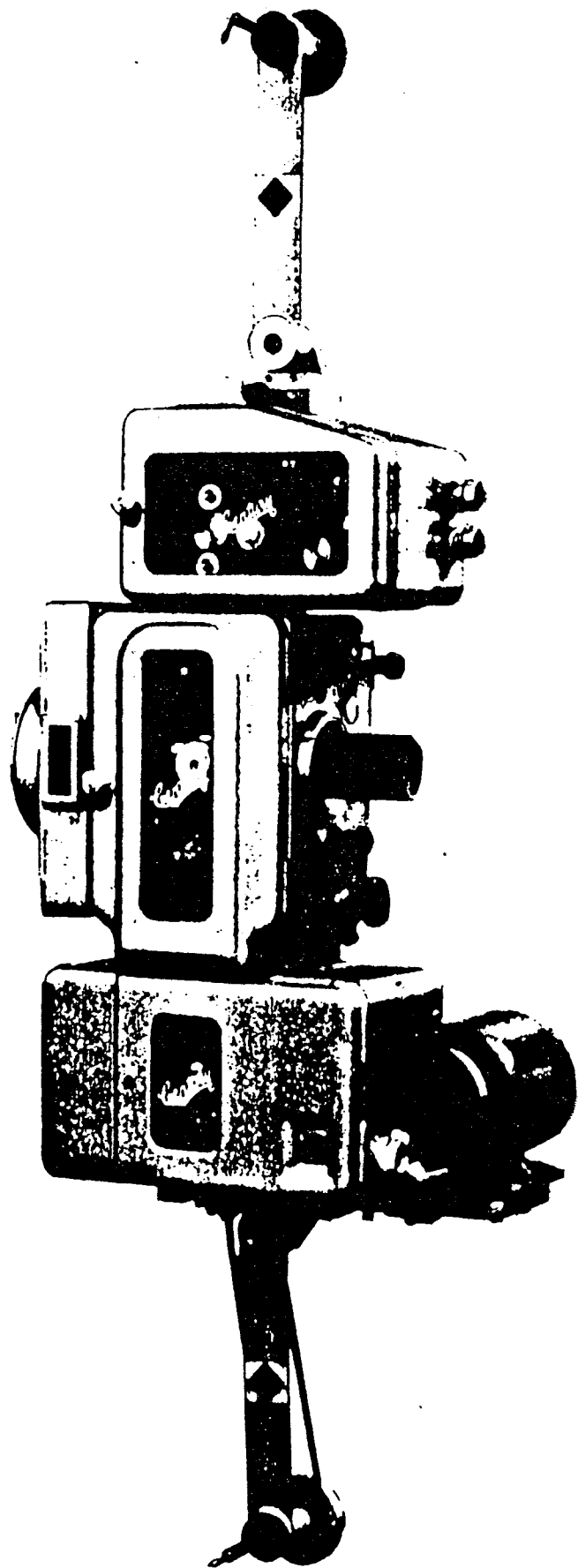
CENTURY MODEL JJ-3 CINE-FOCUS PROJECTOR  
FOR 70MM and 35MM films

TABLE OF CONTENTS

DESCRIPTION OF ASSEMBLIES	PAGE NO
<hr/>	
Pictorials Of Assemblies For JJ-3	
Operating Side, 35MM film-----	53
Operating Side, 70MM film-----	54
Drive Side-----	55
Air Tube Assembly(Inside projector) and Heat Filter Assembly-----	56, 57
Cine-focus Air Blower Assembly-----	64, 65
Frame, Pin and Misc.Parts Assembly-----	56, 57
Gate Mount Assembly and Gate Knob Assembly-----	62, 63
Gate Assemblies(for 70mm and 35mm film)-----	58, 59
Shutter Guard-----	60, 61
<u>Water Recirculator Assembly Additional</u> -----	66, 67
<u>JJ-2S and JJ-3S Single Shutter 35/70 Projector</u> -----	69, 70
<u>Sprocket Alignment Gauges Additional</u> -----	70
<u>Film Threading Diagrams</u>	
Film Threading Diagram(70mm)-----	71
Film Threading Diagram(35mm Magnetic Sound)-----	72
Film Threading Diagram(35mm Optical Sound)-----	73

WHEN ORDERING PARTS  
INCLUDE:  
MODEL No  
SERIAL No  
PART No





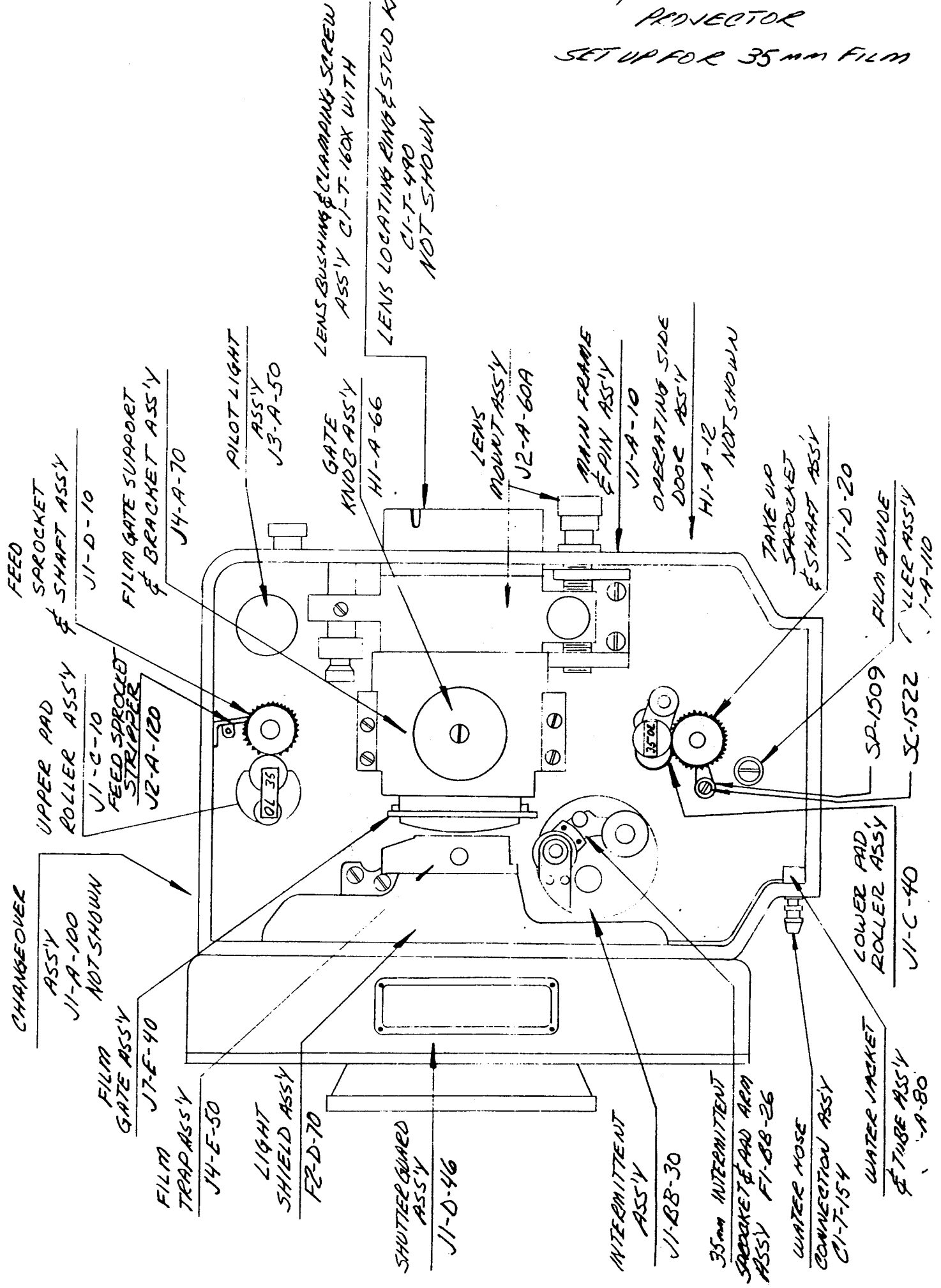
*Century*

MODEL JJ-2  
70-35 MM  
PROJECTOR

CENTURY PROJECTOR CORPORATION

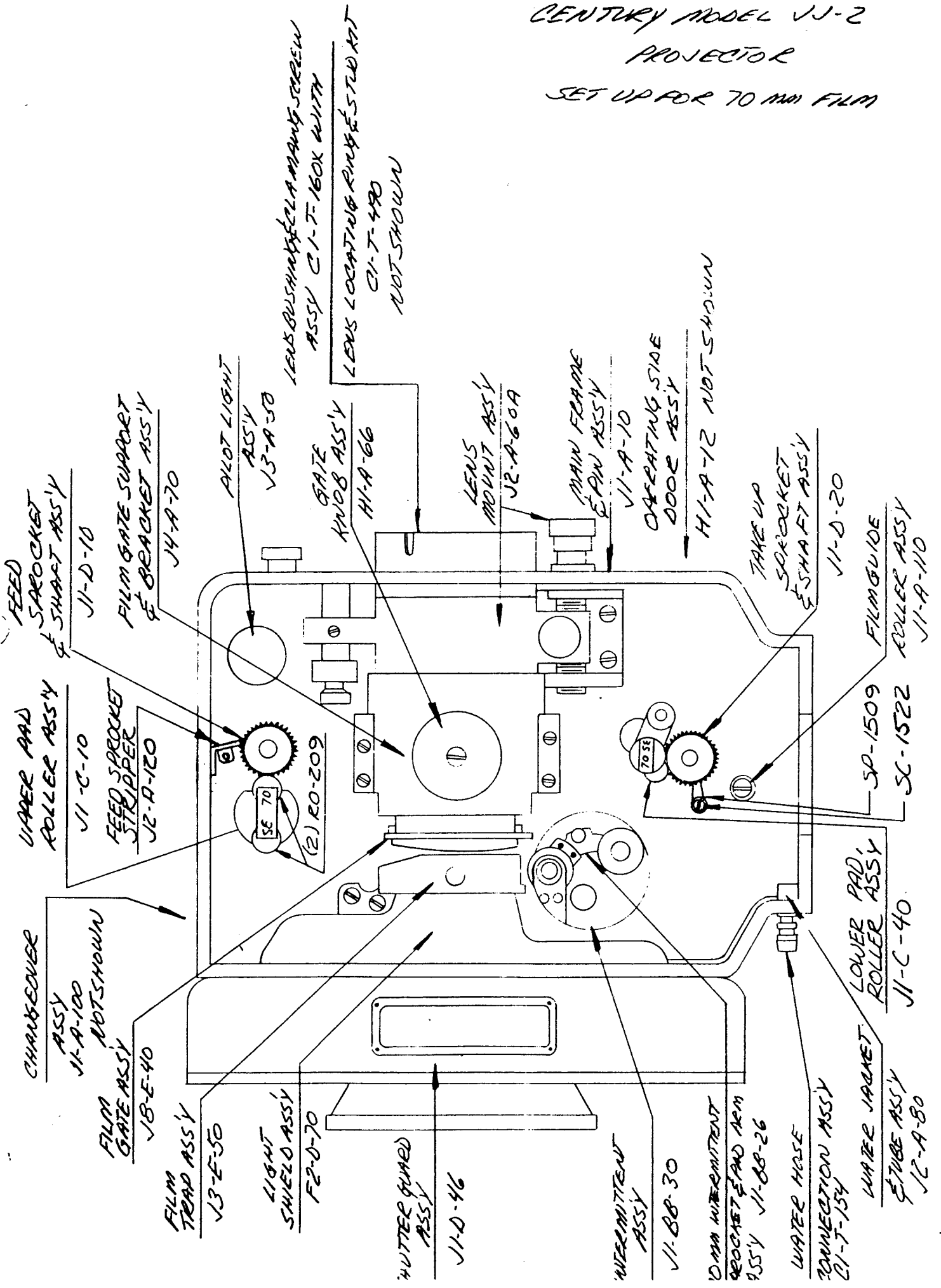
PROJECTOR  
SET UP FOR 35mm FILM

0





CENTURY MODEL VJ-2  
PROJECTOR  
SET UP FOR 70 MM FILM



FEED  
SHAFT ASSY  
J1-D-10

FILM GATE SUPPORT  
& BRACKET ASSY  
J4-A-70

ALLOT LIGHT  
ASSY  
V3-A-50

LENS BUSHING & LAMP MOUNT  
ASSY C1-T-160X WITH  
C1-T-490  
NOT SHOWN

GATE  
KNOB ASSY  
H1-A-66

LENS  
MOUNT ASSY  
J2-A-60A

MAIN FRAME  
& PW ASSY  
J1-A-10

OPERATING SIDE  
DOOR ASSY

H1-A-12 NOT SHOWN

TAKE UP  
SOCKET  
& SHAFT ASSY  
J1-D-20

FILM GUIDE  
ROLLER ASSY  
J1-A-110

UPPER PAD  
ROLLER ASSY  
J1-C-10

FEED SPROCKET  
STRIPPER  
J2-A-120

(2) R0-209

70 SE

70 SE

70 SE

70 SE

SP-1509  
SC-1522

CHANGEOVER  
ASSY  
J1-A-100  
NOT SHOWN

FILM  
GATE ASSY  
J8-E-40

FILM  
TRAP ASSY  
V3-E-50

LIGHT  
SHIELD ASSY  
F2-D-70

HUTTER GUARD  
ASSY  
J1-D-46

WEARMENT  
ASSY  
J1-BB-30

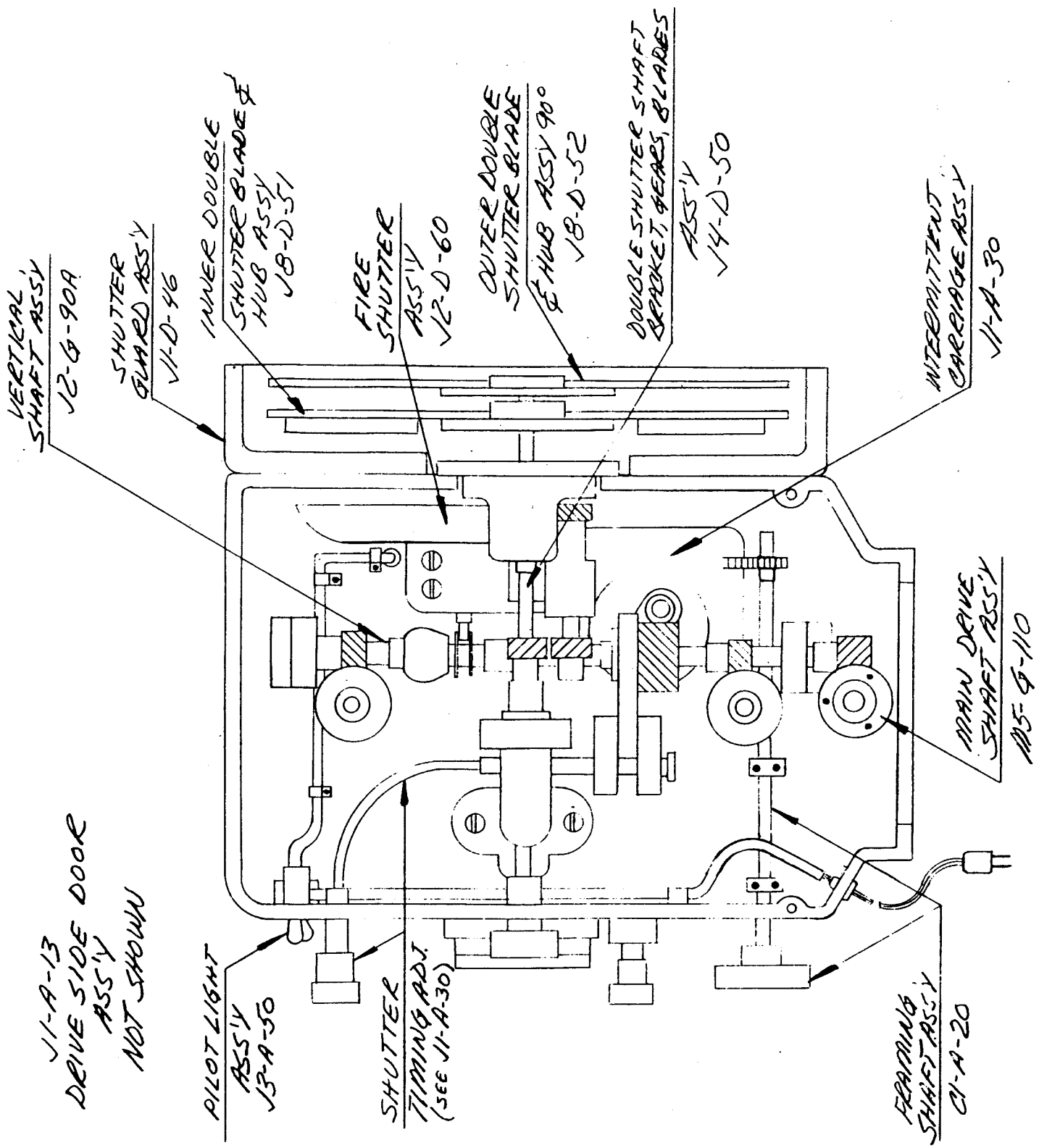
70 MM WEARMENT  
ROCKET & PAD ARM  
ASSY J1-BB-26

WATER HOSE  
CONNECTION ASSY  
C1-T-154

LOWER PAD,  
ROLLER ASSY  
J1-C-40

WATER JACKET  
TUBE ASSY  
J2-A-80

CENTURY MODEL V-2 PROJECTOR  
"DRIVE SIDE"



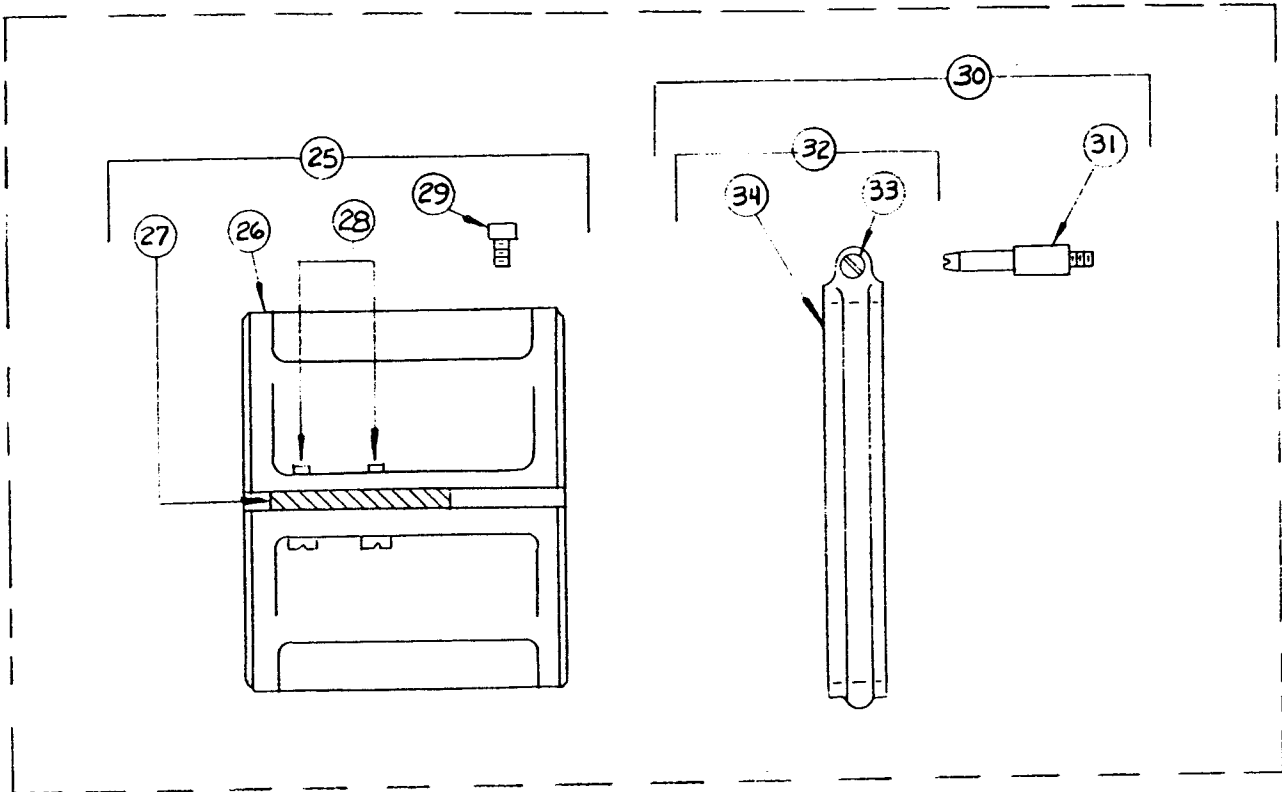
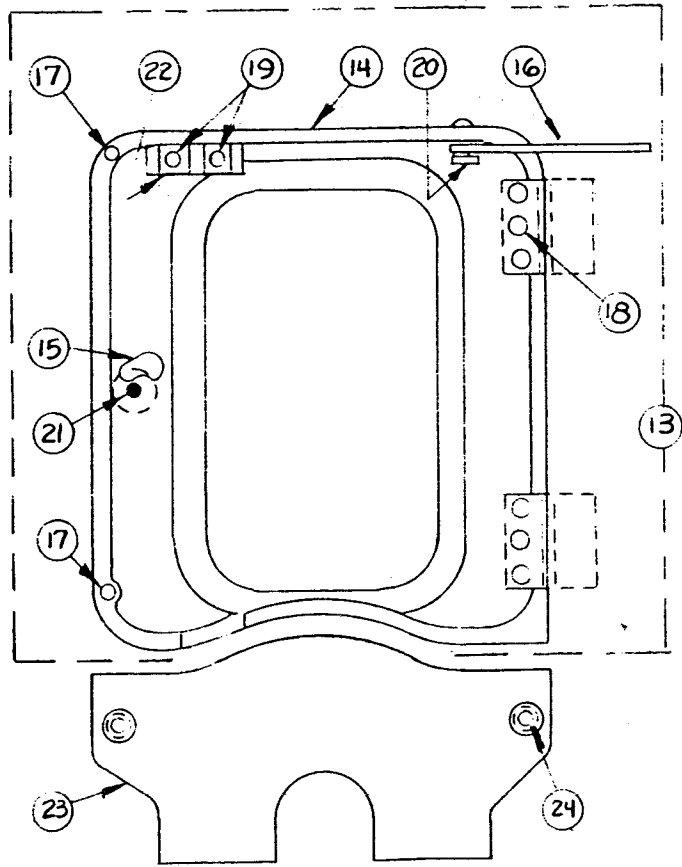
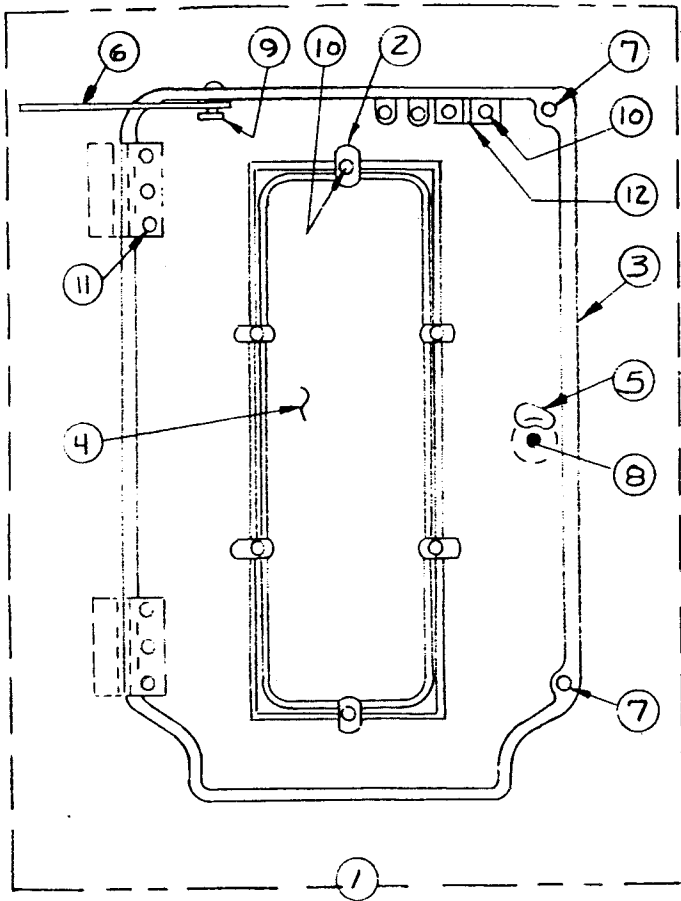
CENTURY MODEL "JJ-2" PROJECTOR

<u>Part No.</u>	<u>Description</u>	
<u>J1-A-10</u>	<u>MAIN FRAME &amp; MISC PARTS ASSEMBLY</u>	
CL-A-11	ASSEMBLY	(DOOR HINGE & PIN) (4)
J1-A-100	ASSEMBLY	(PICTURE CHANGE OVER)
J2-A-120	ASSEMBLY	(PROJECTOR FEED SPROCKET FILM STRIPPER)
BU- 29	Bushing	Oilite (Sprocket Shaft Bearing) (4)
BU- 747	Bushing	Pad Roller Arm Retaining
CR- 598	Cover	Non-Operating Side
CT- 86	Catch	Door (2)
DC- 40B	Decal	(U.L.)
DC- 96	Decal	Lubrication Instructions For (CR-598)
FR- 82	Frame	Main
PE- 39	Plate	Name
PG- 608	Plug	Hole (2)
PN- 21	Pin	Wtr. Jkt., Lens Mount Support & Gate Tube Bkt. Locating
PN- 28	Pin	Shutter Bracket Locating (3)
PN- 247	Pin	Carriage Stop (Upper)
PN- 742	Pin	Pad Roller Arm Stop
PN-1175	Pin	Carriage Stop (Lower)
RT- 203	Retainer	Main Drive Shaft (Operating Side)
SC- 113	Screw	Non-Operating Side Cover Fastening (2)
SC- 125	Screw	Name Plate Fastening (2)
SC- 127	Screw	Main Drive B.B. Retaining (3)
SC- 226	Screw	Door Stop Link (2)
SC- 565	Screw	Door Catch Fastening (4)
SC- 661	Screw	Door Hinge Mounting (12)
SC- 902	Screw	Pad Roller Arm Retaining
SC- 905	Screw	Retainer Fastening
SC-1145	Screw	Heat Shield Mounting (2)
SC-1492	Screw	Pad Roller Arm Ret., Bushing Fastening (6)
SC-1522	Screw	Film Stripper Fastening
SD-1473	Shield	Heat (See Page 9)
SP-1509	Stripper	Film (Lower, See Page 26 & 27)
WA- 70	Washer	Film Stripper Fastening Screw

ASSOCIATED PARTS

ML- 95	Manual	JJ Projector Parts
ML- 96	Manual	JJ Projector Operating Instructions
TU- 235	Tube	Gear Lubricant

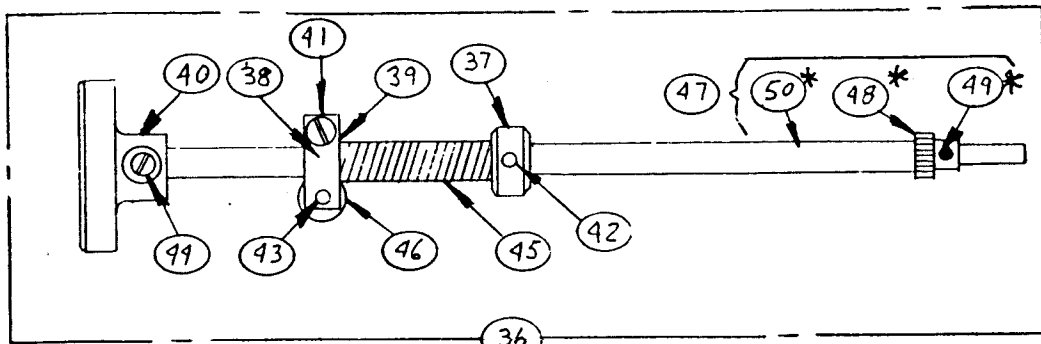
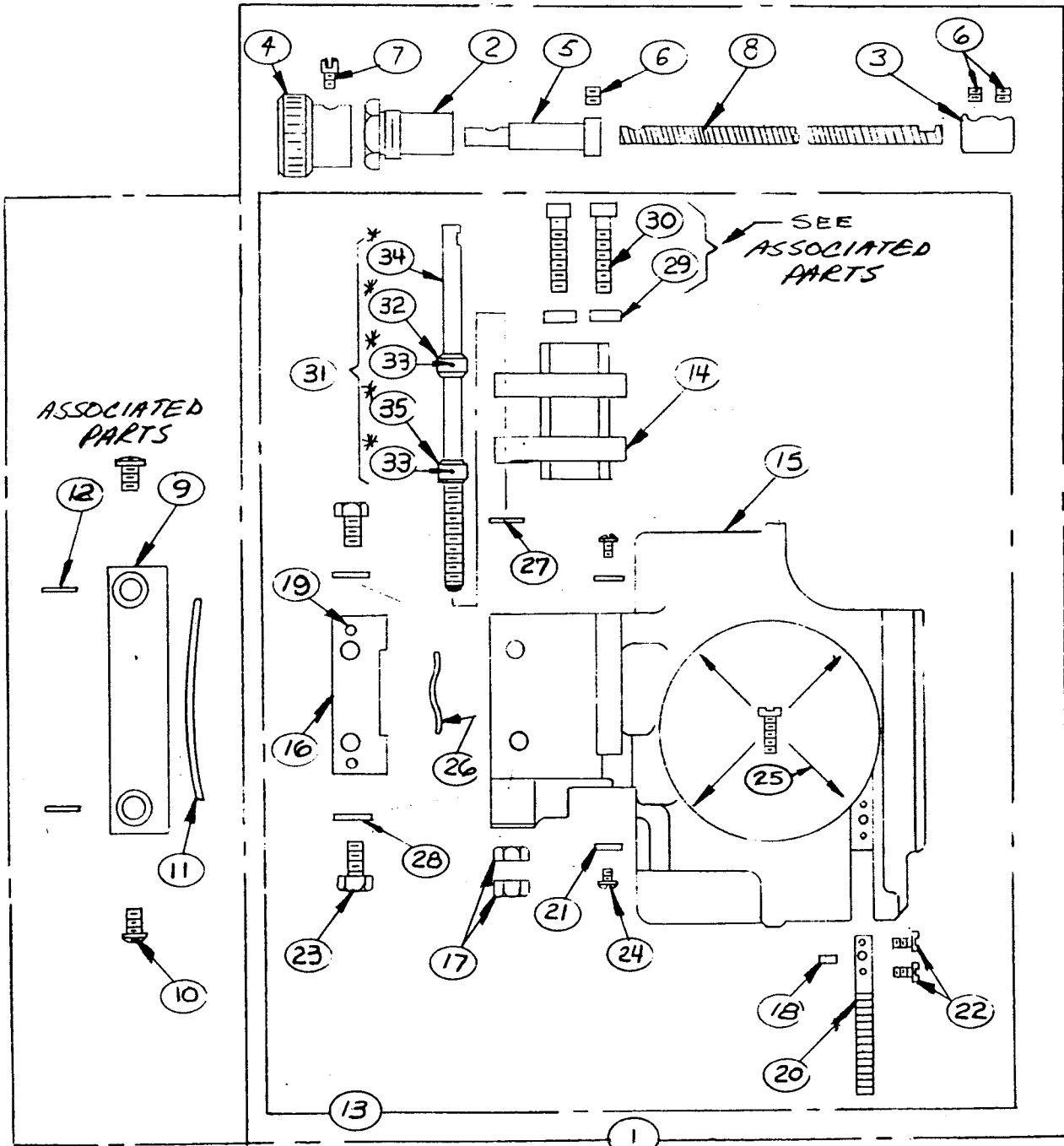
CENTURY MODEL JJ-2 PROJECTOR



CENTURY MODEL "JJ-2" PROJECTOR

<u>Item</u>	<u>Part No.</u>	<u>Description</u>	
(1)	H1-A-12	<u>OPERATING SIDE DOOR ASSEMBLY</u>	
(2)	CP-20	Clamp	Glass (6)
(3)	D0-63	Door	Operating Side
(4)	GL-15	Glass	Door
(5)	KN-47	Knob	Door
(6)	LI-7	Link	Door
(7)	SB-60	Stop	Felt, Door (2)
(8)	SC-70	Screw	Hinge (6)
(9)	SC-123	Screw	Door Glass Clamping & Strike Fast. (8)
(10)	SC-226	Screw	Door Stop Link
(11)	SC-1356	Screw	Door Knob
(12)	SS-528	Strike	Door
(13)	J1-A-13	<u>DRIVE SIDE DOOR ASSEMBLY</u>	
(14)	D0-72	Door	Non. Operating Side
(15)	KN-47	Knob	Door
(16)	LI-7	Link	Door Stop
(17)	SB-60	Stop	Door Closing (felt) (2)
(18)	SC-70	Screw	Door Hinge Fastening (6)
(19)	SC-123	Screw	Door Strike Fastening (2)
(20)	SC-226	Screw	Door Stop Link
(21)	SC-1356	Screw	Door Knob Fastening
(22)	SS-528	Strike	Door
		<u>INDIVIDUAL PARTS</u>	
(23)	CR-598	Cover	Operating Side
(24)	SC-113	Screw	Cover Mounting (2)
(25)	C1-T-160X	<u>LENS BUSHING &amp; CLAMP SCREW ASSEMBLY</u>	
(26)	BU-193X	Bushing	Lens
(27)	PE-1040	Plate	Rubber
(28)	SC-574	Screw	Clamping (2)
(29)	SC-2238X	Screw	Locating
(30)	C1-T-490	<u>LENS LOCATING RING &amp; STUD KIT ASSEMBLY</u>	
	C1-T-170	ASSEMBLY (LENS LOCATING RING & CLAMP SCREW)	
(31)	SU-995	Stud	Lens Locating Ring
(32)	C1-T-170	<u>LENS LOCATING RING &amp; CLAMP SCREW ASSEMBLY</u>	
(33)	RI-69	Ring	Lens Locating
(34)	SC-574	Screw	Lens Ring Clamp

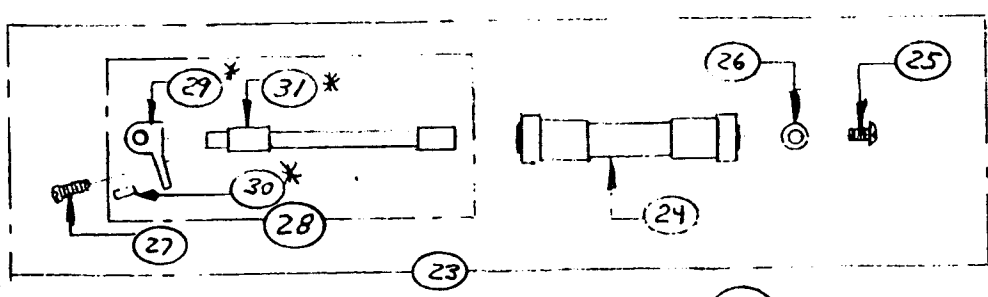
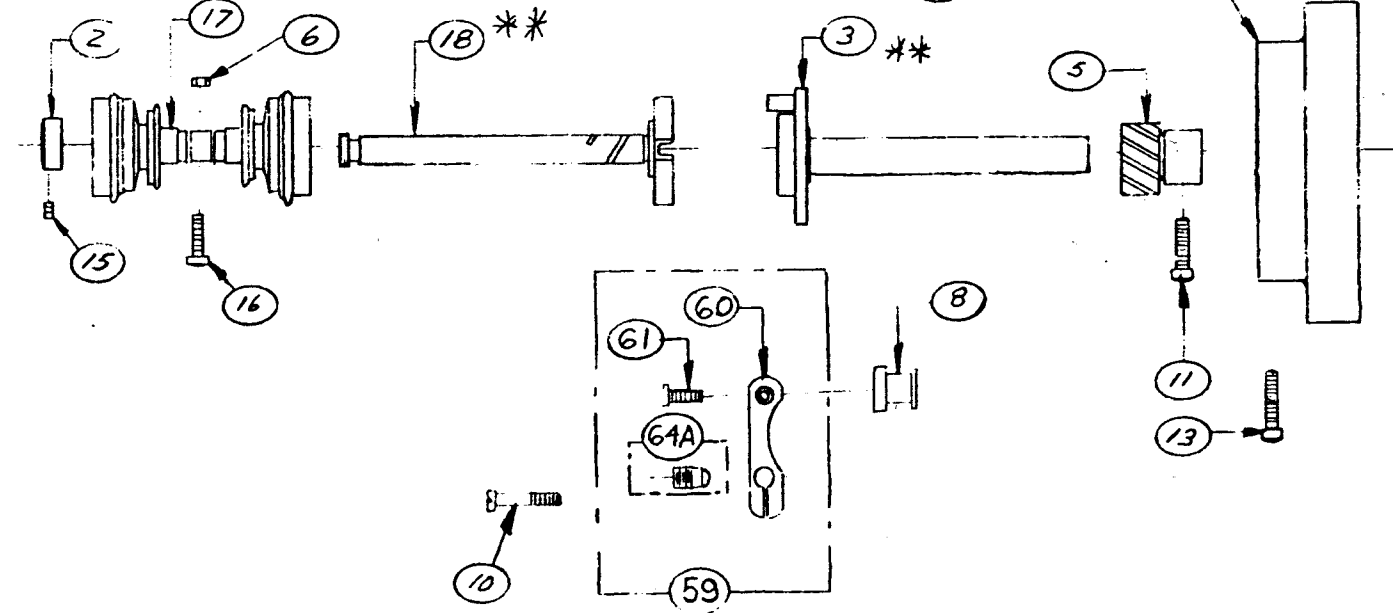
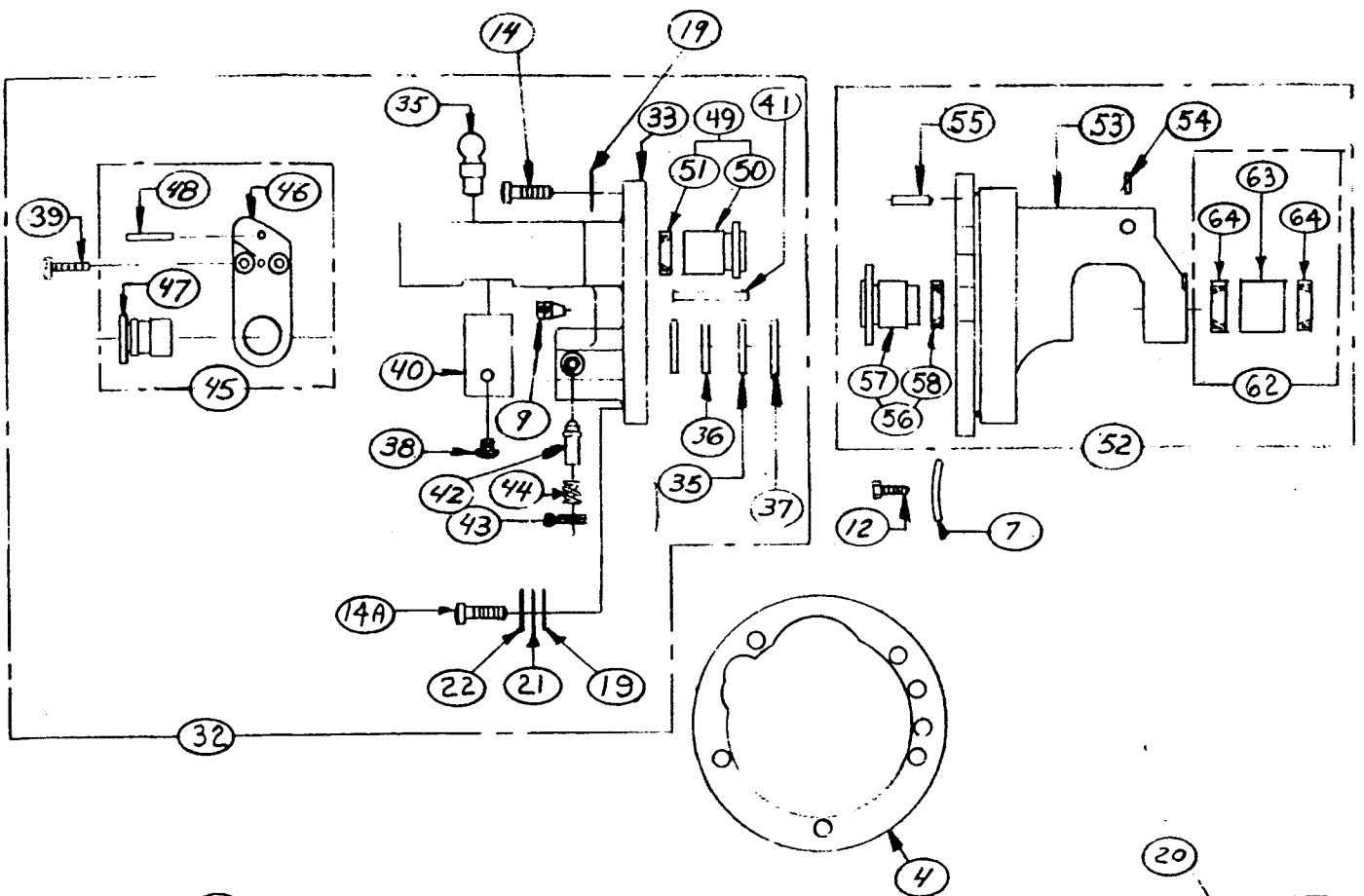
CENTURY MODEL JJ-2 PROJECTOR



CENTURY MODEL "JJ-2" PROJECTOR

<u>Item</u>	<u>Part No.</u>	<u>Description</u>
①	J1-A-30	<u>INTERMITTENT CARRIAGE &amp; SHUTTER ADJ. ASSEMBLY</u>
	J1-A-33	<u>ASSEMBLY (INTERMITTENT CARRIAGE)</u>
②	BU-30	Bushing Shutter Adj.
③	CG-14	Coupling Shutter Adj.
④	KN-43	Knob Shutter Adj.
⑤	RT-10	Retainer Shutter Adj.
⑥	SC-77	Screw Shutter Adj. (3)
⑦	SC-138	Screw Shutter Adj.
⑧	ST-62	Shaft Shutter Adj.
		<u>ASSOCIATED PARTS</u>
⑨	GI-1	Gib Carriage
⑩	SC-71	Screw Carriage Gib (2)
⑪	SG-928	Spring Carriage Gib
⑫	WA-132	Washer Carriage Gib (2)
⑬	J1-A-33	<u>INTERMITTENT CARRIAGE ASSEMBLY</u>
	V1-A-32	<u>ASSEMBLY (SHUTTER ADJUSTMENT &amp; COLLAR)</u>
⑭	BR-12	Bracket Shutter Adj.
⑮	CA-607	Carriage Intermittent
⑯	GI-6	Gib Shutter Adj.
⑰	NU-7	Nut Shutter Adj. (2)
⑱	PN-22	Pin Carriage Rack
⑲	PN-811	Pin Shutter Adj. Gib (2)
⑳	RK-4	Rack Framing
㉑	RT-3	Retaining Carriage Spring (2)
㉒	SC-75	Screw Framing Rack (2)
㉓	SC-78	Screw Shutter Adj. Gib (2)
㉔	SC-82	Screw Carriage Spring Retaining (2)
㉕	SC-1533	Screw Intermittent Retaining (4)
㉖	SG-100	Spring Shutter Adj. Bracket
㉗	WA-11	Washer Shutter Adj.
㉘	WA-302	Washer Lock, Shutter Adj. Gib (2)
		<u>ASSOCIATED PARTS</u>
㉙	SA-752	Spacer Shutter Adjustment Bracket (2)
㉚	SC-751	Screw Shutter Adjustment Bracket (2)
㉛	V1-A-32	<u>SHUTTER ADJUSTMENT SCREW &amp; COLLAR ASSEMBLY</u>
㉜	*CL-7	Collar Shutter Adjustment Shaft
㉝	*PN-23	Pin Shutter Adjustment Shaft (2)
㉞	*SC-61	Screw Shutter Adjustment Shaft
㉟	*CL-195	Collar Shutter Adjustment Shaft
㊱	C1-A-20	<u>FRAMING SHAFT ASSEMBLY</u>
	C1-A-21	<u>ASSEMBLY (FRAMING SHAFT ASSEMBLY)</u>
㊲	CL-12	Collar Framing Shaft
㊳	CP-1	Clamp Framing Shaft Outer
㊴	CP-31	Clamp Framing Shaft Inner
㊵	KN-44	Knob Framing Shaft
㊶	SC-73	Screw Framing Shaft
㊷	SC-74	Screw Framing Shaft
㊸	SC-132	Screw Framing Shaft
㊹	SC-140	Screw Framing Shaft
㊺	SG-41	Spring Framing Shaft
㊻	WA-11	Washer Framing Shaft
㊼	C1-A-21	<u>FRAMING SHAFT &amp; PINION ASSEMBLY</u>
㊽	*PI-4	Pinion Framing Shaft
㊾	*PN-29	Pin Framing Shaft
㊿	*ST-1	Shaft Framing

\*Not Sold Separately





## CENTURY MODEL "JJ-2" PROJECTOR

art No.	Description
-BB-30	INTERMITTENT MOVEMENT ASSEMBLY "JJ"
J1-BB-38	ASSEMBLY (FILM STABILIZER BRACKET & ROLLER)
J1-BB-16	ASSEMBLY (INTERMITTENT COVER)
J1-BB-17	ASSEMBLY (INTERMITTENT CASE)
F1-BB-26	ASSEMBLY (PAD ASS'Y, 35MM INT SPROCKET)
J1-BB-26	ASSEMBLY (PAD ASS'Y, 70MM INT SPROCKET)
H1-BB-31	ASSEMBLY (CAM THRUST)
CI-624	Collar Starwheel Shaft Thrust
CM-528	Cam Int., Includes PG-616 & PN-615
GA-326	Gasket Int. Case, Cover, Oil
GR-7	Gear Cam Thrust
NU-81	Nut Int. Sprocket Fast. Screw
PE-38	Plate Stop (Large)
SA-1479	Spacer Cam Thrust Bracket
SC-39	Screw Starwheel & Cam Adjusting (2)
SC-69	Screw Cam Thrust Bracket
SC-81	Screw Cam Thrust Gear Fastening
SC-134	Screw Stop Plate
SC-915	Screw Flywheel Fastening
SC-1047	Screw Int. Cover Fastening (4)
SC-1010	Screw Oil Drain
SC-1235	Screw Int. Star Thrust Collar Fast.
SC-1322	Screw Int. Sprocket Fastening
SK-1480	Sprocket JJ Int. Sprocket
SK-1476	Starwheel Intermittent
WA-65	Washer Cover Fastening Screw (5)
WH-199	Flywheel Intermittent
WA-12	Washer Cover Oil Drain Screw (Copper)
WA-126	Washer Cover Oil Drain Screw (Fiber)
-BB-38	LOWER LOOP STABILIZER BRACKET & ROLLER ASS'Y
J1-BB-39	ASSEMBLY (LOWER LOOP STAB. ROLLER, BKT. & STUD)
RO-207	Roller Lower Loop Stabilizer
SC-565	Screw Lower Loop Stabilizer Roller Ret.
WA-109	Washer Loop Stabilizer Roller Ret. Screw
<u>ASSOCIATED PARTS</u>	
SC-2036	Screw Lower Loop Stabilizer Ass'y Mtg.
-BB-39	LOWER LOOP STABILIZER ASSEMBLY
BR-695	Bracket Lower Loop Stabilizer Roller
PN-26	Pin Lower Loop Stab. Roller Bkt. Loc.
SU-1475	Stud Lower Loop Stabilizer Roller

## CENTURY MODEL "JJ-2" PROJECTOR

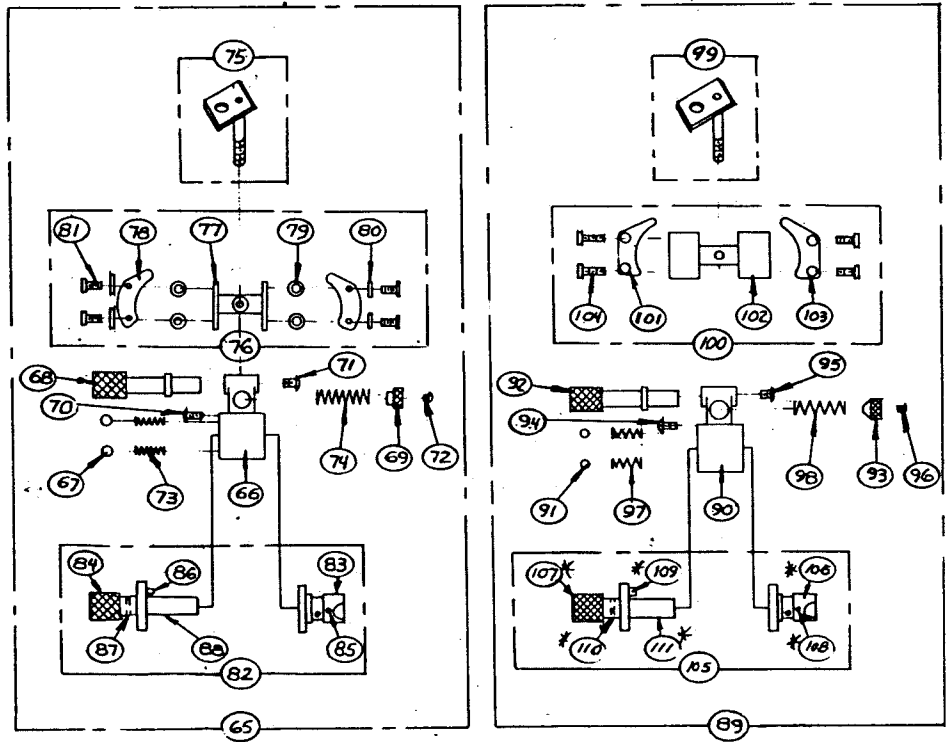
Item	Part No.	Description
32	J1-BB-16	INTERMITTENT COVER ASSEMBLY
	J1-BB-40	ASSEMBLY (INNER STAR SHAFT BUSHING & RING SEAL)
	H1-BB-34	ASSEMBLY (FRONT STARWHEEL BEARING BRACKET)
33	CR-608	Cover Intermittent
34	CU-658	Cup Oil (Notched)
35	GA-20	Gasket Oil Gauge (Fiber) (2)
36	GG-19	Gauge Oil (Window)
37	NU-10	Nut Oil Gauge
38	SC-94	Screw Int. Film Stripper Fastening
39	SC-1190	Screw Front Star Bearing Bkt. Ass'y Fast (2)
40	SP-1326	Stripper Intermittent Film
41	PN-634	Pin Int. Sprocket Pad & Arm Ass'y Loc.
42	PU-619	Plunger Intermittent Pad
43	SC-1211	Screw Intermittent Pad Retaining Spring
44	SG-1210	Spring Intermittent Pad Plunger
45	H1-BB-34	FRONT STARWHEEL BEARING BRACKET ASSEMBLY
46	BR-644	Bracket Front Starwheel Bearing
47	BU-646	Bushing Starwheel Shaft (Outer)
48	PN-665	Pin Bracket Locating (2)
49	J1-BB-40	INNER STAR BUSHING & RING SEAL ASSEMBLY
50	BU-1274	Bushing Starwheel Shaft (Inner)
51	RI-576	Ring Seal
52	J1-BB-17	INTERMITTENT CASE ASSEMBLY
	H1-BB-36	INNER CAMSHAFT BUSHING & RING SEAL ASS'Y
	H1-BB-37A	OUTER CAM BUSHING & RING SEAL ASS'Y
53	CS-609	Case Intermittent ("JJ")
54	PG-159	Plug Case Oil Hole (Felt)
55	PN-32	Pin Adjusting Arm
56	H1-BB-36	INNER CAM BUSHING & RING SEAL ASSEMBLY
57	BU-1257	Bushing Camshaft (Inner)
58	RI-577	Ring Seal Camshaft (Inner)
59	H1-BB-31	CAM THRUST BALL BEARING & BRACKET ASSEMBLY
	CI-BB-11	ASSEMBLY (INT. CAM THRUST BALL BEARING)
60	BR-643	Bracket Intermittent Cam Thrust
61	SC-85	Screw Intermittent Cam Thrust Bearing
62	H1-BB-37A	OUTER CAM BUSHING & RING SEAL ASSEMBLY
63	BU-1281	Bushing Camshaft (Outer)
64	RI-577	Ring Seal Camshaft (Outer) (2)
64A	CI-BB-11	INTERMITTENT CAM THRUST BALL BEARING ASSEMBLY

(Continued On Next Page)

\* These Parts Not Sold Separately

\*\* Recommend Ordering As Matched Parts

CENTURY MODEL N-2 PROJECTOR

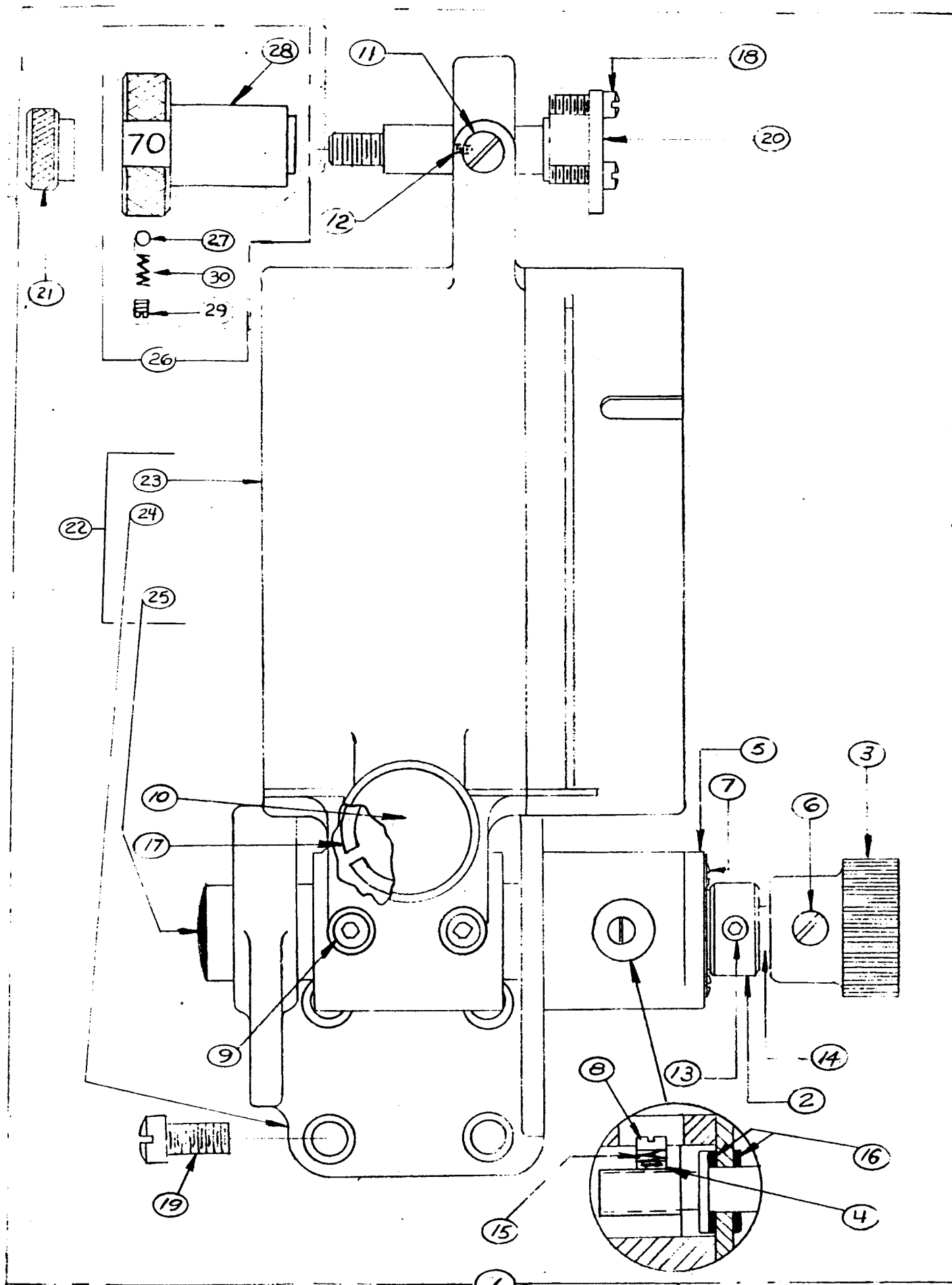


CENTURY MODEL "JJ-2" PROJECTOR

<u>Item</u>	<u>Part No.</u>	<u>Description</u>
65	F1-BB-26	<u>35MM INTERMITTENT SPROCKET PAD &amp; ARM ASS'Y</u>
	C1-BB-27	ASSEMBLY (INT. PAD, STUD & PLATE)
	C1-BB-28	ASSEMBLY (INT. SPROCKET PAD)
	F1-BB-29	ASSEMBLY (INT. PAD, STUD & BUSHING)
66	AR-92	Arm (35mm) Intermittent Sprocket Pad
67	BL-18	Ball Intermittent Sprocket Pad Arm (2)
68	KN-30	Knob Intermittent Sprocket Pad Arm
69	NU-46	Nut Intermittent Pad Adjusting Spring
70	SC-82	Screw Spring Stud Plate Fastening
71	SC-127	Screw Knob Fastening
72	SC-708	Screw Int. Pad Adj. Spring Nut Stop
73	SG-21	Spring Int. Sprocket Pad Arm (2)
74	SG-705	Spring Int. Pad Adjusting
75	C1-BB-27	<u>INTERMITTENT PAD SPRING STUD &amp; PLATE ASS'Y</u>
76	C1-BB-28	<u>INTERMITTENT SPROCKET PAD ASS'Y</u>
77	PA-194	Pad Int. Sprocket (Inner)
78	PA-195	Pad Int. Sprocket (Outer) (2)
79	SA-33	Spacer Int. Sprocket Pad (4)
80	SC-877	Screw Int. Sprocket Pad (4)
81	WA-151	Washer Int. Sprocket Pad (Screw Lock)
82	F1-BB-29	<u>INTERMITTENT PAD STUD &amp; BUSHING ASSEMBLY</u>
83	*BU-27	Bushing Pad Roller Thrust
84	*KN-24	Knob Pad Roller
85	*PN-25	Pin Taper
86	*PN-36	Pin Stop
87	*PN-68	Pin, Stud & Knob Securing
88	*SU-4	Stud Intermittent Pad Roller
89	J1-BB-26	<u>70MM INTERMITTENT SPROCKET PAD &amp; ARM ASS'Y</u>
	C1-BB-27	ASSEMBLY (INT. PAD, SPRING, STUD & PLATE)
	J2-BB-28	ASSEMBLY (70MM INT. SPROCKET PAD)
	F1-BB-29	ASSEMBLY (INT. SPROCKET PAD STUD & BUSHING)
90	AR-92	ARM INTERMITTENT SPROCKET PAD
91	BL-18	Ball Intermittent Sprocket Pad Arm (2)
92	KN-30	Knob Intermittent Sprocket Pad Arm
93	NU-46	Nut Intermittent Pad Adjusting Spring
94	SC-82	Screw Spring Stud Plate Fastening
95	SC-127	Screw Knob Fastening
96	SC-708	Screw Int. Pad Adj. Spring Nut Stop
97	SG-21	Spring Int. Sprocket Pad Arm (2)
98	SG-1464	Spring Int. Pad Adjusting
99	C1-BB-27	<u>INTERMITTENT PAD SPRING STUD &amp; PLATE ASS'Y</u>
100	J2-BB-28	<u>70MM INTERMITTENT PAD SPRING STUD &amp; PLATE ASS'Y</u>
101	PA-890	Pad Intermittent Sprocket Outer
102	PA-891	Pad Intermittent Sprocket Inner
103	PA-892	Pad Intermittent Sprocket (Rear)
104	SC-1851	Screw Intermittent Sprocket Pad Fast. (4)
105	F1-BB-29	<u>INTERMITTENT PAD, STUD &amp; BUSHING ASS'Y</u>
106	*BU-27	Bushing Pad Roller Thrust
107	*KN-24	Knob Pad Roller
108	*PN-25	Pin Taper
109	*PN-36	Pin Stop
110	*PN-68	Pin Stud & Knob Securing
111	*SU-4	Stud Intermittent Pad Roller

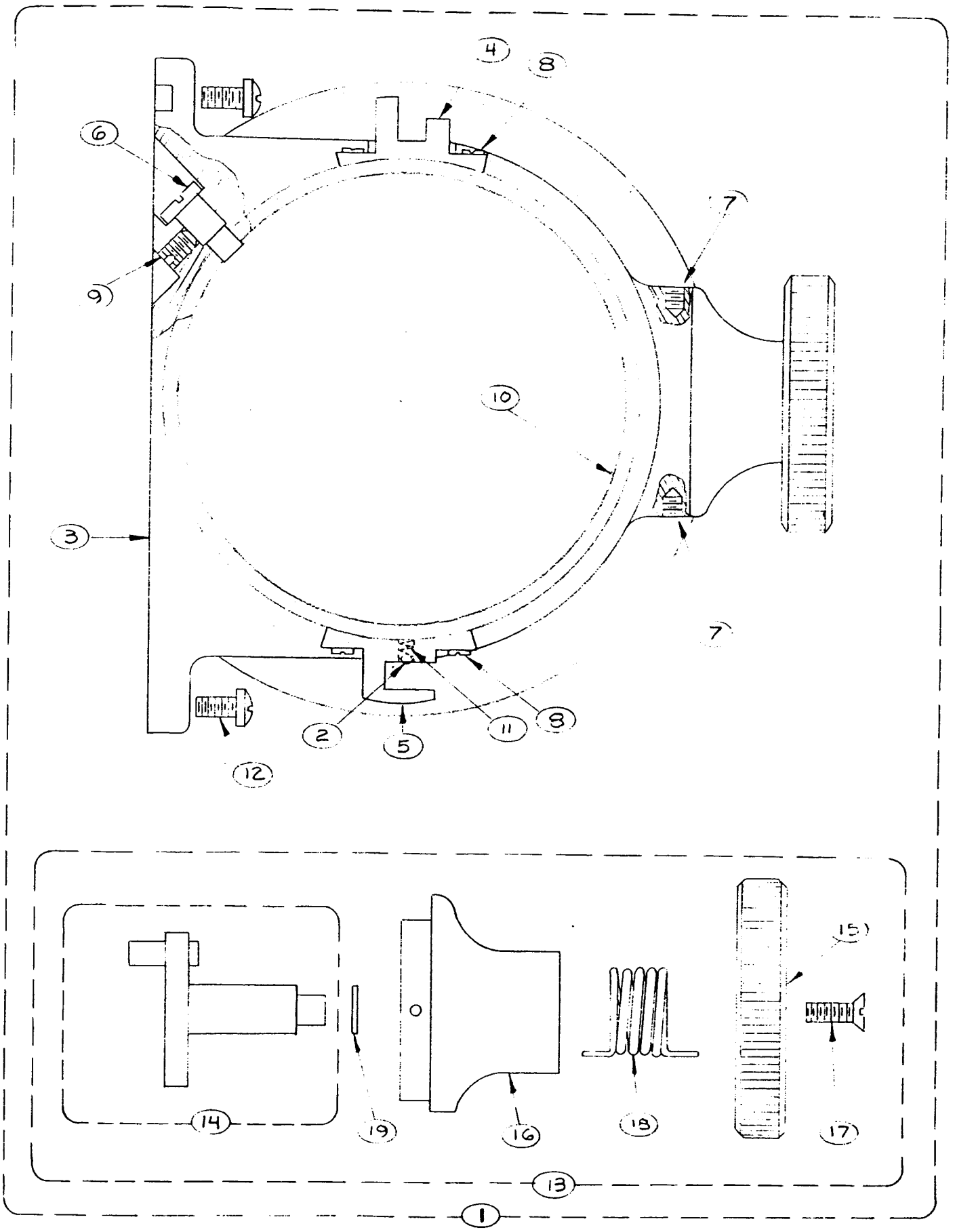
\* Not Sold Separately

CENTURY MODEL VV-2 PROJECTOR



CENTURY MODEL "JJ-2" PROJECTOR

<u>Item</u>	<u>Part No.</u>	<u>Description</u>
①	J2-A-60A	<u>FOUR INCH LENS MOUNT ASSEMBLY</u>
	H1-A-59A	ASSEMBLY (LENS MOUNT BKT. & FOCUS ROD)
②	CL-554	Collar Focusing Screw
③	KN-45	Knob Focusing
④	PG-301	Plug Screw
⑤	SA-1226	Spacer Focusing Screw
⑥	SC-72	Screw Focusing, Knob Fastening
⑦	SC-105	Screw Focusing Screw, Spacer Fast. (3)
⑧	SC-678	Screw Plug Spring Retaining
⑨	SC-905	Screw Lens Mount Rod Fastening (2)
⑩	SC-1229	Screw Lens Clamp
⑪	SC-1231	Screw Lens Mount Eccentric Adjust (2)
⑫	SC-579	Screw Lens Mount Ecc. Lock (2)
⑬	SC-1236	Screw Focusing Screw Collar Retaining
⑭	SC-1362	Screw Focusing
⑮	SG-999	Spring Screw Plug
⑯	WA-163	Washer Focusing Screw Thrust (2)
⑰	WA-203	Washer Lens Clamp Screw Split
		<u>ASSOCIATED PARTS</u>
	J1-A-61	<u>ASSEMBLY (LENS MOUNT ECC. BUSHING)</u>
⑱	SC-88	Screw Lens Mount Ecc. Bush. Stud Fast. (3)
⑲	SC-137	Screw Lens Mount Support Fastening (4)
⑳	SU-1392	Stud Lens Mount Ecc. Bushing
㉑	NU-79	Nut Eccentric Bushing Lock
㉒	H1-A-59A	<u>LENS MOUNT BRACKET &amp; FOCUS ROD</u>
㉓	BR-601X	Bracket Lens Mount
㉔	BR-663	Bracket Lens Mount Support
㉕	RD-150	Rod Focus
㉖	J1-A-61	<u>LENS MOUNT ECCENTRIC BUSHING ASSEMBLY, JJ</u>
㉗	BL-701	Ball Lens Mount Eccentric Bushing
㉘	BU-716	Bushing Lens Mount Eccentric Bushing
㉙	SC-63	Screw Lens Mount Eccentric Bushing
㉚	SG-1550	Spring Lens Mount Eccentric Bushing

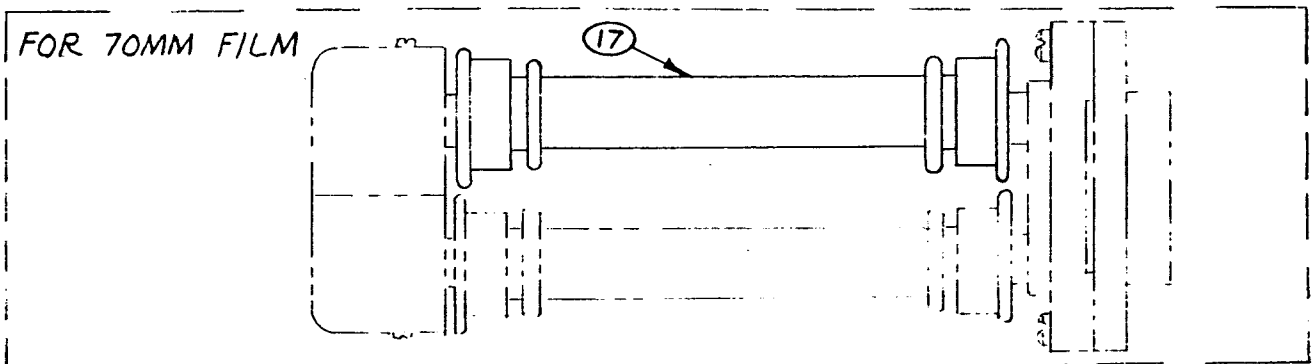
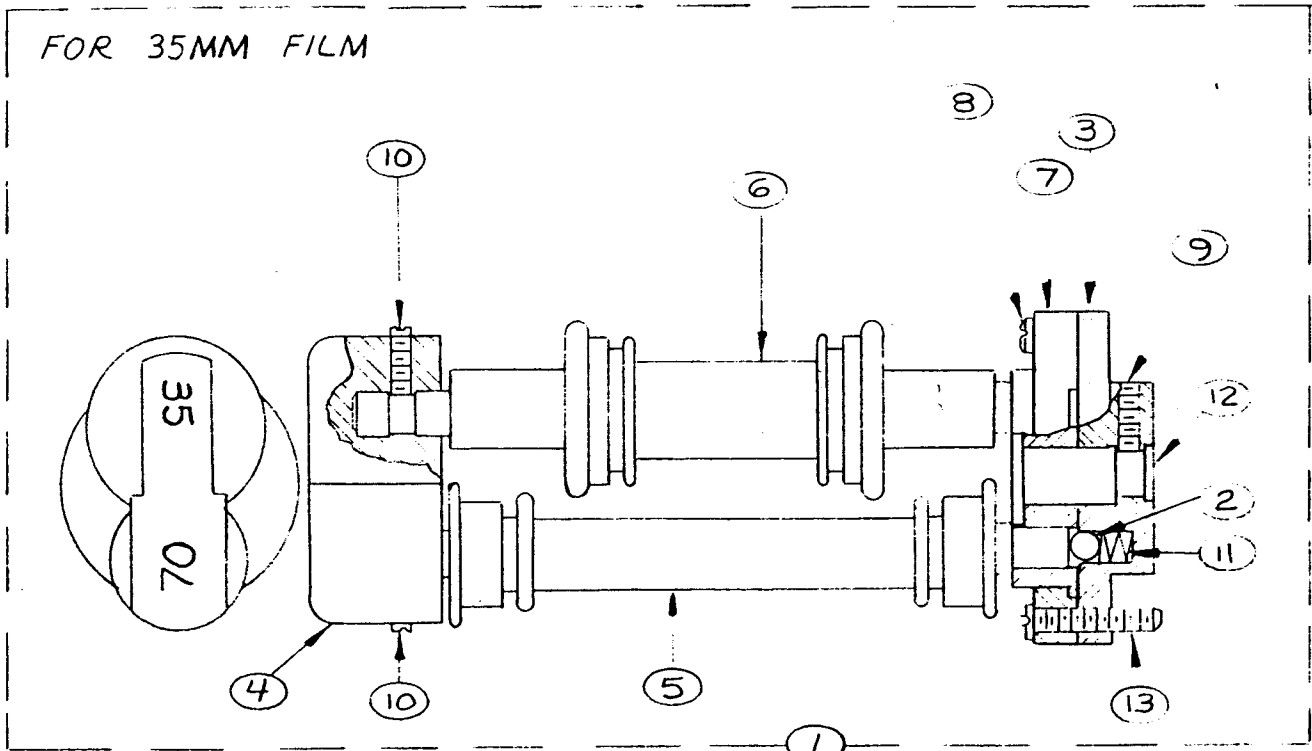
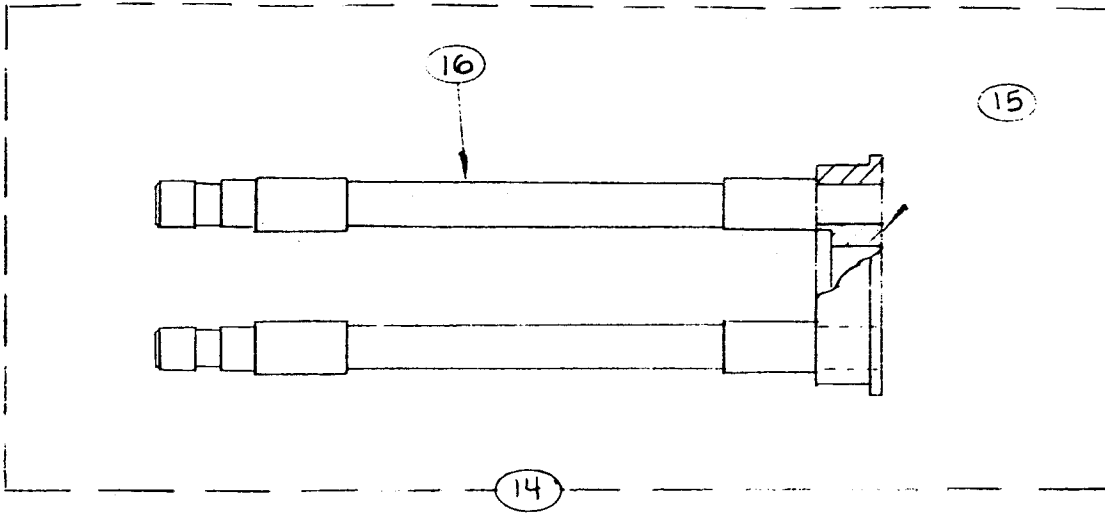


CENTURY MODEL "JJ"-2" PROJECTOR

<u>Item</u>	<u>Part No.</u>	<u>Description</u>
①	J4-A-70	<u>FILM GATE SUPPORT TUBE &amp; BRACKET ASSEMBLY</u>
	H1-A-66	ASSEMBLY (FILM GATE LOCK KNOB & SHAFT)
②	BL-596	Ball Retaining
③	**BR-928	Bracket Film Gate Support Tube
④	*BR-930	Bracket Film Gate Support, Upper
⑤	*BR-931	Bracket Film Gate Support, Lower
⑥	EC-1	Eccentric Film Gate Alignment
⑦	SC-131	Screw Film Gate Lock Fast. (2)
⑧	SC-1212	Screw Support, Upper & Lower Bkt. (4)
⑨	SC-1355	Screw Film Gate Align., Eccentric Lock
⑩	**TU-175	Tube Film Gate Support
⑪	SG-1213	Spring Retaining
		<u>ASSOCIATED PARTS</u>
⑫	SC-137	Screw Film Gate Support Bracket Mtg. (4)
⑬	H1-A-66	<u>FILM GATE LOCK KNOB &amp; SHAFT ASSEMBLY</u>
⑭	C1-A-67	<u>FILM GATE LOCK SHAFT &amp; PIN ASSEMBLY</u>
⑮	KN-27	Knob Film Gate Opening
⑯	LO-45	Lock Film Gate
⑰	SC-99	Screw Film Gate Knob Fastening
⑱	SG-14	Spring Film Gate Opening
⑲	WA-135	Washer Film Gate Knob

\* Not Sold Separately

\*\* Order As Matched Parts

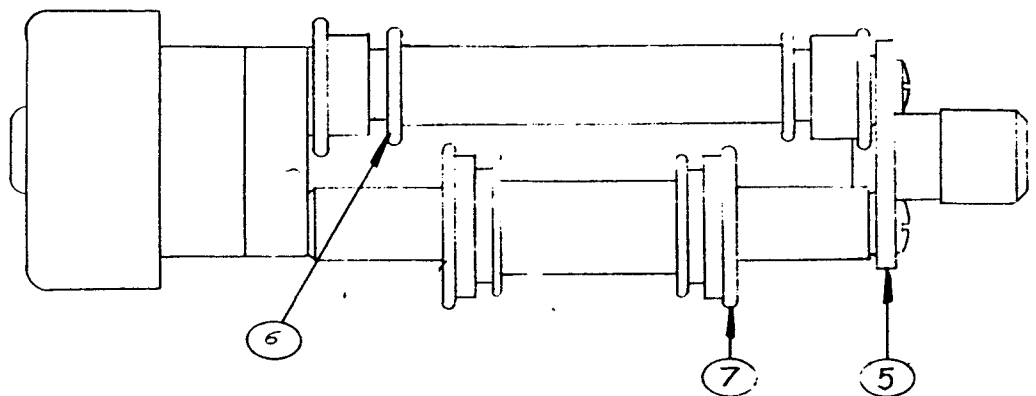
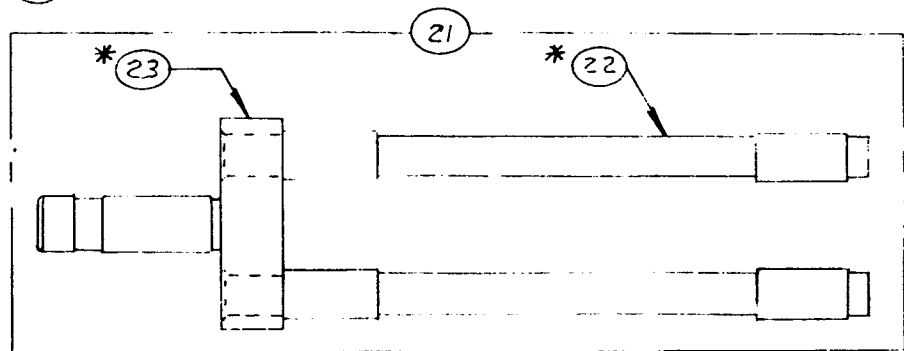
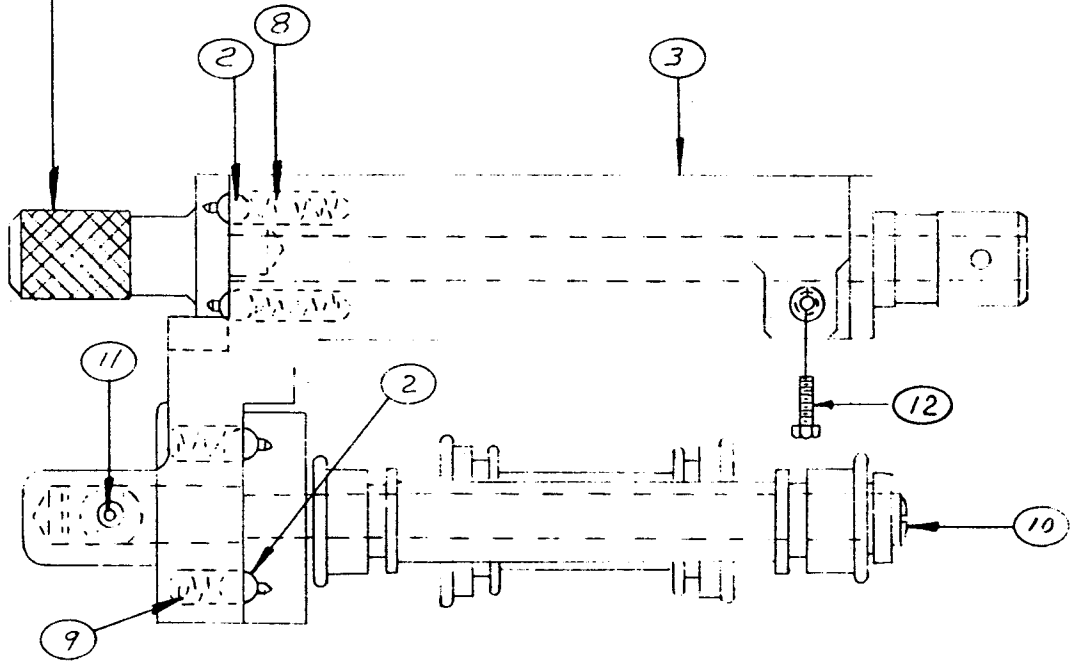
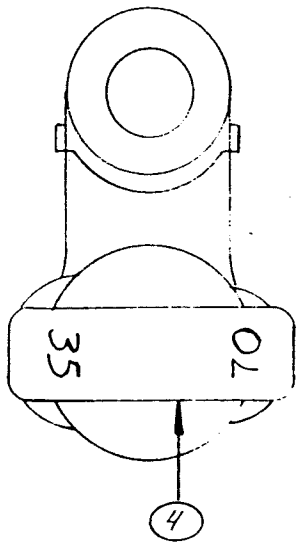
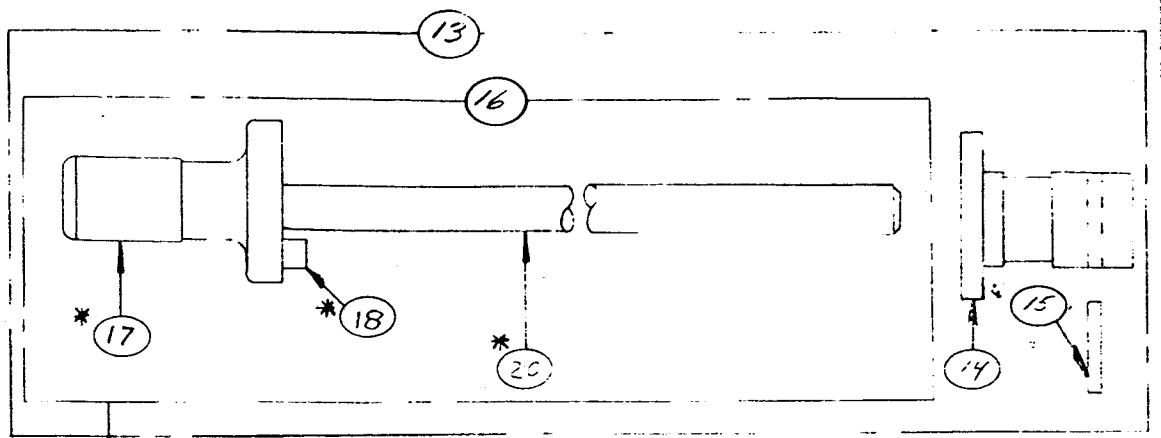




CENTURY MODEL "JJ-2" PROJECTOR

<u>Item</u>	<u>Part No.</u>	<u>Description</u>
①	J1-C-10	<u>UPPER PAD ROLLER ARM ASSEMBLY</u>
	J1-C-11	ASSEMBLY (UPPER PAD ROLLER STUD & RET. PLATE)
②	BL-18	Ball Pad Roller Arm (2)
③	BU-714	Bushing Pad Roller
④	KN-58	Knob Pad Roller
⑤	RO-209	Roller 70mm Pad
⑥	RO-210	Roller 35mm Pad
⑦	RT-211	Retainer Pad Roller Bushing
⑧	SC-88	Screw Pad Roller Retaining (3)
⑨	SC-873	Screw Pad Roller Bush Fastening (2)
⑩	SC-873	Screw Pad Roller Knob Retaining (2)
⑪	SG-1230	Spring Pad Roller Arm (2)
⑫	SU-1490	Stud Pad Roller Arm
		<u>ASSOCIATED PARTS</u>
⑬	SC-1492	Screw Pad Roller Arm Ass'y Mtg. (3)
⑭	J1-C-11	<u>UPPER PAD ROLLER STUD &amp; RETAINING PLATE ASS'Y</u>
⑮	*PE-722	Plate Pad Roller Stud Retain
⑯	*SU-1491	Stud Pad Roller (2)
		<u>INDIVIDUAL PARTS</u>
⑰	RO-209	Roller 70MM Pad (Two 70MM Pad Rollers are used When Running 70MM Film)

\* Not Sold Separately

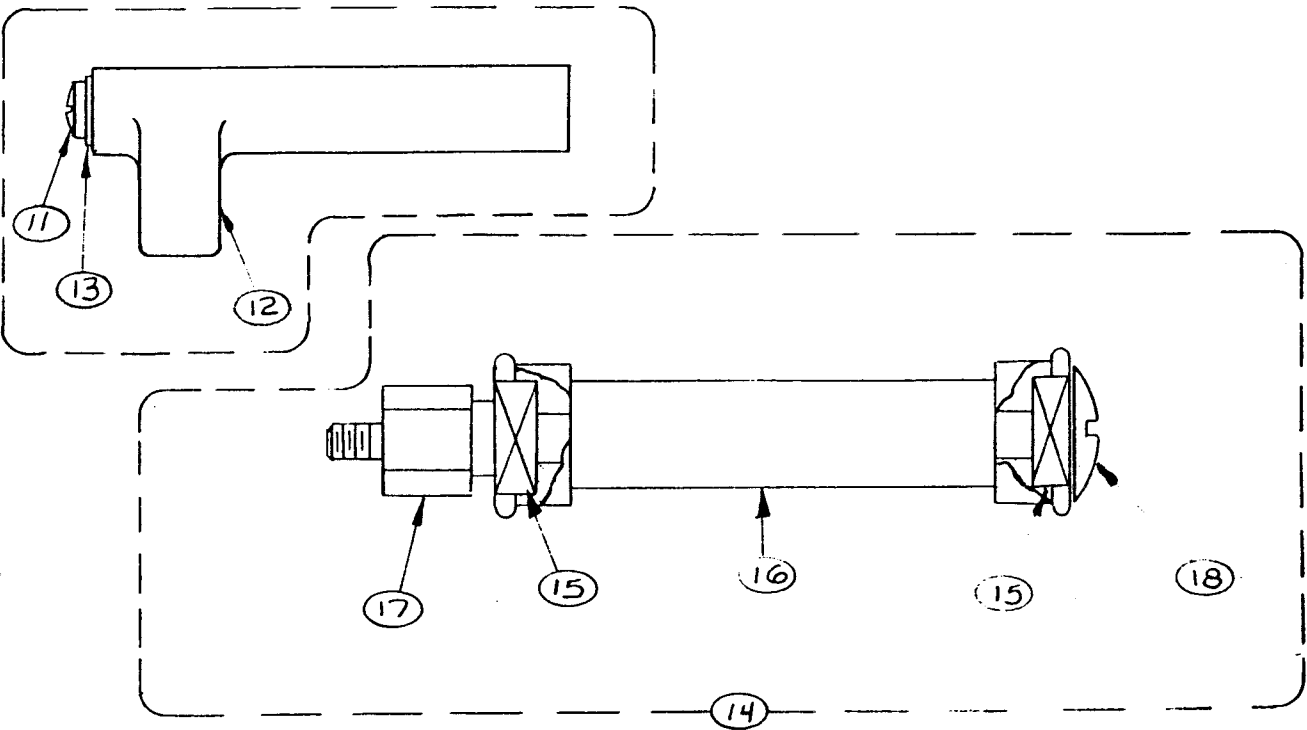
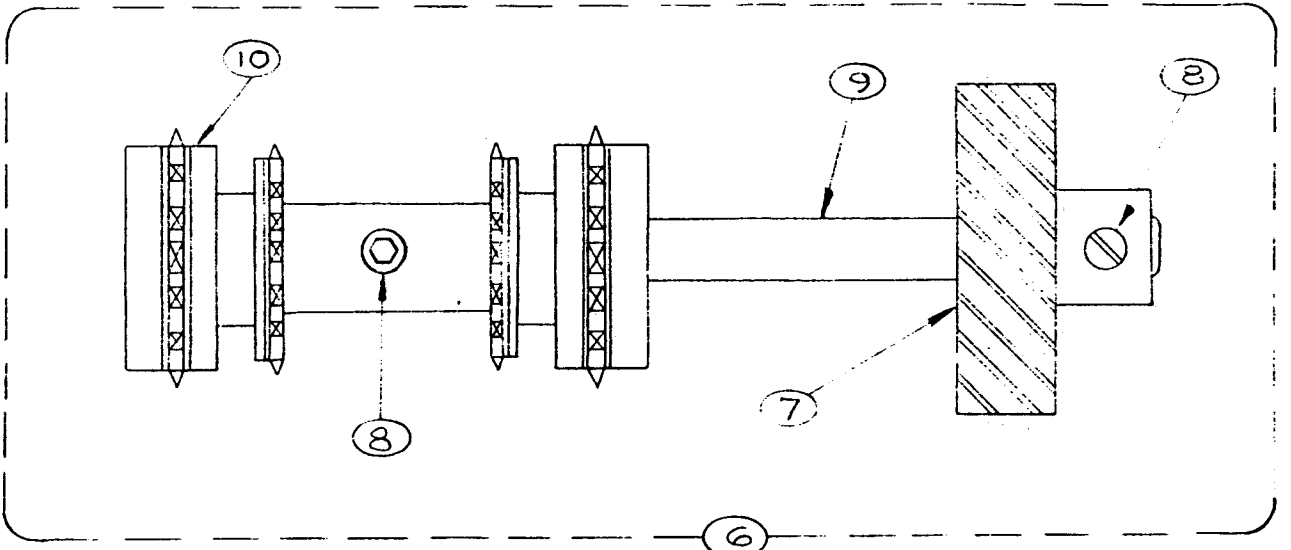
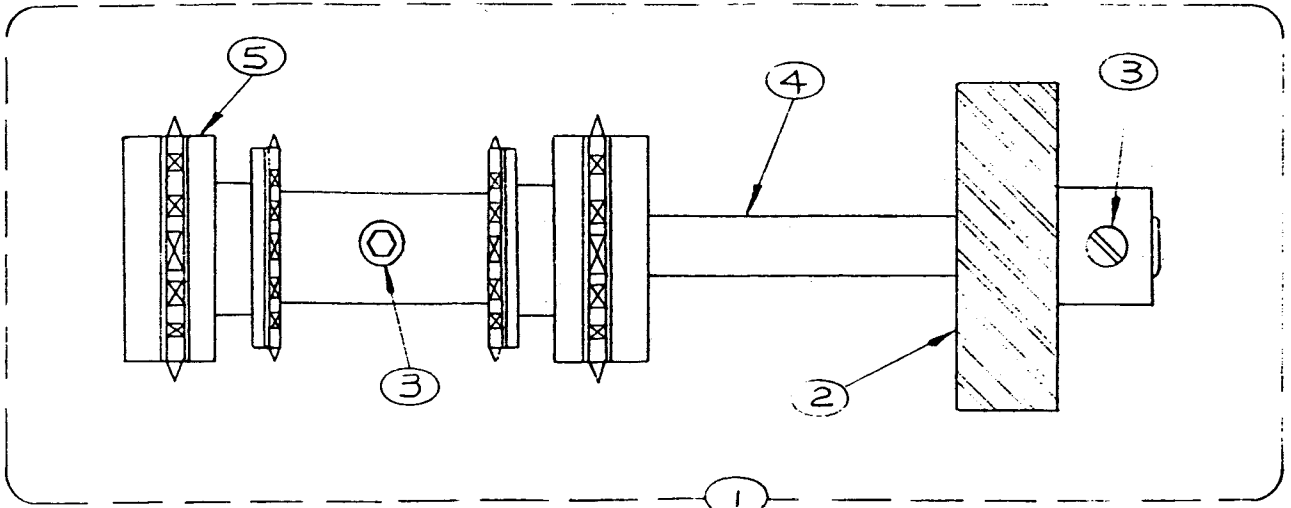


CENTURY MODEL "JJ-2" PROJECTOR

<u>Item</u>	<u>Part No.</u>	<u>Description</u>
①	J1-C-40	<u>LOWER PAD ROLLER ASSEMBLY</u>
	J1-C-41	ASSEMBLY (PAD ROLLER STUD KNOB & BUSH.)
	J1-C-43	ASSEMBLY (PAD ROLLER STUDS & RET. STUD)
②	BL-18	Ball Pad Roller Arm (4)
③	AR-116	Arm Lower Pad Roller
④	KN-77	Knob Lower Pad Roller
⑤	PE-727	Plate Pad Roller Distance
⑥	RO-209	Roller 70mm Pad
⑦	RO-210	Roller 35mm Pad
⑧	SG-21	Spring Pad Roller Arm (Long) (2)
⑨	SG-1230	Spring Pad Roller Arm (Short) (2)
⑩	SC-112	Screw Distance Plate Fastening (2)
⑪	SC-873	Screw Knob Fastening (2)
⑫	SC-2287	Screw Pad Roller Arm Stop
⑬	J1-C-41	<u>PAD ROLLER STUD, KNOB &amp; BUSHING ASSEMBLY</u>
	J1-C-42	ASSEMBLY (PAD ROLLER STUD & KNOB)
⑭	BU-27	Bushing Pad Roller Arm Stud
⑮	PN-25	Pin Pad Roller Arm Stud Bush. Fast.
⑯	J1-C-42	<u>PAD ROLLER STUD &amp; KNOB ASSEMBLY</u>
⑰	*KN-24	Knob Pad Roller
⑱	*PN-36	Pin Pad Roller Stop
⑳	*SU-1493	Stud Pad Roller Arm
㉑	J1-C-43	<u>LOWER PAD ROLLER STUD &amp; RETAINING STUD ASS'Y</u>
㉒	*SU-1498	Stud Lower Pad Roller (2)
㉓	*SU-1496	Stud Pad Roller Retaining

\* Not Sold Separately

CENTURY MODEL J-2 PROJECTOR



CENTURY MODEL "JJ-2 PROJECTOR

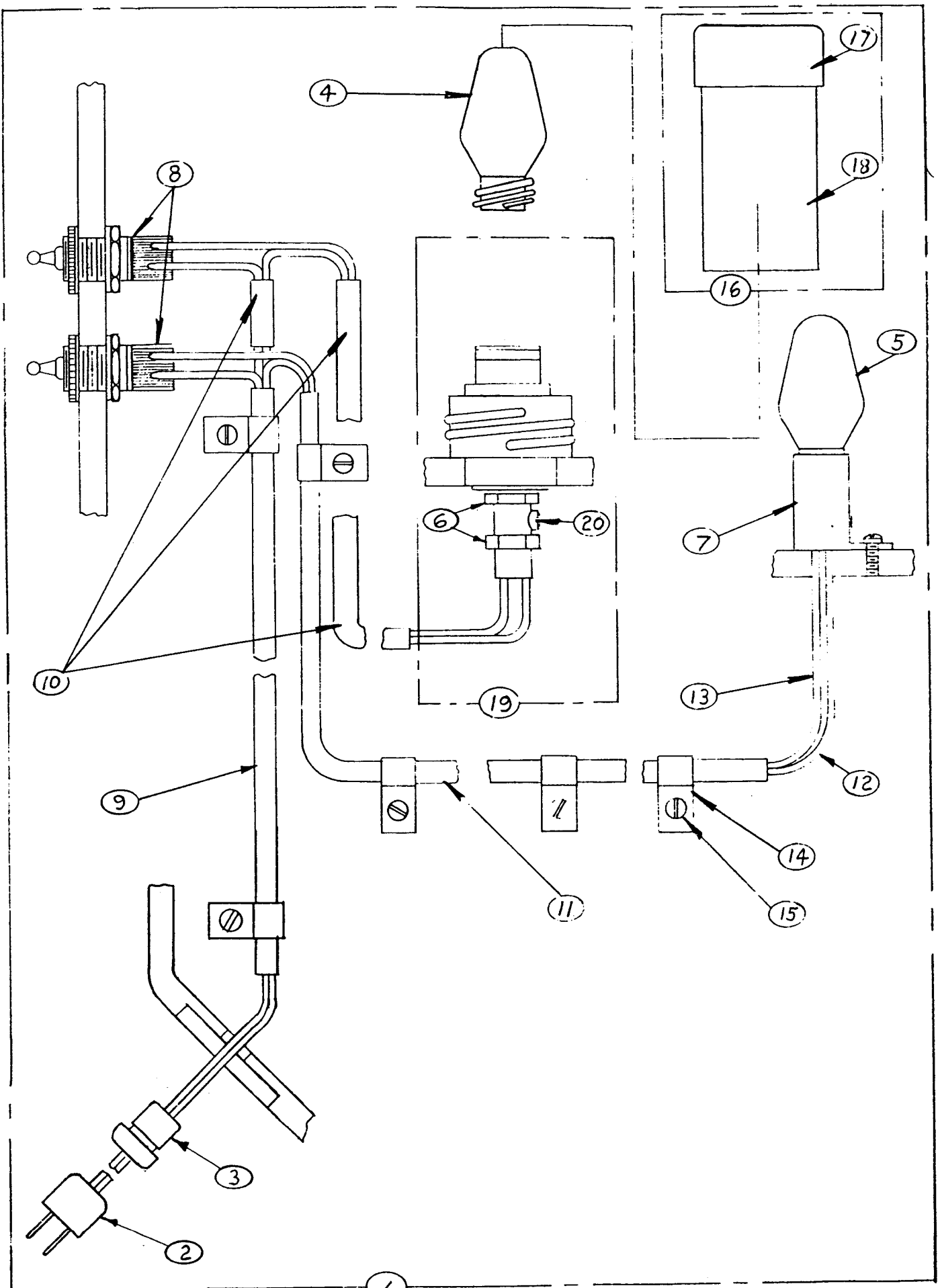
<u>ITEM</u>	<u>Part No</u>	<u>Description</u>	
①	J1-D-10	<u>FEED SPROCKET</u>	<u>SHAFT ASSEMBLY</u>
②	GR-10	Gear	Sprocket Shaft, Driven (Formica)
③	SC-1190	Screw	Sprocket & Gear Fastening (2)
④	ST-1481	Shaft	Sprocket
⑤	SK-1482	Sprocket	Feed (JJ)
⑥	J1-D-20	<u>TAKE-UP SPROCKET</u>	<u>SHAFT ASSEMBLY</u>
⑦	GR-10	Gear	Sprocket Shaft Driven (Formica)
⑧	SC-1190	Screw	Sprocket & Gear Fastening (2)
⑨	ST-1481	Shaft	Sprocket
⑩	SK-1483	Sprocket	Take-up (JJ)

INDIVIDUAL PARTS

⑪	SC-1522	Screw	Film Stripper Retaining (see page 9)
⑫	SP-1509	Stripper	Film Stripper, Lower Sprocket (see page 9)
⑬	WA-70	Washer	Film Stripper (see page 9)

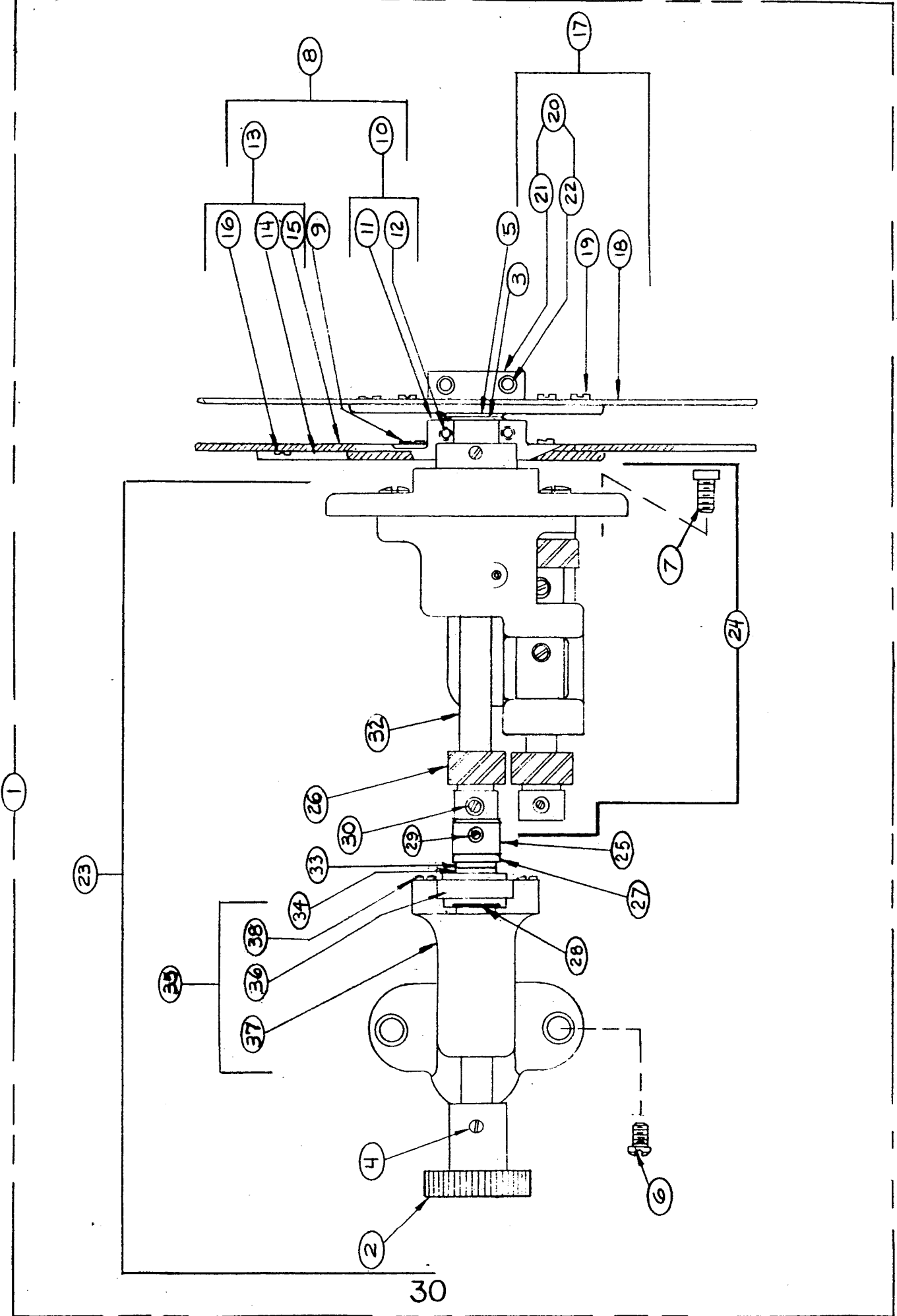
⑭	J1-A-110	<u>70MM FILM GUIDE ROLLER</u>	<u>ASSEMBLY</u>
⑮	BG-1260	Bearing	Ball (2)
⑯	RO-204	Roller	Film Guide
⑰	SU-1478	Stud	70mm Film Guide Roller
⑱	SC-1233	Screw	Roller Retaining

CENTURY MODEL VV-2 PROJECTOR



CENTURY MODEL "JJ-2" PROJECTOR

<u>Item</u>	<u>Part No.</u>	<u>Description</u>
1	J4-A-50	<u>PILOT LIGHT ASSEMBLY (TWO SWITCHES)</u>
	C3-A-53	ASSEMBLY (PILOT LIGHT SHIELD)
	C3-A-55	ASSEMBLY (PILOT LIGHT SOCKET & GUARD SUPPORT)
2	CD-881	Cord Power
3	CP-882	Clamp Power Cord
4	LT-91	Light Pilot Light
5	LT-112	Lamp Framing Light
6	NU-6	Nut Pilot Light Retaining (2)
7	SF-1097	Socket Threading Lamp
8	SW-64	Switch Pilot Light & Threading Light (2)
9	TU-134	Tube Pilot Light Flexible Shield (Long)
10	TU-135	Tube Pilot Light Flexible Shield (Short) (2)
11	TU-136	Tube Pilot Light Flexible Shield
12	WI-183	Wire Pilot Light Connecting (17" Long)
13	WI-259	Wire Pilot Light Connecting (15" Long)
<u>ASSOCIATED PARTS</u>		
14	CD-883	Clamp Flexible Shield Retaining (6)
15	SC-112	Screw Clamp & Thrd. LT. Socket Fast. (7)
16	C3-A-53	<u>PILOT LIGHT SHIELD ASSEMBLY</u>
17	SD-1997	Shield Pilot Light (Rubber)
18	SD-2113	Shield Pilot Light (Glass)
19	C3-A-55	<u>PILOT LT. SOCKET HLDR. SLV &amp; GUARD SUPP. ASS'Y</u>
20	SC-172	Screw Pilot Light Locating



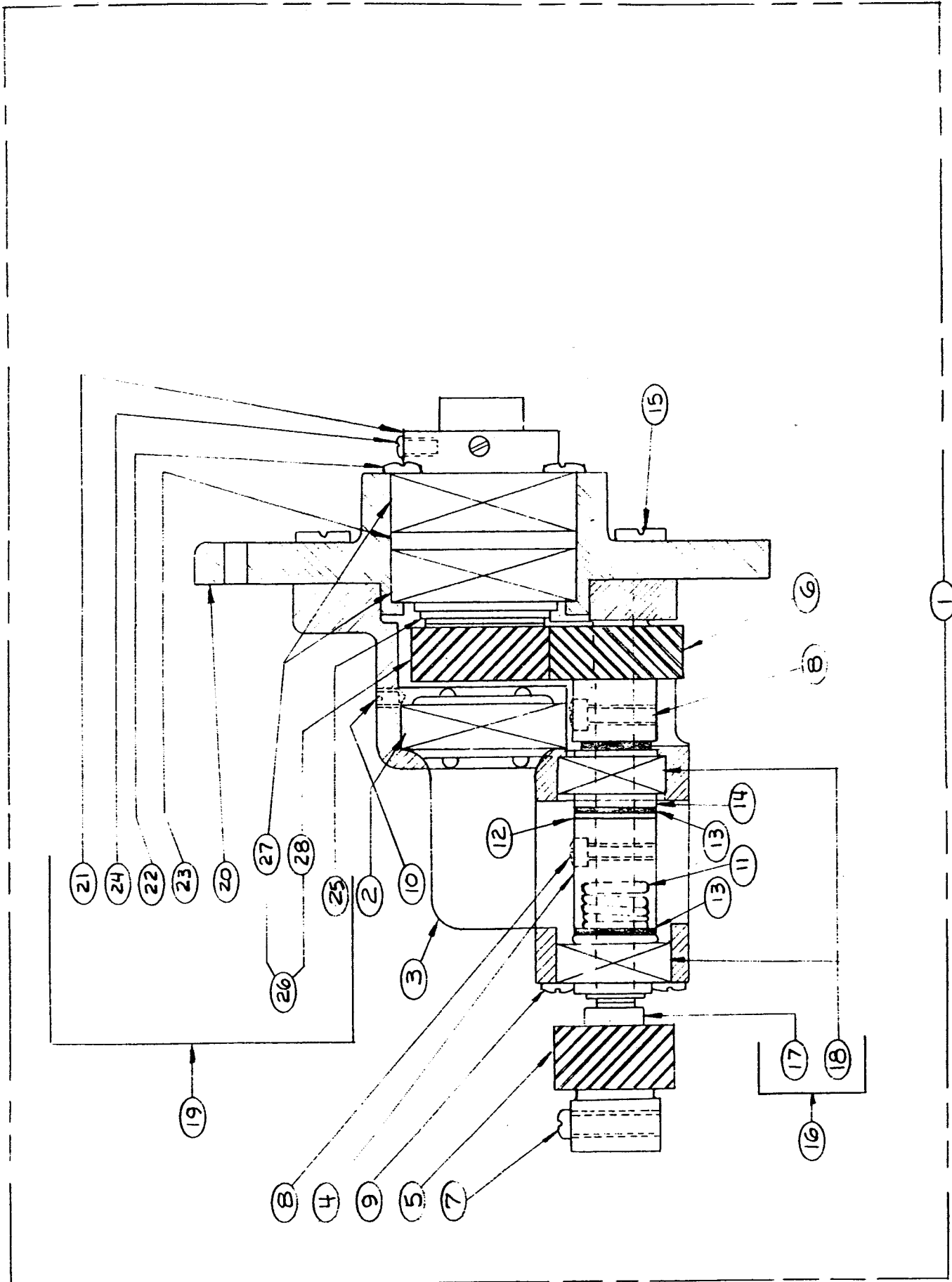


## CENTURY MODEL "JJ-2" PROJECTOR

<u>Item</u>	<u>Part No.</u>	<u>Description</u>
1	J4-D-50A	<u>DOUBLE SHUTTER SHAFT, BKTS, GEAR &amp; BLADE ASS'Y (90 DEG)</u>
	J8-D-51	ASSEMBLY (REVERSE DOUBLE SHUTTER BLADE & HUB)
	J8-D-52	ASSEMBLY (DIRECT DOUBLE SHUTTER BLADE & HUB)
	H1-D-54A	ASSEMBLY (DOUBLE SHUTTER SHAFT, BKT & B.B.)
2	KN-86	Knob Shutter Shaft Indicator
3	SA-2044	Spacer Shutter Hub
4	SC-74	Screw Knob Fastening
5	SG-16	Spring Hub Spacing
		<u>ASSOCIATED PARTS</u>
6	SC-137	Screw Shutter Ass'y Mtg. (Front) (2)
7	SC-1116	Screw Shutter Ass'y Mtg. (Rear) (4)
8	J8-D-51	<u>INNER DOUBLE SHUTTER BLADE &amp; HUB ASSEMBLY (90 DEG)</u>
	C2-D-56	ASSEMBLY (SHUTTER HUB, INNER)
	J8-D-59	ASSEMBLY (SHUTTER & DRAFT BLADE, INNER)
9	SC-128	Screw Shutter Blade Fastening (5)
10	C2-D-56	<u>REVERSE DOUBLE SHUTTER HUB ASSEMBLY (INNER)</u>
11	HB-45	Hub Reverse Double Shutter (Inner)
12	SC-574	Screw Reverse Double Shutter Hub Clamp (2)
13	J8-D-59	<u>INNER DOUBLE SHUTTER &amp; DRAFT BLADE ASSEMBLY (90 DEG)</u>
14	BD-26	Blade Draft (2)
15	BD-1083	Blade Shutter
16	SC-94	Screw Draft Blade Fastening (6)
17	J8-D-52	<u>OUTER DOUBLE SHUTTER BLADE &amp; HUB ASSEMBLY (90 DEG)</u>
	C2-D-49	ASSEMBLY (SHUTTER HUB)
18	BD-1082	Blade Shutter
19	SC-128	Screw Shutter Blade Fastening (5)
20	C2-D-49	<u>SINGLE SHUTTER HUB, ASSEMBLY (OUTER)</u>
21	HB-44	Hub Shutter (Outer)
22	SC-574	Screw Shutter Hub Clamp (2)
23	H1-D-54A	<u>DOUBLE SHUTTER SHAFT, B.B.'S &amp; BKT'S ASSEMBLY</u>
	C2-D-42	ASSEMBLY (DIRECT SHUTTER SHAFT, B.B.'S & BKT'S) (FRONT)
24	C2-D-55A	ASS'Y (DBL. SHTR. INTERMEDIATE, GRS., B.B.'S & BKT'S) (NEXT PAGE
25	CL-876	Collar Shutter Shaft B.B. Thrust (Rear)
26	GR-7	Gear Shutter Shaft (Steel)
27	RT-61	Retainer B.B. Thrust Washer
28	RT-602	Retainer Shutter Shaft (Steel)
29	SC-23	Screw B.B. Thrust Collar
30	SC-81	Screw Shutter Shaft, Steel Gear Fastening
32	ST-2371	Shaft Shutter (Direct)
33	WA-130	Washer B.B. Thrust (Neoprene)
34	WA-131	Washer B.B. Thrust (Steel)
35	C2-D-42	<u>SHUTTER SHAFT BKT &amp; B.B. ASSEMBLY</u>
36	BG-9	Bearing Ball
37	BR-186	Bracket Shutter Shaft (Front)
38	SC-127	Screw Ball Bearing Retaining (3)

"SEE NEXT PAGE"

CENTURY MODEL J-2 PROJECTOR



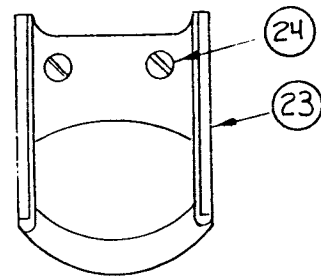
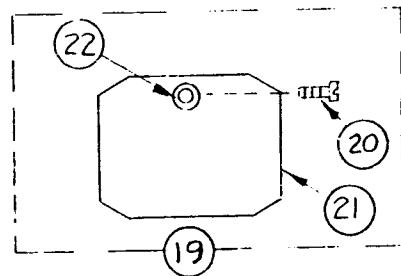
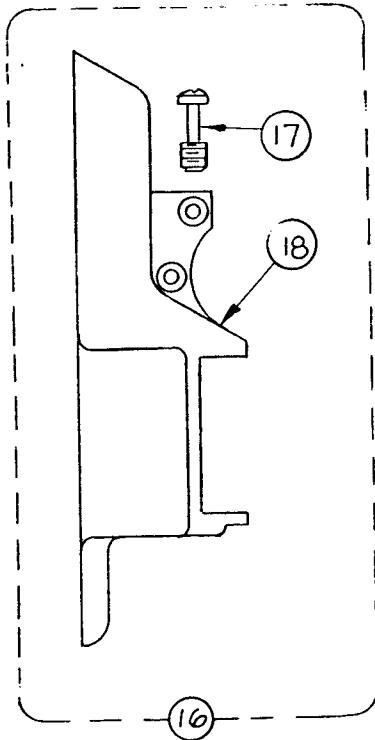
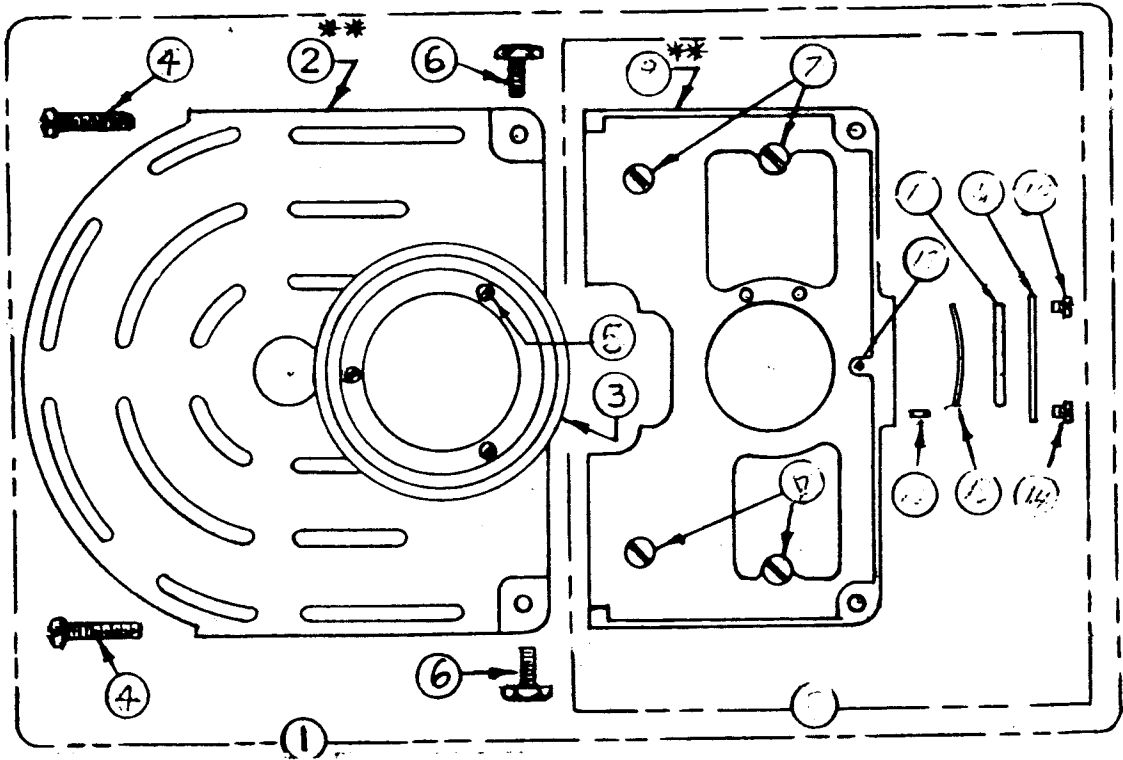
CENTURY MODEL "JJ-2" PROJECTOR

<u>Item</u>	<u>Part No.</u>	<u>Description</u>
①	C2-D-55A	<u>DOUBLE SHUTTER INTERMEDIATE BKT., GRS. &amp; BEARING ASS'Y</u>
	C1-D-39	ASSEMBLY (INTERMEDIATE SHUTTER SHAFT & BALL BEARING'S)
	C2-D-53B	ASSEMBLY (BEARING, BKT. & MATCHED GEAR)
②	BG-9	Bearing Intermediate Shutter Shaft
③	BR-16	Bracket Intermediate Shutter Shaft (Inner)
④	CL-35	Collar Intermediate Shutter Shaft (B.B. Thrust)
⑤	GR-7	Gear Intermediate Shutter Shaft (Steel)
⑥	GR-72	Gear Double Shutter Reverse (Resilient)
⑦	SC-81	Screw Intermediate Shutter Shaft Fastening
⑧	SC-89	Screw Intermediate Shutter Shaft Fast., Clr. & Gr. (2)
⑨	SC-112	Screw Intermediate Shutter Shaft Fast., B.B. Ret. (2)
⑩	SC-131	Screw Reverse Gear Collar & B.B. Retaining (3)
⑪	SG-86	Spring Intermediate Shutter Shaft Ball Thrust
⑫	WA-5	Washer Intermediate Shutter Shaft Thrust (Fiber)
⑬	WA-17	Washer Intermediate Shutter Shaft Thrust (Steel) (2)
⑭	WA-254	Washer Thrust
<u>ASSOCIATED PARTS</u>		
⑮	SC-137	Screw Double Shutter Intermediate Bracket Mounting (4)
⑯	C1-D-39	<u>INTERMEDIATE SHUTTER SHAFT &amp; B.B.S ASS'Y</u>
⑰	ST-765	Shaft Intermediate Shutter
⑱	BG-10	Bearing Ball (2)
⑲	C2-D-53B	<u>BEARING, BKT. &amp; MATCHED GEAR ASSEMBLY</u>
	C2-D-53A	ASSEMBLY (BEARING MATCHED GEAR)
⑳	BR-15	Bracket Ball Bearing
㉑	CL-747	Collar Inner Spacing
㉒	SC-127	Screw Ball Bearing Retaining (4)
㉓	SA-2043	Spacer Ball Bearing Retaining
㉔	SC-882	Screw Collar Fastening (2)
㉕	WA-9	Washer Thrust
㉖	C2-D-53A	<u>BEARING &amp; MATCHED GEAR ASSEMBLY</u>
㉗	BG-6	Bearing Ball (2)
㉘	*GR-13	Gear Steel

\* Not Sold Separately

JJ-2 and JJ-3 Projectors are available with single shutter shaft assemblies (JJ-2S and JJ-3S) see page 69

CENTURY MODEL N-2 PROJECTOR



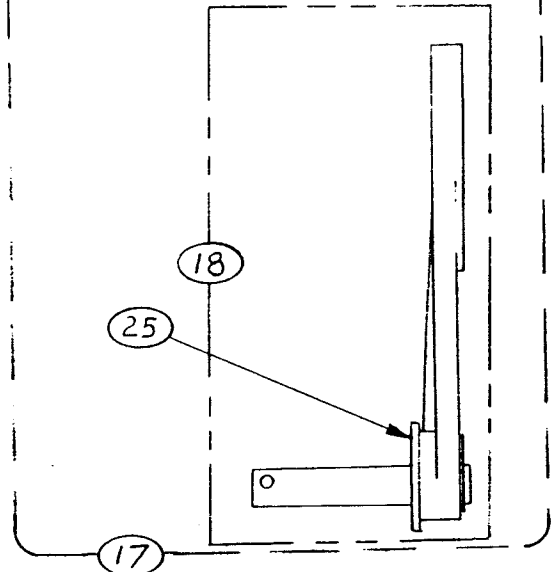
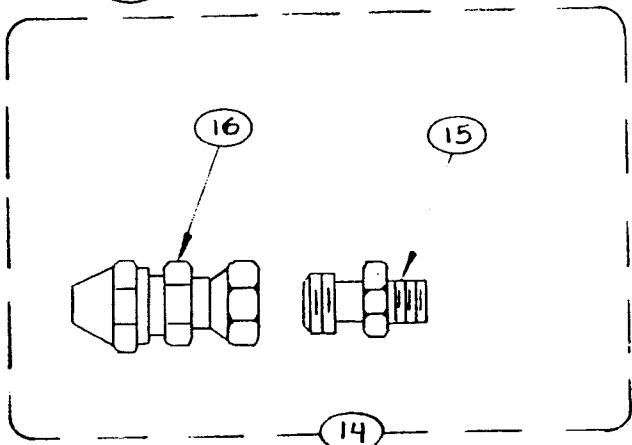
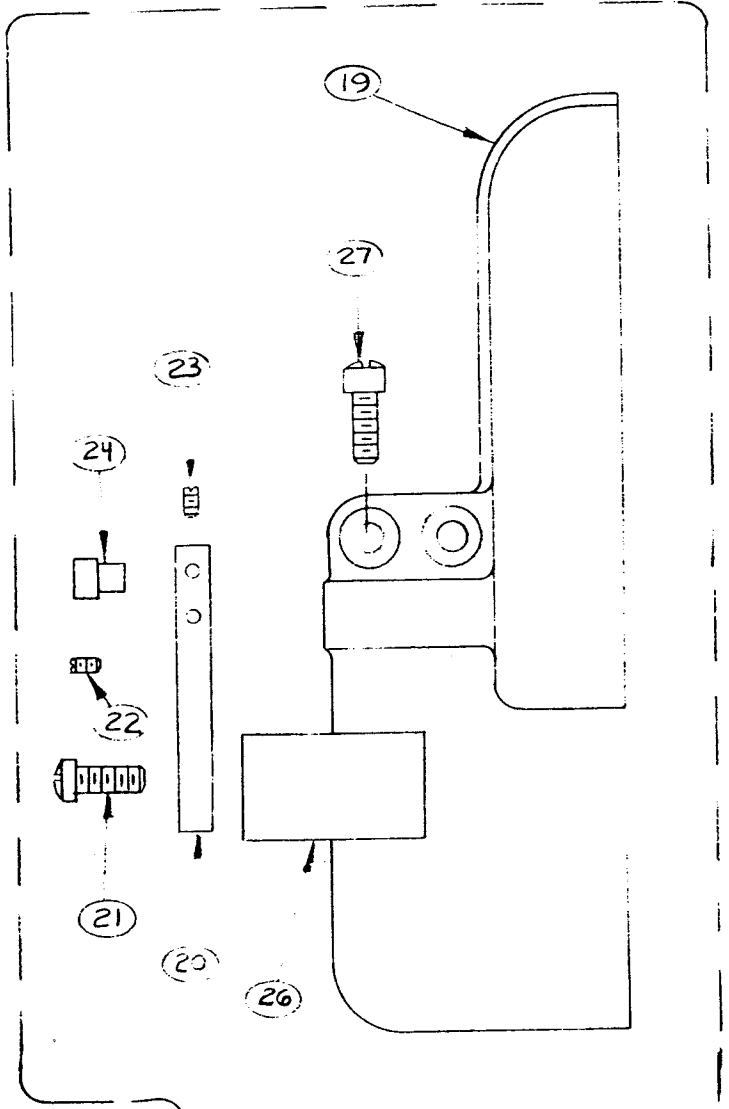
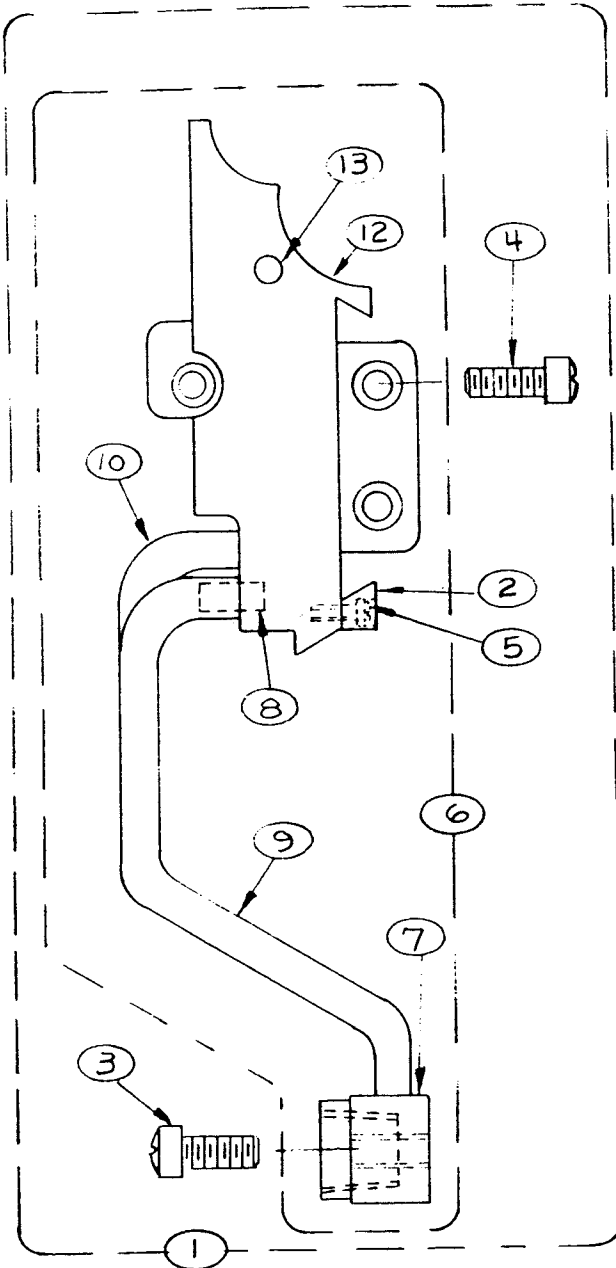
CENTURY MODEL "JJ-2" PROJECTOR

<u>Items</u>	<u>Part No.</u>	<u>Description</u>	
①	J1-D-46	<u>SHUTTER GUARD ASSEMBLY (COMPLETE)</u>	
	J1-D-43	<u>ASSEMBLY (FIXED SHUTTER GUARD)</u>	
②	**GD-185	Guard	Removable Shutter
③	HD-78	Hood	Light
④	SC-679	Screw	Removable Shutter Guard Ret. (2)
⑤	SC-1265	Screw	Light Hood Fastening(3)
⑥	SC-78	Screw	Removable Shtr. Gd. Fast. (Rear) (2)
<u>ASSOCIATED PARTS</u>			
⑦	SC-1109	Fixed Shutter Guard Mounting (4)	
⑧	J1-D-43	<u>FIXED SHUTTER GUARD ASSEMBLY</u>	
⑨	**GD-202	Guard	Fixed Shutter
⑩	GL-18	Glass	Spotsight
⑪	HO-5	Holder	Spotsight Glass Spring Stop
⑫	PN-26	Pin	Spotsight Glass Spring Stop
⑬	PN-647	Pin	Shutter Blade Setting
⑭	SC-92	Screw	Spotsight Glass Hldr. Retaining (4)
⑮	SG-44	Spring	Spotsight Pressure
⑯	F2-D-70	<u>LIGHT SHIELD ASSEMBLY</u>	
⑰	SC-51	Screw	Light Shield Mounting (2)
⑱	SD-1399	Shield	Light
⑲	J1-A-101	<u>CHANGE OVER SHUTTER AND STUD ASSEMBLY</u>	
⑳	SC-1447	Screw	Change Over Shutter Fastening
㉑	*SR-1474	Shutter	Changeover
㉒	*SU-1085	Stud	Changeover Shutter
<u>INDIVIDUAL PARTS</u>			
㉓	SD-1473	Shield	Heat (Aluminum)
㉔	SC-1145	Screw	Heat Shield Mounting (2)

\* Not Sold Separately

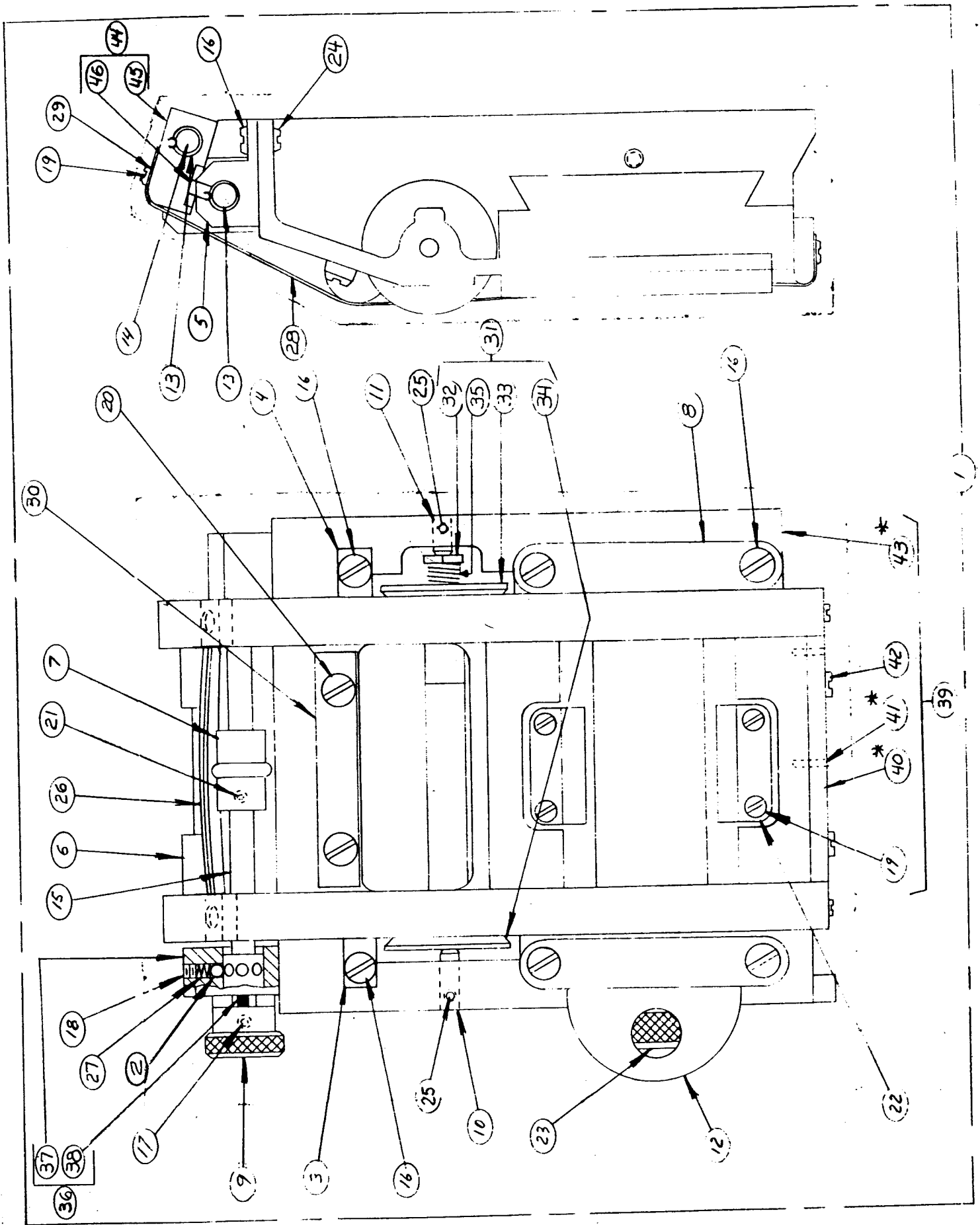
\*\* Recommend Ordering As "Matched Parts"

CENTURY MODEL JJ-2 PROJECTOR



CENTURY MODEL "JJ-2" PROJECTOR

<u>Item</u>	<u>Part No.</u>	<u>Description</u>
(1)	J2-A-80	<u>WATER JACKET &amp; GIB ASSEMBLY</u>
	J2-A-81	ASSEMBLY (WATER JACKET TUBES & BLOCK)
(2)	GI-199	Gib Water Jacket
(3)	SC-3	Screw Connection Block Fastening
(4)	SC-137	Screw Water Jacket Fastening (3)
(5)	SC-78	Screw Gib Fastening (3)
(6)	J2-A-81	<u>WATER JACKET, TUBES &amp; CONNECTION BLOCK ASS'Y</u>
	*J2-A-75	ASSEMBLY (JACKET, WATER COOLED, WITH PLUGS)
(7)	*BK-829	Block Connection
(8)	*SV-2212	Sleeve Brass
(9)	*TU-219	Tube Water (Front)
(10)	*TU-220	Tube Water (Rear)
(11)	*J2-A-75	<u>JACKET, COMBINED WITH PLUGS ASSEMBLY</u>
(12)	*JC-17	Jacket Water Cooled, Heat
(13)	*PG-908	Plug Water Jacket (4)
(14)	C1-T-154	<u>CONNECTOR, WATER HOSE (2)</u>
(15)	AD-51	Adapter Coupling To Projector
(16)	CG-134	Coupling To Water Hose
(17)	J2-D-60	<u>AUTOMATIC FIRE SHUTTER ASSEMBLY</u>
(18)	C1-D-64	<u>FIRE SHUTTER ARM &amp; SHAFT ASSEMBLY</u>
(19)	BG-17	Bearing Fire Shutter
(20)	CK-11	Crank Fire Shutter
(21)	SC-72	Screw Fire Shutter
(22)	SC-95	Screw Fire Shutter (2)
(23)	SC-97	Screw Fire Shutter
(24)	SU-26	Stud Fire Shutter
(25)	WA-241	Washer Fire Shutter
(26)	WT-182	Weight Fire Shutter
(27)	SC-137	<u>ASSOCIATED PARTS</u> Screw Fire Shutter (2)

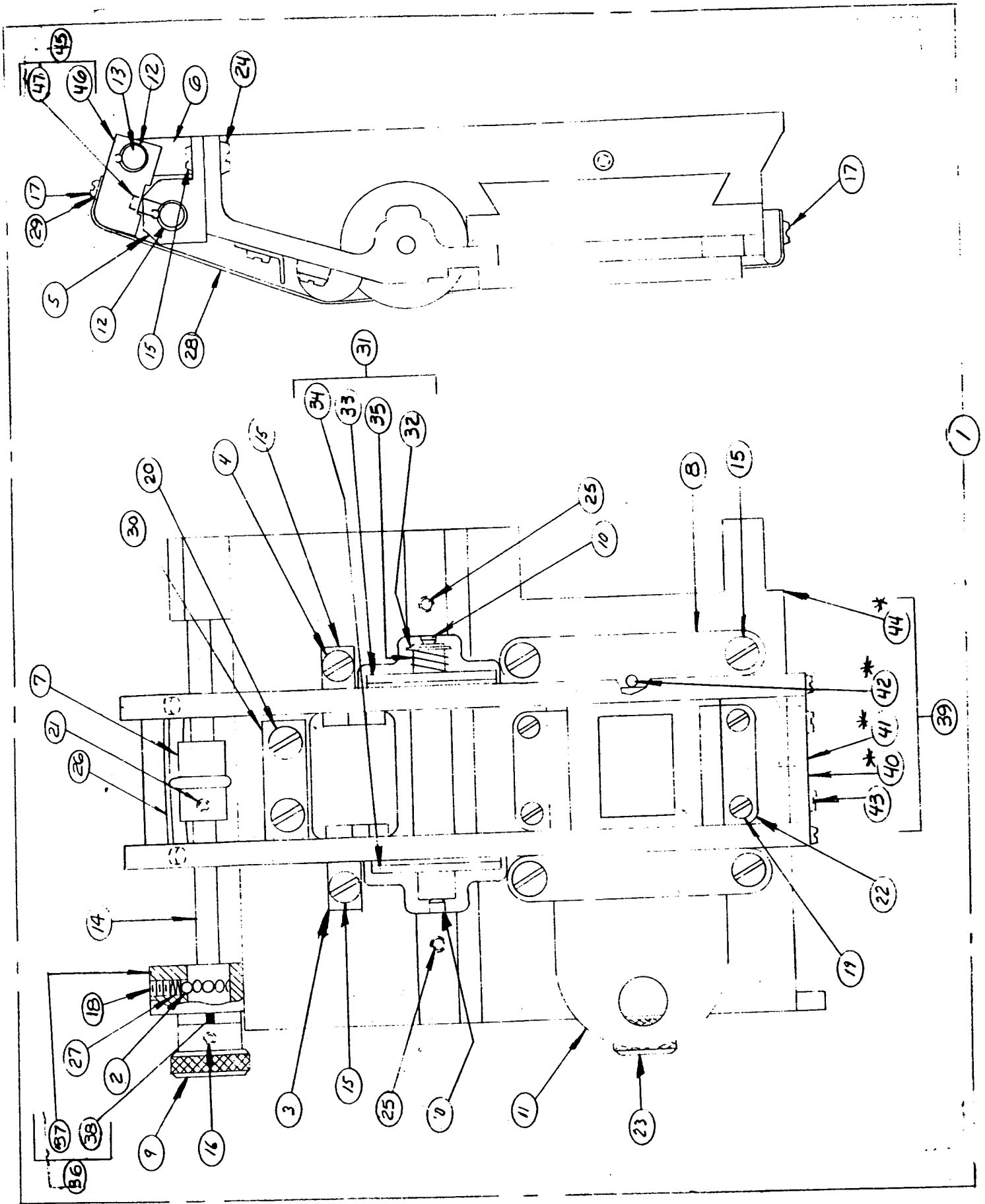




CENTURY MODEL "JJ-2" PROJECTOR

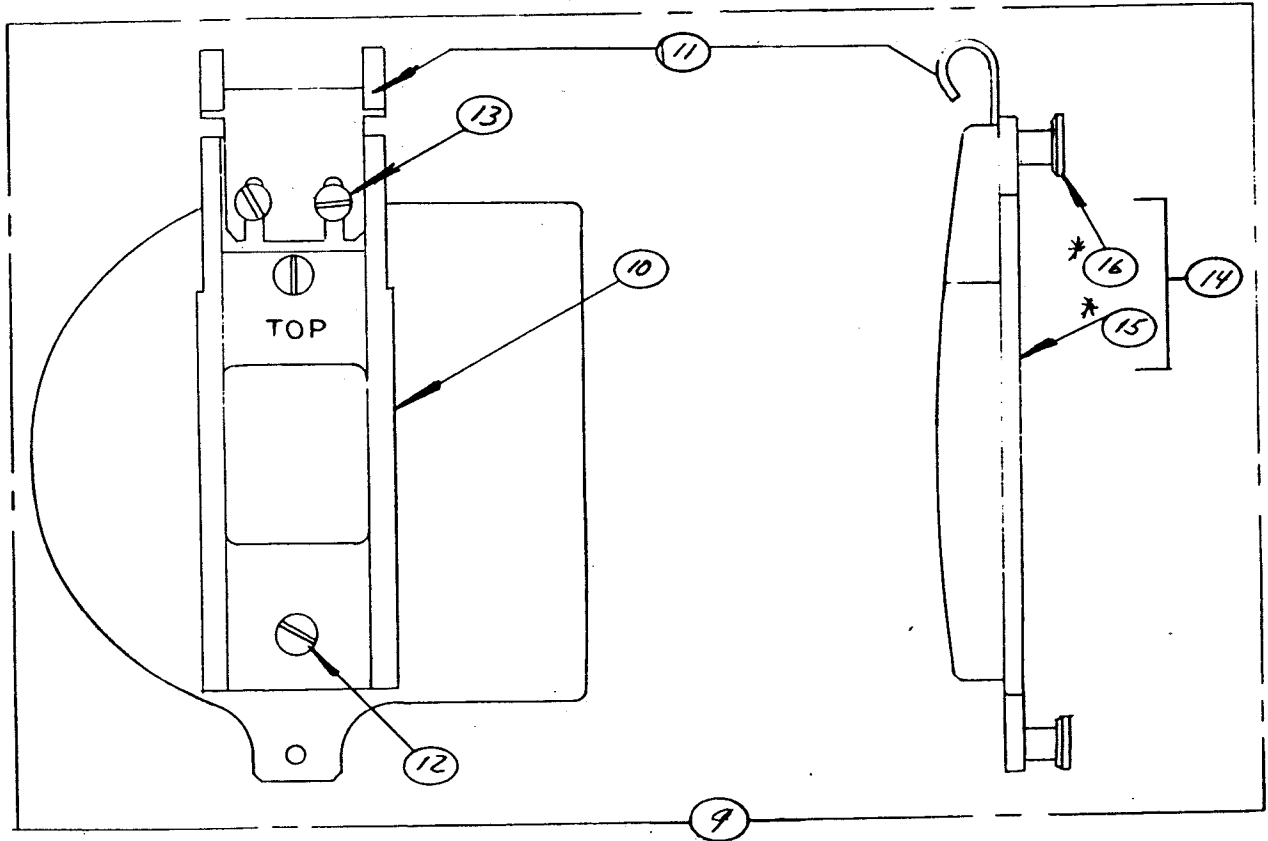
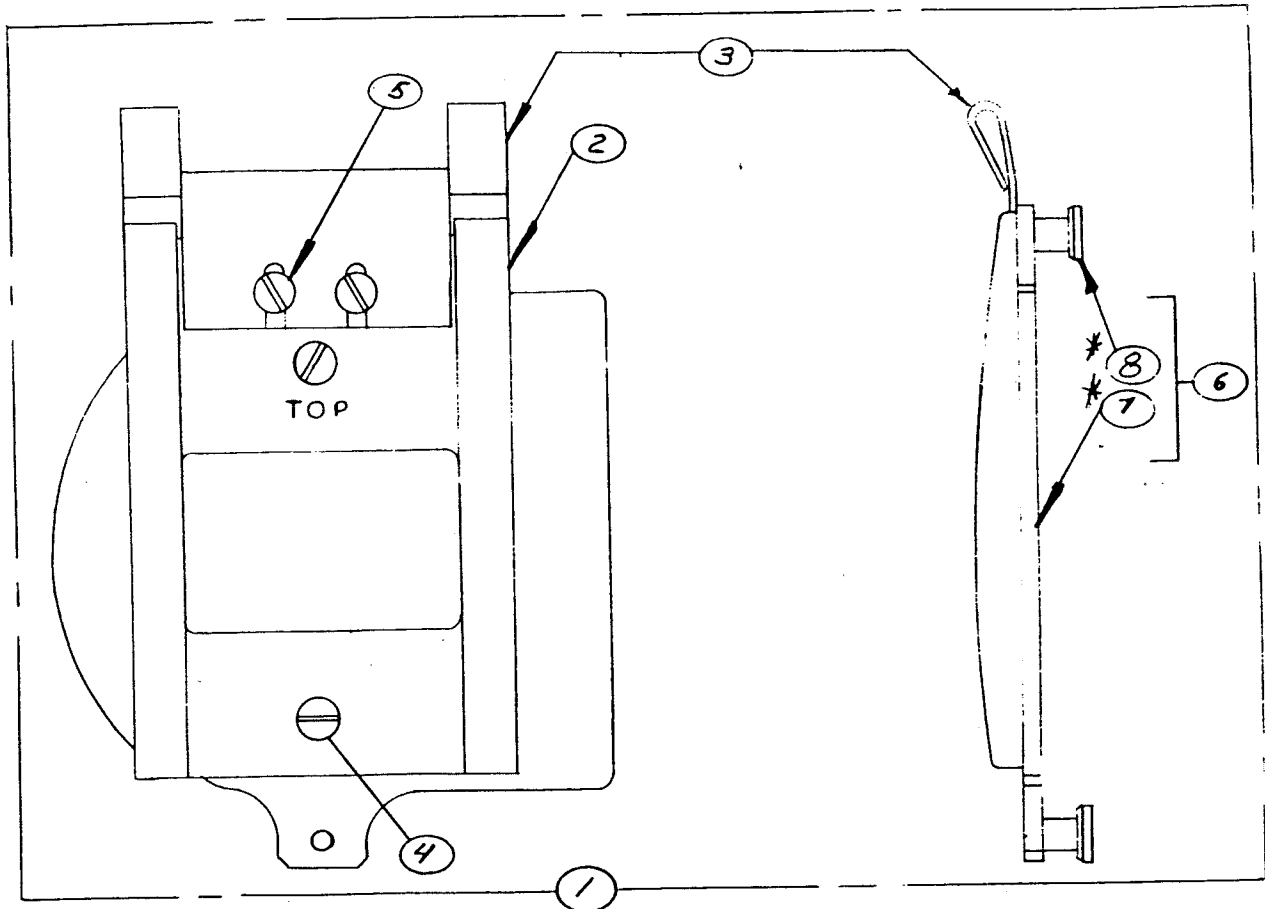
Item	Part No.	Description
		<u>70MM FILM TRAP ASSEMBLY</u>
①	J3-E-50	ASSEMBLY (LATERAL GUIDE ROLLER)
	J1-E-12	ASSEMBLY (CONTROL ROD FRONT BKT. & PIN)
	J1-E-51	ASSEMBLY (70MM FILM TRAP & SHOE RET. BLOCK)
	J3-E-52	ASSEMBLY (SPRING RETAINING BLOCK & PIN) (2)
	J3-E-54	Ball Retaining
②	BL-701	Bracket Trap Shoe (Front)
③	BR-945	Bracket Trap Shoe (Rear)
④	BR-946	Bracket Control Rod (Rear)
⑤	BR-923	Block Pivot Retaining
⑥	BK-925	Cam Eccentric
⑦	CM-697	Guide Studio (2)
⑧	GU-259	Knob Shoe Tension Adjusting
⑨	KN-69	Pivot Lateral Guide Roller (Front)
⑩	PT-33	Pivot Lateral Guide Roller (Rear)
⑪	PT-718	Plate Aperature (See Page 47)
⑫	PE-719	Ring Control & Support Rod Retaining (3)
⑬	RI-196	Rod Shoe Block Support
⑭	RD-273	Rod Control
⑮	RD-298	Screw Trap Shoe Bkts. Studio Guide. (10)
⑯	SC-54	Screw Knob Fastening
⑰	SC-1992	Screw Retaining Ball
⑱	SC-706	Screw Trap Shoe & Aperature Plt. Spring Fast. (8)
⑲	SC-1016	Screw Threading Shield Fastening (2)
⑳	SC-1254	Screw Cam Fastening
㉑	SC-1419	Spring Aperature Plate Retaining (2)
㉒	SG-1484	Screw Film Trap Retaining
㉓	SC-1487	Screw Pivot Retaining Block Fastening (2)
㉔	SC-1842	Screw Lat. Guide Roller Pivot Ret. (2)
㉕	SC-1857	Spring Trap Shoe Tension (2)
㉖	SG-1816	Spring Retaining Ball
㉗	SG-1817	Shoe Film Trap (70mm) (2)
㉘	SH-1861	Washer Trap Shoe Fastening, Screw Lock (4)
㉙	WA-244	Shield Threading Aperature
㉚	SD-1985	
		<u>LATERAL GUIDE ROLLER ASSEMBLY</u>
⑳	J1-E-12	Nut Lateral Guide Roller
㉑	NU-12	Roller Lateral Guide (Short) (Inner)
㉒	RO-231	Roller Lateral Guide (Long) (Outer)
㉓	RO-206	Spring Lateral Guide Roller, Pressure
㉔	SG-124	
		<u>CONTROL ROD FRONT BRACKET &amp; PIN ASSEMBLY</u>
㉕	J1-E-51	Bracket Control Rod (Front)
㉖	*BR-922	Pin Adjust Knob Stop
㉗	*PN-824	
		<u>70MM FILM TRAP &amp; SHOE RETAINING BLOCK ASS'Y</u>
㉘	J3-E-52	Block Shoe Retaining (Lower)
㉙	*BK-864	Pin Shoe Retaining Block (2)
㉚	*PN-280	Screw Shoe Retaining Block Fast. (2)
㉛	SC-54	Trap 70mm Film
㉜	*TP-179	
		<u>SPRING RETAINING BLOCK &amp; PIN ASS'Y (70MM) (2)</u>
㉝	J3-E-54	Block Spring Retaining
㉞	*BK-1275	Pin Spring Retaining
㉟	*PN-963	

\* Not Sold Separately



CENTURY MODEL "JJ-2" PROJECTOR

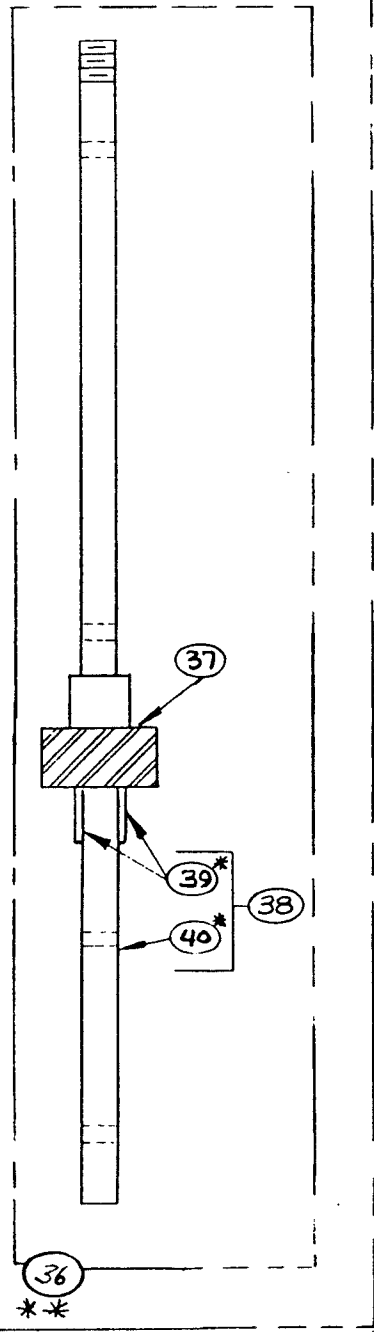
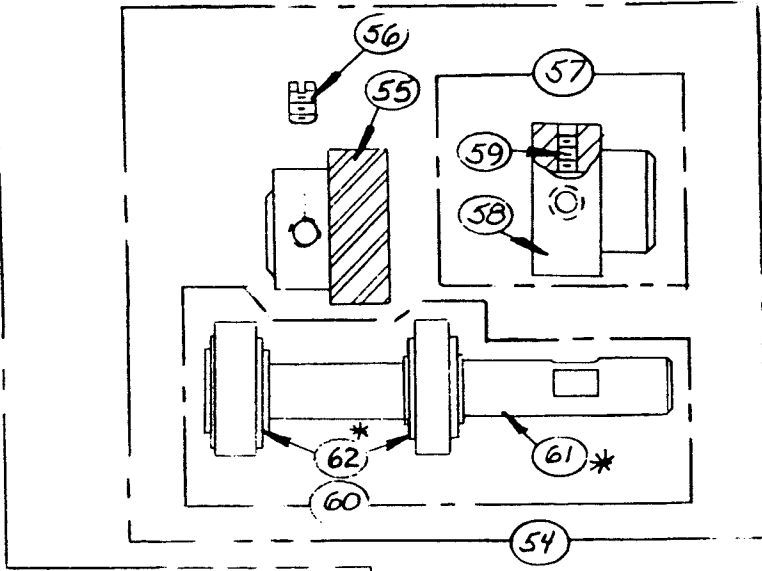
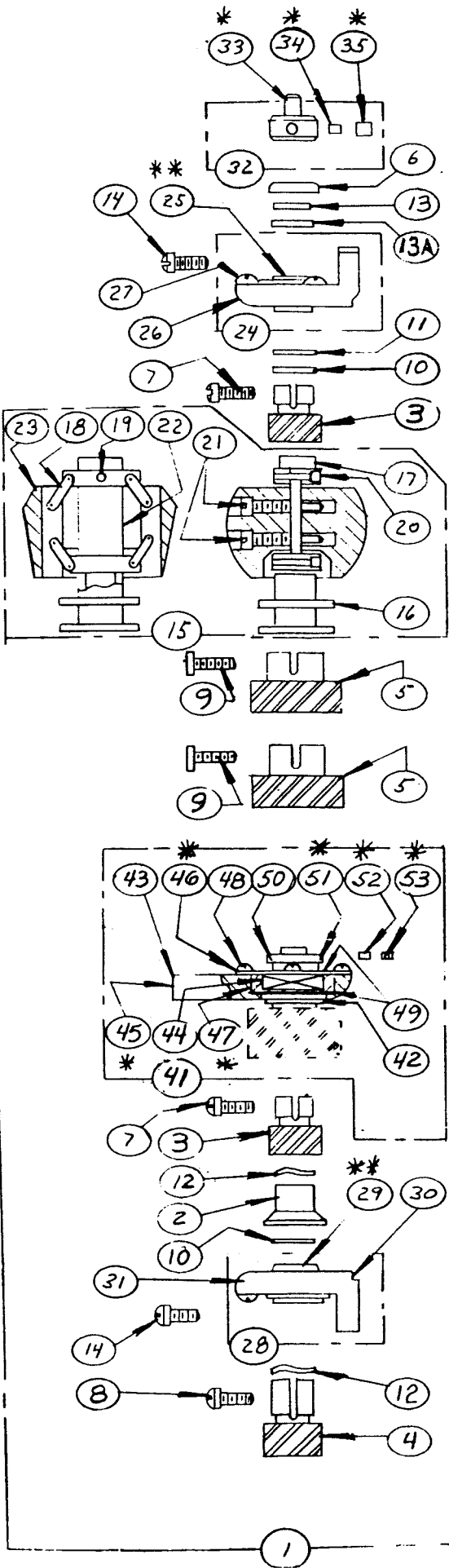
<u>Item</u>	<u>Part No.</u>	<u>Description</u>
①	J4-E-50	<u>35MM FILM TRAP ASSEMBLY</u>
	A1-E-12	ASSEMBLY (LATERAL GUIDE ROLLER)
	J1-E-51	ASSEMBLY (CONTROL ROD FRONT BRACKET & PIN)
	J4-E-52	ASSEMBLY (35MM FILM TRAP & SHOE RETAINING BLK.)
	J4-E-53	ASSEMBLY (SPRING RETAINING BLOCK & PIN) (2)
②	BL-701	Ball Retaining
③	BR-943	Bracket Trap Shoe (Front)
④	BR-944	Bracket Trap Shoe (Rear)
⑤	BR-923	Bracket Control Rod (Rear)
⑥	BK-926	Block Pivot Retaining
⑦	CM-697	Cam Eccentric
⑧	GU-259	Guide Studio (2)
⑨	KN-69	Knob Shoe Tension Adjusting
⑩	PT-33	Pivot Lateral Guide Roller (2)
⑪	PE-518-E4	Plate Aperature (See Page 47)
⑫	RI-196	Ring Control & Support Rod Retaining (3)
⑬	RD-297	Rod Shoe Block Support
⑭	RD-298	Rod Control
⑮	SC-54	Screw Trap Shoe Bkt & Studio Guide(10)
⑯	SC-1992	Screw Knob Fastening
⑰	SC-674	Screw Trap Shoe Fastening (4)
⑱	SC-706	Screw Ball Retaining
⑲	SC-1016	Screw Apt. Plate Ret. Spring Fast (4)
⑳	SC-1254	Screw Threading Shield Fastening (2)
㉑	SC-1419	Screw Cam Fastening
㉒	SG-1484	Spring Aperature Plate Fastening (2)
㉓	SC-1487	Screw Film Trap Retaining
㉔	SC-1842	Screw Pivot Retaining Block Fastening (2)
㉕	SC-1857	Screw Lat. Guide Roller Pvt. Ret. (2)
㉖	SG-2003	Spring 35mm Film Trap Tension
㉗	SG-1817	Spring Ball Retaining
㉘	SH-1862	Shoe 35mm Film Trap (2)
㉙	WA-245	Washer Trap Shoe Fastening Shoe Lock (4)
㉚	SD-1986	Shield Threading Aperature (2)
③①	A1-E-12	<u>LATERAL GUIDE ROLLER ASSEMBLY</u>
③②	RI-79	Ring Pressure Spring Retaining
③③	RO-283	Roller Inner Lateral Guide
③④	RO-284	Roller Outer Lateral Guide
③⑤	SG-124	Spring Lateral Guide Roller Pressure
③⑥	J1-E-51	<u>CONTROL ROD FRONT BRACKET &amp; PIN ASSEMBLY</u>
③⑦	*BR-922	Bracket Control Rod (Front)
③⑧	PN-824	Pin Adjust. Knob Stop
③⑨	J4-E-52	<u>35MM FILM TRAP &amp; SHOE RETAINING BLOCK ASS'Y</u>
④①	*BK-929	Block Shoe Retaining (Lower)
④②	*PN-280	Pin Shoe Retaining Block (2)
④③	*PN-519	Pin Aperature Plate Stop
④④	SC-1763	Screw Shoe Retaining Block Fastening (2)
④⑤	*TP-180	Trap 35mm Film
④⑥	J4-E-53	<u>SPRING RETAINING BLOCK &amp; PIN ASSEMBLY (2)</u>
④⑦	*BK-927	Block Spring Retaining
④⑧	*PN-963	Pin Spring Retaining
		* Not Sold Separately



CENTURY MODEL "JJ-2" PROJECTOR

<u>Item</u>	<u>Part No.</u>	<u>Description</u>
①	J8-E-40	<u>70MM FILM GATE ASSEMBLY</u>
	J4-E-41	ASSEMBLY (70MM FILM GATE PLATE & STUDS)
②	PA-872	Pad 70mm Film Gate
③	PE-1190	Plate 70mm Film Stabilizer
④	SC-114	Screw Film Gate Pad Fastening (2)
⑤	SC-865	Screw Film Stabilizer Plate Fast. (2)
⑥	J4-E-41	<u>70MM FILM PLATE &amp; STUD ASSEMBLY</u>
⑦	*PE-869	Plate 70mm Film Gate
⑧	*SU-1214	Stud Film Gate Plate Locating (2)
⑨	J7-E-40	<u>35MM FILM GATE ASSEMBLY</u>
	J5-E-41	ASSEMBLY (35MM FILM GATE PLATE & STUD)
⑩	PA-873	Pad 35mm Film Gate
⑪	PE-896	Plate 35mm Film Stabilizer
⑫	SC-114	Screw Film Gate Pad Fastening (2)
⑬	SC-865	Screw Film Gate Stabilizer Plate Fast. (2)
⑭	J5-E-41	<u>35MM FILM GATE PLATE &amp; STUD ASSEMBLY</u>
⑮	*PE-870	Plate 35mm Film Gate
⑯	*SU-1214	Stud Film Gate Plate Locating (2)

\* These Parts Not Sold Separately



Item Pa

① J2

- ②
- ③
- ④
- ⑤
- ⑥
- ⑦
- ⑧
- ⑨
- ⑩
- ⑪
- ⑫
- ⑬

13A

⑭

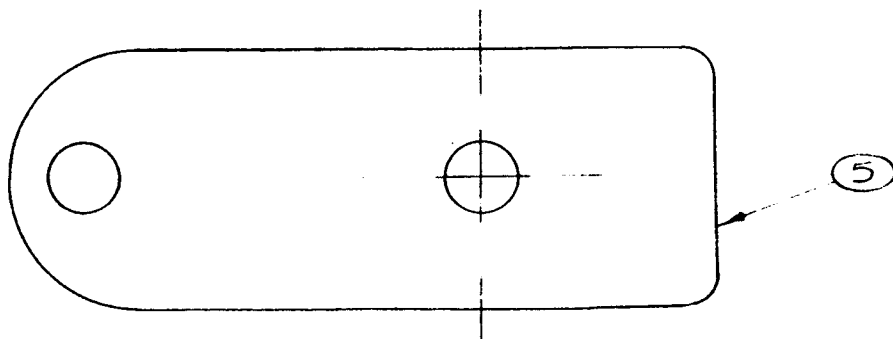
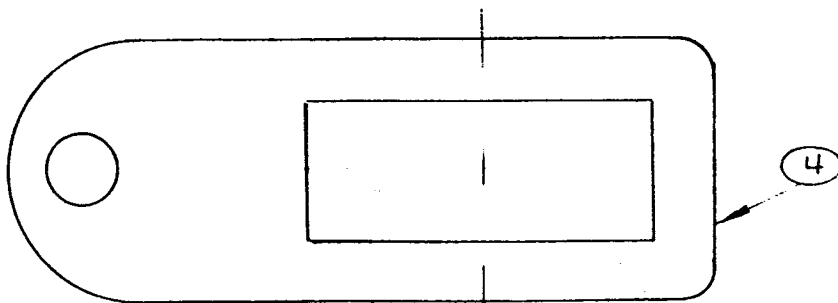
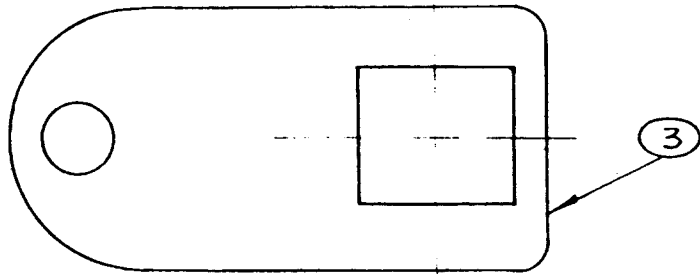
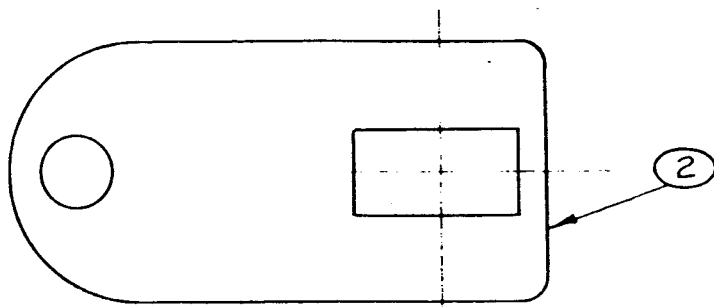
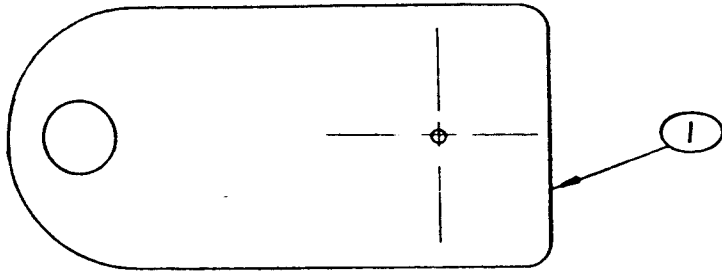
- ⑮ J1
- ⑯
- ⑰
- ⑱
- ⑲
- ⑳
- ㉑
- ㉒
- ㉓

- ⑳ C1
- ㉔ \*\*
- ㉕
- ㉖
- ㉗

- ㉘ V1
- ㉙ \*\*
- ㉚
- ㉛

- ㉜ F2
- ㉝
- ㉞
- ㉟
- ㊀

CENTURY MODEL JJ-2 PROJECTOR





CENTURY MODEL "JJ-2" PROJECTOR

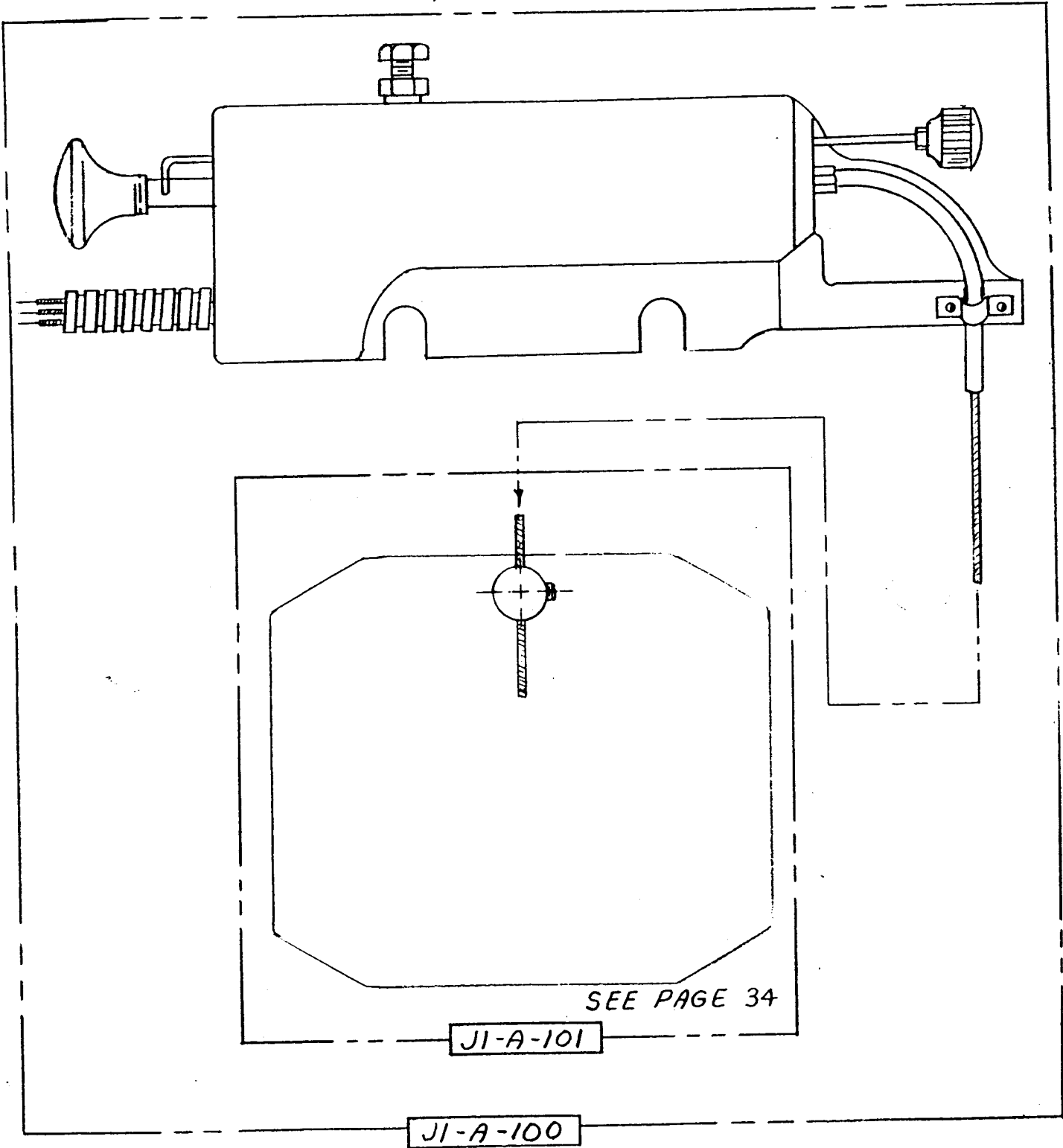
AVAILABLE 35MM APERTURE PLATES \*

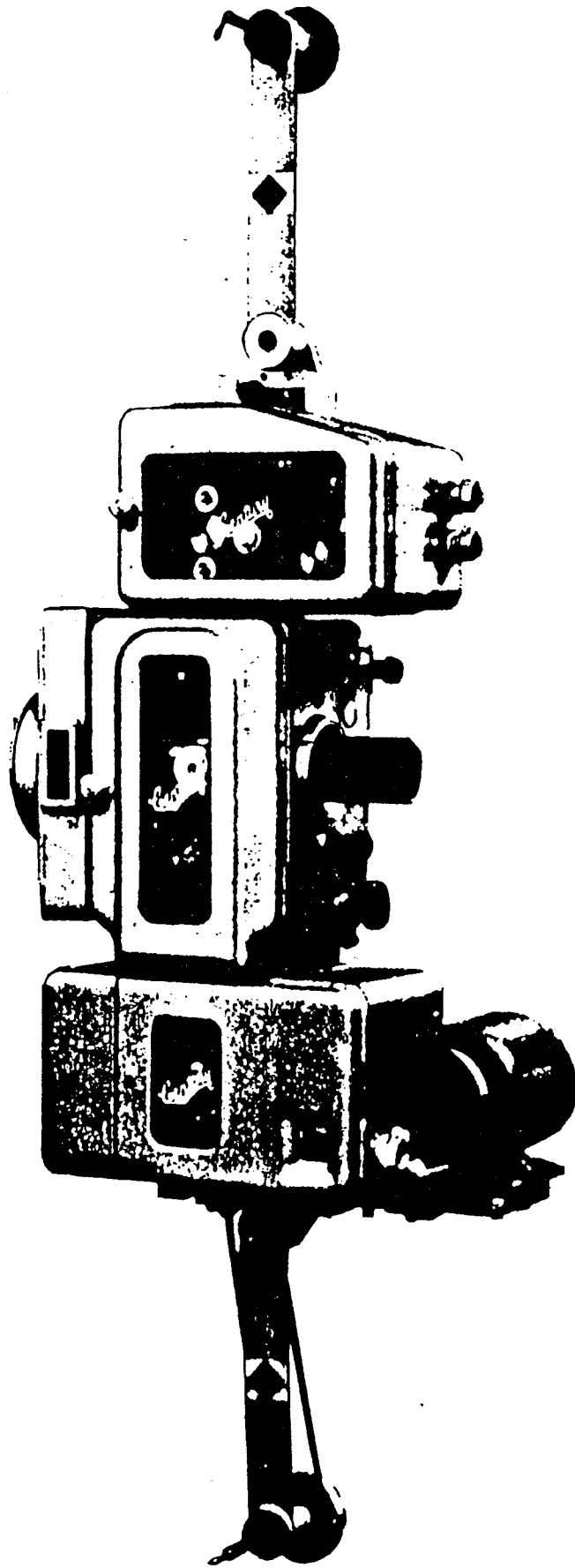
<u>TYPE</u>	<u>Part No.</u>	<u>Aspect Ratio</u>	<u>Opening Size</u>
-	PE-518-E	1.375 : 1 Standard	.600 X .825
-	PE-518-E-1	Blank	No Opening
①	PE-518-E-2	Pin Hole	Pin Hole
②	PE-518-E-3	2 : 1 (Wide Screen)	.412 X .825
②	PE-518-E-4	1.85 : 1 Standard	.445 X .825
②	PE-518-E-5	1.75 : 1 Standard	.470 X .825
②	PE-518-E-6	1.66 : 1 Standard	.495 X .825
②	PE-518-E-7	1.375 : 1 Undersize	.581 X .703
②	PE-518-E-8	1.85 : 1 / 1.75 : 1 Undersize	.420 X .800
②	PE-518-E-9	1.66 : 1 Undersize	.477 X .800
③	PE-518-E-12	Cinemascope 2.35 : 1	.715 X .825
③	PE-518-E-13	Cinemascope 2.35 : 1 Under.	.675 X .800
③	PE-518-E-14	Cinemascope 2 : 1	.715 X .715
③	PE-518-E-15	Cinemascope 2 : 1 Undersize	.650 X .650

AVAILABLE 70MM APERTURE PLATES

④	PE-719		.865 X 1.910
-	PE-719-1	Blank	No Opening
④	PE-719-2	Undersize	.660 X 1.850
④	PE-719-3	2.21 : 1 Undersize	.760 X 1.850
-	PE-719-4	Blank With .040" Hole	.040 Hole
⑤	PE-719-5	Blank With 3/8" Hole	.375 Hole

\* Uses Same Aperture Plates As 35mm Projectors (PE-518-E Series)





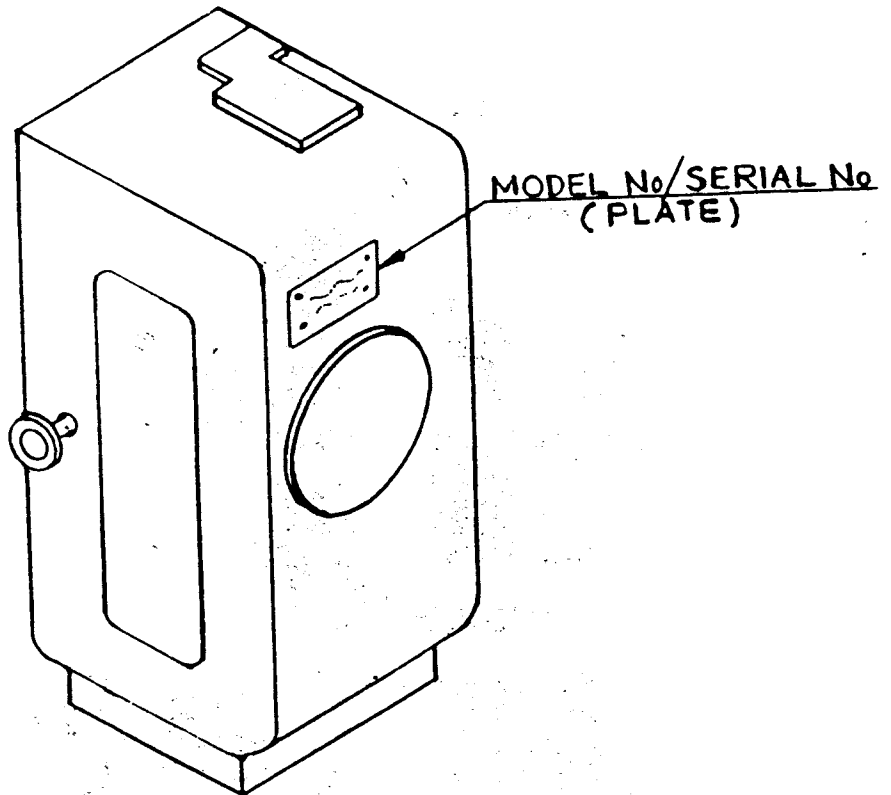
*Century*

MODEL JJ-3  
CINE - FOCUS  
70-35 MM  
PROJECTOR

INCLUDES HEAT FILTER  
and AIR BLOWER.

CENTURY PROJECTOR CORPORATION

WHEN ORDERING PARTS  
INCLUDE:  
MODEL No  
SERIAL No  
PART No

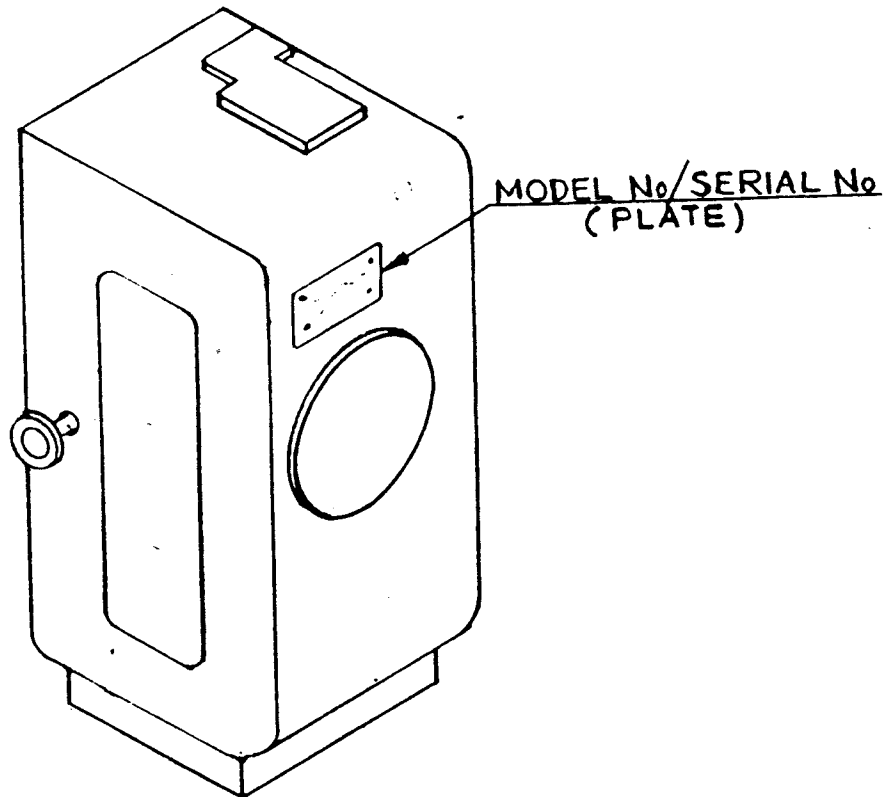


CENTURY MODEL "JJ-3" PROJECTOR  
70-35MM CINE-FOCUS, DOUBLE SHUTTER, WATER COOLED PROJECTOR

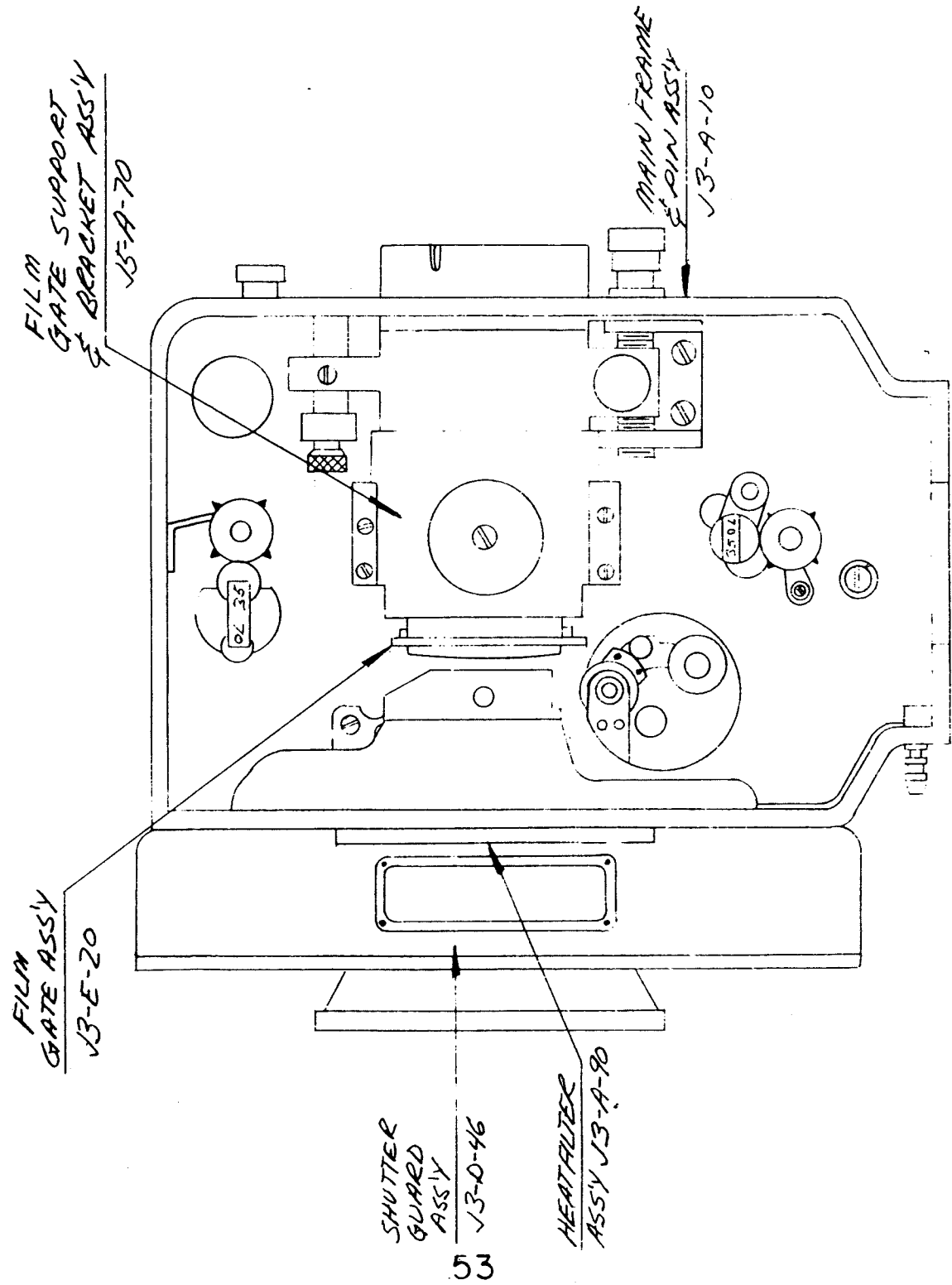
ALL PARTS ARE THE SAME AS MODEL "JJ-2"  
EXCEPT AS INDICATED IN ASSEMBLIES BELOW

J3-A-10	MAIN FRAME & PIN ASSEMBLY
J3-A-90	HEAT FILTER ASSEMBLY
J3-E-20	35MM FILM GATE ASSEMBLY
J3-E-30	70MM FILM GATE ASSEMBLY
J5-A-70	GATE MOUNT ASSEMBLY
N2-T-103A	AIR PUMP ASSEMBLY
J3-D-46	SHUTTER GUARD ASSEMBLY
DC-98	DECAL, CINEFOCUS
SP-1949	STRIP, LENS MOUNT (RUBBER)

WHEN ORDERING PARTS  
INCLUDE:  
MODEL No  
SERIAL No  
PART No

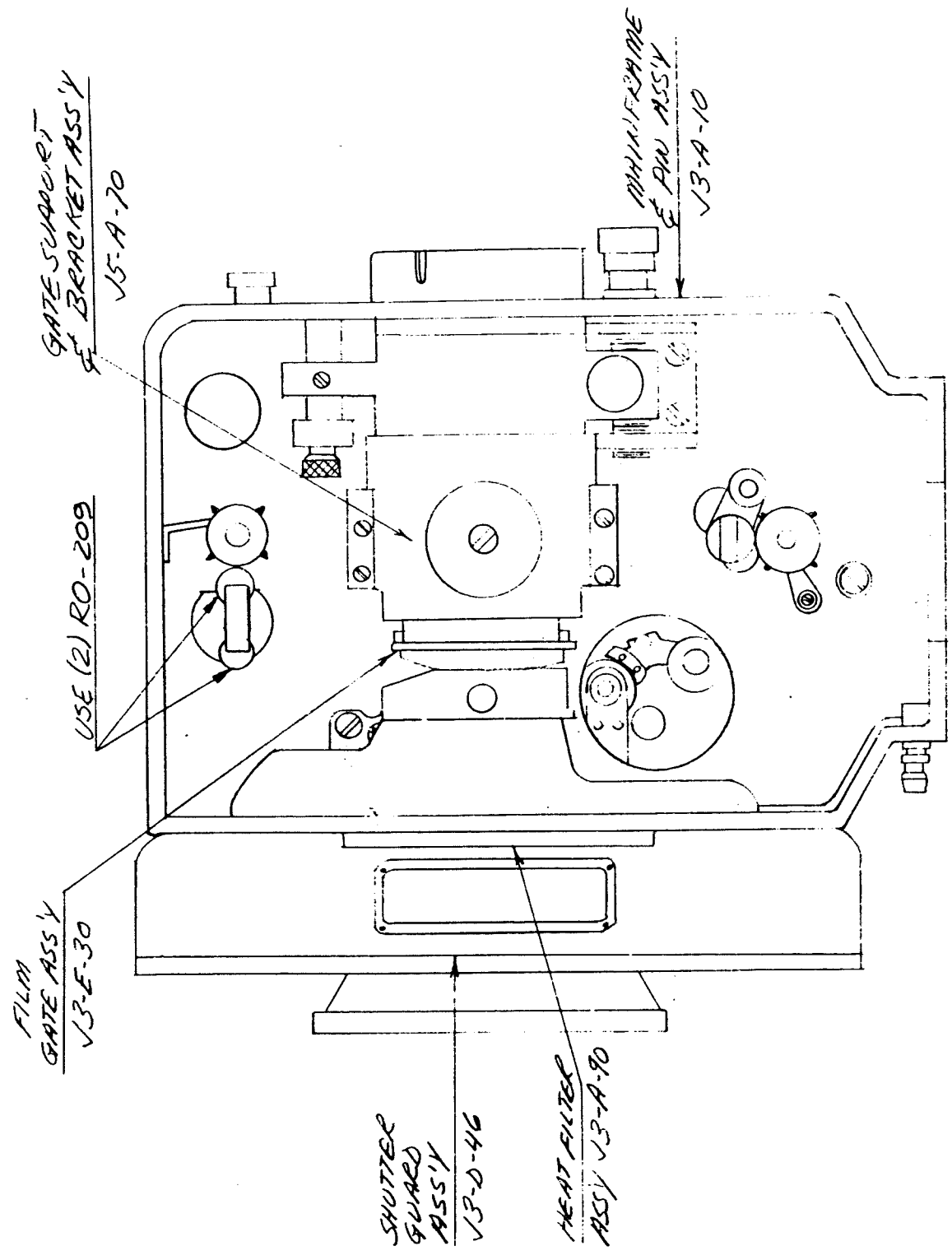


CENTURY MODEL J1-3 PROJECTOR  
35mm SET UP



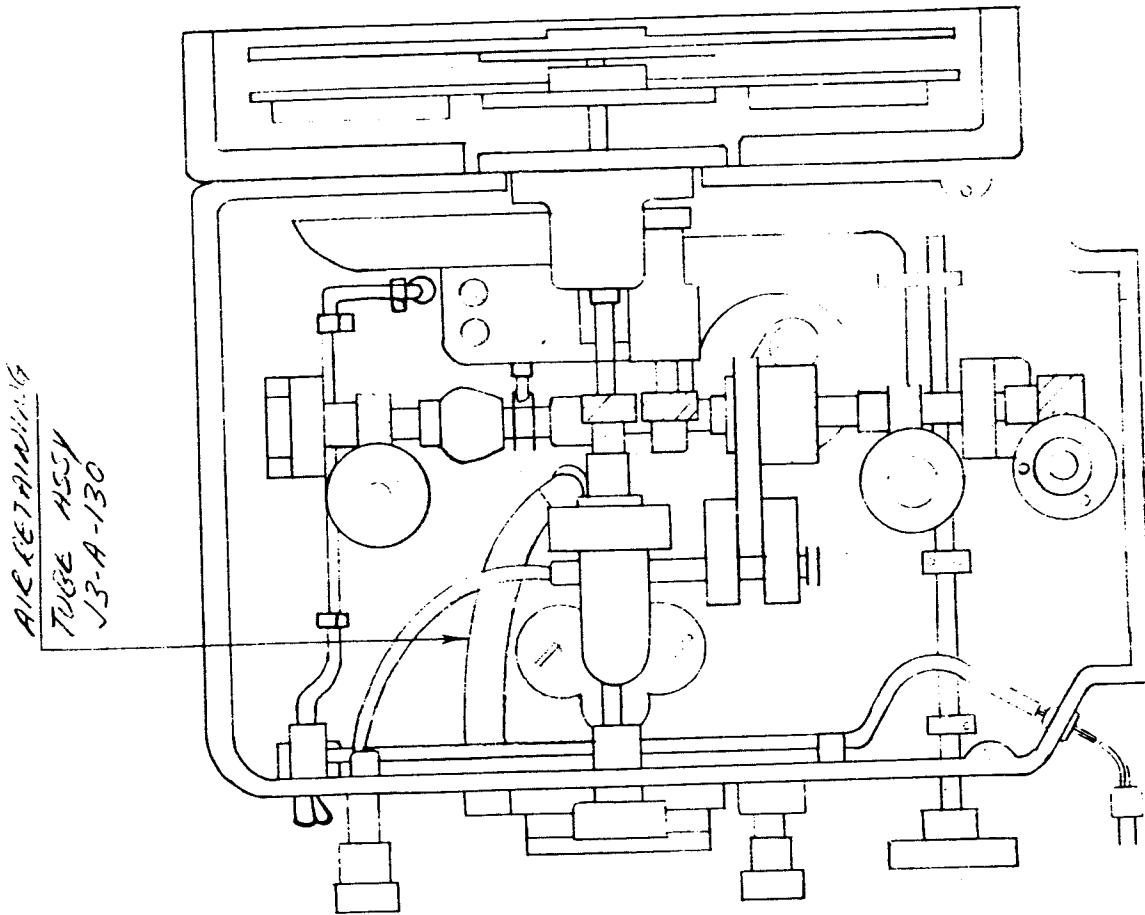
CENTURY MODEL JJ-3 PROJECTOR

70MM SET UP

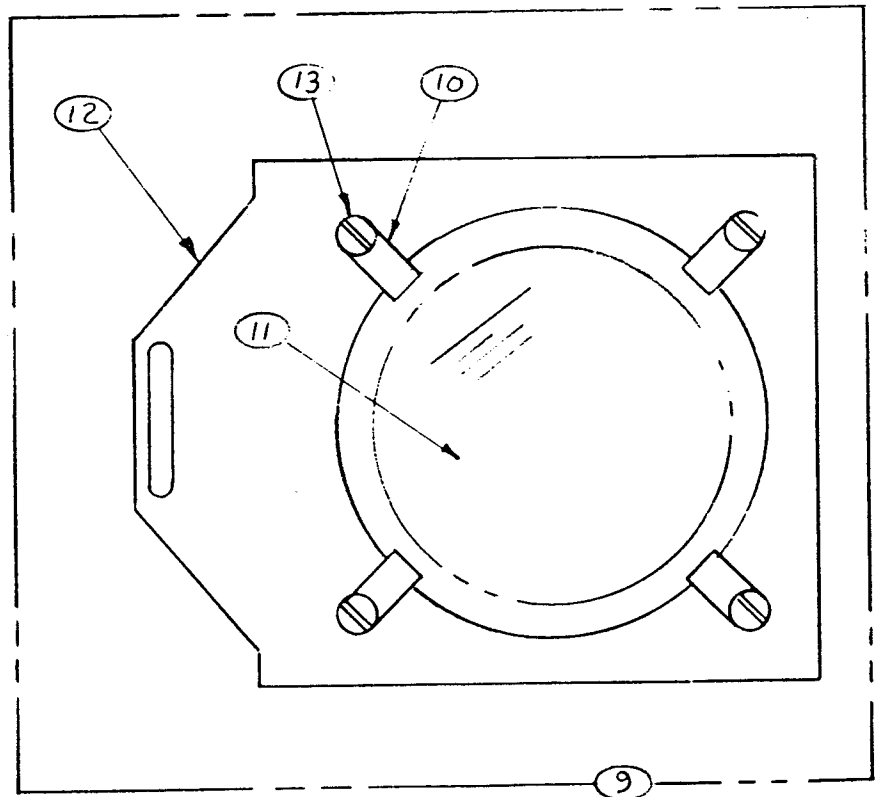
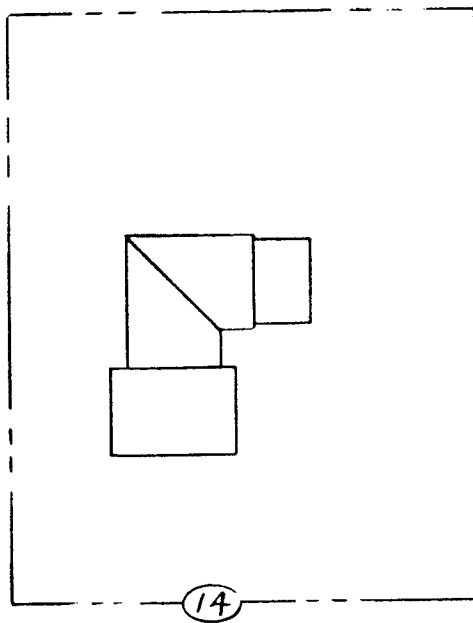
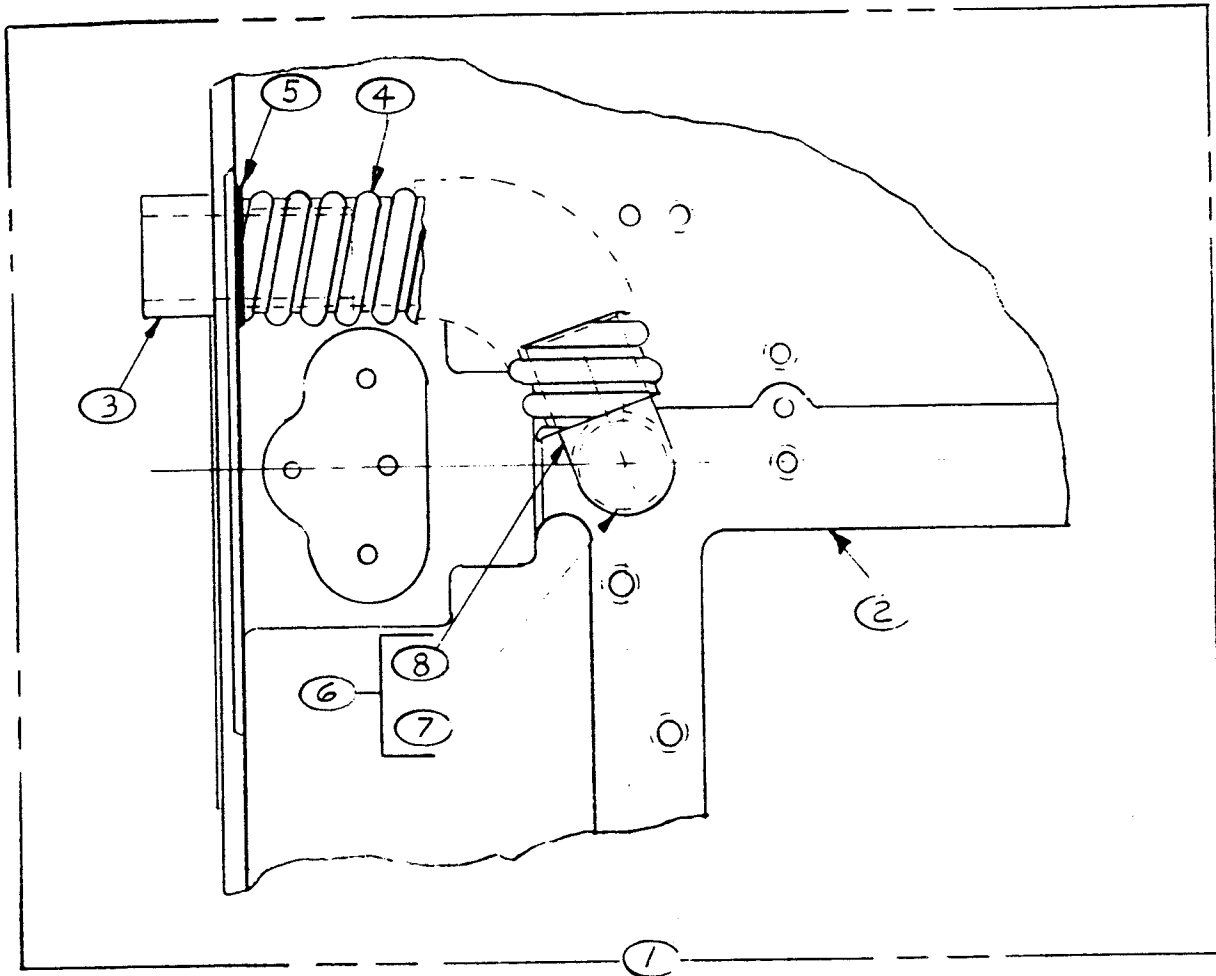




CENTURY MODEL V-3 PROJECTOR  
"DRIVE SIDE"



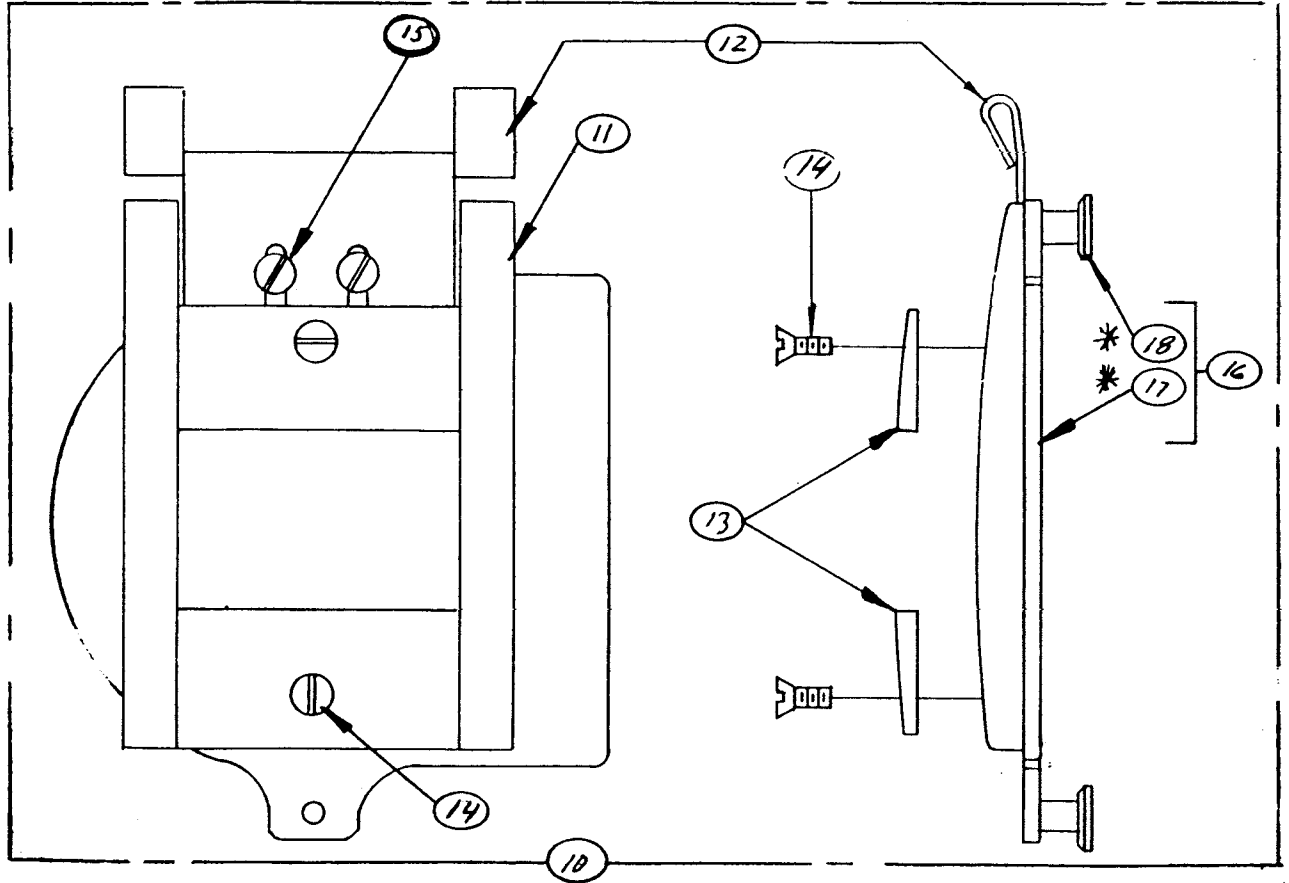
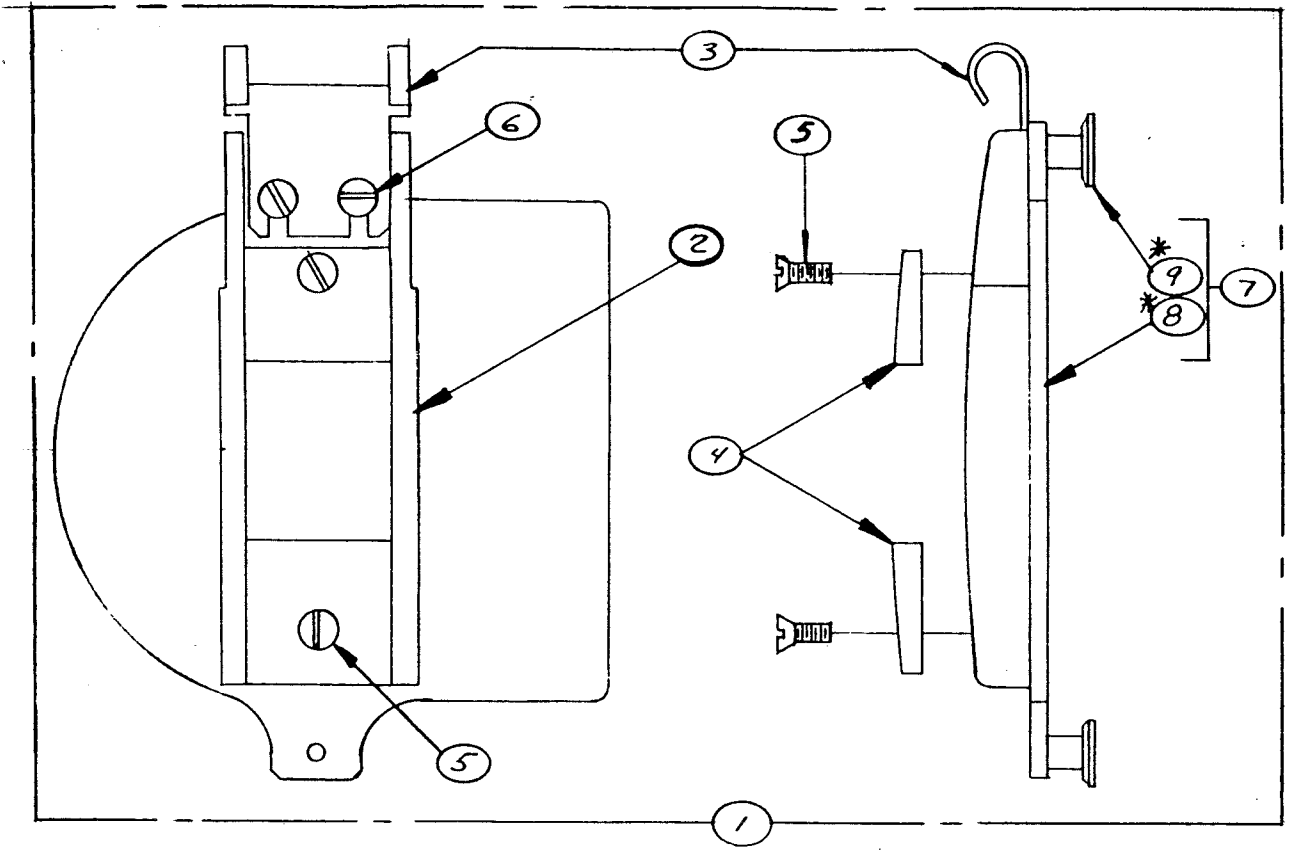
CENTURY MODEL JJ-3 PROJECTOR



CENTURY MODEL "JJ-3" PROJECTOR

<u>Items</u>	<u>Part No.</u>	<u>Description</u>	
①	J3-A-10	<u>FRAME, PIN &amp; MISC. PARTS ASSEMBLY</u>	
②	J1-A-10	ASSEMBLY (MAIN FRAME & PIN) (SEE PAGE 9)	
	J3-A-130	ASSEMBLY (AIR RETAINING TUBE)	
③	CN-733	Connector	Hose
④	HE-114	Hose	Air
⑤	RI-521	Ring	Hose Connector, Retainer
⑥	J3-A-130	<u>AIR RETAINING TUBE ASSEMBLY</u>	
⑦	TU-214	Tubing	Brass
⑧	TU-215	Tubing	Brass
⑨	J3-A-90	<u>HEAT FILTER ASSEMBLY</u>	
⑩	CP-734	Clamp	Filter Retaining (4)
⑪	FI-135	Filter	Heat
⑫	HO-113	Holder	Filter
⑬	SC-1016	Screw	Clamp Fastening (4)
⑭	When using lens changer equipment, J3-A-140 must be used in place of CN-733.		

CENTURY MODEL JJ-3 PROJECTOR

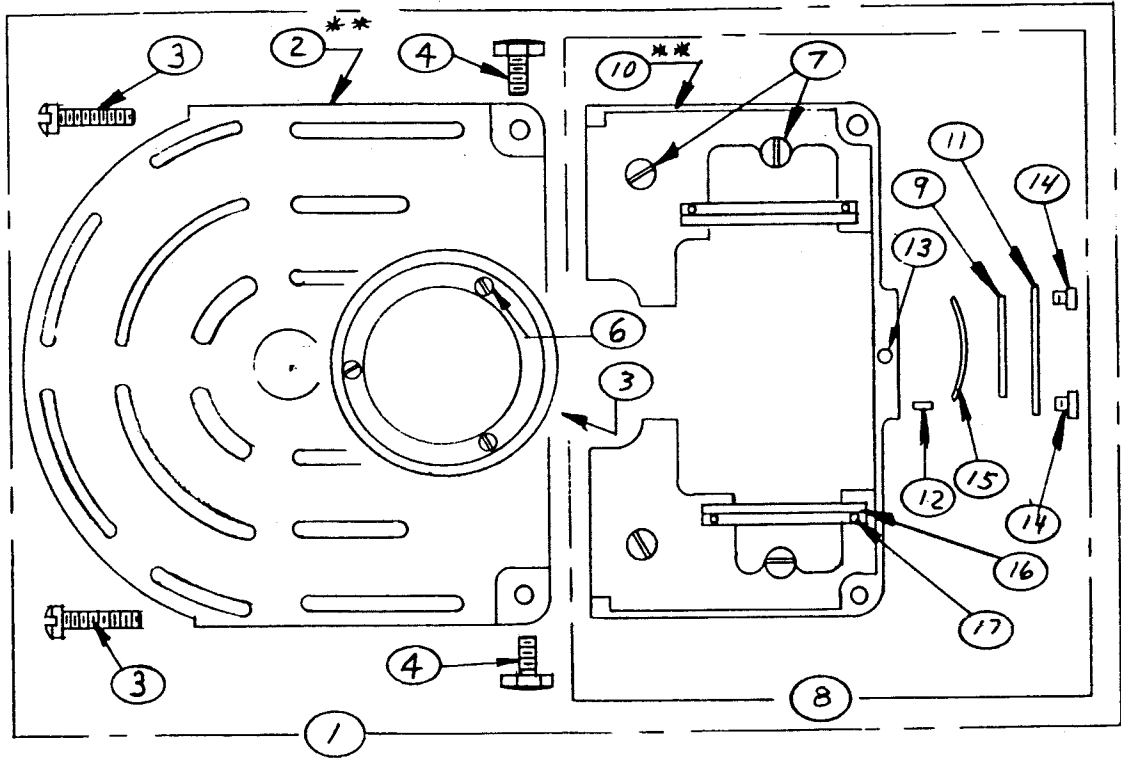


CENTURY MODEL "JJ-3" PROJECTOR

<u>Item</u>	<u>Part No.</u>	<u>Description</u>
①	J3-E-20	<u>35MM FILM GATE ASSEMBLY</u>
	J5-E-41	ASSEMBLY (35MM FILM GATE PLATE & STUDS)
②	PA-873	35mm Film Gate
③	PE-896	Plate 35mm Film Stabilizer
④	SA-1963	Spacer Film Gate Pad (2)
⑤	SC-1977	Screw Spacer Fastening (2)
⑥	SC-865	Screw Film Stabilizer Plate Fast. (2)
⑦	J5-E-41	<u>35MM FILM GATE PLATE &amp; STUD ASSEMBLY</u>
⑧	*PE-870	Plate 35mm Film Gate
⑨	*SU-1214	Stud Film Gate Plate Locating (2)
⑩	J3-E-30	<u>70MM FILM GATE ASSEMBLY</u>
	J4-E-41	ASSEMBLY (70MM FILM GATE PLATE & STUD)
⑪	PA-872	Pad 70mm Film Gate
⑫	PE-1190	Plate 70mm Film Stabilizer
⑬	SA-1950	Spacer Film Gate Pad (2)
⑭	SC-1956	Screw Spacer Fastening (2)
⑮	SC-865	Screw Film Stabilizer Plate Fast. (2)
⑯	J4-E-41	<u>70MM FILM GATE PLATE &amp; STUD ASSEMBLY</u>
⑰	*PE-869	Plate 70mm Film Gate
⑱	*SU-1214	Stud Film Gate Plate Locating (2)

\* Not Sold Separately

CENTURY MODEL JJ-3 PROJECTOR

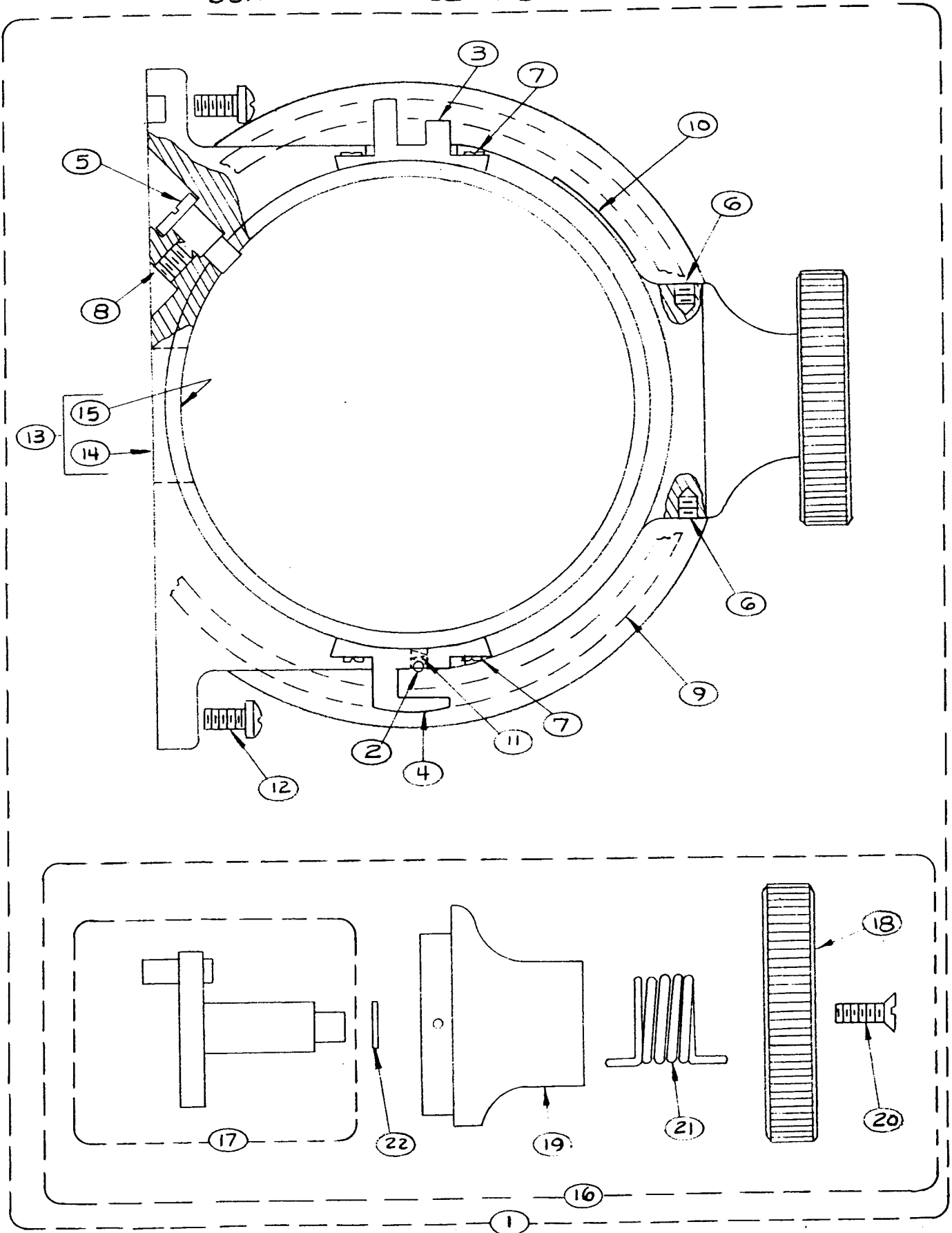


CENTURY MODEL "JJ-3" PROJECTOR

<u>Item</u>	<u>Part No.</u>	<u>Description</u>	
①	J3-D-46	<u>SHUTTER GUARD ASSEMBLY</u>	
	J3-D-43	ASSEMBLY (FIXED SHUTTER GUARD)	
②	**GD-185	Guard	Removable Shutter
③	SC-679	Screw	Removable Shutter Gd. Fast. (Front)(2)
④	SC-78	Screw	Removable Shutter Gd. Fast. (Rear)(2)
⑤	HD-78	Hood	Light
⑥	SC-1265	Screw	Light Hood Fastening (3)
⑦	SC-1104	Screw	Fixed Shutter Guard Mounting (4)
⑧	J3-D-43	<u>FIXED SHUTTER GUARD ASSEMBLY</u>	
⑨	GL-18	Glass	Spotlight
⑩	**GD-278	Guard	Fixed, Shutter
⑪	H0-5	Holder	Spotsight Glass
⑫	PN-26	Pin	Shutter Guard Spring
⑬	PN-966	Pin	Shutter Blade Setting
⑭	SC-92	Screw	Spotsight Glass Holder Fast. (4)
⑮	SG-44	Spring	
⑯	SG-1995	Spring	Heat Filter Retaining (2)
⑰	SC-94	Screw	Filter Retaining Spring Fast. (4)

\*\* Recommend Ordering As Matched Parts

CENTURY MODEL JJ-3 PROJECTOR



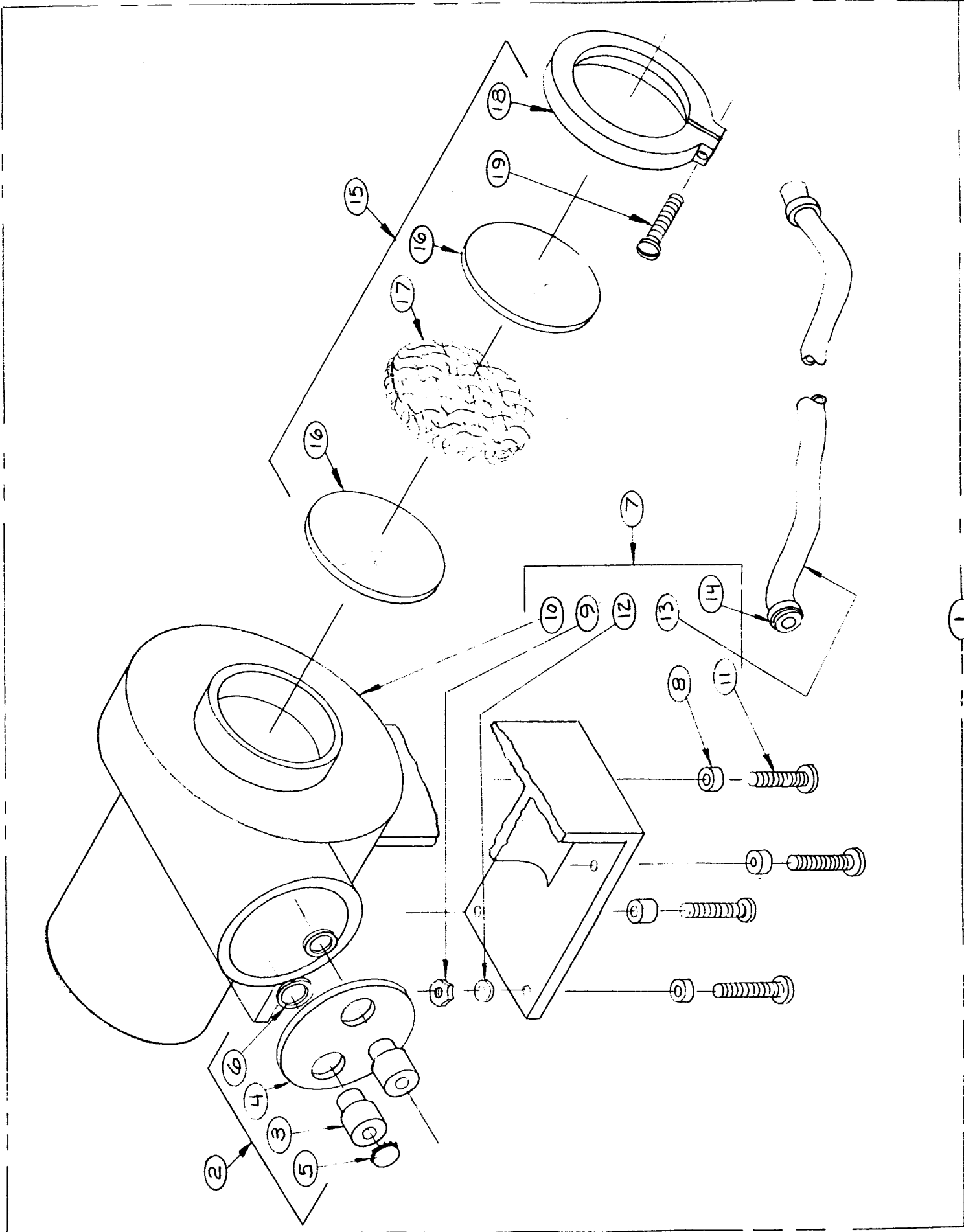


CENTURY MODEL "JJ-3" PROJECTOR

<u>Item</u>	<u>Part No.</u>	<u>Description</u>
①	J5-A-70	<u>GATE MOUNT ASSEMBLY</u>
	J5-A-71	ASSEMBLY (BRACKET & TUBE GATE)
	H1-A-66	ASSEMBLY (FILM GATE LOCK, KNOB & SHAFT)
②	BL-596	Ball Retaining
③	BR-930	Bracket Film Gate Support Upper
④	BR-931	Bracket Film Gate Support Lower
⑤	EC-1	Eccentric Film Gate Alignment
⑥	SC-131	Screw Film Gate Lock Fast. (2)
⑦	SC-1212	Screw Support, Upper & Lower Bkt. (4)
⑧	SC-1355	Screw Film Gate Align. Ecc. Lock
⑨	SP-1991	Strip Gate Mount (Rubber)
⑩	DC-98	Decal Cinefocus
⑪	SG-1213	Spring Spring Retaining
⑫	SC-137	Screw Film Gate Support Tube & Bkt Ass'y
⑬	J5-A-71	<u>BRACKET &amp; TUBE GATE ASSEMBLY</u>
⑭	*BR-928	Bracket Gate Mount (Modified For Cinefocus)
⑮	*TU-175	Tube Gate (Modified for Cinefocus)
⑯	H1-A-66	<u>FILM GATE LOCK KNOB &amp; SHAFT ASSEMBLY</u>
⑰	C1-A-67	ASSEMBLY (FILM GATE LOCK SHAFT & PIN)
⑱	KN-27	Knob Film Gate Opening
⑲	L0-45	Lock Film Gate Opening
⑳	SC-99	Screw Film Gate Knob Fastening
㉑	SG-14	Spring Film Gate Opening
㉒	WA-135	Washer Film Gate Knob

\* Not Sold Separately

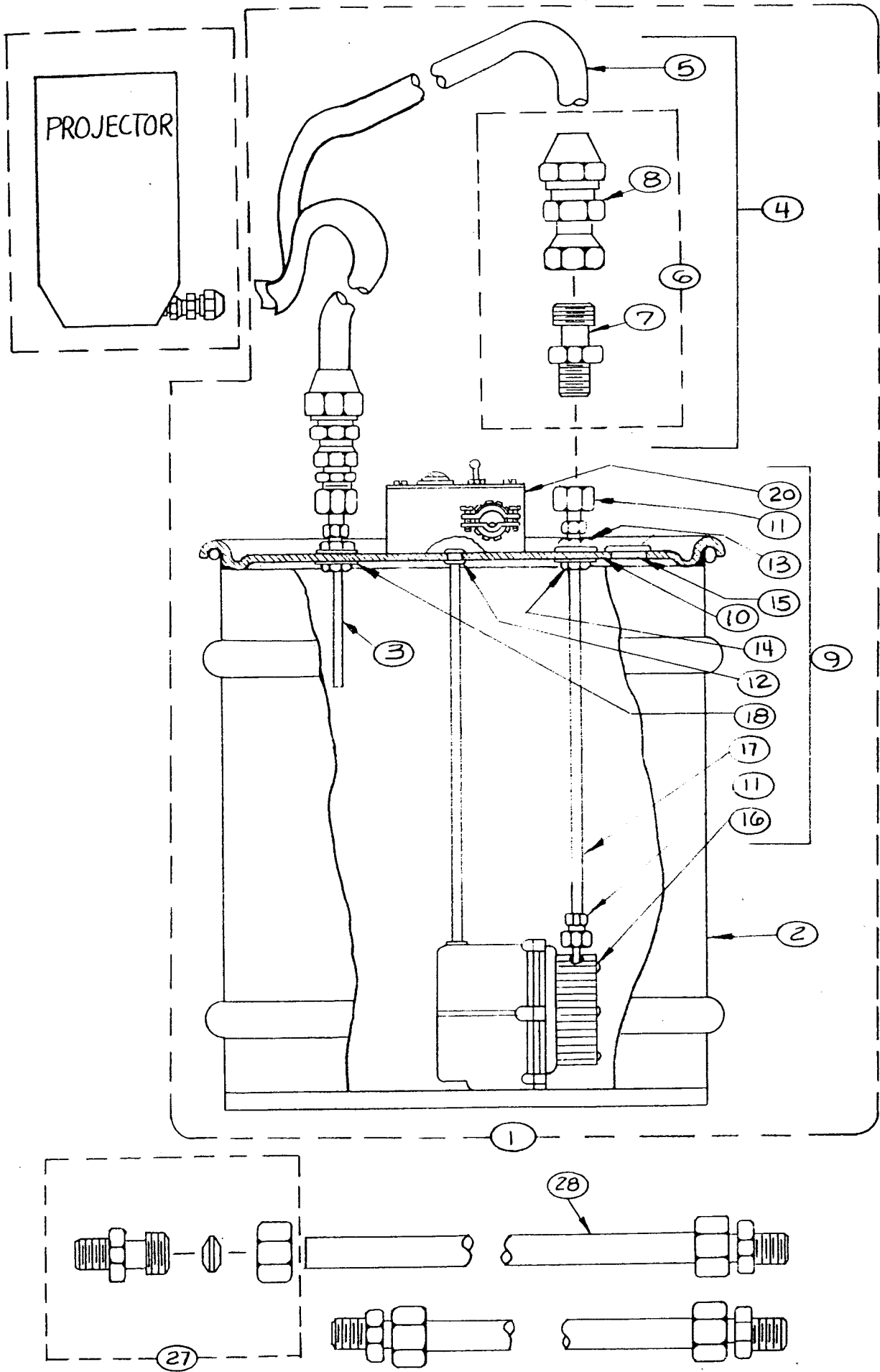
CENTURY MODEL JJ-3 PROJECTOR



CENTURY MODEL "JJ-3" PROJECTOR

<u>Item</u>	<u>Part No.</u>	<u>Description</u>
①	N2-T-103A	<u>CINE-FOCUS PUMP "BLOWER" ASSEMBLY</u>
	N2-T-104	ASSEMBLY (COVER, CONNECTOR, PLUG & RING)
	N2-T-105	ASSEMBLY (PUMP, COVER & HARDWARE)
	N2-T-106A	ASSEMBLY (FILTER)
②	N2-T-104	<u>COVER, CONNECTOR, PLUG &amp; RING ASSEMBLY</u>
③	CN-733	Connector Hose (2)
④	CR-811	Cover Blower
⑤	PG-1113	Plug Button
⑥	RI-521	Ring Connector (2)
⑦	N2-T-105	<u>PUMP, COVER &amp; HARDWARE ASSEMBLY</u>
⑧	FT-130	Foot Air Pump Mounting (4)
⑨	NU-8	Nut Mount Foot (4)
⑩	PM-1106	Pump Blower & Motor
⑪	SC-1111	Screw Mounting, Foot Fastening (4)
⑫	WA-142	Washer Mounting, Foot (4)
⑬	HE-111	Hose Flexible, Air Pump (60" Long)
⑭	CP-721	Clamp Hose Retaining (2)
⑮	N2-T-106A	<u>FILTER ASSEMBLY</u>
⑯	CR-854	Cover Filter Protecting (2)
⑰	FI-164	Filter Fiberglass
⑱	RI-571	Ring Filter Clamping
⑲	SC-574	Screw Filter Clamping Ring

WATER RECIRCULATOR ASSEMBLY ADDITIONAL

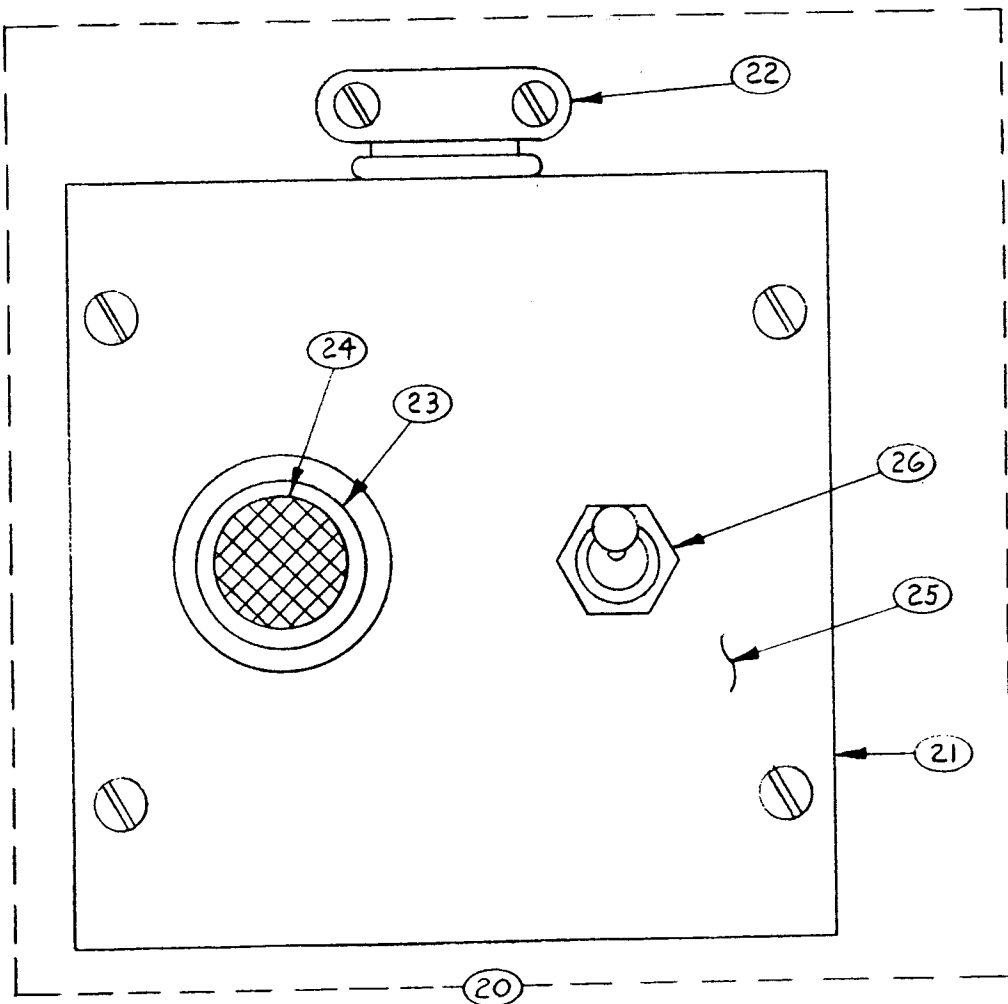
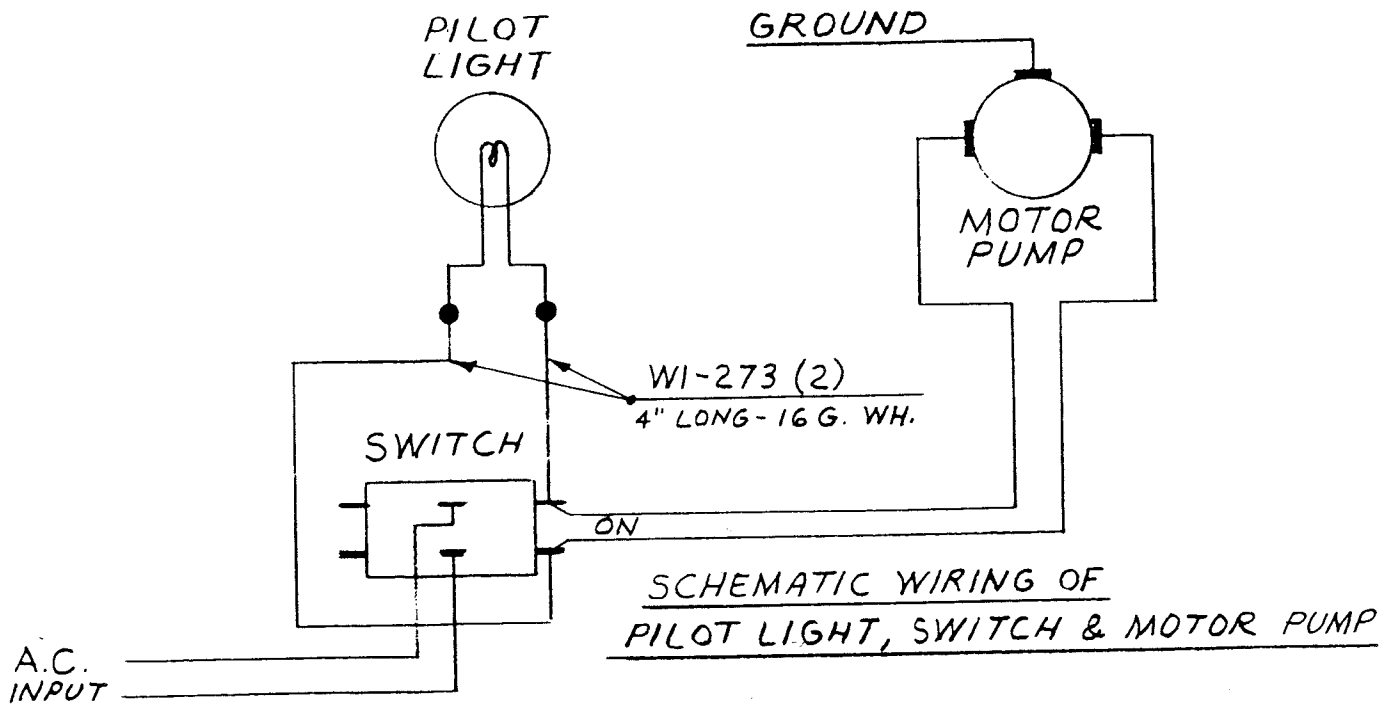


## Water Recirculator Assembly Additional

<u>Item</u>	<u>Part No.</u>	<u>Description</u>
①	C8-T-360	<u>WATER RECIRCULATOR ASSEMBLY (60 CYCLE)</u>
	C1-T-149	ASSEMBLY (WATER HOSE KIT)
	C8-T-364	ASSEMBLY (WATER DRUM COVER & PUMP ASSEMBLY)
②	DR-107	Drum Water
③	TU-347	Tube Copper
④	C1-T-149	<u>WATER HOSE KIT (FROM WATER RECIRCULATOR TO PROJECTOR)</u>
	C1-T-154	ASSEMBLY (CONNECTOR, WATER HOSE TO PROJECTOR) (2)
⑤	HE-63	Hose Water (One 10 Ft Piece)
⑥	C1-T-154	<u>CONNECTOR, WATER HOSE</u>
⑦	AD-51	Adapter Coupling To Projector
⑧	CG-134	Coupling To Water Hose
⑨	C8-T-364	<u>WATER DRUM, COVER &amp; PUMP ASSEMBLY (60 CYCLE)</u>
	C8-T-365	ASSEMBLY (BOX, SWITCH, LAMP & SQUEEZE CONN.)
⑩	CR-779	Cover Water Drum
⑪	CN-132	Connector Female (3)
⑫	GM-79	Grommet Wire Pump Cover
⑬	NU-53	Nut Gland (2)
⑭	NU-54	Nut Gland Fastening (2)
⑮	PG-206	Plug Button
⑯	PM-1053	Pump Water
⑰	TU-261	Tube Water Pump
⑱	WA-139	Washer Washer, Gland Nut (4)
⑲	WI-273	Wire Lamp & Switch Connecting (2)
⑳	C8-T-365	<u>BOX, SW. &amp; SQUEEZE CONNNECTOR ASS'Y (60 CYCLE)</u> (Next Page)
㉑	BX-1129	Box For Switch, Pilot Light & Wiring
㉒	CN-708	Connector Squeeze
㉓	LP-34	Lamp Pilot (115 Volt, 4 Watt)
㉔	LT-33	Light Socket (With Green Jewel)
㉕	PE-1043	Plate Name
㉖	SW-596	Switch On/Off

OR IF COPPER TUBING IS USED INSTEAD OF HOSE

㉗	C1-T-155	Copper Tubing Connector Assembly (One Used At Each End Of Copper Tubing)
㉘	-----	Purchase Locally



PLEASE SEE PREVIOUS PAGE FOR  
PART NUMBERS

JJ-2S & JJ-3S SINGLE SHUTTER PROJECTORS

Part No.

Description

SAME AS JJ-2 and JJ-3 EXCEPT AS NOTED BELOW

OMIT

J4-D-50 DOUBLE SHUTTER SHAFT BRACKET & BLADE ASS'Y (90°)  
(PAGE 30-31)  
GR-207 Gear, Shutter Drive Formica (Lower Shutter Drive  
Gear from J2-G-90A Vertical Shaft Ass'y, Page 44 & 45)  
SC-915 Screw, Shutter Drive Gear Fast (1)

Add

H1-D-44A SINGLE SHUTTER SHAFT & BRACKET ASS'Y  
J1-T-20 SINGLE SHUTTER & DRAFT BLADE ASS'Y  
C2-D-49 SINGLE SHUTTER HUB ASS'Y  
KN-86 Knob, Shutter Shaft Indicator  
SC-75 Screw, Knob Fastening  
SG-16 Spring, Hub Spacing

H1-D-44A SINGLE SHUTTER SHAFT & BRACKET ASS'Y  
C2-D-42 Front Shutter Bracket Ass'y  
C1-D-45 Rear Shutter Bracket Ass'y  
CL-876 Collar, Thrust  
GR-7 Gear, Steel  
RT-61 Retainer, Ring  
RT-602 Retainer, Washer  
SC-23 Screw, Shutter Shaft Collar  
SC-81 Screw, Shutter Shaft Gear  
ST-2371 Shaft, Shutter  
WA-130 Washer, Shutter Shaft (Neoprene)  
WA-131 Washer, Shutter Shaft (Steel)

ASSOCIATED PARTS

SC-137 Screw, Shutter Ass'y Mtg. (Front) (2)  
SC-1116 Screw, Shutter Ass'y Mtg. (Rear) (4)

C2-D-42 SHUTTER SHAFT BRACKET & BALL BEARING ASS'Y (FRONT)  
BG-9 Bearing, Ball  
BR-186 Bracket, Shutter Shaft (Front)  
SC-127 Screw, Ball Bearing Retaining (3)

C1-D-45 SINGLE SHUTTER BRACKET & BALL BEARING ASS'Y (REAR)  
BG-9 Bearing, Ball  
BR-14 Bracket, Ball Bearing (Rear)  
SC-127 Screw, Ball Bearing Retaining (4)