

# Film-Tech

The information contained in this Adobe Acrobat pdf file is provided at your own risk and good judgment.

These manuals are designed to facilitate the exchange of information related to cinema projection and film handling, with no warranties nor obligations from the authors, for qualified field service engineers.

If you are not a qualified technician, please make no adjustments to anything you may read about in these Adobe manual downloads.

[www.film-tech.com](http://www.film-tech.com)

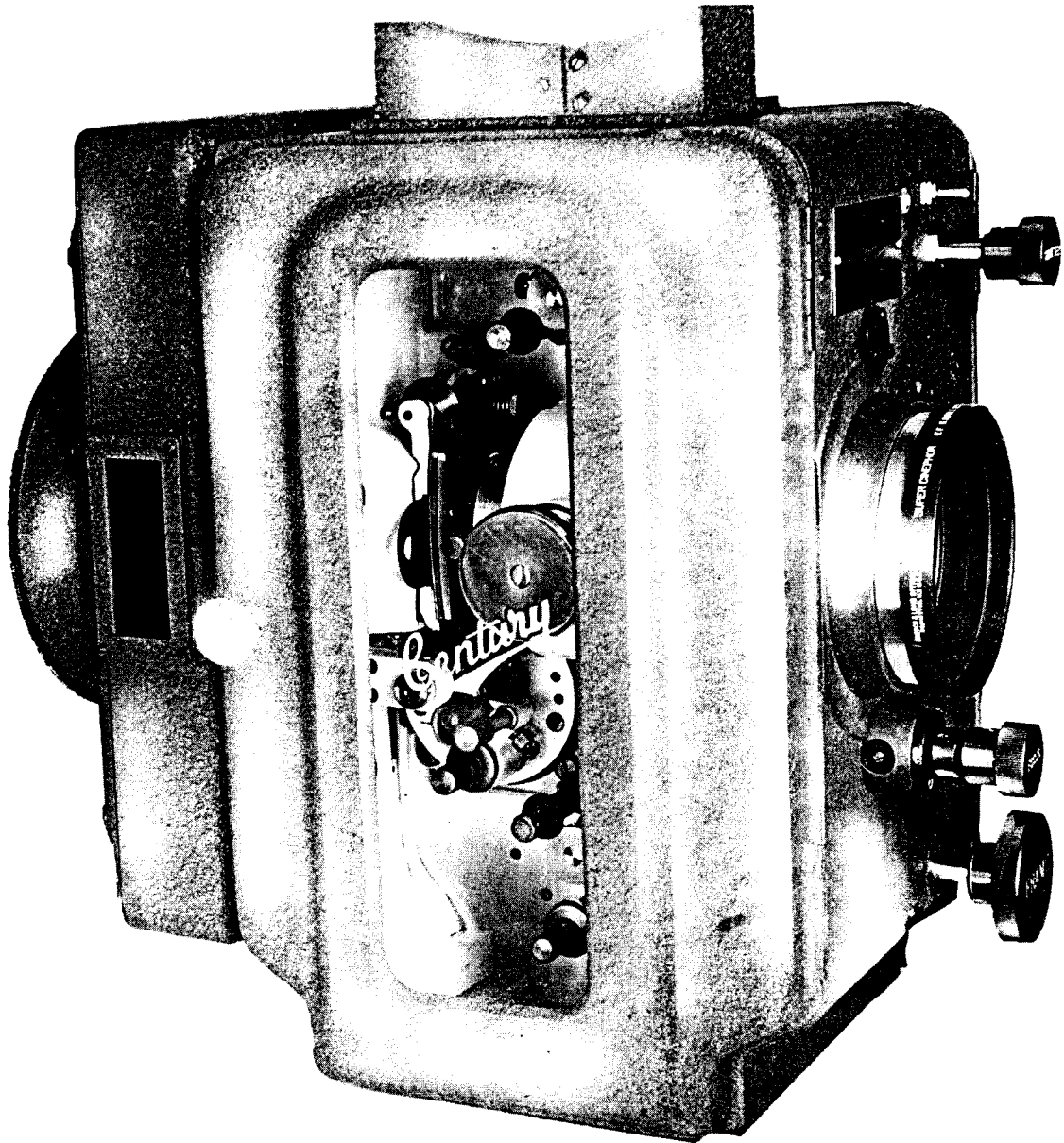


**PROJECTOR MECHANISMS  
PARTS LIST**

**CENTURY PROJECTOR CORPORATION**

NEW YORK 15, N. Y.

*Century*  
*The Modern Projector*



**CENTURY PROJECTOR CORPORATION**

165 West 46th Street, New York, New York 10036

**PRECISION - MADE**



for

**MODELS SB-DB AND SA-DA SERIES  
PROJECTOR MECHANISMS**

**CENTURY PROJECTOR CORPORATION**

A DIVISION OF UNITED INDUSTRIAL SYNDICATE, INC.

**165 West 46th Street, New York, New York 10036**

PRINTED IN U.S.A.

**Contents**

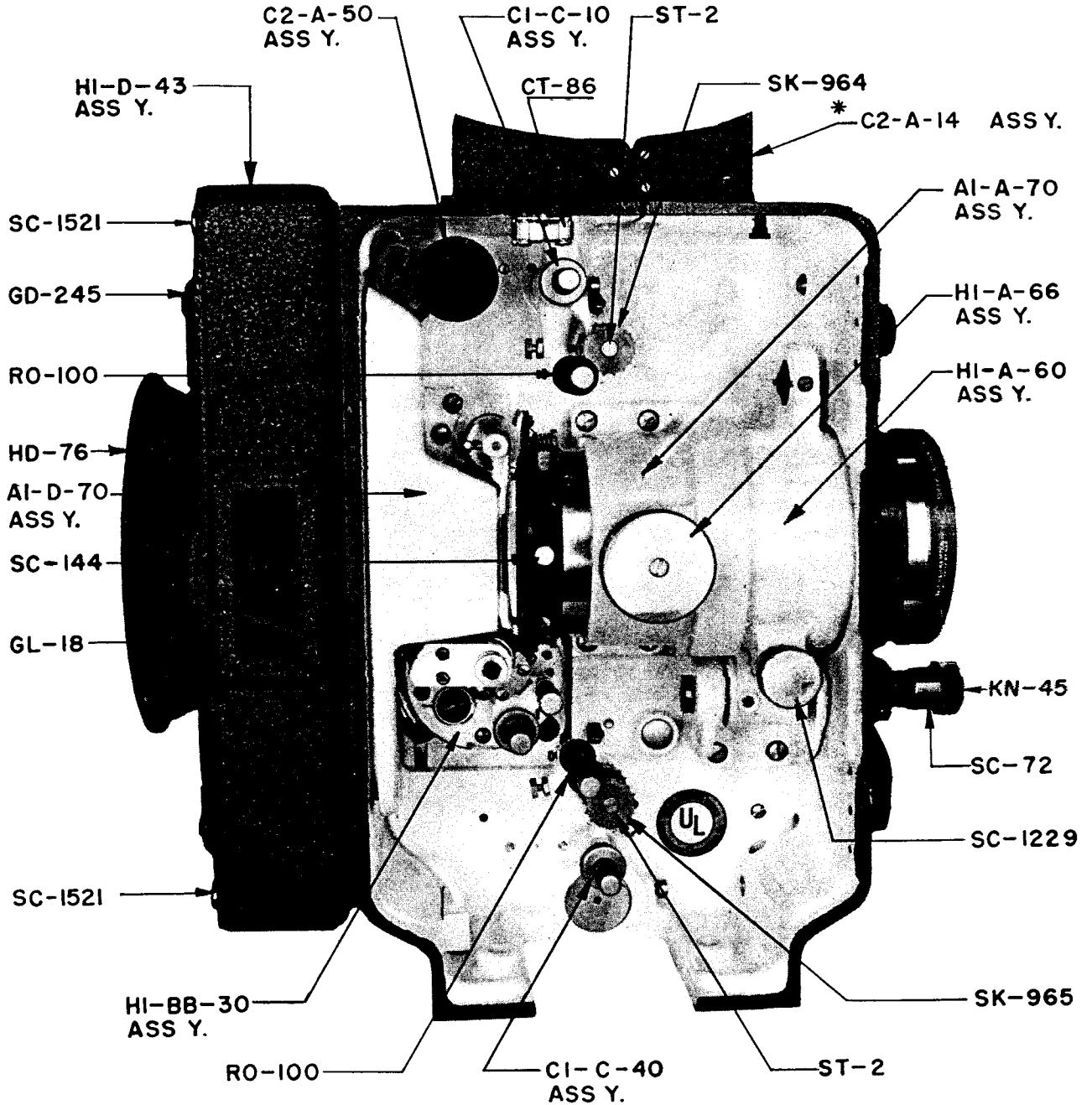
PAGE NUMBER

ILLUSTRATIONS - MAIN ASSEMBLIES - PARTS .....	4-5-6-7-8
MAIN FRAME PARTS - (DRIVE & OPERATING SIDES) .....	9
OPERATING & DRIVE-SIDE DOORS .....	9
FIRE TRAP ROLLER HOLDER - FRAMING SHAFT .....	10
INTERMITTENT CARRIAGE & SHUTTER ADJUSTMENT .....	10-11
PILOT LAMP - LENS MOUNT .....	11-12
FILM GATE SUPPORT BRACKET & LOCK KNOB (STANDARD/CINE-FOCUS) .....	12-13
UPPER ROLLER HOLDER - HEAT FILTER (CINE-FOCUS) .....	13
INTERMITTENT MOVEMENT .....	14-15
UPPER PAD ROLLER ARM - LOWER PAD ROLLER ARM .....	16
UPPER SPROCKET SHAFT - LOWER SPROCKET SHAFT .....	16
SINGLE SHUTTER SHAFT - SHUTTER BLADES - SHUTTER GUARDS .....	16-17-18
DOUBLE SHUTTER SHAFT - SHUTTER BLADES & HUBS .....	19-20-21
AUTOMATIC FIRE SHUTTER - LIGHT SHIELD - FILM TRAP .....	21
LATERAL GUIDE ROLLER - FILM GATE (REGULAR/CINE-FOCUS) .....	22
FILM TRAP SUPPORT/HEAT SHIELD (STANDARD) .....	22
FILM TRAP SUPPORT/WATER-CELL - APERTURE PLATES .....	22
GOVERNOR/VERTICAL SHAFTS (STANDARD & DIRECT DRIVE) .....	23-24
MAIN DRIVE SHAFTS (STANDARD AND DIRECT DRIVE) .....	24
CONVERSION KITS - TAKE-UP MAGAZINE MOTOR DRIVE .....	24-25-26
CINE-FOCUS AIR PUMP - LENS BUSHING - WATER RECIRCULATOR .....	26-27-28
FRONT LENS SUPPORT - LOCATE RING - CONVERSION KIT .....	28
<u>PARTS AND ASSEMBLIES</u> FOR FORMER MODEL MECHANISMS (C/CC-H/HH) .....	29 TO 35
ILLUSTRATIONS - INTERMITTENT SPROCKET PAD ASSEMBLIES .....	36

NOTES:

"ASS Y." DENOTES COMPLETE ASSEMBLY - NOT A PART.  
CONSULT PARTS BOOK FOR DESCRIPTION AND  
CODE NUMBERS OF COMPONENTS.

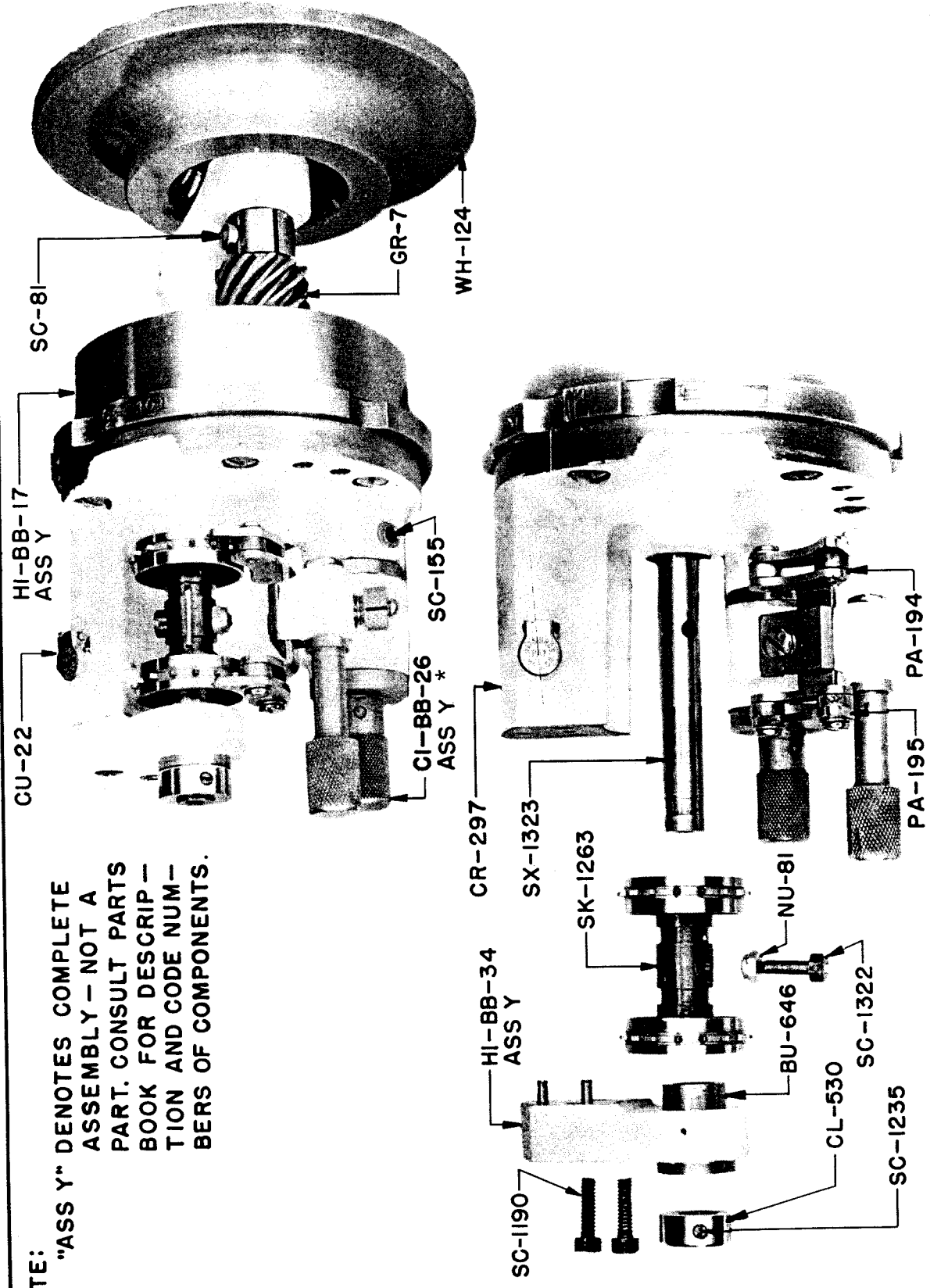
- \* C2-A-14 FIRE TRAP (FOR NITRATE FILMS)
- CI-A-70 ROLLER HOLDER (FOR SAFETY FILMS)



OPERATING-SIDE

**NOTE:**

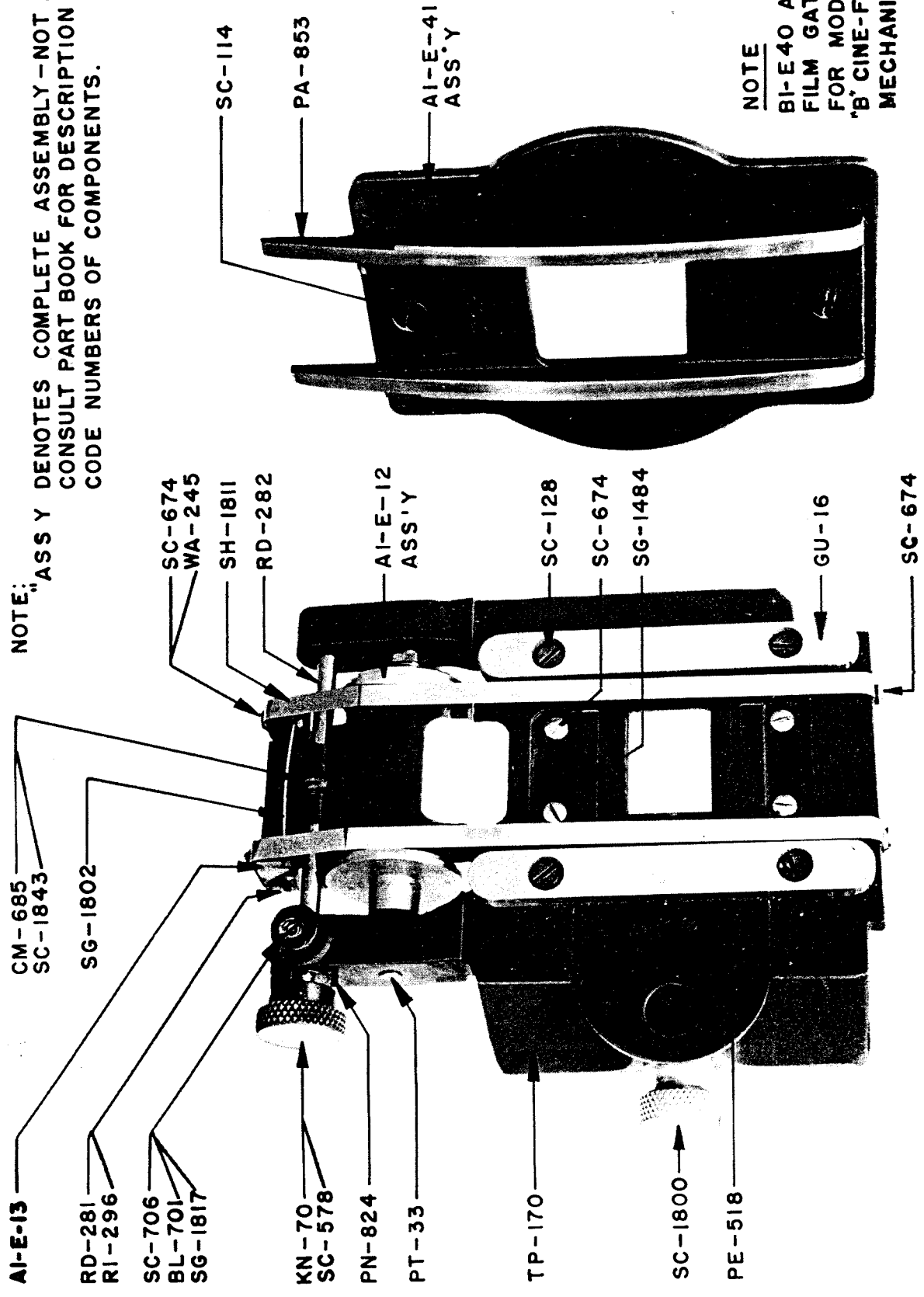
"ASS Y" DENOTES COMPLETE ASSEMBLY - NOT A PART. CONSULT PARTS BOOK FOR DESCRIPTION AND CODE NUMBERS OF COMPONENTS.



\* REFER TO PAGE #36 FOR ILLUSTRATION OF CI-BB-26 ASSY.

**INTERMITTENT MOVEMENT  
(HI-BB-30 ASS Y)**

NOTE: "ASS Y DENOTES COMPLETE ASSEMBLY - NOT A PART. CONSULT PART BOOK FOR DESCRIPTION AND CODE NUMBERS OF COMPONENTS.

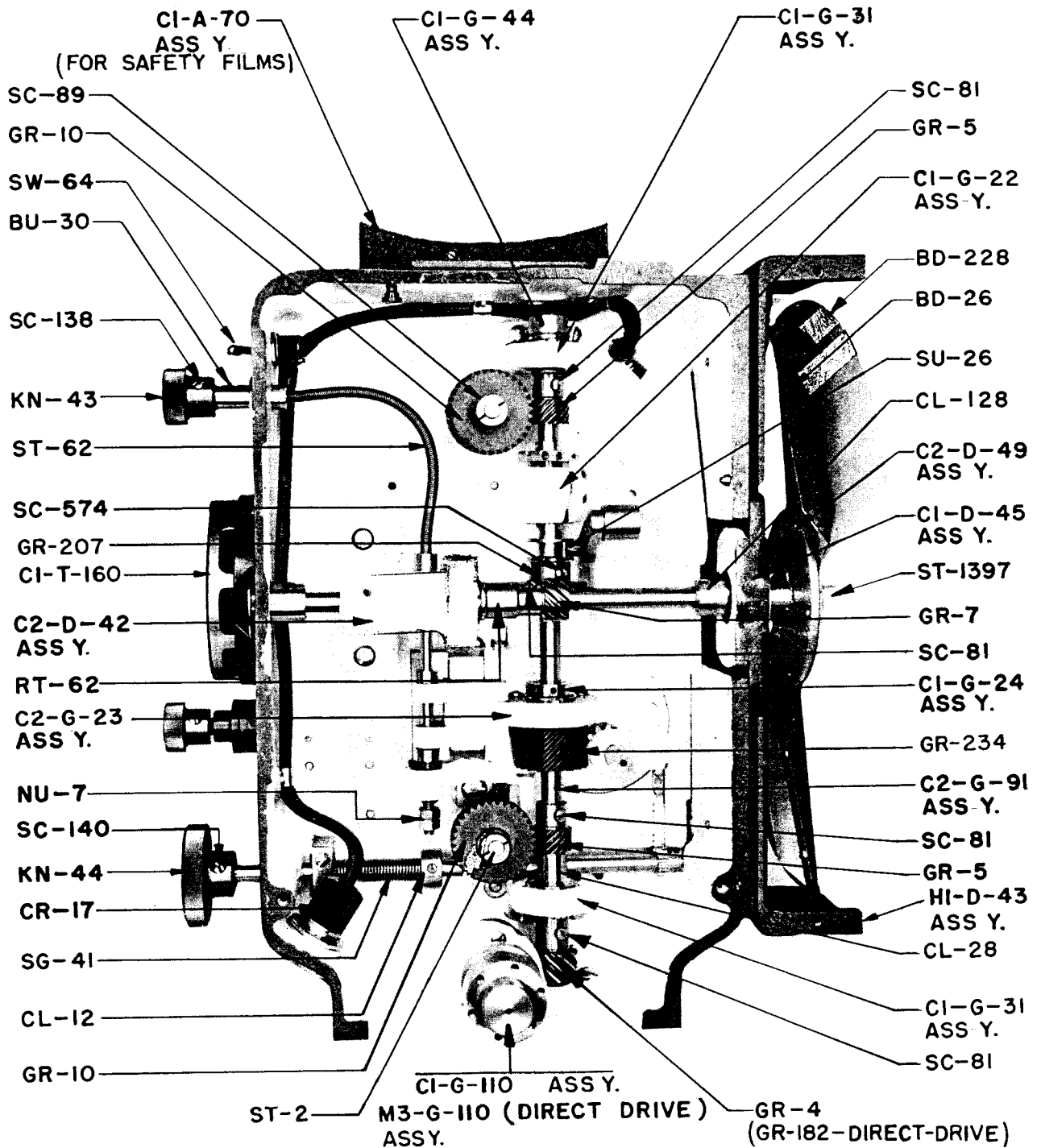


AI-E-40 ASS Y  
FILM GATE

AI-E-10 ASS Y  
FILM TRAP

NOTE  
BI-E 40 ASS'Y  
FILM GATE  
FOR MODEL  
'B' CINE-FOCUS  
MECHANISM.

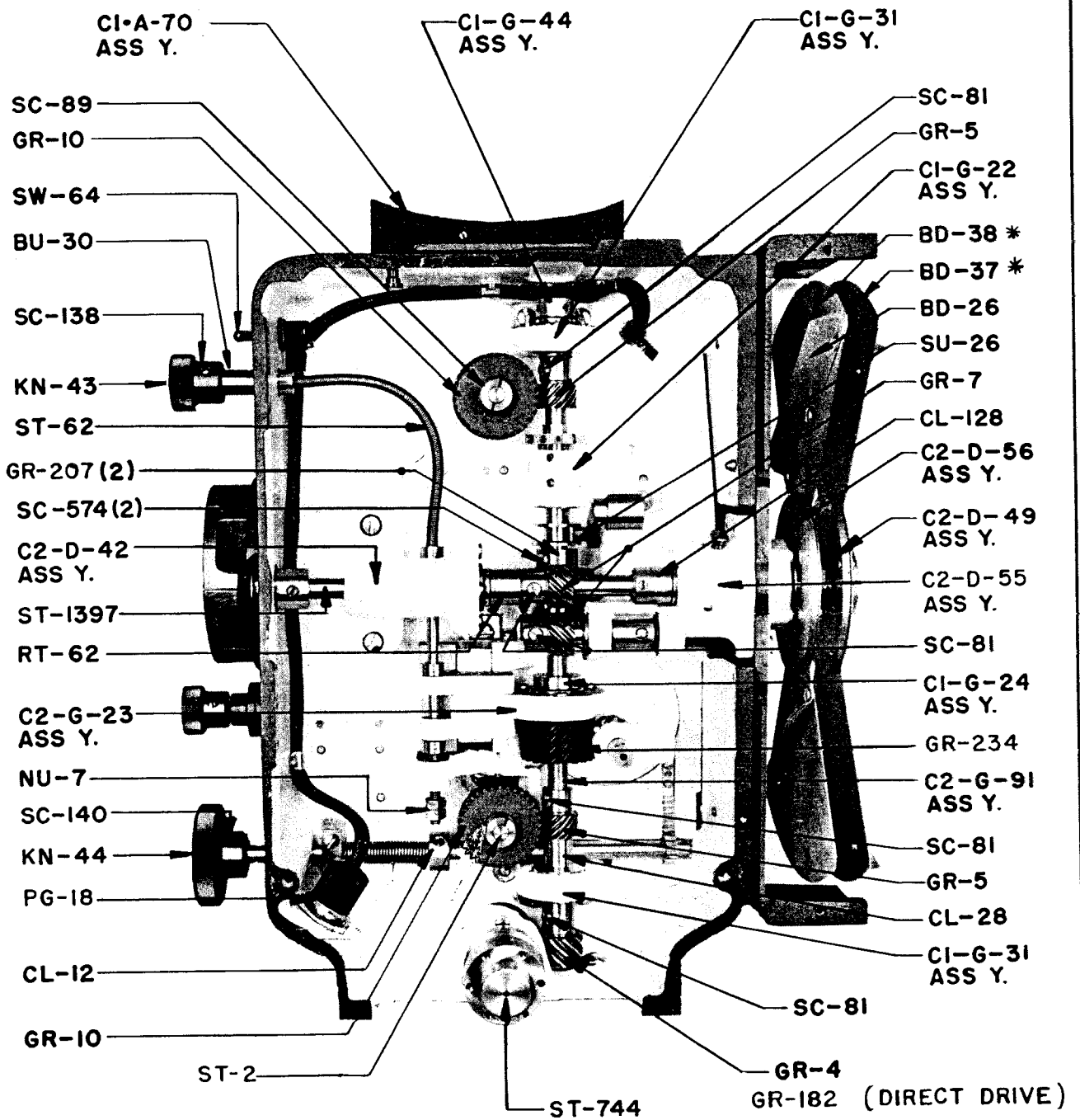




**SINGLE-SHUTTER  
(DRIVE-SIDE)**

**NOTE:**

"ASS Y." DENOTES COMPLETE ASSEMBLY-NOT A PART.  
CONSULT PARTS BOOK FOR DESCRIPTION AND  
CODE NUMBERS OF COMPONENTS.



**DOUBLE-SHUTTER  
(DRIVE-SIDE)**

**NOTES:**

- DDS - SHUTTERS - C2-D-58 (OUTER) / C2-D-59 (INNER) (IN DOOR)
- DDS - SHUTTERS - C4-D-58 (INNER) / C4-D-59 (OUTER) (DRIVE-IN)

"ASSY." DENOTES COMPLETE ASSEMBLY - NOT A PART  
CONSULT PARTS BOOK.

PART NO.	DESCRIPTION
<u>MAIN FRAME PARTS - DRIVE AND OPERATING SIDES)</u>	
C1-A-11	Door Hinge and Pin Assembly (4)
J3-A-130	Air Retaining Tube Assembly (Cine-Focus)
BU-29	Bushing Sprocket Shaft Bearing (Upper and Lower) (4)
CN-733	Connector Air Hose (Cine-Focus)
CR-5	Cover Drive-side (Lower)
CT-86	Catch Operating-side and Drive-side Door (2)
CU-22	Cup Sprocket Shaft Oil (2)
HE-114	Hose Cine-Focus Auxiliary (Front of Frame to Lens Mount)
PG-218	Plug Frame
PG-261	Plug Water Connector Frame Hole Cover (2)
PG-608	Plug Frame Button (Center Wall) (Standard Mechanism)
PN-21	Pin Gate Tube, Lens Mount Support Bkt. Locate (3)
PN-28	Pin Film Trap and Shutter Bracket Locate (5)
PN-247	Pin Carriage Stop (Upper and Lower) (2)
RI-521	Ring Cine-Focus Hose Connector Retaining
RT-2	Retainer Main Drive Shaft (Operating-side)
SC-76	Screw Changeover Shutter Guide - Heat Shield Mount (2)
SC-113	Screw Drive-side Lower Cover Retaining (2)
SC-127	Screw Main Drive Shaft Ball Bearing Retaining (3)
SC-137	Screw Pad Roller Arm Retaining (Upper and Lower) (2)
SC-143	Screw Main Drive Shaft Retainer Holding
SC-226	Screw Door Link Stop (2)
SC-565	Screw Door Catch Fastening (4)
SC-661	Screw Door Hinge (Mounting to Frame) (12)
SC-739	Screw Upper Magazine Mounting (4)
SC-817	Screw Vertical Shaft Lower Driven Gear Safety
SD-1130	Shield Changeover Shutter Guide - Heat
SP-1949	Strip Lens Mount Rubber (Cine-Focus)
<u>OPERATING-SIDE DOOR ASSEMBLY</u>	
H1-A-12	
CP-20	Clamp Door Glass Retaining (6)
DO-63	Door Operating-side
GL-15	Glass Operating-side Door Viewing
KN-47	Knob Operating-side Door Opening (includes Fastening Screw)
LI-7	Link Door Stop (LI-11 for Drive-in)
SB-60	Stop Door Closing (Felt) (2)
SC-70	Screw Door Hinge Fastening (6)
SC-123	Screw Door Glass Clamp and Strike Fastening (8)
SC-226	Screw Door Stop Link Retaining (for LI-7 and LI-11)
SS-528	Strike Door (closing)
<u>DRIVE-SIDE DOOR ASSEMBLY</u>	
C2-A-13	
DO-57	Door Drive-side
KN-47	Knob Door (includes Fastening Screw)
LI-7	Link Door Stop (LI-11 for Drive-in)
SB-60	Stop Door Closing (Felt) (2)
SC-70	Screw Door Hinge Fastening (6)
SC-123	Screw Door Strike Fastening (2)
SC-226	Screw Door Stop Link Retaining (For LI-7/LI-11)
SS-528	Strike Door (Closing)

PART NO.	DESCRIPTION	
C2-A-14	UPPER FIRE TRAP ROLLER HOLDER ASSEMBLY (COMPLETE) (NITRATE FILMS)	
HO-6	Holder	Fire Trap Roller (Upper)
RO-101	Roller	Fire Trap (Large)
RO-102	Roller	Fire Trap (Small) (2)
SC-115	Screw	Roller Retaining (6)
SC-116	Screw	Upper Roller Holder Fastening (Front)
SC-117	Screw	Upper Roller Holder Fastening (Rear) (2)
C1-A-15	DOOR LOCK SPRING BUTTON AND SHANK (OBSOLETE - STOCK AVAILABLE)	
C1-A-20	FRAMING SHAFT ASSEMBLY (COMPLETE)	
C1-A-21	Framing Shaft & Pinion (PI-4/ST-1/PN-29)	
CL-12	Collar	Framing Shaft
CP-1	Clamp	Framing Shaft (Outer)
CP-31	Clamp	Framing Shaft (Inner)
KN-44	Knob	Framing
SC-73	Screw	Framing Shaft Clamp (Upper)
SC-74	Screw	Framing Shaft Collar Fastening
SC-132	Screw	Framing Shaft Clamp (Lower)
SC-140	Screw	Framing Knob Fastening
SG-41	Spring	Framing Shaft Tension
WA-11	Washer	Framing Shaft Clamp Spacer
C2-A-30	INTERMITTENT CARRIAGE & SHUTTER ADJUSTMENT ASSEMBLY (COMPLETE)	
C2-A-33	Intermittent Carriage Assembly	
BU-30	Bushing	Shutter Adjustment Retainer
CG-14	Coupling	Shutter Adjustment
KN-43	Knob	Shutter Adjustment
RT-10	Retainer	Shutter Adjustment Flexible Shaft
SC-77	Screw	Shutter Adjustment Coupling & Retainer Fastening (3)
SC-138	Screw	Shutter Adjustment Knob Fastening
ST-62	Shaft	Shutter Adjustment Flexible
GI-1	Gib	Intermittent Carriage
SA-752	Spacer	Intermittent Drive Bearing Bracket Screw (2)
SC-71	Screw	Intermittent Carriage Gib Fastening (2)
SC-751	Screw	Intermittent Drive Bearing Bkt. Fastening (Allen) (2)
SG-58	Spring	Intermittent Carriage Gib
WA-132	Washer	Intermittent Carriage Gib Lock (2)

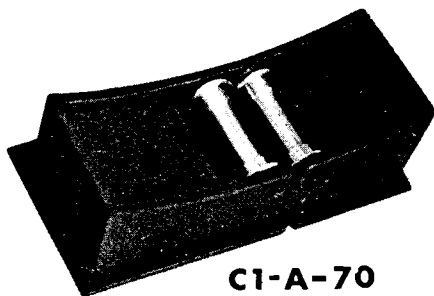


PART NO.	DESCRIPTION	
C2-A-33	INTERMITTENT CARRIAGE ASSEMBLY	
V1-A-32	Shutter Adjustment Screw/Shaft & Collar	
CA-4	Carriage	Intermittent
BR-12	Bracket	Shutter Adjustment
GI-6	Gib	Shutter Adjustment Bracket
NU-7	Nut	Shutter Adjustment Screw/Shaft Stop (2)
PN-22	Pin	Intermittent Carriage Rack
PN-811	Pin	Shutter Adjust. Bracket Gib Retaining (2)
RK-4	Rack	Framing
RT-3	Retainer	Intermittent Carriage Spring (2)
SC-75	Screw	Framing Rack Fastening (2)
SC-78	Screw	Shutter Adjustment Bracket Gib (2)
SC-82	Screw	Intermittent Carriage Spring Retainer Fastening (2)
SC-106	Screw	Intermittent Movement Retaining (4)
SG-100	Spring	Shutter Adjustment Bracket Tension
WA-11	Washer	Shutter Adjustment Screw/Shaft
WA-132	Washer	Shutter Adjusting Bracket Gib Screw Lock (2)
C2-A-50	PILOT LIGHT ASSEMBLY	
C3-A-53	Pilot Light Bulb Protector	
C1-A-54	Pilot Light Switch, Socket & Wire Assembly	
LT-91	Light	Pilot (Framing) (6W-C6 Clear)
CP-21	Clamp	Flexible Shield Retaining (4)
SC-112	Screw	Flexible Shield Retaining Clamp (4)
C1-A-52	PILOT LIGHT SOCKET & GUARD SUPPORT ASSEMBLY	
C1-A-51	Pilot Light Socket & Guard Support	
NI-78	Nipple	Pilot Light Socket
NU-6	Nut	Pilot Light Socket Retainer (2)
SC-172	Screw	Pilot Light Socket Locating
WA-68	Washer	Pilot Light Socket Spacer
C1-A-54	PILOT LIGHT SWITCH, SOCKET & WIRE ASSEMBLY	
C1-A-52	Pilot Light Socket & Guard Support	
CR-17	Cover	Terminal
PG-18	Plug	Male (Plate & Locking Ring)
PG-51	Plug	Female (Cover)
SW-64	Switch	Pilot Light
TU-3	Tube	Pilot Light Flexible Shield (Long)
TU-4	Tube	Pilot Light Flexible Shield (Short)
WI-13	Wire	Pilot Light Connection
H1-A-60	LENS MOUNT ASSEMBLY (COMPLETE)	
BR-601	Bracket	Lens Mount Clamp
BR-663	Bracket	Lens Mount Clamp Support
CL-554	Collar	Focusing Screw
KN-45	Knob	Focus
PG-301	Plug	Focus Screw
RD-150	Rod	Lens Clamp Bracket Guide (Lower)
		(Continued ON The Following Page)

PART NO.	DESCRIPTION	
H1-A-60	LENS MOUNT ASSEMBLY (CONTINUED)	
SA-1226	Spacer	Focusing Screw
SC-72	Screw	Focus Knob Fastening
SC-105	Screw	Focus Screw Spacer Retaining (3)
SC-501	Screw	Lens Clamp Bracket Rod Fastening (2)
SC-678	Screw	Focus Screw Plug Spring Retaining
SC-1229	Screw	Lens Clamp (Knurled)
SC-1231	Screw	Lens Clamp Bracket Adjusting (2)
SC-579	Screw	Lens Clamp Bracket Adjusting Lock (Upper) (2)
SC-1236	Screw	Focus Screw Collar Fastening (2)
SC-1362	Screw	Focusing (Shaft/Screw)
SG-999	Spring	Focusing Screw Plug Retaining
WA-163	Washer	Focus Screw Thrust (2)
WA-203	Washer	Lens Clamp Screw Split
BU-795	Bushing	Lens Mount Eccentric
NU-79	Nut	Lens Mount Eccentric Bushing Lock
SC-88	Screw	Lens Clamp Bracket Locate Stud Fastening (3)
SC-137	Screw	Lens Mount Support Fastening (4)
SU-1357	Stud	Lens Clamp Bkt. Locate (Upper) (Obsolete - Available)
SU-1673	Stud	Lens Clamp Bracket Locate (Upper)
H1-A-66	FILM GATE OPEN & CLOSE LOCK & KNOB ASSEMBLY (COMPLETE)	
C1-A-67	Film Gate Lock Shaft & Pin	
KN-27	Knob	Film Gate Open & Close
LO-45	Lock	Film Gate Open & Close Housing
SC-99	Screw	Film Gate Open & Close Knob Retaining
SG-14	Spring	Film Gate Open & Close Pressure
WA-135	Washer	Film Gate Lock Shaft
A1-A-70	FILM GATE SUPPORT TUBE & BRACKET ASSEMBLY (STANDARD MECHANISM)	
H1-A-66	Film Gate Opening & Closing Knob Assembly	
AD-97	Adapter	Film Gate Retaining
BR-913	Bracket	Gate Support Tube & Knob Housing
EC-1	Eccentric	Film Gate Alignment
SC-98	Screw	Film Gate Retaining Adapter Fastening (4)
SC-131	Screw	Film Gate Knob Assembly Retain. (Upper and Lower) (2)
SC-144	Screw	Film Gate Retaining Thumb
SC-1355	Screw	Film Gate Alignment Eccentric Lock
TU-172	Tube	Film Gate Support
SC-137	Screw	Film Gate Support Tube & Bracket Assembly Mount (4)



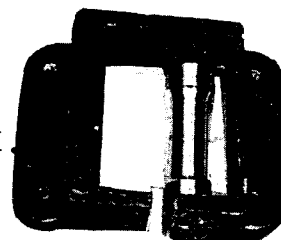
PART NO.	DESCRIPTION	
B1-A-70	FILM GATE SUPPORT TUBE AND BRACKET ASSEMBLY (CINE-FOCUS)	
H1-A-66	Film Gate Opening and Closing Knob Assembly	
B1-A-71	Film Gate Support Bracket and Tube	
AD-97	Adapter	Film Gate Retaining
EC-1	Eccentric	Film Gate Alignment
SC-98	Screw	Film Gate Retaining Adapter Fastening (4)
SC-131	Screw	Film Gate Knob Assembly Retain. (Upper and Lower) (2)
SC-144	Screw	Film Gate Retaining Thumb
SC-1355	Screw	Film Gate Alignment Eccentric Lock
SP-1982	Strip	Film Gate (Rubber)
SP-1991	Strip	Film Gate Mount Bracket (Rubber)
SC-137	Screw	Film Gate Support Tube and Bracket Mount (4)
C1-A-70	UPPER ROLLER HOLDER ASSEMBLY (COMPLETE) (SAFETY FILMS)	
C1-A-71	Upper Roller and Ball Bearings (2)	
C1-A-72	Upper Roller Holder and Bushings	
SU-2059	Stud	Roller Retaining (2)
SC-116	Screw	Upper Roller Holder Fastening (Front)
SC-117	Screw	Upper Roller Holder Fastening (Rear) (2)
C2-A-70	UPPER ROLLER HOLDER ASSEMBLY (SPECIAL 26") (FORWARD TILT)	
C1-A-71	Upper Magazine Roller and Ball Bearings (2)	
C1-A-75	Roller Holder and Bushings	
SC-957	Screw	Roller Holder Assembly Fastening (2)
SU-2059	Stud	Roller (2)
WA-160	Washer	Roller Holder Assembly Fastening Screw (2)
BK-812	Block	Upper Magazine Offset
SC-886	Screw	Upper Magazine Offset Block Fastening (4)
J3-A-90	HEAT FILTER AND HOLDER ASSEMBLY (MODEL B - CINE-FOCUS)	
CP-734	Clamp	Heat Filter Retaining (4)
FI-135	Filter	Heat Control (UVIR-2)
HO-113	Holder	Heat Filter
SC-1016	Screw	Retaining Clamp Fastening (4)



**C1-A-70**

UPPER ROLLER HOLDER ASSEMBLY

FOR USE WITH SAFETY  
FILM ONLY. NOT FOR  
USE WITH NITRATE OR  
OTHER FLAMMABLE FILM.



**C1-W-60**

LOWER ROLLER HOLDER ASSEMBLY

PART NO.	DESCRIPTION
H1-BB-30	INTERMITTENT MOVEMENT ASSEMBLY (COMPLETE)
H1-BB-16	Intermittent Cover, Outer Bushing & Bracket Assembly
H1-BB-17	Intermittent Case and Bushings
C1-BB-26	Intermittent Sprocket Pad and Arm Assembly
H1-BB-31	Cam Thrust Ball Bearing and Bracket Assembly
CL-530	Collar Starwheel Shaft Thrust
CM-528	Cam Intermittent (Includes PN-615)
GA-181	Gasket Intermittent Case-Cover Oil Seal
GR-7	Gear Cam Shaft Driven (Steel)
NU-81	Nut Intermittent Sprocket Fastening Screw
PE-38	Plate Stop
PN-615	Pin Intermittent Cam
SA-1321	Spacer Cam Thrust Bracket
SC-3	Screw Flywheel Fastening
SC-39	Screw Starwheel and Cam Adjustment (2)
SC-69	Screw Cam Thrust Bracket
SC-81	Screw Cam Shaft Gear Fastening
SC-104	Screw Intermittent Cover Fastening (4)
SC-134	Screw Stop Plate Retaining
SC-155	Screw Inter. Sprocket Pad Arm Assembly Retaining (Allen)
SC-1010	Screw Intermittent Cover Oil Drain
SC-1235	Screw Starwheel Shaft Thrust Collar Fastening (2)
SC-1322	Screw Intermittent Sprocket Fastening
SK-1263	Sprocket Intermittent (includes NU-81 - SC-1322)
SX-1323	Starwheel Intermittent
WA-12	Washer Cover Oil Drain Screw (Copper)
WA-65	Washer Cover and Oil Drain Retaining Screw (Steel) (5)
WA-126	Washer Cover Oil Drain Screw (Fibre)
WH-124	Flywheel Intermittent
H1-BB-16	INTERMITTENT COVER, STARWHEEL BUSHING AND BRACKET ASSEMBLY
H1-BB-34	Starwheel Bushing and Bracket (Outer)
BU-645	Bushing Starwheel Shaft (Inner)
CR-297	Cover Intermittent (H1-BB-16)
CU-658	Cup Intermittent Case-Cover Oil
SC-94	Screw Intermittent Film Stripper Fastening
SC-105	Screw Starwheel Shaft Inner Bushing Fastening (3)
SC-217	Screw Cam Shaft Adjusting Plug
SC-1190	Screw Starwheel Outer Bushing Bracket Fastening (Allen) (2)
SP-1326	Stripper Intermittent Film
WA-28	Washer Cam Shaft Adjusting Plug
WN-192	Window Oil Level

LUBRICATE WITH CENTURY CERTIFIED PROJECTOR OIL  
 PROVEN BEST BY ACTUAL TEST - IN GALLON TINS.



PART NO.	DESCRIPTION	
H1-BB-17	INTERMITTENT CASE AND BUSHING ASSEMBLY	
BU-21	Bushing	Cam Shaft (Inner)
BU-40	Bushing	Cam Shaft (Outer) (Oilite)
CS-529	Case	Intermittent (H1-BB-17)
PG-159	Plug	Case Oil Hole (Felt)
PN-32	Pin	Adjusting Pivot
SC-7	Screw	Cam Shaft Inner Bushing Fastening (3)
C1-BB-26	INTERMITTENT SPROCKET PAD AND ARM ASSEMBLY (COMPLETE)	
C1-BB-27	Intermittent Pad Spring Stud and Plate	
C1-BB-28	Intermittent Sprocket Pad Assembly	
C1-BB-29	Intermittent Sprocket Pad Stud and Bushing	
AR-46	Arm	Intermittent Sprocket Pad
BL-18	Ball	Intermittent Sprocket Pad Arm (2)
KN-30	Knob	Intermittent Sprocket Pad Arm
NU-46	Nut	Intermittent Pad Adjusting Spring
SC-82	Screw	Spring Stud Plate Fastening
SC-127	Screw	Knob Fastening
SC-708	Screw	Intermittent Pad Adjusting Spring Nut Stop
SG-21	Spring	Intermittent Sprocket Pad Arm Ball (2)
SG-705	Spring	Intermittent Pad Adjusting
C1-BB-28	INTERMITTENT SPROCKET PAD ASSEMBLY	
PA-194	Pad	Intermittent Sprocket (Inner)
PA-195	Pad	Intermittent Sprocket (Outer) (2)
SA-33	Spacer	Intermittent Sprocket Pad (4)
SC-877	Screw	Intermittent Sprocket Pad Fastening (4)
WA-151	Washer	Intermittent Sprocket Pad Fastening Screw Lock (4)
C1-BB-29	INTERMITTENT SPROCKET PAD STUD AND BUSHING ASSEMBLY	
BU-27	Bushing	Intermittent Sprocket Pad Stud (C1-BB-29)
KN-24	Knob	Intermittent Sprocket Pad Stud (C1-BB-29)
PN-25	Pin	Intermittent Sprocket Pad Stud Bushing
PN-36	Pin	Intermittent Sprocket Pad Stud Knob Stop
PN-68	Pin	Intermittent Sprocket Pad Stud Knob Fastening
SU-4	Stud	Intermittent Sprocket Pad (C1-BB-29)
H1-BB-31	INTERMITTENT CAM THRUST BALL BEARING AND BRACKET ASSEMBLY	
C1-BB-11	Intermittent Cam Thrust Ball Bearing	
BR-643	Bracket	Intermittent Cam Thrust
SC-85	Screw	Intermittent Cam Thrust Bearing
H1-BB-34	STARWHEEL SHAFT OUTER BRACKET AND BUSHING ASSEMBLY	
BR-644	Bracket	Starwheel Shaft (Outer)
BU-646	Bushing	Starwheel Shaft (Outer)
PN-665	Pin	Starwheel Shaft Bracket Locate (2)

PART NO.	DESCRIPTION
C1-C-10	UPPER PAD ROLLER ARM ASSEMBLY (COMPLETE)
C1-C-13	Upper Pad Roller Arm Stud, Knob and Bushing
C1-C-21	Pad Roller Shaft and Knob
AR-1	Arm Upper Pad Roller
BL-18	Ball Pad Roller Arm (2)
NU-8	Nut Pad Roller Adjusting Screw Stop
RO-100	Roller Pad
SC-87	Screw Pad Roller Adjusting
SC-88	Screw Pad Roller Shaft and Knob Retaining
SG-21	Spring Pad Roller Arm Ball (2)
C1-C-13	UPPER PAD ROLLER ARM STUD, KNOB AND BUSHING
C1-C-11	Upper Pad Roller Arm Stud and Knob (C1-C-13)
BU-27	Bushing Pad Roller Arm Stud (C1-C-13)
PN-25	Pin Pad Roller Arm Stud Bushing Fastening
C1-C-40	LOWER PAD ROLLER ARM ASSEMBLY (COMPLETE)
C1-C-21	Pad Roller Shaft and Knob
C1-C-41	Lower Pad Roller Arm Stud, Knob and Bushing
AR-21	Arm Lower Pad Roller
BL-18	Ball Pad Roller Arm (2)
NU-8	Nut Pad Roller Adjusting Screw Stop
RO-100	Roller Pad
SC-87	Screw Pad Roller Adjusting
SC-88	Screw Pad Roller Shaft and Knob Retaining
SG-21	Spring Pad Roller Arm Ball (2)
SC-137	Screw Pad Roller Assembly Retaining (Upper & Lower) (2)
C1-C-41	LOWER PAD ROLLER ARM STUD, KNOB AND BUSHING
C1-C-42	Lower Pad Roller Arm Stud and Knob (C1-C-41)
BU-27	Bushing Pad Roller Arm Stud (C1-C-41)
PN-25	Pin Pad Roller Arm Stud Bushing Fastening
C2-D-10	UPPER SPROCKET SHAFT ASSEMBLY (COMPLETE)
GR-10	Gear Sprocket Shaft Driven
SC-89	Screw Sprocket and Gear Fastening (2)
SK-964	Sprocket Upper
ST-2	Shaft Sprocket
C2-D-20	LOWER SPROCKET SHAFT ASSEMBLY (COMPLETE)
GR-10	Gear Sprocket Shaft Driven
SC-89	Screw Sprocket and Gear Fastening (2)
SK-965	Sprocket Lower
ST-2	Shaft Sprocket
H1-D-40	SINGLE SHUTTER SHAFT, BEARINGS, BKTS., & BLADE ASSEMBLY (COMPLETE)
C2-D-41	Single Shutter Blade & Hub (Indoor Theatre)
H1-D-44	Single Shutter Shaft, Ball Bearings, Bracket and Gears
KN-12	Knob Shutter Shaft Indicator
SC-74	Screw Indicator Knob Fastening
SG-16	Spring Shutter Hub Spacing

PART NO.	DESCRIPTION
H2-D-40	SINGLE SHUTTER SHAFT, BEARINGS, BKTS. & BLADE ASSEMBLY (COMPLETE) SAME AS H1-D-40 - <u>EXCEPTION</u> : C3-D-41 Replaces C2-D-41 (FOR DRIVE-IN THEATRE)
SC-137	Screw                      Single Shutter Shaft & Bkt. Assembly Mount. (6)
C1-D-41	SINGLE SHUTTER BLADE AND HUB ASSEMBLY (SPECIAL)
C1-D-48	Single Shutter and Fan Blades (Special) (90 degrees)
C2-D-49	Single Shutter Hub With Clamp Screws
SC-128	Screw                      Single Shutter and Hub Fastening (5)
C2-D-41	SINGLE SHUTTER BLADE AND HUB ASSEMBLY (INDOOR THEATRE)
C2-D-48	Single Shutter & Fan Blades (83° - Standard) (Indoor Theatre)
C2-D-49	Single Shutter Hub With Clamp Screws
SC-128	Screw                      Single Shutter and Hub Fastening (5)
C3-D-41	SINGLE SHUTTER BLADE AND HUB ASSEMBLY (DRIVE-IN THEATRE)
C3-D-48	Single Shutter and Fan Blades (Drive-In)
C2-D-49	Single Shutter Hub With Clamp Screws
SC-128	Screw                      Single Shutter and Hub Fastening (5)
C2-D-42	SHUTTER SHAFT BALL BEARING AND BRACKET ASSEMBLY (FRONT)
BG-9	Bearing                      Ball
BR-186	Bracket                      Ball Bearing (Front) (4" Diam. Lens Mount Mechanism)
SC-127	Screw                      Ball Bearing Retaining (3)
B1-D-43	FIXED SHUTTER GUARD ASSEMBLY (MODEL "B" - CINE-FOCUS)
GD-279	Guard                      Fixed Shutter (For Heat-filter and Holder)
GL-18	Glass                      Spot Sight
HO-5	Holder                      Spot Sight Glass
PN-26	Pin                      Spot Sight Spring
PN-966	Pin                      Shutter Blade Setting
SC-92	Screw                      Spot Sight Glass Holder Fastening (4)
SC-94	Screw                      Heat Filter Retaining Spring Fastening (4)
SG-44	Spring                      Spot Sight Glass Retaining
SG-1995	Spring                      Heat Filter Retaining (2)
H1-D-43	FIXED SHUTTER GUARD ASSEMBLY (REGULAR)
GD-179	Guard                      Fixed Shutter (Regular) (H1-D-43)
GL-18	Glass                      Spot Sight
HO-5	Holder                      Spot Sight Glass
PN-26	Pin                      Spot Sight Spring
PN-647	Pin                      Shutter Blade Setting
SC-92	Screw                      Spot Sight Glass Holder Fastening (4)
SG-44	Spring                      Spot Sight Glass Retaining

USE CENTURY GEAR-LUBRICANT-A LITTLE IS AS GOOD AS A LOT..

PART NO.	DESCRIPTION	
H1-D-44	SINGLE SHUTTER SHAFT, BALL BEARINGS, GEARS AND BRACKET ASSEMBLY	
C2-D-42	Shutter Shaft Ball Bearing and Bracket (Front)	
C1-D-45	Single Shutter Shaft Ball Bearing and Bracket (Rear)	
CL-128	Collar	Ball Bearing Thrust (Rear)
GR-7	Gear	Shutter Shaft Driven (Steel)
RT-61	Retainer	Ball Bearing Thrust Washer (2)
RT-62	Retainer	Ball Bearing Pressure Spring (Front)
SC-23	Screw	Thrust Collar Fastening
SC-81	Screw	Shutter Shaft Driven Gear Fastening
SG-68	Spring	Ball Bearing Pressure (Front)
ST-1397	Shaft	Shutter
WA-130	Washer	Ball Bearing Thrust (Neoprene) (2)
WA-131	Washer	Ball Bearing Thrust (Steel) (2)
C1-D-45	SINGLE SHUTTER BALL BEARING AND BRACKET ASSEMBLY (REAR)	
BG-9	Bearing	Ball
BR-14	Bracket	Ball Bearing (Single Shutter) (Rear)
SC-127	Screw	Ball Bearing Retaining (4)
B1-D-46	SHUTTER GUARD ASSEMBLY (COMPLETE) (MODEL "B" - CINE-FOCUS)	
B1-D-43	Fixed Shutter Guard (Model "B" - Cine-Focus)	
GD-245	Guard	Removable Shutter (Rear)
HD-76	Hood	Light
SC-679	Screw	Removable Shutter Guard Fastening (Drive-side) (2)
SC-1265	Screw	Light Hood Fastening (3)
SC-1521	Screw	Removable Shutter Guard Fastening (2)
H1-D-46	SHUTTER GUARD ASSEMBLY (COMPLETE) (REGULAR)	
H1-D-43	Fixed Shutter Guard (Regular)	
GD-245	Guard	Removable Shutter (Rear)
HD-76	Hood	Light
SC-679	Screw	Removable Shutter Guard Fastening (Drive-Side) (2)
SC-1265	Screw	Light Hood Fastening (3)
SC-1521	Screw	Removable Shutter Guard Fastening (Rear) (2)
SC-1109	Screw	Fixed Shutter Guard Mounting (4)
C1-D-48	SINGLE SHUTTER AND FAN BLADE ASSEMBLY (SPECIAL (90°))	
BD-26	Blade	Shutter Fan (2)
BD-31	Blade	Single Shutter (Special) (90°)
SC-94	Screw	Shutter & Fan Blade Fastening (6)
C2-D-48	SINGLE SHUTTER AND FAN BLADE ASSEMBLY (INDOOR)	
BD-26	Blade	Shutter Fan (2)
BD-228	Blade	Single Shutter (83°) (Standard) (Indoor)
SC-94	Screw	Shutter and Fan Blade Fastening (6)
C3-D-48	SINGLE SHUTTER AND FAN BLADE ASSEMBLY (DRIVE-IN)	
BD-26	Blade	Shutter Fan (2)
BD-229	Blade	Single Shutter (Drive-In)
SC-94	Screw	Shutter and Fan Blade Fastening (6)

PART NO.	DESCRIPTION
C2-D-49	SINGLE AND DOUBLE SHUTTER (OUTER) HUB ASSEMBLY
HB-44	Hub Shutter (C2-D-49)
SC-574	Screw Shutter Hub Clamp (2)
H3-D-50	DOUBLE SHUTTER SHAFT, BEARINGS-BKTS & BLADE ASSEMBLY (COMPLETE)
C4-D-51	Shutter Blade and Hub (Inner) (DDS) (Indoor)
C4-D-52	Shutter Blade and Hub (Outer) (DDS) (Indoor)
H1-D-54	Double Shutter Shaft Ball Bearings, Brackets and Gears
KN-12	Knob Shutter Shaft Indicator
SA-2044	Spacer Shutter Hub
SC-74	Screw Indicator Knob Fastening
SG-16	Spring Shutter Hub Spacing
H4-D-50	DOUBLE SHUTTER SHAFT, BEARINGS, BRACKETS, GEARS-BLADE ASSEMBLY SAME AS H3-D-50 - <u>EXCEPTION</u> : C5-D-51 & C5-D-52 REPLACES C4-D-51 & C4-D-52 (FOR DRIVE-IN THEATRE)
SC-137	Screw Double Shutter Shaft Assembly Mounting (Front) (2)
SC-1116	Screw Double Shutter Shaft Assembly Mount. (Allen) (Rear) (4)
C4-D-51	DOUBLE SHUTTER BLADE AND HUB ASSEMBLY (INNER) (INDOOR)
C2-D-56	Double Shutter Hub and Clamp Screws (Inner)
C2-D-59	Double Shutter and Fan Blades (Inner) (DDS) (Indoor)
SC-128	Screw Shutter and Hub Fastening (5)
C5-D-51	DOUBLE SHUTTER BLADE AND HUB ASSEMBLY (INNER) (DRIVE-IN)
C2-D-56	Double Shutter Hub and Clamp Screw (Inner)
C4-D-58	Double Shutter & Fan Blades (Inner) (DDS) (Drive-In)
SC-128	Screw Shutter and Hub Fastening (5)
C4-D-52	DOUBLE SHUTTER BLADE AND HUB ASSEMBLY (OUTER) (INDOOR)
C2-D-49	Double Shutter Hub and Clamp Screws
C2-D-58	Double Shutter and Fan Blades (Indoor) (DDS) (Outer)
SC-128	Screw Shutter and Hub Fastening (5)
C5-D-52	DOUBLE SHUTTER BLADE AND HUB ASSEMBLY (OUTER) (DRIVE-IN)
C2-D-49	Shutter Hub and Clamp Screws (Outer)
C4-D-59	Double Shutter and Fan Blades (Outer) (DDS) (Drive-in)
SC-128	Screw Shutter And Hub Fastening (5)
C1-D-53	DOUBLE SHUTTER BALL BEAR. & BRACKET ASSEMBLY (REAR-OUTER) (STYLE 1)
BG-11	Bearing Ball (Matched Pair (Rear-Outer)
BR-15	Bracket Double Shutter Shaft Ball Bearing (Rear-Outer)
SC-127	Screw Ball Bearing Retaining (4)
C2-D-53	DOUBLE SHUTTER BALL BEAR. & BRACKET ASSEMBLY (REAR-OUTER) (STYLE 2)
BG-6	Bearing Ball (2)
BR-15	Bracket Ball Bearing
SA-2043	Spacer Ball Bearing Distance
SC-127	Screw Ball Bearing Retaining (4)

PART NO.	DESCRIPTION	
H1-D-54	DOUBLE SHUTTER SHAFT, BALL BEARINGS, GEARS & BRACKETS ASSEMBLY	
C2-D-42	Shutter Shaft Ball Bearing & Bracket (Front)	
C2-D-55	Double Shutter Intermediate Shaft, Gears, Ball Bearings & Bracket	
CL-128	Collar	Shutter Shaft Ball Bearing Thrust (Rear)
GR-7	Gear	Shutter Shaft Driven (Steel)
RT-61	Retainer	Ball Bearing Thrust Washer (2)
RT-62	Retainer	Ball Bearing Front Pressure Spring
SC-23	Screw	Ball Bearing Thrust Collar Fastening
SC-81	Screw	Shutter Shaft Driven Gear Fastening
SG-68	Spring	Ball Bearing Front Pressure
ST-1397	Shaft	Shutter (Direct)
WA-130	Washer	Ball Bearing Thrust (Neoprene) (2)
WA-131	Washer	Ball Bearing Thrust (Steel) (2)
C2-D-55	INTERMEDIATE SHUTTER SHAFT BALL BEARINGS, GEAR & BRACKETS	
C2-D-53	Direct Shutter	Ball Bearing & Bracket (Outer-Rear) (Style 2)
BG-9	Bearing	Direct Shutter Shaft - Intermediate Bracket Ball
BG-10	Bearing	Intermediate Shutter Shaft Ball (2)
BR-16	Bracket	Intermediate Shutter Shaft
CL-35	Collar	Intermediate Shutter Shaft Ball Bearing Thrust
CL-747	Collar	Inner Shutter Spacer
GR-7	Gear	Intermediate Shutter Shaft Driven (Steel)
GR-13	Gear	Double Shutter Reverse Driven (Steel)
GR-72	Gear	Double Shutter Reverse Drive (Formica)
SC-81	Screw	Intermediate Shutter Shaft Steel Gear Fastening
SC-89	Screw	Intermediate Shutter Shaft Collar & Formica Gear (2)
SC-112	Screw	Direct/Intermed. Shutter Shaft Ball Bearing Retainer (3)
SC-131	Screw	Ball Bearing Retaining (3)
SC-2048	Screw	Inner Shutter Spacer Collar (2)
SG-86	Spring	Intermediate Shaft Ball Bearing Thrust
ST-765	Shaft	Intermediate Shutter
WA-5	Washer	Intermediate Shutter Shaft Thrust (Fibre)
WA-9	Washer	Reverse Shutter Steel Gear Thrust (Steel)
WA-17	Washer	Intermediate Shutter Shaft Thrust (Steel) (2)
WA-254	Washer	Intermediate Shutter Shaft Thrust (Steel)
SC-137	Screw	Intermediate Bracket Mounting (4)
TU-235	Tube	Century Gear-Lubricant (4 oz. tube)
C2-D-56	REVERSE DOUBLE SHUTTER HUB ASSEMBLY (INNER)	
HB-45	Hub	Reverse Shutter (Inner) (C2-D-56)
SC-574	Screw	Reverse Shutter Hub Clamp (2)
C2-D-58	DOUBLE SHUTTER AND FAN BLADES (OUTER) (DDS) (INDOOR)	
BD-26	Blade	Shutter Fan (2)
BD-1084	Blade	Shutter (OUTER) (DDS) (INDOOR)
SC-94	Screw	Shutter and Fan Blade Fastening (6)
C4-D-58	DOUBLE SHUTTER AND FAN BLADES (INNER) (DDS) (DRIVE-IN)	
BD-1087	Blade	Shutter (INNER) (DDS) DRIVE-IN)
BD-1101	Blade	Shutter Fan (2)
SC-94	Screw	Shutter/Fan Blade Fastening (4)

PART NO.	DESCRIPTION	
C2-D-59	DOUBLE SHUTTER AND FAN BLADES (INNER) (DDS) (INDOOR)	
BD-26	Blade	Shutter Fan (2)
BD-1085	Blade	Shutter (Inner) (DDS)
SC-94	Screw	Shutter/Fan Blade Fastening (6)
C4-D-59	DOUBLE SHUTTER AND FAN BLADE (OUTER) (DDS) (DRIVE-IN)	
BD-1086	Blade	Double Shutter (Outer)(DDS) (Drive-in)
BD-1101	Blade	Shutter Fan (2)
SC-94	Screw	Shutter/Fan Blade Fastening (4)
C1-D-60	AUTOMATIC FIRE SHUTTER ASSEMBLY	
C1-D-64	Fire Shutter Arm & Shaft	
BG-17	Bearing	Fire Shutter Dowser Pivot (Casting)
CK-11	Crank	Fire Shutter
SC-72	Screw	Fire Shutter Weight Fastening
SC-95	Screw	Fire Shutter Crank Fastening (2)
SC-97	Screw	Fire Shutter Lifting Stud
SU-26	Stud	Fire Shutter Lifting (Fibre)
WA-241	Washer	Fire Shutter
WT-8	Weight	Fire Shutter
SC-137	Screw	Fire Shutter Assembly Mounting (2)
A1-D-70	LIGHT SHIELD ASSEMBLY (COMPLETE)(STAND. & WATER COOL MECHANISMS)	
SC-51	Screw	Light Shield Mounting (2)
SD-1799	Shield	Light (A1-D-70)
A1-E-10	FILM TRAP ASSEMBLY (COMPLETE)	
A1-E-12	Lateral Guide Rollers, Spring & Retainer	
A1-E-13	Spring Shoe Retaining Block and Pin (2)	
BL-701	Ball	Retaining
CM-685	Cam	Film Trap Spring Shoe Adjusting Eccentric
GU-16	Guide	Film Trap (Inner & Outer) (2)
KN-70	Knob	Spring Shoe Tension Adjustment
PE-518	Plate	Aperture (600 x 825)
PN-519	Pin	Aperture Plate Stop
PN-824	Pin	Shoe Tension Adjusting Knob Stop
PT-33	Pivot	Lateral Guide Roller Assembly (2)
RD-281	Rod	Spring Shoe Retaining Block Support
RD-282	Rod	Eccentric Cam
RI-296	Ring	Cam & Support Rod Retaining (3)
SC-128	Screw	Film Trap Guide Fastening (4)
SC-134	Screw	Lateral Guide Roller Assembly Pivot Retaining (2)
SC-578	Screw	Adjusting Knob Fastening
SC-674	Screw	Spring Shoe & Aperture Retaining Spring Fastening (8)
SC-706	Screw	Retaining Ball
SC-1800	Screw	Film Trap Retaining Thumb
SC-1843	Screw	Eccentric Cam Fastening
SG-1484	Spring	Aperture Plate Retaining (2)
SG-1802	Spring	Film Trap Eccentric Tension Control (Flat)
SG-1817	Spring	Retaining Ball
SH-1811	Shoe	Film Trap Spring (2)
TP-170	Trap	Film
WA-245	Washer	Film Trap Spring Shoe Fastening Screw Lock (Top) (2)

PART NO.	DESCRIPTION	
A1-E-12	LATERAL GUIDE ROLLER ASSEMBLY (COMPLETE)	
RI-79	Ring	Lateral Guide Roller Pressure Spring Retaining
RO-283	Roller	Lateral Guide (Inner)
RO-284	Roller	Lateral Guide (Outer)
SG-124	Spring	Lateral Guide Roller Pressure
A1-E-40	FILM GATE ASSEMBLY (COMPLETE) (MODEL A)	
A1-E-41	Film Gate Plate & Studs	
PA-853	Pad	Film Gate
SC-114	Screw	Film Gate Pad Fastening (2)
B1-E-40	FILM GATE ASSEMBLY (COMPLETE) (MODEL B CINE-FOCUS)	
A1-E-41	Film Gate Plate and Studs	
PA-853	Pad	Film Gate
SA-1980	Spacer	Film Gate (Upper)
SA-1981	Spacer	Film Gate (Lower)
SC-1956	Screw	Pad and Spacer Fastening (2)
A1-E-70	FILM TRAP SUPPORT & HEAT SHIELD ASSEMBLY (STANDARD)	
G1-255	Gib	Film Trap Support
SA-1942	Spacer	Heat Shield Mounting (4)
SC-1842	Screw	Heat Shield Fastening (4)
SC-2047	Screw	Film Trap Support Gib Fastening (3)
SD-1808	Shield	Heat (Asbestos)
SO-1804	Support	Film Trap
WA-88	Washer	Film Trap Support Gib Fastening Screw (3)
A2-E-70	FILM TRAP SUPPORT/WATER CELL ASSEMBLY (COMPLETE)	
A1-E-71	Film Trap Support/Water Cell With Tubes & Connector Block	
GI-255	Gib	Film Trap Support/Water Cell
SC-2047	Screw	Film Trap Support/Water Cell Gib Fastening (3)
WA-88	Washer	Film Trap Support/Water Cell Gib Fastening Screw (3)
SC-81	Screw	Water Cell Tube Connecting Block Fastening
SC-137	Screw	Film Trap Support/Water Cell Mounting (3)
<b>APERTURE PLATES (STANDARD &amp; WATER COOLED) (MODELS SA/DA-SB/DB)</b>		
PE-518	1.375:1 Standard	600 x .825
PE-518-E1	-----	Blank
PE-518-E2	-----	Pin Hole
PE-518-E3	2:1 (Wide Screen)	.412 x .825
PE-518-E4	1.85:1 Standard	.445 x .825
PE-518-E5	1.75:1 Standard	.470 x .825
PE-518-E6	1.66:1 Standard	.495 x .825
PE-518-E7	1.375:1 Undersize	.581 x .703
PE-518-E8	1.85:1-1.75:1 Undersize	.420 x .800
PE-518-E9	1.66:1 Undersize	.470 x .800
PE-518-E12	Anamorphic C.S. 2.35:1	.715 x .825
PE-518-E13	Anamorphic C.S. 2.35:1 Undersize	.675 x .800
PE-518-E14	Anamorphic 2:1	.715 x .715
PE-518-E15	Anamorphic 2:1 Undersize	.650 x .650
PE-518-E16	Anamorphic 2.35:1 Undersize	.650 x .775



PART NO.	DESCRIPTION	
C1-G-22	GOVERNOR WEIGHT ASSEMBLY	
HO-3	Holder	Governor Link (Lower)
HO-4	Holder	Governor Link (Upper)
LI-3	Link	Governor Weight (4)
SC-95	Screw	Upper Governor Link Holder Fastening
SC-135	Screw	Governor Weight Holder Link (Short) (4)
SC-136	Screw	Governor Weight Link (Long) (4)
SV-42	Sleeve	Governor Weight Stop
WT-6	Weight	Governor (Balanced Pair)
C2-G-23	VERTICAL SHAFT INTERMITTENT DRIVE BALL BEARING AND BRACKET	
BG-6	Bearing	Intermittent Drive Ball
BR-872	Bracket	Intermittent Drive Ball Bearing
PE-825	Plate	Intermittent Drive Ball Bearing Retaining (Steel)
RI-276	Ring	Ball Bearing Retaining (Neoprene)
SC-1763	Screw	Ball Bearing Retaining Plate Fastening (3)
WA-239	Washer	Ball Bearing Retaining (Neoprene) (2)
C1-G-31	VERTICAL SHAFT BALL BEARING AND BRACKET (UPPER & LOWER)	
BG-9	Bearing	Vertical Shaft Ball
BR-20	Bracket	Vertical Shaft Ball Bearing (Upper & Lower)
SC-127	Screw	Vertical Shaft Ball Bearing Retaining (3)
C3-G-90	VERTICAL SHAFT AND GOVERNOR ASSEMBLY (COMPLETE) (DOUBLE SHUTTER)	
C3-G-100	Vertical Shaft and Governor Assembly	
GR-207	Gear	Intermediate Shutter Drive (Formica)
SC-574	Screw	Shutter Drive Gear Fastening
M3-G-90	VERTICAL SHAFT AND GOVERNOR ASSEMBLY (MODEL DA) (DIRECT DRIVE)	
M3-G-100	Vertical Shaft and Governor Assembly (Direct Drive)	
GR-207	Gear	Intermediate Shutter Drive (Formica)
SC-574	Screw	Intermediate Shutter Drive Gear Fastening
C2-G-92	INTERMITTENT DRIVE GEAR, BALL BEARING, BRACKET AND NUT	
C2-G-23	Vertical Shaft-Intermittent Drive Ball Bearing and Bracket	
C1-G-24	Intermittent Drive Gear Nut (Includes PG-13 & SC-63)	
GR-234	Gear	Intermittent Drive (Formica)
WA-9	Washer	Ball Bearing
C3-G-100	VERTICAL SHAFT AND GOVERNOR ASSEMBLY (COMPLETE) (SINGLE SHUTTER)	
C1-G-22	Governor Weight Assembly	
C1-G-31	Ball Bearing and Bracket (Upper and Lower) (2)	
C1-G-44	Upper Thrust Collar (Includes PG-13 & SC-63)	
C2-G-91	Vertical Shaft and Key (KY-53)	
C2-G-92	Intermittent Drive Gear, Ball Bearing, Bracket and Nut	
CL-28	Collar	Lower Ball Bearing Oil Protector
GR-4	Gear	Vertical Shaft Lower Driven (Steel) (Standard)
GR-5	Gear	Vertical Shaft Sprocket Drive (Steel) (2)
GR-207	Gear	Shutter Drive (Formica)
RT-61	Retainer	Ball Bearing Thrust Washer (Upper)
SC-81	Screw	Vertical Shaft Steel Gears Fastening (3)
	→ C3-G-100 Assembly - Continued on Next Page	

PART NO.	DESCRIPTION	
C3-G-100	VERTICAL SHAFT AND GOVERNOR ASSEMBLY (SINGLE SHUTTER) (CONTINUED)	
SC-574	Screw	Shutter Drive Gear Fastening
WA-3	Washer	Vertical Shaft Thrust (Fibre) (2)
WA-10	Washer	Vertical Shaft Thrust (Steel)
WA-14	Washer	Vertical Shaft Thrust Spring (2)
WA-130	Washer	Ball Bearing Thrust (Neoprene) (Upper)
WA-131	Washer	Ball Bearing Thrust (Steel) (Upper)
M3-G-100	VERTICAL SHAFT & GOVERNOR ASSEMBLY (SINGLE SHUTTER) (DIRECT-DRIVE)	
C1-G-22	Governor Weight Assembly	
C1-G-31	Vertical Shaft Ball Bearing & Bracket (Upper & Lower) (2)	
C1-G-44	Vertical Shaft Upper Thrust Collar (Includes PG-13 & SC-63)	
C2-G-91	Vertical Shaft & Key (KY-53)	
C2-G-92	Intermittent Drive Gear, Ball Bearing, Bracket & Nut	
CL-28	Collar	Lower Ball Bearing Oil Protector
GR-5	Gear	Vertical Shaft Sprocket Drive (Steel) (2)
GR-182	Gear	Vertical Shaft Lower Driven (Steel) (Direct Drive)
GR-207	Gear	Vertical Shaft Shutter Drive (Formica)
RT-61	Retainer	Ball Bearing Thrust Washer (Upper)
SC-81	Screw	Vertical Shaft Steel Gears Fastening (3)
SC-574	Screw	Vertical Shaft Shutter Drive Gear Fastening
WA-3	Washer	Vertical Shaft Thrust (Fibre) (2)
WA-10	Washer	Vertical Shaft Thrust (Steel)
WA-14	Washer	Vertical Shaft Thrust (Spring ) (2)
WA-130	Washer	Ball Bearing Thrust (Neoprene) (Upper)
WA-131	Washer	Ball Bearing Thrust (Steel) (Upper)
GR-288	Gear	Vertical Shaft Lower Driven (Formica) (Direct Drive) (Special)
SC-3	Screw	Lower Driven Gear (GR-288) Fastening
SC-143	Screw	Vertical Shaft Assembly Mount (4)
C1-G-110	MAIN DRIVE ASSEMBLY (COMPLETE) (STANDARD DRIVE)	
BG-6	Bearing	Main Drive Shaft Ball (2)
GR-8	Gear	Main Drive (Formica)
SC-743	Screw	Main Drive Gear Fastening (2)
ST-744	Shaft	Main Drive
WA-127	Washer	Main Drive Gear Thrust (2)
M3-G-110	MAIN DRIVE SHAFT ASSEMBLY (COMPLETE) (DIRECT DRIVE)	
BG-6	Bearing	Main Drive Shaft Ball (2)
GR-183	Gear	Main Drive (Formica) (Direct Drive)
SC-743	Screw	Main Drive Gear Fastening (2)
ST-744	Shaft	Main Drive
WA-127	Washer	Main Drive Gear Thrust (2)
GR-271	Gear	Main Drive (Steel) (Direct Drive) (Special)
H1-T-10	KIT FOR REVERSING FILM OPERATION IN A CENTURY PROJECTOR	
C2-E10	Film Trap Assembly (Straight Type)	
H1-T-11	Intermittent Sprocket Pad Assembly (Reversing Long Pad)	
H1-T-20	Film Gate Assembly (Straight Type) (Reversing Long Pad)	
H1-D-70	Asbestos Cooling Plates and Light Shield Assembly	

PART NO.	DESCRIPTION	
H1-T-11	INTERMITTENT SPROCKET PAD ASSEMBLY (REVERSING PADS)	
PA-912	Pad	Intermittent Sprocket (Reversing Type) (Inner)
PA-913	Pad	Intermittent Sprocket (Reversing Type) (Outer) (2)
SA-33	Spacer	Intermittent Sprocket Pad (4)
SC-877	Screw	Intermittent Sprocket Pad Fastening (4)
WA-151	Washer	Intermittent Sprocket Pad Fastening Screw Lock Washer (4)
C2-T-12	SOUND GUIDE ROLLER ASSEMBLY (SPECIAL)	
RO-100	Roller	Pad
RT-8	Retainer	Ball Bearing
SC-127	Screw	Pad Roller Retaining
SU-53	Stud	Pad Roller
H1-T-20	FILM GATE ASSEMBLY (STRAIGHT) (COMPLETE) (PAD FOR REVERSING)	
C1-E-41	Film Gate Plate and Studs	
NU-83	Nut	Adjusting Spring (2)
PA-911	Pad	Film Gate (Special) (For Reversing)
PE-180	Plate	Film Gate Pad Retaining Spring (2)
SC-709	Screw	Film Gate Pad Retaining Spring Fastening (4)
SC-1551	Screw	Film Gate Pad Retaining Spring Plate Fastening (4)
SG-685	Spring	Film Gate Pad Retaining (2)
SG-1352	Spring	Film Gate Pad Adjusting (2)
SU-1353	Stud	Film Gate Pad Adjusting Spring Retaining (2)
C1-T-21	LOWER PAD ROLLER ARM ASSEMBLY (WE209/211 REPRODUCER)	
C1-C-13	Pad Roller Arm Stud, Knob and Bushing	
C1-C-21	Pad Roller Shaft and Knob	
AR-6	Arm	Lower Pad Roller (Special)
BL-18	Ball	Pad Roller Arm (2)
NU-8	Nut	Pad Roller Adjusting Screw Stop
RO-100	Roller	Pad
SC-87	Screw	Pad Roller Adjusting
SC-88	Screw	Pad Roller Shaft and Knob Fastening
SG-21	Spring	Pad Roller Arm (2)
C1-T-22	LOWER SPROCKET STRIPPER (WE 209/211 SOUND REPRODUCER)	
SC-129	Screw	Stripper Retaining
SP-93	Stripper	Lower Sprocket (C1-T-22)
C1-T-31	DRIVE-SIDE DOOR ASSEMBLY (SPECIAL)	
C1-A-15	Door Lock Spring Shank and Button	
DO-5	Door	Drive-Side
KN-47	Knob	Door (With Fastening Screw)
LI-7	Link	Door Stop
SB-60	Stop	Door Closing (Felt) (2)
SC-70	Screw	Door Hinge Fastening (6)
SC-123	Screw	Door Lock Spring Shank and Button Fastening (2)
SC-226	Screw	Door Stop Link
C1-T-40	CONVERSION KIT (WESTERN ELECTRIC UNIVERSAL BASE REPRODUCER)	
C2-T-12	Sound Guide Roller	
C1-T-41	Main Drive Sleeve & Coupling (SC-119, Gear Fastening Screws) (2)	

PART NO.	DESCRIPTION	
ST-820	Main Drive Shaft for W. E. 7400 Sound Reproducer	
ST-821	Main Drive Shaft for Motiograph 7500 Sound Reproducer	
ST-828	Main Drive Shaft for Ballantyne model 6/8 Soundheads	
	<u>Note:</u>	With Ballantyne RSM-64C, 34 Tooth Drive Gear use ST-744, Standard Main Drive Shaft. Use ST-828 Shaft only with
	↗	Ballantyne Old Style 5/8" Bore Drive Gear.
W1-T-100	LOWER MAGAZINE DRIVE MOTOR ASSEMBLY (SPECIAL)	
BR-968	Bracket	Motor Mounting
CN-708	Connector	Squeeze (1/2")
MO-48	Motor	Geared Drive
NU-8	Nut	Drive Motor Assembly Fastening Screw (3)
PE-907	Plate	Motor Rubber
PE-909	Plate	Squeeze Connector Mounting
PE-1012	Plate	Motor Bracket Mounting
PY-900	Pulley	Take-Up Drive Motor
SC-78	Screw	Drive Motor Bracket Mounting (3)
SC-582	Screw	Drive Motor Fastening (4)
SC-902	Screw	Drive Pulley Fastening
SC-2062	Screw	Drive Motor Assembly Fastening (3)
WA-77	Washer	Motor Fastening Screw (8)
WA-78	Washer	Drive Motor Assembly Fastening Screw (3)
WA-247	Washer	Motor Fastening Screw (Rubber) (4)
BE-969	Belt	Take-up of Drive Motor
N1-T-103	CINE-FOCUS AIR PUMP ASSEMBLY	
CN-708	Connector	Squeeze (1/2")
CP-721	Clamp	Hose Retaining (2)
FT-130	Foot	Air Pump Mounting (4)
HE-111	Hose	Air Pump (5 Feet)
PE-954	Plate	Air Pump Mounting
PM-953	Pump	Air (Includes MO-59 Motor & FI-132 Dust Filter)
SC-608	Screw	Mounting Foot Fastening (4)
SC-1477	Screw	Air Pump Fastening (4)
WA-70	Washer	Air Pump Fastening Screw (4)
FI-132	Filter	Air Pump Dust
MO-59	Motor	Cine-Focus Air Pump
C1-T-154	ADAPTER AND COUPLING FOR WATER HOSE CONNECTOR	
AD-51	Adapter	Water Hose Connection (#836-1/4" Male)
CG-134	Coupling	Water Hose Connection (1805-1/4" Coupling)
C1-T-155	COPPER TUBING MALE COMPRESSION (1/4"x1/4" MALE)	
C1-T-160	LENS ADAPTER & CLAMP SCREW (FOR 2 25/32 LENSES)	
BU-193	Bushing	Lens (Includes PE-1040 Rubber Plate) (C1-T-160)
SC-574	Screw	Lens Bushing Clamp (2)

PART NO.	DESCRIPTION
C1-T-190	CONVERSION KIT (WESTERN ELECTRIC 208 REPRODUCER)
C2-T-12	Sound Guide Roller
C1-T-31	Drive-Side Door (Special)
CR-8	Cover Drive-Side (Lower) (Special)
GR-80	Gear Projector Drive (Formica) (Special)
SA-795	Spacer Projector Drive Gear
SC-796	Screw Projector Drive Gear Fastening (6)
C1-T-200	CONVERSION KIT (WESTERN ELECTRIC 206 REPRODUCER)
C2-T-12	Sound Guide Roller
C1-T-31	Drive-Side Door (Special)
C1-T-111	Spilt Pulley & Fastening Screws
CR-8	Cover Drive-Side (Lower) (Special)
GR-80	Gear Projector Drive (Formica) (Special)
SA-799	Spacer Projector Drive Gear
SC-796	Screw Projector Drive Gear Fastening (6)
C1-T-210	CONVERSION KIT (WESTERN ELECTRIC 209/211A REPRODUCER)
C2-T-12	Sound Guide Roller
C1-T-21	Lower Pad Roller Arm Assembly (Special)
C1-T-22	Lower Sprocket Stripper (Special)
ST-809	Shaft Main Drive (Special)
C6-T-360	WATER RECIRCULATOR ASSEMBLY (60 CYCLE)
C1-T-361	Motor Cover
C6-T-362	Water Drum Cover & Pump
DR-107	Drum Water (10 Gallon) (Height 16 3/4 - Top Opening 13 7/8)
SC-812	Screw Motor Cover Fastening (2)
C1-T-154	Water Hose Adapter and Coupling Connection
C1-T-155	Copper Tubing Male Compression Connector
HE-63	Hose Water (Specify Number of Feet Required)
C1-T-361	WATER RECIRCULATOR MOTOR COVER ASSEMBLY
CN-91	Connector Squeeze
CR-189	Cover Motor
LP-34	Lamp Pilot (4 Watt - 120 Volt)
LT-33	Light Socket (Jewel)
SW-596	Switch Pilot Light & Motor (Short Neck)
WA-138	Washer Pilot Light Socket Lock



PART NO.	DESCRIPTION
C6-T-362	WATER RECIRCULATOR DRUM COVER AND PUMP ASSEMBLY
C1-T-223	Compression Union Assembly
C6-T-363	Water Recirculator Drum Cover and Bracket
CN-132	Connector Compression (Female) (2)
IM-15	Impeller Water Pump
MO-26	Motor Water Recirculator Pump (60 Cycle)
NU-53	Nut Gland (2)
NU-54	Nut Gland Fastening Screw (2)
NU-69	Nut Motor Fastening Screw (2)
PG-206	Plug Button
PM-572	Pump Water Recirculator
SC-1138	Screw Impeller Fastening
SV-779	Sleeve Compression (2)
TU-78	Tube Inlet Water
TU-151	Tube Water
WA-139	Washer Gland Nut (4)
C2-T-401	FRONT SUPPORT FOR Long LENSES AND ANAMORPHIC ATTACHMENTS (SMALL)
C2-T-402	Lens Support and Rod (Small)
BK-294	Block Lens Support and Rod Holding
NU-65	Nut Sliding Rod Mounting
RD-107	Rod Sliding (Long)
SC-1019	Screw Holding Block (2)
WA-165	Washer Sliding Rod Mounting Screw
C3-T-401	FRONT SUPPORT FOR LONG LENSES AND ANAMORPHIC ATTACHMENTS (LARGE)
C3-T-402	Lens Support & Rod (Large)
BK-294	Block Lens Support & Rod Holding
NU-65	Nut Sliding Rod Mounting
RD-107	Rod Sliding (Long)
SC-1019	Screw Holding Block (2)
WA-165	Washer Sliding Rod Mounting Screw
	REFERENCE: DRAWING E-1582-1 (INSTALLATION FRONT LENS SUPPORT)
C1-T-490	LENS LOCATE RING AND STUD ASSEMBLY
RI-69	Ring Lens Locate (C1-T-490)
SC-574	Screw Lens Locate Ring Clamp
SU-995	Stud Lens Locate Ring Guide
C1-T-520	CONVERSION KIT (FOR BALLANTYNE MODEL 9 SOUND REPRODUCER)
SA-895	Spacer Projector Drive Gear
SC-81	Screw Projector Drive Gear Fastening (5)
SC-896	Screw Projector Drive Gear Spacer Fastening (3)
WA-64	Washer Projector Drive Gear Fastening Screw Lock (5)
WA-78	Washer Projector Drive Gear Fastening Screw (5)

PARTS AND ASSEMBLIES FOR FORMER MODELS  
CENTURY PROJECTOR MECHANISMS (C/CC - H/HH)

PART NO.	DESCRIPTION
C1-A-44	FILM GATE SUPPORT AND TUBE (2 25/32 LENS HOLDER)
C4-A-60	4" DIAM. LENS MOUNT ASSEMBLY (COMPLETE) (C/CC MECH.) (STYLE 1)
C1-A-61	Focusing Screw/Shaft and Collar
C2-A-63	Film Gate Support & Tube (4" Diameter Lens Mount) (Style 1)
C1-A-64	Lens Tube Clamp Bracket and Pin (Front)
C1-A-65	Lens Tube Clamp Bracket & Pin (Rear)
C1-A-66	Film Gate Open and Close Housing and Knob
BR-191	Bracket Focusing Screw Retaining
BR-670	Bracket Lens Holder
EC-20	Eccentric Film Gate Alignment
KN-45	Knob Lens Focus
KN-52	Knob Lens Clamp Screw/Shaft
NU-77	Nut Lens Focus Screw Stop
PG-301	Plug Focus Screw Retaining Bracket
SC-72	Screw Focus and Clamp Knob Fastening (2)
SC-82	Screw Lens Clamp Bracket Stop
SC-131	Screw Film Gate Open and Close Knob Assembly Retaining (2)
SC-144	Screw Film Gate Retaining Thumb
SC-678	Screw Focus Screw Retaining Bracket Plug
SC-800	Screw Lens Clamp Shaft/
SC-806	Screw Lens Tube Clamp Bracket and Focus Shaft Fastening (8)
SC-1078	Screw Film Gate Alignment Eccentric Lock
SG-21	Spring Lens Tube Clamp Bracket Pressure
SG-999	Spring Focus Screw/Shaft Retaining Bracket
TU-60	Tube Lens (Front)
WA-163	Washer Focus Screw/Shaft Thrust (2)
WA-186	Washer Focus Screw/Shaft Nut Lock
FL-55	Flange Lens Tube (Front)
SC-137	Screw Lens Holder and Film Gate Bracket Retaining (4)
SC-661	Screw Flange (Front) Fastening (6)
C1-A-66	FILM GATE OPEN & CLOSE LOCK KNOB ASSEMBLY (C/CC)
C1-A-67	Film Gate Lock Shaft & Pin
KN-27	Knob Film Gate Open and Close Lock
LO-1	Lock Film Gate Open and Close (Housing)
SC-99	Screw Film Gate Knob Retaining
SG-14	Spring Film Gate Open and Close Pressure
WA-135	Washer Film Gate Lock Shaft



PARTS AND ASSEMBLIES FOR FORMER MODELS  
CENTURY PROJECTOR MECHANISMS (C/CC - H/HH)

PART NO.	DESCRIPTION
C2-BB-30	INTERMITTENT MOVEMENT ASSEMBLY (COMPLETE) (MODELS C/CC)
C1-BB-16	Intermittent Cover and Bushings
C1-BB-17	Intermittent Case and Bushings
C1-BB-26	Intermittent Sprocket Pad and Arm
C1-BB-31	Cam Thrust Bearing and Bracket
CL-24	Collar Starwheel Shaft Thrust Outer
CM-29	Cam Intermittent (Includes PN-31)
GA-17	Gasket Intermittent Case-Cover Oil
GR-7	Gear Cam Shaft Driven (Steel)
PE-38	Plate Stop (Large)
PE-40	Plate Stop (Small)
PN-30	Pin Intermittent Sprocket Taper (2)
PN-31	Pin Intermittent Cam
SA-1321	Spacer Cam Thrust Bracket
SC-3	Screw Flywheel Fastening
SC-39	Screw Starwheel and Cam Adjusting (2)
SC-69	Screw Cam Thrust Bracket
SC-81	Screw Cam Shaft Gear Fastening
SC-103	Screw Starwheel Outer Thrust Collar Fastening (2)
SC-104	Screw Intermittent Cover to Case Fastening (4)
SC-134	Screw Stop Plate
SC-155	Screw Intermittent Sprocket Pad Assembly Retaining
SC-1010	Screw Intermittent Cover Oil Drain
SK-1018	Sprocket Intermittent (Includes PN-30)
SX-107	Starwheel Intermittent
WA-12	Washer Cover Oil Drain Screw (Copper)
WA-65	Washer Cover Fastening and Oil Drain Screw (Steel) (5)
WA-126	Washer Cover Oil Drain Screw (Fibre)
WH-124	Flywheel Intermittent
C1-BB-16	INTERMITTENT COVER AND BUSHINGS
BU-28	Bushing Starwheel Shaft (Oilite) (Outer)
BU-34	Bushing Starwheel Shaft (Inner)
CR-3	Cover Intermittent (C1-BB-16)
CU-18	Cup Oil
GA-20	Gasket Oil Gauge Sealing (Fibre) (2)
GG-19	Gauge Oil Viewing
NU-10	Nut Oil Gauge Retaining
SC-105	Screw Starwheel Shaft Inner Bushing Fastening (3)
SC-217	Screw Cam Shaft Adjusting Plug
WA-28	Washer Cam Shaft Adjusting Plug Screw
C1-BB-17	INTERMITTENT CASE AND BUSHINGS
BU-21	Bushing Cam Shaft (Inner)
BU-40	Bushing Cam Shaft (Oilite) (Outer)
CS-30	Case Intermittent (C1-BB-17)
PN-32	Pin Adjusting Pivot
SC-7	Screw Cam Shaft Inner Bushing Fastening (3)
LUBRICATE WITH CENTURY CERTIFIED PROJECTOR OIL PROVEN BEST BY ACTUAL TEST---IN GALLON TINS...	



PART NO.	DESCRIPTION
C1-BB-26	INTERMITTENT SPROCKET PAD AND ARM ASSEMBLY (COMPLETE) (STYLE 2)
C1-BB-27	Intermittent Pad Spring Stud and Plate
C1-BB-28	Intermittent Sprocket Pad Assembly (Style 2)
C1-BB-29	Intermittent Sprocket Pad Stud and Bushing
AR-46	Arm Intermittent Sprocket Pad
BL-18	Ball Intermittent Sprocket Pad Arm (2)
KN-30	Knob Intermittent Sprocket Pad Arm
NU-46	Nut Intermittent Pad Adjusting Spring
SC-82	Screw Spring Stud Plate Fastening
SC-127	Screw Knob Fastening
SC-708	Screw Intermittent Pad Adjusting Spring Nut Stop
SG-21	Spring Intermittent Sprocket Pad Arm Ball (2)
SG#705	Spring Intermittent Pad Adjusting
C1-BB-28	INTERMITTENT SPROCKET PAD ASSEMBLY (STYLE 2)
PA-194	Pad Intermittent Sprocket (Inner)
PA-195	Pad Intermittent Sprocket (Outer) (2)
SA-33	Spacer Intermittent Sprocket Pad (4)
SC-877	Screw Intermittent Sprocket Pad Fastening (4)
WA-151	Washer Intermittent Sprocket Pad Fastening Screw Lock (4)
C1-BB-29	INTERMITTENT SPROCKET PAD STUD AND BUSHING ASSEMBLY
BU-27	Bushing Intermittent Sprocket Pad Stud (C1-BB-29)
KN-24	Knob Intermittent Sprocket Pad Stud (C1-BB-29)
PN-25	Pin Intermittent Sprocket Pad Stud Bushing
PN-36	Pin Intermittent Sprocket Pad Stud Knob Stop
PN-68	Pin Intermittent Sprocket Pad Stud Knob Fastening
SU-4	Stud Intermittent Sprocket Pad (C1-BB-29)
C1-BB-31	INTERMITTENT CAM THRUST BALL BEARING AND BRACKET
C1-BB-11	Intermittent Cam Thrust Ball Bearing
BR-23	Bracket Intermittent Cam Thrust
SC-85	Screw Intermittent Cam Thrust Bearing/Bracket Fastening
C1-BB-24	INTERMITTENT PAD ASSEMBLY (STYLE 1) (ILLUSTRATION ON PAGE #36)
PA-69	Pad Intermittent Sprocket (Outer) (2)
PA-70	Pad Intermittent Sprocket (Inner) (2)
SA-33	Spacer Intermittent Sprocket Pad (Top) (2)
SA-202	Spacer Intermittent Sprocket Pad Stud (2)
SC-877	Screw Intermittent Sprocket Pad Fastening (4)
SU-38	Stud Intermittent Sprocket Pad
WA-151	Washer Sprocket Pad Fastening Screw Lock (Top) (2)
CP-6	Clamp Pad Stud (For C1-BB-24 Assembly)
SG-43	Spring Pad Assembly Retaining (For C1-BB-24)
SC-83	Screw Pad Stud Clamp Fastening
C1-D-42	SHUTTER SHAFT B. B. & BRACKET (FRONT)(2 25/32 LENS HOLDER MECH.)
BG-9	Bearing Shutter Shaft Ball
BR-175	Bracket Shutter Shaft Ball Bearing (Front)
SC-127	Screw Ball Bearing Retaining (3)

PARTS AND ASSEMBLIES FOR FORMER MODELS  
CENTURY PROJECTOR MECHANISMS (C/CC - H/HH)

PART NO.	DESCRIPTION
C1-D-58	DOUBLE SHUTTER AND FAN BLADES (OUTER) (INDOOR) (STYLE 1)
BD-26	Blade Shutter Fan (2)
BD-37	Blade Double Shutter (Outer) (Indoor)
SC-94	Screw Double Shutter/Fan Blade Fastening (6)
C3-D-58	DOUBLE SHUTTER AND FAN BLADES (INNER/OUTER) (DRIVE-IN) (STYLE 1)
BD-564	Blade Shutter Fan (2)
BD-568	Blade Shutter (Inner/Outer) (Drive-In) (Style 1)
SC-94	Screw Shutter/Fan Blade Fastening (6)
C1-D-59	DOUBLE SHUTTER AND FAN BLADE (INNER) (INDOOR) (STYLE 1)
BD-26	Blade Shutter Fan (2)
BD-38	Blade Shutter (Inner) (Indoor) (Style 1)
SC-94	Screw Shutter/Fan Blade Fastening (6)
C2-D-70	ASBESTOS AND LIGHT SHIELD ASSEMBLY (MODELS C/CC)
C2-D-71	Asbestos Shield with Spacer and Screws
PG-206	Plug Light Shield
SC-51	Screw Light Shield Assembly Mounting (2)
SC-82	Screw Asbestos Shield Assembly Mounting (3)
SD-592	Shield Light (Casting) (Includes PG-206)
H1-D-70	ASBESTOS AND LIGHT SHIELD ASSEMBLY (MODEL H/HH)
C2-D-71	Asbestos Shield with Spacer and Screws
SC-51	Screw Light Shield Assembly Mounting (2)
SC-82	Screw Asbestos Shield Assembly Mounting (3)
SD-1337	Shield Light (Casting) (Non Water-Cool)
H2-D-70	LIGHT SHIELD ASSEMBLY (WATER-COOL) (MODEL
SC-51	Screw Light Shield Assembly Mounting (2)
SD-1338A	Shield Light (Water-Cool)
C2-D-71	ASBESTOS COOLING SHIELD ASSEMBLY (C/CC - H/HH)
SA-558	Spacer Asbestos Cooling Shield Distance (4)
SC-59	Screw Asbestos Cooling Shield Spacer (4)
SD-969	Shield Asbestos Cooling (Rear)
SD-970	Shield Asbestos Cooling (Front)
C2-E-10	FILM TRAP ASSEMBLY (NON WATER-COOL) (STRAIGHT) (C/CC)
C2-E-11	Film Trap, Frame Aperture and Pin (Straight)
A1-E-12	Lateral Guide Roller Assembly
GU-16	Guide Film Trap Shoe (2)
PE-5	Plate Aperture (.600x.825)
PT-33	Pivot Lateral Guide Roller Assembly (2)
RT-6	Retainer Aperture Plate
SC-59	Screw Film Trap Shoe and Guide Fastening (4)
SC-134	Screw Lateral Guide Roller Assembly Pivot Fastening (2)
SH-15	Shoe Film Trap (Straight) (2)
SC-137	Screw Film Trap Assembly Mounting (3)

PARTS AND ASSEMBLIES FOR FORMER MODELS  
CENTURY PROJECTOR MECHANISMS (C/CC - H/HH)

PART NO.	DESCRIPTION
C3-E-10	FILM TRAP ASSEMBLY (CURVED TYPE, (NON W/C) (C/CC - H/HH)
C3-E-11	Film Trap, Pin and Frame Plate (Non Water-Cool)
A1-E-12	Lateral Guide Roller Assembly
GU-172	Guide Film Trap Shoe (Curved) (2)
PE-652	Plate Aperture (.600x.825) (Non Water-Cool) (Curved Type)
PT-33	Pivot Lateral Guide Roller Assembly (2)
SC-75	Screw Film Trap Shoe and Guide Fastening (4)
SC-134	Screw Lateral Guide Roller Assembly Pivot Retaining (2)
SH-1257	Shoe Film Trap (Curved) (2)
H1-E-10	FILM TRAP ASSEMBLY COMPLETE (CURVED)(WATER-COOL) (C/CC-H/HH)
H1-E-11	Film Trap, Pin and Frame Plate (Water-Cool)
A1-E-12	Lateral Guide Roller Assembly
GU-172	Guide Film Trap Shoe (Curved) (2)
PT-33	Pivot Lateral Guide Roller Assembly (2)
SC-75	Screw Film Trap Shoe and Guide Fastening (4)
SC-134	Screw Lateral Guide Roller Assembly Pivot Retaining (2)
SH-1257	Shoe Film Trap (Curved) (2)
C2-E-11	FILM TRAP, PIN AND FRAME PLATE (STRAIGHT) (NON W/C) (C/CC)
PE-232	Plate Frame
PN-14	Pin Picture Aperture Stop
SC-778	Screw Frame Plate Retaining (2)
TP-1	Trap Film (Straight) (C2-E-11)
C3-E-11	FILM TRAP, PIN AND FRAME PLATE (CURVED) (NON WATER-COOL)
PE-643	Plate Framing
PN-645	Pin Aperture Stop
SC-1266	Screw Frame Plate Fastening (2)
TP-110	Trap Film (Curved) (Non Water-Cool) (C3-E-11)
H1-E-11	FILM TRAP, PIN AND FRAME PLATE (CURVED TYPE) (WATER COOL)
PE-643	Plate Framing
PN-127	Pin Water Jacket Locate
SC-1266	Screw Framing Plate Fastening (2)
TP-119	Trap Film (Water Cool) (H1-E-11)
C2-E-40	FILM GATE ASSEMBLY (COMPLETE) (STRAIGHT) (C/CC)
C1-E-41	Film Gate Plate and Studs (Straight)
NU-83	Nut Pad Adjusting Spring Stud (2)
PA-502	Pad Film Gate (Straight)
PE-180	Plate Film Gate Pad Retainer Spring (2)
SC-709	Screw Film Gate Pad Retaining Spring Fastening (4)
SC-1551	Screw Film Gate Pad Retaining Spring Plate Fastening (4)
SG-685	Spring Film Gate Pad Retaining (2)
SG-1352	Spring Film Gate Pad Adjusting (2)
SU-1353	Stud Film Gate Pad Adjusting Spring (2)

PARTS AND ASSEMBLIES FOR FORMER MODELS  
CENTURY PROJECTOR MECHANISMS (C/CC - H/HH)

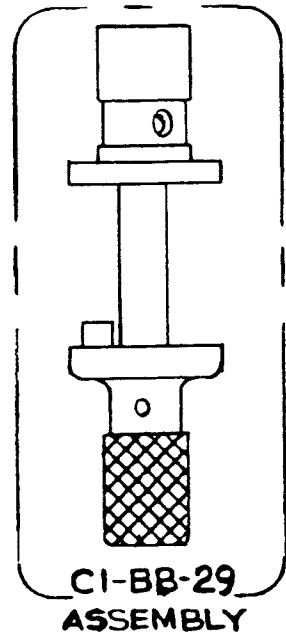
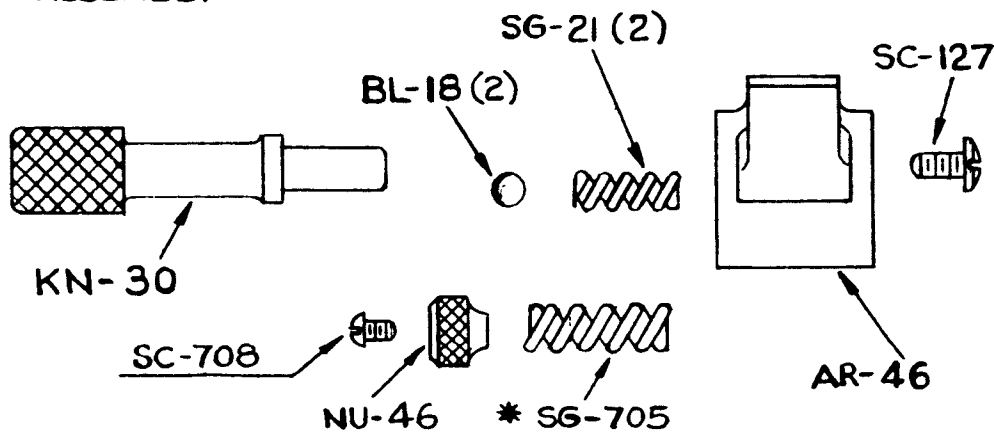
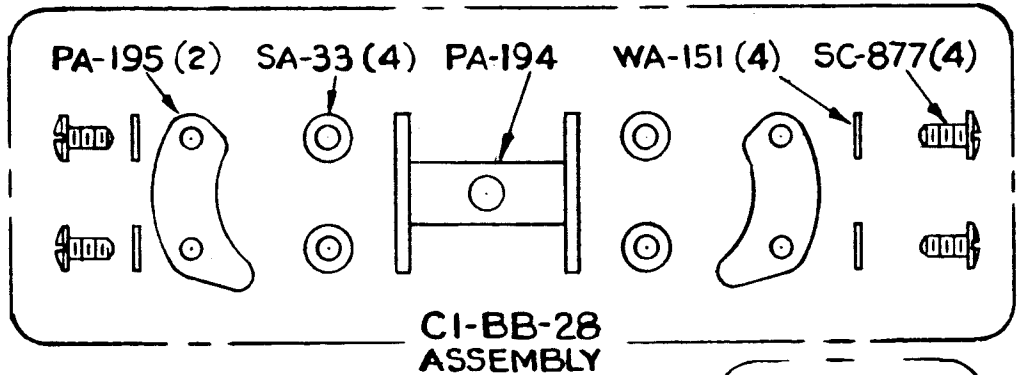
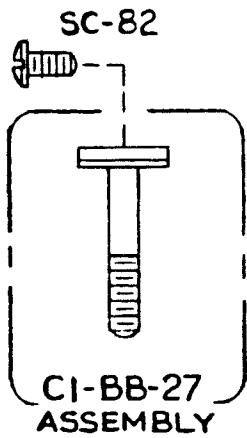
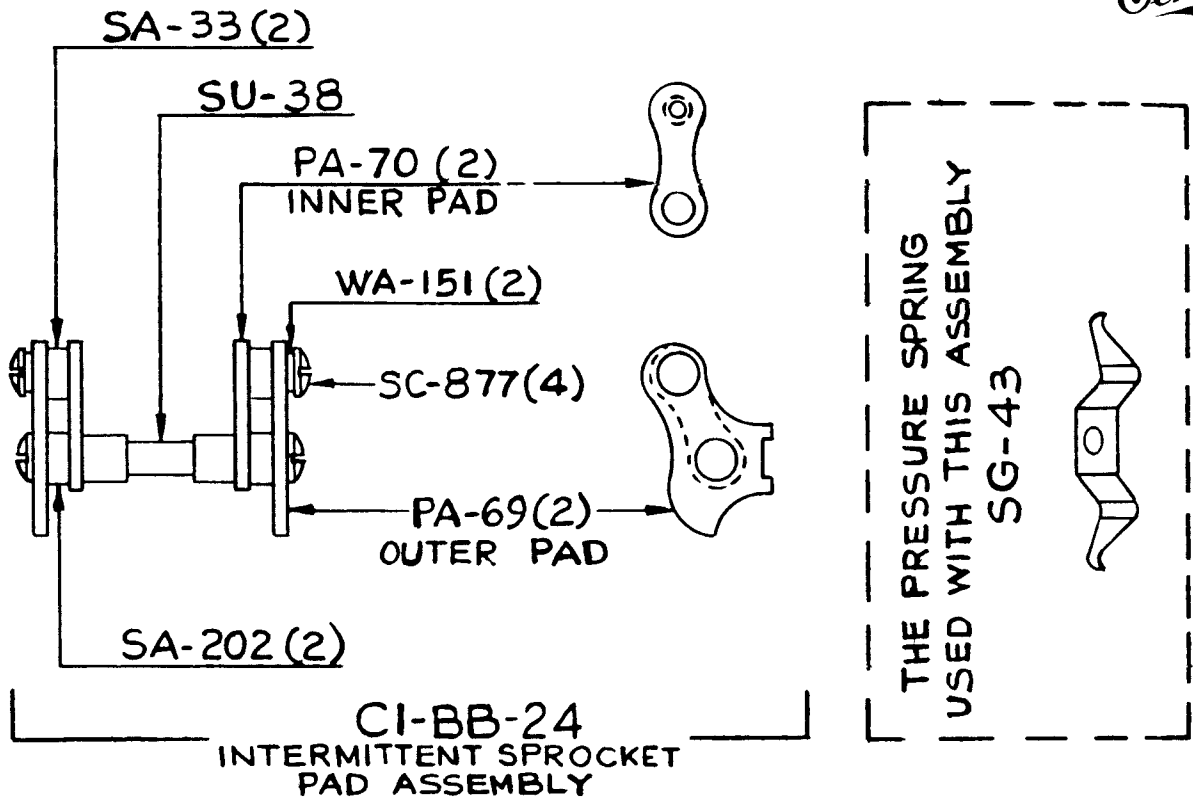
PART NO.	DESCRIPTION
H1-E-40	FILM GATE ASSEMBLY (COMPLETE) (CURVED TYPE) (C/CC - H/HH)
H1-E-41	Film Gate Plate and Studs (Curved)
NU-83	Nut Film Gate Pad Adjusting Spring (2)
PA-642	Pad Film Gate Pressure (Curved)
PE-180	Plate Film Gate Pad Retainer Spring (2)
SA-1256	Spacer Film Gate Pad Retainer Spring (2)
SA-1272	Spacer Film Gate Plate Inner and Outer Stop (2)
SC-709	Screw Film Gate Pad Retainer Spring Fastening (4)
SC-1268	Screw Film Gate Pad Retainer Spring Plate Fastening (4)
SC-1276	Screw Film Gate Spacer Fastening (4)
SG-685	Spring Film Gate Pad Retaining (2)
SG-1352	Spring Film Gate Pad Adjusting (2)
SU-1353	Stud Film Gate Pad Adjusting Spring (2)
C5-E-70	WATER JACKET, TUBES & CONNECTION BLOCK (CURVED) (C/CC - H/HH)
BK-829	Block Water Tube Connection (Bottom)
JC-12	Jacket Water (C5-E-70)
PE-518	Plate Aperture (.600 x .825)
PN-519	Pin Aperture Stop
SC-1016	Screw Aperture Retaining Spring Fastening (4)
SG-1013	Spring Aperture Plate Retaining (2)
TU-167	Tube Water (Outer)
TU-168	Tube Water (Inner)
SC-81	Screw Connection Block Fastening
SC-137	Screw Water Jacket Mounting
C1-T-182	FILM TRAP ASSEMBLY (COMPLETE) (STRAIGHT) (WATER-COOL) (C/CC)
A1-E-12	Lateral Guide Roller Assembly
C1-T-183	Film Trap and Pin (Water-Cool) (Model C/CC)
GU-16	Guide Film Trap (2)
PE-232	Plate Framing Sight
PT-33	Pivot Lateral Guide Roller Assembly (2)
SC-59	Screw Film Trap Shoe and Guide Fastening (4)
SC-134	Screw Lateral Guide Roller Assembly Pivot Retaining (2)
SC-778	Screw Framing Sight Plate Fastening (2)
SH-794	Shoe Film Trap (Water-Cool) (Straight Gate)
C1-T-184	LIGHT SHIELD ASSEMBLY (WATER-COOL) (MODEL C/CC)
PG-206	Plug Light Shield
SC-51	Screw Light Shield Mounting (2)
SD-780	Shield Light (Water-Cool) (C1-T-184)
C2-T-260	CONVERSION KIT (STANDARD TO WATER-COOL) (STRAIGHT) (C/CC)
C1-T-182	Film Trap Assembly (Straight Gate)(Water Cool) (Model C/CC)
C1-T-184	Light Shield Assembly (Water-Cool) (Model C/CC)
C4-T-421	Water Cell Assembly (Straight) (Model C/CC)
SC-81	Screw Connection Block Fastening
SC-137	Screw Film Trap & Water Jacket Retaining (3)

PARTS AND ASSEMBLIES FOR FORMER MODELS  
CENTURY PROJECTOR MECHANISMS (C/CC - H/HH)

PART NO.	DESCRIPTION
C3-T-260	CONVERSION KIT (STANDARD TO WATER-COOL AND CURVED GATES)
H1-E-10	Film Trap Assembly Complete (Water-Cool) (Curved)
H1-E-40	Film Gate Assembly Complete (Curved)
C5-E-70	Water Jacket, Tubes and Connection Block
C1-T-184	Light Shield Assembly (Water-Cool)
PE-518	Plate Aperture (.600 x .825)
C4-T-421	WATER CELL, TUBES AND CONNECTING BLOCK ASSEMBLY (STRAIGHT) (C/CC)
BK-829	Block Water Connection (Bottom)
JC-8	Jacket Water (C4-T-421)
PE-518	Plate Aperture (.600 x .825)
PN-519	Pin Aperture Plate Stop
SC-81	Screw Connection Block Fastening
SC-137	Screw Water-Cell Mounting
SC-1016	Screw Aperture Plate Retaining Spring Fastening (4)
SG-1013	Spring Aperture Plate Retaining (2)
TU-167	Tube Water (Outer)
TU-168	Tube Water (Inner)
C5-T-421	WATER CELL, TUBES AND CONNECTING BLOCK ASSEMBLY (STRAIGHT) (C/CC) SAME AS C4-T-421 <u>PLUS</u> 2 SH-794 Film Trap Shoes
C1-T-580	KIT TO CONVERT WATER-COOLED MECHANISM TO CURVED GATES (CW/CCW)
H1-E-10	Film Trap Assembly (Water-Cool) (Curved)
C5-E-70	Water Jacket and Connection Block (Curved)
H1-E-40	Film Gate Assembly (Curved)
C1-T-590	KIT TO CONVERT STANDARD MECHANISMS (C/CC) TO CURVED GATES
C3-E-10	Film Trap Assembly (Non Water-Cool) (Curved)
H1-E-40	Film Gate Assembly (Curved)

APERTURE PLATES (STANDARD AND WATER-COOL) (MODELS C/CC - H/HH)

<u>STANDARD</u>		<u>WATER-COOL</u>	<u>Aspect</u>	<u>Aperture</u>
<u>Straight</u>	<u>Curved</u>	<u>Straight and</u>	<u>Ratio</u>	<u>Size</u>
<u>Gate</u>	<u>Gate</u>	<u>Curved Gates</u>		
PE-5	PE-652	PE-518	1.375:1	.600 x .825
PE-5-E1	PE-652-E1	PE-518-E1	_____	Blank
PE-5-E2	PE-652-E2	PE-518-E2	_____	Pin Hole
PE-5-E3	PE-652-E3	PE-518-E3	2:1 (Wide Screen)	.412 x .825
PE-5-E4	<u>PE-652-E4</u>	<u>PE-518-E4</u>	1.85:1	.445 x .825
PE-5-E5	PE-652-E5	PE-518-E5	1.75:1	.470 x .825
PE-5-E6	PE-652-E6	PE-518-E6	1.66:1	.495 x .825
PE-5-E7	PE-652-E7	PE-518-E7	1.375:1 (Und.)	.581 x .703
PE-5-E8	PE-652-E8	PE-518-E8	1.75:1/1.85:1 (Und.)	.420 x .800
PE-5-E9	PE-652-E9	PE-518-E9	1.66:1 (Und.)	.470 x .800
PE-5-E12	PE-652-E12	PE-518-E12	2.35:1 (Anamorphic)	.715 x .825
PE-5-E13	PE-652-E13	PE-518-E13	2.35:1 (Und.)	.675 x .800
PE-5-E14	PE-652-E14	PE-518-E14	2:1	.715 x .715
PE-5-E15	PE-652-E15	PE-518-E15	2:1 (Und.)	.650 x .650
PE-5-E16	PE-652-E16	PE-518-E16	2.35:1 (Und.)	.650 x .775



\* NOTE: SG-705, COILED  
TYPE PRESSURE SPRING  
USED WITH CI-BB-26  
ASSEMBLY.

CI-BB-26  
INTERMITTENT SPROCKET  
PAD ASSEMBLY