

Film-Tech

The information contained in this Adobe Acrobat pdf file is provided at your own risk and good judgment.

These manuals are designed to facilitate the exchange of information related to cinema projection and film handling, with no warranties nor obligations from the authors, for qualified field service engineers.

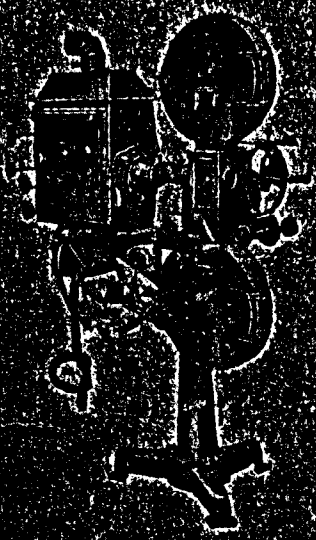
If you are not a qualified technician, please make no adjustments to anything you may read about in these Adobe manual downloads.

www.film-tech.com

Selyer

Simplex

PRICE LIST
OF
PRINCIPAL
PARTS



PRICE LIST of PRINCIPAL SIMPLEX PARTS

INDEX TO ASSEMBLIES

- A Centre Frame Assembly
- B Intermittent Case Assembly—Eccentric
- BB Intermittent Case Assembly—Double Bearing
- C Mechanism Assembly
- D Outside Mechanism Assembly
- E Film Trap Assembly
- F Type "B" Arc Lamp Assembly
- G Inside Mechanism Assembly
- I Incandescent Lamphouse Assembly
- J Arc Control Assembly
- L Pedestal Assembly
- M & P Rewind Assembly
- N Type "B" Arc Lamp and Lamphouse Assembly
- O Type "B" Lamphouse Less Arc Lamp Assembly
- Q Type "S" Arc Lamp and Lamphouse Assembly
- R Simplex Accessories
- S Motor Equipment
- T Curtain Dissolver Assembly
- U Upper Magazine Assembly
- V Film Footage Register Assembly
- W Lower Magazine Assembly
- X Variable Speed Control Assembly

THE PRECISION MACHINE CO. INC.

317 East 34th St—New York

NOTICE

Prices on the following parts have been changed as noted, since the printing of this price list:

C-11	Framing Handle and Nut	\$1.75
E-4	Film Trap Door Blank Only	6.75
R-214-E	Lateral Guide Roller75
S-193-C	Sprocket Roller Arm Pivot Screw75
S-445-G	Top Sprocket Shaft	1.25

Form 526

Important!

When ordering parts be sure and mention the serial number of the mechanism for which they are intended.



Price List of Principal Simplex Parts

Part No.	Description
A-1	Handle Shaft & Collars.....
A-2	Shutter Adjusting Screw & Knob.....
A-4	Projecting Lens Holder & Slide.....
A-7	Framing Cam & Arm.....
A-8	Focusing Pinion Knot Assembly.....
A-145-F Adapter:	Carbon Holder Adapter.....
A-100-C Adapter:	Projecting Lens Holder Adapter (Inside)
A-104-C Adapter:	Projecting Lens Holder Adapter (Outside)
A-107-L Arm:	Auxiliary Arm.....
A-131-A Arm:	Focusing Rack Arm.....
A-135-W Arm:	Lower Magazine Arm.....
A-137-C Arm:	Lower Pad Roller Arm.....
A-116-L Arm:	Pedestal Arm.....
A-118-G Arm:	Picture Framing Handle Arm.....
A-120-L Arm:	Slide Over Arm.....
A-122-D Arm:	Stereo Slide Arm.....
A-134-U Arm:	Upper Magazine Arm.....
A-136-C Arm:	Upper Pad Roller Arm.....
"B"	Intermittent Case Assembly.....
B-1	Intermittent Case and Tubes.....
B-4	Eccentric Bushing & Sleeve.....
B-8	Intermittent Case Cover & Locks.....
B-9	Star Wheel, Sprocket & Bushing.....
B-14	Fly Wheel & Gear.....
B-15	Fly Wheel Shaft & Gear.....
B-16	Star Wheel Cam, Shaft, Gear & Collar.....
B-19	Cam Shaft Collar & Screw.....
B-139-Q Base:	Burner Base, Type "S".....
B-198-A Base:	Centre Frame Base.....
B-228-L Base:	Pedestal Base.....
B-247-BB Bearing:	Cam Shaft Bearing.....
B-246-BB Bearing:	Fly Wheel Shaft Bearing.....
B-248-BB Bearing:	Star Wheel Shaft Inner Bearing.....
B-249-BB Bearing:	Star Wheel Shaft Outer Bearing.....

Please specify clearly numbers and descriptions of parts ordered.

Part No.	Description
C-106-R	Slide Carrier
C-204-X	Starting Mechanism Friction Disc Carrier
C-118-D	Bevel Glass Clamp
C-294-BB	Case Retaining Clamp (2) each
C-172-Q	Lower Carbon Clamp
C-173-Q	Top Carbon Clamp
C-126-A	Main Driving Gear Clutch
C-274-B	Cam Adjusting Collar
C-189-A	Handle Shaft Driving Collar
C-128-M	Internal Gear Shaft Collar
C-129-E	Lateral Guide Roller Shaft Collar
C-206-W	Rewinder Reel Shaft Collar
C-193-B	Shutter Shaft Collar
C-295-BB	Star Wheel Shaft Collar
C-211-X	Starting Knob Rod Collar
C-226-U	Upper Magazine Friction Adjusting Spring Collar
C-249-L	Pedestal Column
C-138-R	6 1/2" Condenser
C-139-R	7 1/2" Condenser
C-210-S	Canvasite Cord
C-151-D	Left Back Cover
C-152-D	Left Front Cover
C-157-C	Right Cover
C-159-C	Right Front Cover (Old Style)
C-286-D	Right Front Cover (New Style)
C-162-S	Snap Switch Holder Cover
C-293-BB	Intermittent Oil Cup
C-141-X	Speed Control Main Pulley Oil Cup
D-1	Driving Arm
D-2	Governor Lift Lever
D-3	Governor Weight & Link
D-4	Right Door
D-6	Right Door Lock Spring & Button
D-7	Right Back Cover Hinge
D-8	Right Back Cover Latch Knob
D-9	Right Back Cover

Please specify clearly numbers and descriptions of parts ordered.

Part No.	Description	Price
B-237-J	Belt: Arc Control Belt (20 1/2" long)	1.00
B-207-X	Belt: Speed Control Flat Belt	1.00
B-200-X	Belting: Leather Belting 9/32" per foot	.15
B-106-G	Block: Framing Slide Lever Block	.30
B-110-S	Bolt: Motor Table Attachment Bolt	.35
B-236-L	Bolt: Pedestal Bolt	.35
B-196-Q	Bolt: Upper & Lower Carbon Jaw Fastening Bolt	.15
B-256-I	Bracket: Ammeter Bracket	1.50
B-113-F	Bracket: Carbon Feed Bracket	2.25
B-115-F	Bracket: Lamp Adjusting Bracket	2.75
B-122-G	Bracket: Shutter Gear Bracket	2.75
B-123-S	Bracket: Snap Switch Bracket	1.25
B-124-L	Bracket: Switch Box Bracket	1.50
B-151-F	Bracket: Top Carbon Feed Rack Bracket	.70
B-152-F	Bracket: Top Carbon Rack Sub-Bracket	.90
B-114-F	Bracket: Upper & Lower Carbon Holder Bracket	1.00
B-127-A	Bracket: Vertical Shaft Bracket	1.20
B-213-I	Bushing: Front and Rear Contact Stud Insulation Bushing	.25
B-145-Q	Bushing: Top Insulating Bushing	.50
BB-21	Intermittent Case	30.00
BB-23	Case Cover and Bearing Arm	25.00
BB-25	Intermittent Cam Complete	6.00
BB-26	Star Wheel Shaft and Sprocket	11.75
BB-27	Fly Wheel Shaft and Gear	4.25
BB-28	Fly Wheel and Gear Complete	14.25
BB-30	Fly Wheel Lock Nut Complete	3.50
C-21 1/2	Upper Sprocket Roller Arm Less Pad Roller	2.00
C-31 1/2	Lower Sprocket Roller Arm Less Pad Roller	2.00
C-4	Film Trap Lever	.90
C-8	Upper Magazine Roller Holder and Rollers	5.40
C-11	Framing Handle & Nut	.50
C-12	Pad Roller Stud & Arm (New Style)	.60
C-209-S	Cable: Armored Cable	2.10
C-198-F	Carriage: Lamp Carriage	5.00
C-105-L	Carriage: Lamphouse Carriage	10.00

Please specify clearly numbers and descriptions of parts ordered.

Part No.	Description	Price
D-11	Upper Left Door & Knob	7.00
D-12	Lower Left Door	3.00
D-13	Shutter Spider	3.50
D-14	Three Wing Shutter & Spider (Opaque)	6.00
D-15	Stereo Slide & Arm	6.60
D-22	Two Blade Shutter Only	2.10
D-23	Two Blade Shutter & Spider (Opaque)	6.00
D-27	Three Wing Shutter Only	3.00
D-130-BB	Deflector:	1.50
D-131-X	Disc	5.25
D-114-X	Disc:	3.00
D-122-W	Disc:	1.00
D-121-W	Disc:	1.00
"E"		
E-1	Film Trap Assembly	34.00
E-2	Film Trap	9.00
E-3	Film Trap Door Holder	5.00
E-4	Intermittent Film Guide	2.10
E-5	Film Trap Door Blank Only	5.00
E-6	Film Heat Shield	1.50
E-7	Automatic Fire Shutter Lift Link and Shutter	.70
E-8	Automatic Fire Shutter Lift Lever	.35
E-9	Automatic Fire Shutter and Lift Lever	1.10
E-10	Film Trap Door (Complete)	11.00
E-13	Film Trap Double Tension Gate Complete	11.00
E-14	Asbestos Heat Shield	5.00
E-16	Lateral Guide Roller Assembly	2.50
E-102-D	New Style Film Trap	9.00
E-100-D	Escutcheon: For Eighth Size Lens (small)	1.00
E-101-C	Escutcheon: For Half Size Lens (large)	.90
E-106-I	Escutcheon: For Quarter Size Lens (medium)	.90
"F"		
F-1	Lamp Holder Bracket Extension	2.50
F-2	Arc Lamp Assembly	45.00
F-10	Carbon Feed Gear & Shaft	1.10
F-11	Lamp Adjusting Bracket Plate & Pin	.75
F-12	Top Carbon Holder	2.10
F-13	Bottom Carbon Holder	2.10

Please specify clearly numbers and descriptions of parts ordered.

Part No.	Description
F-14	Top Carbon Adjustment
F-16	Upper Carbon Holder (Silvertip)
F-17	Lower Carbon Holder (Silvertip)
F-116-X	External Friction Disc Driving Flange
F-103-Q	Flange: Horizontal Longitudinal Adj. of Arc Screw Handle Flange
F-120-Q	Frame: Lower Carbon Main Sliding Frame
F-110-Q	Frame: Main Sliding Frame
F-119-X	Frame: Speed Control Main Frame
F-112-Q	Frame: Top Carbon Main Sliding Frame
G-1	Intermediate Shaft & Gear
G-2	Lower Sprocket Shaft & Gear
G-5	Spiral Driving Gear Shaft & Gear
G-6	Shutter Gear Bracket Complete
G-12	Formica Intermediate Gear & Plate
G-13	Formica Double Bevel Gear & Flanges ass'd
G-15	Formica Double Bevel Gear, Flanges & Vertical Shaft ass'd
G-188-BB	Gasket: Oil Gasket
G-138-G	Gear: Bevel Gear No. 3
G-102-G	Gear: Bevel Gear No. 2
G-101-F	Gear: Carbon Feed Gear
G-128-Q	Gear: Driving Shaft in Lower Carbon Frame Gear
G-185-BB	Gear: Fly Wheel Gear
G-148-B	Gear: Fly Wheel Gear
G-187-BB	Gear: Fly Wheel Shaft Gear
G-105-B	Gear: Fly Wheel Shaft Gear
G-135-G	Gear: Intermediate Bevel Gear
G-134-G	Gear: Intermediate Gear No. 1
G-110-F	Gear: Lamp Adjusting Gear
G-129-Q	Gear: Lower Carbon Transversal Adj. Gear
G-111-G	Gear: Lower Sprocket Gear
G-112-G	Gear: Main Driving Gear
G-114-M	Gear: Rewinder Spur Gear
G-115-G	Gear: Shutter Driving Bevel Gear
G-147-G	Gear: Shutter Spiral Gear
G-141-X	Gear: Speed Adjusting Rod Gear
G-116-G	Gear: Spiral Driving Gear, Broached Hole

Please specify clearly numbers and descriptions of parts ordered.

Part No.	Description	Price
G-118-B	Star Wheel Cam Gear	1.45
G-139-G	Upper Sprocket Shaft Gear	3.00
G-120-G	Vertical Shaft Gear	2.10
G-121-A	Focusing Slide Gib	.25
G-136-G	Aperture Light Shield Glass	.25
G-189-BB	Case Cover Glass	.90
G-180-R	Double Aperture Light Shield Glass	.30
G-122-O	Lamphouse Door Glass	.20
G-132-Q	Lamphouse Door Glass (Round 2")	.30
G-124-D	Right Door Glass	1.75
G-131-U	Upper & Lower Magazine Cover Wire Glass	.25
G-125-E	Inside Intermittent Film Guide	.15
G-126-E	Outside Intermittent Film Guide	.30
H-100-F	Carbon Jaw Tilt Screw Handle	.25
H-148-L	Lamphouse Carriage Handle	.50
H-118-E	Film Guide Holder	.75
H-120-G	Governor Lower Link Holder	1.50
H-121-G	Governor Upper Link Holder	1.25
H-124-W	Lower Magazine Roller Holder	1.75
H-127-S	Snap Switch Holder	.30
H-130-C	Upper Magazine Roller Holder	3.60
I-3	Incandescent Lamp Socket	8.00
I-10	Cinephor Condenser Mount Complete	30.00
J-100-Q	30 Volt, 30 Amp. Ammeter With Bracket	15.00
J-101-Q	Lower Carbon Jaw	2.75
J-102-Q	Top Carbon Jaw	2.75
K-131-A	Driving Shaft in Main Frame Universal Joint	.75
K-106-D	Focusing Pinion Rod Knob	.65
K-117-X	Right and Left Door Knob	.45
K-120-A	Speed Adjusting Rod Knob	1.00
"L"	Shutter Adjusting Screw Knob	1.00
L-1	Pedestal Assembly	90.00
L-2	Pedestal Stand Handle & Set Screw	1.25
L-3	Quadrant Lock Clamp Handle & Screw	1.25
	Switch Box & Cover 60 Amp.	5.50

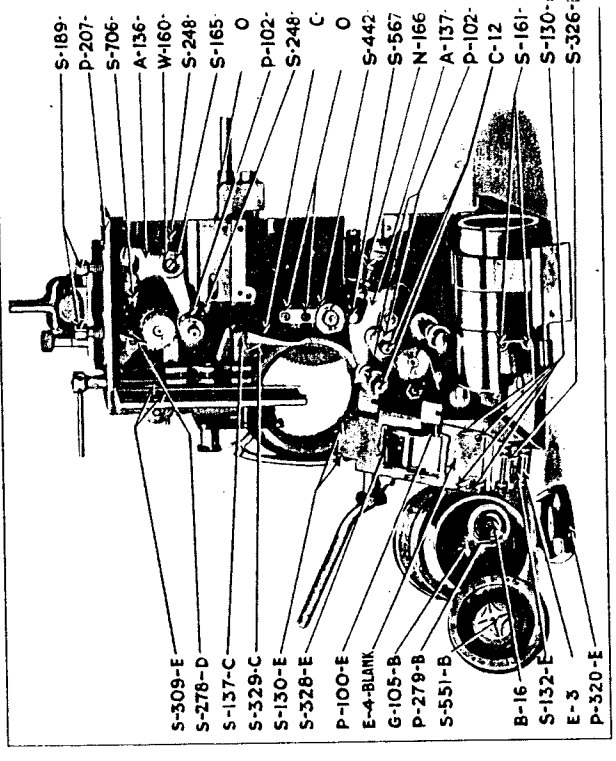
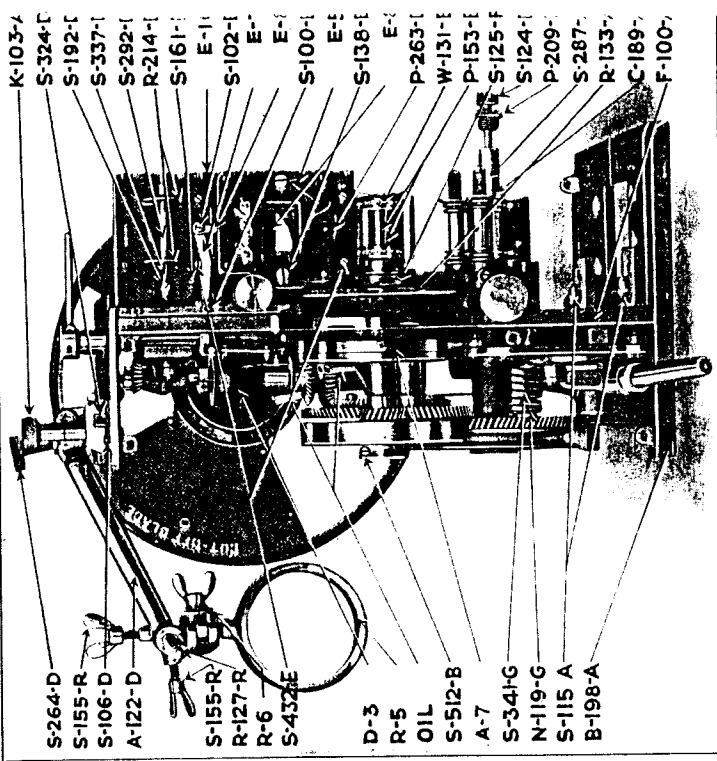
Please specify clearly numbers and descriptions of parts ordered.

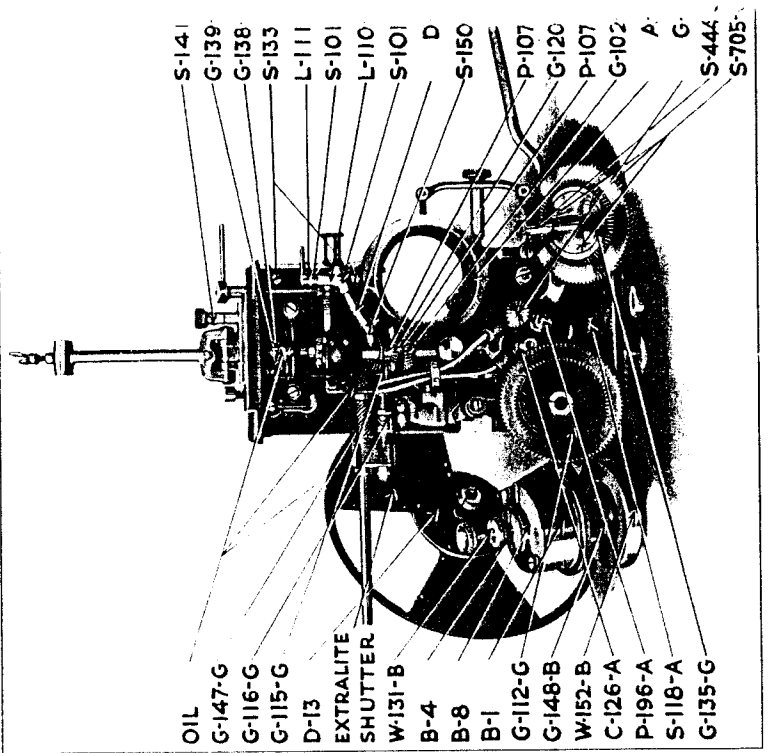
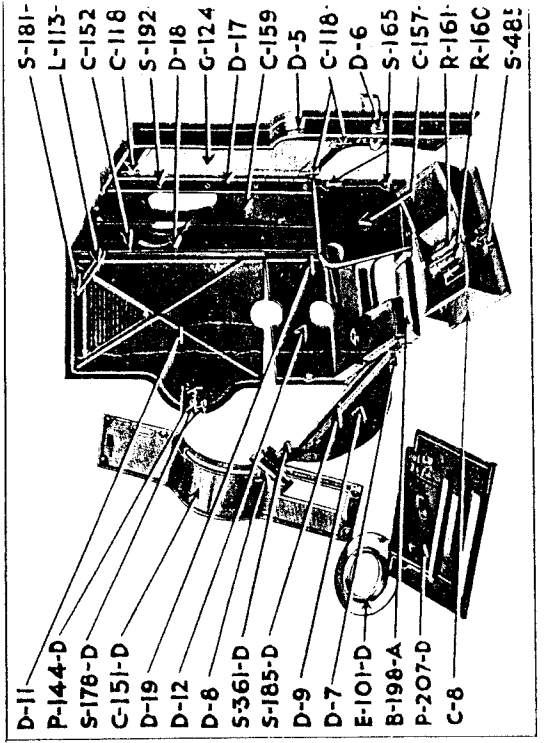
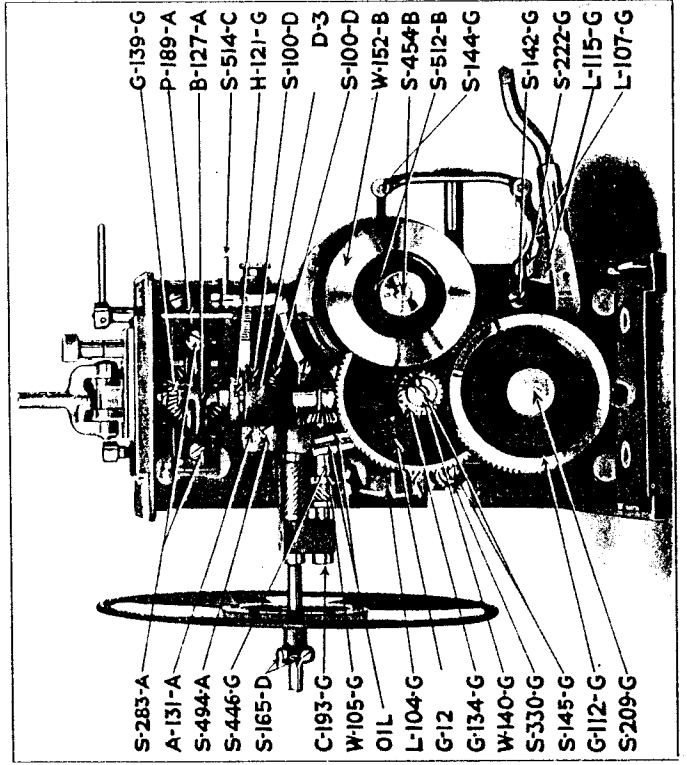
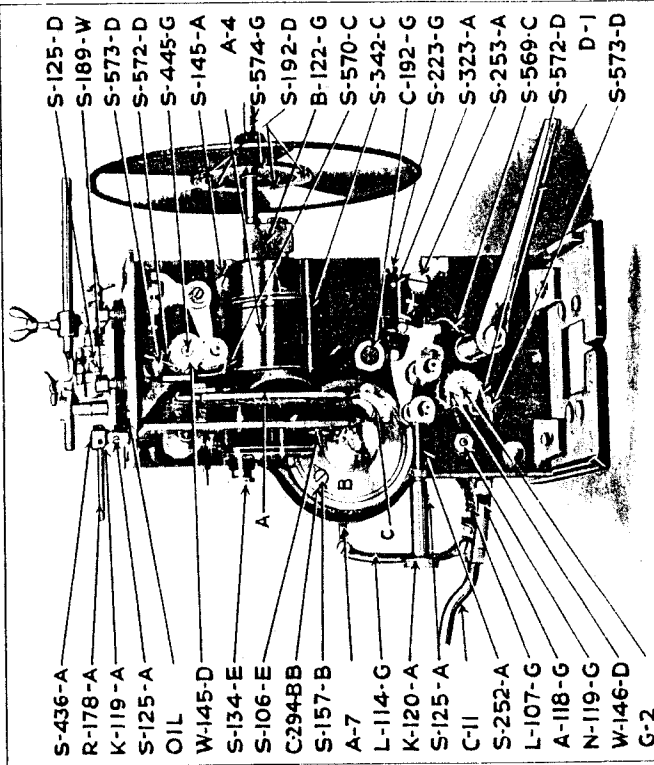
Part No.	Description
L-4	Switch, Switch Box & Bracket 60 Amp.
L-5	Switch, Switch Box 100 Amp. 250 Volt
L-11	Pedestal Tilting Device (Special)
L-128-F	Carbon Jaw Tilt Screw Lever
L-104-G	Framing Slide Lever
L-112-D	Governor Weight Link
L-113-D	Left Door Stop Link
L-119-M	Rewinder Reel Shaft Lock
L-151-U	Upper & Lower Magazine Reel Shaft Lock
L-138-Z	Solderless Lug
"M"	Rewinder Bracket Assembly
M-1	Internal Gear, Shaft & Collar
M-2	Rewinder Reel, Shaft & Gear
M-3	Rewinder Handle
M-6	Rewinder Reel Shaft & Locks
M-100-F	Upper & Lower Carbon Holder Sheet Mica 1 1/2" x 1 3/4", Insulated
M-101-F	Upper & Lower Carbon Holder Tube Mica 1 1/16 Dia. 1/4" Hole
M-131-I	Incandescent Lamp Mirror
M-110-S	A. C. Motor, 110 Volts, 60 Cycles 1/8 H. P.
M-107-S	A. C. Motor, 220 Volts, 60 Cycles 1/8 H. P.
M-112-S	D. C. Motor, 115 Volts, 1/10 H. P.
M-115-S	D. C. Motor, 230 Volts, 1/10 H. P.
"N"	Arc Lamp and Lamphouse Assembly
N-1	Feed Knobs (2) each
N-2	Carbon Feed Bracket Tilt Screw Knob
N-3	Feed Knobs
N-4	Feed Knobs (3) each
N-136-X	Friction Spring Nut
N-108-M	Internal Gear Shaft Nut
N-141-Q	Lower Carbon Clamp Nut
N-117-S	Motor Table Attachment Bolt Nut
N-131-Q	Top Carbon Clamp Nut
N-115-C	Upper & Lower Pad Roller Arm Screw Nut
N-130-Q	Upper & Lower Carbon Contact Piece Retain Nut

Please specify clearly numbers and descriptions of parts ordered.

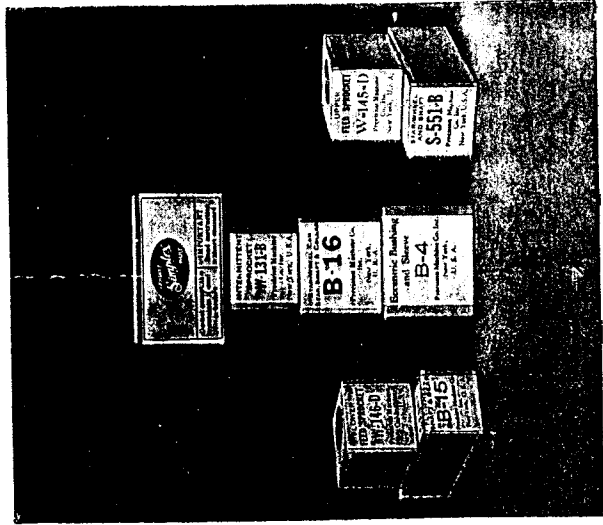
Part No.	Description	Price
"0"	Lamphouse Assembly	45.00
O-9	Lamphouse Hood Complete	4.20
O-10	Lamphouse Dowser & Handle	1.25
O-11	Lamphouse Door Latch Assembly	1.25
"p"	Rewinder Idler Assembly	5.50
P-1	Friction Brake Wheel	2.10
P-2	Rewinder Brake Lever	.70
P-3	Rewinder Fastening Screw	.70
P-100-E	Film Trap Door Pad	.75
P-223-Q	Contact Piece for Lower Carbon	2.10
P-224-Q	Contact Piece for Top Carbon	2.10
P-360-BB	Cam Pin	.50
P-123-B	Fly Wheel Taper Pin	.05
P-368-G	Formica Double Bevel Gear Taper Pin	.15
P-127-G	Framing Slide Arm Roller Pin	.05
P-128-G	Framing Slide Lever Pin	.05
P-350-BB	Intermittent Sprocket Pin	.15
P-153-A	Intermittent Sprocket Taper Pin	.10
P-341-D	Locking Pin for D-9	.05
P-160-M	Rewinder Reel Shaft Collar Pin	.05
P-147-W	Rewinder Reel Shaft Lock Pin	.05
P-279-B	Star Wheel Cam Pin	.50
P-261-Q	Top Carbon Longitudinal Adj. Universal Joint Cotter Pin	.05
P-107-B	Vertical Shaft Driving Gear Taper Pin	.05
P-190-X	Motor Drive Pinion	2.25
P-256-L	Pedestal Arm Pivot	.80
P-195-L	Pedestal Arm Pivot	.80
P-197-L	Slide Over Arm Pivot	.30
P-131-E	Aperture Plate (Regular)	.35
P-263-E	Right Back Cover Latch Plate	.30
P-207-D	Top Plate	4.20
P-236-U	Upper & Lower Magazine Cover Wire Glass Retaining Plate	.10
P-159-M	Bracket Lever Leather Plug	.05
P-211-M	Upper & Lower Magazine Reel Shaft Plunger	.10

Please specify clearly numbers and descriptions of parts ordered.





For Your Protection



These and many other *Simplex* parts are boxed. Accept no others. Boxed parts insure your getting the genuine only.

You are cordially invited to visit the plant and witness the manufacture of the parts which go to make up the Simplex Projector, to the end that you may know the precise requirements, the closeness of the work, in short we want you to see that each part is made with the utmost precision. Such manufacturing is costly. You should see the huge investment in machinery most of which is especially designed to meet our purposes.

Part No.	Description
P-294-X	Motor Pulley (New Style)
P-295-X	Tension Carrier Deflecting Pulley
P-325-E	Double Tension Film Trap Door Protector
P-320-E	Film Protector
"Q"	Arc Lamp & Lamphouse Assembly Type "S"
Q-1	Hood & Hood Plate
Q-101-L	Extra Long Pedestal Quadrant
Q-100-L	Pedestal Quadrant
R-4	Take-up Friction Belt for 2" Hub Reels
R-5	Stereo Lens Holder
R-6	Stereo Universal Clamp
R-7	Intermittent Case Wrench
R-8	Aperture Light Shield
R-9	Lamp House Reflector
R-10	Take-up Friction Belt for 5" Hub Reels
R-14	Condenser Holder Sets
R-15	Double Aperture Light Shield
R-18	Simplex Wire Reel
R-19	Simplex Wire Reel With Signal Device
R-104-R	Reel for 2000 ft. 14 ³ / ₄ "
R-138-A	Framing Cam Adjusting Ring
R-171-Q	Drive Shaft in Top Frame Universal Joint Rivet
R-207-X	Speed Adjusting Rod
R-127-Z	Stereo Lens Adjusting Rod 14"
R-206-X	Starting Knob Rod
R-128-G	Framing Slide Arm Roller
R-214-E	Lateral Guide Roller
R-162-D	Stripper Roller
R-160-C	Upper & Lower Magazine Roller Holder Small Roller
R-161-C	Upper & Lower Magazine Roller Holder Large Roller
P-102-C	Upper & Lower Pad Roller Arm Roller
S-1	Snap Switch & Cable Assembly

Please specify clearly numbers and descriptions of parts ordered.

Part No.	Description	Price	Part No.	Description	Price
S-7	A. C. Motor 110 V. 60 cye. 1/8 H. P.	57.00	S-138-E	Metal Heat Shield Fastening Screw	
S-11	A. C. Motor 220 V. 60 cye. 1/8 H. P.	57.00	S-148-G	Motor Pulley Set Screw	
S-21	D. C. Motor 115 V. 1 10 H. P.	57.00	S-432-E	Oil Deflector and Stripper Screw (4) each	
S-22	D. C. Motor 230 V. 1/10 H. P.	57.00	S-217-C	Pad Roller Retaining Screw	
S-434-E	Aperture Plate Retaining Screw	.05	S-118-L	Pedestal Arm Pivot Set Screw	
S-520-L	Auxiliary Arm Pivot Screw	.60	S-144-G	Picture Framing Connecting Link Screw	
S-724-BB	Bearing Screw (12) each	.10	S-222-G	Picture Framing Link Retain Screw	
S-648-B	Cam Collar Clamp Screw	.05	S-230-L	Quadrant Fastening Screw	
S-728-BB	Case Clamp Screw (2) each	.15	S-229-L	Quadrant Lock Retaining Screw	
S-729-BB	Case Cover Screw (4) each	.10	S-106-D	Right Back Cover Hinge Fastening Screw	
S-209-G	Driving Pulley Retain Screw	.30	S-122-C	Right Front Cover Fastening Screw	
S-130-E	Film Guide Holder Fastening Screw	.05	S-252-A	Shutter Adjusting Screw	
S-134-E	Film Trap Door Holder Screw	.50	S-253-A	Shutter Adjusting Slide Lock Screw	
S-137-C	Film Trap Door Trip Lever Screw	.25	S-436-G	Shutter Shaft Collar Set Screw	
S-698-E	Film Protector Fastening Screw for P-325-E	.10	S-165-F	Shutter Spider Clamping Screw	
S-432-E	Film Trap Shoe Fastening Screw	.05	S-437-G	Shutter Spiral Gear Set Screw	
S-725-BB	Fly Wheel Lock Nut Screw	.15	S-218-L	Slide Over Arm Pivot Set Screw	
S-512-B	Fly Wheel Set Screw	.10	S-438-M	Speed Adjusting Rod Knob Set Screw	
S-692-B	Fly Wheel Set Screw (New Style)	.10	S-193-C	Sprocket Roller Arm Pivot Screw	
S-494-A	Focusing Rack Retaining Screw	.15	S-194-C	Sprocket Roller Arm Stop Screw	
S-223-G	Framing Slide Lever Stud Set Screw	.10	S-177-E	Star Wheel Shaft Collar Screw (2) each	
S-493-C	Governor Lift Lever Screw	.10	S-469-X	Tension Pulley Carrier Roller Screw	
S-151-D	Governor Link Holder Screw	.05	S-398-Q	Upper & Lower Carbon Contact Piece Connection Screw	
S-100-E	Governor Weight Pivot Screw	.05	S-186-F	Upper & Lower Carbon Holder Wing Screw	
S-145-G	Intermediate Gear Washer Retain Screw	.05	S-121-D	Upper & Lower Feed Sprocket Wheel Set Screw	
S-442-G	Intermediate Shaft Retaining Collar Set Screw	.05	S-192-D	Upper & Lower Left Door Hinge Fastening Screw	
S-157-B	Intermittent Case Cover Lock Screw	.10	S-189-W	Upper & Lower Magazine Arm Fastening Screw	
S-125-B	Intermittent Case Eccentric Bushing Fastening Screw	.05	S-427-U	Upper & Lower Magazine Glass Retain Plate Fastening Screw	
S-463-X	Internal Friction Disc Driving Set Screw	.10	S-485-W	Upper & Lower Magazine Roller Holder Pivot Screw	
S-170-R	Lamphouse Base Fastening Wing Screw	.50	S-726-BB	Fly Wheel Shaft	
S-177-E	Lateral Guide Roller Shaft Collar Set Screw	.05	S-454-B	Fly Wheel Shaft	
S-178-D	Left Door Knob Screw	.05	S-286-B	Fly Wheel Shaft (Old Style)	
S-180-D	Left Door Lower Lock Screw	.20	S-287-A	Handle Shaft	
S-181-D	Left Door Stop Link Screw	.15			
S-467-X	Main Frame Clamp Screw	.25			
S-105-R	Mechanism Fastening Wing Screw	.70			

Please specify clearly numbers and descriptions of parts ordered.

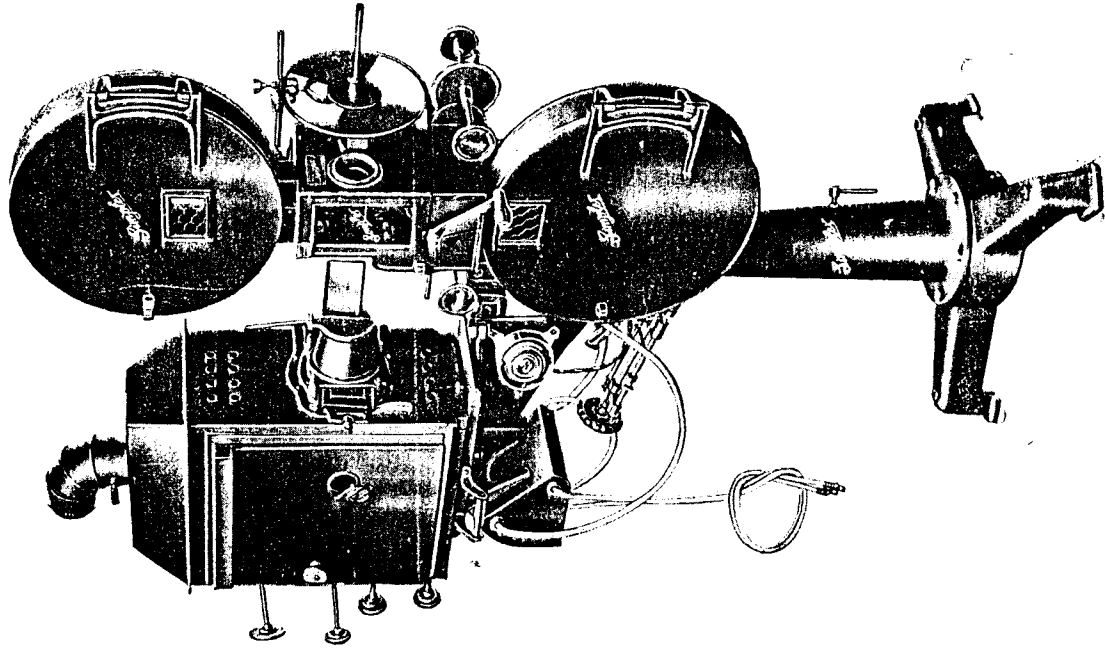
Please specify clearly numbers and descriptions of parts ordered.

Part No.	Description	Price	Part No.	Description
S-444-G	Intermediate Shaft	1.25	S-334-F	Lamp Adjusting Gear Friction Spring
S-292-E	Lateral Guide Roller Shaft	.10	S-337-E	Lateral Guide Roller Spring
S-429-G	Lower Sprocket Shaft	1.50	S-331-U	Lower Magazine Reel Shaft Friction Spring
S-295-M	Rewinder Reel Shaft Only	.45	S-569-C	Lower Pad Roller Arm Spring
S-447-G	Shutter Shaft (Old Style)	3.00	S-340-A	Lower Sprocket Roller Arm Spring (Old Style)
S-574-G	Shutter Shaft	1.45	S-341-G	Picture Framing Handle Friction Spring
S-446-G	Spiral Driving Gear Shaft	2.10	S-342-C	Projecting Lens Holder Slide Guide Rod Spring
S-551-B	Star Wheel and Shaft	6.25	S-345-M	Rewinder Reel Shaft Plunger Spring
S-703-U	Take-up Shaft Only	1.40	S-346-D	Right Back Cover Hinge Spring
S-702-U	Top Reel Shaft Only	1.30	S-472-X	Square Rod Friction Spring
S-445-G	Top Sprocket Shaft	1.00	S-524-X	Starting Rod Friction Spring
S-305-Y	Upper Sprocket Shaft (Old Style)	1.35	S-335-F	Top Carbon Feed Sub-Bracket Tension Spring
S-550-G	Vertical Shaft	1.25	S-570-C	Upper Pad Roller Arm Spring
S-580-E	Double Tension Shoe	.25	S-352-U	Upper Reel Friction Spring
S-735-X	External Friction Disc Stud Shoe	.25	S-353-A	Upper Sprocket Roller Arm Spring (Old Style)
S-309-E	Film Trap Shoe	1.35	S-750-BB	Intermittent Sprocket
S-310-E	Film Trap Door Shoe Left	.35	S-731-BB	Intermittent Film Stripper
S-311-E	Film Trap Door Shoe Right	.35	S-508-D	Intermittent Sprocket Stripper
S-489-E	Film Trap Shoe (Left "A")	.60	S-572-C	Upper & Lower Sprocket Stripper
S-487-E	Film Trap Shoe (Left "B")	1.60	S-634-L	Pedestal Stand
S-488-E	Film Trap Shoe (Right "A")	.60	S-701-L	39" Pedestal Stand
S-486-E	Film Trap Shoe (Right "B")	1.60	S-730-BB	Star Wheel and Shaft
S-693-B	Fly Wheel Set Screw Shoe	.10	S-367-E	Film Trap Door Holder Stud
S-314-E	Intermittent Sprocket Shoe Left	.20	S-514-E	Fire Shutter Lifting Stud
S-313-E	Intermittent Sprocket Shoe Right	.20	S-606-I	Lamp Holder Front Cover Stud
S-315-M	Rewinder Fastening Screw Shoe	.15	S-607-I	Lamp Holder Rear Contact Stud
S-322-C	Projecting Lens Holder Slide	.70	S-575-X	Motor Pinion Stud
S-323-A	Shutter Adjusting Slide	1.20	S-573-C	Upper & Lower Sprocket Stripper Stud
S-471-X	Belt Tension Spring	.20	S-387-L	60 Ampere Switch
S-581-E	Double Tension Shoe Spring	.20	S-388-Z	100 Ampere Switch
S-326-E	Film Guide Retaining Spring	.10	T-118-S	Motor Table
S-327-E	Film Trap Door Holder Spring	.10	T-101-E	Film Trap Door Thimble
S-328-E	Film Trap Door Pad Spring	.15	T-102-W	Friction Adjusting Thimble
S-329-C	Film Trap Door Trip Lever Spring	.05	"U"	Upper Magazine Assembly
S-330-G	Framing Slide Lever Spring	.20	U-1	Magazine Latch
S-332-P	Friction Brake Lever Spring	.10		
S-470-X	Friction Spring	.15		
S-333-F	Lamp Adjusting Bracket Plate Spring	.15		

Please specify clearly numbers and descriptions of parts ordered.

Please specify clearly numbers and descriptions of parts ordered.

Part No.	Description	Price
U-3	Upper Take-up Shaft Complete	2.70
U-4	Clamp Collar & Screw	.75
U-5	Old Style 14" Magazine Hinge	1.45
Hinge:		
"W"	Lower Magazine Assembly	35.00
W-1	Lower Magazine Roller Holder & Rollers	4.20
W-5	Lower Take-up Shaft (Assembly)	2.75
W-6	High Speed Take-up Pulley With Pins	3.00
W-7	Low Speed Take-up Pulley With Pins	3.00
W-191-BB	Fly Wheel	12.00
W-105-B	Fly Wheel Gear Thrust Washer	.20
W-140-G	Intermediate Gear Retaining Washer	.10
W-142-X	Motor Pinion Friction Disc Thrust Washer	.30
W-116-S	Motor Table Attachment Bolt Washer	.05
W-187-L	Pedestal Bolt Washer	.15
W-118-C	Projecting Lens Holder Slide Rod Washer	.05
W-122-B	Star Wheel Cam Washer	.30
W-163-W	Take-up Friction Leather Washer	.15
W-124-G	Vertical Shaft Washer	.10
W-125-G	Vertical Shaft Washer No. 2	.20
W-102-F	Upper & Lower Carbon Holder Bracket Insulating Washers, per lb	3.00
W-189-Q	Upper & Lower Carbon Holder Insulation Washers, per lb	2.00
W-101-F	Upper & Lower Carbon Holder Lug Washer	.10
W-160-C	Upper & Lower Pad Roller Arm Retain Washer	.10
W-152-B	Fly Wheel	4.20
W-129-P	Friction Brake Wheel	1.00
W-131-B	Intermittent Sprocket Wheel	5.25
W-127-D	Lower Feed Sprocket (Old Style)	3.00
W-146-D	Lower Feed Sprocket	3.00
W-145-D	Upper Feed Sprocket	3.00
W-141-D	Upper Feed Sprocket (Old Style)	3.00
W-150-Q	"S" type Lamphouse Wrench	1.00
"X"	Speed Control Assembly	50.00
X-7	External Friction Disc	4.50
X-8	Motor Pinion Friction Disc	6.50
X-11	Speed Control Main Pulley	3.50
X-16	Leather Friction Disc	8.00



Please specify clearly numbers and descriptions of parts ordered.

SIMPLEX TYPE "S" SPECIAL PROJECTOR

Complete Descriptive Matter Mailed on Request