

Film-Tech

The information contained in this Adobe Acrobat pdf file is provided at your own risk and good judgment.

These manuals are designed to facilitate the exchange of information related to cinema projection and film handling, with no warranties nor obligations from the authors, for qualified field service engineers.

If you are not a qualified technician, please make no adjustments to anything you may read about in these Adobe manual downloads.

www.film-tech.com

SIMPLEX E-7 PROJECTOR

EDWARD H. WOLK, INC.

921 SOUTH JEFFERSON ST.

CHICAGO, ILL. 60607

PHONE: 1-800-621-4424 or (312) 939-2720

FAX: (312) 939-0654 WEB: www.edwolk.com

Make Parts-Ordering **AS SIMPLE AS A-B-C!**

IN PLANNING this book we had only *one* objective—to enable you to place your order for replacement parts quickly and accurately, avoiding the costly, time-consuming errors which often result in interrupted performance and lost revenue.

That is why we have spared no time, effort and expense in making this a book which will literally place the information you want right at your fingertips.

We have given particular attention to the illustrations and have used the modern art technique known as the “exploded view” in which each part may be clearly seen in relation to its associated units in each assembly.

We believe you will find that with this book as a guide, ordering Simplex parts becomes as simple as A-B-C—

A—*Locate the part you want on the illustration.*

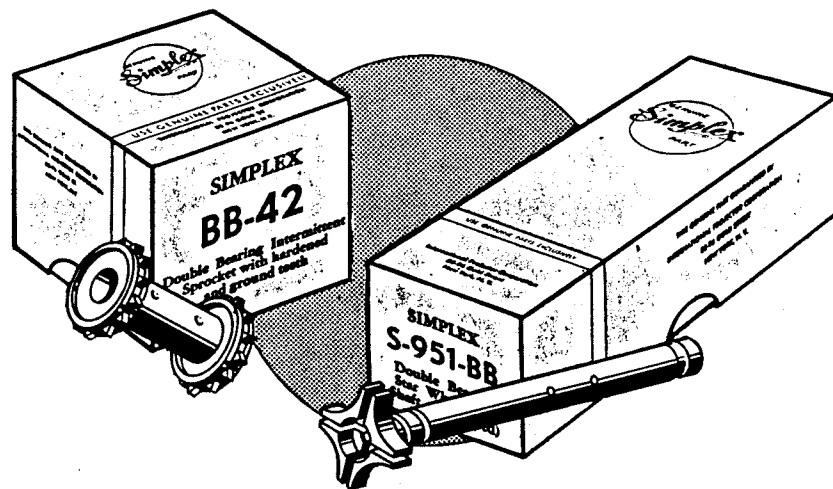
B—*Jot down the part number.*

C—*Place your order with your nearest NATIONAL branch.*

USE ONLY **GENUINE** *Simplex* PARTS

*Safeguard your
most Valuable Assets*

GOOD PROJECTION • PLEASED PATRONS
with Genuine
SIMPLEX PARTS



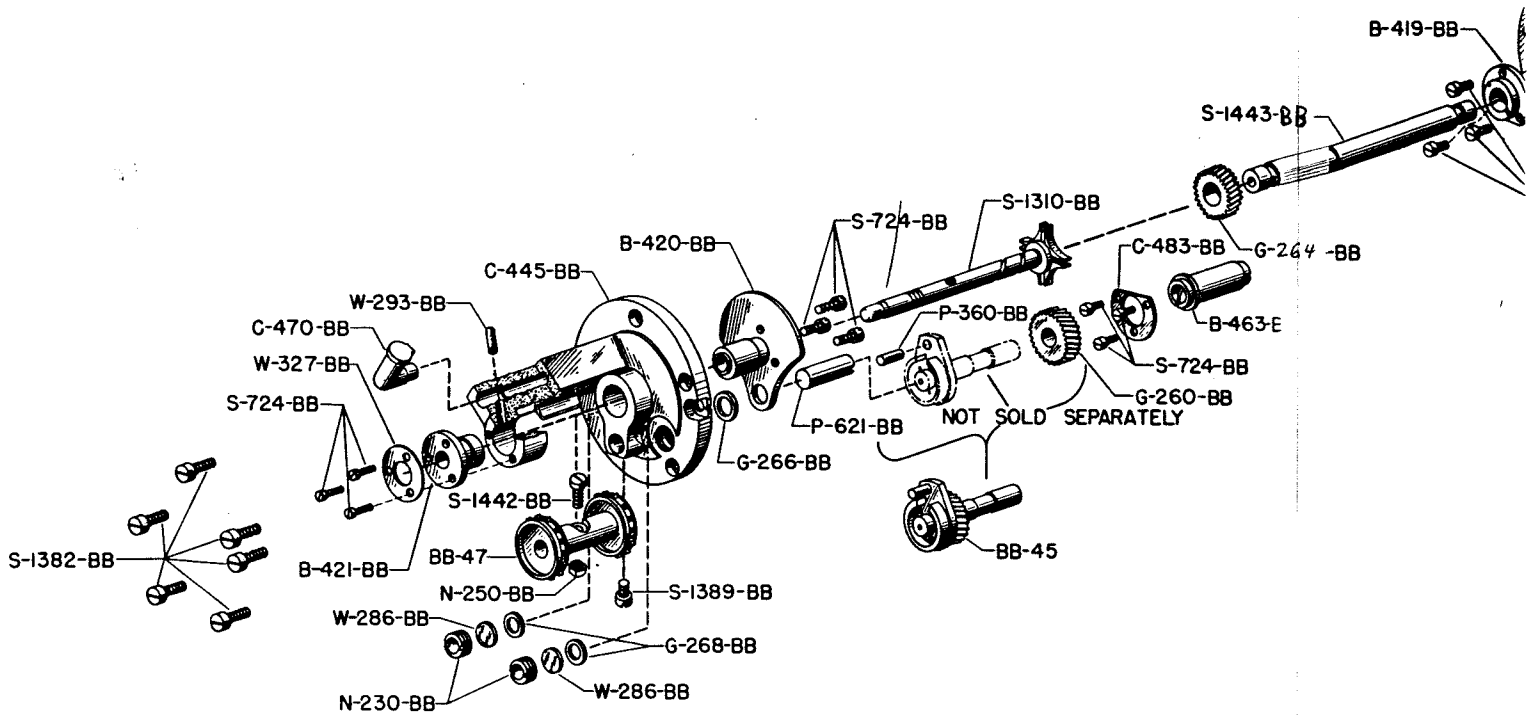
Join the ranks of SIMPLEX Owners for they are the ones that lead all others in loyalty to the Projectors and Parts they are using today. Men who have seen them at work for well over three decades—men who have put their trust in them and found their confidence justified—they are the men that proudly tell others about the extraordinary performance and rugged dependability of Simplex Projectors and Simplex Parts.

And when replacement parts are necessary, demand and use only Genuine Simplex Parts—packed in the distinctive yellow and black box—your guarantee of Better Projection.

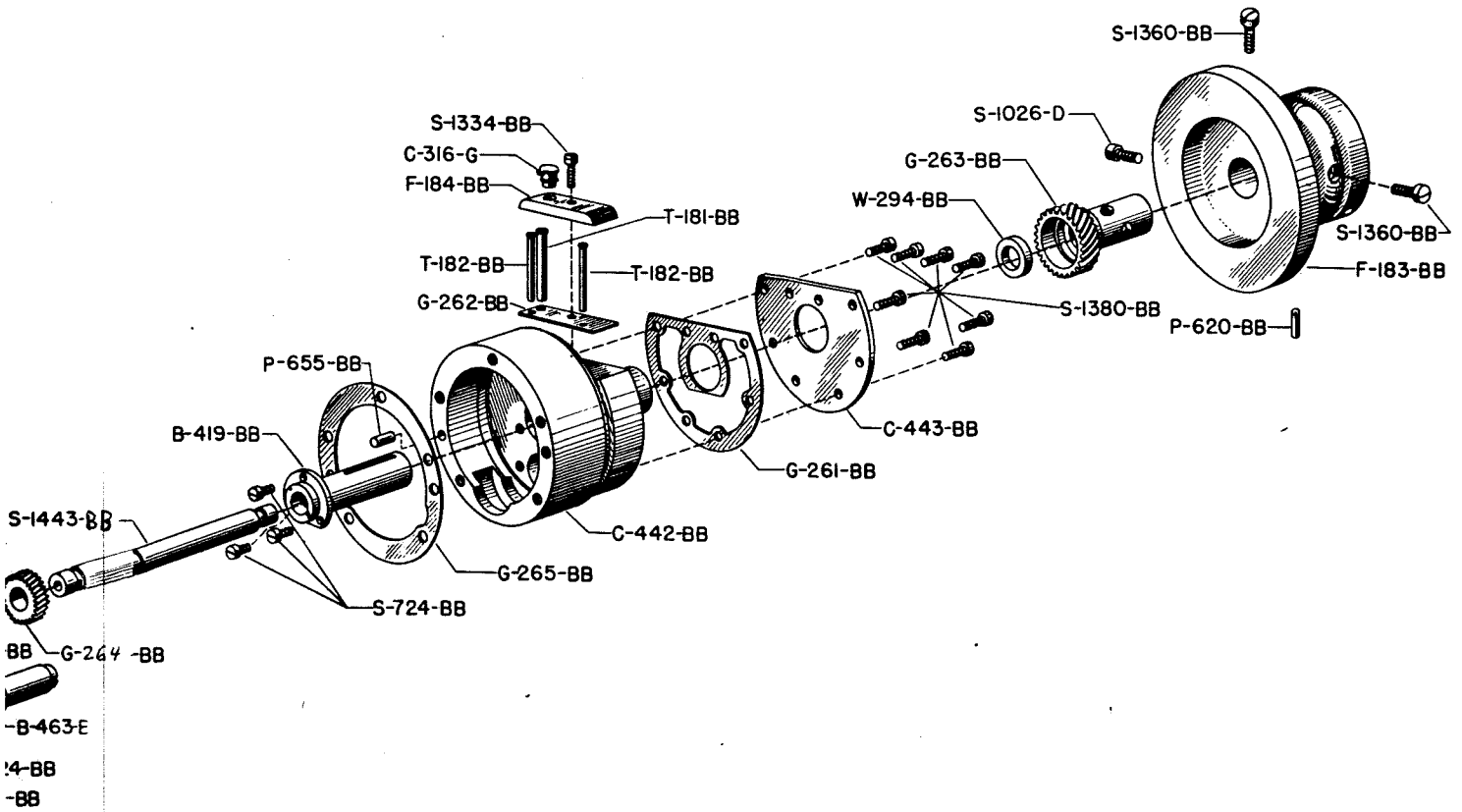
BETTER PROJECTION PAYS

TABLE OF CONTENTS

Automatic Fire Shutter and Trip Lever Device.....	11
Doors and Covers.....	42-43
Film Trap.....	14-15
Film Trap Door.....	12-13
Film Trap Door Holding and Locking Device.....	16-17
Framing and Shutter Adjusting Device.....	28-29
Front and Rear Shutters and Associated Parts.....	38-40
Intermediate Gear and Stud.....	19
Intermittent Movement.....	9-10
Lens Holder.....	46-47
Lower Sprocket and Associated Parts.....	26-27
Main Drive Gear and Stud.....	18
Main Frame - Film Side.....	34-35
Main Frame - Gear Side.....	36-37
Oblique Shaft and Associated Parts.....	20-21
One Shot Oiling System.....	32-33
Shutter Shaft and Associated Parts.....	22-23
Spot Sight Box.....	30-31
Threading Lamp Receptacle.....	41
Top Plate and Associated Parts.....	44-45
Upper Sprocket and Associated Parts.....	24-25
Price List.....	49-52



INTERMITTENT MOVEMENT



TERMITTENT MOVEMENT

INTERMITTENT MOVEMENT

BB-46 INTERMITTENT MOVEMENT COMPLETE

ASSEMBLIES

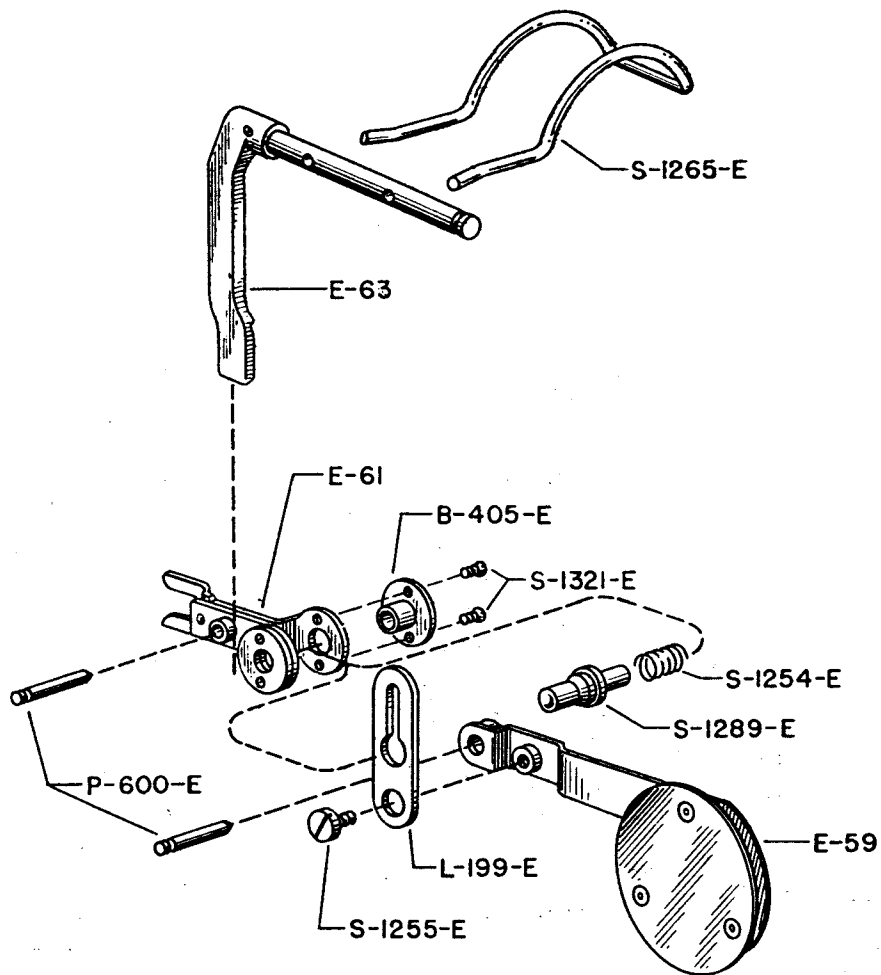
- BB-43 INTERMITTENT FLYWHEEL AND LOCATING PIN ASSEMBLY
F-183-BB P-620-BB S-1026-D
- BB-45 INTERMITTENT CAM, GEAR AND PIN ASSEMBLY
G-260-BB P-360-BB
- BB-47 INTERMITTENT SPROCKET ASSEMBLY LAVEZZI # 416TL31B
N-250-BB S-1442-BB
- BB-53 INTERMITTENT FLYWHEEL SHAFT AND GEAR ASSEMBLY
G-264-BB S-1443-BB

PARTS

- B-419-BB Flywheel Shaft Bearing
B-420-BB Starwheel Shaft Inner Bearing
B-421-BB Starwheel Shaft Outer Bearing
B-463-BB Starwheel Cam Eccentric Bearing
C-316-BB Vent Tube Flange Oil Cup
C-442-BB Intermittent Case
C-443-BB Intermittent Case Oil Back Cover
C-445-BB Intermittent Case Cover and Arm
C-470-BB Intermittent Case Cover and Arm Oil Cup
C-483-BB Starwheel Cam Bearing Clamp
F-183-BB Intermittent Flywheel
F-184-BB Vent Tube Flange
G-260-BB Intermittent Cam Gear
G-261-BB Intermittent Case Oil Cover Gasket
G-262-BB Vent Tube Fastening Flange Gasket
G-263-BB Flywheel Driven Gear
G-264-BB Flywheel Shaft Gear
G-265-BB Oil Gasket
G-266-BB Cam Shaft Thrust Plug Oil Seal Gasket
G-268-BB Oil Sight Gasket (2)
N-230-BB Oil Sight Retaining Nut (2)
N-250-BB Intermittent Sprocket Screw Nut
P-360-BB Intermittent Cam Pin
P-620-BB Flywheel Locating Pin
P-621-BB Intermittent Cam Shaft Thrust Plug
P-655-BB Intermittent Case Cover Locating Pin

INTERMITTENT MOVEMENT (continued)

S-724-BB	Bearing Fastening Screw (12)
S-1026-D	Flywheel Clamping Screw
S-1310-BB	Starwheel and Shaft
S-1334-BB	Vent Tube Flange Screw
S-1360-BB	Flywheel Driven Gear Fastening Screw (2)
S-1380-BB	Intermittent Case Rear Cover Fastening Screw (8)
S-1382-BB	Intermittent Case Cover Fastening Screw (6)
S-1389-BB	Starwheel Cam Thrust Plug Screw
S-1442-BB	Intermittent Sprocket Screw
S-1443-BB	Flywheel Shaft
T-181-BB	Intermittent Case Oiling Tube
T-182-BB	Intermittent Case Air Vent Tube (2)
W-286-BB	Intermittent Oil Sight Glass (2)
W-293-BB	Starwheel Outer Bearing Oil Wick
W-294-BB	Flywheel Gear Oil Retaining Washer
W-327-BB	Starwheel Shaft Outer Bearing Washer



AUTOMATIC FIRE SHUTTER AND TRIP LEVER DEVICE

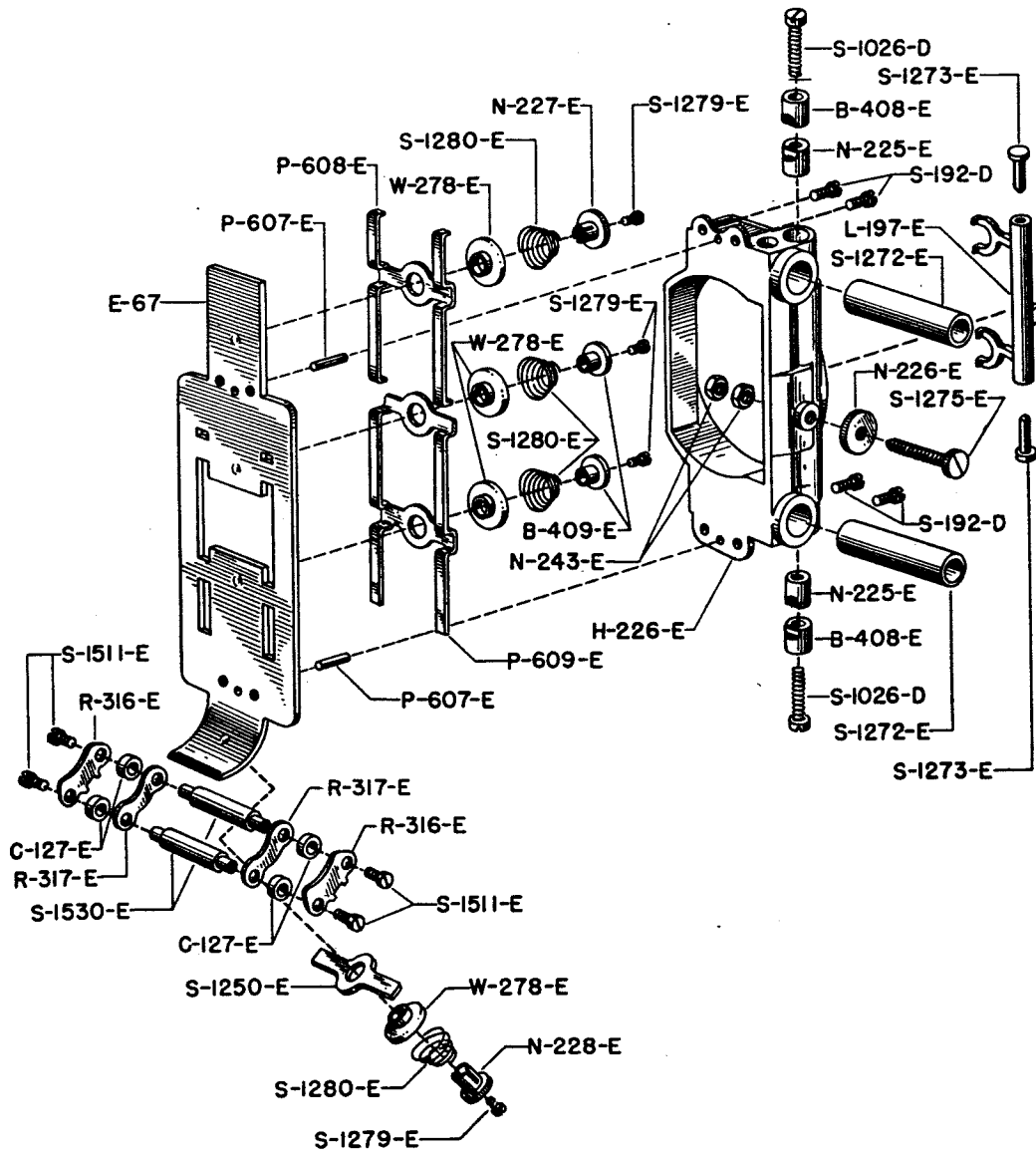
ASSEMBLIES

E-60 FIRE SHUTTER LIFT LEVER STUD AND LINK ASSEMBLY

B-405-E	Fire Shutter Lift Lever Bushing
E-61	Fire Shutter Lift Lever
L-199-E	Fire Shutter Connecting Link
S-1254-E	Fire Shutter Lifting Stud Spring
S-1289-E	Fire Shutter Lifting Stud
S-1321-E	Fire Shutter Lifting Lever Screw (2)

PARTS

E-59	Fire Shutter and Bushing
E-63	Fire Shutter Trip Lever and Shaft
P-600-E	Fire Shutter and Lift Lever Pivot (2)
S-1255-E	Fire Shutter Connecting Link Screw
S-1265-E	Film Loop Shoe



FILM TRAP DOOR

F I L M T R A P D O O R

E-78 FILM TRAP DOOR COMPLETE

ASSEMBLIES

E-67 FILM TRAP DOOR AND STUDS ASSEMBLY

P-607-E (2)

E-73 INTERMITTENT SPROCKET TENSION SHOE ASSEMBLY

C-127-E (4)

R-317-E (2)

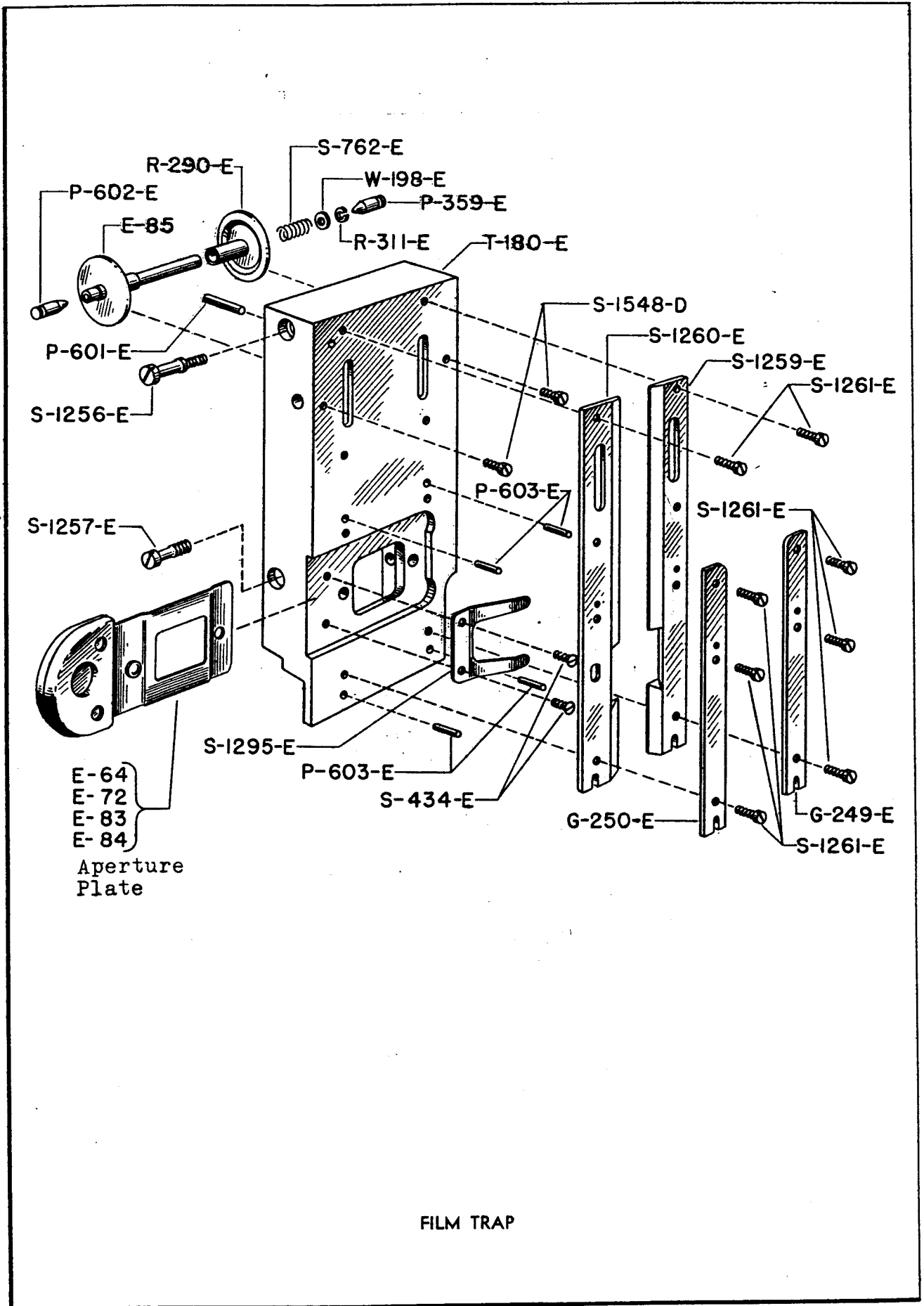
S-1530-E (2)

R-316-E (2)

S-1511-E (4)

PARTS

B-408-E	Door Holder Sleeve Clamp Bushing (2)
B-409-E	Aperture Pad Spring Bushing (2)
C-127-E	Intermittent Sprocket Tension Shoe Spacer (4)
H-226-E	Film Trap Door Holder
L-197-E	Film Trap Support Lock
N-225-E	Door Holder Adjusting Sleeve Clamp Nut (2)
N-226-E	Door Pad Adjusting Screw Lock Nut
N-227-E	Guide Roller Pad Spring Adjusting Nut
N-228-E	Sprocket Shoe Spring Adjusting Nut
N-243-E	Pad Adjusting Screw Lock Nut (2)
P-607-E	Door Holder Dowel Pin (2)
P-608-E	Door Guide Roller Pad
P-609-E	Door Aperture Pressure Pad
R-316-E	Intermittent Sprocket Tension Shoe Runner (Outside) (2)
R-317-E	Intermittent Sprocket Tension Shoe Runner (Inside) (2)
S-192-D	Door Holder Fastening Screw (4)
S-1026-D	Sleeve Adjusting Clamp Screw (2)
S-1250-E	Sprocket Shoe Spring Support
S-1272-E	Door Holder Adjusting Sleeve (2)
S-1273-E	Door Pad Pressure Lever Stud (2)
S-1275-E	Door Pad Adjusting Screw
S-1279-E	Door Pad Guide Stud Screw (4)
S-1280-E	Aperture Pad Spring (4)
S-1511-E	Sprocket Tension Shoe Stud Screw (4)
S-1530-E	Intermittent Sprocket Tension Shoe Stud (2)
W-278-E	Spring Pressure Cup Washer (4)



FILM TRAP

F I L M T R A P

E-77 FILM TRAP COMPLETE

ASSEMBLIES

E-94 LATERAL GUIDE ROLLER ASSEMBLY

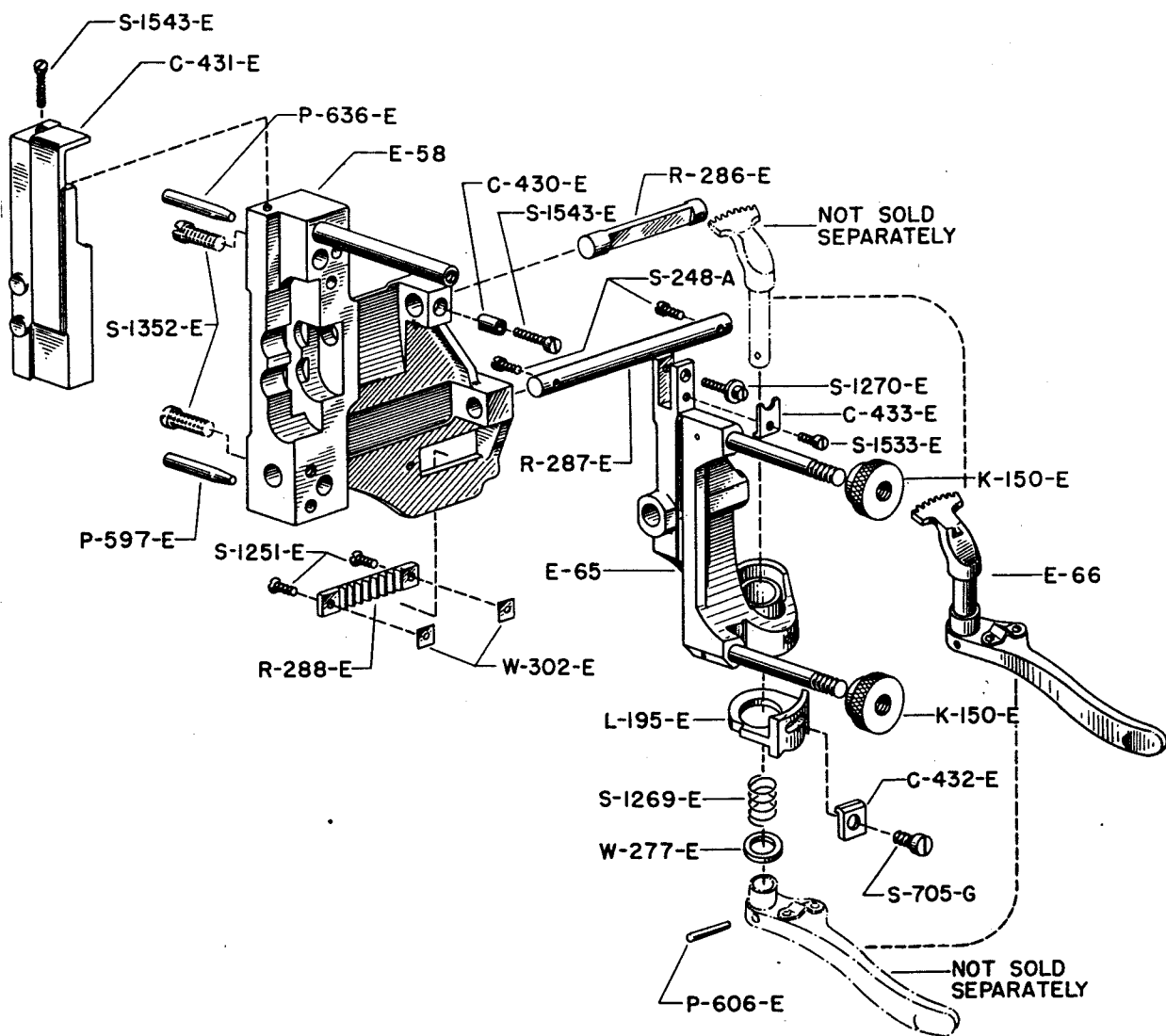
E-85	R-311-E	W-198-E
R-290-E	S-762-E	

PARTS

E-72	Aperture Plate, Square Corners (.600" X .825")	1.33
E-85	Lateral Guide Roller and Shaft	
G-249-E	Aperture Shoe Guide (Outside)	
G-250-E	Aperture Shoe Guide (Inside)	
P-359-E	Lateral Guide Roller Pivot (Inside)	
P-601-E	Film Trap Guide Stud Screw Pin	
P-602-E	Lateral Guide Roller Shaft Pivot (Outside)	
P-603-E	Aperture Shoe Gib Dowel Pin (4)	
R-290-E	Lateral Guide Roller	
R-311-E	Lateral Guide Roller Washer Retainer	
S-434-E	Aperture Plate Friction Spring Fastening Screw (2)	
S-762-E	Guide Roller Spring	
S-1256-E	Film Trap Guide Stud Screw	
S-1257-E	Film Trap Fastening Screw	
S-1259-E	Aperture Shoe (Inside)	
S-1260-E	Aperture Shoe (Outside)	
S-1261-E	Aperture Shoe Fastening Screw (8)	
S-1295-E	Aperture Plate Friction Spring	
S-1548-D	Guide Roller Pivot Fastening Screw (2)	
T-180-E	Film Trap	
W-198-E	Lateral Guide Roller Spring Retaining Washer	

OPTIONAL APERTURE PLATES

E-64	Aperture Plate, Round Corners (.600" X .825")	1.33
E-83	Aperture Plate, Blank	
E-84	Aperture Plate, Square Corners, (Undersize: .600" X .800")	1.33:1
E-72-3	Aperture Plate, 1.85:1, Flat	
E-72-4	Aperture Plate, 1.85:1, Flat, Undersize	
E-72-13	Aperture Plate, 2.35:1, Scope	
E-72-14	Aperture Plate, 2.35:1, Scope, Undersize	
E-72-0	Aperture Plate, 1.33:1, Std., Undersize	



FILM TRAP DOOR HOLDER AND LOCKING DEVICE

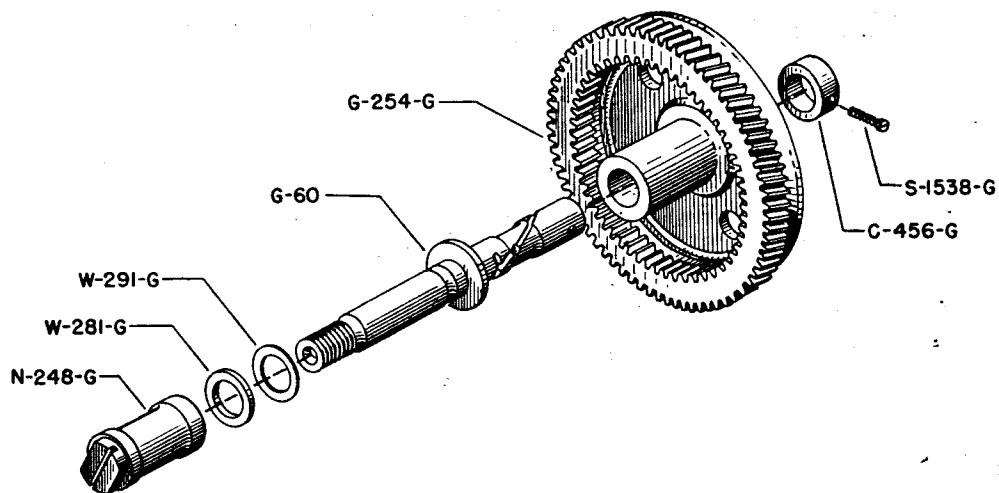
FILM TRAP DOOR HOLDER AND LOCKING DEVICE

ASSEMBLIES

- E-58 FILM TRAP MOUNTING BRACKET ASSEMBLY**
P-597-E Film Trap Dowel Pin (Lower)
P-636-E Film Trap Dowel Pin (Upper)
- E-66 FILM TRAP SHIFTING LEVER AND SEGMENT ASSEMBLY**
P-606-E Shifting Lever Taper Pin

PARTS

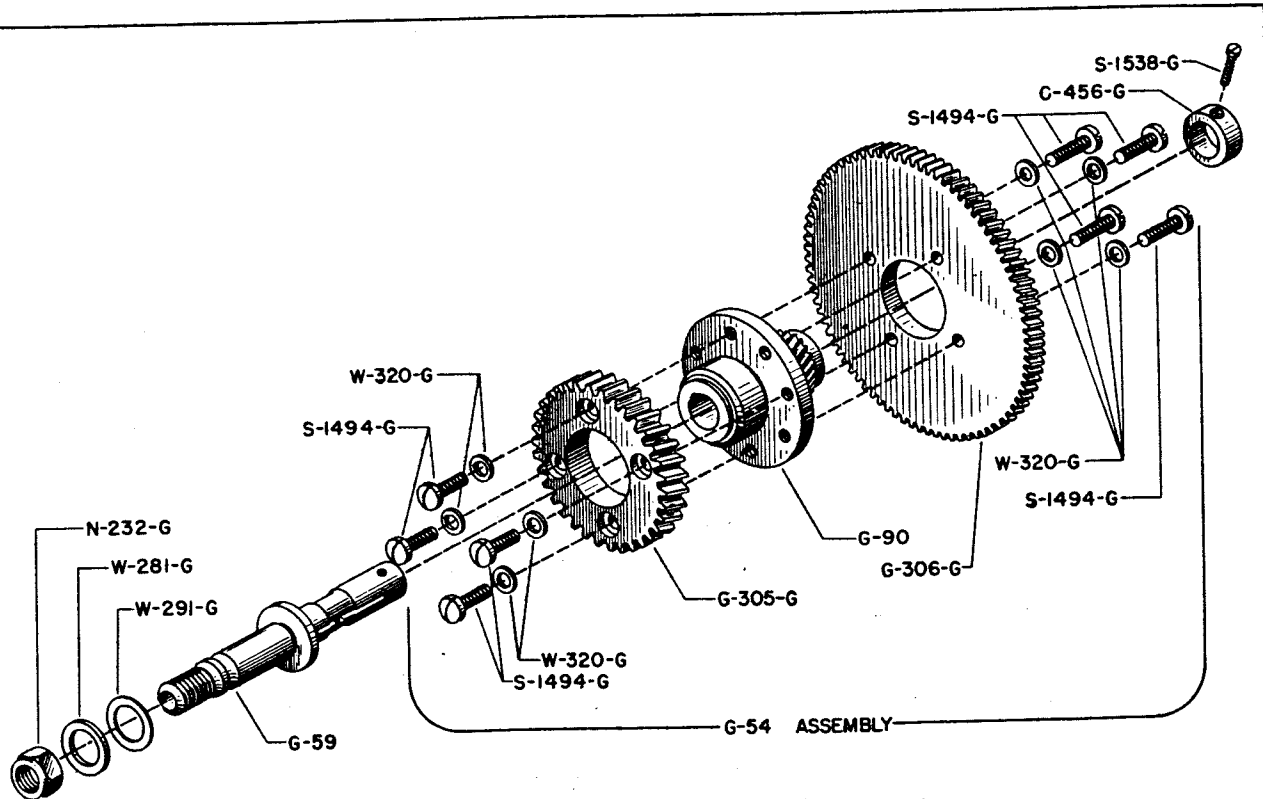
- C-430-E Door Holder Support Rod Guide Clamp
C-431-E Fire Shutter Lift Lever Cover
C-432-E Film Trap Support Lock Clamp
C-433-E Door Support Rod Clamp
E-65 Film Trap Lever Support
K-150-E Film Trap Door Clamping Knob (2)
L-195-E Film Trap Support Lock
R-286-E Door Holder Support Guide Rod
R-287-E Door Holder Support Rod
R-288-E Film Trap Shifting Segment Rack
S-248-A Door Holder Support Rod Screw (2)
S-705-G Door Support Lock Clamp Screw
S-1251-E Film Trap Shifting Rack Screw (2)
S-1269-E Film Trap Shifting Lever Spring
S-1270-E Door Support Rod Guide Clamp Screw
S-1352-E Film Trap Mounting Bracket Fastening Screw (2)
S-1533-E Door Support Rod Clamp Screw
S-1543-E Fastening Screw (for C-431-E and R-286-E) (2)
W-277-E Film Trap Shifting Lever Washer
W-302-E Film Trap Rack Shim (Used only when required) (2)



MAIN DRIVE GEAR AND STUD

PARTS

C-456-G	Main Drive Stud Thrust Collar
G-60	Main Drive Gear Stud
G-254-G	Main Drive Gear
N-248-G	Main Drive Gear Stud Nut
S-1538-G	Main Drive Stud Thrust Collar Fastening Screw
W-281-G	Main Drive Gear Stud Washer (Film Side)
W-291-G	Main Drive Gear Stud Washer (Gear Side)



INTERMEDIATE GEAR AND STUD

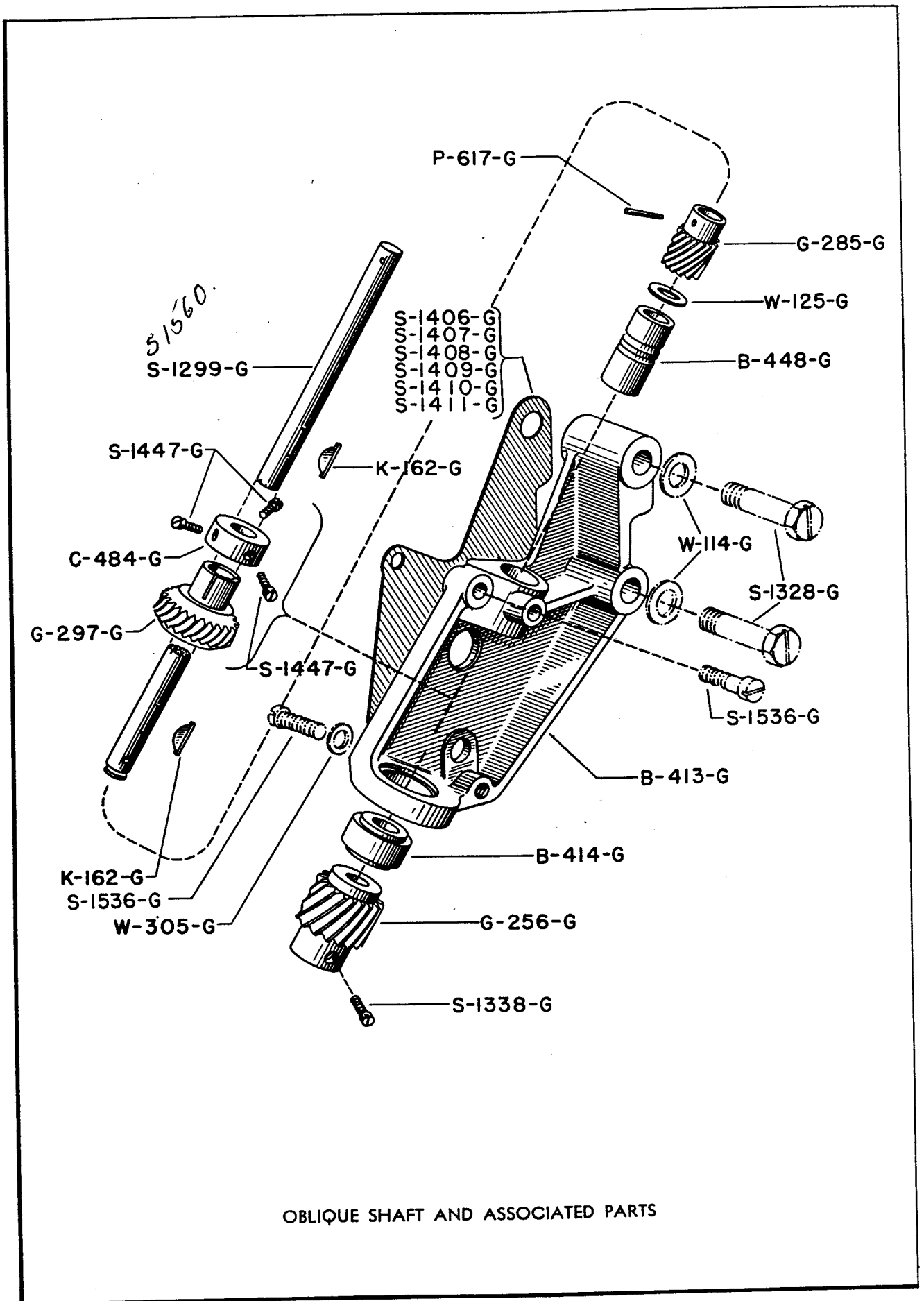
ASSEMBLIES

G-54 INTERMEDIATE GEAR ASSEMBLY

G-90	Intermediate Driven Gear and Hub
G-305-G	Oblique Shaft Driving Gear
G-306-G	Intermediate Driving Gear
S-1494-G	Intermediate and Oblique Shaft Driving Gear Fastening Screw (8)
W-320-G	Washer (for S-1494-G) (8)

PARTS

C-456-G	Intermediate Drive Gear Stud Thrust Collar
G-59	Intermediate Drive Gear Stud
N-232-G	Intermediate Stud Lock Nut
S-1538-G	Intermediate Drive Gear Stud Thrust Collar Fastening Screw
W-281-G	Intermediate Drive Gear Stud Lock Nut Washer (Film Side)
W-291-G	Intermediate Drive Gear Stud Lock Nut Washer (Gear Side)



OBLIQUE SHAFT AND ASSOCIATED PARTS

OBLIQUE SHAFT AND ASSOCIATED PARTS

ASSEMBLIES

G-53 OBLIQUE SHAFT BRACKET AND BUSHING ASSEMBLY

B-413-G Oblique Shaft Bracket
B-448-G Oblique Shaft Bracket Bushing

G-85 OBLIQUE SHAFT AND UPPER SPROCKET GEAR ASSEMBLY (INCLUDED IN G-88)

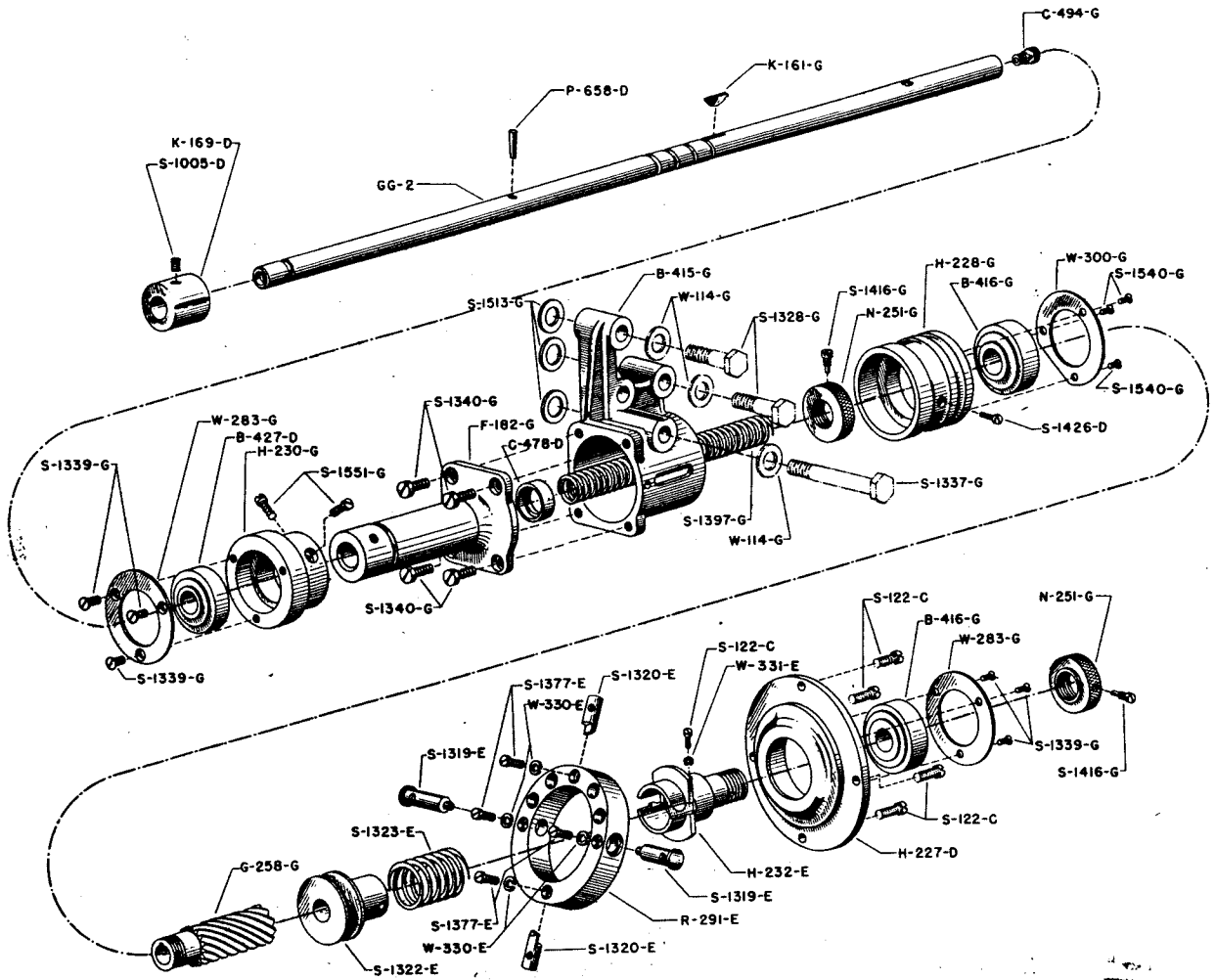
G-285-G Oblique Shaft Upper Sprocket Driving Gear
P-617-G Oblique Shaft Upper Sprocket Driving Gear Pin
S-1299-G Oblique Shaft

G-88 OBLIQUE SHAFT AND GEARS ASSEMBLY

C-484-G Oblique Shaft Shutter Driving Gear Collar
G-285-G Oblique Shaft Upper Sprocket Driving Gear
G-297-G Oblique Shaft Shutter Driving Gear
K-162-G Oblique Shaft Key (2)
P-617-G Oblique Shaft Upper Sprocket Driving Gear Pin
S-1299-G Oblique Shaft
S-1447-G Oblique Shaft Shutter Driving Gear Collar Screw (3)

PARTS

B-413-G Oblique Shaft Bracket
B-414-G Oblique Shaft Bracket Ball Bearing
B-448-G Oblique Shaft Bracket Bushing
G-256-G Oblique Shaft Driven Gear
S-1328-G Oblique Shaft Bracket Fastening Screw (2)
S-1338-G Oblique Shaft Driven Gear Fastening Screw
S-1406-G Oblique Shaft Bracket Shim (.015")
S-1407-G Oblique Shaft Bracket Shim (.009")
S-1408-G Oblique Shaft Bracket Shim (.011")
S-1409-G Oblique Shaft Bracket Shim (.013")
S-1410-G Oblique Shaft Bracket Shim (.005")
S-1411-G Oblique Shaft Bracket Shim (.007")
S-1536-G Oblique Shaft Bracket Locating Screw (2)
W-114-G Oblique Shaft Bracket Fastening Screw Washer (2)
W-125-G Oblique Shaft Washer (Under G-285-G Gear)
W-305-G Oblique Shaft Bracket Locating Screw Washer



SHUTTER SHAFT AND ASSOCIATED PARTS

SHUTTER SHAFT AND ASSOCIATED PARTS

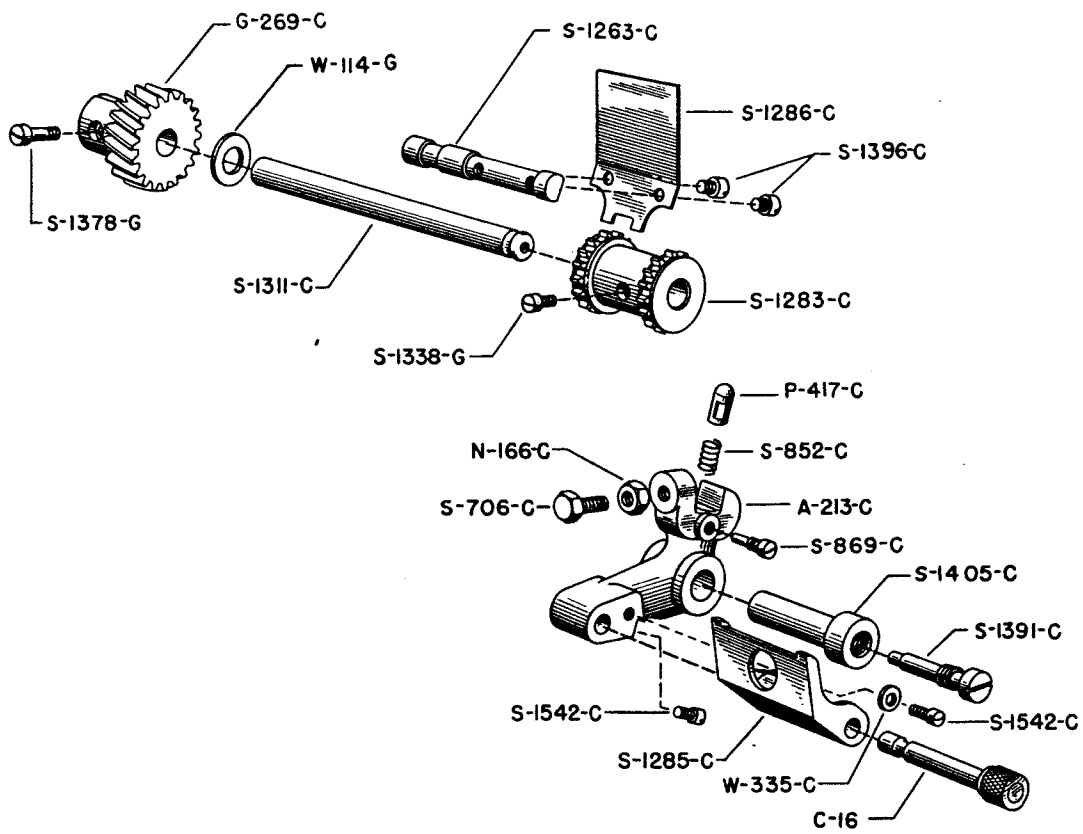
ASSEMBLIES

GG-2 SHUTTER SHAFT AND OIL CUP

C-494-G Shutter Shaft Oil Cup

PARTS

B-415-G	Floating Ball Bearing Bracket
B-416-G	Floating and Rear Ball Bearing (2)
B-427-D	Front Ball Bearing
C-478-D	Shutter Shaft Spring Collar
F-182-G	Front Ball Bearing Flange
G-258-G	Shutter Shaft Driven Gear
H-227-D	Rear Ball Bearing Housing
H-228-G	Floating Ball Bearing Housing
H-230-G	Front Ball Bearing Housing
H-232-E	Fire Shutter Governor Hub
K-161-G	Shutter Shaft Driven Gear Key
K-169-D	Shutter Shaft Indicator Knob
N-251-G	Floating and Rear Ball Bearing Clamp Nut (2)
P-658-D	Shutter Shaft Spring Collar Retaining Pin
R-291-E	Fire Shutter Governor Ring
S-122-C	Screw (for H-232-E and H-227-E) (5)
S-1005-D	Shutter Shaft Indicator Knob Fastening Screw
S-1319-E	Fire Shutter Governor Pivot Stud (2)
S-1320-E	Fire Shutter Governor Adjusting Stud (2)
S-1322-E	Fire Shutter Governor Control Sleeve
S-1323-E	Fire Shutter Governor Control Spring
S-1328-G	Floating Ball Bearing Bracket Fastening Screw (short) (2)
S-1337-G	Floating Ball Bearing Bracket Fastening Screw (long)
S-1339-G	Ball Bearing Retainer Washer Fastening Screw (6)
S-1340-G	Front Ball Bearing Flange Fastening Screw (4)
S-1377-E	Fire Shutter Pivot and Adjusting Stud Fastening Screw (4)
S-1397-G	Shutter Shaft Spring
S-1416-G	Floating and Rear Ball Bearing Clamping Nut Set Screw (2)
S-1426-D	Floating Ball Bearing Housing Guide Screw
S-1513-G	Shutter Shaft Bracket Shim (.005")
S-1514-G	Shutter Shaft Bracket Shim (.003")
S-1540-G	Floating Ball Bearing Retainer Washer Fastening Screw (3)
S-1551-G	Front Ball Bearing Housing Retaining Screw (2)
W-114-G	Floating Ball Bearing Fastening Screw Washer (3)
W-283-G	Front and Rear Ball Bearing Retainer Washer (2)
W-300-G	Floating Ball Bearing Retainer Washer
W-330-E	Lockwasher (for S-1377-E Screw) (4)
W-331-E	Lockwasher (Under S-122-C Screw on H-232-E Hub)

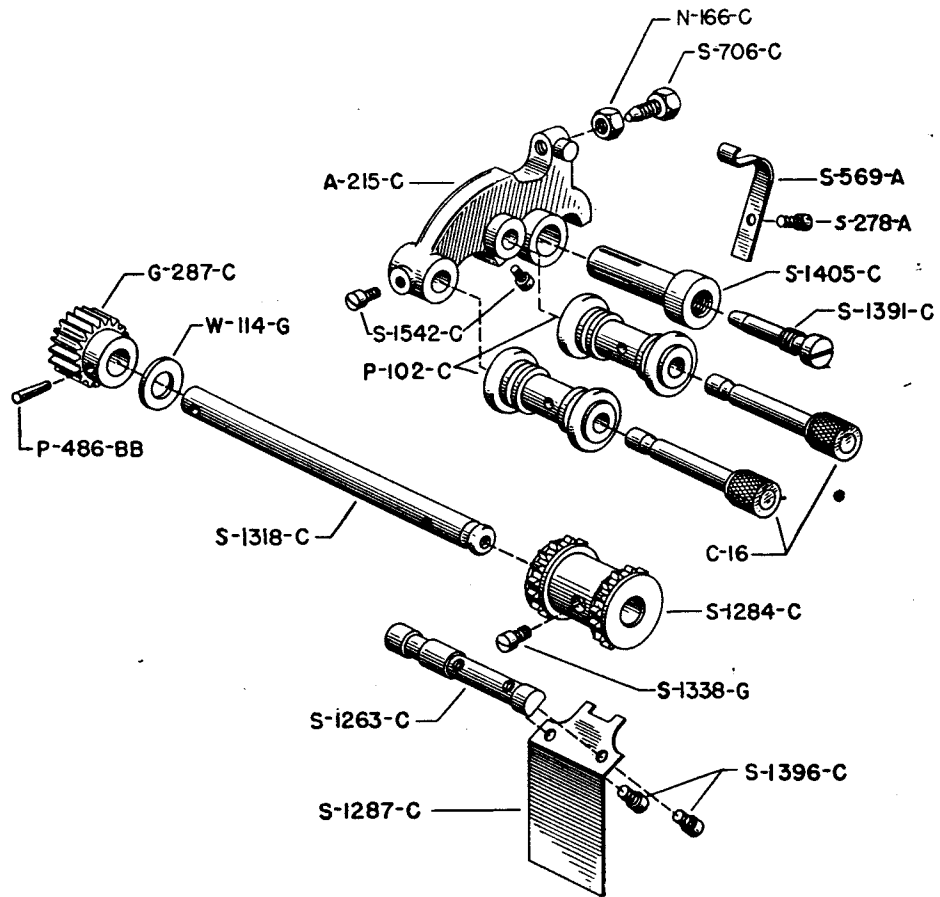


UPPER SPROCKET AND ASSOCIATED PARTS

UPPER SPROCKET AND ASSOCIATED PARTS

PARTS

A-213-C	Upper Pad Roller Arm
C-16	Upper Pad Roller Stud
G-269-C	Upper Sprocket Shaft Gear with Clamp Bushing
N-166-C	Pad Roller Arm Adjusting Nut
P-417-C	Upper Pad Roller Arm Plunger
S-706-C	Upper Pad Roller Arm Adjusting Screw
S-852-C	Upper Pad Roller Arm Plunger Spring
S-869-C	Upper Pad Roller Arm Plunger Screw
S-1263-C	Upper Sprocket Stripper Plate Stud
→ S-1283-C	Upper Sprocket LAVEZZI # 416GL31B
S-1285-C	Upper Sprocket Shoe
S-1286-C	Upper Sprocket Stripper Plate
S-1311-C	Upper Sprocket Shaft
S-1338-G	Upper Sprocket Set Screw
S-1378-G	Upper Sprocket Gear Fastening Screw
S-1391-C	Upper Pad Roller Arm Stud Screw
S-1396-C	Upper Sprocket Stripper Plate Fastening Screw (2)
S-1405-C	Upper Pad Roller Arm Stud
S-1542-C	Pad Roller Stud Retaining Screw (2)
W-114-G	Upper Sprocket Shaft Washer
W-335-C	Upper Sprocket Shoe Washer

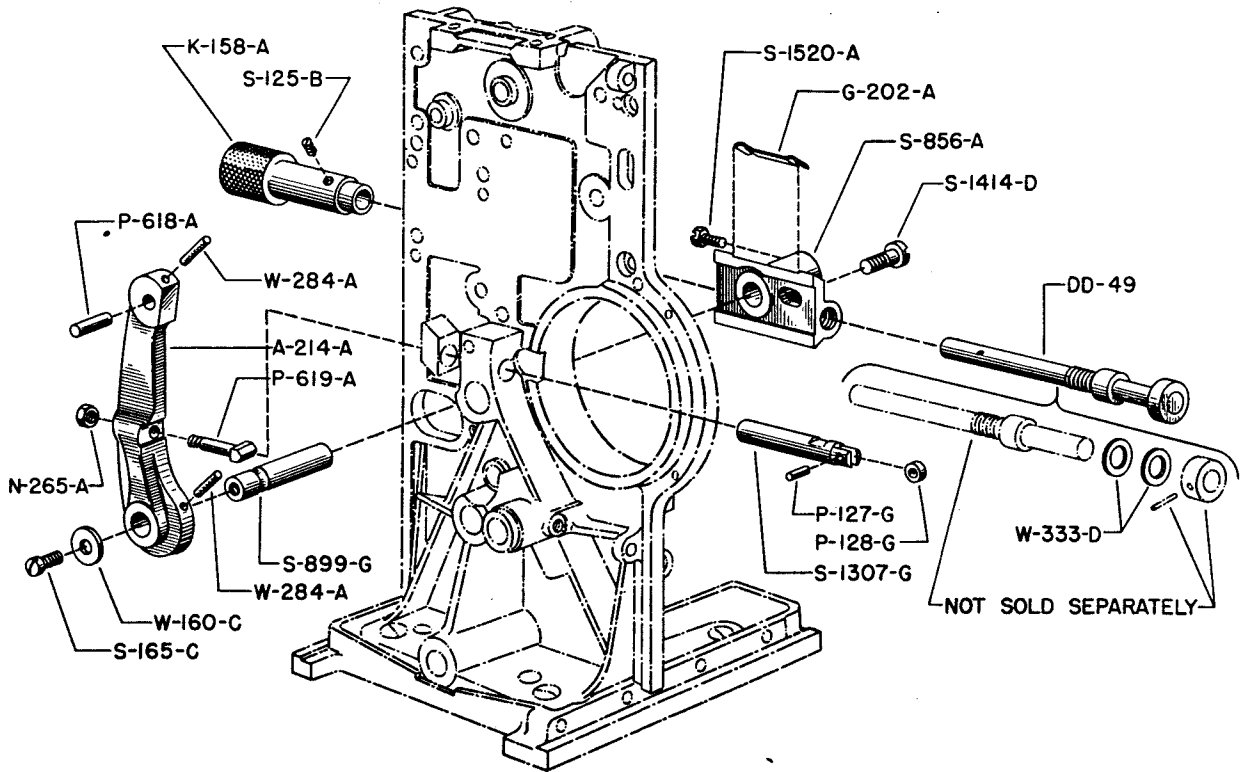


LOWER SPROCKET AND ASSOCIATED PARTS

LOWER SPROCKET AND ASSOCIATED PARTS

PARTS

A-215-C	Lower Pad Roller Arm
C-16	Lower Pad Roller Stud (2)
G-287-C	Lower Sprocket Shaft Gear
N-166-C	Pad Roller Arm Adjusting Nut
P-102-C	Pad Roller (2)
P-486-BB	Lower Sprocket Shaft Gear Taper Pin
S-278-A	Lower Pad Roller Arm Spring Fastening Screw
S-569-A	Lower Pad Roller Arm Spring
S-706-C	Lower Pad Roller Arm Adjusting Screw
S-1263-C	Lower Sprocket Stripper Plate Stud
→ S-1284-C	Lower Sprocket LAVEZZI # 416GL31B
S-1287-C	Lower Sprocket Stripper Plate
S-1318-C	Lower Sprocket Shaft
S-1338-G	Lower Sprocket Set Screw
S-1391-C	Lower Pad Roller Arm Stud Screw
S-1396-C	Lower Sprocket Stripper Plate Fastening Screw (2)
S-1405-C	Lower Pad Roller Arm Stud
S-1542-C	Pad Roller Stud Retaining Screw (2)
W-114-G	Lower Sprocket Shaft Washer



FRAMING AND SHUTTER ADJUSTING DEVICE

FRAMING AND SHUTTER ADJUSTING DEVICE

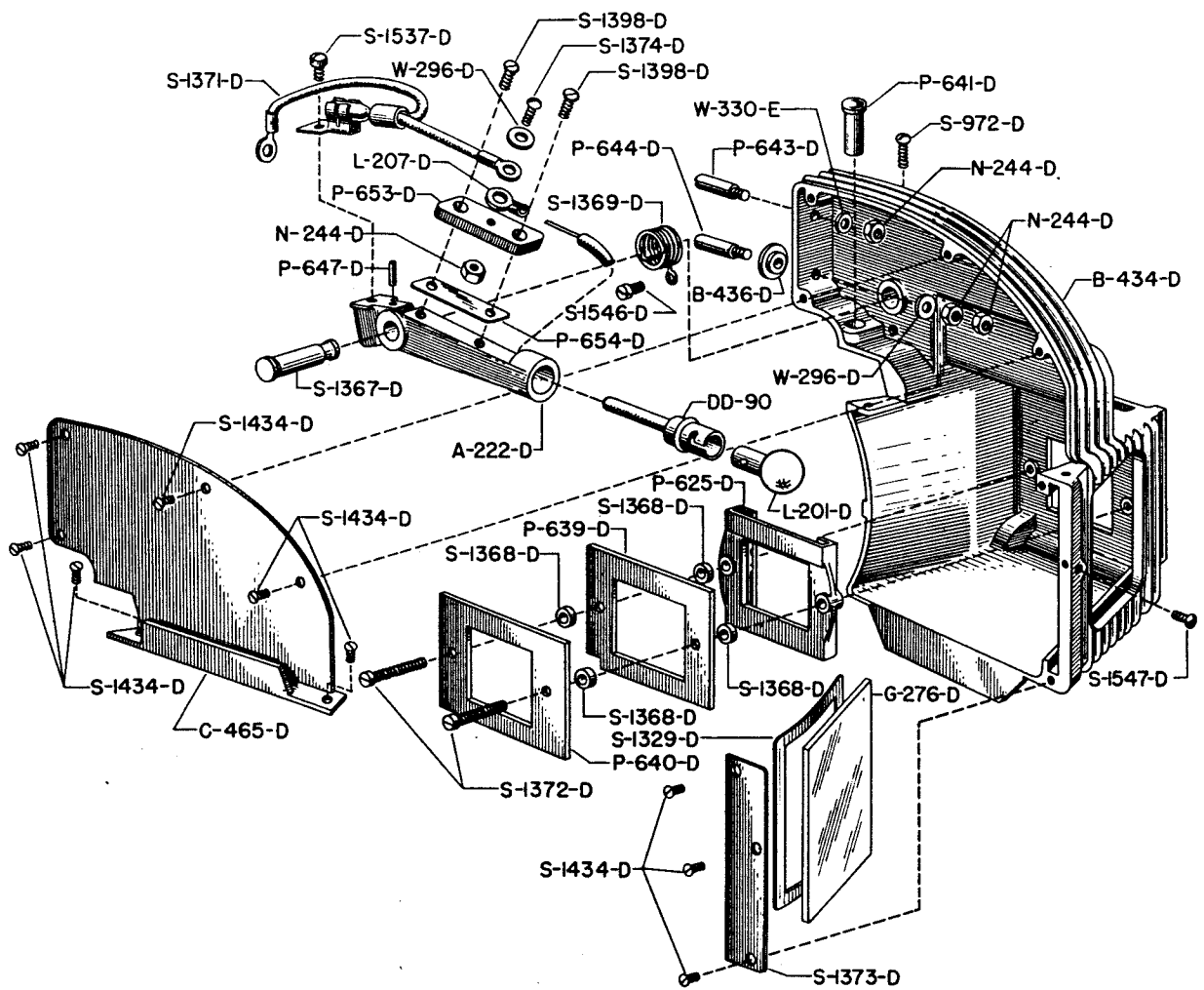
ASSEMBLIES

A-28 FRAMING SLIDE SHAFT AND ROLLER

P-127-G	Framing Slide Shaft Roller Pin
R-128-G	Framing Slide Shaft Roller
S-1307-G	Framing Slide Shaft

PARTS

A-214-A	Framing Slide Arm
DD-49	Shutter Adjusting Screw
G-202-A	Shutter Adjusting Slide Gib
K-158-A	Shutter Adjusting Knob
N-265-A	Framing Slide Arm Pivot Nut
P-618-A	Framing Slide Arm Guide Pin
P-619-A	Framing Slide Arm Pivot
S-125-B	Shutter Adjusting Knob Set Screw
S-165-C	Framing Slide Arm Retaining Screw
S-856-A	Shutter Adjusting Slide
S-899-G	Framing Slide Lever Stud
S-1414-D	Shutter Adjusting Slide Stop Screw
S-1520-A	Framing Slide Lever Stud Screw
W-160-C	Framing Slide Lever Stud Washer
W-284-A	Framing Arm Oiling Wick (2)
W-333-D	Shutter Adjusting Screw Washer (2)



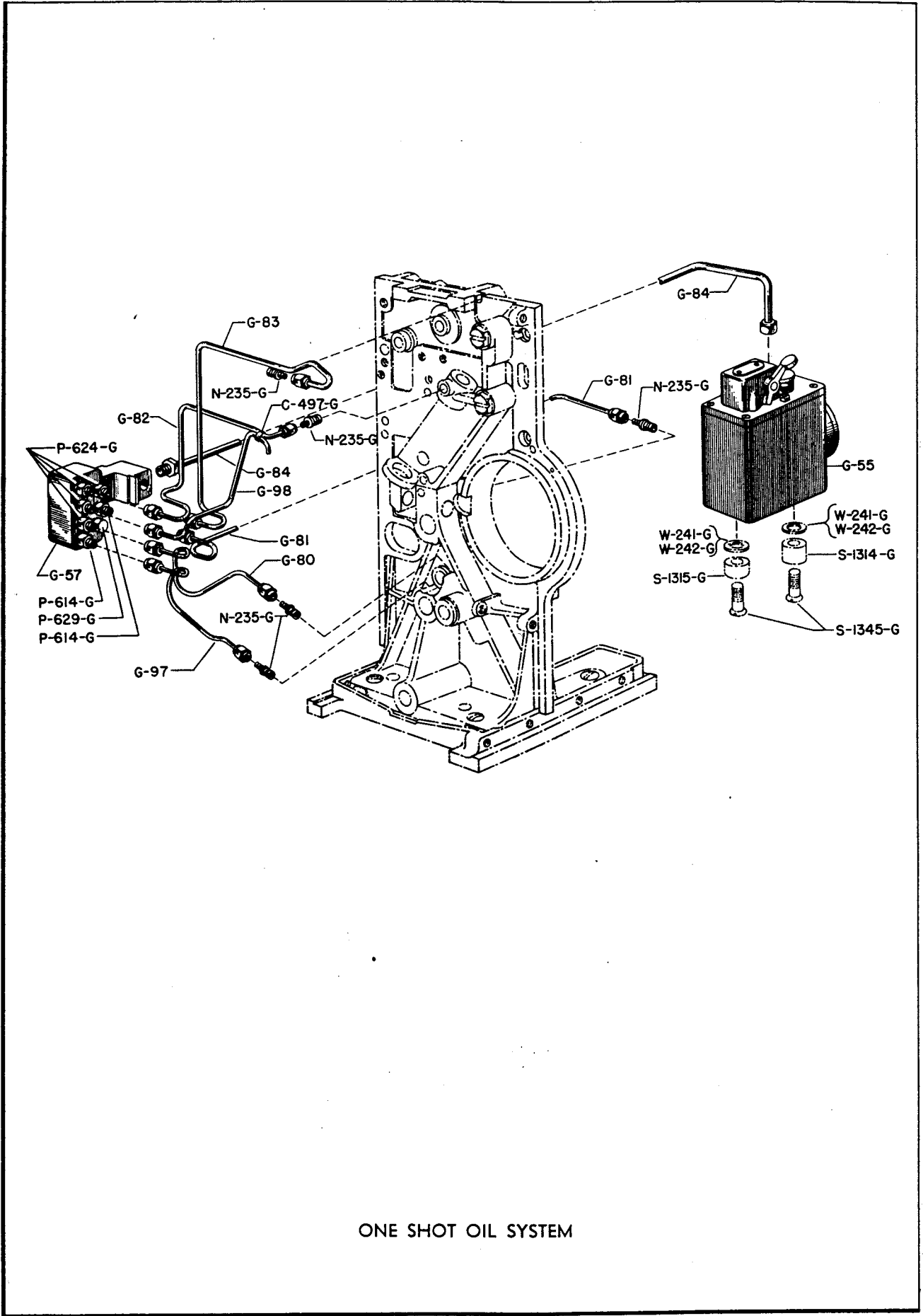
SPOT SIGHT BOX

SPOT SIGHT BOX

DD-45 SPOT SIGHT BOX COMPLETE

PARTS

A-222-D	Threading Light Lever Arm
B-434-D	Spot Sight Box
B-436-D	Lower Contact Pin Insulating Bushing
C-465-D	Spot Sight Box Cover
DD-90	Threading Light Lamp Socket
G-276-C	Spot Sight Box Glass
L-201-D	Threading Light Lamp (Mazda #55)
L-207-D	Threading Light Lamp Socket Lug
N-244-D	Contact Pin Fastening Nut (4)
P-625-D	Heat Plate (Front)
P-639-D	Intermediate Heat Plate
P-640-D	Heat Plate (Rear)
P-641-D	Threading Light Lever Arm Plunger
P-643-D	Upper Contact Pin
P-644-D	Lower Contact Pin
P-647-D	Mercoïd Switch Locating Pin
P-653-D	Lever Arm Insulating Plate
P-654-D	Lever Arm Intermediate Plate
S-972-D	Threading Light Lever Pivot Stud Screw
S-1329-D	Spot Sight Box Glass Supporting Spring
S-1367-D	Threading Light Lever Pivot Stud
S-1368-D	Heat Plate Spacer (4)
S-1369-D	Lever Arm Pivot Stud Spring
S-1371-D	Mercoïd Switch and Clamp
S-1372-D	Heat Plate Fastening Screw (2)
S-1373-D	Spot Sight Box Light Shield
S-1374-D	Mercoïd Switch and Threading Lamp Lug Fastening Screw
S-1398-D	Lever Arm Insulating Plate Screw (2)
S-1434-D	Spot Sight Box Cover and Light Shield Fastening Screw (9)
S-1537-D	Mercoïd Switch Bracket Screw
S-1546-D	Threading Light Lever Arm Coil Spring Screw
S-1547-D	Spot Sight Box Glass Retaining Screw
W-296-D	Switch and Lamp Lug Insulating Washer (2)
W-330-E	Upper Contact Pin Washer

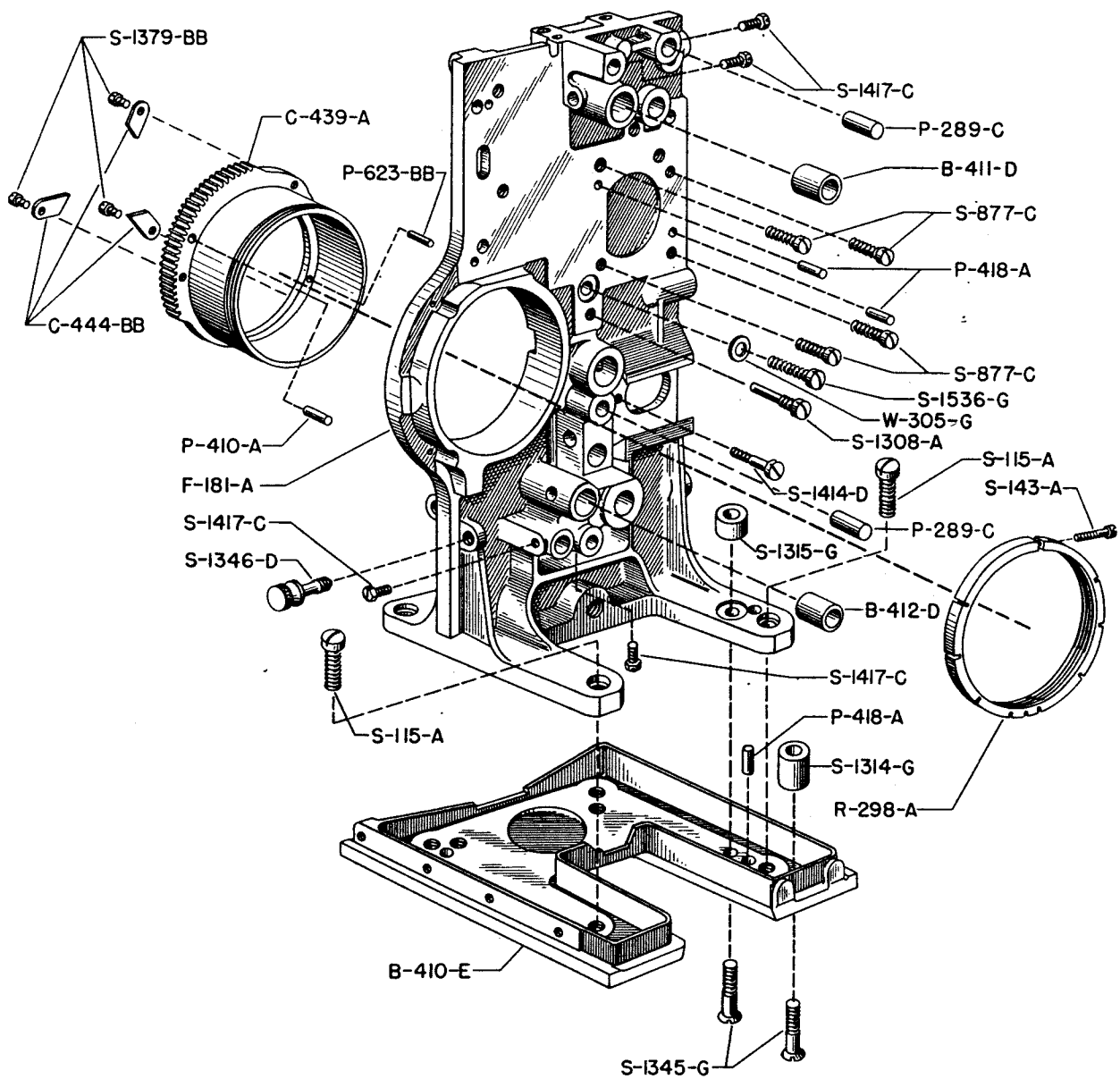


ONE SHOT OIL SYSTEM

ONE SHOT OIL SYSTEM

PARTS

C-497-G	Oil Tube Clip
G-55	One Shot Oil System Reservoir
G-57	One Shot Oil System Tube Junction
G-80	Lower Sprocket Shaft Oil Tube
G-81	Intermediate Stud Oil Tube
G-82	Oblique Shaft Oil Tube
G-83	Upper Sprocket Shaft Oil Tube
G-84	Tube Junction Feed Tube
G-97	Main Drive Gear Stud Oil Tube
G-98	Shutter Shaft Gear Oil Tube
N-235-G	Oil Tube Connection Nipple (5)
P-614-G	Tube Junction Drip Plug (FJD-0) (2)
P-624-G	Tube Junction Drip Plug (FJD-1) (4)
P-629-G	Tube Junction Plug
S-1314-G	One Shot Oil System Reservoir Spacer Washer (Large)
S-1315-G	One Shot Oil System Reservoir Spacer Washer (Small)
S-1345-G	One Shot Oil System Reservoir Fasten- ing Screw (2)
W-241-G	Reservoir Shim (.010") Optional - used
W-242-G	Reservoir Shim (.015") only as required

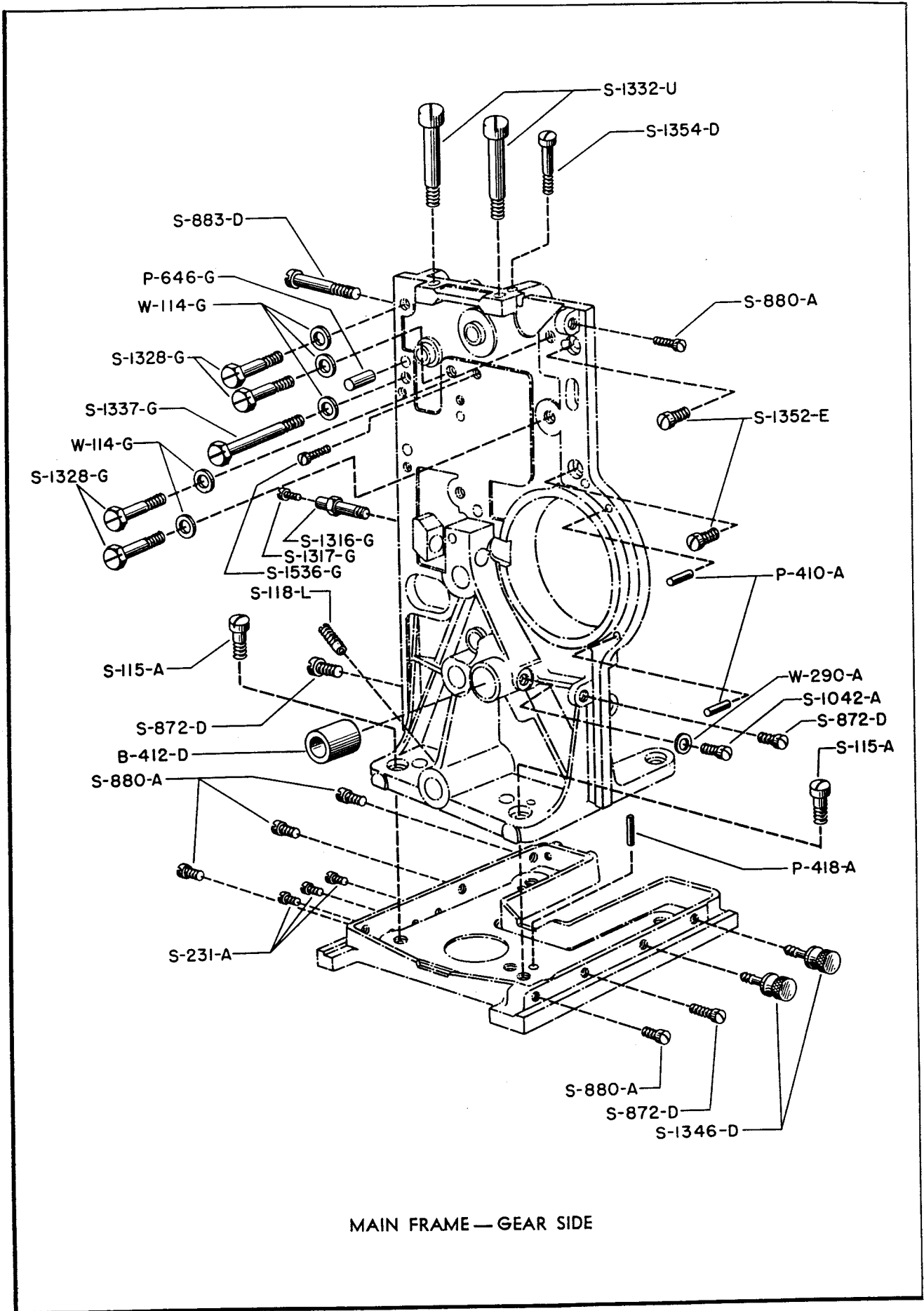


MAIN FRAME — FILM SIDE

MAIN FRAME - FILM SIDE

PARTS

B-410-E	Mechanism Base
B-411-D	Upper Sprocket Shaft Bushing
B-412-D	Lower Sprocket Shaft Bushing
C-439-A	Framing Cam
C-444-BB	Intermittent Movement Case Clamp (3)
F-181-A	Mechanism Main Frame
P-289-C	Pad Roller Arm Stop Pin (2)
P-410-A	Framing Cam Stop Pin
P-418-A	Dowel Pin (for Main Frame and Lens Holder) (3)
P-623-BB	Intermittent Movement Case Locating Pin
R-298-A	Framing Cam Adjusting Ring (Includes S-143-A Screw)
S-115-A	Main Frame Fastening Screw (2)
S-143-A	Framing Cam Adjusting Ring Clamping Screw
S-877-C	Lens Holder Fastening Screw (4)
S-1308-A	Framing Slide Shaft Screw
S-1314-G	One Shot Oil System Reservoir Spacer Washer (Large)
S-1315-G	One Shot Oil System Reservoir Spacer Washer (Small)
S-1345-G	One Shot Oil System Reservoir Fastening Screw (2)
S-1346-D	Film Side Rear Cover Retaining Screw
S-1379-BB	Intermittent Movement Case Clamp Fastening Screw (3)
S-1414-D	Shutter Adjusting Slide Stop Screw
S-1417-C	Retaining Screw (for P-289-C and S-1263-C) (4)
S-1536-G	Oblique Shaft Bracket Locating Screw
W-305-G	Oblique Shaft Bracket Locating Screw Washer



MAIN FRAME - GEAR SIDE

PARTS

B-412-D	Lower Sprocket Shaft Bushing
P-410-A	Framing Cam Stop Pin (2)
P-418-A	Main Frame Dowel Pin
P-646-G	Floating Ball Bearing Bracket Dowel Pin
S-115-A	Main Frame Fastening Screw (2)
S-118-L	Sound Pinion Shaft Retaining Screw
S-231-A	Mechanism Base Oil Drain Screw (3)
S-872-D	Fastening Screw (for C-436-D and C-437-D) (3)
S-880-A	Fastening Screw (for C-436-D and C-437-D) (5)
S-883-D	Fastening Screw (for C-437-D)
S-1042-A	Oil Hole Plug Screw
S-1316-G	One Shot Oil System Tubing Junction Stud
S-1317-G	One Shot Oil System Tubing Junction Stud Screw
S-1328-G	Fastening Screw (for B-413-G and B-415-G) (4)
S-1332-U	Upper Magazine Fastening Screw (2)
S-1337-G	Floating Ball Bearing Bracket Fastening Screw
S-1346-D	Gear Side Rear Cover Retaining Screw (2)
S-1352-E	Film Trap Bracket Fastening Screw (2)
S-1354-D	Top Plate Fastening Screw
S-1536-G	Oblique Shaft Bracket Locating Screw
W-114-G	Washer (for S-1328-G and S-1337-G) (5)
W-290-A	Oil Hole Plug Screw Washer

FRONT AND REAR SHUTTERS AND ASSOCIATED PARTS

ASSEMBLIES

D-95 SHUTTER SPIDER ASSEMBLY (INCLUDED IN DD-31 AND DD-65) (2)

S-1026-D Shutter Spider Clamp Screw (2)

DD-31 REAR SHUTTER BLADE AND SPIDER ASSEMBLY

B-426-D Rear Shutter Adjusting Blade

D-95 Shutter Spider Assembly

DD-34 Rear Shutter Main Blade and Fin

N-267-D Adjusting Blade Fastening Screw Nut (2)

S-192-D Shutter Spider Fastening Screw (5)

S-1549-D Adjusting Blade Fastening Screw (2)

DD-65 FRONT SHUTTER BLADE AND SPIDER ASSEMBLY

B-437-D Front Shutter Adjusting Blade

B-438-D Front Shutter Main Blade

D-95 Shutter Spider Assembly

N-267-D Adjusting Blade Fastening Screw Nut (2)

S-192-D Shutter Spider Fastening Screw (5)

S-1549-D Adjusting Blade Fastening Screw (2)

E-74 AIR DEFLECTOR AND APERTURE COOLING UNIT

C-479-E Fire Shield Hood Glass Retaining Clip (3)

G-292-E Fire Shield Hood Glass

H-246-E Fire Shield Hood Glass Holder

P-663-E Fire Shield Hood Plate

R-303-E Fire Shield Hood Glass Holder Retainer

S-132-E Fire Shield Hood Glass Retaining Clip
Fastening Screw (3)

S-922-U Fire Shield Hood Glass Holder Retainer
Screw (3)

S-1430-E Slide Pressure Spring (2)

S-1541-E Slide Pressure Spring Screw (4)

S-1550-E Fire Shield Hood Plate Screw (4)

PARTS

B-440-D Front Shutter Guard Bracket (6)

C-463-D Framing Shaft Collar (2)

DD-86 Front Shutter Guard - Front Section

G-275-D Rear Shutter Guard - Film Side Section

G-284-D Rear Shutter Guard - Gear Side Section

G-320-D Front Shutter Guard - Rear Section

G-327-A Framing Gear

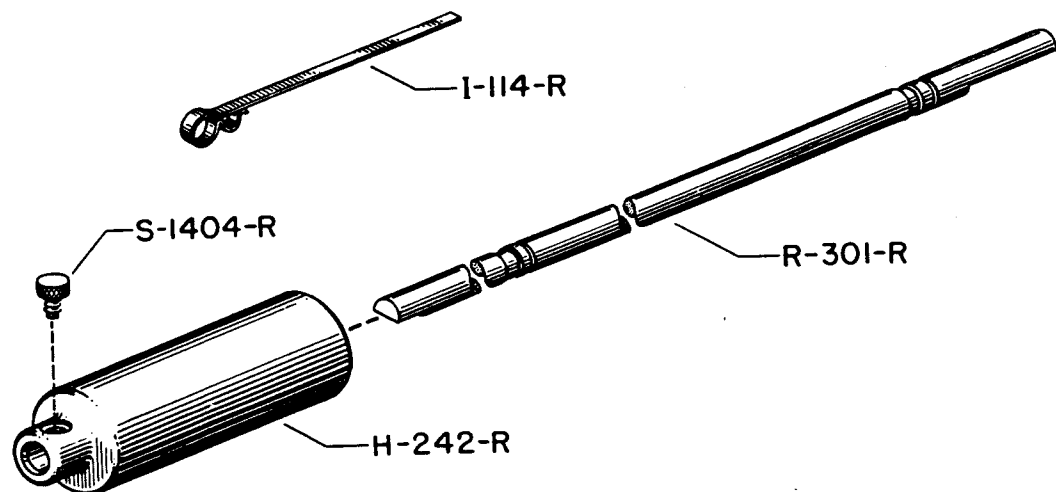
K-137-D Framing Knob (2)

N-245-D Front Shutter Guard Stud Nut (4)

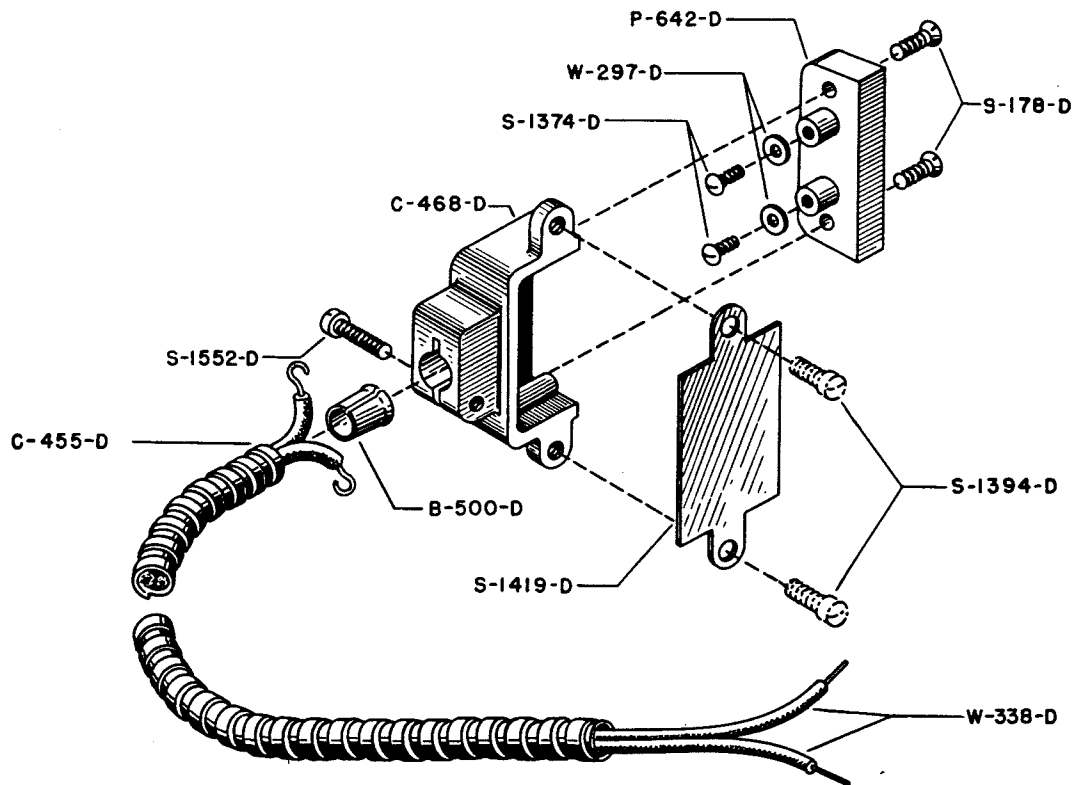
FRONT AND REAR SHUTTERS AND ASSOCIATED PARTS (continued)

P-562-D	Shutter Guard Holding Support Plate (6)
P-660-D	Front Shutter Guard Strap Plate (2)
P-664-D	Spot Sight Box Upper Guide Plate
P-665-D	Spot Sight Box Lower Guide Plate
R-295-D	Rear Shutter Guard Support Rod (2)
R-299-D	Front Shutter Guard Support Rod (3)
S-122-C	Rear Shutter Guard Spider Fastening Screw (4)
S-885-A	Fastening Screw (for B-440-D and R-299-D) (15)
S-897-C	Fastening Screw (for C-463-D and K-137-D) (4)
S-989-G	Front Shutter Guard Retaining Screw (6)
S-1136-D	Spot Sight Box Retaining Spring (3)
S-1137-D	Spot Sight Box Retaining Spring Fastening Screw (6)
S-1304-A	Framing Shaft
S-1347-D	Rear Shutter Guard Supporting Screw
S-1379-BB	Rear Shutter Guard Spider Rod Fastening Screw (2)
S-1399-D	Front Shutter Guard Stud (4)
S-1400-D	Front Shutter Guard Support
S-1402-D	Rear Shutter Guard Clamping Screw (2)
S-1403-D	Rear Shutter Guard Rod Screw (4)
S-1422-D	Front Shutter Guard Strap
S-1433-D	Rear Shutter Guard Spider
S-1441-D	Front Shutter Guard Strap Screw (2)
S-1446-D	Rear Shutter Guard Spider Light Shield
S-1527-A	Framing Gear Fastening Screw
S-1536-G	Shutter Spider Clamp Screw
S-1539-D	Upper and Lower Guide Plate Fastening Screw (4)
W-298-D	Front Shutter Guard Stud Washer (4)

S H U T T E R S E T T I N G T O O L S



H-242-R	Shutter Aligning Rod Holder
I-114-R	Movement Indicator
R-301-R	Shutter Aligning Rod
S-1404-R	Shutter Aligning Rod Retaining Screw

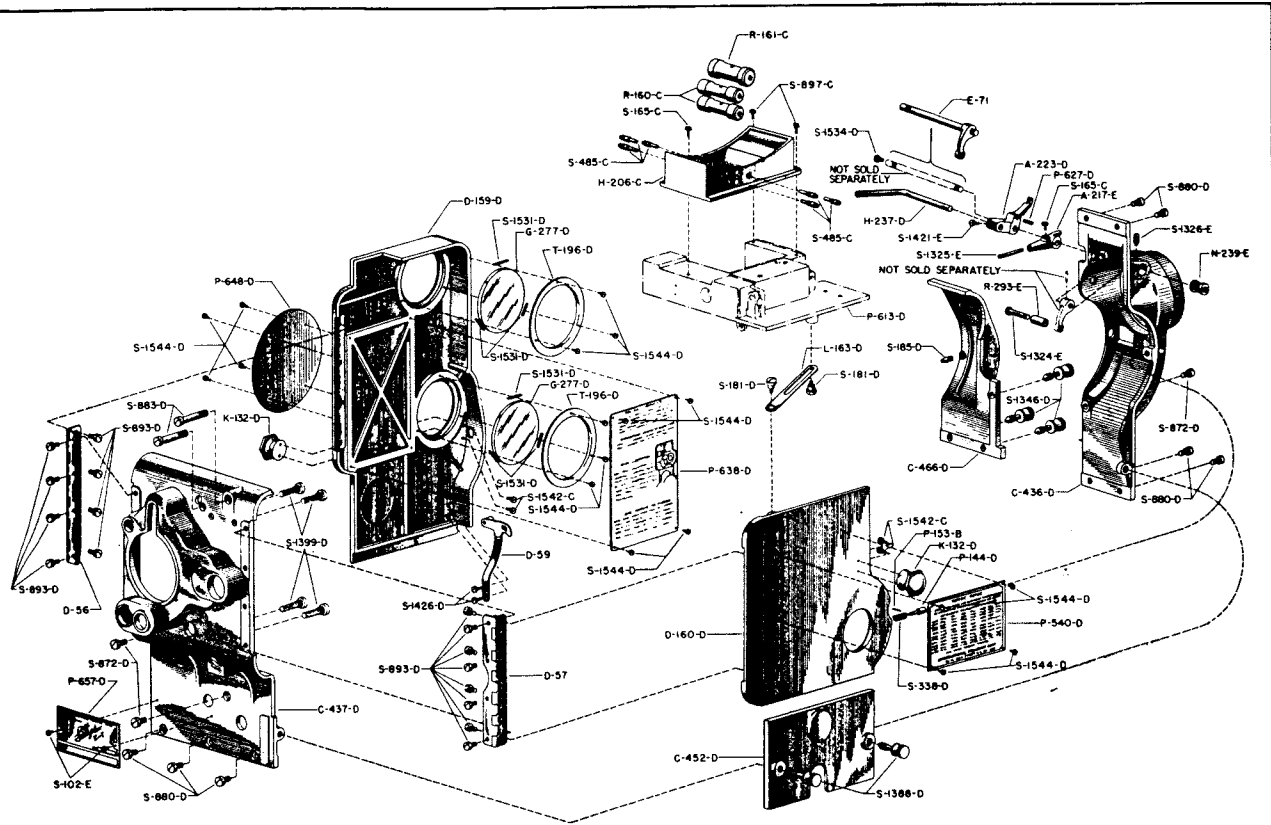


THREADING LAMP RECEPTACLE

DD-55 THREADING LAMP RECEPTACLE AND CABLE COMPLETE

PARTS

B-500-D	Threading Lamp Wire Safety Bushing (2)
C-455-D	Threading Lamp Receptacle Cable (5' - 6")
C-468-D	Threading Lamp Receptacle Cover
P-642-D	Threading Lamp Receptacle Contact Bushing Plate
S-178-D	Receptacle Contact Bushing Plate Screw (2)
S-1374-D	Contact Screw (2)
S-1394-D	Threading Lamp Receptacle Cover Fastening Screw (2)
S-1419-D	Threading Lamp Receptacle Cover Shim
S-1552-D	Cable Clamp Screw
W-297-D	Threading Lamp Contact Stud Bushing Screw Washer (2)
W-338-D	Rockbestos Fixture Wire (6' - 3") (2)



DOORS AND COVERS

ASSEMBLIES

DD-46 THREADING LIGHT LEVER OPERATING ARM AND PIN ASSEMBLY

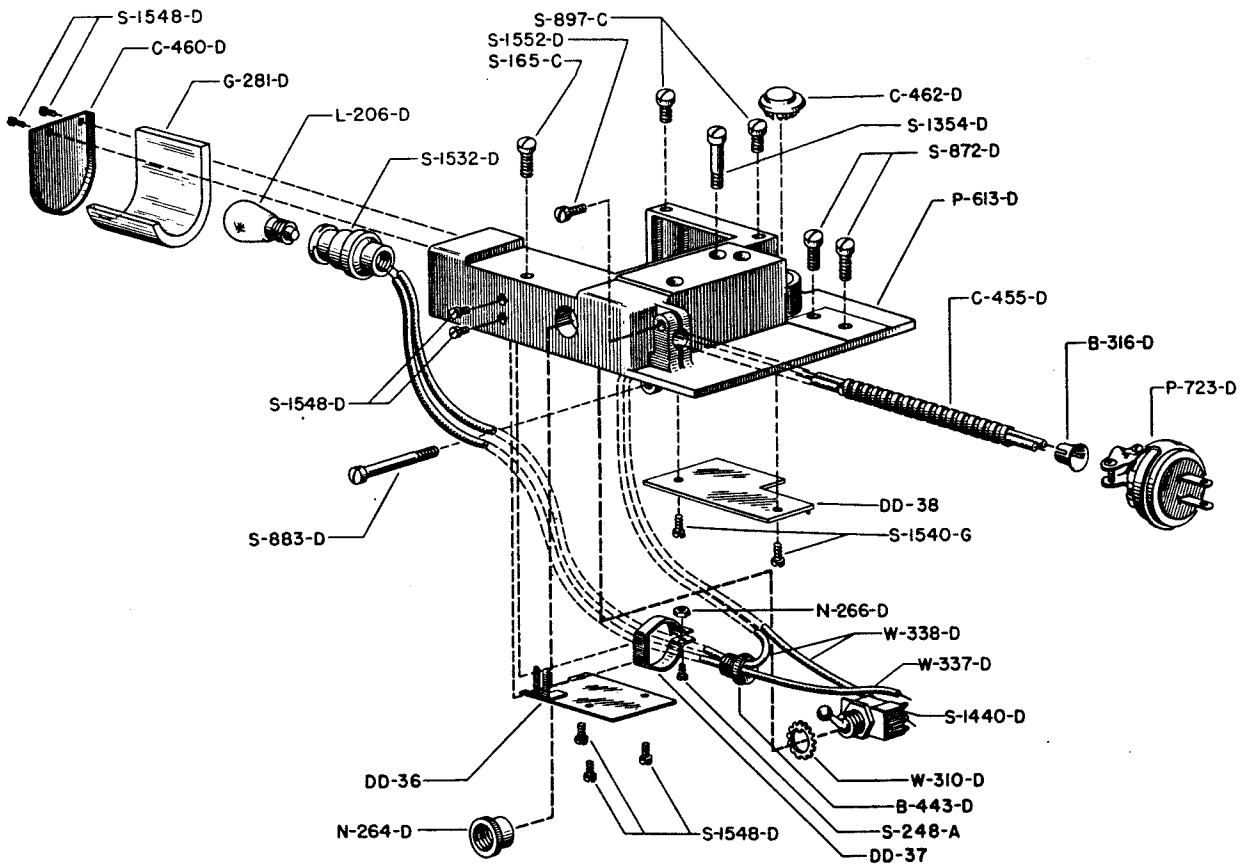
- | | |
|---------|---|
| A-223-D | Threading Light Lever Operating Arm |
| P-627-D | Threading Light Lever Operating Arm Pin |

PARTS

- | | |
|---------|---|
| A-217-E | Fire Shutter Engaging Stud Arm |
| C-436-D | Gear Side Rear Cover |
| C-437-D | Front Cover |
| C-452-D | Gear Side Lower Cover |
| C-466-D | Film Side Rear Cover |
| D-56 | Film Side Door Hinge |
| D-57 | Gear Side Upper Door Hinge |
| D-59 | Film Side Door Lock Spring Button |
| D-159-D | Film Side Door |
| D-160-D | Gear Side Upper Door |
| E-71 | Fire Shutter Operating Rod and Arm |
| G-277-D | Film Side Door Loop Sight Glass (2) |
| H-206-C | Upper Magazine Roller Holder |
| H-237-D | Threading Light and Fire Shutter Handle |

DOORS AND COVERS (continued)

K-132-D	Door Knob (2)
L-163-D	Gear Side Upper Door Stop Link
N-239-E	Fire Shutter Rod Adjusting Nut
P-144-D	Gear Side Upper Door Stop Link
P-153-B	Taper Pin (for P-144-D)
P-540-D	Patent Notice Plate
P-638-D	Instruction Plate
P-648-D	E-7 Name Plate (Film Side Door)
P-657-D	E-7 Name Plate (Front Plate)
R-160-C	Upper Magazine Roller (Small) (2)
R-161-C	Upper Magazine Roller (Large)
R-293-E	Fire Shutter Actuating Roller
S-165-C	Fastening Screw (for A-217-E and H-206-C) (2)
S-181-D	Door Stop Link Screw (2)
S-185-D	Film Side Door Lock Stop Screw
S-338-D	Gear Side Upper Door Plunger Spring
S-485-C	Upper Magazine Roller Pivot Screw (6)
S-872-D	Fastening Screw (for C-436-D and C-437-D) (4)
S-880-D	Fastening Screw (for C-436-D and C-437-D) (6)
S-883-D	Front Cover Fastening Screw (2)
S-893-D	Door Hinge Fastening Screw (16)
S-897-C	Upper Magazine Roller Holder Fastening Screw (Rear) (2)
S-1324-E	Fire Shutter Roller Screw
S-1325-E	Fire Shutter Engaging Stud
S-1326-E	Fire Shutter Adjustment Set Screw
S-1346-D	Film Side Rear Cover Retaining Screw (3)
S-1388-D	Gear Side Lower Cover Retaining Screw (2)
S-1399-D	Front Shutter Guard Stud Screw (4)
S-1421-E	Threading Light and Fire Shutter Handle Fastening Screw
S-1426-D	Door Lock Fastening Screw (2)
S-1531-D	Loop Sight Glass Retaining Spring (6)
S-1534-D	Fire Shutter Opening Rod Fastening Screw
S-1542-C	Door Knob Fastening Screw (4)
S-1544-D	Fastening Screw (for all Name Plates and Loop Sight Glass Trims) (20)
T-196-D	Loop Sight Glass Trim (2)

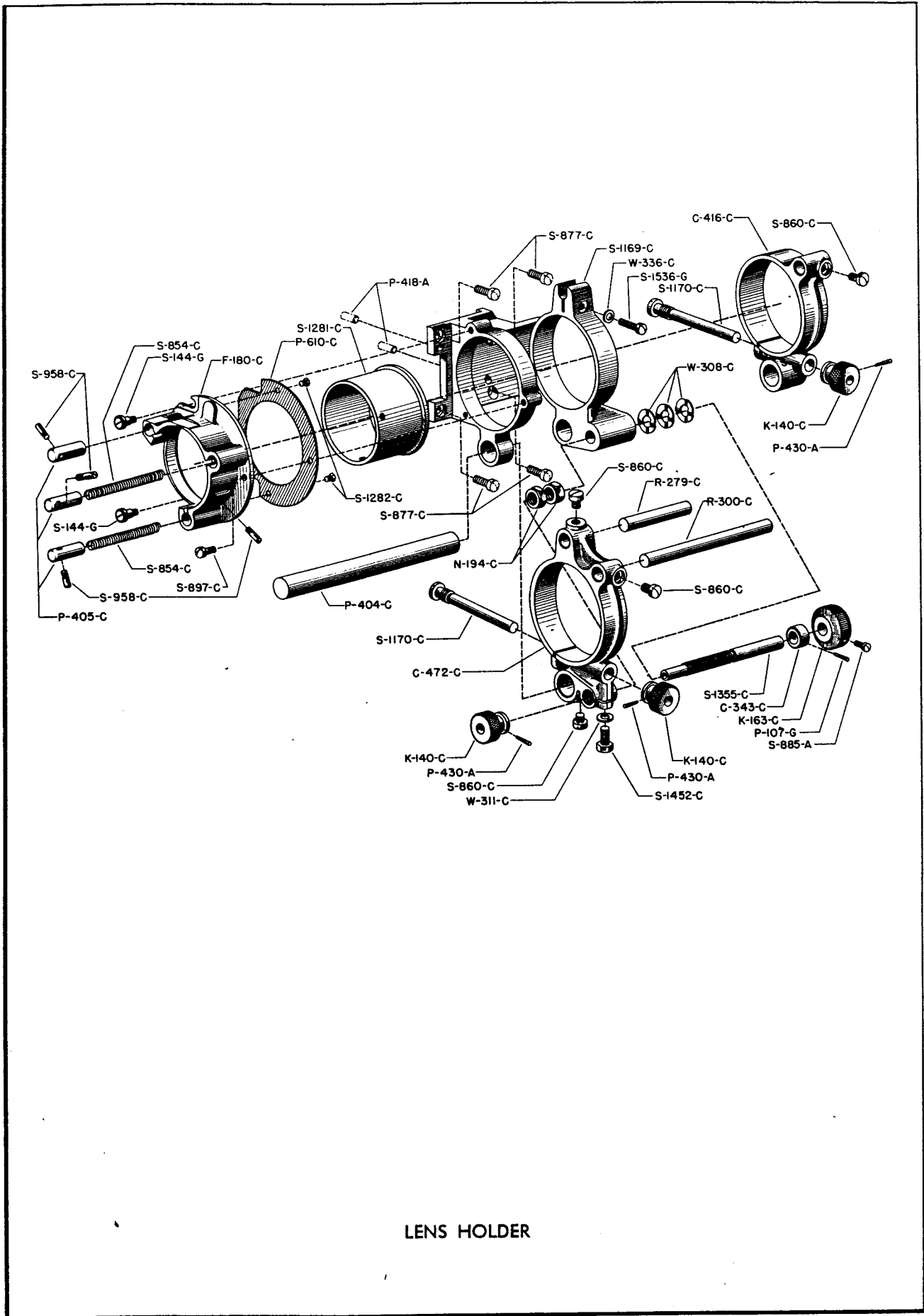


TOP PLATE AND ASSOCIATED PARTS

TOP PLATE AND ASSOCIATED PARTS

PARTS

B-316-D	BX Cable Bushing
B-443-D	Pilot Lamp Socket Bushing
C-455-D	Pilot Lamp BX Cable (5' - 6")
C-460-D	Pilot Lamp Cover
C-462-D	Top Plate Oblique Shaft Cap
DD-36	Pilot Lamp Socket Shield
DD-37	Pilot Lamp Switch Clamp
DD-38	Film Loop Cover Plate
G-281-D	Pilot Lamp Glass
L-206-D	Pilot Lamp (Mazda 6S6, 120V., Clear)
N-264-D	Pilot Lamp Switch Nut
N-266-D	Clamp Screw Nut
P-613-D	Top Plate
P-723-D	Two-prong Male Plug
S-165-C	Upper Magazine Roller Holder Fastening Screw (Front)
S-248-A	Pilot Lamp Socket Clamp Screw
S-872-D	Changeover Bracket Fastening Screw (2)
S-883-D	Front Plate Fastening Screw
S-897-C	Upper Magazine Roller Holder Fastening Screw (Rear) (2)
S-1354-D	Top Plate Fastening Screw
S-1440-D	Pilot Lamp Switch
S-1532-D	Pilot Lamp Socket
S-1540-G	Film Loop Cover Plate Fastening Screw (2)
S-1548-D	Fastening Screw (for C-460-D, DD-36 and DD-37) (7)
S-1552-D	BX Cable Clamp Screw
W-310-D	Pilot Lamp Switch Lockwasher
W-337-D	Pilot Lamp Fixture Wire (5")
W-338-D	Pilot Lamp Fixture Wire (6' - 3") (2)



LENS HOLDER

LENS HOLDER

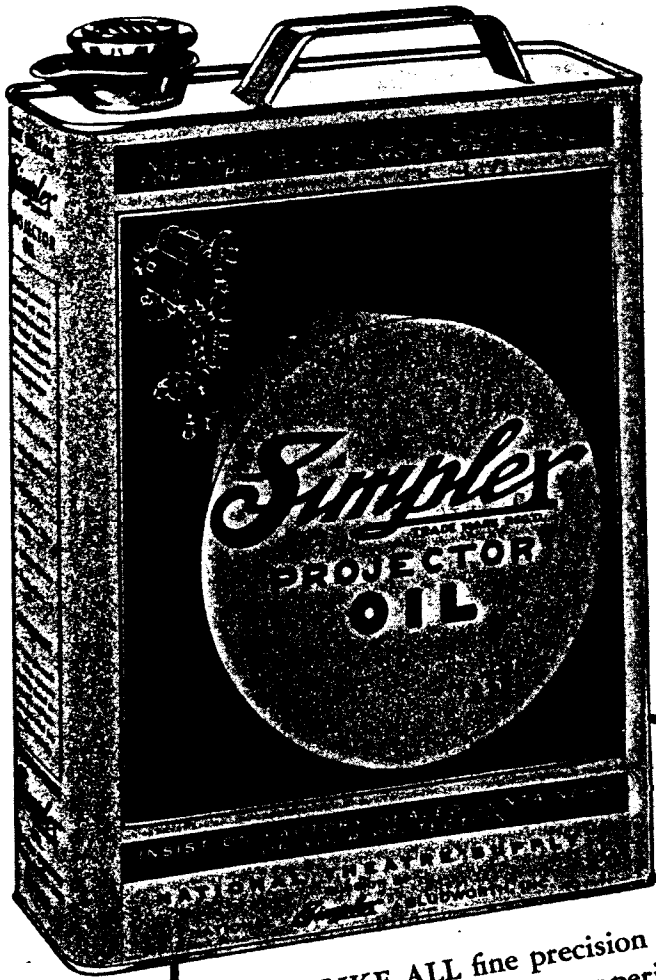
C-51 LENS HOLDER COMPLETE

ASSEMBLIES

- C-45 LENS CLAMP SCREW AND KNOB ASSEMBLY (2)
K-140-C P-430-A S-1170-C
- C-52 FOCUSING SHAFT, COLLAR AND KNOB ASSEMBLY
C-343-C P-107-G S-1355-C
K-140-C P-430-A

PARTS

- C-343-C Lens Carrier Stop Collar
C-416-C Front Lens Carrier
C-472-C Rear Lens Carrier
F-180-C Lens Slide Flange
K-140-C Lens Clamp Screw Knob (3)
K-163-C Lens Carrier Adjusting Knob
N-194-C Adjustable Flange Lock Nut (2)
P-107-G Lens Carrier Stop Collar Taper Pin
P-404-C Lens Carrier Pivot
P-405-C Lens Slide Guide Pin (3)
P-418-A Lens Carrier Support Dowel Pin (2)
P-430-A Lens Clamp Screw Knob Taper Pin (3)
P-610-C Lens Slide Flange Plate
R-279-C Lens Carrier Upper Guide Rod
R-300-C Lens Carrier Tie Rod
S-144-G Lens Slide Fastening Screw (Inside) (2)
S-854-C Lens Slide Spring (2)
S-860-C Lens Carrier Set Screw (5)
S-877-C Lens Carrier Support Fastening Screw (4)
S-885-A Lens Carrier Adjusting Knob Fastening Screw
S-897-C Lens Slide Fastening Screw (Outside)
S-958-C Lens Slide Guide Pin Screw (4)
S-1169-C Lens Carrier Support
S-1170-C Lens Clamp Screw (2)
S-1281-C Lens Slide
S-1282-C Lens Plate Fastening Screw (2)
S-1355-C Focusing Shaft
S-1452-C Lens Carrier Support Friction Screw
S-1536-G Lens Carrier Support Clamp Screw
W-308-C Focusing Shaft Spring Washer (3)
W-311-C Friction Screw Lock Washer
W-336-G Washer (Under S-1536-G Screw)



LIKE ALL fine precision machines, SIMPLEX projectors require proper periodic lubrication to continue functioning at peak efficiency.

To assure that this lubrication is exactly suited to the job it has to do, SIMPLEX engineers have had SIMPLEX OIL and SIMPLEX REAR SHUTTER GREASE especially compounded for use in SIMPLEX mechanisms.

For your protection, ask for genuine SIMPLEX OIL and SIMPLEX REAR SHUTTER GREASE—the perfect SIMPLEX lubricants, in the yellow and black containers!

