

Film-Tech

The information contained in this Adobe Acrobat pdf file is provided at your own risk and good judgment.

These manuals are designed to facilitate the exchange of information related to cinema projection and film handling, with no warranties nor obligations from the authors, for qualified field service engineers.

If you are not a qualified technician, please make no adjustments to anything you may read about in these Adobe manual downloads.

www.film-tech.com

Simplex

PROJECTORS

COMPLETE

PARTS

PRICE LIST

NOVEMBER, 1912

SIMPLEX DIVISION

INTERNATIONAL PROJECTOR CORPORATION

100 GOLD STREET

NEW YORK, N.Y.

PRICE LIST of PRINCIPAL SIMPLEX PARTS

INDEX TO ASSEMBLIES

- A Centre Frame Assembly
- B Intermittent Case Assembly—Eccentric
- BB Intermittent Case Assembly—Double Bearing
- C Mechanism Assembly
- D Outside Mechanism Assembly
- E Film Trap Assembly
- F Type "B" Arc Lamp Assembly (See Form 553)
- G Inside Mechanism Assembly
- I Incandescent Lamphouse Assembly
- J Arc Control Assembly
- L Pedestal Assembly
- M & P Rewind Assembly
- N Type "B" Arc Lamp and Lamphouse Assembly (See Form 553)
- O Type "B" Lamphouse Less Arc Lamp Assembly (See Form 553)
- Q Type "S" Arm Lamp and Lamphouse Assembly (See Form 553)
- R Simplex Accessories
- S Motor Equipment
- T Curtain Dissolver Assembly
- U Upper Magazine Assembly
- V Film Footage Register Assembly
- W Lower Magazine Assembly
- X Variable Speed Control Assembly

NOTE

One letter of the above list appears after every individual part number in this catalog and indicates the assembly on which the part is used. The first letter is descriptive as for instance B-223-L is the Pedestal Base. The B standing for Base, 223 the part number. The L shows that it is a part of the L. or Pedestal Assembly in accordance with the above.

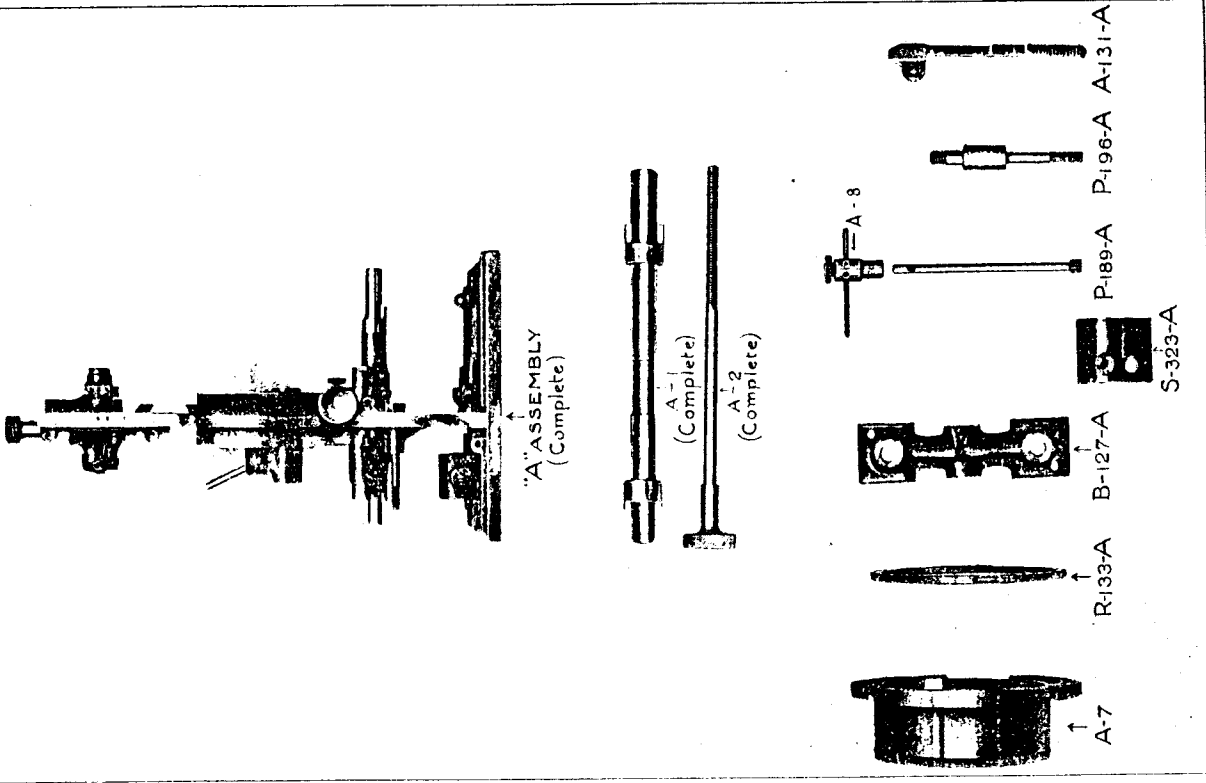
PARTS PRICE LIST

ARRANGED ACCORDING TO ASSEMBLIES

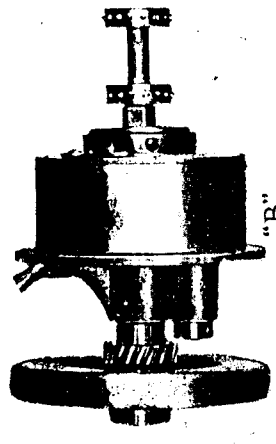
Part No.	Description	Price
"A" CENTRE FRAME ASSEMBLY		
Complete "A" Sub-Assemblies		
A-1	Main Driving Gear Clutch	3.50
C-126-A	Handle Shaft and Collar	.70
C-189-A	Handle Shaft Driving Collar	.75
P-115-A	Handle Shaft Driving Collar Pin (2), each	.10
S-287-A	Handle Shaft	2.75
A-2	Shutter Adjusting Screw Assembly	1.00
K-120-A	Shutter Adjusting Screw Knob	1.00
S-125-B	Shutter Adjusting Set Screw	.05
S-252-A	Shutter Adjusting Screw	.30
A-4	Projecting Lens Holder and Slide	5.40
H-149-A	Projecting Lens Holder (includes P-124-A)	3.00
P-124-A	Focusing Gib Pin	.05
R-150-A	Projecting Lens Holder Slide Guide Rod (2), each	.20
S-145-G	Projecting Lens Holder Jacket Screw	.05
S-161-E	Projecting Lens Holder Slide Stop Screw (2), each	.10
S-322-A	Projecting Lens Holder Slide	.70
S-342-A	Projecting Lens Holder Slide Guide Rod Spring (2), each	.05
S-494-A	Screw	.15
W-118-A	Washer	.05
A-5	Handle Shaft Oil Tube and Wire Assembly	.35
T-108-A	Handle Shaft Oil Tube	*
W-134-A	Handle Shaft Oil Tube Wire	*
A-6	Lower Sprocket Shaft Oil Tube and Wire Assembly	.35
T-113-A	Lower Sprocket Shaft Oil Tube	*
W-134-A	Lower Sprocket Shaft Oil Tube Wire	*
A-7	Framing Cam, Arm and Pin Assembly	4.80
A-117-A	Arm	*
C-100-A	Cam	*
P-125-A	Pin	*
A-8	Focusing Pinion Knob	1.00
K-131-A	Knob	.65
R-178-A	Rod	.10
S-141-A	Screw	.05
S-756-A	Screw	.25
A-9	Projecting Lens Holder and Slide (Mass. Req.)	7.50
H-149-A	Holder	3.00
P-124-A	Pin	.05
R-150-A	Rod	.20
S-145-G	Screw	.05
S-342-A	Spring	.05
S-494-A	Screw	.15
S-772-A	Slide	2.00
S-783-A	Screw	.05
W-118-A	Washer	.05

*These parts are not sold separately.

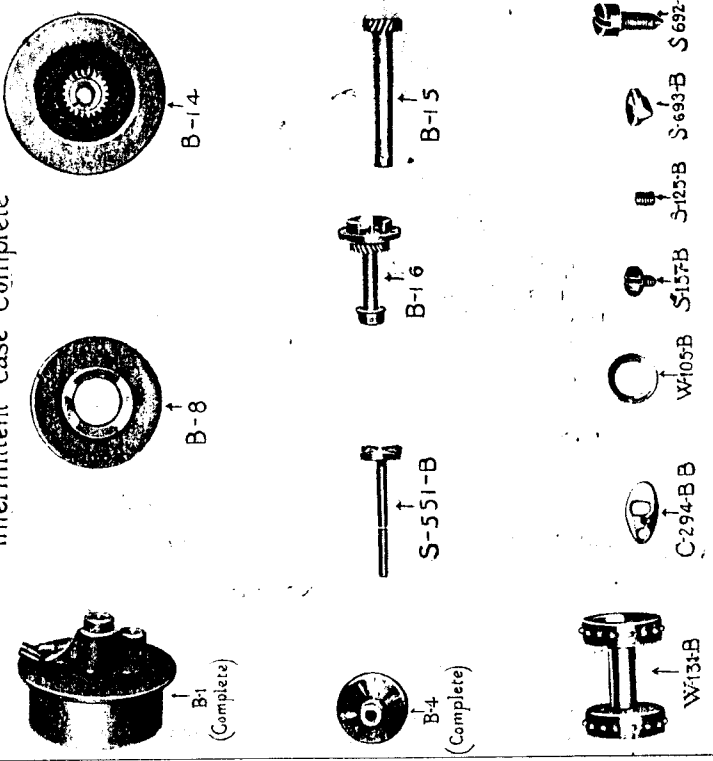
"A" CENTRE FRAME ASSEMBLY



"B"
INTERMITTENT CASE ASSEMBLY



Intermittent Case Complete



"A" PARTS

Part No.	Description	Price
A-131-A	Focusing Rack Arm	.70
B-127-A	Vertical Shaft Bracket	1.20
B-198-A	Centre Frame Base	5.50
F-100-A	Centre Frame	75.00
G-121-A	Focusing Slide Gib	.25
L-130-A	Slide Stop Screw Lock	.10
N-118-A	Picture Framing Handle Pivot Nut	.05
N-123-A	Adjusting Screw Lock Nut	.40
P-106-A	Base Dowel Pin	.05
P-167-A	Shutter Adjusting Slide Stop Pin	.05
P-188-A	Vertical Shaft Bracket Pin	.05
P-189-A	Focusing Pinion	1.20
P-196-A	Picture Framing Handle Pivot	.35
R-133-A	Framing Cam Adjusting Ring	2.40
S-115-A	Centre Frame Screw	.05
S-118-L	Motor Drive Pinion Set Screw	.05
S-143-A	Framing Cam Adjusting Ring Screw	.10
S-231-A	Centre Frame Base Oil Retaining Screw	.05
S-248-A	Roller Holder Screw	.05
S-253-A	Shutter Adjusting Slide Lock Screw	.10
S-278-A	Pad Roller Arm Tension Spring Fastening Screw	.10
S-283-A	Vertical Shaft Bracket Screw	.10
S-323-A	Shutter Adjusting Slide	1.20
S-340-A	Lower Sprocket Roller Arm Spring, Old Style	.10
S-343-A	Rack Arm Friction Spring	.10
S-353-A	Upper Sprocket Roller Arm Spring, Old Style	.10
S-386-A	Oil Tube Support	.10
S-445-G	Top Sprocket Shaft	1.25
S-569-A	Lower Sprocket Roller Arm Spring	.10
S-570-A	Upper Sprocket Roller Arm Spring	.10

"B" SINGLE BEARING INT. MOVEMENT, COMPLETE

Part No.	Description	Price
B-1	Complete "B" Sub-Assemblies	50.00
C-120-B	Intermittent Case	6.30
C-230-B	Oil Tube Clamp	.10
S-106-D	Intermittent Case	*
T-106-D	Oil Tube Clamp Screw	.05
T-107-B	Bushing Oil Tube	.20
T-107-B	Shaft Oil Tube	.20

*These parts are not sold separately.

Complete "B" Sub-Assemblies (Continued)

Part No.	Description	Price
B-4	Eccentric Bushing and Sleeve Assembly	5.50
B-132-B	Eccentric Bushing	*
S-319-B	Eccentric Bushing Sleeve	*
B-8	Intermittent Case Cover and Locks	3.25
C-148-B	Intermittent Case Cover	*
C-294-BB	Intermittent Case Cover Clamp (2), each	.10
S-125-B	Eccentric Bushing Screw (2), each	.05
S-157-B	Intermittent Case Cover Lock Screw (2), each	.10
P-347-B	Intermittent Case Cover Pin (2), each	.05
B-9	Star Wheel, Sprocket and Bushing (includes B-4)	17.00
P-153-B	Intermittent Sprocket Wheel Taper Pin (2), each	.05
S-551-B	Star Wheel and Shaft	6.25
W-131-B	Intermittent Sprocket Wheel	5.25
B-11	Star Wheel and Intermittent Sprocket	11.50
P-153-B	Intermittent Sprocket Taper Pin (2), each	.05
S-551-B	Star Wheel and Shaft	6.25
W-131-B	Intermittent Sprocket Wheel	5.25
B-12	Intermittent Case and Cover	10.50
B-1	Intermittent Case	6.30
B-8	Intermittent Case Cover	3.25
B-14	Fly Wheel and Gear Assembly	4.80
G-148-B	Fly Wheel Gear (includes S-692-B and S-693-B)	1.75
S-92-D	Fly Wheel Set Screw, New Style	.10
S-93-B	Fly Wheel Set Screw Shoe	.10
W-152-B	Fly Wheel	4.20
B-15	Fly Wheel Shaft and Gear Assembly	2.40
G-105-B	Fly Wheel Shaft Gear	1.45
S-454-B	Fly Wheel Shaft	1.00
B-16	Star Wheel Cam Assembly Complete (includes B-19)	4.75
G-118-B	Star Wheel Cam Gear	1.75
P-279-B	Star Wheel Cam Pin	.50
W-122-B	Star Wheel Cam Washer	.30
B-10	Star Wheel Cam and Gear	*
B-19	Cam Shaft Collar and Screw	1.00
C-274-B	Cam Collar	*
S-048-B	Cam Collar Shaft Screw	.05
"B" PARTS		
W-105-B	Fly Wheel Washer	.20
S-280-B	Fly Wheel Shaft	.90
P-123-B	Fly Wheel Taper Pin	.05

*These parts are not sold separately.

Complete "BB" Sub-Assemblies

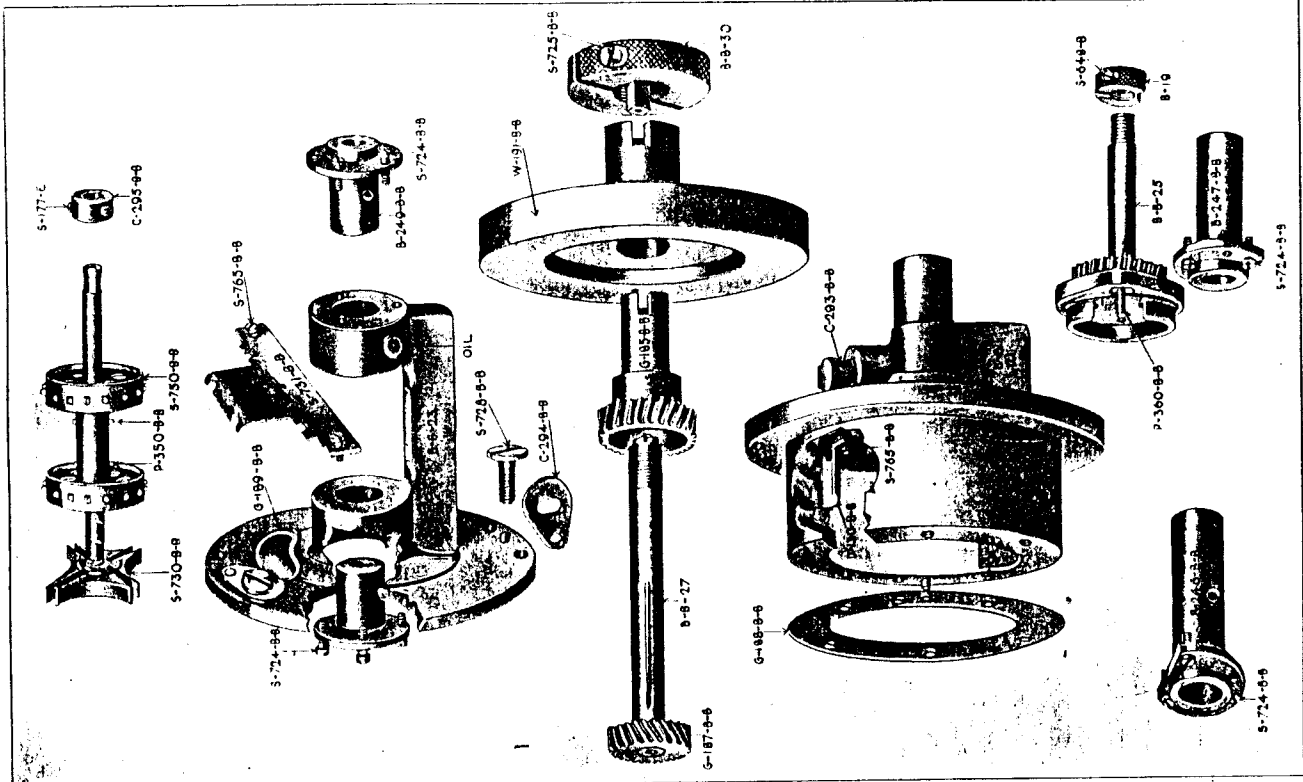
Part No.	Description	Price
BB-21	Intermittent Case Assembly	30.00
C-292-BB	Intermittent Case	*
C-293-BB	Intermittent Oil Cup	.50
P-121-C	Intermittent Adjusting Pivot	.05
BB-22	Intermittent Case Cover With Arm Complete (Includes BB-23)	35.00
B-248-BB	Star Wheel Shaft Inner Bearing	3.25
B-249-BB	Star Wheel Shaft Outer Bearing	3.50
C-295-BB	Star Wheel Shaft Collar	.50
S-177-E	Collar Set Screw (2), each	.05
S-432-E	Film Trap Shoe Screw (2), each	.05
S-724-BB	Bearing Screw (6), each	.10
S-731-BB	Intermittent Film Stripper	1.00
BB-23	Intermittent Case Cover Assembly	25.00
A-154-BB	Case Cover and Bearing Arm	*
G-189-BB	Case Cover Glass, Left	.90
G-195-BB	Case Cover Glass, Right	.90
P-353-BB	Case Retaining Clamp Pivot (2), each	.05
BB-25	Intermittent Cam Assembly Complete (Includes BB-24 and B-19)	6.00
BB-24	Intermittent Cam	*
G-186-BB	Cam Gear	1.75
P-360-BB	Cam Pin	.50
BB-26	Star Wheel Shaft and Sprocket Assembly	11.75
P-350-BB	Intermittent Sprocket Pin (2), each	.15
S-730-BB	Star Wheel and Shaft	6.25
S-750-BB	Intermittent Sprocket	6.25
BB-27	Fly Wheel Shaft and Gear Complete	4.35
G-187-BB	Fly Wheel Shaft Gear	1.75
S-726-BB	Fly Wheel Shaft	2.75
BB-28	Fly Wheel and Gear Complete	14.25
G-185-BB	Fly Wheel Gear	2.25
W-191-BB	Fly Wheel	12.00
BB-29	Fly Wheel Lock Nut and Screw	*
N-171-BB	Fly Wheel Lock Nut	*
S-725-BB	Fly Wheel Lock Nut Screw	.15
BB-30	Fly Wheel Lock Nut Complete (Includes BB-29)	3.50
K-130-BB	Fly Wheel Lock Key	.50
BB-31	Outer Bearing Oil Cup Complete	.35
B-250-BB	Outer Bearing Oil Cup Ball	*
C-296-BB	Outer Bearing Oil Cup	*
S-734-BB	Outer Bearing Oil Cup Spring	*
BB-32	Taper Pin Ejector	3.00
B-254-BB	Intermittent Sprocket Taper Pin Stripper Block	2.70
S-757-BB	Intermittent Sprocket Taper Pin Stripper Screw	.30

*These parts are not sold separately.

"BB" DOUBLE BEARING INTERMITTENT MOVEMENT COMPLETE

150.00

"BB" DOUBLE BEARING MOVEMENT



"BB" PARTS

Part No.	Description	Price
B-246-BB	Fly Wheel Shaft Bearing	4.00
B-247-BB	Cam Shaft Bearing	3.00
C-204-BB	Case Retaining Clamp	.10
D-130-BB	Oil Deflector	1.50
G-188-BB	Oil Gasket	.10
S-724-BB	Bearing Screw	.10
S-728-BB	Case Clamp Screw	.15
S-720-BB	Case Cover Screw	.10
S-765-BB	Oil Deflector Screw	.05

"C" MECHANISM ASSEMBLY

Complete "C" Mechanism Sub-Assemblies

Part No.	Description	Price
C-2 1/2	Upper Sprocket Roller Arm Complete Less Roller (Old Style)	2.00
C-1	Arm:	*
N-115-C	Nut:	.10
S-194-C	Screw:	.15
S-217-C	Screw:	.50
C-3 1/2	Lower Sprocket Roller Arm Complete, Less Roller (Old Style)	2.00
A-115-C	Arm:	*
N-115-C	Nut:	.10
P-149-C	Pin:	*
S-194-C	Screw:	.15
S-217-C	Screw:	.50
S-376-C	Stud:	*
C-4	Film Trap Lever Assembly	.90
L-103-C	Lever:	*
S-102-E	Screw:	.05
S-329-C	Spring:	.05
C-8	Upper Magazine Roller Holder Assembly	3.40
H-130-C	Holder:	3.60
R-160-C	Roller:	.70
R-161-C	Roller:	.90
S-485-C	Screw:	.10
C-9	Governor Lift Lever Link Assembly	.90
L-110-C	Link:	.20
L-111-C	Link:	.80
S-101-C	Screw:	.05
C-12	Pad Roller Stud and Arm Assembly	.60
K-127-C	Knob:	*
S-676-C	Stud:	*
C-13	Upper Magazine Roller Holder (Mass. Req.)	8.00
B-260-C	Block:	.75
B-261-C	Block:	.75
P-374-C	Plate:	.50
P-375-C	Plate:	.50

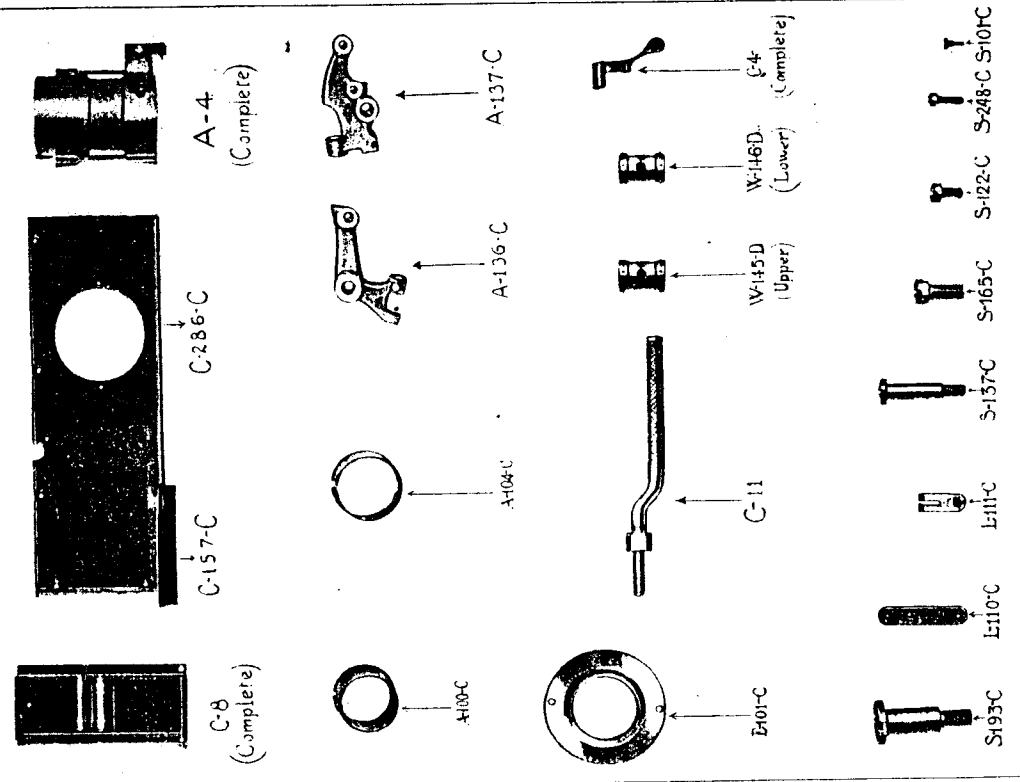
*These parts are not sold separately

Complete "C" Mechanism Sub-Assemblies (Continued)

Part No.	Description	Price
P-373-C	Upper Magazine Roller Housing Back Plate	.80
R-227-C	Magazine Roller (4), each	.75
S-776-C	Magazine Roller Holder Plate Fastening Screw (10), each	.05
S-723-I	Lamp Holder Bracket Extension Screw	.05
S-775-U	Upper Magazine Arm Screw (2), each	.25
P-376-U	Upper Magazine Arm Distance Plate	.60
"C" PARTS		
A-100-C	Adapter	1.00
A-104-C	Projecting Lens Adapter (outside)	.90
A-136-C	Upper Pad Roller Arm	1.50
A-137-C	Lower Pad Roller Arm	2.00
C-137-C	Right Cover	2.10
C-286-C	Right Front Cover	6.00
E-100-C	Small Escutcheon	1.00
E-101-C	Medium Escutcheon	1.00
E-102-C	Large Escutcheon	1.00
N-166-C	Pad Roller Arm Nut	.10
P-102-C	Pad Roller	1.50
P-121-C	Film Trap Locating Pin	.05
P-202-C	Name Plate	.25
P-289-C	Roller Arm Stop Pin	.05
S-101-C	Automatic Shutter Link Hinge Screw	.05
S-102-E	Automatic Fire Shutter Link Ret. Screw (2), each	.05
S-122-C	Cover Screw	.05
S-133-C	Film Trap Screw	.10
S-137-C	Film Trap Door Trip Lever Pivot Screw	.25
S-150-C	Governor Lift Lever Pivot Screw	.05
S-165-C	Right Cover Fastening Screw	.05
S-248-A	Roller Holder Screw	.05
S-278-A	Upper Reel Friction Spring Screw	.10
S-514-C	Automatic Fire Shutter Lifting Stud	.15
S-567-C	Pad Roller Arm Stud	.40
S-572-C	Upper and Lower Sprocket Film Stripper	.25
S-573-C	Upper and Lower Sprocket Film Stripper Stud	.70
S-706-C	Pad Roller Arm Screw	.15
W-145-D	Upper Feed Sprocket	3.00
W-146-D	Lower Takeup Sprocket	3.00
W-160-C	Pad Roller Arm Washer	.10
W-127-D	Lower Takeup Sprocket, Old Style	3.00
W-141-D	Upper Feed Sprocket, Old Style	3.00

*These parts are not sold separately.

"C" MECHANISM ASSEMBLY COMPLETE



"D" OUTSIDE MECHANISM ASSEMBLY

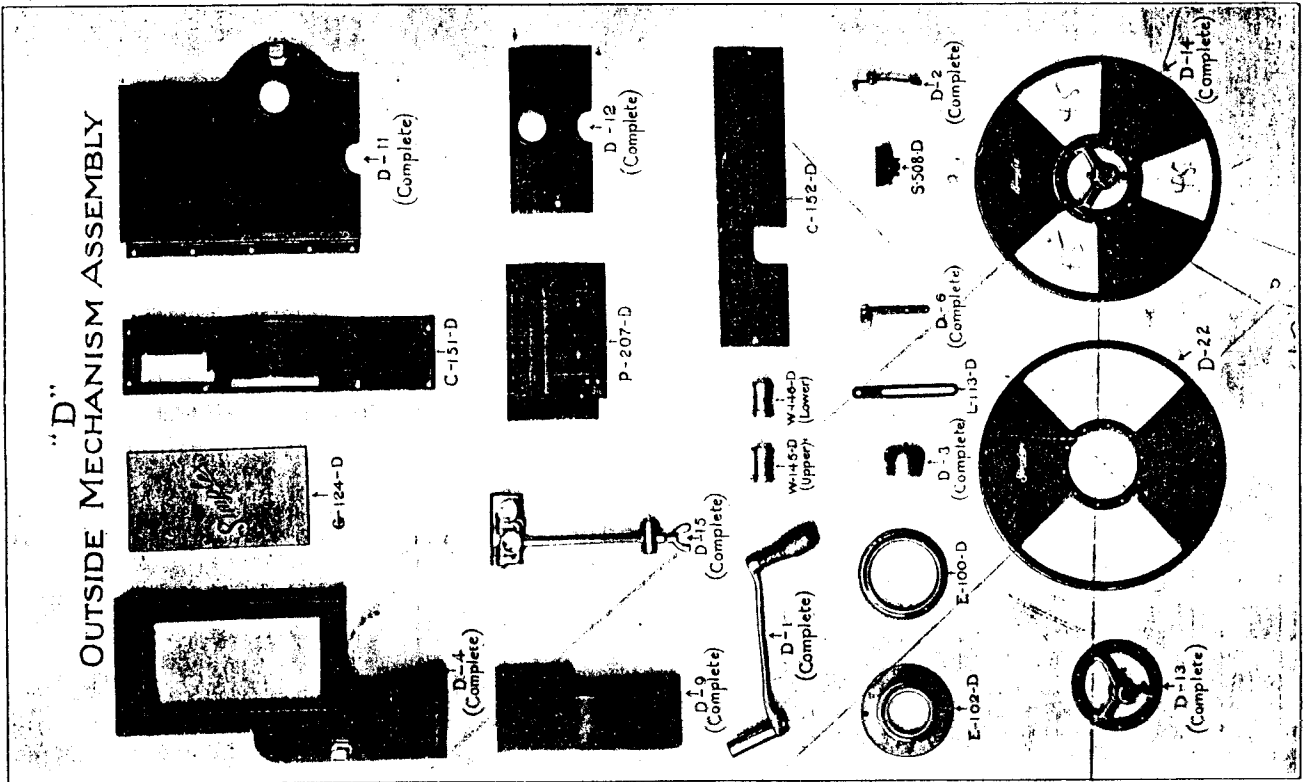
Complete "D" Sub-Assemblies

Part No.	Description	Price
D-1	Driving Arm Assembly	4.50
A-108-D	Driving Arm	*
H-109-D	Driving Arm Handle	*
P-209-D	Driving Arm Retaining Plug	.35
S-124-D	Driving Arm Screw	.25
S-366-D	Driving Arm Stud	*
W-103-D	Driving Arm Washer	*
D-2	Governor Lift Lever Assembly	1.10
L-105-D	Governor Lift Lever	1.00
S-493-D	Governor Lift Lever Screw	.10
D-3	Governor Weight and Links Assembly (Set only)	2.00
L-112-D	Governor Weight Link	.05
S-100-E	Governor Weight Screw	.05
W-126-D	Governor Weight	*
D-4	Right Door Assembly (Includes D-17)	7.50
D-128-D	Right Door	5.10
S-192-D	Right Door Hinge Screw	.05
D-5	Right Door and Knob (Includes D-4)	8.00
K-132-D	Door Knob	.50
S-178-D	Door Knob Screw (2), each	.05
D-6	Right Door Lock Spring and Button Assembly	.40
B-138-D	Right Door Lock Spring	*
S-348-D	Right Door Lock Spring Button	*
D-7	Right Back Cover Hinge Assembly	.75
H-152-D	Right Back Cover Hinge (2)	*
P-262-D	Right Back Cover Hinge Pin	*
S-346-D	Right Back Cover Hinge Spring	*
D-8	Right Back Cover Latch Knob Assembly (Used on D-9 old style only)	.65
K-109-D	Right Back Cover Latch Knob	*
L-100-D	Right Back Cover Latch	*
P-153-B	Right Back Cover Latch Pin	.05
S-347-D	Right Back Cover Latch Spring	.10
D-9	Right Back Cover (Old Style) (Includes D-7 and D-8)	7.20
C-213-D	Right Back Cover	4.80
S-106-D	Right Door Hinge Screw (3), each	.05
S-185-D	Right Back Cover Lock Stop Screw	.10
D-9	Right Back Cover (New Style) (Includes D-7)	7.20
C-285-D	Right Back Cover	4.80
S-106-D	Right Door Hinge Screw (3), each	.05
S-185-D	Right Back Cover Lock Stop Screw	.10
D-10	Upper Left Door Assembly (Includes D-18)	6.50
D-108-D	Upper Left Door	4.50
S-192-D	Upper Left Door Hinge Screw (5), each	.05

*These parts are not sold separately.

2 22 21 32 6 2

"D" OUTSIDE MECHANISM ASSEMBLY



Complete "D" Sub-Assemblies (Continued)

Part No.	Description	Price
D-11	Upper Left Door and Knob Assembly (Includes D-10 and D-18)	7.00
K-106-D	Knob	.45
P-203-D	Plate	.30
S-102-E	Triangular Warning Plate Screw (3), each	.05
S-178-D	Left Door Knob Screw (2), each	.05
D-12	Lower Left Door Assembly (Includes D-19)	3.00
D-105-D	Lower Left Door	2.40
S-192-D	Lower Left Door Hinge Screw (2), each	.05
D-13	Shutter Spider Assembly	3.50
S-566-D	Shutter Spider	*
S-163-C	Shutter Spider Screw (2), each	.05
D-14	Three Wing Shutter and Spider Assembly (Includes D-13)	6.00
D-27	Shutter	3.00
S-106-D	Shutter Screw (5), each	.05
D-15	Stereo Slide and Arm Assembly	6.60
A-122-D	Arm	2.70
K-103-D	Stereo Focusing Knob	.60
P-191-D	Stereo Focusing Pinion	.70
P-240-D	Stereo Arm Pivot Pin	.10
S-123-B	Stereo Arm Set Screw	.05
S-141-A	Stereo Focusing Knob Set Screw	.05
S-155-R	Stereo Slide Arm Wing Screw	.50
S-204-D	Stereo Lens Adjusting Screw	.50
S-324-D	Stereo Slide	1.75
D-16	Top Plate and Stereo Slide Assembly (Includes D-15)	10.80
L-113-D	Link	.25
P-207-D	Plate	4.20
S-106-D	Stereo Slide Stop Screw	.05
S-181-D	Left Door Stop Link Screw	.15
S-189-W	Top Plate Screw (2), each	.10
S-343-A	Stereo Slide Rack Arm Spring	.10
S-125-B	Stereo Screw	.05
D-17	Right Door Hinge Assembly	1.10
H-151-D	Hinge	*
P-264-D	Right Door Hinge (2)	*
D-18	Upper Left Door Hinge	.90
H-153-D	Hinge	*
P-263-D	Upper Left Door Hinge Pin	*
D-19	Lower Left Door Hinge Assembly	.75
H-150-D	Hinge	*
P-266-D	Lower Left Door Hinge (2), each	*
D-22	Lower Left Door Hinge Pin	*
D-23	Two Wing Opaque Shutter Regular	2.10
S-100-D	Two Wing Shutter and Spider Assembled (Includes D-13 and D-22)	6.00
D-27	Shutter Screw (5), each	.05
D-33	Three Wing Opaque Shutter Regular	3.00
D-34	Two Wing Opaque Shutter for No. 2 Lens	4.50
	Three Wing Opaque Shutter for No. 2 Lens	5.00

*These parts are not sold separately.

Complete "D" Sub-Assemblies (Continued)

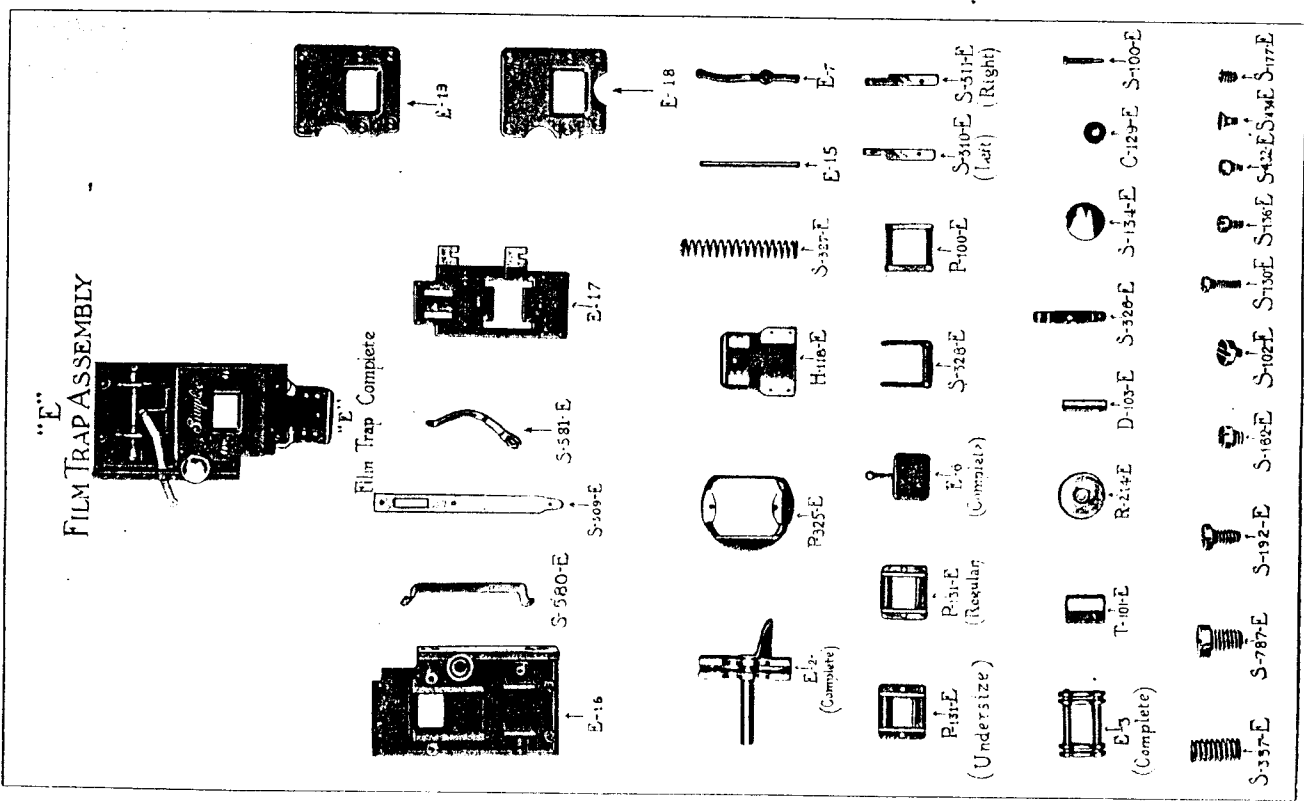
Part No.	Description	Price
D-35	Two Wing Extralite Shutter and Spider Assembly (Regular) (Includes D-13)	15.00
D-32	Shutter	*
S-192-D	Shutter Screw (5), each	.05
D-36	Three Wing Extralite Shutter and Spider Assembly (Regular) (Includes D-13)	15.00
D-30	Shutter	*
S-192-D	Shutter Screw (5), each	.05
D-43	Door Linkage Device	5.00
A-153-D	Right Door and Right Back Cover Arm	.30
L-148-D	Lever Link	1.50
L-149-D	Right Door and Right Back Cover Lever	.75
L-150-D	Cover Connecting Link	.25
P-340-D	Right Door and Right Back Cover Pin (7), each	.05
S-192-D	Lower Magazine Cover Knob Screw (6), each	.05
S-737-D	Linkage Device Headless Set Screw	.10
D-49	Two Wing Opaque Shutter and Spider for No. 2 Lens (Includes D-13 and D-34)	8.00
S-106-D	Shutter Screw (5), each	.05
D-50	Three Wing Opaque Shutter and Spider for No. 2 Lens (Includes D-13 and D-34)	8.30
S-106-D	Shutter Screw (5), each	.05
D-51	Two Wing Extralite Shutter and Spider for No. 2 Lens (Includes D-13)	15.00
D-45	Shutter	*
S-192-D	Shutter Screw (5), each	.05
D-52	Three Wing Extralite Shutter and Spider for No. 2 Lens (Includes D-13)	15.00
D-31	Shutter	*
S-192-D	Shutter Screw (5), each	.05

"D" PARTS

C-118-D	Clamp	.05
C-151-D	Left Back Cover	6.00
C-152-D	Left Front Cover	5.70
G-124-D	Right Door Glass	1.75
K-106-D	Right Door Knob	.45
P-144-D	Left Door Lock Pin	.20
P-153-B	Left Door Lock Spring Taper Pin	.05
P-341-D	Cover Linkage Locking Pin	.05
R-162-D	Right Back Cover Stripper Roller	.30
S-106-D	Right Door Glass Clamp Screw	.05
S-122-C	Cover Screw	.05
S-180-D	Lower Left Door Retain Screw	.20
S-181-D	Left Door Stop Link Screw	.15
S-192-D	Right and Left Door Hinge Screw	.05
S-246-D	Right Door Knob Fastening Screw	.05
S-338-D	Left Door Lock Spring	.05
S-771-D	Right Back Cover Stripper Roller Screw	.10
S-787-D	Left Front Cover Screw	.10
W-145-D	Upper Sprocket	3.60
W-146-D	Lower Sprocket	3.00
W-127-D	Lower Sprocket (Old Style)	3.00
W-141-D	Upper Sprocket (Old Style)	3.00

*These parts are not sold separately.

Part No.	Description	Price
"E" FILM TRAP ASSEMBLY COMPLETE 34.00		
Complete "E" Sub-Assemblies		
E-2	Door Holder Assembly	5.00
H-119-E	Door Holder	*
P-119-E	Door Holder Pin (2), each	.05
S-367-E	Door Holder Stud	.80
W-148-E	Door Holder Washer	.20
E-3	Intermittent Film Guide Assembly	2.10
C-127-E	Collar	.10
G-125-E	Intermittent Film Guide, Inside (2), each	.15
G-126-E	Intermittent Film Guide, Outside (2), each	.30
S-665-E	Intermittent Film Guide Stud (4), each	.10
S-716-E	Intermittent Film Guide Screw (4), each	.10
E-4	Film Trap Door (Old Style)	6.75
E-6	Automatic Fire Shutter and Lift Link Assembly	.70
L-100-E	Link	*
S-316-E	Automatic Fire Shutter Lift Link	*
S-362-E	Automatic Fire Shutter	*
E-7	Automatic Fire Shutter Stud	*
L-101-E	Automatic Fire Shutter Lift Lever Assembly	.35
S-363-E	Automatic Fire Shutter Lift Lever	*
E-8	Automatic Fire Shutter and Lever Assembled (Includes E-9 and E-7)	1.10
S-102-E	Automatic Fire Shutter Lift Link Retain Screw	.05
E-9	Film Trap Gate Complete (Old Style) (Includes E-3 and E-4)	11.00
H-118-E	Holder	.75
P-100-E	Film Trap Door Pad	.75
P-320-E	Film Protector Regular	1.80
S-130-E	Film Guide Holder Screw (8), each	.05
S-132-E	Film Guide Retain Spring Screw	.05
S-192-D	Film Protector Screw (2), each	.05
S-310-E	Film Trap Door Shoe, Left	.35
S-311-E	Film Trap Door Shoe, Right	.35
S-326-E	Film Guide Retaining Spring	.10
S-328-E	Film Trap Door Pad Spring	.15
E-10	Double Tension Film Trap Door Assembly (Includes E-3 and E-17)	11.00
H-118-E	Holder	.75
P-100-E	Film Trap Door Pad	.75
P-325-E	Film Protector	2.50
S-130-E	Film Guide Holder Screw (8), each	.05
S-132-E	Film Guide Retaining Spring Screw	.05
S-326-E	Film Guide Retaining Spring	.10
S-328-E	Film Trap Door Pad Spring	.15
S-580-E	Double Tension Film Trap Door Shoe (2), each	.25
S-581-E	Double Tension Film Trap Door Shoe Spring (2), each	.20
S-698-E	Film Protector Screw (2), each	.10



Complete "E" Sub-Assemblies (Continued)

Part No.	Description	Price
E-13	Film Trap Asbestos Heat Shield (New Style)	5.00
N-132-U	Heat Shield Nut (4), each	.10
S-651-E	Film Trap Back Heat Shield	1.50
S-652-E	Film Trap Front Heat Shield	1.50
S-653-E	Heat Shield Screw (6), each	.10
E-14	Lateral Guide Roller Assembly (Includes E-15)	2.50
C-129-E	Lateral Guide Roller Shaft Collar	.25
R-214-E	Lateral Guide Roller (2), each	.75
S-763-E	Lateral Guide Roller Shaft Collar Screw	.05
S-762-E	Guide Roller Spring	.10
E-15	Lateral Guide Roller Shaft and Washer (Includes 2-P-359-E)	1.10
S-764-E	Lateral Guide Roller Shaft	*
W-108-E	Guide Roller Spring Retain Washer	*
E-16	Film Trap Only	9.00
E-17	Double Tension Film Trap Door Only	7.75
E-18	Asbestos Heat Shield (Old Style)	5.00
	(With cut-out for old style Right Back Drum Cover Latch Knob)	
N-132-U	Heat Shield Nut	.10
S-651-E	Film Trap Back Heat Shield	1.50
S-652-E	Film Trap Front Heat Shield	1.50
S-653-E	Heat Shield Screw (6), each	.10

"E" PARTS

P-131-E	Aperture Plate	.35
P-131-E	Aperture Plate (Undersize)	.35
P-359-E	Guide Roller Pivot	.30
P-377-E	Thumb Plate	1.25
S-100-E	Lever Pivot Screw	.05
S-161-E	Fire Shutter Stop Screw	.10
S-309-E	Film Trap Shoe	1.35
S-327-E	Door Holder Spring	.10
S-432-E	Film Trap Shoe Screw	.05
S-434-E	Aperture Plate Retaining Screw	.05
S-787-D	Thumb Plate Screw	.10
P-101-E	Thimble	.10
D-103-E	Distance Piece	.20
S-313-E	Shoe	.20
S-314-E	Shoe	.20
S-486-E	Shoe	1.60
S-487-E	Shoe	1.60
S-488-E	Shoe	.60
S-489-E	Shoe	.60
S-136-E	Screw for Type "B" Film Trap Shoe	.05
S-177-E	Collar Screw	.05
S-292-E	Guide Roller Shaft (Old Style)	.10

*These parts are not sold separately.

"G" INSIDE MECHANISM ASSEMBLY

Complete "G" Sub-Assemblies

Part No.	Description	Price
G-1	Intermediate Gear and Shaft (Includes G-12)	12.30
C-192-G	Intermediate Shaft Gear Collar	.45
G-134-G	Intermediate Gear No. 1	1.50
G-135-G	Intermediate Bevel Gear	4.25
S-145-G	Intermediate Gear Washer Retain Screw	.05
S-442-G	Intermediate Shaft Retain Collar Set Screw	.05
S-444-G	Intermediate Shaft	1.25
W-140-G	Intermediate Gear Retain Washer	.10
G-2	Lower Sprocket Shaft and Gear	2.10
G-111-G	Lower Sprocket Gear	1.25
S-429-G	Lower Sprocket Shaft	1.50
W-114-G	Lower Sprocket Shaft Washer	.15
G-3	Framing Slide Arm Assembled (Includes G-7)	2.10
P-127-G	Framing Slide Arm Roller Pin	.05
R-128-G	Framing Slide Arm Roller	.25
G-4	Framing Slide Assembly	4.20
B-106-G	Framing Slide Lever Block	.30
P-128-G	Framing Slide Lever Pin	.05
S-321-G	Framing Slide	3.75
G-5	Bevel Gear and Shaft	4.20
C-193-G	Bevel Gear Collar	.35
G-115-G	Bevel Gear	2.50
S-436-G	Set Screw	.05
S-446-G	Bevel Gear Drive Shaft	2.10
G-6	Shutter Gear Bracket Assembly Complete (Includes G-4 and G-5)	14.50
B-197-G	Shutter Gear Bracket	2.50
C-316-G	Cup	.10
G-116-G	Shutter Driving Gear with Broached Hole	2.00
G-147-G	Spiral Gear	1.75
R-120-G	Framing Slide Guide Rod	.10
S-141-A	Framing Slide Set Screw	.05
S-437-G	Bevel Gear Set Screw	.05
S-781-G	Shutter Shaft	2.25
W-105-B	Spiral Driving Gear Shaft Washer	.20
G-7	Framing Arm and Shoe Assembly	*
A-110-G	Framing Arm	*
S-312-G	Framing Slide Arm Shoe	*
G-12	Formica Intermediate Gear and Plate Assembly	5.75
Gear:	Formica Intermediate Gear	*
Plate:	Intermediate Gear Plate	*
Screw:	Intermediate Gear Screw (3), each	.10
G-13	Formica Double Bevel Gear and Flanges	7.50
F-149-G	Formica Double Bevel Gear External Flange	*
F-150-G	Formica Double Bevel Gear Internal Flange	*
G-190-G	Formica Double Bevel Gear	*
P-367-G	Formica Double Bevel Gear Dowel Pin (2)	*
G-14	Chain Takeup Main Driving Gear	10.00
G-119-G	Chain Takeup Main Driving Gear	*
S-122-C	Cover Screw (3), each	.05
S-760-G	21 Tooth Main Driving Gear Sprocket	*
G-15	Formica Double Bevel Gear, Flanges and Vertical Shaft Assembled (Includes G-13)	9.25
P-368-G	Formica Double Bevel Gear Pin	1.15
S-550-G	Vertical Shaft	1.25

*These parts are not sold separately.

Complete "G" Sub-Assemblies (Continued)

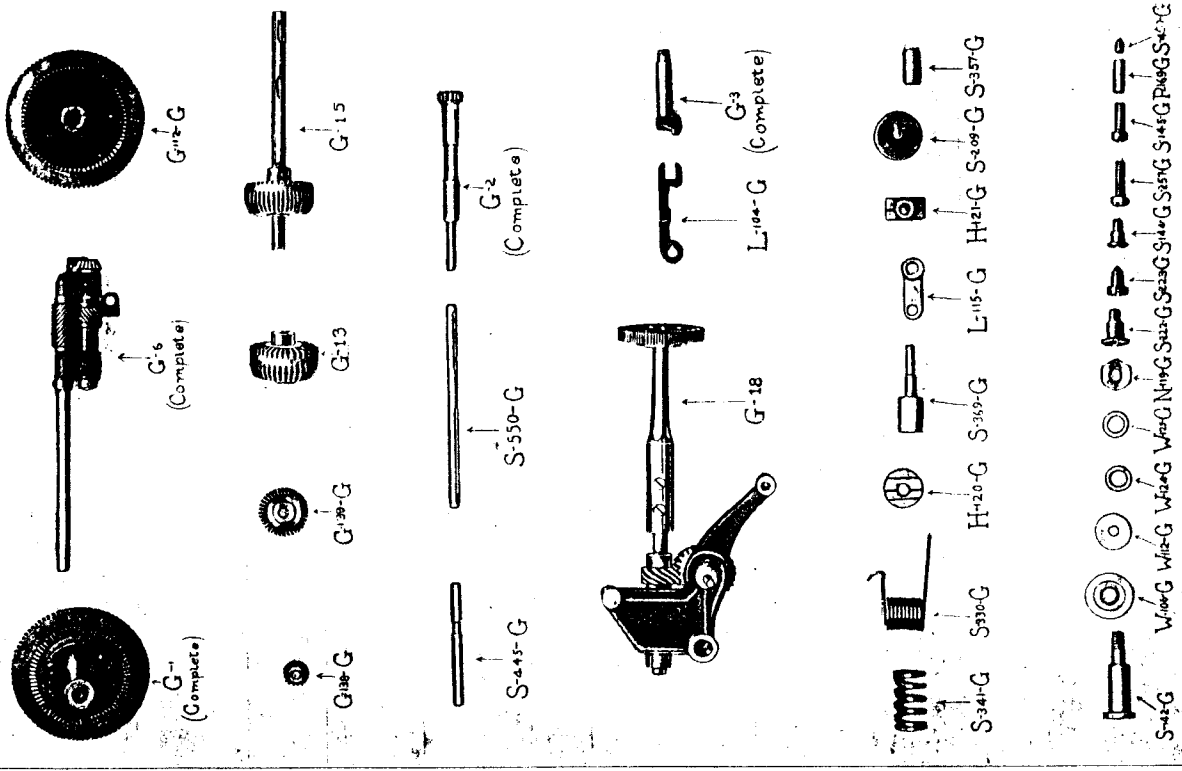
Part No.	G-18	Description	Price
B-264-G	Bracket:	Framing Mechanism (New Style) (Includes G-19 and G-20)	20.00
F-152-G	Flange:	Framing Mechanism Support Bracket	2.50
H-196-G	Handle:	Framing Lever Gear Friction Flange	1.00
K-100-N	Knob:	Framing Mechanism Handle	3.00
N-177-G	Nut:	Framing Mechanism Fibre Knob	.75
S-122-G	Screw:	Framing Lever Gear Friction Adj. Nut (2), each	1.00
S-142-G	Screw:	Framing Mechanism Screw (5), each	.05
S-773-G	Stud:	Framing Lever Pivot Stud	.05
W-196-G	Washer:	Framing Lever Gear Friction Washer	1.25
G-19	Framing Mechanism	Driving Shaft, Gear and Collar	3.50
C-313-G	Collar:	Framing Driving Shaft Collar	*
G-197-G	Gear:	Framing Mechanism Driving Shaft Gear	*
P-107-G	Pin:	Taper Pin (2), each	.05
S-774-G	Shaft:	Framing Mechanism Driving Shaft	*
G-20	Framing Lever and Gear		5.00
G-196-G	Gear:	Framing Lever Gear	*
L-157-G	Lever:	Framing Lever	*

"G" PARTS

A-118-G	Arm:	Picture Framing Handle Arm	1.75
B-122-G	Bracket:	Shutter Gear Bracket, old style	2.75
G-112-G	Gear:	Main Driving Gear	6.50
G-138-G	Gear:	Bevel Gear No. 3	1.75
G-139-G	Gear:	Upper Sprocket Shaft Gear	3.00
H-120-G	Holder:	Governor Lower Link Holder	1.50
H-121-G	Holder:	Governor Upper Link Holder	1.25
L-104-G	Lever:	Framing Slide Lever	1.00
L-107-G	Lever:	Picture Framing Lever	1.75
L-112-D	Link:	Governor Weight Link	.05
L-114-G	Link:	Picture Framing Connecting Link	.70
L-115-G	Link:	Picture Framing Link	1.85
N-119-G	Nut:	Picture Framing Lever Pivot Screw Nut	.10
P-169-G	Pin:	Shutter Gear Bracket Dowel Pin	.05
S-100-E	Screw:	Pivot Screw	.05
S-142-G	Screw:	Picture Framing Lever Pivot Screw	.30
S-144-G	Screw:	Picture Framing Link Screw	1.5
S-145-G	Screw:	Framing Slide Lever Stud Spring Retaining Screw	.05
S-151-D	Screw:	Governor Link Holder Screw	.30
S-209-G	Screw:	Main Driving Gear Retaining Screw	.10
S-222-G	Screw:	Picture Framing Link Screw	.10
S-223-G	Screw:	Picture Framing Connecting Link Screw	.05
S-237-G	Screw:	Shutter Gear Bracket Screw	.05
S-437-G	Screw:	Bevel Gear Set Screw	1.35
S-305-G	Shaft:	Upper Sprocket Shaft (Old Style)	3.00
S-447-G	Shaft:	Shutter Shaft, old style, 3/8" diameter	5.00
S-574-G	Shaft:	Shutter Shaft, 5/16" diameter	1.45
S-574-G	Shaft:	Shutter Shaft, 5/16" diameter extra long	3.50
S-330-G	Spring:	Framing Slide Lever Spring	.20
S-341-G	Spring:	Picture Framing Handle Friction Spring	.20
S-357-G	Stop:	Governor Weight Stop	.50
S-369-G	Stud:	Framing Slide Lever Stud	1.0
W-106-G	Washer:	Framing Handle Friction Washer	.10
W-112-G	Washer:	Framing Slide Lever Retain Spring Washer	.10
W-124-G	Washer:	Vertical Shaft Washer No. 1	.10
W-125-G	Washer:	Vertical Shaft Washer No. 2	.20

*These parts are not sold separately.

"G" INSIDE MECHANISM ASSEMBLY.



"I" INCANDESCENT LAMP AND LAMPHOUSE ASSEMBLY COMPLETE

90.00

Complete "I" Sub-Assemblies

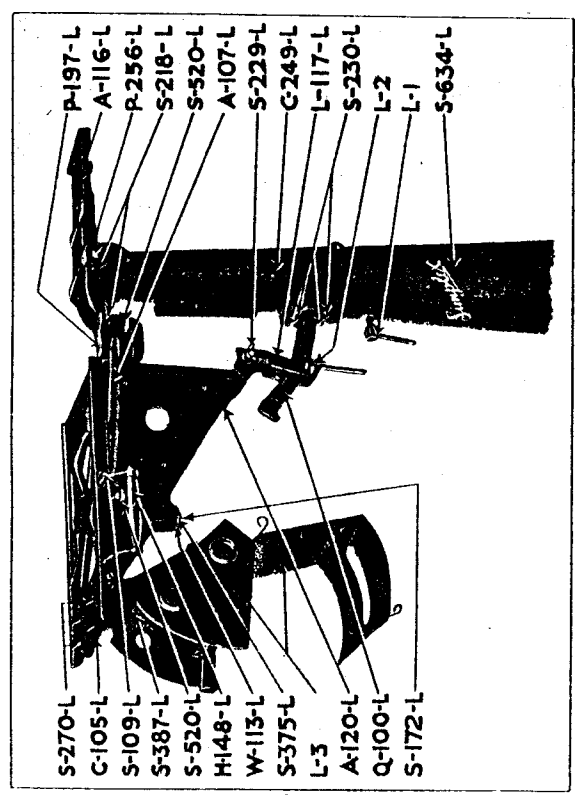
Part No.	Description	Price
I-3	Incandescent Socket Assembly	8.00
B-211-I	Lamp Holder Bracket	4.80
B-212-I	Lamp Contact Blade	.30
E-106-I	Lamp Holder Bracket Extension	2.50
K-121-I	Lamp Lateral Adjusting Screw Knob	1.40
K-122-I	Lamp Locking Screw Knob	.30
N-154-I	Lamp Holder Bracket Clamp Nut	.25
S-127-N	Feed Knob Hub Screw (2), each	.05
S-603-I	Lamp Holder Bracket Stud	.50
S-604-I	Lamp Contact Spring	.15
S-608-I	Lamp Socket	.75
S-723-I	Lamp Holder Bracket Extension Screw	.05
I-6	Incandescent Lamp Leads for Use with A. C. Regulator	12.50
I-13	Incandescent Lamp Lug (2), each	.70
R-22	Regular Lug (8), each	.50
W-165-R	No. 8 Stranded Asbestos Wire (23 ft.) it.	.25
I-7	Incandescent Lamp Leads for Use with D. C. Regulator	12.25
I-13	Incandescent Lamp Lug (2), each	.70
R-22	Regular Lug (8), each	.50
W-165-R	No. 8 Stranded Asbestos Wire (26 ft.) it.	.25
I-8	Incandescent Lamp Leads for Use Without Ammeter and Regulator	6.00
I-13	Incandescent Lamp Lug (2), each	.70
R-22	Regular Lug (8), each	.50
W-165-R	No. 8 Stranded Asbestos Wire (7 ft.) it.	.25
I-10	Cinephor Condenser Mount Assembly	30.00
A-156-I	Slide Abutment, Right	1.25
A-157-I	Slide Abutment, Left	1.25
F-151-I	Vertical Slide Holder Frame	6.50
H-144-Q	Condenser Holder Frame Handle	.70
H-173-I	Incandescent Lamphouse Hood	4.00
H-193-I	Double Condenser Holder	6.00
N-119-G	Hinge Rod Nut (2), each	.10
N-174-I	Slide Abutment Nut (4), each	.75
P-365-I	Rear Condenser Support Pin (2), each	2.50
P-366-I	Hood Plate	.90
R-222-I	Hinge Rod	.05
S-145-G	Main Frame Fastening Screw (4), each	.10
S-263-Q	Condenser Holder Frame Support Screw (4), each	1.80
S-278-A	Hood Fastening Screw (5), each	.05
S-415-Q	Condenser Holder Frame Support	.10
S-442-G	Retaining Collar Set Screw (4), each	.05
S-525-Q	Condenser Holder Frame Locking Pivot Screw	.10
S-727-I	Vertical Slide Holder Short Retaining Spring (2), each	.15
S-732-I	Vertical Slide Holder Long Retaining Spring (2), each	.15
S-747-I	Spring Spacer (4), each	.20
S-769-I	Spring Screw (4), each	.10
S-770-I	Double Condenser Holder Screw (3), each	.15

*These parts are not sold separately.

Complete "I" Sub-Assemblies (Continued)

Part No.	Description	Price
I-11	Ammeter and Bracket Assembly	18.00
A-149-I	30 Volt, 30 Amp. Ammeter	15.00
B-256-I	Ammeter Bracket	1.50
M-101-F	Tube Mica, per foot	.60
N-132-U	Ammeter Fastening Screw Nut (4), each	.10
S-257-G	Ammeter Fastening Screw (4), each	.05
W-102-F	Mica Washer, per lb.	3.00
I-12	Mirror Holder	5.50
B-263-I	Mirror Holder Bracket	1.50
H-194-I	Mirror Holder	3.00
S-408-Q	Retaining Screw (2), each	.10
S-628-O	Dowser Screw (2), each	.10
S-779-I	Mirror Clamping Screw (3), each	.15
I-13	Incandescent Lamphouse Lug	.70
L-140-I	Contact Lug	*
N-156-I	Contact Lug Clamping Nut	*
"I" PARTS		
B-206-F	Lamphouse Base	7.80
B-213-I	Lamp Contact Stud Insulation Bushing (4), each	.25
B-215-I	Power's Incandescent Lamphouse Base	10.00
B-216-I	Power's Incandescent Lamphouse Base Handle Bracket	.40
C-211-X	Mirror Lifting Gear Collar	.30
F-128-I	Main Frame	3.00
F-129-I	Mirror Horizontal Sliding Frame	1.50
F-130-I	Lamp Horizontal Sliding Frame	2.00
F-131-I	Lamp Vertical Sliding Frame	2.00
F-132-I	Mirror Vertical Sliding Frame	1.75
G-159-I	Mirror Lifting Gear	1.35
G-160-I	Lamp Lifting Gear	1.25
H-167-I	Adjusting Knob Hub	.35
H-168-I	Lamphouse	35.00
H-181-I	Power's Incandescent Lamphouse Handle	.45
K-101-N	Adjusting Knob	.50
L-139-I	Lamp Holder Clamp Link	.20
N-104-Q	Main Frame Fastening Screw Nut	.05
N-135-I	Contact Stud Nut	.30
R-183-I	Mirror Lifting Rack	1.00
R-184-I	Lamp Lifting Rack	.80
R-185-I	Lamp Vertical Sliding Guide Rod	.50
S-127-N	Adjusting Knob Hub Screw	.05
S-165-C	Slide Abutment Fastening Screw	.10
S-436-G	Collar Set Screw	.05
S-606-I	Lamp Holder Front Contact Stud	1.00
S-607-I	Lamp Holder Rear Contact Stud	1.25
S-609-I	Lamp Longitudinal Adj. Screw	2.50
S-610-I	Mirror Long. Adjusting Screw	1.75
S-611-I	Mirror Vertical Sliding Frame Clamp Screw	.75
S-612-I	Lifting Gear Friction Spring	.10
S-616-I	Power's Incandescent Lamphouse Base Handle Stud	.60
S-723-I	Bracket Extension Screw	.05
W-112-G	Mirror Long. Adj. Screw Retain Washer	.10
W-166-I	Contact Stud Washer	.15
C-315-I	Cinephor Condensers P. M. 30	15.00
IL-154	Cinephor Condenser P. M. 15	10.00
IL-156	Incandescent Lamp Mirror	6.50

*These parts are not sold separately.



Part No.	Description	Price
"L"	PEDESTAL COMPLETE WITH STAND BASE	90.00
"L"	PEDESTAL COMPLETE WITH STAND BASE	100.00
Complete "L" Sub-Assemblies		
L-1	Pedestal Stand Handle Assembly	1.25
H-104-L	Handle:	*
S-221-L	Screw:	*
W-154-L	Washer:	*
L-2	Quadrant Lock Clamp Handle Assembly	1.25
H-104-L	Handle:	*
S-228-L	Screw:	*
W-154-L	Washer:	*
L-3	Switch Box and Cover	5.50
L-4	Sixty Ampere Switch Box, Switch and Bracket Assembly (Includes L-3)	7.50
B-124-L	Bracket:	1.50
S-257-G	Screw:	.05
S-387-L	Switch:	2.10
W-197-L	Washer:	.05
L-5	One Hundred Ampere Switch, Box and Bracket	15.00
B-124-L	Bracket:	1.50

*These parts are not sold separately.

Complete "L" Sub-Assemblies (Continued)

Part No.	Description	Price
B-189-L	Box:	9.00
B-240-L	Bushing:	.10
N-132-U	Nut:	.10
N-162-L	Nut:	.10
N-163-L	Nipple:	.35
S-388-L	Switch:	4.75
S-408-Q	Screw:	.10
W-197-L	Washer:	.05
L-7	Two Hundred Ampere Switch, Box and Bracket	25.00
B-173-L	Bracket:	3.25
B-240-L	Box:	10.00
B-240-L	Bushing:	.10
N-162-L	Nut:	.10
N-163-L	Nipple:	.35
S-408-Q	Screw:	.10
S-635-L	Switch:	10.00
N-130-Q	Nut:	.10
W-197-L	Washer:	.05
H-197-L	Handle:	.50
R-230-L	Rod:	.50
L-8	Four Pole Switch, Box and Bracket	35.00
B-136-S	Bushing:	.25
B-173-L	Bracket:	3.25
B-174-L	Box:	20.00
B-240-L	Bushing:	.10
N-133-S	Nipple:	.15
N-134-S	Nut:	.10
N-162-L	Nut:	.10
N-163-L	Nipple:	.35
S-643-L	Switch:	10.00
L-9	Small Pedestal Stand Assembly (Includes L-1)	30.00
B-223-L	Base:	15.00
B-236-L	Bolt:	.35
S-109-F	Screw:	.10
S-701-L	Stand:	15.00
W-109-L	Washer:	.10
W-187-L	Washer:	.15
L-10	Mass. Switch, Box and Bracket	15.00
B-136-S	Bushing:	.25
B-175-L	Bracket:	2.50
B-235-L	Box:	6.00
C-140-S	Connector:	.25
C-209-S	Cable:	2.10
C-210-S	Cord:	1.00
H-160-L	Handle:	1.00
N-106-L	Nut:	.15
N-133-S	Nipple:	.15
N-134-S	Nut:	.10
S-257-G	Screw:	.05
S-669-L	Switch:	1.25

*These parts are not sold separately.

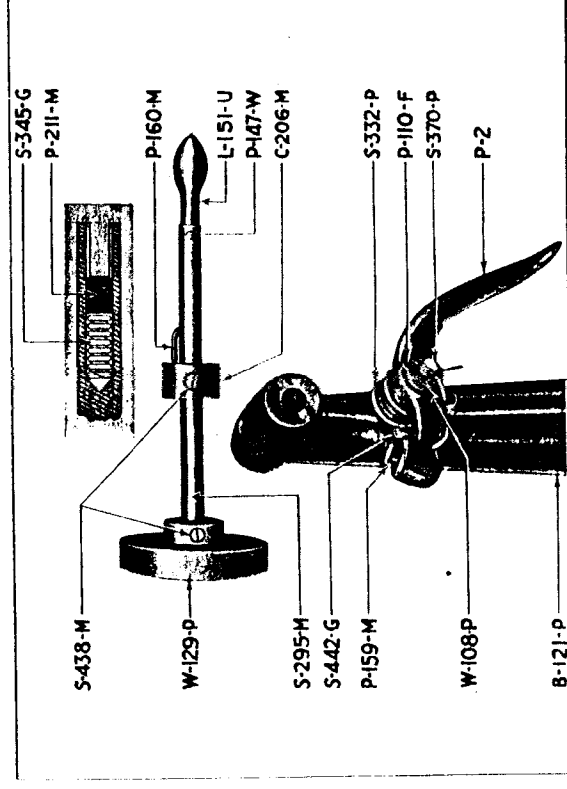
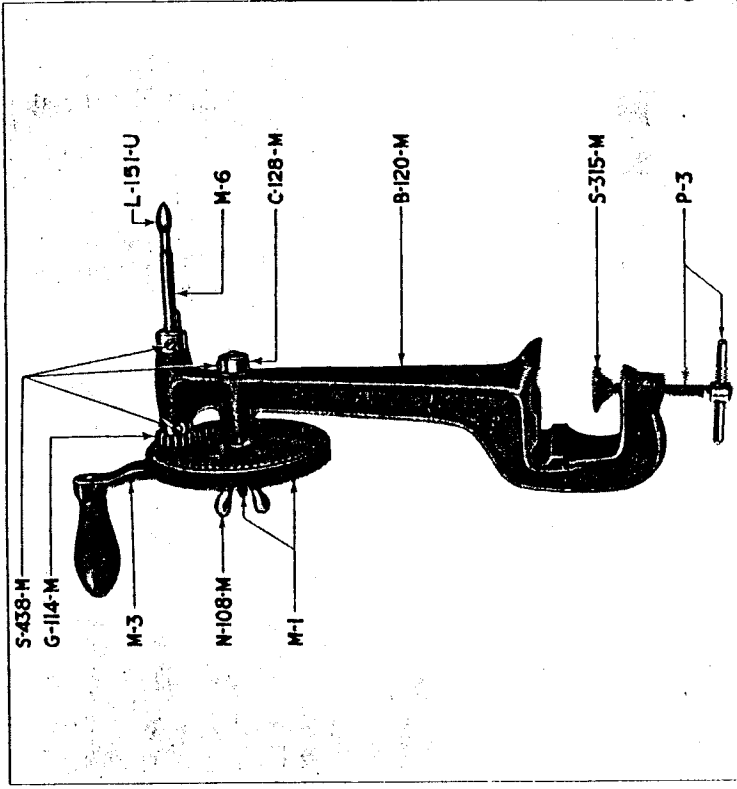
Complete "L" Sub-Assemblies (Continued)

Part No.	Description	Price
L-11	Pedestal Tilting Device	30.00
L-12	Regular Pedestal Stand (Includes L-1)	30.00
B-223-L	Pedestal Base	15.00
B-236-L	Pedestal Bolt (6), each	.35
S-109-F	Pedestal Grounding Screw	.10
S-634-L	Pedestal Stand	15.00
W-109-L	Pedestal Grounding Screw Washer	.10
W-187-L	Bolt Washer (6), each	.15
B-269-L	Underslung Motor Table Assembly	40.00
B-270-L	Pedestal Column Motor Bracket	15.00
R-229-L	Motor Bracket	15.00
S-786-L	Motor Support Rod	10.00
	Fastening Set Screw (4), each	.25

"L" PARTS

A-107-L	Auxiliary Arm	2.50
A-116-L	Pedestal Arm	12.00
A-120-L	Slide Over Arm	10.00
B-223-L	Pedestal Base	15.00
B-267-L	Pedestal Base (five-point)	25.00
B-236-L	Pedestal Base Bolt	.35
C-103-L	Lamphouse Carriage	16.00
C-249-L	Pedestal Column	20.00
D-120-L	Decalcomania	.15
H-148-L	Lamphouse Carriage Handle	.50
L-117-L	Quadrant Lock	2.70
P-195-L	Pedestal Arm Pivot, old type	.80
P-197-L	Slide Over Arm Pivot	.30
P-256-L	Pedestal Arm Pivot	.80
Q-100-L	Quadrant	3.00
Q-101-L	Extra Long Quadrant	5.25
S-109-F	Lamphouse Carriage Handle Retaining Screw	.10
S-118-L	Pedestal Arm Pivot Set Screw	.05
S-172-L	Lamphouse Carriage Retaining Screw	.10
S-218-L	Pedestal Arm Pivot Screw	.05
S-229-L	Quadrant Lock Retaining Screw	.25
S-230-L	Quadrant Stand Screw	.10
S-270-L	Switch Box Screw	.05
S-373-L	Lamphouse Carriage Pivot Screw	.75
S-520-L	Auxiliary Arm Pivot Screw	.50
S-670-L	Pedestal Shoe 1"	1.00
S-671-L	Pedestal Shoe 2"	1.25
S-672-L	Pedestal Shoe 3"	1.50
S-673-L	Pedestal Shoe 4"	2.00
S-674-L	Pedestal Shoe 5"	2.25
S-675-L	Pedestal Shoe 6"	3.00
S-784-L	Tilting Device Fastening Screw	.25
S-513-L	Motor Table Stop	.10
W-109-L	Pedestal Arm Pivot Washer	.10
W-113-L	Lamphouse Carriage Washer	.10
W-187-L	Pedestal Bolt Washer	.15

*These parts are not sold separately.



Part No.	Description	Price
"M"		
REWINDER ELEMENT		
Complete "M" Sub-Assemblies		
M-1	Internal Gear, Shaft and Collar Complete (Includes M-5)	3.00
C-128-M	Collar:	.25
S-438-M	Screw:	.05
M-2	Rewinder Reel Shaft & Gear (Includes M-6)	2.30
G-114-M	Gear:	1.10
S-438-M	Screw:	.05
M-3	Rewinder Handle Assembly	1.25
A-119-M	Arm:	*
H-109-D	Handle:	*
S-366-D	Stud:	*
W-103-D	Washer:	*
M-5	Internal Gear and Shaft	2.00
M-6	Rewinder Reel Shaft Complete	1.25
C-206-M	Collar:	.50
L-151-U	Lock:	.25
P-160-M	Pin:	.05
P-211-M	Plunger:	.10
S-295-M	Shaft:	.45
S-345-M	Spring:	.05
S-438-M	Screw:	.05

"P"		
REWINDER IDLER		
Complete "P" Sub-Assemblies		
P-1	Rewinder Brake Wheel (Includes M-6)	5.00
S-438-M	Screw:	2.10
W-129-P	Wheel:	.05
P-2	Rewinder Brake Wheel	1.00
L-108-P	Lever:	.70
P-159-P	Plug:	.40
P-161-M	Pin:	.05
S-241-M	Screw:	.70
"M" and "P" PARTS		
B-120-M	Bracket:	2.50
B-121-P	Bracket:	2.50
C-128-M	Collar:	.25
G-114-M	Gear:	1.10
N-108-M	Nut:	.20
P-113-F	Pin:	.05
S-125-B	Screw:	.05
S-315-P	Shoe:	.15
S-332-P	Spring:	.10
S-370-P	Stud:	.10
S-438-M	Screw:	.05
W-108-P	Washer:	.10
W-129-P	Wheel:	1.00

*These parts are not sold separately.

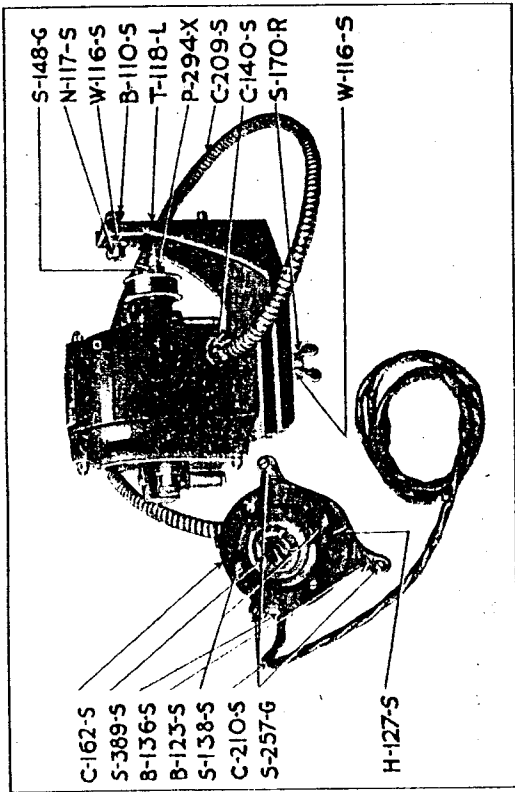
"R" MACHINE ACCESSORIES
Complete "R" Sub-Assemblies

Part No.	Description	Price
R-4	Small Takeup Belt	1.00
B-200-R	Takeup Belting (per foot)	.15
H-132-R	Belt Hook	.05
R-5	Stereo Lens Holder Assembly	2.00
H-146-R	Holder:	*
R-112-R	Ring:	*
R-6	Stereo Universal Clamp	3.00
B-150-R	Body:	*
C-190-R	Clamp:	*
P-178-R	Pin:	*
S-155-R	Screw:	.50
R-7	Intermittent Case Wrench Assembly	.75
P-135-R	Pin:	*
W-136-R	Wrench:	*
R-8	Aperture Light Shield Assembly	.50
G-136-R	Glass:	.25
S-453-R	Shield:	.25
R-9	Lamphouse Reflector Assembly	.50
G-123-R	Glass:	.15
R-106-R	Reflector:	.30
R-10	Large Takeup Belt Assembled	1.00
B-200-R	Belt:	.15
H-132-R	Hook:	.05
R-11	Stereo Lens Holder and Clamp Assembly (Includes R-5 and R-6)	5.00

R-12	Set of No. 6 Asbestos Wire Leads	6.50
Lug:	Brass (6), each	.30
W-133-R	Wire: Lead No. 6 Asbestos Wire 3' Long (per foot)	.30
W-133-R	Wire: Lead No. 6 Asbestos Wire 4' Long (per foot)	.30
W-133-R	Wire: Lead No. 6 Asbestos Wire 6' Long (per foot)	.30
R-14	Condenser Holder Clamp and Ring	6.00
C-171-R	Clamp:	*
R-135-R	Ring:	*
R-15	Double Aperture Light Shield	3.00
G-180-R	Glass: Double Aperture Light Shield Glass (2), each	.30
N-135-W	Nut: Double Aperture Light Shield Nut (2), each	.05
S-427-U	Screw: Double Aperture Light Shield Screw (2), each	.05
S-700-R	Shield:	2.00
S-735-R	Spring:	.10
R-20	High Intensity Lamp Double Aperture Light Shield	5.00
G-192-R	Glass: Double Aperture Light Shield Glass (2), each	.75
N-135-W	Nut: Double Aperture Light Shield Nut (2), each	.05
S-427-U	Screw: Double Aperture Light Shield Screw (2), each	.05
S-700-R	Shield:	2.00
S-735-R	Spring:	.10
C-317-R	Cover: Light Shield Cover	*
R-21	Cinephor Condenser Holder Set	6.00
C-310-R	Clamp: Par. Condenser Holder Clamp	*
R-223-R	Ring: Par. Condenser Holder Ring	*
R-23	Small Take-up Belt for 18" Magazines	1.50
B-200-R	Belting: Belting (per foot)	.15
H-132-R	Hook: Belt Hook	.05
R-24	Large Take-up Belt for 18" Magazines	1.50
B-200-R	Belting: Belting (per foot)	.15
H-132-R	Hook: Belt Hook	.05

*These parts are not sold separately.

"S" MOTOR ASSEMBLY



"S" MOTOR ASSEMBLY

Part No.	Description	Price
S-1	Snap Switch & Cable Assembly	12.00
B-123-S	Switch Box Bracket	1.25
B-136-S	1/2" Bushing	.25
C-140-S	3/8" Squeeze Connector (2), each	.25
C-162-S	Snap Switch Cover with Switch Bridge & Screws Complete	.25
C-209-S	Armored Cable	2.10
C-210-S	Canvasite Cord	1.00
H-127-S	Snap Switch Holder	.30
N-133-S	1/4" Chase Nipple	.15
N-134-S	1/2" Chase Lock Nut	.10
S-138-E	Bracket Box Fastening Screw (2), each	.05
S-257-C	Bracket Retain Screw (3), each	.05
S-389-S	Snap Switch	2.00
S-6	A. C. Motor 110 volts 60 cycles 1/6 H. P. (Includes S-1)	57.00
M-111-S	Motor	45.00
P-294-X	Pulley	.75
S-148-X	Motor Pulley Set Screw	.05

*These parts are not sold separately.

Complete "S" Sub-Assemblies (Continued)

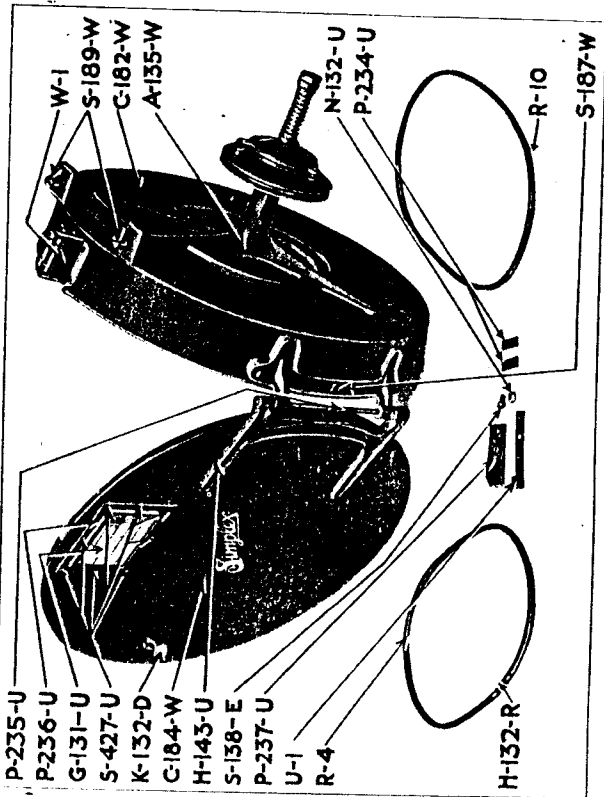
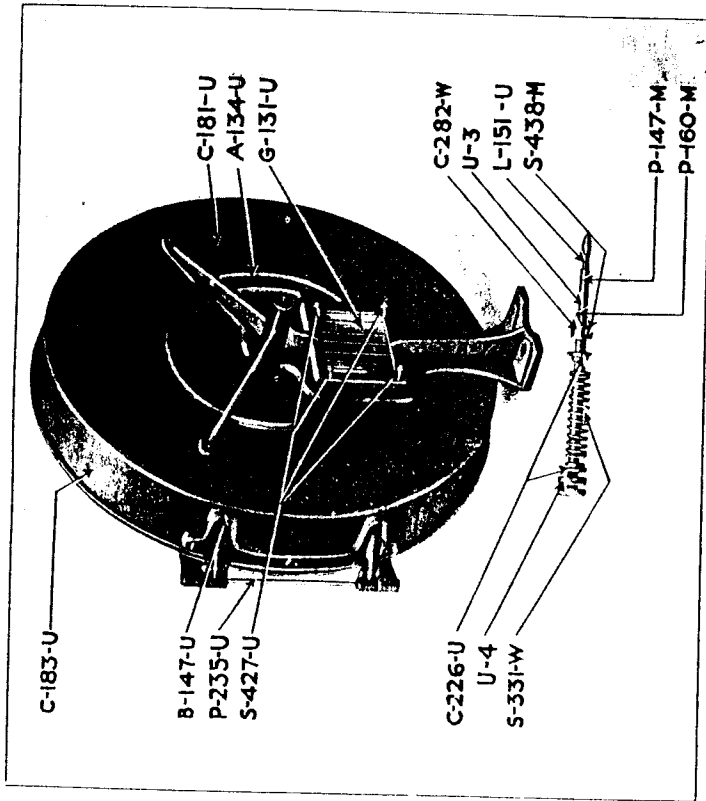
Part No.	Description	Price
S-11	A. C. Motor 220 Volts 60 cycles 1/6 H. P. (Includes S-1)	57.00
M-107-S	Motor	45.00
P-294-X	Motor Pulley, new style	.75
S-148-X	Motor Pulley Set Screw	.05
S-20	D. C. Motor 115 Volts 1/6 H. P. (Includes S-1)	57.00
M-113-S	Motor	45.00
P-294-X	Motor Pulley, new style	.75
S-148-X	Motor Pulley Set Screw	.05
S-22	D. C. Motor 230 Volts 1/6 H. P. (Includes S-1)	57.00
M-115-S	Motor	45.00
P-294-X	Motor Pulley, new style	.75
S-148-X	Motor Pulley Set Screw	.05
S-24	Double Snap Switch Assembly	10.00
B-136-S	1/2" Bushing	.25
B-253-S	Snap Switch Bracket	1.25
S-783-S	Snap Switch Screw (2), each	.05
C-140-S	Squeeze Connector 3/8"	.25
C-161-S	Snap Switch Cover	.25
C-162-S	Snap Switch Holder Cover	.30
H-127-S	Snap Switch Holder	.15
N-133-S	1/4" Chase Nipple	.10
N-134-S	1/2" Chase Lock Nut	.05
S-138-E	Snap Switch Bracket Screw (4), each	.05
S-163-C	Snap Switch Cover Retain Screw (2), each	.05
S-257-G	Bracket Retain Screw (3), each	2.25
S-699-S	Three Way Snap Switch (2), each	2.10
C-209-S	Armored Cable	1.00
C-210-S	Canvasite Cord	1.00
S-25	A. C. Motor 110 Volts 60 Cycles 1/4 H. P. (Includes S-1)	67.00
M-132-S	Motor	55.00
P-294-X	Motor Pulley, new style	.75
S-148-X	Motor Pulley Set Screw	.05
S-26	D. C. Motor 115 Volts 1/4 H. P. (Includes S-1)	67.00
M-133-S	Motor	55.00
P-294-X	Motor Pulley, new style	.75
S-148-X	Motor Pulley Set Screw	.05
S-27	D. C. Motor 230 Volts 1/4 H. P. (Includes S-1)	67.00
M-134-S	Motor	55.00
P-294-X	Motor Pulley, new style	.75
S-148-X	Motor Pulley Set Screw	.05
S-28	A. C. Motor 220 Volts 60 Cycles 1/4 H. P. (Includes S-1)	67.00
M-135-S	Motor	55.00
P-294-X	Motor Pulley, new style	.75
S-148-X	Motor Pulley Set Screw	.05

"S" PARTS

B-110-S	Motor Table Attachment Bolt	.35
N-117-S	Motor Table Bolt Nut	.15
S-170-R	Motor Fastening Screw	.50
T-118-S	Motor Table	7.20
W-104-S	Motor Table Bolt Washer	.05

*These parts are not sold separately.

"U" AND "W" MAGAZINE ASSEMBLIES



Part No.	"U"	"W"	Description	Price
			UPPER MAGAZINE ASSEMBLY 16" (Includes R-4 and R-10)	25.00
			LOWER MAGAZINE ASSEMBLY 16" (Includes R-4 and R-10)	35.00
			Complete "U" and "W" Sub-Assemblies	
	U-1		Magazine Latch Assembly	.50
	L-127-U		Magazine Latch	*
	R-146-U		Magazine Latch Rivet (2)	*
	S-421-U		Magazine Latch Spring	*
	U-3		Upper Magazine Shaft Complete	2.70
	L-151-U		Reel Lock	.25
	P-211-M		Reel Lock Plunger	.10
	S-345-U		Reel Lock Plunger Spring	.05
	S-702-U		Upper Reel Shaft	1.30
	U-4		Shaft Adjusting Nut Assembly	.75
	N-149-U		Adjusting Nut	*
	S-165-C		Adjusting Nut Set Screw	*
	U-5		Magazine Hinge Complete, old style	1.45
	W-1		Lower Magazine Roller Holder Assembly	4.20
	H-124-W		Lower Magazine Roller Holder	1.75
	R-160-C		Magazine Roller, small (3), each	.70
	R-161-C		Magazine Roller, Large	.90
	S-85-C		Magazine Roller Screw (8), each	.10
	W-2		Lower Take-up Shaft Complete, old style	.75
	W-5		Take-up Shaft and Collar	2.75
	C-282-W		Take-up Shaft Collar	.40
	L-151-U		Magazine Reel Shaft Lock	.25
	P-160-M		Reel Shaft Collar Pin	.05
	P-211-M		Reel Lock Plunger	.10
	S-733-W		Lower Magazine Shaft Collar Fastening Screw	.05
	S-345-W		Reel Lock Spring	.05
	S-703-W		Take-up Shaft	.49
	W-6		High Speed Take-up Pulley Assembly	3.00
	P-288-W		High Speed Take-up Pulley	3.00
	P-178-R		Take-up Pulley Pin (3), each	.05
	W-7		Low Speed Take-up Pulley Assembly	3.00
	P-178-R		Lower Take-up Pulley Pin	.05
	P-287-W		Lower Take-up Pulley	3.00
	W-9		High Speed Chain Take-up Pulley (Includes W-6)	7.00
	S-759-W		9 Tooth Take-up Pulley Sprocket	*
	W-10		Low Speed Chain Take-up Pulley (Includes W-6)	3.50
	S-122-C		Cover Screw (3), each	.05
	S-761-W		27 Tooth Take-up Pulley Sprocket	*
	W-11		Chain Take-up Idler Arm and Pulley	3.50
	A-111-W		Chain Take-up Idler Arm	2.25
	P-113-F		Cotter Pin	.05
	P-363-W		Chain Take-up Idler Arm Pulley	.95
	S-372-W		Idler Arm Stud	*
	S-153-R		Wing Screw	.50
	W-108-P		Pulley Washer	.10
	W-13		Large Take-up Chain (for 16" Magazines)	7.00
	W-14		Lower Magazine Roller Holder (Mass. Req.)	6.00
	B-258-W		Lower Magazine Roller Holder Block, Left	1.25
	B-259-W		Lower Magazine Roller Holder Block, Right	1.00
	P-369-W		Lower Magazine Roller Holder Front Plate, Right	.50
	P-370-W		Lower Magazine Roller Holder Front Plate, Left	.40
	P-371-W		Lower Magazine Roller Holder Back Plate	.60
	R-227-C		Magazine Roller (Mass. Req.) (4), each	1.00
	S-776-C		Magazine Holder Plate Fastening Screw (12), each	.05

*These parts are not sold separately.

"U" & "W" PARTS

Part No.	Description	Price
A-134-U	Upper Magazine Arm	3.00
A-135-W	Lower Magazine Arm	3.25
B-147-U	Magazine Hinge Bracket	1.25
B-195-W	Take-up Shaft Bearing Bushing	4.00
C-181-U	Upper Magazine Case	6.00
C-182-W	Lower Magazine Case	6.50
C-183-U	Upper Magazine Cover	6.50
C-184-W	Lower Magazine Cover	6.50
C-226-U	Friction Adjusting Collar	.20
C-282-W	Lower Magazine Collar	.40
D-121-W	Take-up Shaft Friction Disc	1.00
D-122-W	Take-up Shaft Floating Disc	1.00
G-131-U	Magazine Door Wire Glass	.25
H-143-U	Magazine Hinge	1.25
K-106-D	Magazine Cover Knob (old style)	.45
K-132-D	Magazine Cover Knob	.50
N-132-U	Magazine Latch Spring Ret. Nut	.10
N-135-W	Wire Glass Retain Plate Nut	.05
P-160-M	Magazine Shaft Collar Pin	.10
P-234-U	Latch Distance Piece	.15
P-235-U	Hinge Pin	.15
P-236-U	Door Glass Retain Plate	.10
P-237-U	Latch Spring Protector	.15
S-138-E	Latch Spring Retaining Screw	.05
S-187-W	Magazine Screw	.05
S-189-W	Magazine Fastening Screw	.10
S-223-G	Take-up Shaft Bearing Bushing Fastening Screw	.10
S-233-U	Cover Knob Retain Screw	.05
S-331-W	Friction Spring	.20
S-427-Q	Wire Glass Retain Plate Screw	.05
S-428-Q	Set Screw	.05
S-721-U	Wire Glass Retain Spring	.10
S-733-W	Lower Magazine Collar Screw	.05
W-163-W	Take-up Leather Washer	.15

"U" & "W" UPPER AND LOWER MAGAZINE COM-
PLETE 18" per set

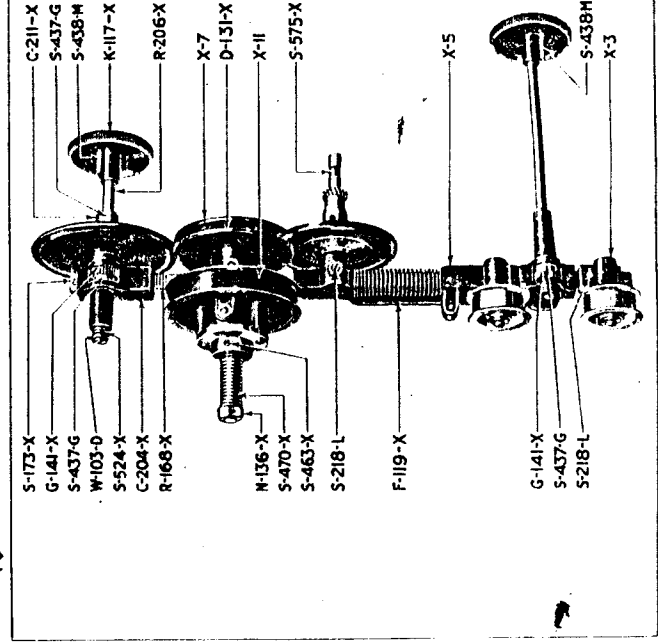
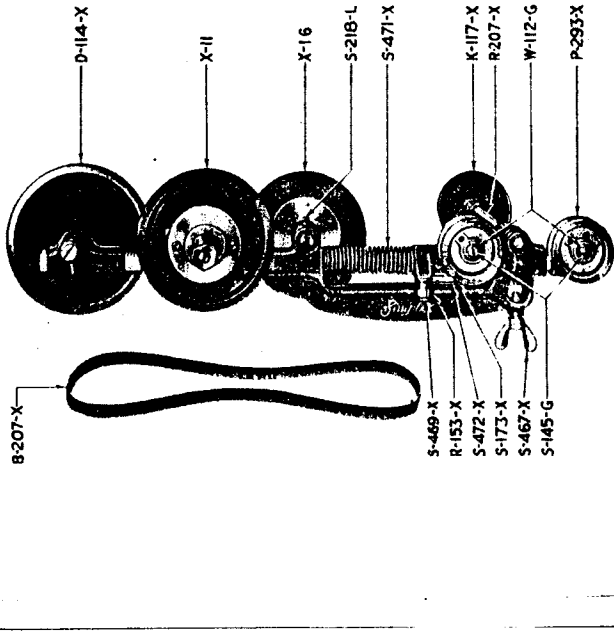
110.00

Complete Sub-Assemblies same as 16"

C-287-U	Case	20.00
C-288-U	Cover	20.00
A-141-W	Arm	4.25
A-142-U	Arm	4.25
B-222-U	Bracket	1.25

"V"
 Bracket: 30.00
 Counter: 3.75
 Door: 10.00
 Flange: 6.50
 Gear: 2.25
 Gear: 3.00
 Gear: 3.00
 Pin: .05
 Shaft: .15
 Stud: 1.50
 Screw: .05
 Wheel: 3.00
 Pin: .05
 Screw: .05

*These parts are not sold separately.



Part No.	Description	Price
"X"		
SPEED CONTROL ASSEMBLY COMPLETE		
Complete "X" Sub-Assemblies		
X-1	Friction Disc Carrier	*
X-2	Friction Disc Carrier and Oil Cups (Includes X-1)	3.50
C-141-X	Oil Cup	.25
S-248-L	Set Screw	.25
X-3	Idle Pulley Carrier	2.50
X-4	Idle Pulley Carrier and Pulley (Includes X-3)	4.00
D-203-X	Idle Pulley	2.50
S-145-X	Idle Pulley Washer	.04
S-248-L	Set Screw	.25
W-112-G	Idle Pulley Retain Washer	.40
X-5	Tension Pulley Carrier	3.50
X-7	External Friction Disc (Includes S-735-X)	4.50
D-130-X	External Friction Disc	*
S-474-X	External Friction Disc Stud	*
X-8	Fibre Friction Disc	6.50
D-117-X	Fibre Friction Disc	*
P-274-X	Fibre Friction Disc Retain Plate (2)	*
P-275-X	Fibre Friction Disc Pinion	*
R-173-X	Fibre Friction Disc Retain Rivet (12)	*
X-10	Speed Control Main Pulley	*
X-11	Main Pulley and Oil Cup	3.50
C-141-X	Oil Cup	.25
P-247-X	Main Pulley Driving Pin (2), each	.95
X-16	Leather Friction Disc Assembly	8.00
D-126-X	Friction Disc	*
P-310-X	Friction Disc Plate (2)	*
P-331-X	Motor Pinion	*
R-210-X	Friction Disc Rivet	*
"X" PARTS		
B-207-X	Speed Control Belt	1.00
C-141-X	Oil Cup	.25
C-204-X	Starting Mechanism Friction Disc Carrier	2.00
C-211-X	Starting Knob Rod Collar	.30
D-114-X	Starting Mechanism Friction Disc	3.00
D-131-X	Internal Friction Disc	5.25
F-116-X	External Friction Disc Driving Flange	1.75
F-119-X	Speed Control Main Frame	7.50
G-141-X	Speed Adjust. Gear	1.75
K-117-X	Speed Control Knob	1.00
N-136-X	Friction Spring Nut	.25

You are cordially invited to visit the factory of the International Protector Corporation and witness the operation of the enter into the manufacture of Simplex Air and Simplex Motors. In our factory the oldest and largest of its kind in the world all parts are made to certain definite measurements and some with a precision that is exceeded only in the manufacture of fine scientific instruments. Such accuracy is costly but absolutely necessary and involves long experience, a huge investment, special machinery, superior workmanship, and specially selected materials. For these reasons we have extended this invitation.