

Film-Tech

The information contained in this Adobe Acrobat pdf file is provided at your own risk and good judgment.

These manuals are designed to facilitate the exchange of information related to cinema projection and film handling, with no warranties nor obligations from the authors, for qualified field service engineers.

If you are not a qualified technician, please make no adjustments to anything you may read about in these Adobe manual downloads

www.film-tech.com

PARTS BOOK

and

PRICE LIST

for

MOTIOGRAPH PROJECTORS

Models "K", "HK", and "HU"

and

MOTIOGRAPH MIRROPHONIC SOUND REPRODUCERS

Model "MK"

MOTIOGRAPH, INC.

4431 West Lake Street

Chicago, Illinois

August 1, 1938

CONTENTS

	PAGE
How to Use the Parts Book	4
Ordering Information	4
Models "K" & "HK" Projector Mechanisms	6
Model "HU" Projector Mechanism	33
Models "K" & "HU" Upper Magazines	52
Model "K" Lower Magazine	55
Model "HU" Lower Magazine	58
Model "K" Projector Stand	61
Model "HU" Projector Stand	65
Model "MK" Mirrophonic Sound Reproducer	69
Lubricants	82

ILLUSTRATIONS

SUBJECT	PAGE
Motiograph Model "K" Projector Mechanism, Less Doors and Shutter, Operating Side View	6
Motiograph Model "K" Projector Mechanism, Less Doors, Top Plate, Movement and Shutter, Non-Operating Side View	7
Motiograph Model "K" Projector Mechanism, Less Doors and Shutter, Front View	8
Motiograph Model "K" Projector Mechanism, Less Doors and Shutter, Rear View	9
Motiograph Model "K" Projector Mechanism, Bottom View	10
Motiograph Models "K" and "HK" Projector Mechanisms, Top View	10
Motiograph Models "K" and "HK" Projector Mechanism Doors	11
Motiograph Models "K," "HK" and "HU" Projector Mechanism Tension Plate, Film Gate and Shutter	12

ILLUSTRATIONS (Continued)

SUBJECT	PAGE
Motiograph Models "K," "HK" and "HU" Projector Mechanism Tension Plate, Film Gate and Shutter	13
Motiograph Models "K," "HK" and "HU" Projector Mechanism Pilot Light and Intermittent Movement	14
Motiograph Model "HK" Projector Mechanism, Less Doors, Top Plate, Movement and Shutter, Operating Side View	15
Motiograph Model "HK" Projector Mechanism, Less Doors, Top Plate, Movement and Shutter, Non-Operating Side View	16
Motiograph Model "HU" Projector Mechanism Parts	33
Motiograph Model "HU" Projector Mechanism Parts	34
Motiograph Model "HU" Projector Mechanism Parts	35
Motiograph Model "HU" Projector Mechanism, Horizontal Shutter Parts	36
Motiograph Models "K" and "HU" Upper Magazines	52
Motiograph Model "K" Lower Magazine	55
Motiograph Model "HU" Lower Magazine	58
Motiograph Model "K" Projector Stand	61
Motiograph Model "HU" Projector Stand	65
Motiograph Model "MK" Mirrophonic Sound Reproducer, Operating Side View	69
Motiograph Model "MK" Mirrophonic Sound Reproducer, Operating Side View	70
Motiograph Model "MK" Mirrophonic Sound Reproducer, Less Flywheel, Drive Side View	71
Motiograph Model "MK" Mirrophonic Sound Reproducer Mechanism Drive	72
Motiograph Model "MK" Mirrophonic Sound Reproducer Motor and Flywheel	73
Motiograph Model "MK" Mirrophonic Sound Reproducer Coupling Unit	74

HOW TO USE THE PARTS BOOK

This book is arranged for the quick and convenient determination of part numbers by reference to illustrations which show the location of the part in the assembled machine. It is not necessary to know the designating name of the sub-assembly to locate individual parts.

The following procedure is recommended in using this book:

- (a) Turn to the numbered illustration in the front portion of each section describing a complete mechanism, magazine, or base.

- (b) Refer the pictured part number to the parts list which follows the pages of illustrations. These part numbers are arranged in numerical order.
- (c) Check the description of the part which is given opposite the number.

Because the differences between the Model "K" and the Model "HK" Projector Mechanisms occur chiefly in the gear drive assemblies, the list of parts for these machines has been combined for the sake of avoiding needless duplication. Therefore, many of the Model "HK" parts will be found in illustrations of the Model "K" machine.

ORDERING INFORMATION

Parts should be ordered from the authorized Motiograph distributor or dealer in the purchaser's territory. Motiograph distributors and dealers are usually able to supply parts from stock.

However, in isolated cases where conditions warrant it, we will fill orders for parts at current list prices, f.o.b. factory, provided the order is accompanied by cash.

Our responsibility ceases in all cases with delivery to the transportation company.

In placing orders directly with the factory, it is important to give the model and serial number of the machine for which the parts are intended. The serial number of the projector mechanism is located on the left side of the

sliding frame. The serial number of the sound reproducer is located on the top of the housing.

The order should also include an accurate description and the exact catalog number of the part desired. If this cannot be done, return the part to be replaced to us for identification. Be sure it is properly tagged with your name and address, and reference to your communication with the factory. Transportation charges must be prepaid.

The cost of handling and packing makes it necessary for us to establish a minimum order charge of 50 cents. All orders for parts totalling less than this amount will be charged for at the minimum rate.

IMPORTANT INFORMATION

Parts designated as "Installed at Factory Only" are sold only as required for factory repair work. These parts cannot be successfully installed in the field where special tools, machinery, or fixtures are not available. Where the replacement of such parts is necessary, either the complete assembly, or the mechanism itself, should be returned to the factory for repair.

A special department is maintained at the Motiograph plant in Chicago, Illinois, for the complete repair and reconditioning of mechanisms. This work is done by skilled craftsmen who employ factory jigs, fixtures and machinery in the various operations of fitting, checking and

adjusting new parts in used mechanisms. This is a service to Motiograph users, who are billed only for the actual parts replaced and for the labor of installing them. Further details on this service will be found on the back cover of this book.

Adaptation Parts Groups which permit the use of Motiograph Projector Mechanisms, Stands, Magazines, and Motiograph Mirrophonic Sound Reproducers in conjunction with component apparatus units of contemporary manufacture are available. Complete information on these parts may be obtained from authorized Motiograph distributors and dealers.

INTERMITTENT MOVEMENT PARTS

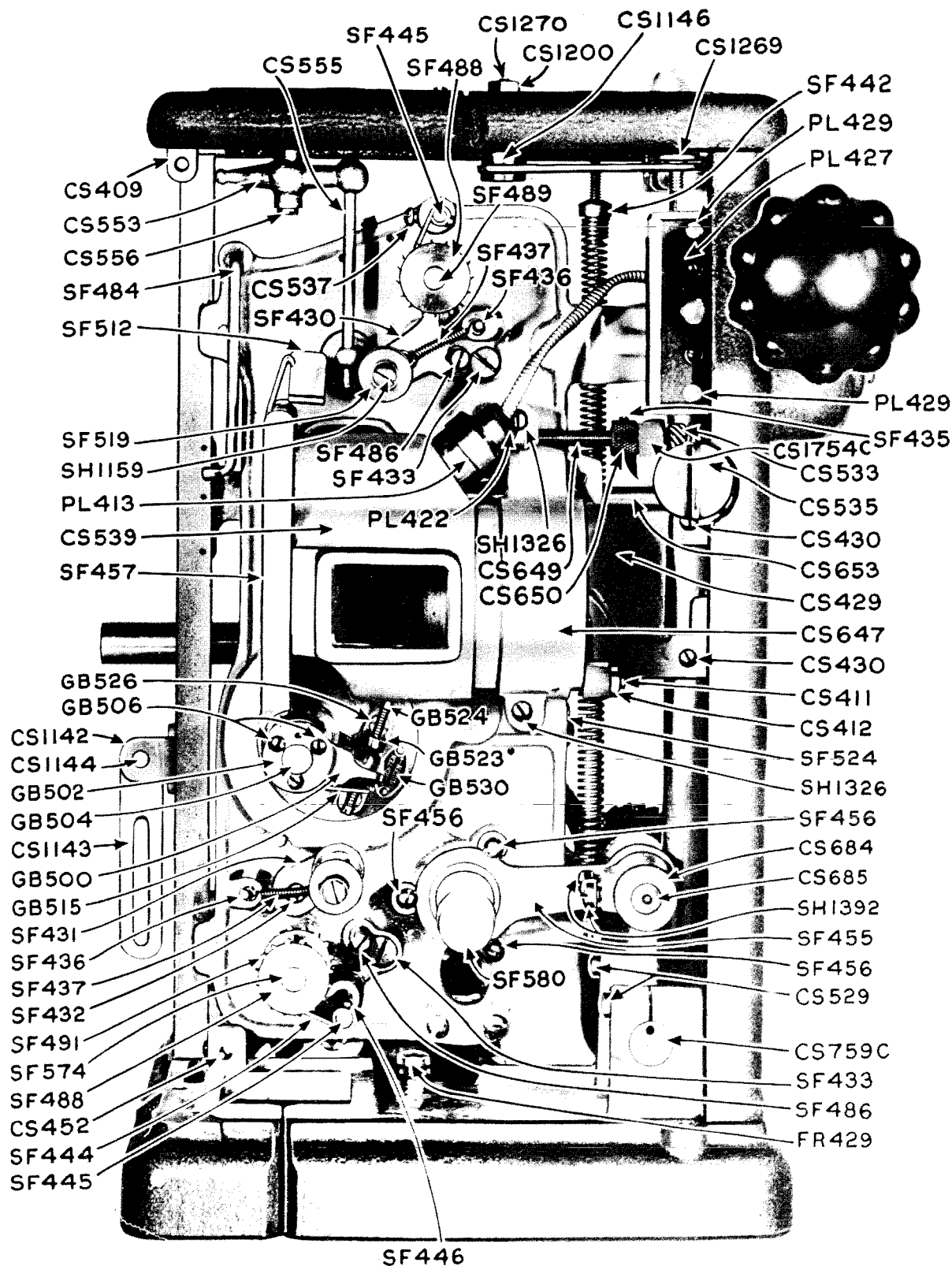
The GB-503 Intermittent Star is approximately 1-3/64 inches in diameter, and is intended for use only with the GB-507-1 Intermittent Cam. Intermittent Movements using this parts combination should be lubricated with Motiograph Intermittent Movement Lubricant No. 1.

The GB-558 Intermittent Star is approximately 1-5/64 inches in diameter and should be used only in conjunction with the GB-507-2 Intermittent Cam. Intermittent Movements using this parts combination should be lubricated with

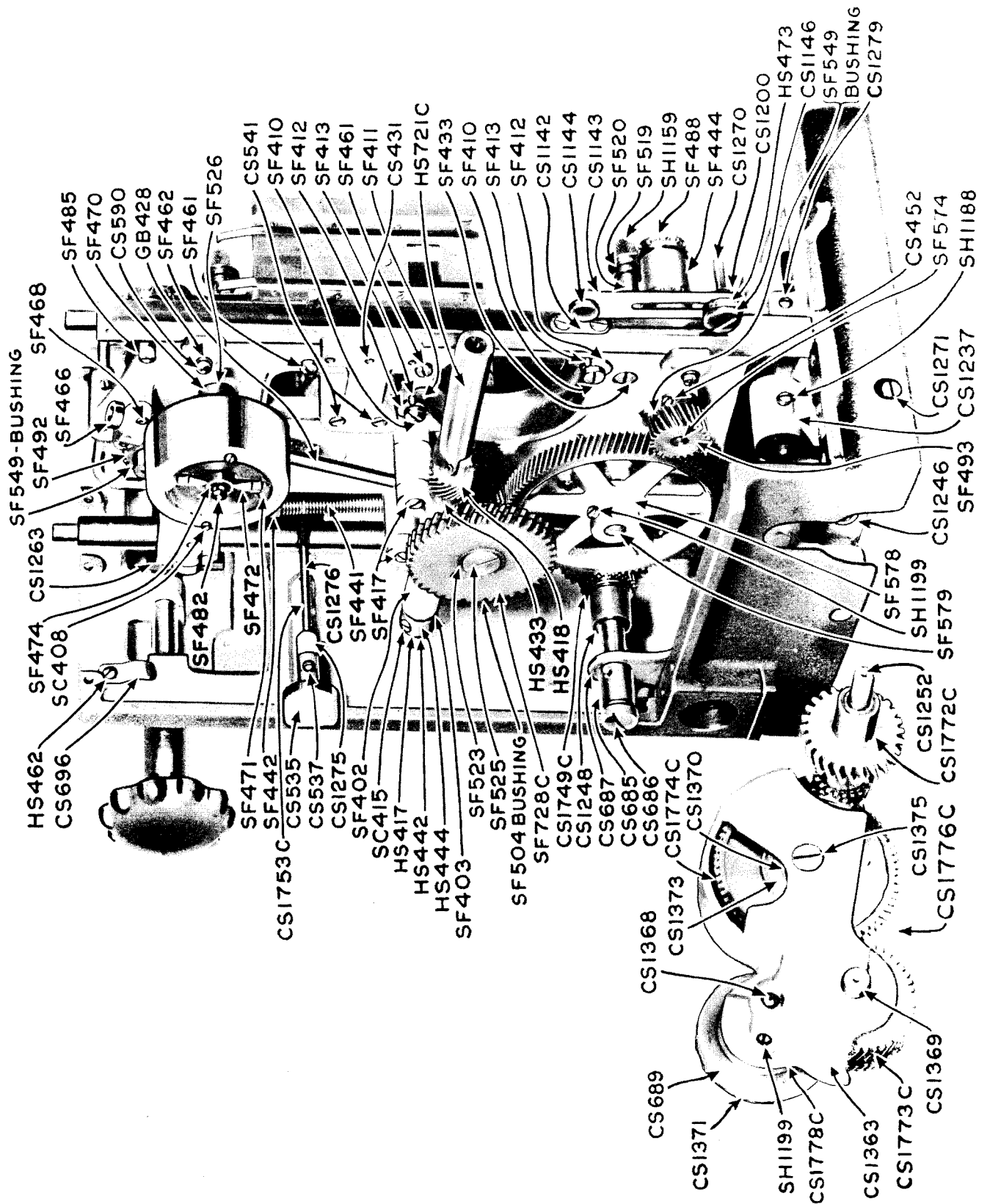
Motiograph Intermittent Movement Lubricant No. 1.

The GB-560 Intermittent Star is approximately 1-5/64 inches in diameter and may be used in conjunction with either the GB-507-2 Intermittent Cam, or the GB-559 Intermittent Cam. It is recommended, however, that it be used with the GB-559 Intermittent Cam since Intermittent Movements employing this combination are lubricated with Motiograph Intermittent Movement Lubricant No. 2.

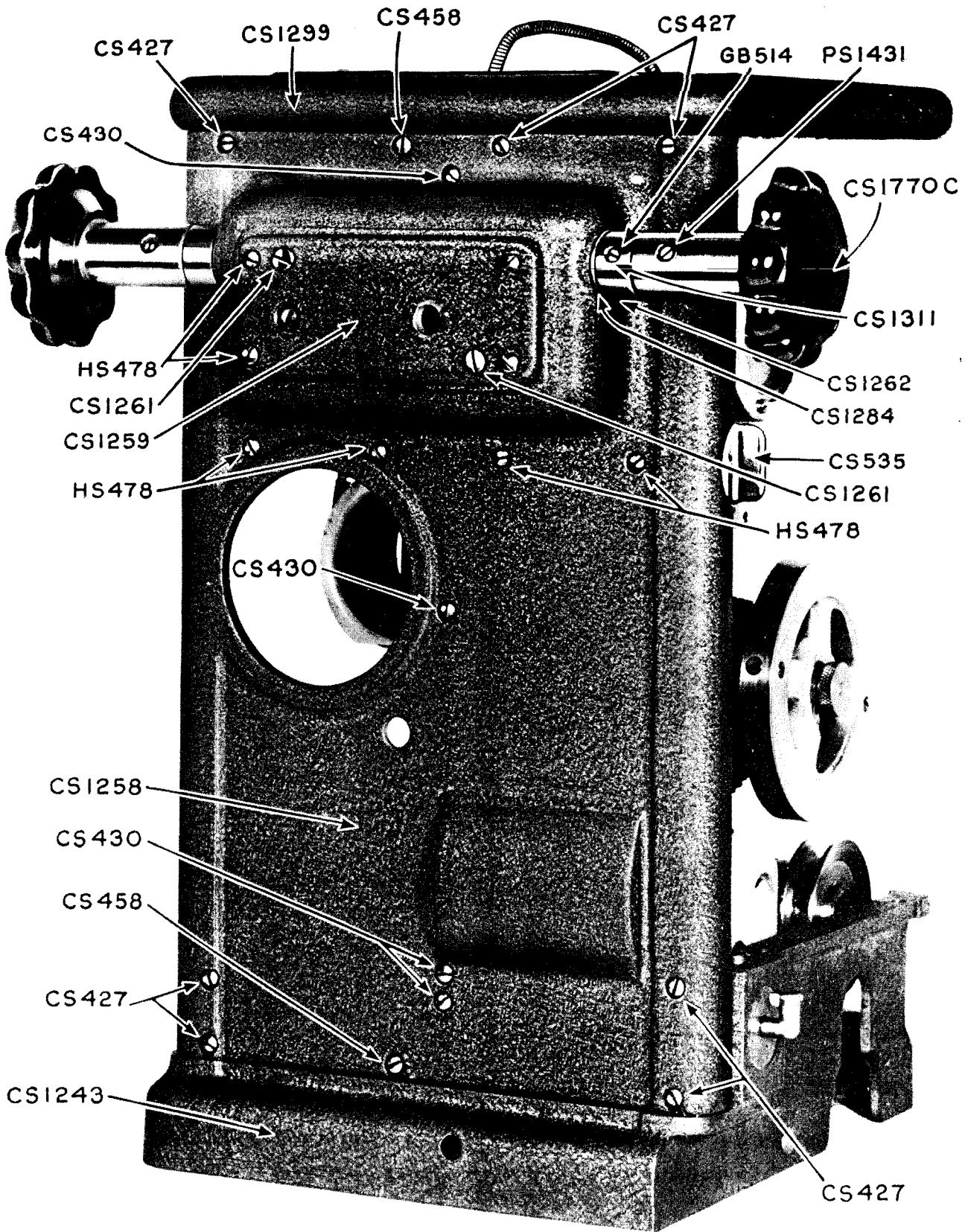
MODELS "K" & "HK" PROJECTOR MECHANISMS



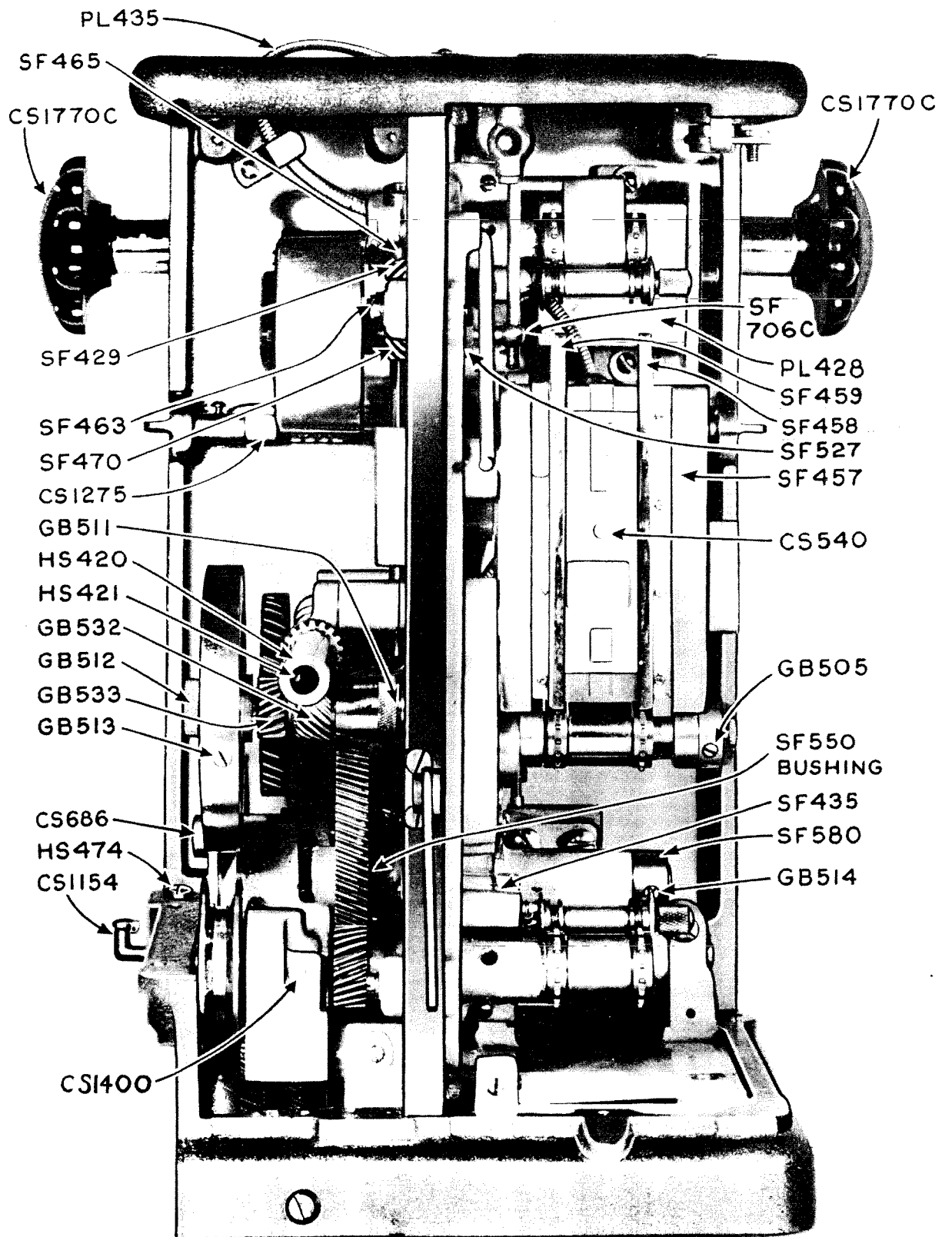
MOTIOGRAPH MODEL "K" PROJECTOR MECHANISM
 Less Doors and Shutter
 Operating Side View



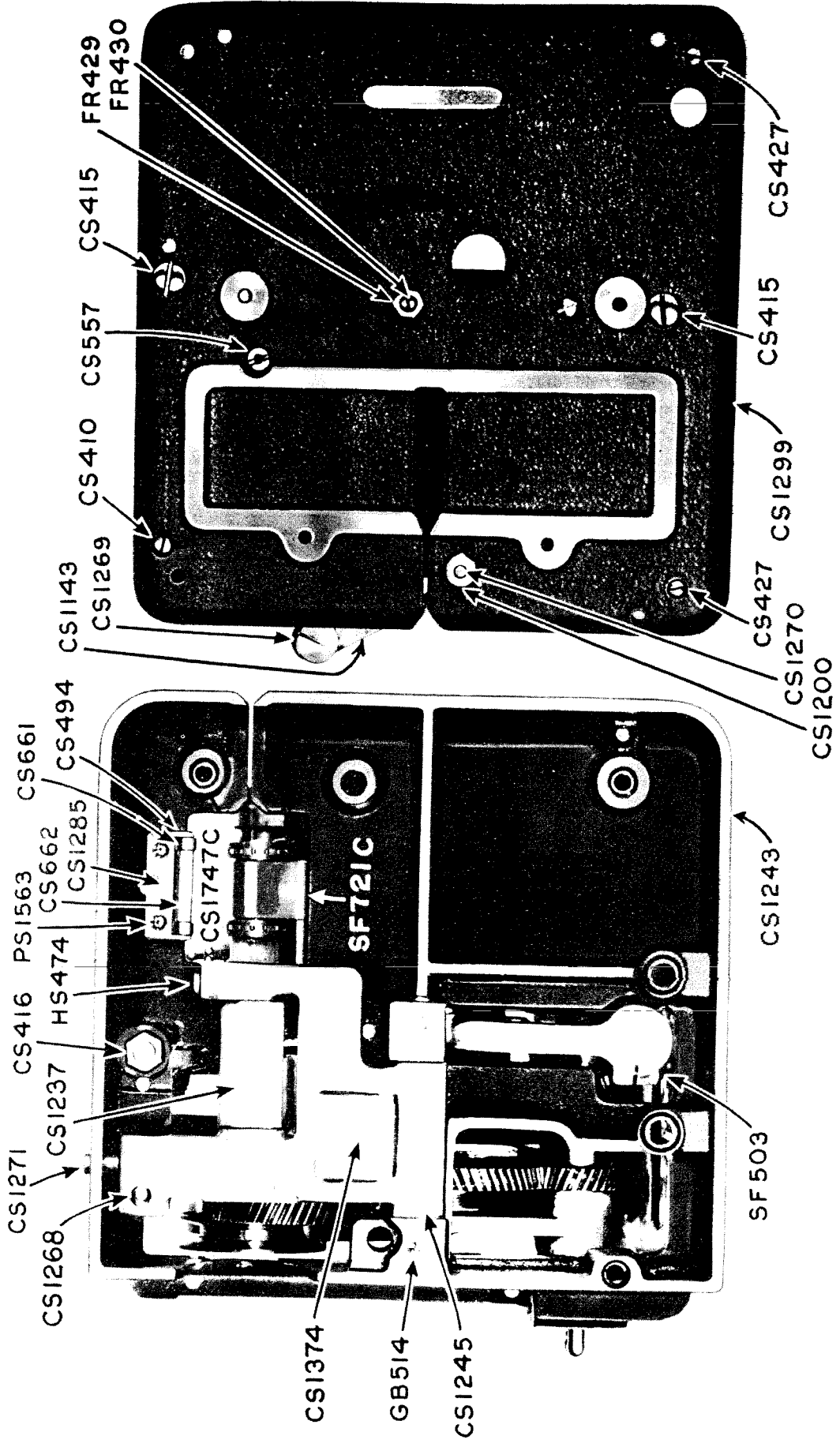
MOTIOGRAPH MODEL "K" PROJECTOR MECHANISM
Less Doors, Top Plate, Movement and Shutter
Non-operating Side View



MOTIOGRAPH MODEL "K" PROJECTOR MECHANISM
 Less Doors and Shutter
 Front View

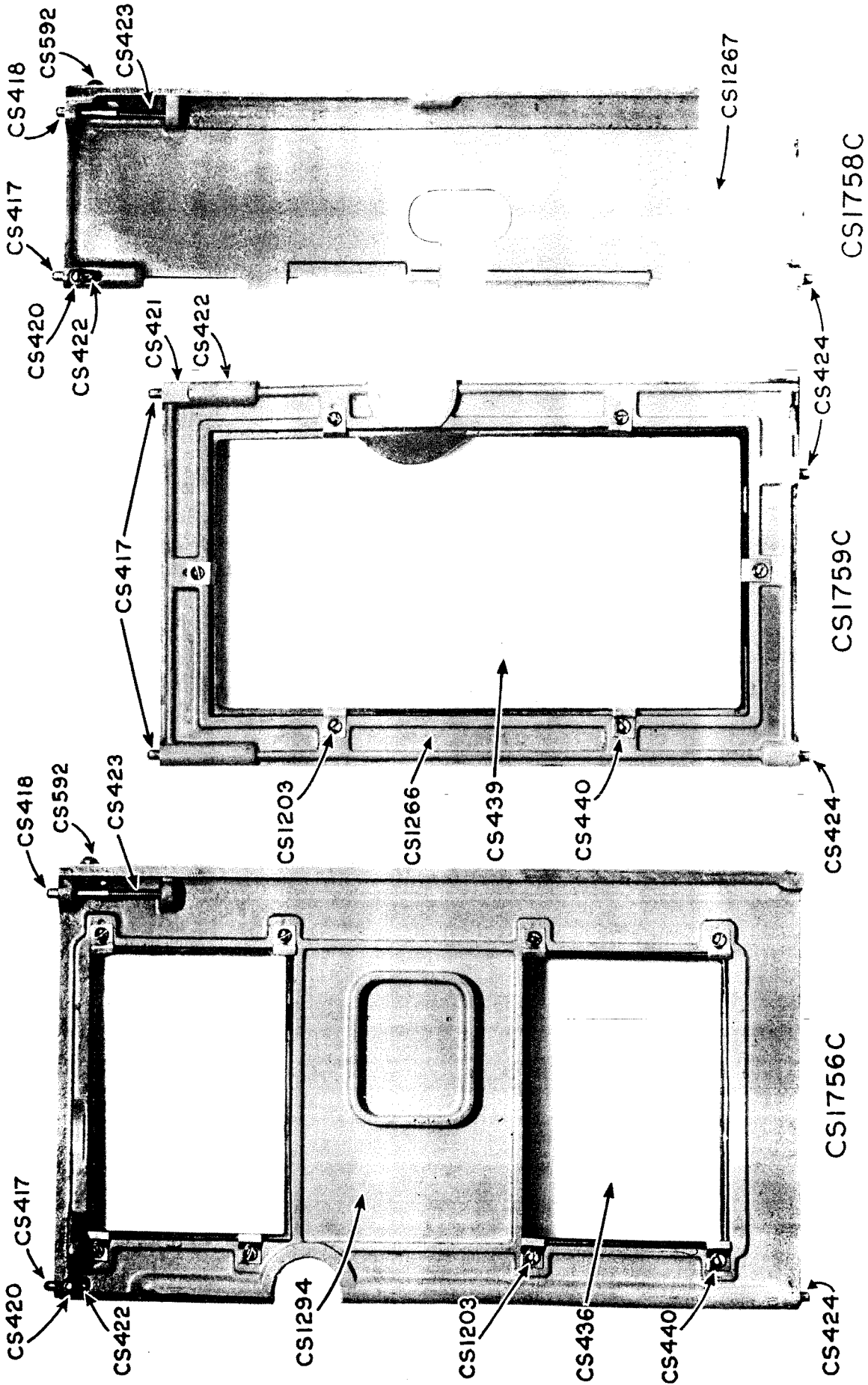


MOTIOGRAPH MODEL "K" PROJECTOR MECHANISM
 Less Doors and Shutter
 Rear View

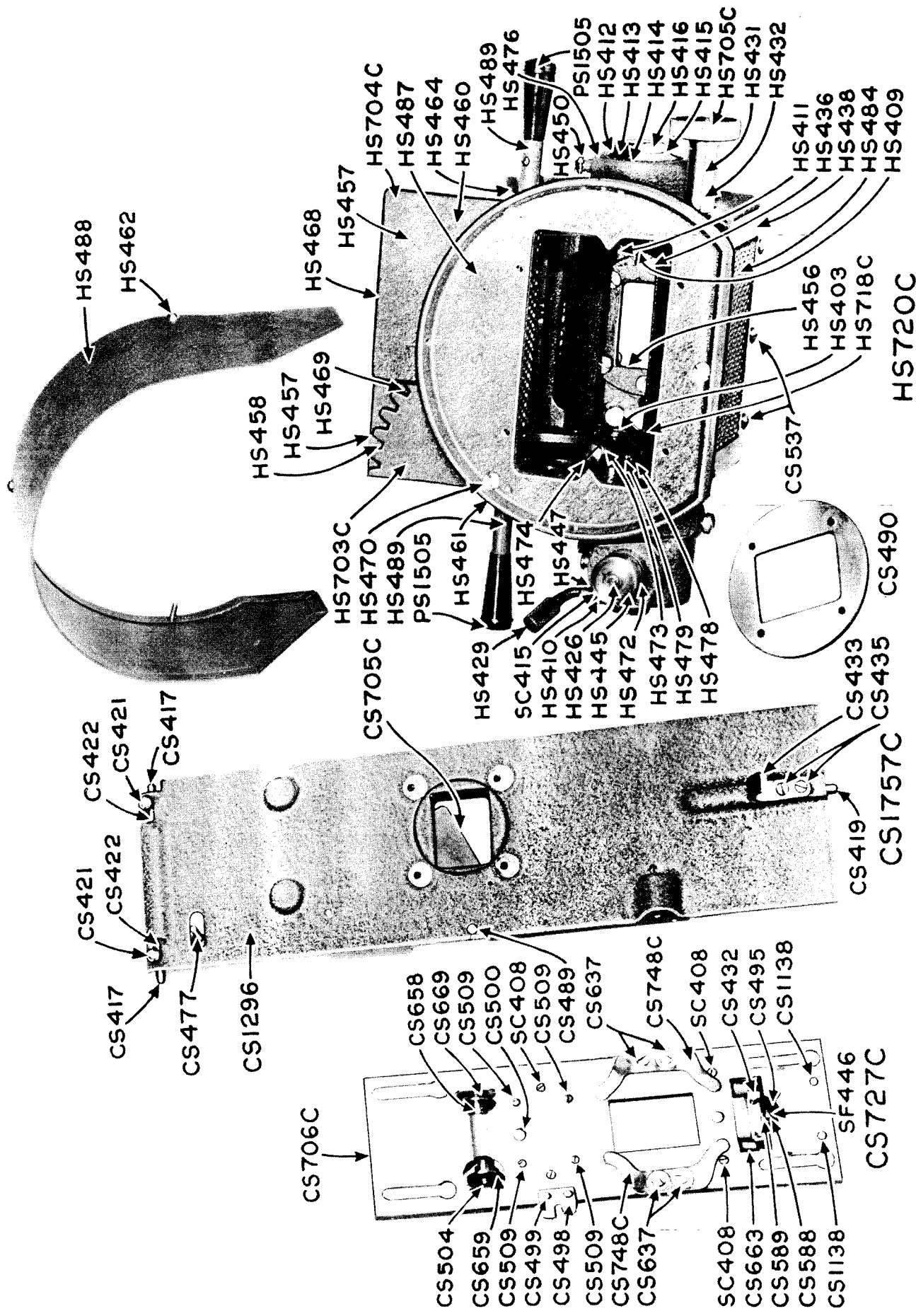


MOTIOGRAPH MODELS "K" & "HK"
 PROJECTOR MECHANISMS
 Top View

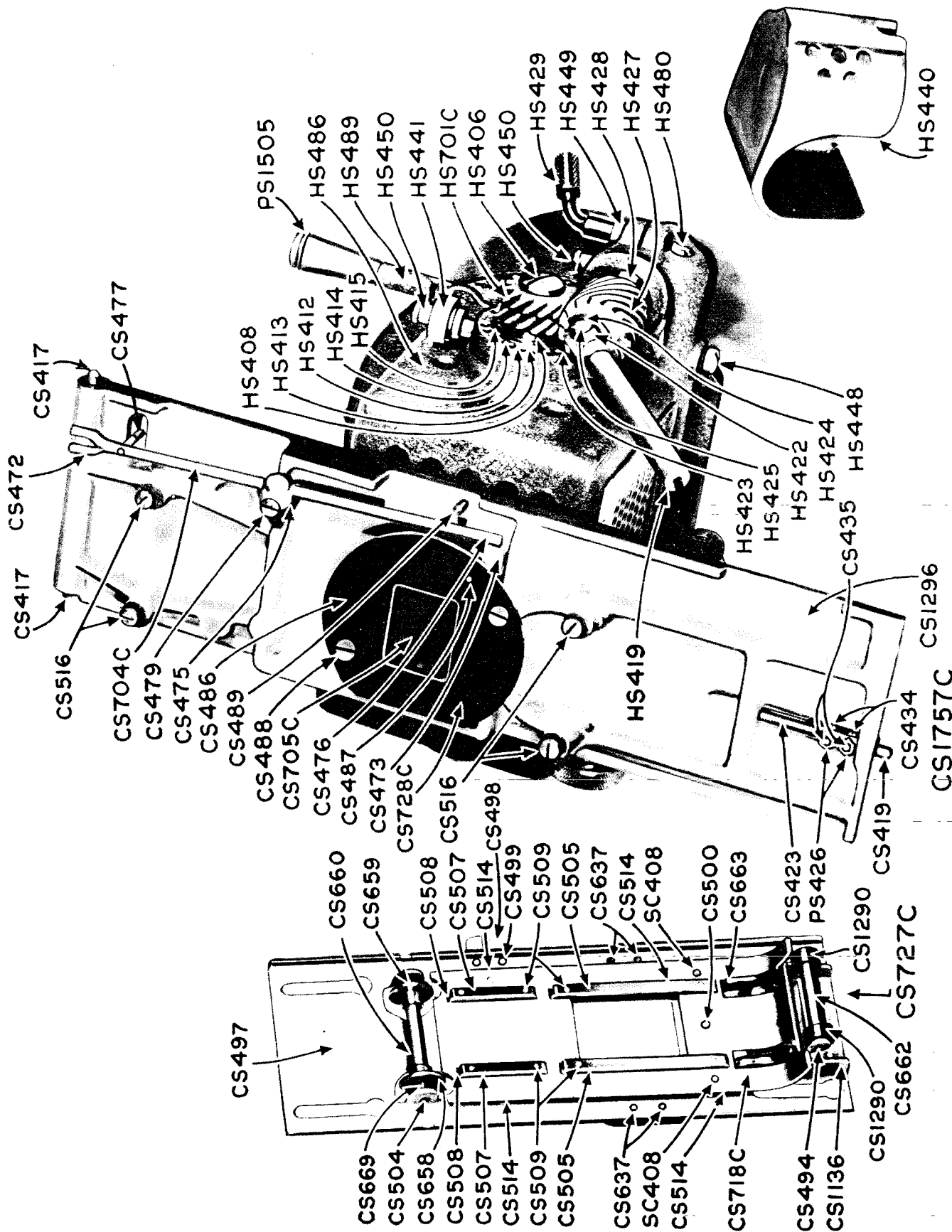
MOTIOGRAPH MODEL "K"
 PROJECTOR MECHANISM
 Bottom View



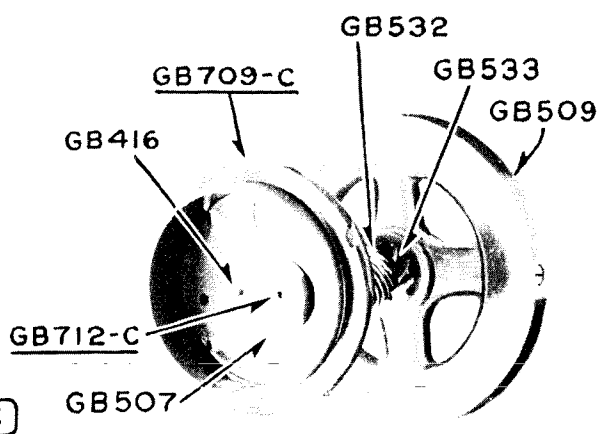
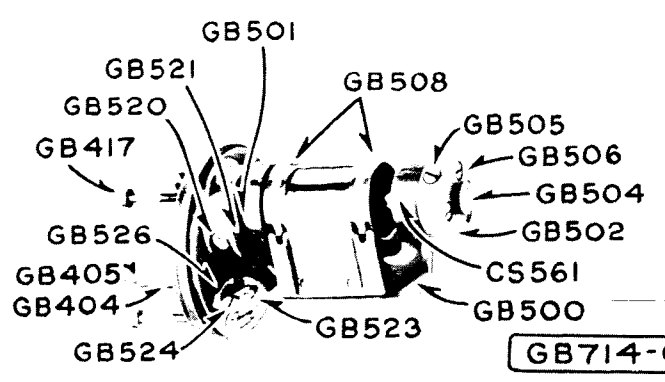
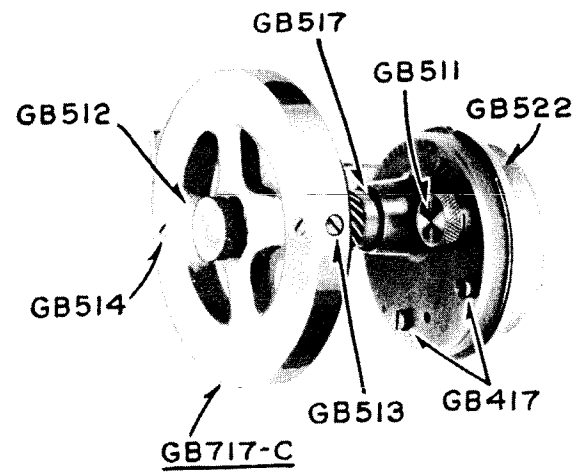
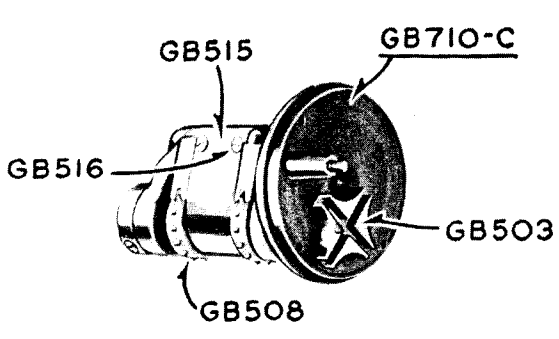
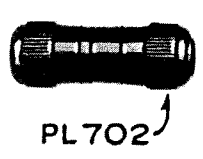
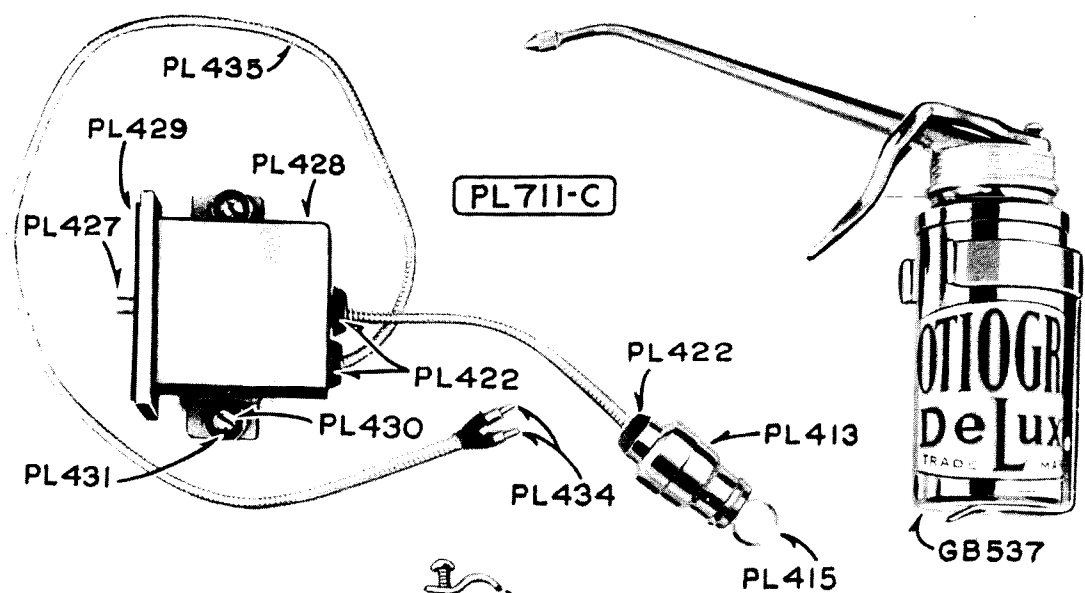
MOTIOGRAPH MODELS "K" & "HK" PROJECTOR MECHANISM DOORS



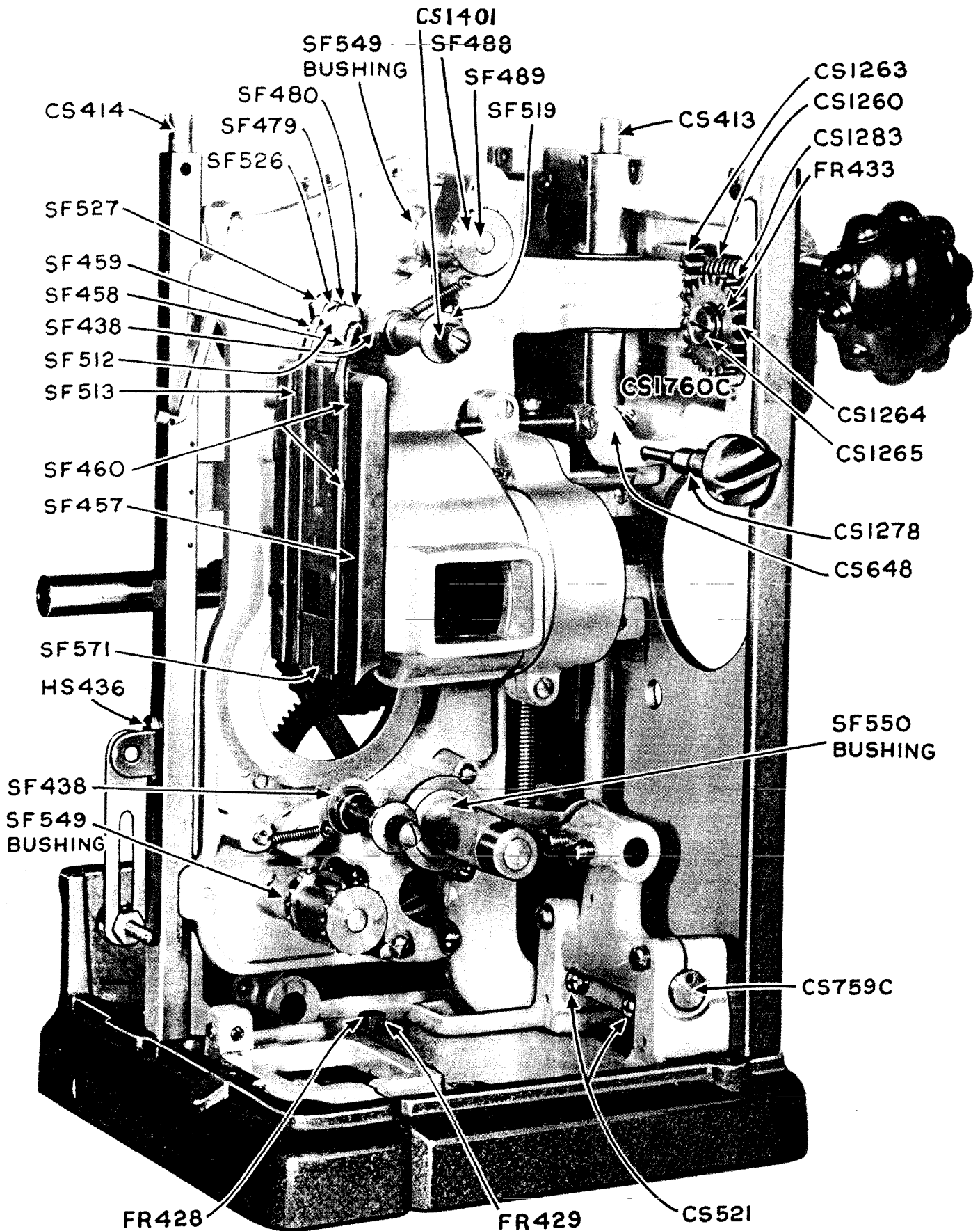
MOTIOPHOTOGRAPHERS "K", "HK" & "HU" PROJECTOR
 MECHANISM TENSION PLATE, FILM GATE AND SHUTTER



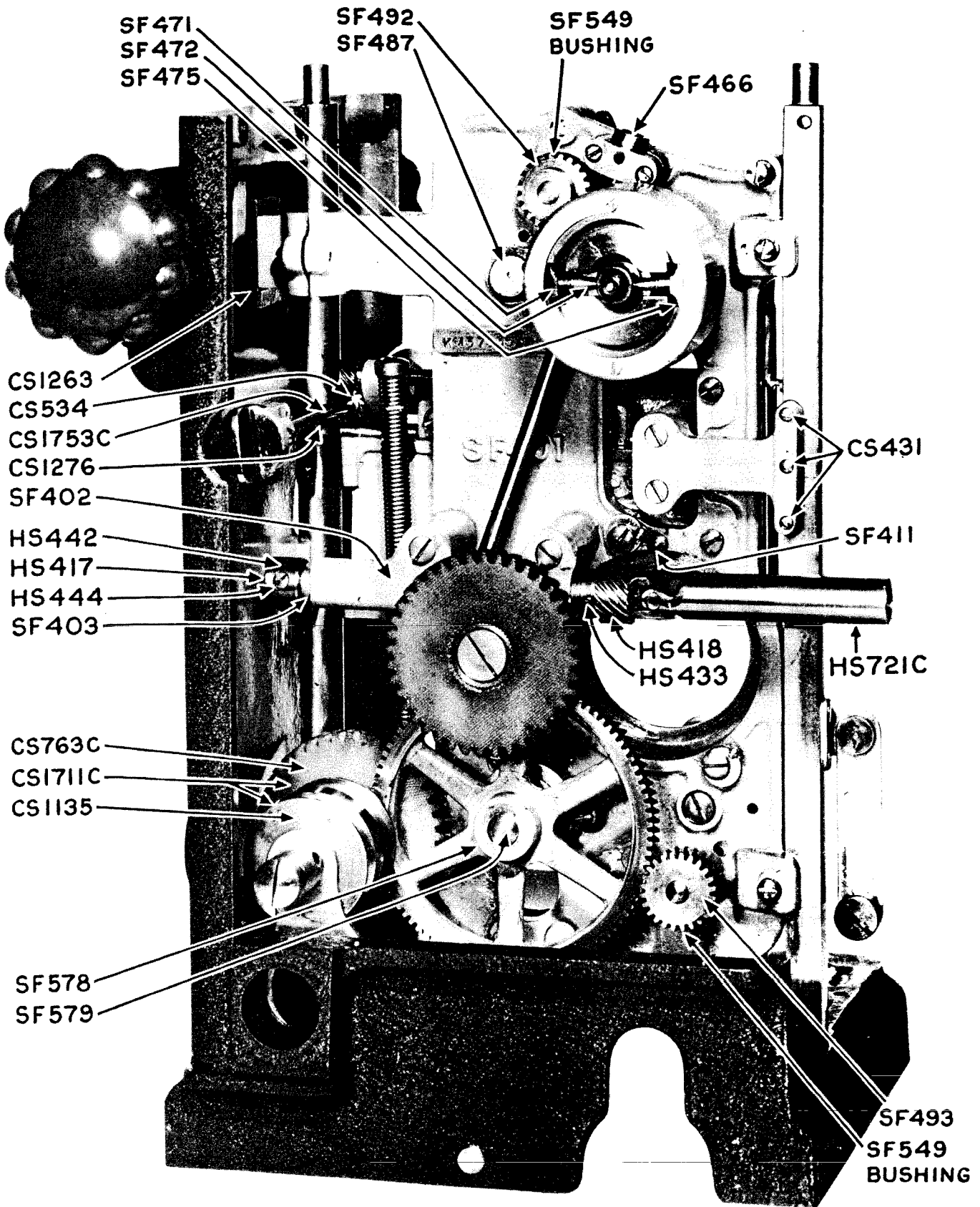
MOTIOPH MODEL "K", "HK" & "HU" PROJECTOR
MECHANISM TENSION PLATE, FILM GATE AND SHUTTER



MOTIOGRAPH MODELS "K", "HK" & "HU" PROJECTOR MECHANISM
 PILOT LIGHT AND INTERMITTENT MOVEMENT



MOTIGRAPH MODEL "HK" PROJECTOR MECHANISM
 Less Doors, Top Plate, Movement and Shutter
 Operating Side View



MOTIOGRAPH MODEL "HK" PROJECTOR MECHANISM
 Less Doors, Top Plate, Movement and Shutter
 Non-operating Side View

MODELS "K" & "HK" PROJECTOR MECHANISMS

PART NO.	DESCRIPTION	ILLUSTRATION PAGE NO.	UNIT LIST PRICE
CS-409	Hinge Stud	6	\$ 1.00
CS-410	Hinge Stud Screw	10	.10
CS-411	Guide Stud	6	.15
CS-412	Nut for Guide Stud	6	.10
CS-413	Round Tie Rod	15	3.25
CS-414	Square Tie Rod	15	3.25
CS-415	Screw for Tie Rod Top	10	.25
CS-416	Square Tie Rod Nut	10	.10
CS-417	Door Latch Pin (short)	11 - 12 - 13	.20
CS-418	Door Latch Pin (long)	11	.25
CS-419	Film Gate Latch Pin	12 - 13	.40
CS-420	Door Latch Knob (small)	11	.15
CS-421	Door Latch Knob (medium)	11 - 12	.15
CS-422	Door Latch Spring (short)	11 - 12	.10
CS-423	Door Latch Spring (long)	11	.10
CS-424	Door Hinge Pin	11	.10
CS-427	Screw to attach Front Plate to Top Plate.	8 - 10	.10
CS-429	Cross Bracket	6	4.00
CS-430	Screw for Round Tie Rod	6 - 8	.10
CS-431	Screw for Square Tie Rod	7 - 16	.10
CS-432	Stop Pin for Intermittent Tension Shoe	12	.10
CS-433	Film Gate Latch Finger Hook	12	.50
CS-434	Film Gate Latch Finger Hook Collar	13	.10
CS-435	Screw for Finger Hook	12 - 13	.10
CS-436	Door Glass (right side)	11	.50
CS-439	Door Glass (left side)	11	.40
CS-440	Glass Retaining Clip	11	.05
CS-452	Set Screw for Collar	6	.05
CS-458	Front Plate Dowel Screw	8	.35
CS-472	Fire Shutter Rack Lever (see CS-704-C)	13	****
CS-473	Fire Shutter Rack (see CS-704-C)	13	****
CS-475	Rack Lever Bearing (see CS-704-C)	13	****
CS-476	Rack Lever Bearing Rivet (see CS-704-C)	13	****
CS-477	Automatic Shutter Finger Stud	13 - 12	.35

*Used only in Model "K" Mechanism
 **Used only in Model "HK" Mechanism

***Not illustrated
 ****Not sold separately

MODELS "K" & "HK" PROJECTOR MECHANISMS (Continued)

PART NO.	DESCRIPTION	ILLUSTRATION PAGE NO.	UNIT LIST PRICE
CS-479	Rack Lever Bearing Screw	13	.20
CS-480	Fire Shutter Plate (gear side) (see CS-705-C)	***	****
CS-481	Fire Shutter Pinion (see CS-705-C)	***	****
CS-482	Fire Shutter Shaft (see CS-705-C)	***	****
CS-483	Fire Shutter Plate (collar side) (see CS-705-C)	***	****
CS-484	Fire Shutter Collar (see CS-705-C)	***	****
CS-485	Fire Shutter Rivet (see CS-705-C)	***	****
CS-486	Inner Heat Shield (see CS-728-C)	13	****
CS-487	Fire Shutter Stop Stud (see CS-728-C)	13	****
CS-488	Screw for Heat Shield	13	.05
CS-489	Stop Stud for Fire Shutter	12 - 13	.10
CS-490	Outer Heat Shield	12	.60
CS-491	Screw for Outer Heat Shield	***	.05
CS-492	Film Tension Plate (see CS-718-C)	***	****
CS-494	Tension Plate Roller Shaft	10 - 13	.15
CS-495	Intermittent Sprocket Shoe Spring	12	.15
CS-497	Gate Slide (see CS-706-C)	13	****
CS-498	Gate Slide Clip (see CS-706-C)	12 - 13	****
CS-499	Gate Slide Clip Rivet (see CS-706-C)	12 - 13	****
CS-500	Gate Slide Locating Stud (see CS-706-C)	12 - 13	****
CS-504	Guide Roller Shaft	12	.15
CS-505	Tension Shoe (long)	13	1.00
CS-507	Tension Shoe (short)	13	.90
CS-508	Tension Spring (short)	13	.20
CS-509	Screw for Tension Shoe	12 - 13	.10
CS-514	Gate Slide & Tension Plate Collar	13	.10
CS-516	Gate Slide Screw	13	.10
CS-521	Screw to clamp CS-684 Toggle Casting	15	.10
CS-529	Screw to clamp CS-759-C Toggle Bushing	6	.10
CS-533	Focusing Bracket Pinion (see CS-708-C)	6	1.50
CS-534	Pin for CS-533 Pinion (see CS-708-C)	16	.10
CS-535	Focusing Thumb Knob	6 - 7 - 8	1.50

*Used only in Model "K" Mechanism
 **Used only in Model "HK" Mechanism

***Not illustrated
 ****Not sold separately

MODELS "K" & "HK" PROJECTOR MECHANISMS (Continued)

PART NO.	DESCRIPTION	ILLUSTRATION PAGE NO.	UNIT LIST PRICE
CS-537	Screw for Focusing Knob	7	.10
CS-538	Screw for Focusing Bracket	***	.10
CS-539	Rear Lens Barrel	6	6.25
CS-540	Stud for Rear Lens Barrel	9	.20
CS-541	Screw to attach Lens Barrel to Bracket	7	.25
CS-553	Fire Shutter Pivot Lever (see CS-712-C)	6	****
CS-555	Fire Shutter Pivot Lever Rod (see CS-712-C)	6	****
CS-556	Lever Screw Shaft	6	.30
CS-557	Nut for Lever	10	.20
CS-561	Ball for Adjusting Pin & Star Shaft	14	.05
CS-587	Rear Lens Barrel Stop Screw	34	.10
CS-588	Intermittent Shoe Spring Collar	12	.10
CS-589	Intermittent Shoe Spring Washer	12	.10
CS-590	Screw to attach Front Plate to Base	***	.10
CS-592	Door Latch Knob (large)	11	.25
CS-634	Tension Spring (see CS-748-C)	***	****
CS-635	Tension Spring Bushing (see CS-748-C)	***	****
CS-636	Tension Spring Washer (see CS-748-C)	***	****
CS-637	Tension Spring Screw	12 - 13	.15
CS-642	Oil Drain Tube	***	.15
CS-647	Front Lens Barrel	6	8.00
CS-648	Front Lens Focusing Bracket	15	2.00
CS-649	Focusing Screw Shaft (see CS-758-C)	6	.35
CS-650	Focusing Screw Shaft Collar	6	.40
CS-651	Screw for Collar (same as SF-435)	6	.10
CS-653	Front Lens Barrel Support Rod	6	.75
CS-658	Film Guide Roller (spring end)	13 - 12	1.00
CS-659	Film Guide Roller (plain end)	13 - 12	1.00
CS-660	Film Roller Spacer	13	.40
CS-661	Guide Roller	10	.50
CS-662	Guide Roller Spacer	10 - 13	.25
CS-663	Tension Shoe for Intermittent Sprocket	13 - 12	2.00
CS-664	Adjusting Screw for Lens Barrel Guide Rod	34	.10

*Used only in Model "K" Mechanism
 **Used only in Model "HK" Mechanism

***Not illustrated
 ****Not sold separately

MODELS "K" & "HK" PROJECTOR MECHANISMS (Continued)

PART NO.	DESCRIPTION	ILLUSTRATION PAGE NO.	UNIT LIST PRICE
CS-665	Lock Screw for Adjusting Screw (same as SF-435)	6	.10
CS-666	Adjusting Screw for Screw Shaft	34	.10
CS-667	Adjusting Screw for Adjusting Rod	34	.10
CS-669	Spring for Guide Roller	13 - 12	.10
CS-678	Steel Toggle Bushing (see CS-759-C)	***	****
CS-679	Bronze Bushing for Steel Toggle Bushing (see CS-759-C)	***	****
CS-681	** Toggle Pinion (one piece) (see CS-763-AC)	34	****
CS-684	Toggle Casting	6	5.00
CS-685	Toggle Shaft	6 - 7	5.00
CS-686	Shoulder Screw for Toggle Shaft	9 - 7	.35
CS-687	Toggle Link (large)	7	.90
CS-689	Set Screw for Take-Up Pulley	34	.25
CS-696	Clamp for Pilot Lamp Lead	7	.10
<u>Assembled Units</u>			
CS-704-C	Fire Shutter Rack Lever & Bearing	13	3.50
CS-705-C	Automatic Fire Shutter	13 - 12	2.50
CS-706-C	Gate Slide Clip & Stud	12	3.75
CS-712-C	Fire Shutter Lever	33	2.00
CS-718-C	Tension Plate & Stud	13	2.50
CS-727-C	Gate Slide & Tension Plate	13 - 12	20.00
CS-728-C	Metal Heat Shield & Stop Stud	13	1.00
CS-734-C	Rear Lens Barrel & Stud	34	10.00
CS-737-C	Cross Bracket & Stud	34	5.00
CS-748-C	Tension Spring, Bushing & Washer	12 - 34	.70
CS-756-C	Front Lens Barrel (complete)	34	10.00
CS-757-C	Front Lens Focusing Bracket (complete)	34	11.00
CS-758-C	Screw Shaft, Pinion & Collar	34	2.25
CS-759-C	Toggle Bushing	6 - 15	3.00
CS-763-AC	** Linen Bakelite Toggle Gear & One-Piece Pinion	16 - 34	9.50
CS-776-C	Rollers & Spacers for Tension Plate	***	1.25
CS-777-C	Rollers, Spacers & Springs for Film Guide Roller	***	2.50

*Used only in Model "K" Mechanism
**Used only in Model "HK" Mechanism

***Not illustrated
****Not sold separately

MODELS "K" & "HK" PROJECTOR MECHANISMS (Continued)

PART NO.	DESCRIPTION	ILLUSTRATION PAGE NO.	UNIT LIST PRICE
CS-1100	** Mechanism Drive Shaft	34	6.50
CS-1101	** Mechanism Drive Shaft Bushing	34	4.50
CS-1102	** Fifteen-Tooth Sprocket	34	4.50
CS-1133	** Oil Cup for Take-Up Pulley	34	.15
CS-1135	** Take-Up Pulley	16 - 34	5.00
CS-1136	Film Tension Plate Support	13	1.00
CS-1138	Rivet for Tension Plate Support	12	.05
CS-1142	Stop Plate Hinge	6 - 7	.40
CS-1143	Stop Arm	6 - 7 - 10	.35
CS-1144	Stop Plate Bearing Stud	6 - 7	.15
CS-1146	Stop Plate Friction Washer	7	.20
CS-1154	* Oil Cup	9	.35
CS-1155	Screw to attach Mechanism to Plate & Sound Reproducer	35	.35
CS-1193	** Retaining Screw for Mechanism Drive Bushing	35	.15
CS-1200	Nut for Stop Screw	7 - 10	.05
CS-1202	Set Screw for Stop Stud	***	.10
CS-1203	Screw for CS-440 Retaining Clip	11	.05
CS-1237	* Universal Drive Toggle Casting	7 - 10	4.00
CS-1238	* Support Casting (chain drive only)	***	6.00
CS-1243	Mechanism Base	8 - 10	32.00
CS-1244	Mechanism Plate	69	12.50
CS-1245	* Pivot Shaft for Toggle Casting Support	10	.60
CS-1246	* Sleeve for Toggle Casting	7	3.50
CS-1247	* Pulley for Narrow Chain Gear & Sprocket (narrow chain drive)	***	3.50
CS-1248	Spacer Washer for Toggle Shaft	7	.30
CS-1249	* Gear & Sprocket for Narrow Chain	***	10.00
CS-1250	* Shaft for Gear & Sprocket (narrow & wide chain drive)	***	3.00
CS-1251	* Gear & Sprocket for CS-1252 Narrow Chain Shaft	***	13.00
CS-1252	* Drive Shaft for CS-1772-C Gear	7	8.50
CS-1256	* Chain (narrow)	***	6.00
CS-1258	Front Plate	8	22.50

*Used only in Model "K" Mechanism
**Used only in Model "HK" Mechanism

***Not illustrated
****Not sold separately

MODELS "K" & "HK" PROJECTOR MECHANISMS (Continued)

PART NO.	DESCRIPTION	ILLUSTRATION PAGE NO.	UNIT LIST PRICE
CS-1259	Framer Cover Plate	8	3.25
CS-1260	Front Plate Framer Shaft	15	5.00
CS-1261	Framer Cover Plate Dowel Screw	8	.20
CS-1262	Framer Shaft Collar	8	.75
CS-1263	Rack for Shifting Frame	7 - 15 - 16	1.50
CS-1264	Pinion for Rack	15	1.25
CS-1265	Screw Shaft for Pinion	15	1.50
CS-1266	Door for Mechanism (left side)	11	8.00
CS-1267	Door for Mechanism (left side, rear)	11	6.00
CS-1268	* Pivot Lug for Support Bracket	10	.40
CS-1269	* Pivot Screw for Stop Link	6 - 10	.30
CS-1270	Stop Screw for Link	7 - 10	.40
CS-1271	* Lock Screw for Toggle Bushing Shaft	7 - 10	.25
CS-1273	* Adjusting Screw for Toggle Support Casting	***	.30
CS-1275	Rear Bracket for Dual Focusing Device	9	1.50
CS-1276	Shaft for Dual Focusing Bracket	7 - 16	.40
CS-1278	Spacer Washer for Dual Focusing Shaft	15	.10
CS-1279	* Headless Stop Screw for CS-1374 Adjusting Bracket	7	.10
CS-1283	Framer Worm Gear & Hub	15	2.00
CS-1284	Thrust Washer for CS-1262 Collar	8	.30
CS-1285	Film Guide Roller Bracket	10	.80
CS-1286	Screw for Bracket (same as PS-1563)	10	.05
CS-1290	Film Tension Plate Roller	13	.40
CS-1292	Screw to attach CS-1263 Rack to SF-573 Shifting Frame (same as HS-478)	36	.05
CS-1294	Door (right side) (see CS-1756-C)	11	12.00
CS-1295	* Name Plate for Door	***	.25
CS-1296	Film Gate (see CS-1757-C)	12 - 13	12.00
CS-1297	Dowel Pin for CS-1264 Pinion & CS-1283 Worm Gear	***	.05
CS-1299	Top Plate	8 - 10	15.00
CS-1302	Round Take-Up Belt	***	1.25
CS-1303	Screw to lock CS-1262 Collar (same as GB-514)	8	.10
CS-1304	Screw to lock CS-1279 Screw (same as CS-452)	7	.05

*Used only in Model "K" Mechanism
**Used only in Model "HK" Mechanism

***Not illustrated
****Not sold separately

MODELS "K" & "HK" PROJECTOR MECHANISMS (Continued)

PART NO.	DESCRIPTION	ILLUSTRATION PAGE NO.	UNIT LIST PRICE
CS-1305	Screw for CS-1237 Casting (same as SH-1188)	7	.10
CS-1309	Screw to attach Front Plate to Mechanism Base (long) (same as CS-427)	8	.10
CS-1310	Screw to attach Front Plate to Mechanism Base (short) (same as CS-430)	8	.10
CS-1311	Brass Slug for CS-1262 Collar	8	.05
CS-1312	Screw to mount CS-1259 Cover Plate (same as HS-478)	8	.05
CS-1343	* Set Screw for Take-Up Pulley (chain drive)	***	.25
CS-1344	* Chain (wide)	***	8.00
CS-1354	* One-Piece Pinion for Toggle Gear (see CS-1749-C)	***	4.00
CS-1363	* Gear Bracket	7	9.00
CS-1364	* Gear for CS-1252 Shaft (see CS-1772-C)	***	5.50
CS-1365	* Intermediate Gear for Bracket (see CS-1774-C)	***	7.50
CS-1366	* Drive Gear (see CS-1773-C)	***	****
CS-1368	* Shaft for Take-Up Pulley	7	2.00
CS-1369	* Shaft for CS-1366 Gear	7	2.50
CS-1370	* Shaft for CS-1365 Gear	7	1.75
CS-1371	* Take-Up Pulley	7	2.50
CS-1373	* Ball Race for Drive Gears	7	4.00
CS-1374	* Support Bracket for Gear Drive	10	6.00
CS-1375	* Lock Screw for CS-1370 Shaft	7	.10
CS-1376	Set Screw for CS-1363 Bracket (same as SH-1199)	7	.10
CS-1400	*Taper Set Screw	9	.20
CS-1401	Handle Screw for Tension Pad	15 - 33	.25
CS-1402	Guide Roller Shaft	33	.55
<u>Assembled Units</u>			
CS-1711-C	** Bakelite Toggle Gear, Pinion & Pulley	16 - 34	13.50
CS-1720-C	Stop Plate & Screw (complete)	34	2.00
CS-1747-C	Film Guide Roller & Bracket	10	2.00
CS-1749-C	* Bakelite Toggle Gear & Pinion	7	7.50
CS-1750-C	* Gear Sprocket for CS-1237 Casting (narrow chain)	***	6.00
CS-1751-C	* Gear & Sprocket for CS-1252 Shaft (narrow chain)	***	7.50
CS-1753-C	Dual Focusing Shaft & Pinion	7 - 16	2.25
CS-1754-C	Front Lens Dual Focusing Bracket	6	12.50
CS-1756-C	Door (right side)	11	17.50

*Used only in Model "K" Mechanism
 **Used only in Model "HK" Mechanism

***Not illustrated
 ****Not sold separately

MODELS "K" & "HK" PROJECTOR MECHANISMS (Continued)

PART NO.	DESCRIPTION	ILLUSTRATION PAGE NO.	UNIT LIST PRICE
CS-1757-C	Film Gate (complete)	12 - 13	27.50
CS-1758-C	Door (left side, rear)	11	9.50
CS-1759-C	Door (left side)	11	11.00
CS-1760-C	Front Mounting Frame Worm Gear & Pinion	15	4.50
CS-1762-C	Cover Plate, Worm Wheel & Pinion	***	10.00
CS-1766-C	* Gear, Chain Sprocket & Bushing (wide chain)	***	12.00
CS-1768-C	* Gear, Chain Sprocket (integral) & Bushing (wide chain)	***	10.00
CS-1770-C	Composition Knob & Hub for Framing Device	8 - 9	2.00
CS-1772-C	* Gear & Bushing for Gear Drive Shaft	7	8.50
CS-1773-C	* Gear & Ball Race for Gear Drive	7	12.00
CS-1774-C	* Intermediate Gear & Ball Race	7	12.00
CS-1776-C	* Gear Drive Bracket, Gears & Shafts	7	75.00
CS-1778-C	* Bakelite Gear & Bronze Hub for Pulley	7	3.00
FR-428	Lower Stop Screw for Framing Device	15	.15
FR-429	Hexagon Nut for Stop Screw	10 - 15	.10
FR-430	Upper Stop Screw for Framing Device	10	.15
FR-433	Dowel Pin	15	.05
FR-445	Screw for Bearing Bracket	***	.15
GB-404	Stud for Intermittent Movement Case	14	.15
GB-405	Dowel Pin for Intermittent Movement Case Cover	14	.10
GB-412	Taper Pin for Star Shaft & Sprocket	***	.10
GB-416	Cam Pin	14	1.00
GB-417	Screw for Intermittent Movement Case	14	.15
GB-500	Double Bearing Bracket for Star Shaft	6 - 14	10.00
GB-501	Main Bushing for Star Shaft	14	3.50
GB-502	Bearing Bushing for Star Shaft	6 - 14	4.00
GB-503	Intermittent Star Note: In ordering, be sure to give the Intermittent Movement serial number. See page 5 for more detailed information.	14	18.25
GB-504	End Thrust Adjusting Pin	6 - 14	1.50
GB-505	Adjusting Pin Set Screw	9 - 14	.10
GB-506	Screw for Bearing Bushing	14	.15
GB-507-1	Intermittent Cam Note: In ordering, be sure to give the Intermittent Movement serial number. See page 5 for more detailed information.	14	11.25

*Used only in Model "K" Mechanism
**Used only in Model "HK" Mechanism

***Not illustrated

MODELS "K" & "HK" PROJECTOR MECHANISMS (Continued)

PART NO.	DESCRIPTION	ILLUSTRATION PAGE NO.	UNIT LIST PRICE
GE-507-2	Intermittent Cam Note: In ordering, be sure to give the Intermittent Movement serial number. See page 5 for more detailed information.	14	11.25
GB-508	Intermittent Sprocket	14	9.75
GB-509	Double Bearing Balance Wheel	14	6.50
GB-511	Grease Plug	9 - 14	.50
GB-512	Retaining Screw for Balance Wheel	9 - 14	.50
GB-513	Set Screw for Balance Wheel	9 - 14	.25
GB-514	Lock Screw for Set Screw	8 - 9 - 10 - 14	.15
GB-515	Stripper Plate	14	1.25
GB-516	Screw for Stripper Plate	14	.10
GB-517	Cam Shaft Bushing	14	3.00
GB-518	Cover for Double Bearing Intermittent Movement Case (see GB-710-C)	***	7.00
GB-520	Lock Screw for Double Bearing Bracket	14	.15
GB-521	Brass Plug for Lock Screw	14	.10
GB-522	Intermittent Movement Case	14	10.00
GB-523	Adjusting Bracket	6 - 14	3.00
GB-524	Adjusting Bracket Screw	6 - 14	.20
GB-526	Screw to attach Adjusting Bracket to Cover	6 - 14	.10
GB-528	Drive Screw for Direction Plate	***	.05
GB-530	Adjustment Direction Plate	6	.20
GB-532	Balance Wheel Pinion (fine-tooth)	9 - 14	5.00
GB-533	Balance Wheel Pinion (heavy-duty)	9 - 14	2.00
GB-537	Grease Injector	14	2.00
GB-558	Intermittent Star Note: In ordering, be sure to give the Intermittent Movement serial number. See page 5 for more detailed information.	***	15.90
GB-559	Intermittent Cam Note: In ordering, be sure to give the Intermittent Movement serial number. See page 5 for more detailed information.	***	11.25
GB-560	Intermittent Star Note: In ordering, be sure to give the Intermittent Movement serial number. See page 5 for more detailed information.	***	15.90
<u>Assembled Units</u>			
GB-709-C	Intermittent Movement Case & Bushing	14	13.50

*Used only in Model "K" Mechanism
**Used only in Model "HK" Mechanism

***Not illustrated
****Not sold separately

MODELS "K" & "HK" PROJECTOR MECHANISMS (Continued)

PART NO.	DESCRIPTION	ILLUSTRATION PAGE NO.	UNIT LIST PRICE
GB-710-C	Intermittent Movement Case Cover & Locating Pin	14	7.50
GB-712-C	Cam Shaft & Pin	14	12.25
GB-714-C	Double Bearing Intermittent Movement	14	125.00
GB-717-C	Balance Wheel & Pinion	14	18.50
####			
HS-401	Horizontal Shutter (see HS-718-C)	***	10.00
HS-403	Shaft for Shutter Pinion Adjustment	12	6.00
HS-406	Lock Screw for HS-403 Shaft	13	.25
HS-408	Cap (left side)	13	1.75
HS-409	Screw Shaft for Shutter Alignment	12	2.00
HS-410	Copper Plug for Shutter	12	.05
HS-411	Shaft Lock Screw for Shutter	12	.15
HS-412	Ball Bearing in Housing	12 - 13	2.50
HS-413	Retainer for Felt Washer	12 - 13	.50
HS-414	Retainer Cover for Felt Washer	12 - 13	.50
HS-415	Felt Washer	12 - 13	.10
HS-416	Cap (right side)	12	1.50
HS-417	Shutter Drive Shaft (see HS-702-C)	7 - 16	2.00
HS-418	Pinion for Shutter Drive Shaft (see HS-702-C)	7 - 16	5.00
HS-419	Telescope Shaft (see HS-708-C)	13	7.00
HS-420	Telescope Shaft Retainer (see HS-708-C)	9	7.00
HS-421	Key for Retainer (see HS-708-C)	9	1.25
HS-422	Universal Block	13	1.50
HS-423	Universal Block Pin (large)	13	.70
HS-424	Universal Block Pin (small)	13	.40
HS-425	Universal Block Pin Spring	13	.10
HS-426	Shaft for Shutter Adjustment	12	2.00
HS-427	Pinion for Shutter Adjustment	13	7.00
HS-428	Rack Bushing for Shutter Adjustment (replaced by HS-490 & HS-491)	13	5.00
HS-429	Lock Handle	13 - 12	1.00
HS-431	Knob for Gear Shaft (see HS-705-C)	12	1.25
HS-432	Pin for Knob	12	.05

45-1

*Used only in Model "K" Mechanism
 **Used only in Model "HK" Mechanism

***Not illustrated
 ****Not sold separately

MODELS "K" & "HK" PROJECTOR MECHANISMS (Continued)

PART NO.	DESCRIPTION	ILLUSTRATION PAGE NO.	UNIT LIST PRICE
HS-433	Taper Pin for HS-418 & HS-427 Pinions	16	.05
HS-436	Screw to attach Heat Shield to Housing	12 - 15	.05
HS-438	Bezel for Perforated Steel Screen	12	.60
HS-439	Screw for Bezel (same as CS-537)	12	.10
HS-440	Pinion Cover	13	2.00
HS-441	Thumb Screw for Pinion Cover	13	.75
HS-442	Lock Collar for HS-417 Shaft	7 - 16	1.00
HS-443	Screw for Lock Collar (same as SC-415)	7	.10
HS-444	Copper Plug for HS-442 Collar	7 - 16	.05
HS-445	Lock Collar for HS-426 Shaft	12	1.50
HS-446	Screw for Lock Collar (same as SC-415)	12	.10
HS-447	Copper Plug for HS-445 Collar	12 - 38	.05
HS-448	Retaining Screw for HS-403 Shaft	13	.20
HS-449	Collar for Lock Handle	13	.20
HS-450	Oil Cup	13 - 12	.40
HS-456	Heat Shield in Housing	12	1.50
HS-457	Dowser Plate (see HS-703-C & HS-704-C)	12	****
HS-458	Dowser Segment (right side) (see HS-703-C)	12	****
HS-460	Rivet to attach Support to Dowser Plate (see HS-703-C & HS-704-C)	12	****
HS-461	Steel Washer to equalize Dowser	12	.20
HS-464	Dowser Stop Spring	12	.30
HS-465	Screw to attach Spring	***	.10
HS-468	Dowser Segment (left side) (see HS-704-C)	12	****
HS-469	Rivet to attach Segment to Plate (see HS-703-C & HS-704-C)	12	****
HS-470	Screw to attach Heat Shield to Housing	12	.05
HS-471	Nut for Heat Shield Screw	38	.05
HS-472	Fibre Washer for HS-426 Shaft	12	.10
HS-473	Lock Washer	12	.10
HS-474	Screw to lock Shutter on HS-403 Shaft	9 - 10 - 12	.25
HS-476	Tension Washer for HS-409 Shaft	38	.20
HS-478	Screw to lock HS-474 & HS-411 Screws	8 - 12	.05
HS-479	Copper Plug for Shutter	12	.05

*Used only in Model "K" Mechanism
 **Used only in Model "HK" Mechanism

***Not illustrated
 ****Not sold separately

MODELS "K" & "HK" PROJECTOR MECHANISMS (Continued)

PART NO.	DESCRIPTION	ILLUSTRATION PAGE NO.	UNIT LIST PRICE
HS-480	Shutter Timing Gear Shaft (see HS-705-C)	13	2.00
HS-481	Bushing for Shutter (see HS-718-C)	***	****
HS-483	Screw to attach Light Shield (same as HS-462)	12	.05
HS-484	Perforated Steel Screen	12	.40
HS-485	Handle for Dowser (red) (same as PS-1505)	12 - 13	.25
HS-486	Shutter Housing	13	35.00
HS-487	Heat Shield	12	5.00
HS-488	Light Shield	12	2.50
HS-489	Dowser Post for Handle (see HS-703-C & HS-704-C)	12 - 13	****
HS-490	Steel Shutter Timing Sleeve for (HS-491 Eccentric Bushing)	***	3.75
HS-491	Eccentric Bronze Bushing for HS-490 Steel Sleeve. Note: Must be used in conjunc- tion with HS-490 Sleeve to replace HS-428 Bushing.	***	2.00
HS-492	Ball Bearing for HS-486 Housing	***	2.50
HS-494	Light Shield (1½" wide)	***	2.50
<u>Assembled Units</u>			
HS-701-C	Bakelite Pinion & Hub	13	5.50
HS-702-C	Drive Shaft Pinion & Bearing	36	17.50
HS-703-C	Shutter Dowser Segment & Handle (right side)	12 - 36	4.00
HS-704-C	Shutter Dowser Segment & Handle (left side)	12 - 36	4.00
HS-705-C	Shutter Timing Knob & Gear Shaft	12	4.50
HS-706-C	Shutter Adjusting Shaft, Bushing, Pinion & Telescope Shaft	36	30.00
HS-708-C	Telescope Shaft Retainer & Key	36	17.50
HS-713-C	Drive Shaft & Pinion	***	7.00
HS-714-C	Shutter Shaft, Bearing & Retainer	***	9.60
HS-715-C	Screw Shaft, Bearing & Retainer	***	6.30
HS-718-C	Horizontal Shutter & Bushing	12	17.50
HS-720-C	Horizontal Shutter, Housing, Shaft & Pinions	12	100.00
HS-721-C	Retainer & Key	7 - 16	9.00
###			
PL-413	Lamp Socket	14	1.25
PL-415	Pilot Lamp	14	.30

*Used only in Model "K" Mechanism
**Used only in Model "HK" Mechanism

***Not illustrated
****Not sold separately

MODELS "K" & "HK" PROJECTOR MECHANISMS (Continued)

PART NO.	DESCRIPTION	ILLUSTRATION PAGE NO.	UNIT LIST PRICE
PL-422	Composition Bushing	14	.05
PL-423	Copper Terminal	***	.05
PL-427	Pilot Lamp Switch	14	2.00
PL-428	Pilot Lamp Housing	9 - 14	3.50
PL-429	Screw to attach Switch to Housing	14	.05
PL-430	Screw to attach Housing to Front Plate	14	.05
PL-431	Washer for PL-430 Screw	14	.05
PL-434	Terminal for Wire Lead	14	.10
PL-435	Armored Cable	9 - 14	.50
PL-436	Candelabra to Miniature Lamp Adapter	***	.50
<u>Assembled Units</u>			
PL-702-C	Connection Plug	14	1.00
PL-711-C	Pilot Lamp Switch & Housing	14	10.00
###			
PS-426	Hexagon Nut for CS-435 Screw	13	.05
PS-1431	Allan Set Screw for CS-1770-C Handle	8	.15
###			
SC-408	Screw for Governor Case & Tension Plate	7 - 12 - 13	.10
SF-402	Bearing Bracket for Shutter Drive Shaft	7 - 16	3.50
SF-403	Bearing Bracket Bushing	7 - 16	.50
SF-410	Screw to clamp Intermittent Movement Case	7	.15
SF-411	Stud to locate Intermittent Movement Case	7 - 16	.20
SF-412	Clamp for Intermittent Movement Case	7	.10
SF-413	Clamp Pin for Intermittent Movement Case	7	.10
SF-417	Screw for Shutter Drive Bearing	7	.15
SF-429	Lower & Upper Pinion for Diagonal Shaft	9	1.75
SF-430	Upper Roller Bracket	6	1.75
SF-431	Lower Roller Bracket	6	1.75
SF-432	Roller Bracket Shaft	6	.35
SF-433	Screw for Upper & Lower Roller Bracket Shaft	6 - 7	.15
SF-435	Set Screw for Upper & Lower Roller Bracket Shaft	9	.10
SF-436	Stud for Roller Bracket Spring	6	.10
SF-437	Spring for Roller Bracket	6	.15
SF-438	Film Roller Shaft	15	.30
SF-441	Balance Spring	7	.25
SF-442	Screw Bushing for end of Spring	6	.50

*Used only in Model "K" Mechanism
 **Used only in Model "HK" Mechanism

***Not illustrated
 ****Not sold separately

MODELS "K" & "HK" PROJECTOR MECHANISMS (Continued)

PART NO.	DESCRIPTION	ILLUSTRATION PAGE NO.	UNIT LIST PRICE
SF-443	Screw for adjusting Spring	33	.05
SF-444	Stripper Plate	6 - 7	.30
SF-445	Stripper Plate Shaft	6	.35
SF-446	Screw for Stripper Plate Shaft	33	.05
SF-455	Toggle Link	6	.60
SF-456	Screw for Toggle Link	6	.05
SF-457	Track Support	9 - 15	7.00
SF-458	Track (right side)	9 - 15	1.75
SF-459	Track (left side)	9 - 15	1.75
SF-460	Screw for Tracks	15	.10
SF-461	Screw to attach Track Support to Frame	7	.25
SF-462	Diagonal Shaft	7	.80
SF-463	Pinion for Diagonal Shaft (large)	9	2.50
SF-465	Taper Pin for Diagonal Shaft Pinions	9	.10
SF-466	Lower Diagonal Shaft Bushing	7 - 16	.75
SF-469	Governor Support Collar (see SF-724-C)	***	****
SF-470	Governor Pinion (see SF-724-C)	9 - 7	****
SF-471	Governor Weight	7 - 16	2.50
SF-472	Governor Weight Ball Stud	7 - 16	.20
SF-474	Governor Weight Collar	7	.50
SF-475	Governor Weight Pivot Pin	16	.10
SF-476	Governor Weight Spring	33	.15
SF-477	Governor Case (see SF-724-C)	***	****
SF-478	Governor Case Screw (same as SC-408)	7	.10
SF-479	Pull Shaft for Governor (see SF-706-C)	15	.15
SF-480	Ball for end of Pull Shaft (see SF-706-C)	15	.25
SF-481	Rivet for Ball (see SF-706-C)	***	.05
SF-482	Nut for end of Pull Shaft	7	.10
SF-484	Gate Slide Link	6	.75
SF-485	Gate Slide Link Nut	7	.20
SF-486	Stop for Eccentric Roller Bracket	6	.35
SF-487	Lock Stud for Eccentric Stop	16	.35
SF-488	Feed & Take-Up Sprocket	6 - 7 - 15	6.00
SF-489	Feed Sprocket Shaft	6 - 15	1.25

*Used only in Model "K" Mechanism
 **Used only in Model "HK" Mechanism

***Not illustrated
 ****Not sold separately

MODELS "K" & "HK" PROJECTOR MECHANISMS (Continued)

PART NO.	DESCRIPTION	ILLUSTRATION PAGE NO.	UNIT LIST PRICE
SF-491	Screw for Feed & Take-Up Sprocket	6	.10
SF-492	Feed Sprocket Pinion	16 - 33	2.50
SF-493	Take-Up Sprocket Pinion	7 - 16 - 33	2.75
SF-494	Screw for Sprocket Pinion (same as CS-452)	7	.10
SF-502	Friction Screw (short)	33	.05
SF-503	Friction Screw	10	.05
SF-504	Diagonal Shaft Flange Bushing	7	.90
SF-507	Clamping Screw for Sliding Frame	33	.05
SF-512	Film Guide	6 - 15	.25
SF-513	Film Guide Screw	15	.25
SF-519	Film Roller	6 - 7 - 15	.80
SF-520	Film Roller Spacer	7	.35
SF-523	Shaft for One-Piece Pinion	7	3.75
SF-524	Lock Screw for Shaft	6	.25
SF-525	Screw to retain Double Gear	7	.35
SF-526	Governor Shaft	7 - 15	3.50
SF-527	Governor Shaft Nut	9 - 15	.35
SF-549	Upper & Lower Sprocket Shaft Bushing	15 - 16 - 33	.50
SF-550	Main Shaft Bushing	9 - 15 - 33	.75
SF-571	Proportional Aperture Plate (round Corner)	15	2.00
SF-572	Proportional Aperture Plate (special square Corner type)	***	2.00
SF-574	Take-Up Shaft	6	1.50
SF-578	Main Gear	7 - 16	11.00
SF-579	Main Shaft	7 - 16	1.50
SF-580	Collar for Main Shaft	9 - 6	.40
<u>Assembled Units</u>			
SF-701-C	Bearing Bracket & Bushings for Shutter Drive	36	6.50
SF-705-C	Diagonal Shaft & Pinions	33	8.50
SF-706-C	Automatic Shutter Governor Pull Shaft & Ball	9 - 33	1.50
SF-708-C	Automatic Shutter Governor (complete)	33	22.50

*Used only in Model "K" Mechanism
 **Used only in Model "HK" Mechanism

***Not illustrated
 ****Not sold separately

MODELS "K" & "HK" PROJECTOR MECHANISMS (Continued)

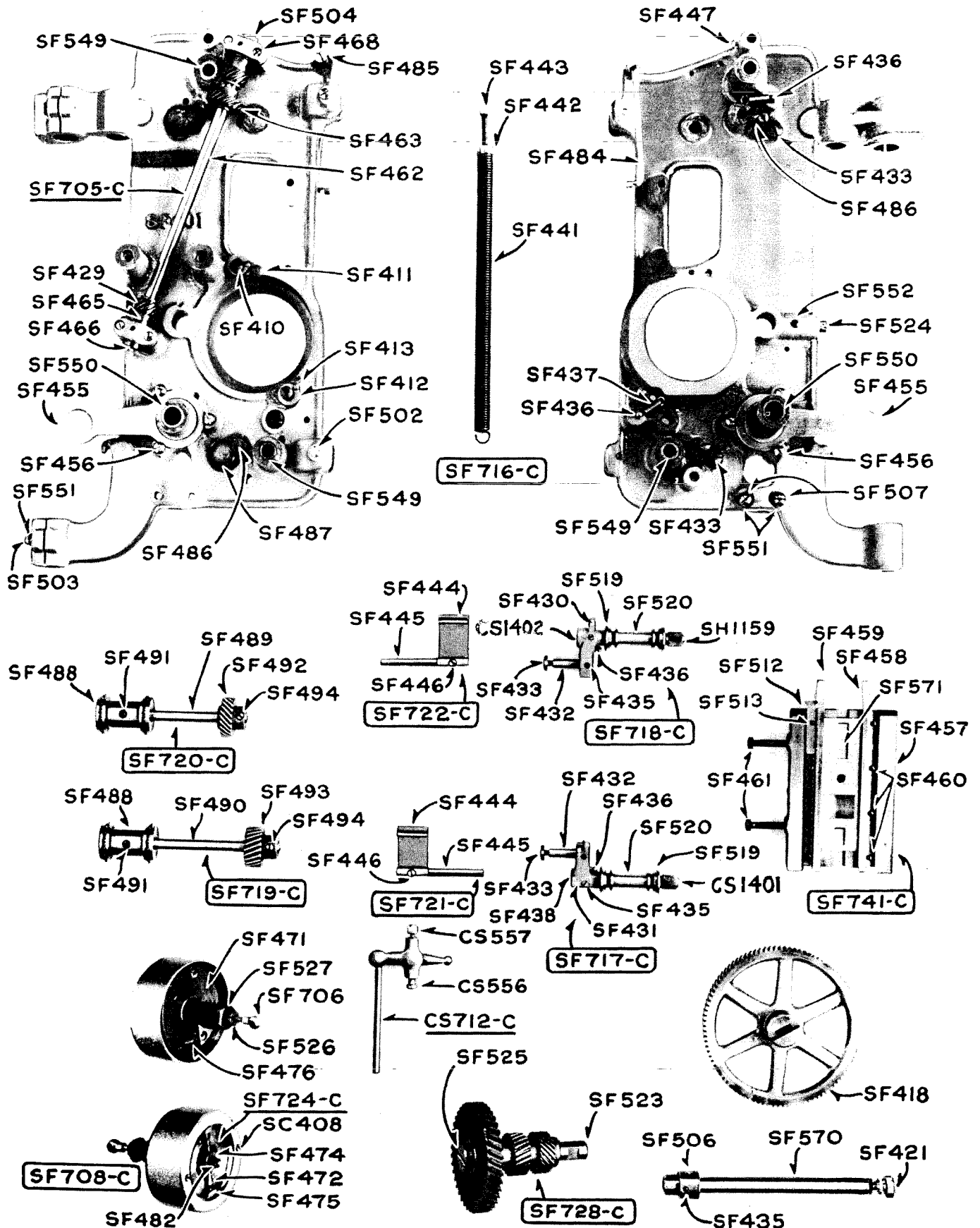
PART NO.	DESCRIPTION	ILLUSTRATION PAGE NO.	UNIT LIST PRICE
SF-716-C	Balance Spring & Screw Bushing	33	1.50
SF-717-C	Lower Roller Bracket, Rollers, Shaft & Screws	33	5.50
SF-718-C	Upper Roller Bracket, Rollers, Shaft & Screws	33	5.50
SF-720-C	Feed Sprocket, Shaft & Pinion	33	10.00
SF-721-C	Stripper Plate for Take-Up Sprocket	10 - 33	1.00
SF-722-C	Stripper Plate for Feed Sprocket	33	1.00
SF-724-C	Governor Case, Support Collar & Pinion	33	11.00
SF-728-C	Bakelite Gear & Double Pinion	7 - 33	9.00
SF-736-C	Film Rollers & Spacer	***	1.95
SF-741-C	Track Support, Tracks & Proportional Aperture Plate	33	15.00
SF-742-C	Take-Up Sprocket, Shaft & Pinion	***	10.00

###

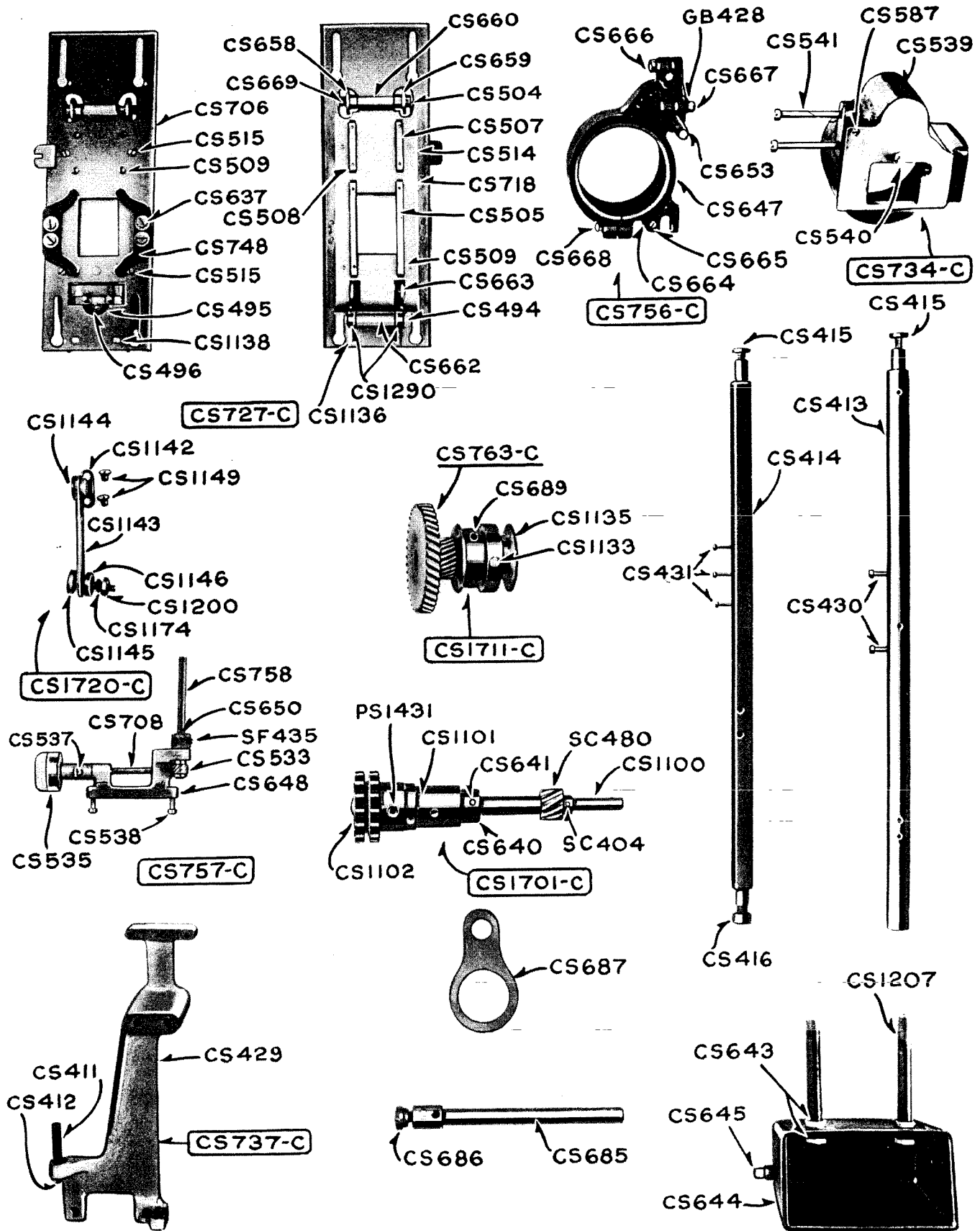
*Used only in Model "K" Mechanism
 **Used only in Model "HK" Mechanism

***Not illustrated
 ****Not sold separately

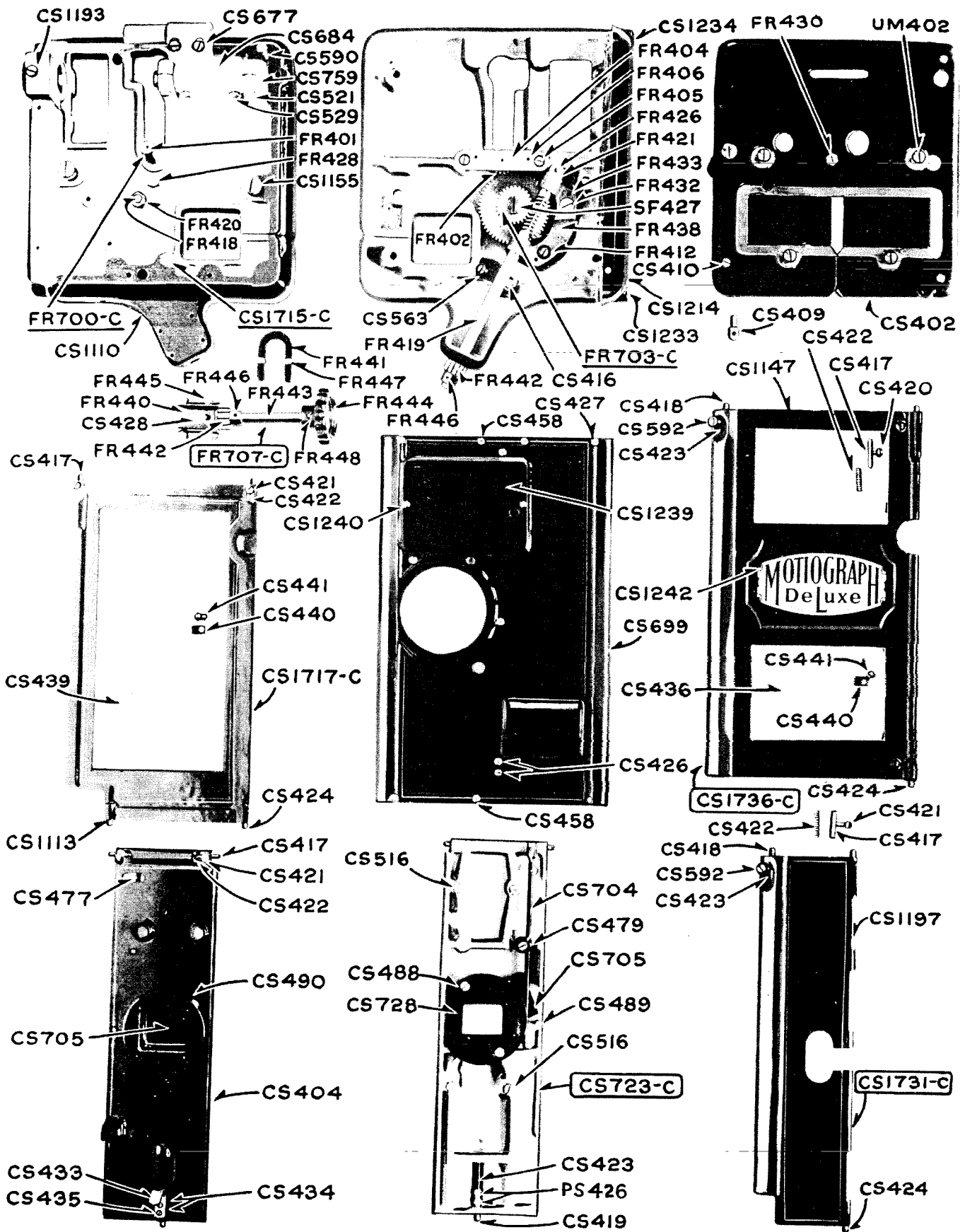
MODEL "HU" PROJECTOR MECHANISM



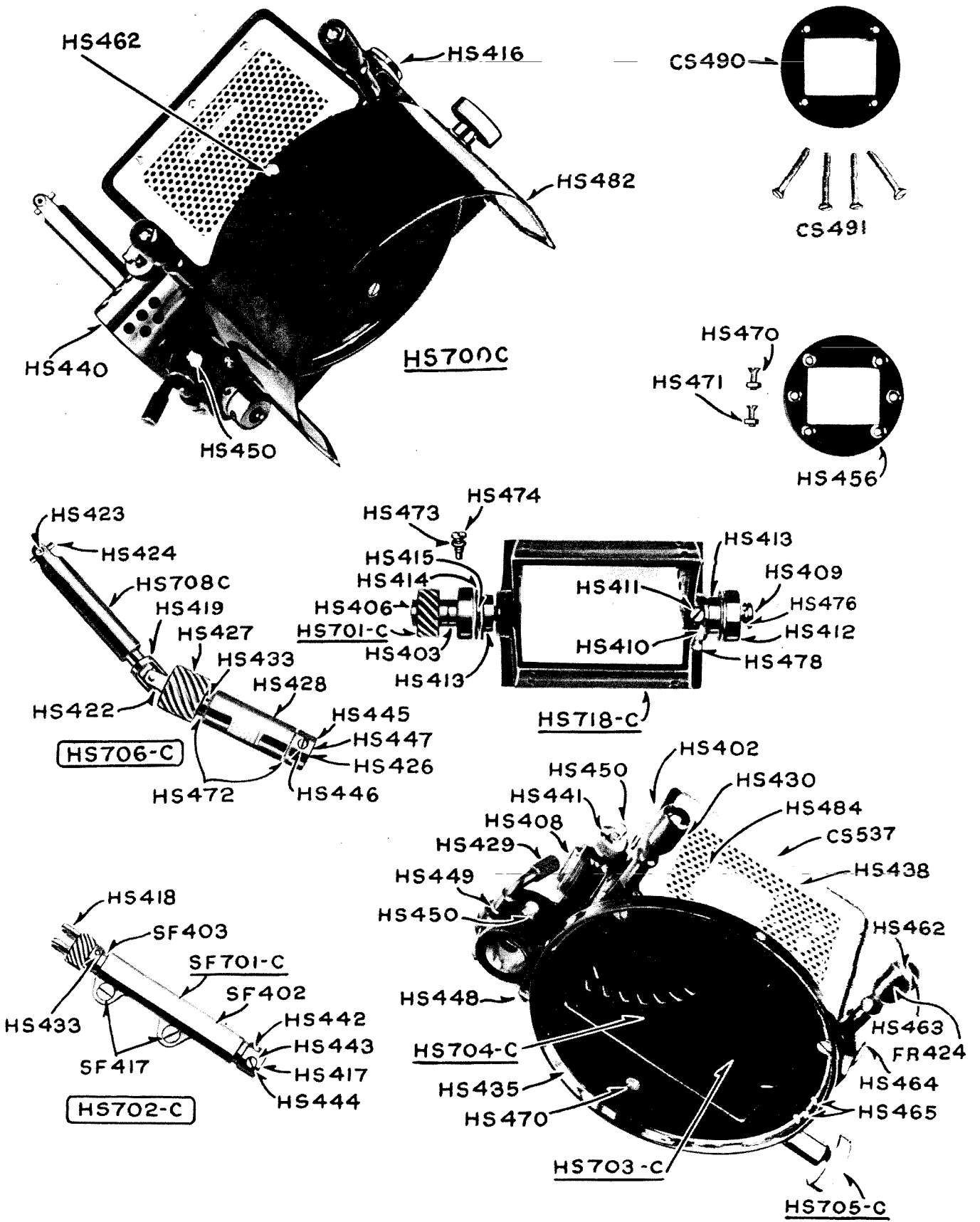
MOTIOGRAPH MODEL "HU" PROJECTOR MECHANISM PARTS



MOTIOGRAPH MODEL "HU" PROJECTOR MECHANISM PARTS



MOTIOGRAPH MODEL "HU" PROJECTOR MECHANISM PARTS



MOTIOGRAPH MODEL "HU" PROJECTOR MECHANISM
HORIZONTAL SHUTTER PARTS

MODEL "HU" PROJECTOR MECHANISM

PART NO.	DESCRIPTION	ILLUSTRATION PAGE NO.	UNIT LIST PRICE
CS-409	Hinge Stud	35	1.00
CS-410	Hinge Stud Screw	35	.10
CS-411	Guide Stud	34	.15
CS-412	Nut for Guide Stud	34	.10
CS-413	Round Tie Rod	34	3.25
CS-414	Square Tie Rod	34	3.25
CS-415	Screw for Tie Rod Top	34	.25
CS-416	Square Tie Rod Nut	34 - 35	.10
CS-417	Door Latch Pin (short)	35	.20
CS-418	Door Latch Pin (long)	35	.25
CS-419	Film Gate Latch Pin	35	.40
CS-420	Door Latch Knob (small)	35	.15
CS-421	Door Latch Knob (medium)	35	.15
CS-422	Door Latch Spring (short)	35	.10
CS-423	Door Latch Spring (long)	35	.10
CS-424	Door Hinge Pin	35	.10
CS-426	Screw for Round Tie Rod	35	.10
CS-427	Screw to attach Front Plate to Top Plate	35	.10
CS-428	Set Screw for FR-443 Shaft	35	.25
CS-429	Cross Bracket	34	4.00
CS-430	Screw for Round Tie Rod	34	.10
CS-431	Screw for Square Tie Rod	34	.10
CS-433	Film Gate Latch Finger Hook	35	.50
CS-434	Film Gate Latch Finger Hook Collar	35	.10
CS-435	Screw for Finger Hook	35	.10
CS-436	Door Glass (right side)	35	.50
CS-439	Door Glass (left side)	35	.40
CS-440	Glass Retaining Clip	35	.05
CS-441	Screw for Retaining Clip	35	.05
CS-452	Set Screw for Collar	6	.05
CS-458	Front Plate Dowel Screw	35	.35
CS-472	Fire Shutter Rack Lever (see CS-704-C)	***	****
CS-473	Fire Shutter Rack (see CS-704-C)	***	****
CS-475	Rack Lever Bearing (see CS-704-C)	***	****
CS-476	Rack Lever Bearing Rivet (see CS-704-C)	***	****

*Used only in Model "K" Mechanism
 **Used only in Model "HK" Mechanism

***Not illustrated
 ****Not sold separately

MODEL "HU" PROJECTOR MECHANISM (Continued)

PART NO.	DESCRIPTION	ILLUSTRATION PAGE NO.	UNIT LIST PRICE
CS-477	Automatic Shutter Finger Stud	12 - 35	.35
CS-479	Rack Lever Bearing Screw	35	.20
CS-480	Fire Shutter Plate (gear side) (see CS-705-C)	***	****
CS-481	Fire Shutter Pinion (see CS-705-C)	***	****
CS-482	Fire Shutter Shaft (see CS-705-C)	***	****
CS-483	Fire Shutter Plate (collar side) (see CS-705-C)	***	****
CS-484	Fire Shutter Collar (see CS-705-C)	***	****
CS-485	Fire Shutter Rivet (see CS-705-C)	***	****
CS-486	Inner Heat Shield (see CS-728-C)	***	****
CS-487	Fire Shutter Stop Stud (see CS-728-C)	***	****
CS-488	Screw for Heat Shield	35	.05
CS-489	Stop Stud for Fire Shutter	35	.10
CS-490	Outer Heat Shield	35 - 36	.60
CS-491	Screw for Outer Heat Shield	36	.05
CS-492	Film Tension Plate (see CS-718-C)	***	****
CS-494	Tension Plate Roller Shaft	34	.15
CS-495	Intermittent Sprocket Shoe Spring	34	.15
CS-496	Screw for Tension Spring	34	.05
CS-497	Gate Slide (see CS-706-C)	13	****
CS-498	Gate Slide Clip (see CS-706-C)	12	****
CS-499	Gate Slide Clip Rivet (see CS-706-C)	12	****
CS-500	Gate Slide Locating Stud (see CS-706-C)	13 - 12	****
CS-504	Guide Roller Shaft	34	.15
CS-505	Tension Shoe (long)	34	1.00
CS-507	Tension Shoe (short)	34	.90
CS-508	Tension Spring (short)	13 - 34	.20
CS-509	Screw for Tension Shoe	34	.10
CS-514	Gate Slide & Tension Plate Collar	34	.10
CS-515	Screw for Tension Plate (same as SC-408)	34	.10
CS-516	Gate Slide Screw	35	.10
CS-521	Screw to clamp CS-684 Toggle Casting	35	.10
CS-529	Screw to clamp CS-759-C Toggle Bushing	35	.10
CS-532	Focusing Bracket Shaft (see CS-708-C)	***	.15
CS-533	Focusing Bracket Pinion (see CS-708-C)	34	1.50

*Used only in Model "K" Mechanism
 **Used only in Model "HK" Mechanism

***Not illustrated
 ****Not sold separately

MODEL "HU" PROJECTOR MECHANISM (Continued)

PART NO.	DESCRIPTION	ILLUSTRATION PAGE NO.	UNIT LIST PRICE
CS-534	Pin for CS-533 Pinion (see CS-708-C)	***	.10
CS-535	Focusing Thumb Knob	34	1.50
CS-537	Screw for Focusing Knob	34 - 35	.10
CS-538	Screw for Focusing Bracket	34	.10
CS-539	Rear Lens Barrel	34	6.25
CS-540	Stud for Rear Lens Barrel	34	.20
CS-541	Screw to attach Lens Barrel to Bracket	34	.25
CS-553	Fire Shutter Pivot Lever (see CS-712-C)	***	****
CS-555	Fire Shutter Pivot Lever Rod (see CS-712-C)	***	****
CS-556	Lever Screw Shaft	33	.30
CS-557	Nut for Lever	33	.20
CS-561	Ball for Adjusting Pin & Star Shaft	14	.05
CS-563	Screw for Stop Stud	35	.10
CS-587	Rear Lens Barrel Stop Screw	34	.10
CS-588	Intermittent Shoe Spring Collar	12	.10
CS-589	Intermittent Shoe Spring Washer	12	.10
CS-590	Screw to attach Front Plate to Base	35	.10
CS-592	Door Latch Knob (large)	35	.25
CS-634	Tension Spring (see CS-748-C)	***	****
CS-635	Tension Spring Pushing (see CS-748-C)	***	****
CS-636	Tension Spring Washer (see CS-748-C)	***	****
CS-637	Tension Spring Screw	34	.15
CS-640	Drive Shaft Collar	34	1.00
CS-641	Set Screw for Collar	34	.10
CS-643	Oil Drain Tube Nut	34	.05
CS-644	Oil Drip Pan	34	2.50
CS-645	Drain Plug	34	.15
CS-647	Front Lens Barrel	34	8.00
CS-648	Front Lens Focusing Bracket	34	2.00
CS-649	Focusing Screw Shaft (see CS-758-C)	***	.35
CS-650	Focusing Screw Shaft Collar	34	.40
CS-651	Screw for Collar (same as SF-435)	34	.10
CS-653	Front Lens Barrel Support Rod	34	.75
CS-658	Film Guide Roller (spring end)	34	1.00

*Used only in Model "K" Mechanism
 **Used only in Model "HK" Mechanism

***Not illustrated
 ****Not sold separately

MODEL "HU" PROJECTOR MECHANISM (Continued)

PART NO.	DESCRIPTION	ILLUSTRATION PAGE NO.	UNIT LIST PRICE
CS-659	Film Guide Roller (plain end)	34	1.00
CS-660	Film-Roller Spacer	34	.40
CS-662	Guide Roller Spacer	34	.25
CS-663	Tension Shoe for Intermittent Sprocket	34	2.00
CS-664	Adjusting Screw for Lens Barrel Guide Rod	34	.10
CS-665	Lock Screw for Adjusting Screw (same as SF-435)	34	.10
CS-666	Adjusting Screw for Screw Shaft	34	.10
CS-667	Adjusting Screw for Adjusting Rod	34	.10
CS-668	Lock Screw for Front Lens Barrel	34	.10
CS-669	Spring for Guide Roller	34	.10
CS-677	Screw for Toggle Casting	35	.10
CS-678	Steel Toggle Bushing (see CS-759-C)	***	****
CS-679	Bronze Bushing for Steel Toggle Bushing (see CS-759-C)		****
CS-681	Toggle Pinion (one Piece) (see CS-763-AC)	***	****
CS-684	Toggle Casting	35	5.00
CS-685	Toggle Shaft	34	5.00
CS-686	Shoulder Screw for Toggle Shaft	34	.35
CS-687	Toggle Link (large)	34	.90
CS-689	Set Screw for Take-Up Pulley	34	.25
CS-696	Clamp for Pilot Lamp Lead	14	.10
CS-699	Front Plate	35	17.50
<u>Assembled Units</u>			
CS-704-C	Fire Shutter Rack Lever & Bearing	35	3.50
CS-705-C	Automatic Fire Shutter	35	2.50
CS-706-C	Gate Slide-Clip & Stud	34	3.75
CS-708-C	Focusing Shaft (short) & Pinion	34	2.00
CS-712-C	Fire Shutter Lever	33	2.00
CS-718-C	Tension Plate & Stud	34	2.50
CS-723-C	Film Gate Complete	35	30.00
CS-727-C	Gate Slide & Tension Plate	34	20.00
CS-728-C	Metal Heat Shield & Stop Stud	35	1.00
CS-734-C	Rear Lens Barrel & Stud	34	10.00
CS-737-C	Cross Bracket & Stud	34	5.00
CS-748-C	Tension Spring, Bushing & Washer	34	.70
CS-756-C	Front Lens Barrel (complete)	34	10.00

*Used only in Model "K" Mechanism
 **Used only in Model "HK" Mechanism

***Not illustrated
 ****Not sold separately

MODEL "HU" PROJECTOR MECHANISM (Continued)

PART NO.	DESCRIPTION	ILLUSTRATION PAGE NO.	UNIT LIST PRICE
CS-757-C	Front Lens Focusing Bracket (complete)	34	11.00
CS-758-C	Screw Shaft, Pinion & Collar	34	2.25
CS-759-C	Toggle Bushing	35	3.00
CS-763-A1	Linen Bakelite Toggle Gear & One-Piece Pinion	34	9.50
CS-776-C	Rollers & Spacers for Tension Plate	***	1.25
CS-777-C	Rollers, Spacers & Springs for Film Guide Roller	***	2.50
	###		
CS-1100	Mechanism Drive Shaft	34	6.50
CS-1101	Mechanism Drive Shaft Bushing	34	4.50
CS-1102	Fifteen-Tooth Sprocket	34	4.50
CS-1110	Mechanism Base	35	32.00
CS-1113	Door (left side) for Mechanism (see CS-1717-C)	35	****
CS-1133	Oil Cup for Take-Up Pulley	34	.15
CS-1135	Take-Up Pulley	34	5.00
CS-1136	Film Tension Plate Support	34	1.00
CS-1138	Rivet for Tension Plate Support	34	.05
CS-1140	Mechanism Plate	***	12.50
CS-1142	Stop Plate Hinge	34	.40
CS-1143	Stop Arm	34	.35
CS-1144	Stop Plate Bearing Stud	34	.15
CS-1145	Screw for Stop Plate (same as CS-1270)	34	.15
CS-1146	Stop Plate Friction Washer	34	.20
CS-1149	Screw for CS-1142 Hinge (same as HS-436)	34	.10
CS-1155	Screw to attach Mechanism to Plate & Sound Reproducer	35	.35
CS-1174	Lock Washer for Film Gate Stop Plate (same as HS-473)	34	.10
CS-1193	Retaining Screw for Mechanism Drive Bushing	35	.15
CS-1197	Door (left side, rear)	35	6.00
CS-1200	Nut for Stop Screw	34	.05
CS-1201	Stop Stud (see CS-1715-C)	***	****
CS-1202	Set Screw for Stop Stud	***	.10
CS-1203	Screw for CS-440 Retaining Clip (same as CS-441)	35	.05
CS-1206	Screw (rear) to attach Mechanism Plate to Sound Reproducer	***	.15
CS-1207	Oil Tube for Drip Pan	34	.15

*Used only in Model "K" Mechanism
**Used only in Model "HK" Mechanism

***Not illustrated
****Not sold separately

MODEL "HU" PROJECTOR MECHANISM (Continued)

PART NO.	DESCRIPTION	ILLUSTRATION PAGE NO.	UNIT LIST PRICE
CS-1208	Screw (front) to attach Mechanism Plate to Sound Reproducer	***	.15
CS-1214	Filler Casting	35	5.00
CS-1233	Screw for Filler Casting (long)	35	.20
CS-1234	Screw for Filler Casting (short)	35	.20
CS-1236	Washer for CS-1206 & CS-1208 Screws	***	.15
CS-1270	Screw for Stop Plate	34	.15
CS-1290	Film Tension Plate Roller	13 - 34	.40
CS-1294	Door (right side) (see CS-1736-C)	35	12.00
CS-1296	Film Gate (see CS-723-C)	35	12.00
CS-1299	Top Plate (same as CS-402)	35	15.00
CS-1309	Screw to attach Front Plate to Mechanism Base (long) (same as CS-427)	8	.10
CS-1310	Screw to attach Front Plate to Base (short) (same as CS-340)	8	.10
CS-1401	Handle Screw for Tension Pad	15 - 33	.25
CS-1402	Guide Roller Shaft	33	.55
	<u>Assembled Units</u>		
CS-1701-C	Mechanism Drive Shaft, Bushing & Sprocket	34	22.50
CS-1711-C	Bakelite Toggle Gear, Pinion & Pulley	34	13.50
CS-1715-C	Film Gate Stop	35	1.50
CS-1717-C	Door (left side)	35	11.00
CS-1720-C	Stop Plate & Screw (complete)	34	2.00
CS-1731-C	Door (left side, rear)	35	9.50
CS-1736-C	See CS-1756-C		
CS-1747-C	Film Guide Roller & Bracket	10	2.00
CS-1756-C	Door (right side)	11	17.50
CS-1757-C	Film Gate (complete)	13	27.50
CS-1758-C	Door (left side, rear)	11	9.50
CS-1759-C	Door (left side)	11	11.00
	###		
FR-401	Framer Screw (see FR-700-C)	35	3.50
FR-402	Framer Screw Pinion (see FR-700-C)	35	2.00
FR-403	Taper Pin for Framer Screw (see FR-700-C)	***	.10
FR-404	Framer Screw Yoke	35	2.50
FR-405	Screw for Yoke	35	.10
FR-406	Dowel Pin for Yoke	35	.15
FR-412	Screw for FR-438 Bracket	35	.10

*Used only in Model "K" Mechanism
 **Used only in Model "HK" Mechanism

***Not illustrated
 ****Not sold separately

MODEL "HU" PROJECTOR MECHANISM (Continued)

PART NO.	DESCRIPTION	ILLUSTRATION PAGE NO.	UNIT LIST PRICE
FR-418	Eccentric Shaft for Worm Gear	35	1.00
FR-419	Worm & Shaft	35	3.50
FR-420	Nut for Eccentric Shaft	35	.15
FR-421	Lock Collar for Worm Shaft	35	.50
FR-424	Knob for Dowser	36	.25
FR-426	Screw for Lock Collar (same as SF-435)	35	.10
FR-428	Lower Stop Screw for Framing Device	35	.15
FR-429	Hexagon Nut for Stop Screw	10	.10
FR-430	Upper Stop Screw for Framing Device	10 - 35	.15
FR-432	Screw for Support Bracket	35	.45
FR-433	Dowel Pin for Support Bracket	35	.10
FR-434	Screw for Eccentric Shaft (same as SF-427)	35	.15
FR-435	Retaining Pin for Eccentric Shaft	***	.15
FR-438	Framing Screw Bracket	35	3.50
FR-440	Framer Bearing Bracket	35	3.50
FR-441	Gear Guard	35	1.25
FR-442	Spur Tooth Gear	35	2.00
FR-443	Shaft for Framer Hand Wheel	35	.75
FR-444	Framer Hand Wheel	35	1.50
FR-445	Screw for Bearing Bracket (same as HS-478)	35	.10
FR-446	Taper Pin for Spur Tooth Gear	35	.05
FR-447	Screw for FR-441 Guard	35	.05
FR-448	Set Screw for FR-444 Handle	35	.10
	<u>Assembled Units</u>		
FR-700-C	Framer Screw & Pinion	35	5.00
FR-703-C	Framer Gear & Worm Gear	35	7.50
FR-707-C	Framing Device	35	10.00
	###		
GB-404	Stud for Intermittent Movement Case	14	.15
GB-405	Dowel Pin for Intermittent Movement Case Cover	14	.10
GB-412	Taper Pin for Star Shaft & Sprocket	***	.10
GB-416	Cam Pin	14	1.00
GB-417	Screw for Intermittent Movement Case	14	.15
GB-428	Lock Washer for Front Lens Barrel	34	.10
GB-500	Double Bearing Bracket for Star Shaft	6 - 14	10.00

*Used only in Model "K" Mechanism
 **Used only in Model "HK" Mechanism

***Not illustrated
 ****Not sold separately

MODEL "HU" PROJECTOR MECHANISM (Continued)

PART NO.	DESCRIPTION	ILLUSTRATION PAGE NO.	UNIT LIST PRICE
GB-501	Main Bushing for Star Shaft	14	2.50
GB-502	Bearing Bushing for Star Shaft	6 - 14	4.00
GB-503	Intermittent Star Note: In ordering, be sure to give the Intermittent Movement serial number. See page 5 for more detailed information.	14	15.90
GB-504	End Thrust Adjusting Pin	6 - 14	1.50
GB-505	Adjusting Pin Set Screw	14	.10
GB-506	Screw for Bearing Bushing	14	.15
GB-507-1	Intermittent Cam Note: In ordering, be sure to give the Intermittent Movement serial number. See page 5 for more detailed information.	14	11.25
GB-507-2	Intermittent Cam Note: In ordering, be sure to give the Intermittent Movement serial number. See page 5 for more detailed information.	14	11.25
GB-508	Intermittent Sprocket	14	9.75
GB-509	Double Bearing Balance Wheel	14	6.50
GB-511	Grease Plug	9 - 14	.50
GB-512	Retaining Screw for Balance Wheel	9 - 14	.50
GB-513	Set Screw for Balance Wheel	9 - 14	.25
GB-514	Lock Screw for Set Screw	14	.15
GB-515	Stripper Plate	14	1.25
GB-516	Screw for Stripper Plate	14	.10
GB-517	Cam Shaft Bushing	14	3.00
GB-518	Cover for Double Bearing Intermittent Movement Case (see GB-710-C)	***	7.00
GB-520	Lock Screw for Double Bearing Bracket	14	.15
GB-521	Brass Plug for Lock Screw	14	.10
GB-522	Intermittent Movement Case	14	10.00
GB-523	Adjusting Bracket	6 - 14	3.00
GB-524	Adjusting Bracket Screw	6 - 14	.20
GB-526	Screw to attach Adjusting Bracket to Cover	6 - 14	.10
GB-528	Drive Screw for Direction Plate	***	.05
GB-530	Adjustment Direction Plate	6	.20
GB-532	Balance Wheel Pinion (fine-tooth)	9 - 14	5.00
GB-533	Balance Wheel Pinion (heavy-duty)	9 - 14	2.00
GB-537	Grease Injector	14	2.00

*Used only in Model "K" Mechanism
**Used only in Model "HK" Mechanism

***Not illustrated
****Not sold separately

MODEL "HU" PROJECTOR MECHANISM (Continued)

PART NO.	DESCRIPTION	ILLUSTRATION PAGE NO.	UNIT LIST PRICE
GE-558	Intermittent Star Note: In ordering, be sure to give the Intermittent Movement serial number. See page 5 for more detailed information.	***	15.90
GE-559	Intermittent Cam Note: In ordering, be sure to give the Intermittent Movement serial number. See page 5 for more detailed information.	***	11.25
GE-560	Intermittent Star Note: In ordering, be sure to give the Intermittent Movement serial number. See page 5 for more detailed information.	***	15.90
<u>Assembled Units</u>			
GE-709-C	Intermittent Movement Case & Bushing	14	13.50
GE-710-C	Intermittent Movement Case Cover & Locating Pin	14	7.50
GE-712-C	Cam Shaft & Pin	14	12.25
GE-714-C	Double Bearing Intermittent Movement	14	125.00
GE-717-C	Balance Wheel & Pinion	14	18.50
###			
HS-401	Horizontal Shutter (see HS-718-C)	***	10.00
HS-402	Shutter Housing	36	35.00
HS-403	Shaft for Shutter Pinion Adjustment	12 - 36	6.00
HS-406	Lock Screw for HS-403 Shaft	36	.25
HS-408	Cap (left side)	36	1.75
HS-409	Screw Shaft for Shutter Alignment	36	2.00
HS-410	Copper Plug for Shutter	36	.05
HS-411	Shaft Lock Screw for Shutter	36	.15
HS-412	Ball Bearing in Housing	36	2.50
HS-413	Retainer for Felt Washer	36	.50
HS-414	Retainer Cover for Felt Washer	36	.50
HS-415	Felt Washer	36	.10
HS-416	Cap (right side)	36	1.50
HS-417	Shutter Drive Shaft (see HS-702-C)	36	2.00
HS-418	Pinion for Shutter Drive Shaft (see HS-702-C)	36	5.00
HS-419	Telescope Shaft (see HS-708-C)	36	7.00
HS-420	Telescope Shaft Retainer (see HS-708-C)	***	7.00
HS-421	Key for Retainer (see HS-708-C)	***	1.25
HS-422	Universal Block	36	1.50
HS-423	Universal Block Pin (large)	36	.70

*Used only in Model "K" Mechanism
**Used only in Model "HK" Mechanism

***Not illustrated
****Not sold separately

MODEL "HU" PROJECTOR MECHANISM (Continued)

PART NO.	DESCRIPTION	ILLUSTRATION PAGE NO.	UNIT LIST PRICE
HS-424	Universal Block Pin (small)	36	.40
HS-425	Universal Block Pin Spring	13	.10
HS-426	Shaft for Shutter Adjustment	36	2.00
HS-427	Pinion for Shutter Adjustment	36	7.00
HS-428	Rack Bushing for Shutter Adjustment (replaced by HS-490 & HS-491)	36	5.00
HS-429	Lock Handle	36	1.00
HS-430	Knob for Dowser (same as FR-424)	36	.25
HS-431	Knob for Gear Shaft (see HS-705-C)	***	1.25
HS-432	Pin for Knob (see HS-705-C)	***	.05
HS-433	Taper Pin for HS-418 & HS-427 Pinions	36	.05
HS-435	Heat Shield	36	5.00
HS-436	Screw to attach Heat Shield to Housing	36	.05
HS-437	Glass for Housing	***	.50
HS-438	Bezel for Perforated Steel or Glass	36	.60
HS-439	Screw for Bezel (same as CS-537)	36	.10
HS-440	Pinion Cover	36	2.00
HS-441	Thumb Screw for Pinion Cover	36	.75
HS-442	Lock Collar for HS-417 Shaft	36	1.00
HS-443	Screw for Lock Collar (same as SC-415)	36	.10
HS-444	Copper Plug for HS-442 Collar	36	.05
HS-445	Lock Collar for HS-426 Shaft	36	1.50
HS-446	Screw for Lock Collar (same as SC-415)	36	.10
HS-447	Copper Plug for HS-445 Collar	36	.05
HS-448	Retaining Screw for HS-403 Shaft	36	.20
HS-449	Collar for Lock Handle	36	.20
HS-450	Oil Cup	36	.40
HS-456	Heat Shield in Housing	36	1.50
HS-457	Dowser Plate (see HS-703-C & HS-704-C)	***	****
HS-458	Dowser Segment (right side) (see HS-703-C)	***	****
HS-459	Support Handle	***	****
HS-460	Rivet to attach Support to Dowser Plate (see HS-703-C & HS-704-C)	***	****
HS-461	Steel Washer to equalize Dowser	***	.20

*Used only in Model "K" Mechanism
 **Used only in Model "HK" Mechanism

***Not illustrated
 ****Not sold separately

MODEL "HU" PROJECTOR MECHANISM (Continued)

PART NO.	DESCRIPTION	ILLUSTRATION PAGE NO.	UNIT LIST PRICE
HS-462	Screw to attach Handle to Support	36	.05
HS-463	Washer for Screw	36	.05
HS-464	Dowser Stop Spring	36	.30
HS-465	Screw to attach Spring	36	.10
HS-468	Dowser Segment (left side) (see HS-704-C)	***	****
HS-469	Rivet to attach Segment to Plate (see HS-703-C & HS-704-C)	***	****
HS-470	Screw to attach Heat Shield to Housing	36	.05
HS-471	Nut for Heat Shield Screw	36	.05
HS-472	Fibre Washer for HS-426 Shaft	36	.10
HS-473	Lock Washer	36	.10
HS-474	Screw to lock Shutter on HS-403 Shaft	36	.25
HS-476	Tension Washer for HS-409 Shaft	36	.20
HS-478	Screw to lock HS-474 & HS-411 Screws	36	.05
HS-479	Copper Plug for Shutter	12	.05
HS-480	Shutter Timing Gear Shaft (see HS-705-C)	***	2.00
HS-481	Bushing for Shutter (see HS-718-C)	***	****
HS-482	Light Shield	36	2.50
HS-483	Screw to attach Light Shield (same as HS-462)	36	.05
HS-484	Perforated Steel Screen	36	.40
HS-485	Handle for Dowser (red) (same as PS-1505)	12	.25
HS-486	Shutter Housing	13	35.00
HS-487	Heat Shield	12	5.00
HS-488	Light Shield	12	2.50
HS-489	Dowser Post for Handle (see HS-703-C & HS-704-C)	12	****
HS-490	Steel Shutter Timing Sleeve for HS-491 Eccentric Bushing	***	3.75
HS-491	Eccentric Bronze Bushing for HS-490 Steel Sleeve. Note: Must be used in conjunction with HS-490 Sleeve to replace HS-428 Bushing.	***	2.00
HS-492	Ball Bearing for HS-486 Housing	***	2.50
HS-494	Light Shield (1½" wide)	***	2.50
<u>Assembled Units</u>			
HS-700-C	Horizontal Shutter Housing Shaft & Pinions	36	100.00
HS-701-C	Bakelite Pinion & Hub	36	5.50

*Used only in Model "K" Mechanism
 **Used only in Model "HK" Mechanism

***Not illustrated
 ****Not sold separately

MODEL "HU" PROJECTOR MECHANISM (Continued)

PART NO.	DESCRIPTION	ILLUSTRATION PAGE NO.	UNIT LIST PRICE
HS-702-C	Drive Shaft Pinion & Bearing	36	17.50
HS-703-C	Shutter Dowser Segment & Handle (right side)	36	4.00
HS-704-C	Shutter Dowser Segment & Handle (left side)	36	4.00
HS-705-C	Shutter Timing Knob & Gear Shaft	36	4.50
HS-706-C	Shutter Adjusting Shaft, Bushing, Pinion & Telescope Shaft	36	30.00
HS-708-C	Telescope Shaft, Retainer & Key	36	17.50
HS-713-C	Drive Shaft & Pinion	***	7.00
HS-714-C	Shutter Shaft, Bearing & Retainer	***	9.60
HS-715-C	Screw Shaft Bearing & Retainer	***	6.30
HS-718-C	Horizontal Shutter & Bushing	36	17.50
HS-720-C	Horizontal Shutter, Housing, Shafts & Pinions	12	100.00
HS-721-C	Retainer & Key	***	9.00
	###		
PL-413	Lamp Socket	14	1.25
PL-415	Pilot Lamp	14	.30
PL-422	Composition Bushing	14	.05
PL-423	Copper Terminal	***	.05
PL-427	Pilot Lamp Switch	14	2.00
PL-428	Pilot Lamp Housing	14	3.50
PL-429	Screw to attach Switch to Housing	14	.05
PL-430	Screw to attach Housing to Front Plate	14	.05
PL-431	Washer for PL-430 Screw	14	.05
PL-434	Terminal for Wire Lead	14	.10
PL-435	Armored Cable	14	.50
PL-436	Candelabra to Miniature Lamp Adapter	***	.50
	<u>Assembled Units</u>		
PL-702-C	Connection Plug	14	1.00
PL-711-C	Pilot Lamp Switch & Housing	14	10.00
	###		
PS-426	Nut for CS-435 Finger Hook Screw	35	.05
PS-1431	Set Screw for CS-1102 Sprocket	34	.10
	###		
SC-404	Taper Pin	34	.05
SC-408	Screw for Governor Case & Tension Plate	33	.10
SC-415	Set Screw	***	.10
SC-428	Set Screw	***	.10

*Used only in Model "K" Mechanism
 **Used only in Model "HK" Mechanism

***Not illustrated
 ****Not sold separately

MODEL "HU" PROJECTOR MECHANISM (Continued)

PART NO.	DESCRIPTION	ILLUSTRATION PAGE NO.	UNIT LIST PRICE
SC-480	Heavy Duty Pinion for Motor Drive Shaft	34	2.00
SF-402	Bearing Bracket for Shutter Drive Shaft	36	3.50
SF-403	Bearing Bracket Bushing	36	.50
SF-410	Screw to clamp Intermittent Movement Case	33	.15
SF-411	Stud to locate Intermittent Movement Case	33	.20
SF-412	Clamp for Intermittent Movement Case	33	.10
SF-413	Clamp Pin for Intermittent Movement Case	33	.10
SF-417	Screw for Shutter Drive Bearing	36	.15
SF-418	Main Gear	33	11.00
SF-421	Thumb Screw for Main Shaft	33	.40
SF-427	Screw to retain Eccentric Shaft	35	.20
SF-429	Lower & Upper Pinion for Diagonal Shaft	33	1.75
SF-430	Upper Roller Bracket	33	1.75
SF-431	Lower Roller Bracket	33	1.75
SF-432	Roller Bracket Shaft	33	.35
SF-433	Screw for Upper & Lower Roller Bracket Shaft	33	.15
SF-435	Set Screw for Upper & Lower Roller Bracket Shaft	33 - 34	.10
SF-436	Stud for Roller Bracket Spring	33	.10
SF-437	Spring for Roller Bracket	33	.15
SF-438	Film Roller Shaft	33	.30
SF-441	Balance Spring	33	.25
SF-442	Screw Bushing for end of Spring	33	.50
SF-443	Screw for Adjusting Spring	33	.05
SF-444	Stripper Plate	33	.30
SF-445	Stripper Plate Shaft	33	.35
SF-446	Screw for Stripper Plate Shaft	33	.05
SF-447	Screw for Stripper Plate Shaft	33	.10
SF-551	Lock Washer for Clamp Screw	33	.10
SF-552	Clamp Screw	33	.05
SF-455	Toggle Link	33	.60
SF-456	Screw for Toggle Link	33	.05
SF-457	Track Support	33	7.00
SF-458	Track (right side)	33	1.75
SF-459	Track (left side)	33	1.75
SF-460	Screw for Tracks	33	.10

*Used only in Model "K" Mechanism

***Not illustrated

MODEL "HU" PROJECTOR MECHANISM (Continued)

PART NO.	DESCRIPTION	ILLUSTRATION PAGE NO.	UNIT LIST PRICE
SF-461	Screw to attach Track Support to Frame	33	.25
SF-462	Diagonal Shaft	33	.80
SF-463	Pinion for Diagonal Shaft (large)	33	2.50
SF-465	Taper Pin for Diagonal Shaft Pinion	33	.10
SF-466	Lower Diagonal Shaft Bushing	33	.75
SF-467	Cap for Diagonal Shaft Bushing	***	.25
SF-468	Screw for SF-467 Cap	33	.10
SF-469	Governor Support Collar (see SF-724-C)	***	****
SF-470	Governor Pinion (see SF-724-C)	***	****
SF-471	Governor Weight	33	****
SF-472	Governor Weight Ball Stud	33	.20
SF-474	Governor Weight Collar	33	.50
SF-475	Governor Weight Pivot Pin	33	.10
SF-476	Governor Weight Spring	33	.15
SF-477	Governor Case (see SF-724-C)	***	****
SF-478	Governor Case Screw (same as SC-408)	33	.10
SF-479	Pull Shaft for Governor (see SF-706-C)	***	****
SF-480	Ball for end of Pull Shaft (see SF-706-C)	***	****
SF-481	Rivet for Ball (see SF-706-C)	***	****
SF-482	Nut for end of Pull Shaft	33	.10
SF-484	Gate Slide Link	33	.75
SF-485	Gate Slide Link Nut	33	.20
SF-486	Stop for Eccentric Roller Bracket	33	.35
SF-487	Lock Stud for Eccentric Stop	33	.35
SF-488	Feed and Take-Up Sprocket	33	6.00
SF-489	Feed Sprocket Shaft	33	1.25
SF-490	Take-Up Sprocket Shaft	33	1.25
SF-491	Screw for Feed and Take-Up Sprocket	33	.10
SF-492	Feed Sprocket Pinion	33	2.50
SF-493	Take-Up Sprocket Pinion	33	2.75
SF-494	Screw for Sprocket Pinion (same as SC-482)	33	.10
SF-502	Friction Screw (short)	33	.05
SF-503	Friction Screw (long)	33	.05
SF-504	Diagonal Shaft Flange Bushing	33	.90
SF-506	Main Shaft Collar	33	.60
SF-507	Clamping Screw for Sliding Frame	33	.05

*Used only in Model "K" Mechanism
 **Used only in Model "HK" Mechanism

***Not illustrated
 ****Not sold separately

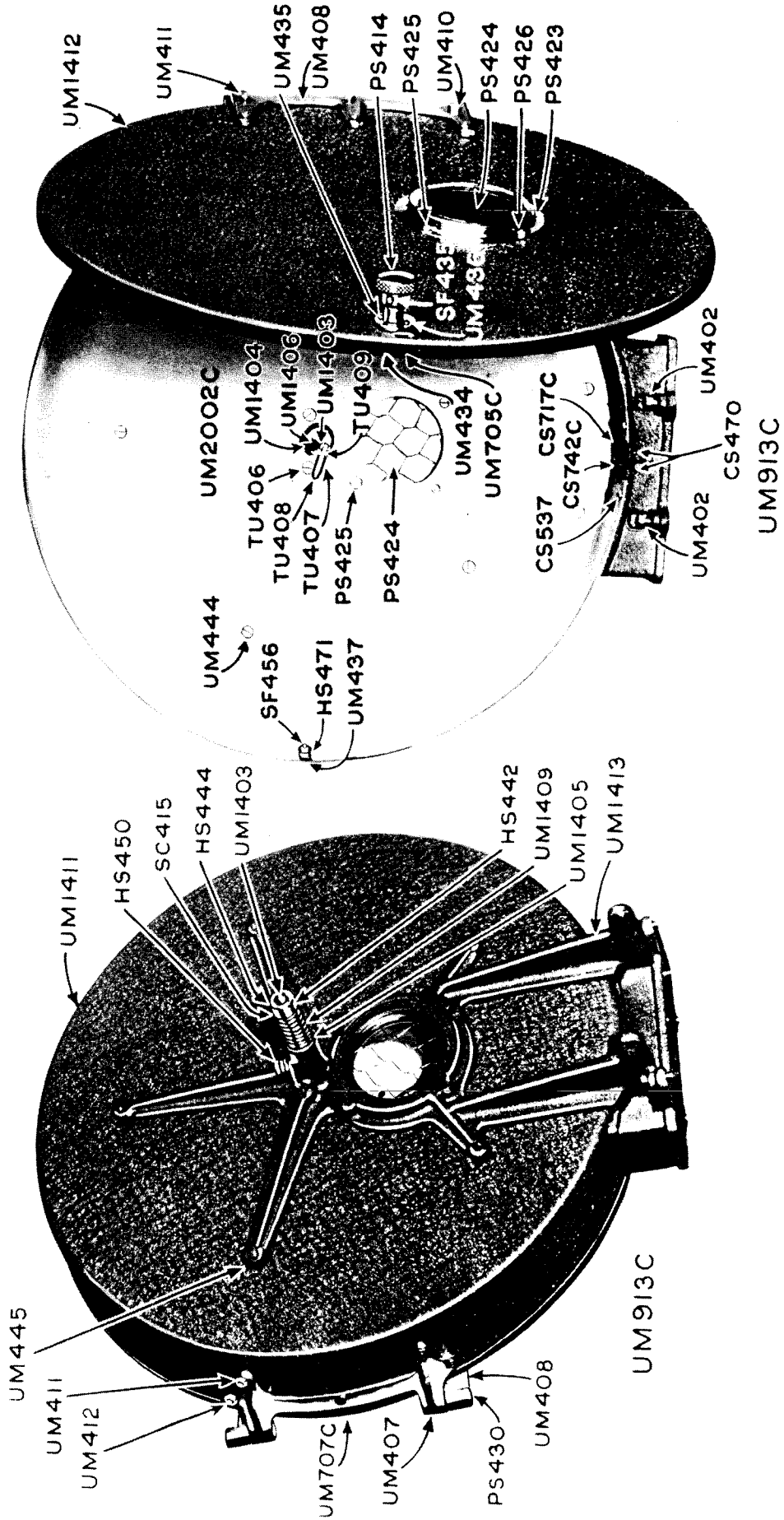
MODEL "HU" PROJECTOR MECHANISM (Continued)

PART NO.	DESCRIPTION	ILLUSTRATION PAGE NO.	UNIT LIST PRICE
SF-512	Film Guide	33	.25
SF-513	Film Guide Screw	33	.25
SF-514	Screw for Main Shaft Collar (same as SF-435)	33	.10
SF-519	Film Roller	33	.80
SF-520	Film Roller Spacer	33	.35
SF-523	Shaft for One-Piece Pinion	33	3.75
SF-524	Lock Screw for Shaft	33	.25
SF-525	Screw to Retain Double Gear	33	.35
SF-526	Governor Shaft	33	3.50
SF-527	Governor Shaft Nut	33	.35
SF-549	Upper & Lower Sprocket Shaft Bushing	33	.50
SF-550	Main Shaft Bushing	33	.75
SF-570	Main Shaft	33	4.25
SF-571	Proportional Aperture Plate (round corner)	33	2.00
SF-572	Proportional Aperture Plate (square corner)	***	2.00
<u>Assembled Units</u>			
SF-701-C	Bearing Bracket & Bushing for Shutter Drive	36	6.50
SF-705-C	Diagonal Shaft & Pinions	33	8.50
SF-706-C	Automatic Shutter Governor Pull Shaft & Ball	33	1.50
SF-708-C	Automatic Shutter Governor (complete)	33	22.50
SF-716-C	Balance Spring & Screw Bushing	33	1.50
SF-717-C	Lower Roller Bracket, Rollers, Shaft & Screws	33	5.50
SF-718-C	Upper Roller Bracket, Rollers, Shaft & Screws	33	5.50
SF-719-C	Take-Up Sprocket, Shaft & Pinion	33	10.00
SF-720-C	Feed Sprocket, Shaft & Pinion	33	10.00
SF-721-C	Stripper Plate for Take-Up Sprocket	33	1.00
SF-722-C	Stripper Plate for Feed Sprocket	33	1.00
SF-724-C	Governor Case, Support Collar, & Pinion	33	11.00
SF-728-C	Bakelite Gear & Double Pinion	33	9.00
SF-736-C	Film Rollers & Spacer	***	1.95
SF-741-C	Track Support, Tracks & Proportional Aperture Plate	33	15.00
###			
UM-402	Screw to attach Magazine to Mechanism	35	.10

*Used only in Model "K" Mechanism
 **Used only in Model "HK" Mechanism

***Not illustrated
 ****Not sold separately

MODELS "K" & "HU" UPPER MAGAZINES



MOTIOGRAPH MODELS "K" & "HU" UPPER MAGAZINES

MODELS "K" & "HU" UPPER MAGAZINES

PART NO.	DESCRIPTION	ILLUSTRATION PAGE NO.	UNIT LIST PRICE
CS-470	Fire Trap Roller Shaft	52	.15
CS-488	Screw	***	.05
CS-537	Screw for Catch (small)	52	.10
<u>Assembled Units</u>			
CS-717-C	Fire Trap Roller (small bore)	52	1.00
CS-742-C	Fire Trap Roller (large bore)	52	1.00
###			
HS-442	Lock Collar for HS-417 Shaft	52	1.00
HS-444	Copper Plug for HS-442 Collar	52	.05
HS-450	Oil Cup	52	.40
HS-471	Nut for CS-488 Screw	52	.05
PS-414	Knob for Magazine Door	52	.60
PS-423	Frame for Magazine Observation Port Glass	52	.75
PS-424	Wired Glass for Magazine Observation Port	52	.75
PS-425	Screw for Frame	52	.05
PS-426	Nut for PS-425 Screw	52	.05
PS-430	Hinge Pin	52	.15
SC-415	Set Screw	52	.10
SF-435	Set Screw for Door Knob	52	.10
SF-456	Screw for Catch (large)	52	.05
TU-405	Take-Up Shaft Staple (same as UM-1406)	52	.15
TU-406	Take-Up Shaft Spring	52	.10
TU-407	Take-Up Shaft Plunger	52	.10
TU-408	Reel Latch	52	.75
TU-409	Pin for Clip	52	.05
UM-402	Screw to attach Magazine to Mechanism	52	.10
UM-407	Body Hinge	52	2.50
UM-408	Cover Hinge	52	2.50
UM-410	Screw for Door Hinge	52	.05
UM-411	Nut for UM-410 Screw	52	.05
UM-412	Screw for Body Hinge	52	.05
UM-432	Stud for Door Knob (see UM-705-C)	***	.20

*Used only in Model "K" Mechanism
 **Used only in Model "HK" Mechanism

***Not illustrated
 ****Not sold separately

MODELS "K" & "HU" UPPER MAGAZINES (Continued)

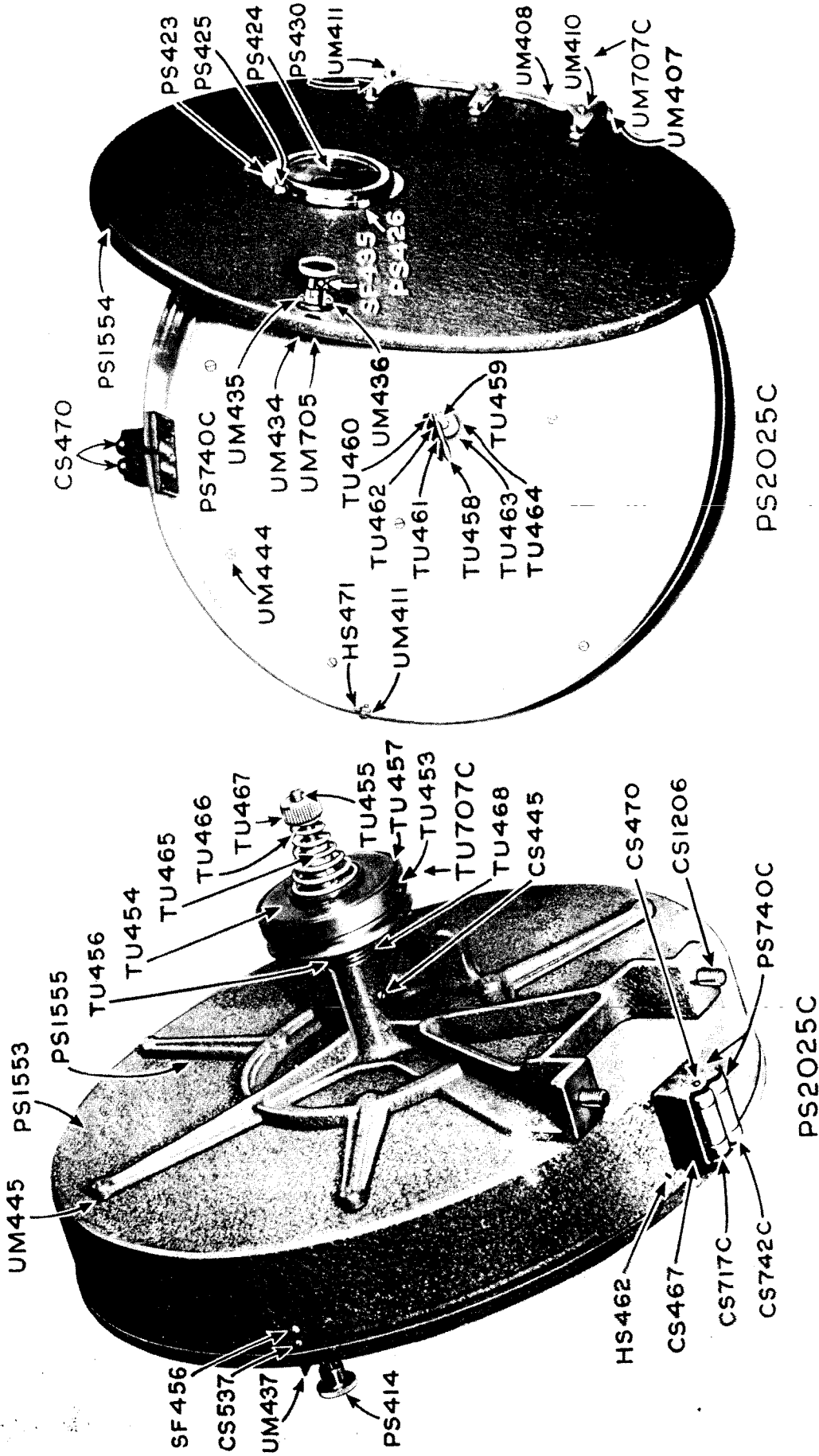
PART NO.	DESCRIPTION	ILLUSTRATION PAGE NO.	UNIT LIST PRICE
UM-433	Magazine Door Latch (see UM-705-C)	***	.10
UM-434	Spring for Door Latch	52	.15
UM-435	Collar for Door Latch	52	.75
UM-436	Screw for UM-435 Collar	52	.10
UM-437	Door Catch	52	.75
UM-444	Screw to attach Magazine to Spider	52	.05
UM-445	Felt Washer for Spider & Magazine	52	.05
UM-1403	Upper Magazine Reel Shaft	52	1.00
UM-1404	Reel Shaft Collar	52	.50
UM-1405	Spring Retaining Washer	52	.25
UM-1406	Staple for Reel Shaft	52	.10
UM-1409	Spring for Reel Shaft	52	.25
UM-1411	Magazine Body	52	7.50
UM-1412	Magazine Cover	52	4.00
UM-1413	Upper Magazine Spider	52	15.00
	<u>Assembled Units</u>		
UM-705-C	Magazine Door Latch & Stud	52	.50
UM-707-C	Magazine Door Hinge	52	5.50
UM-2002-C	Upper Magazine Reel Shaft	52	3.50

###

*Used only in Model "K" Mechanism
 **Used only in Model "HK" Mechanism

***Not illustrated
 ****Not sold separately

MODEL "K" LOWER MAGAZINE



MOTIOGRAPH MODEL "K" LOWER MAGAZINE

MODEL "K" LOWER MAGAZINE

PART NO.	DESCRIPTION	ILLUSTRATION PAGE NO.	UNIT LIST PRICE
CS-445	Set Screw for Spider Hub	55	.10
CS-467	Fire Trap Casting	55	4.50
CS-470	Fire Trap Roller Shaft	55	.15
CS-488	Screw	***	.05
CS-537	Screw for Catch (small)	55	.10
<u>Assembled Units</u>			
CS-717-C	Fire Trap Roller (small bore)	55	1.00
CS-742-C	Fire Trap Roller (large bore)	55	1.00
CS-1206	Screw to attach Lower Magazine to Sound Reproducer	55 - 71	.15
###			
HS-462	Screw for Fire Trap	55	.05
HS-471	Nut for HS-462 Screw	55	.05
PS-414	Knob for Magazine Door	55	.60
PS-423	Frame for Magazine Observation Port Glass	55	.75
PS-424	Wired Glass for Magazine Observation Port	55	.75
PS-425	Screw to attach Frame to Door	55	.05
PS-426	Nut for PS-425 Screw	55	.05
PS-430	Hinge Pin	55	.15
PS-1553	Lower Magazine Body	55	7.50
PS-1554	Lower Magazine Body Cover	55	4.00
PS-1555	Lower Magazine Spider	55	12.50
<u>Assembled Units</u>			
PS-740-C	Fire Trap Rollers	55	11.00
SF-435	Set Screw for Door Knob	55	.10
SF-456	Screw for Door Catch (large)	55	.05
TU-453	Pulley & Hub for TU-707-C Take-UP	55	7.25
TU-454	Gripping Disc for TU-453 Pulley & Hub	55	2.20
TU-455	Reel Shaft for TU-707-C Take-UP	55	3.00
TU-456	Bearing Shaft for TU-455 Reel Shaft	55	3.75
TU-457	Gripping Ring for TU-454 Gripping Disc	55	.50
TU-458	Reel Latch for TU-455 Shaft	55	.50
TU-459	Pin for TU-458 Reel Latch	55	.10
TU-460	Plunger for TU-458 Reel Latch	55	.25
TU-461	Spring for TU-458 Reel Latch	55	.25

*Used only in Model "K" Mechanism
 **Used only in Model "HK" Mechanism

***Not illustrated
 ****Not sold separately

MODEL "K" LOWER MAGAZINE (Continued)

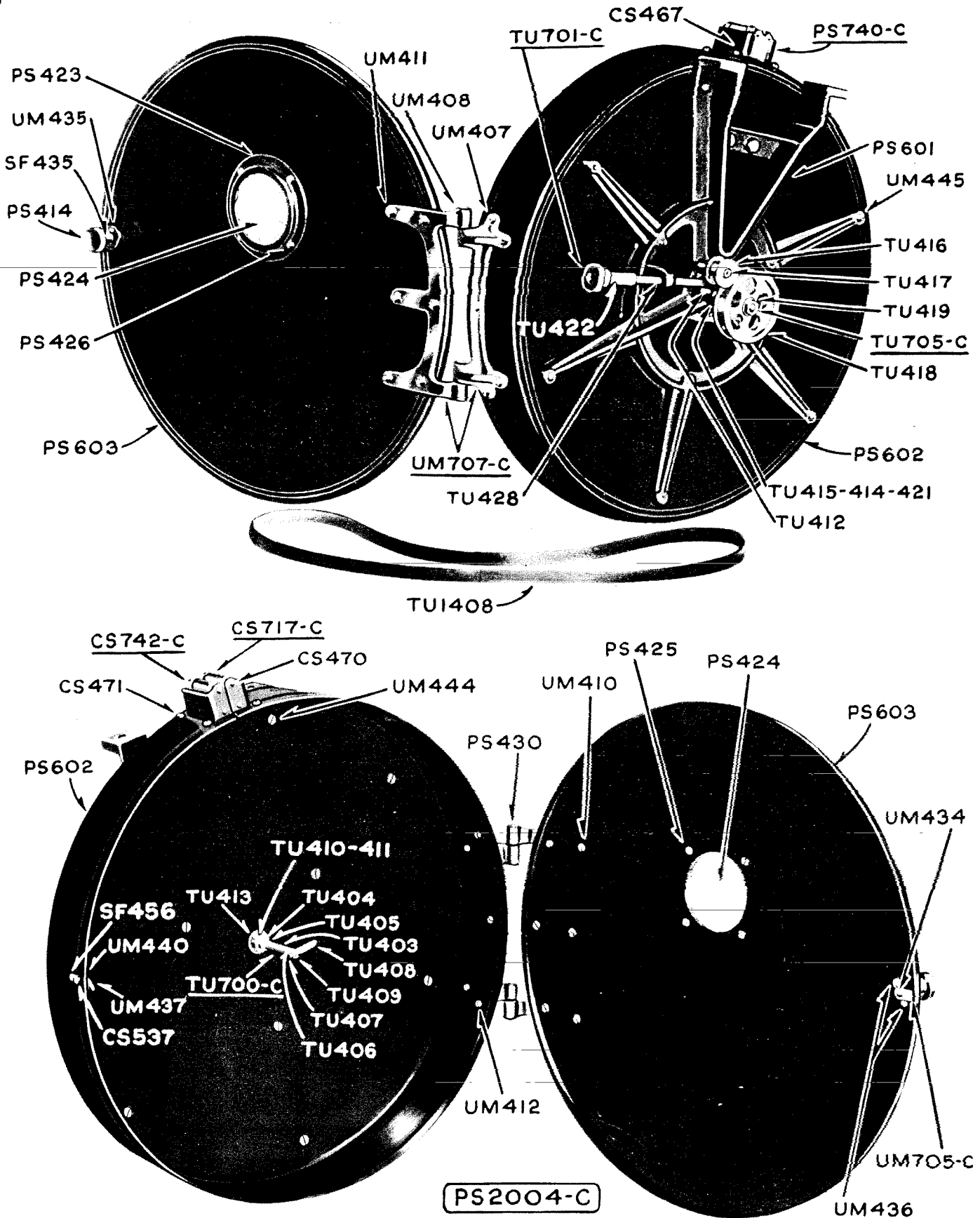
PART NO.	DESCRIPTION	ILLUSTRATION PAGE NO.	UNIT LIST PRICE
TU-462	Staple for TU-455 Reel Shaft	55	.25
TU-463	Collar for TU-455 Reel Shaft	55	.75
TU-464	Washer for TU-463 Collar	55	.25
TU-465	Locking Collar for TU-454 Gripping Disc	55	1.00
TU-466	Tension Spring for TU-454 Gripping Disc	55	.15
TU-467	Adjusting Nut for TU-454 Gripping Disc	55	.50
TU-468	Ball Bearing for Bearing Shaft	55	2.20
TU-470	Set Screw (short) for TU-463 Collar	***	.10
TU-471	Set Screw (long) for TU-463 Collar	***	.10
TU-472	Set Screw for TU-465 Locking Collar	***	.10
TU-1420	Take-Up Belt	***	1.50
	<u>Assembled Units</u>		
TU-707-C	Goldé Take-Up (complete)	55	18.00
	###		
UM-407	Body Hinge	55	2.50
UM-408	Cover Hinge	55	2.50
UM-410	Screw for Door Hinge	55	.05
UM-411	Nut for Hinge Screw	55	.05
UM-412	Screw for Body Hinge	55	.05
UM-432	Stud for Door Knob (see UM-705-C)	***	.20
UM-433	Magazine Door Latch (see UM-705-C)	***	.10
UM-434	Spring for Door Latch	55	.15
UM-435	Collar for Door Latch	55	.75
UM-436	Screw for UM-435 Collar	55	.10
UM-437	Door Catch	55	.75
UM-444	Screw to attach Magazine to Spider	55	.05
UM-445	Felt Washer for Spider & Magazine	55	.05
	<u>Assembled Units</u>		
UM-705-C	Magazine Door Latch & Stud	55	.50
UM-707-C	Magazine Door Hinge	55	5.50
	###		

*Used only in Model "K" Mechanism
 **Used only in Model "HK" Mechanism

***Not illustrated
 ****Not sold separately

MODEL "HU" LOWER MAGAZINE

58



MOTIOGRAPH MODEL "HU" LOWER MAGAZINE

MODEL "HU" LOWER MAGAZINE

PART NO.	DESCRIPTION	ILLUSTRATION PAGE NO.	UNIT LIST PRICE
CS-445	Set Screw	***	.10
CS-467	Fire Trap Casting	58	4.50
CS-470	Fire Trap Roller Shaft	58	.15
CS-471	Screw to attach Fire Trap to Magazine	58	.10
CS-488	Screw	***	.05
CS-537	Screw for Catch	***	.10
	<u>Assembled Units</u>		
CS-717-C	Fire Trap Roller (small bore)	58	1.00
CS-742-C	Fire Trap Roller (large bore)	58	1.00
	###		
HS-462	Screw for Catch	***	.05
HS-471	Nut for HS-462 Screw	***	.05
PS-414	Knob for Magazine Door	58	.60
PS-423	Frame for Magazine Observation Port Glass	58	.75
PS-424	Wired Glass for Magazine Observation Port	58	.75
PS-425	Screw to attach Frame to Door	58	.05
PS-426	Nut for PS-425 Screw	58	.05
PS-430	Hinge Pin	58	.15
PS-601	Lower Magazine Spider	58	12.50
PS-602	Lower Magazine Body	58	7.50
PS-603	Lower Magazine Body Cover	58	4.00
	<u>Assembled Units</u>		
PS-740-C	Fire Trap Rollers	58	11.00
	###		
SF-435	Set Screw for Door Knob	58	.10
SF-456	Screw	58	.05
TU-403	Take-Up Shaft	58	2.50
TU-404	Take-Up Shaft Collar	58	.50
TU-405	Take-Up Shaft Staple	58	.15
TU-406	Take-Up Shaft Spring	58	.10
TU-407	Take-Up Shaft Plunger	58	.10
TU-408	Reel Latch	58	.75
TU-409	Pin for Clip	58	.05
TU-410	Ball Bearing Cone	58	1.00

*Used only in Model "K" Mechanism
**Used only in Model "HK" Mechanism

***Not illustrated
****Not sold separately

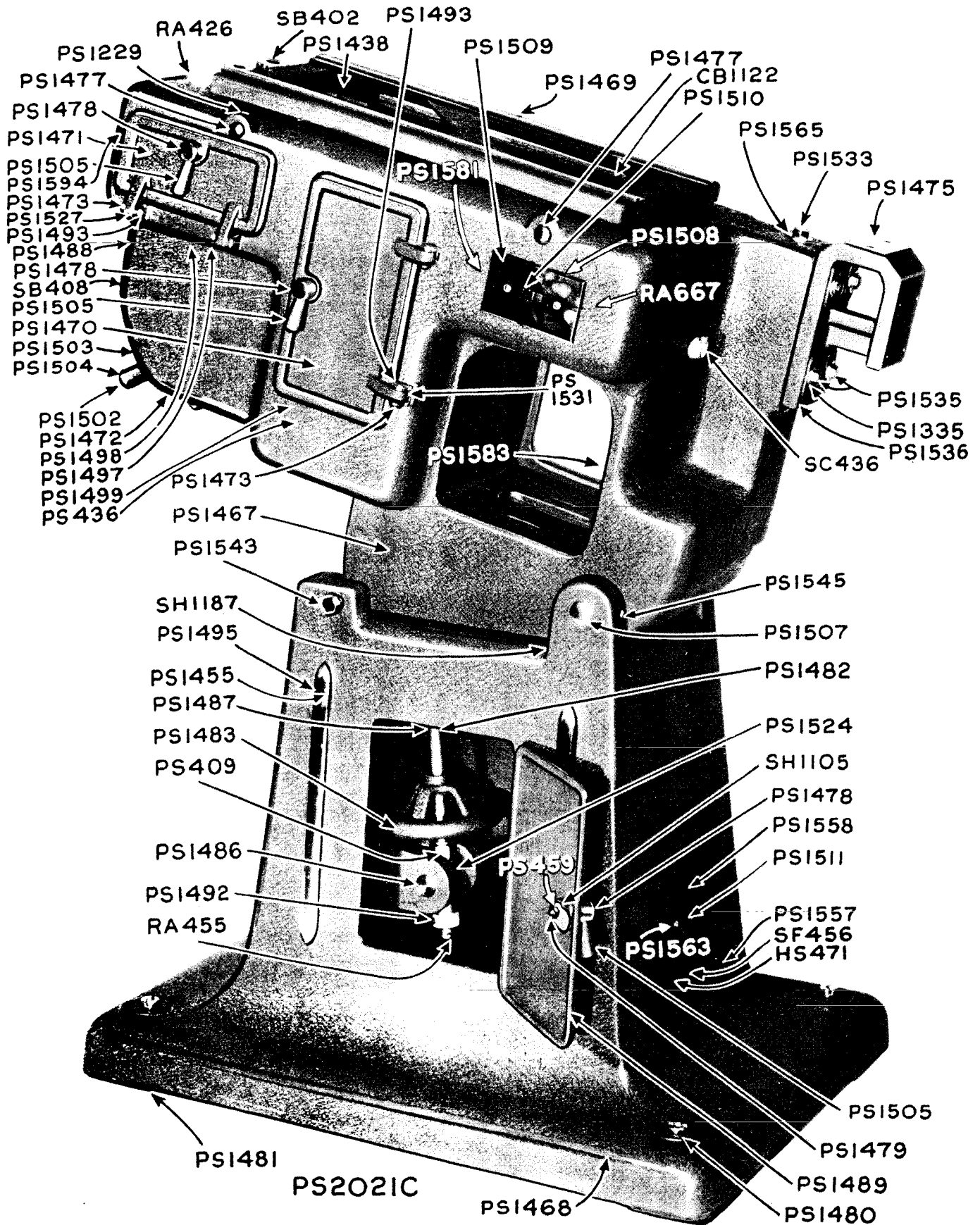
MODEL "HU" LOWER MAGAZINE (Continued)

PART NO.	DESCRIPTION	ILLUSTRATION PAGE NO.	UNIT LIST PRICE
TU-411	Screw for Ball Bearing Cone	58	.05
TU-412	Housing for Ball Bearing	58	2.50
TU-413	Steel Balls (26 to a set)	58	.10
TU-414	Steel Washer	58	.10
TU-415	Idler Pulley Arm	58	1.75
TU-416	Idler Pulley	58	.75
TU-417	Idler Pulley Screw Shaft	58	.75
TU-418	Take-Up Pulley	58	3.50
TU-419	Nut to attach Pulley to Shaft	58	.25
TU-421	Screw to attach Adjusting Rod to Arm	58	.05
TU-422	Thumb Knob for Adjusting Screw Rod	58	.45
TU-423	Stem for Thumb Knob	58	1.00
TU-428	Idler Adjusting Screw Rod	58	1.00
TU-1408	Take-Up Belt	58	1.50
<u>Assembled Units</u>			
TU-700-C	Take-Up Reel Shaft	58	4.00
TU-701-C	Adjusting Knob	58	1.00
TU-705-C	Take-Up Idler Pulley, Arm & Adjusting Knob (complete)	58	18.00
###			
UM-407	Body Hinge	58	2.50
UM-408	Cover Hinge	58	2.50
UM-410	Screw for Door Hinge	58	.05
UM-411	Nut for Hinge Screw	58	.05
UM-412	Screw for Body Hinge	58	.05
UM-432	Stud for Door Knob	***	.20
UM-433	Magazine Door Latch (see UM-705-C)	***	.10
UM-434	Spring for Door Latch	58	.15
UM-435	Collar for Door Latch	58	.75
UM-436	Screw for UM-435 Collar	58	.10
UM-437	Door Catch	58	.75
UM-440	see HS-471		
UM-444	Screw to attach Magazine to Spider	58	.05
UM-445	Felt Washer between Spider & Magazine	58	.05
<u>Assembled Units</u>			
UM-705-C	Magazine Door Latch & Stud	58	.50

*Used only in Model "K" Mechanism
 **Used only in Model "HK" Mechanism

***Not illustrated
 ****Not sold separately

MODEL "K" PROJECTOR STAND



MOTIOGRAPH MODEL "K" PROJECTOR STAND

MODEL "K" PROJECTOR STAND

PART NO.	DESCRIPTION	ILLUSTRATION PAGE NO.	UNIT LIST PRICE
UM-707-C	Magazine Door Hinge	58	5.50
GE-1122	Squeeze Connector	61	.30
CS-1352	Patent Plate	***	.50
HS-452	Screw for Outlet Plate	***	.05
HS-471	Nut for SF-456 Screw	61	.05
PS-409	Hexagon Nut	61	.25
PS-436	Screw for PS-1499 Plate	61	.10
PS-459	Hexagon Nut for Hinge Screw	61	.05
PS-1229	Hollow Head Set Screw	61	.15
PS-1231	Wrench for PS-1229 Screw	***	.15
PS-1335	Washer for Motor Plate Screw	61 - 73	.10
PS-1438	Screw to attach Motor to Motor Plate	61	.20
PS-1455	Hexagon Nut	61	.05
PS-1467	Main Support Frame	61	140.00
PS-1468	Floor Base	61	90.00
PS-1469	Carriage for Arc Lamp	61	20.00
PS-1470	Main Frame Large Door	61	5.00
PS-1471	Main Frame Small Door	61	4.25
PS-1472	Main Frame Switch Door	61	6.00
PS-1473	Hinge Bracket for Doors	61	.75
PS-1475	Sound Reproducer Mounting Bracket	61	10.00
PS-1477	Lamp Carriage Slide Rod	61	1.00
PS-1478	Door Knob	61	1.00
PS-1479	Door Catch	61	.25
PS-1480	Leveling Screw	61	1.00
PS-1481	Leveling Socket	61	.50
PS-1482	Tilting Screw	61	2.00
PS-1483	Tilting Screw Hand Wheel	61	4.00
PS-1486	Lower Pivot Rod for Floor Base	61	1.00
PS-1487	Upper Pivot Rod for Main Frame	61	1.00
PS-1488	Door Knob for Switch Door	61	.75
PS-1489	Door for Floor Base	61	5.00
PS-1492	Locking Collar for Tilting Screw	61	1.25
PS-1493	Hinge Pin for PS-1473 Hinge Bracket	61	.20

*Used only in Model "K" Mechanism
 **Used only in Model "HK" Mechanism.

***Not illustrated
 ****Not sold separately

MODEL "K" PROJECTOR STAND

PART NO.	DESCRIPTION	ILLUSTRATION PAGE NO.	UNIT LIST PRICE
PS-1495	Stripe for Floor Base	61	1.50
PS-1497	Spacer Washer for Arc Switch	61	.25
PS-1498	Cover Plate for Compartment (small)	61	1.00
PS-1499	Cover Plate for Tool Compartment (large)	61	2.00
PS-1502	Arc Switch Handle	61	.75
PS-1503	Arc Switch Handle Lock Collar	61	.50
PS-1504	Arc Switch Handle Mounting Screw	61	.60
PS-1505	Handle for Door Knobs	61	.25
PS-1507	Swivel Rod	61	1.75
PS-1508	Motor Switch Box	61	.50
PS-1509	Motor Switch Box Plate	61	1.00
PS-1510	Motor Switch	61	3.50
PS-1511	Convenience Outlet in Base	61	.80
PS-1519	Flexible Armored Cable for Motor Leads	***	.50
PS-1520	Flexible Conduit	***	.50
PS-1522	Wire for Connections	***	.25
PS-1523	Wire for Connections	***	.25
PS-1524	Ball Bearing End Thrust for Tilting Device	61	.75
PS-1525	Screw to Lock PS-1469 Carriage to PS-1477 Slide Rod (same as PS-1438)	61	.20
PS-1526	Screw to lock PS-1477 Slide Rod to PS-1467 Support Frame (same as PS-1229)	61	.15
PS-1527	Screw to attach SB-408 Switch to PS-1467 Support Frame	61	.10
PS-1528	Hexagon Nut for PS-1527 Screw (same as PS-459)	***	.10
PS-1531	Screw to attach PS-1473 Hinge Bracket to PS-1467 Support Frame & PS-1468 Base	61	.05
PS-1532	Hexagon Nut for PS-1531 Screw (same as PS-459)	***	.10
PS-1533	Screw to adjust PS-1475 Sound Reproducer Mounting Bracket	61	.40
PS-1535	Screw to mount PS-1475 Sound Reproducer Mounting Bracket on Main Frame	61	.20
PS-1536	Guide Pin	61	.10
PS-1537	Screw to mount Sound Reproducer on PS-1475 Mounting Bracket (large)(same as PS-1460)	***	.20
PS-1538	Screw to mount Sound Reproducer on PS-1475 Mounting Bracket (small)(same as PS-1461)	***	.20

*Used only in Model "K" Mechanism
 **Used only in Model "HK" Mechanism

***Not illustrated
 ****Not sold separately

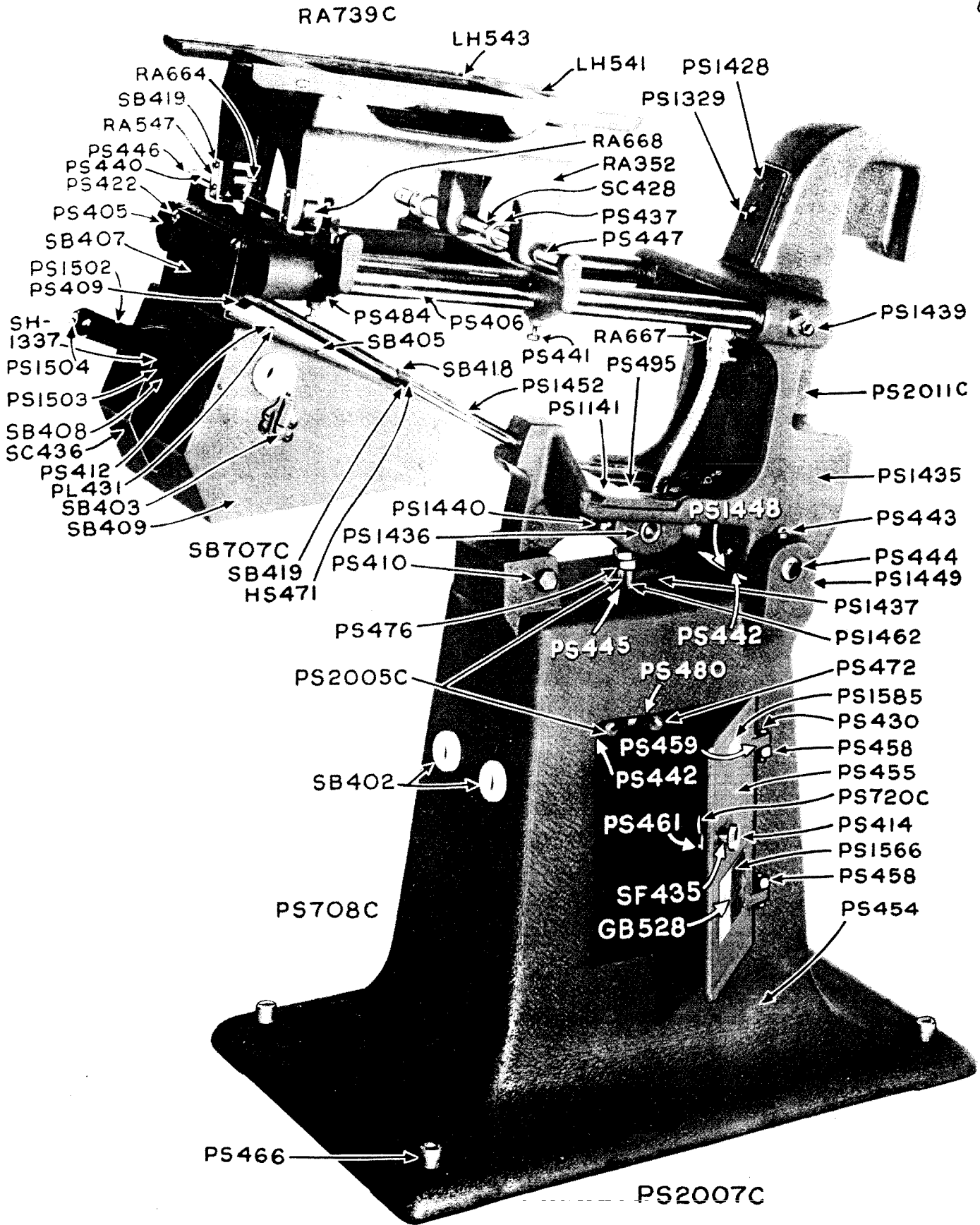
MODEL "K" PROJECTOR STAND (Continued)

PART NO.	DESCRIPTION	ILLUSTRATION PAGE NO.	UNIT LIST PRICE
PS-1543	Screw to clamp PS-1468 Floor Base to PS-1467 Main Support Frame	61	.35
PS-1544	Hexagon Nut to mount PS-1495 Strip on PS-1468 Floor Base (same as PS-1455)	61	.05
PS-1545	Hollow Head Set Screw	61	.20
PS-1557	Main Frame Connection Box	61	2.25
PS-1558	Main Frame Connection Box Cover	61	1.25
PS-1563	Screw to mount Outlet Switch	61	.05
PS-1565	Washer for PS-1533 Screw	61	.05
PS-1566	Motiograph Name Plate	***	.50
PS-1579	Leveling Wrench	***	1.00
PS-1581	Clamping Strip	61	.15
PS-1582	Drive Screw	***	.05
PS-1583	Flexible Armored Cable connecting Motor Switch	61	.60
PS-1586	Model Plate	***	.25
PS-1593	Screw to attach Sound Reproducer to PS-1475 Mounting Bracket	70 - 72	.25
PS-1594	Steel Strip for Switch Cover	61	.25
RA-426	Porcelain Bushing (small)	61	.20
RA-455	Cotter Pin for PS-1482 Screw	61	.05
RA-667	Conduit Elbow	61	.50
SB-402	Porcelain Bushing (large)	61	.30
SB-408	100 Amp. Switch	61	7.50
SC-436	Conduit Bushing	61	.20
SF-456	Screw	61	.05
SH-1105	Spring for Door Knob	61	.10
SH-1187	Set Screw to lock PS-1507 Swivel Rod	61	.15

*Used only in Model "K" Mechanism
 **Used only in Model "HK" Mechanism

***Not illustrated
 ****Not sold separately

MODEL "HU" PROJECTOR STAND



MOTIOGRAPH MODEL "HU" PROJECTOR STAND

MODEL "HU" PROJECTOR STAND

PART NO.	DESCRIPTION	ILLUSTRATION PAGE NO.	UNIT LIST PRICE
LH-541	Lamphouse Support Plate	65	12.00
LH-543	Lamphouse Support Plate Screw	65	.10
GB-528	Drive Screw for Name Plate	65	.05
HS-471	Hexagon Nut	65	.05
PL-431	Washer for SB-405 Screw	65	.05
PS-405	Small Socket Casting	65	6.00
PS-406	Support Rod for Lamphouse Carriage	65	3.50
PS-409	Hexagon Nut	65	.25
PS-410	Screw to attach Socket Casting to Magazine	65	.25
PS-412	Screw for Switch Box Plate	65	.10
PS-414	Knob for Base Door	65	.60
PS-430	Hinge Pin for Base Door	65	.15
PS-436	Screw for Round Track Rod	***	.10
PS-437	Set Collar for Round Track Rod	65	.60
PS-440	Screw for Flat Track Rod	65	.10
PS-441	Thumb Screw for Lower Carriage	65	.30
PS-442	Screw to attach Swivel Rod to Base	65	.10
PS-443	Screw to attach Swivel Rod to Base	65	.10
PS-444	Tilting Swivel Rod	65	2.00
PS-445	Adjusting Screw Pivot Rod	65	1.50
PS-446	Flat Track Rod (short)	65	3.00
PS-447	Round Track Rod (short)	65	3.00
PS-454	Floor Base	65	75.00
PS-455	Floor Base Door	65	5.00
PS-457	Floor Base Door Catch (see PS-720-C)	***	.15
PS-458	Hinge Stud for Floor Base	65	.60
PS-459	Hexagon Nut for Hinge Stud	65	.05
PS-461	Stop Pin for Base Door	65	.05
PS-466	Leveling Plug for Base	65	.75
PS-472	Tilting Screw Hand Wheel	65	1.75
PS-476	Hexagon Nut for Collar Lock	65	.25
PS-480	Taper Pin for Hand Wheel	65	.10
PS-484	Lower Lamphouse Carriage	65	10.00
PS-495	Adjusting Screw Collar	65	.50

*Used only in Model "K" Mechanism
 **Used only in Model "HK" Mechanism

***Not illustrated
 ****Not sold separately

MODEL "HU" PROJECTOR STAND (Continued)

PART NO.	DESCRIPTION	ILLUSTRATION PAGE NO.	UNIT LIST PRICE
PS-1141	Dowel Pin	65	.10
PS-1329	Motor Switch	65	4.00
PS-1428	Cover for PS-1329 Switch	65	.55
PS-1435	Gooseneck Support Casting	65	75.00
PS-1436	Bearing Bushing for Tilting Screw	65	1.00
PS-1437	Adjusting Screw Pivot	65	3.00
PS-1439	Screw for PS-406 Support Rod	65	.20
PS-1440	Screw for Bushing	65	.20
PS-1448	Flexible Conduit 6" long	65	.35
PS-1449	Brewery Cord 36" long	65	.15
PS-1452	Diagonal Brace Rod	65	2.00
PS-1462	Tilting Device Adjusting Screw	65	1.75
PS-1502	Arc Switch Handle	65	.75
PS-1503	Arc Switch Handle Lock Collar	65	.50
PS-1504	Arc Switch Handle mounting Screw	65	.60
PS-1566	Name Plate	65	.50
PS-1579	Leveling Wrench	***	1.00
PS-1585	Model Plate	65	.25
<u>Assembled Units</u>			
PS-708-C	Floor Base	65	100.00
PS-720-C	Latch & Stud for Floor Base Door	65	.75
PS-2005-C	Tilting Device	65	8.50
PS-2011-C	Gooseneck (complete)	65	85.00
###			
RA-352	Lamphouse Carriage	65	14.00
RA-547	Clamp to attach Lamp Carriage to Flat Track Rod	65	.75
RA-664	Roller Shaft	65	.10
RA-667	Conduit Elbow	65	.50
RA-668	Roller for Adaptor Casting	65	.75
<u>Assembled Units</u>			
RA-739-C	Lamphouse Adaptor (complete)	65	25.00
###			

*Used only in Model "K" Mechanism
**Used only in Model "HK" Mechanism

***Not illustrated
****Not sold separately

MODEL "HU" PROJECTOR STAND (Continued)

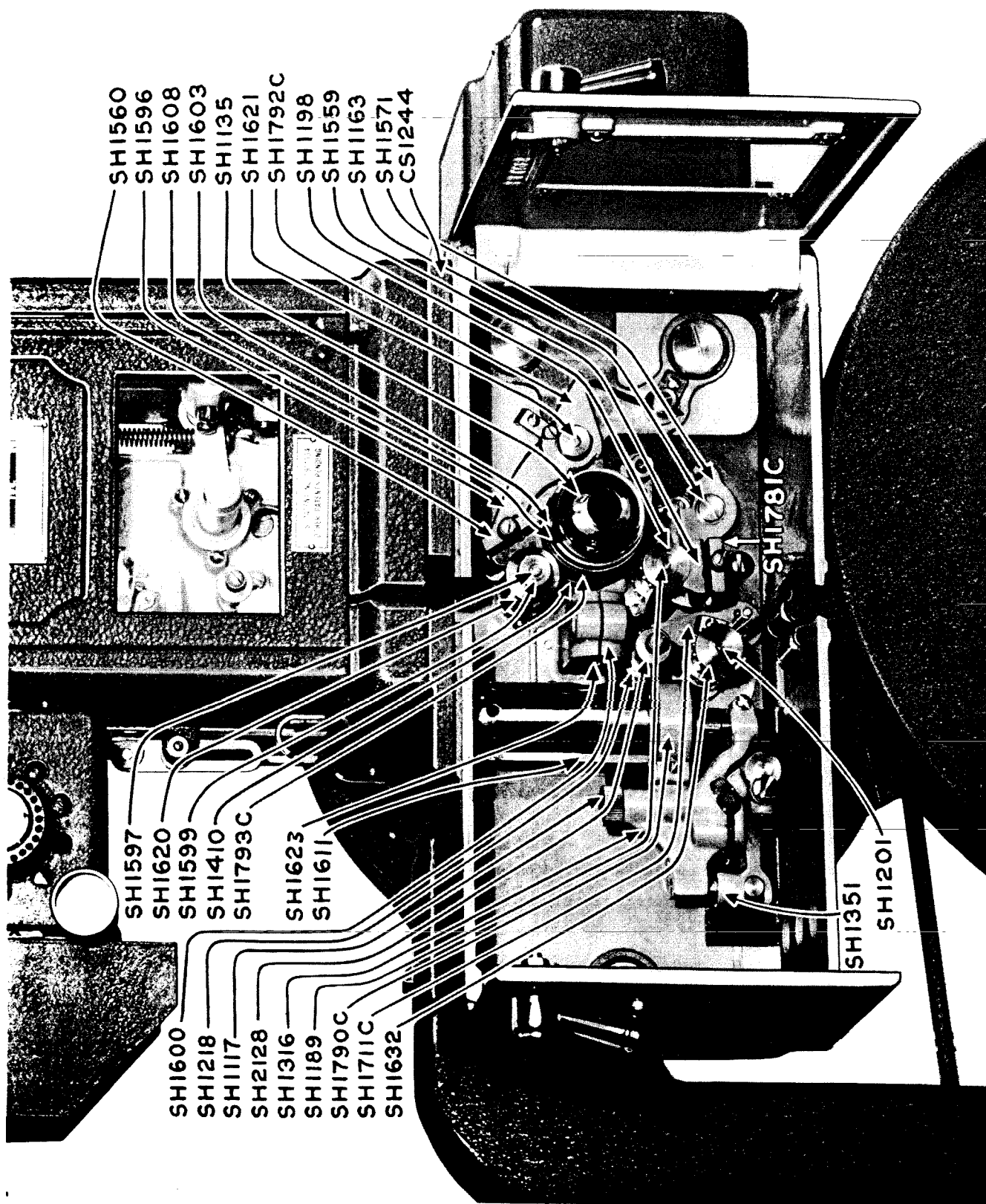
PART NO.	DESCRIPTION	ILLUSTRATION PAGE NO.	UNIT LIST PRICE
SB-402	Porcelain Bushing	65	.30
SB-403	Switch Box Lock	65	.25
SB-404	Nut to attach Switch Box (same as HS-471)	***	.10
SB-405	Screw to attach Switch to Box	65	.10
SB-407	Switch Box Support Plate	65	1.75
SB-408	100 Amp. Switch	65	7.50
SB-409	Switch Box	65	12.00
SB-418	Switch Box Bracket	65	.25
SB-419	Screw for Bracket	65	.05
	<u>Assembled Units</u>		
SB-707-C	Switch Box, Switch & Bushings	65	27.00
	###		
SC-428	Set Screw for Collar	65	.10
SC-436	Conduit Bushing	65	.20
SH-1337	Lock Washer	65	.05
SF-435	Set Screw for PS-414 Door Knob	65	.10
UM-432	Stud for PS-457 Latch (see PS-720-C)	***	.20

*Used only in Model "K" Mechanism
 **Used only in Model "HK" Mechanism

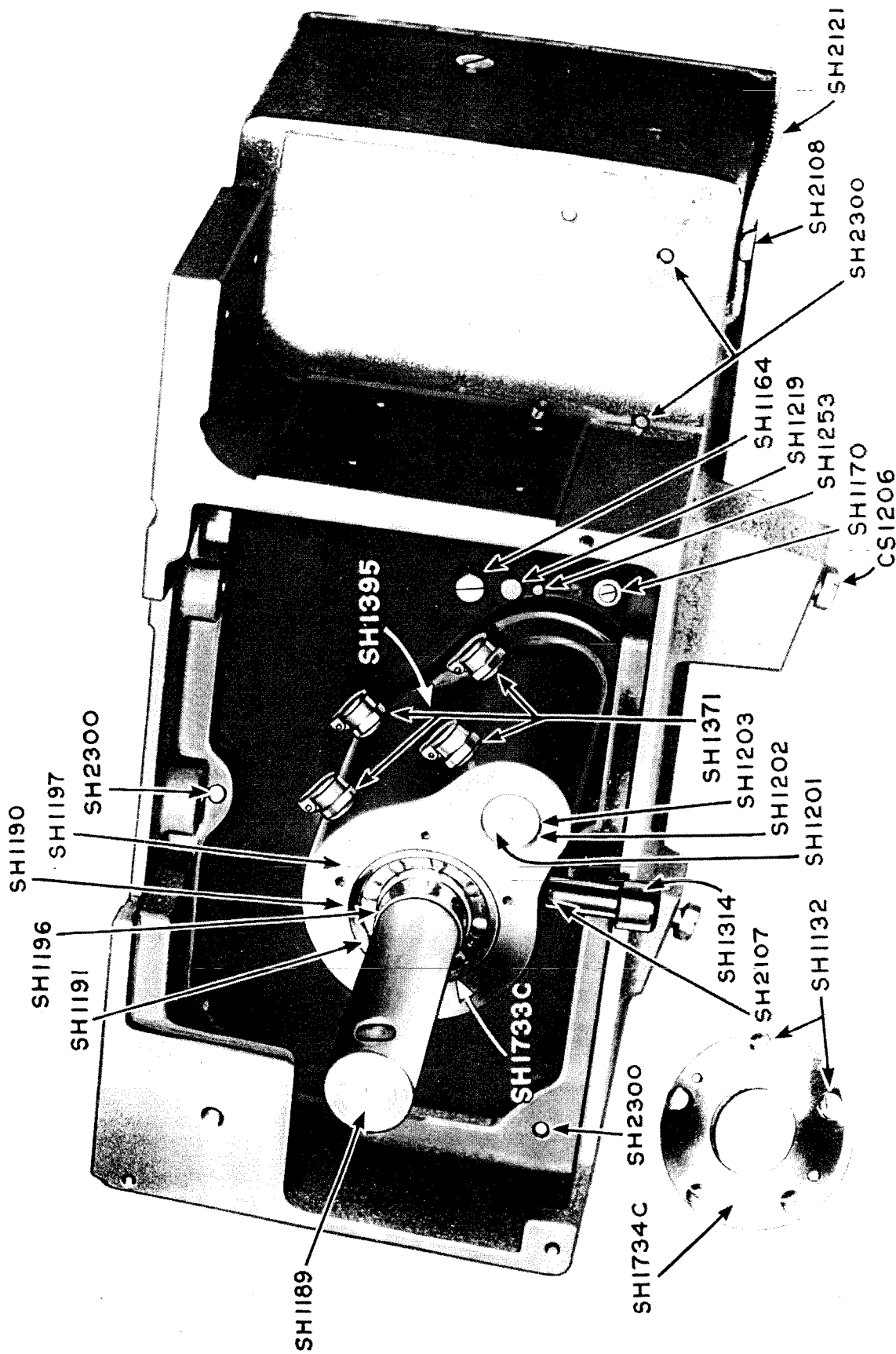
***Not illustrated
 ****Not sold separately

MODEL "MK" MIRROPHONIC SOUND REPRODUCER

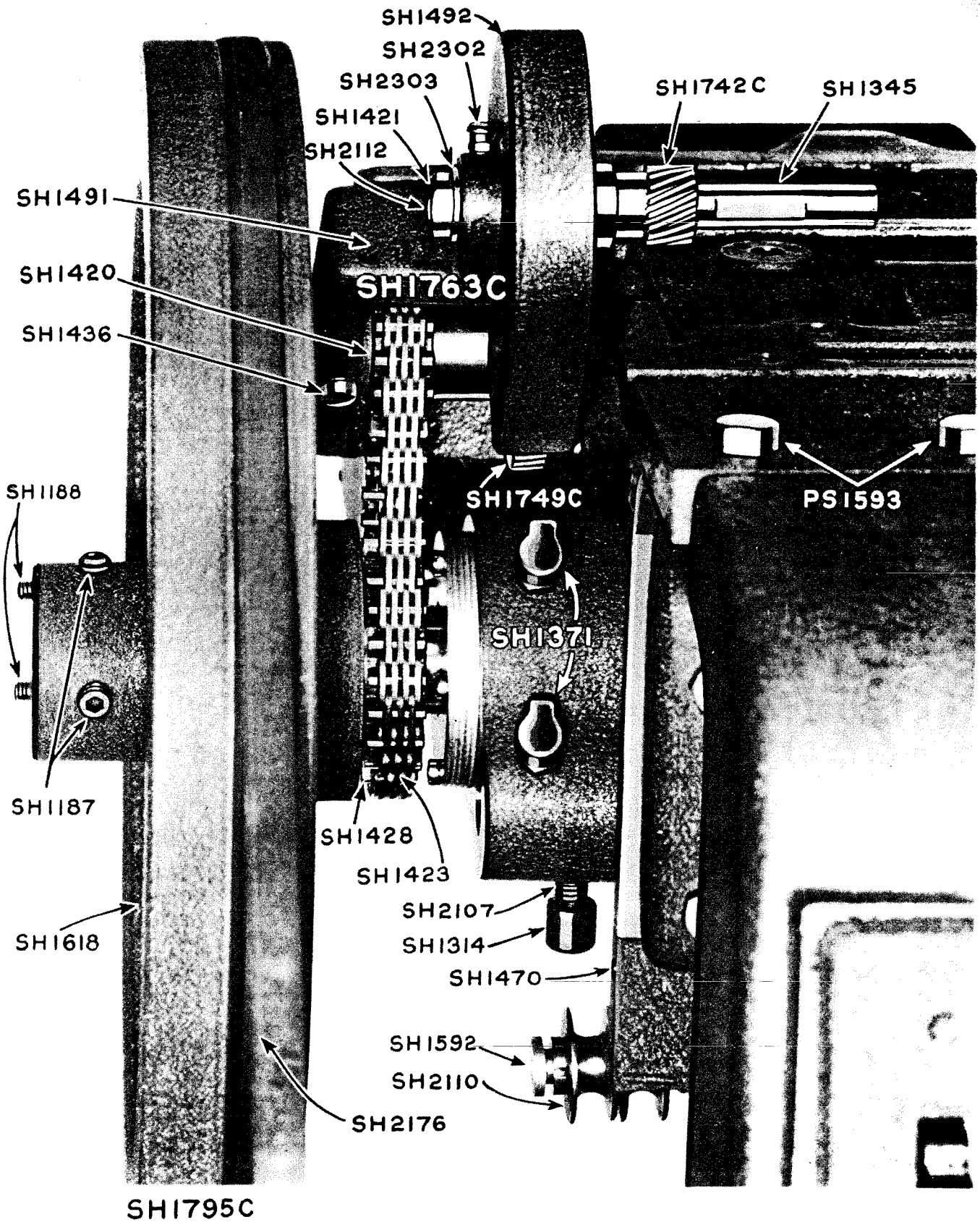
69



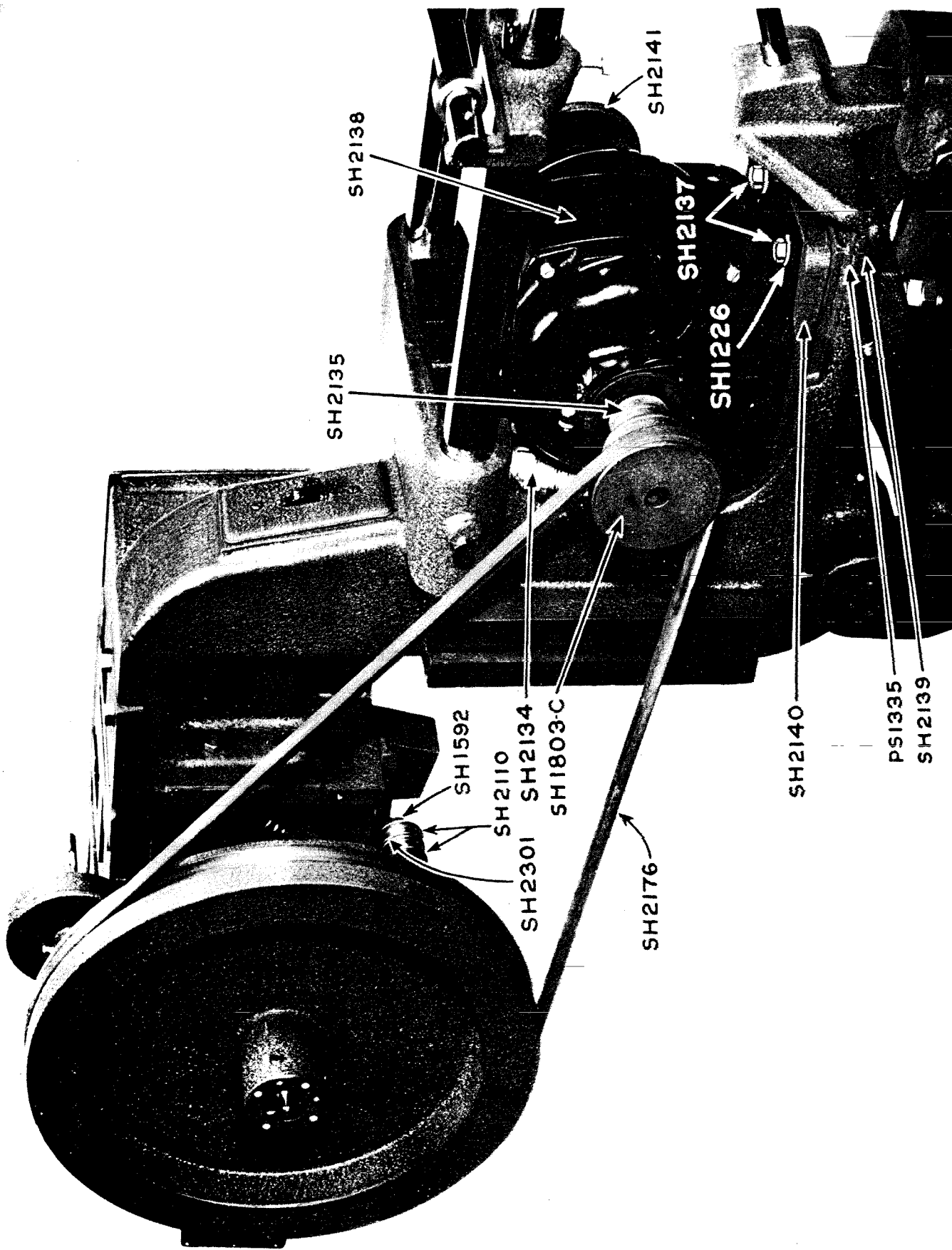
MOTIOGRAPH MODEL "MK" MIRROPHONIC SOUND REPRODUCER
Operating Side View



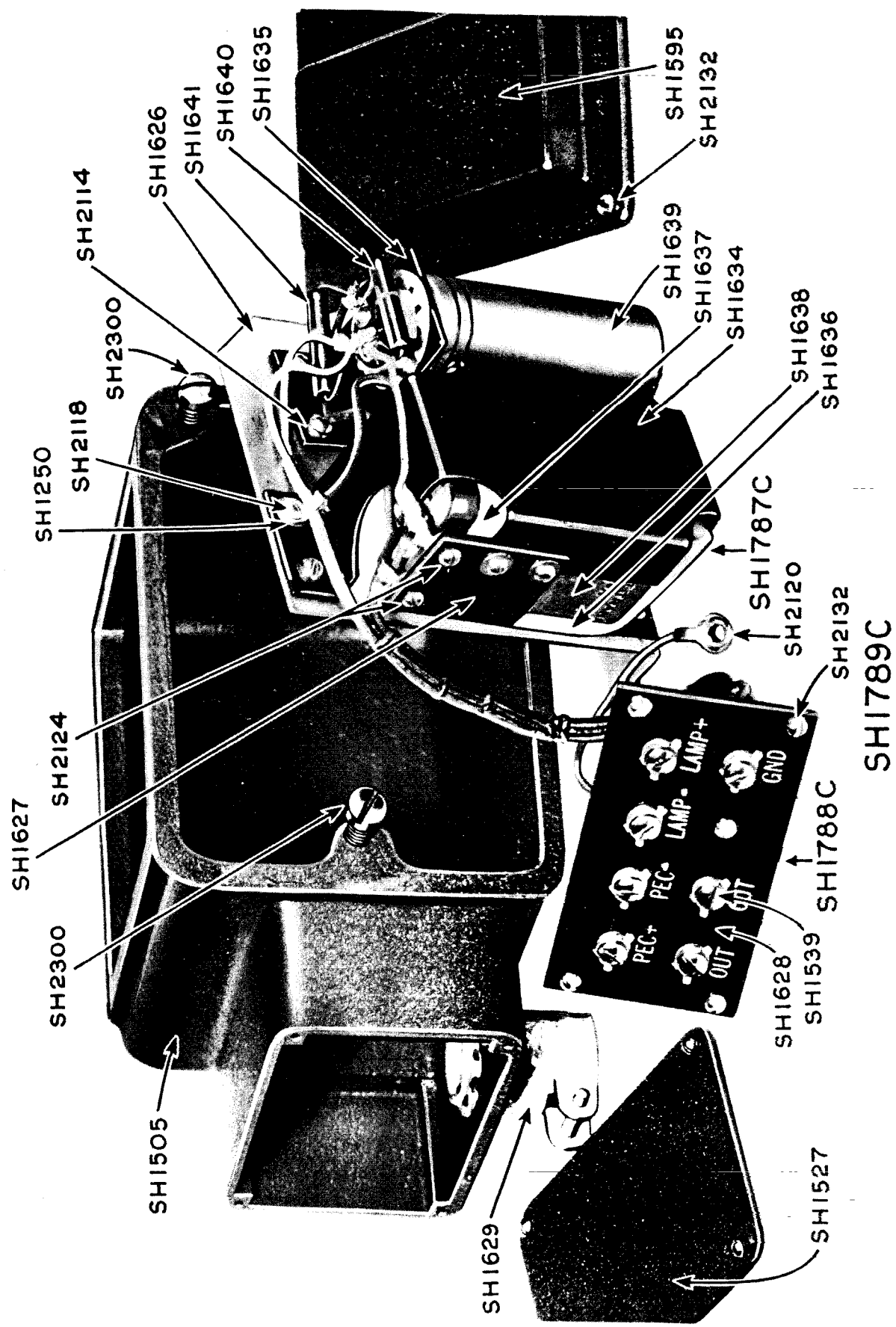
MOTIOGRAPH MODEL "MK" MIRRORPHONIC SOUND REPRODUCER
Less Flywheel
Drive Side View



MOTIGRAPH MODEL "MK" MIRROPHONIC SOUND REPRODUCER
MECHANISM DRIVE



MOTIOPHON MODEL "MK" MIRROPHONIC SOUND REPRODUCER MOTOR AND FLYWHEEL



MOTOGRAPH MODEL "MK" MIRROPHONIC SOUND REPRODUCER COUPLING UNIT

MODEL "MK" MIRROPHONIC SOUND REPRODUCER

PART NO.	DESCRIPTION	ILLUSTRATION PAGE NO.	UNIT LIST PRICE
SH-1104	Door Latch	70	.25
SH-1105	Door Latch Spring	70	.05
SH-1106	Door Hinging Screw	70	.10
SH-1117	Vertical Adjusting Screw for Exciter Lamp Bracket	69 - 70	.20
SH-1120	Dowel Pin for Lens Mounting Bracket	70	.05
SH-1123	Exciter Lamp Socket (see SH-1702-C)	***	.70
SH-1124	Exciter Lamp Socket Contact (see SH-1702-C)	***	.10
SH-1125	Exciter Lamp Socket Bushing (counterbored) (see SH-1702-C)	***	.10
SH-1126	Exciter Lamp Socket Bushing (plain) (see SH-1702-C)	***	.10
SH-1127	Exciter Lamp Bracket Coil Spring (see SH-1702-C)	***	.05
SH-1128	Clip for Contact Plunger (see SH-1702-C)	***	.05
SH-1132	Screw	71	.05
SH-1135	Photo-Electric Cell	69	6.00
SH-1159	Handle Screw for Tension Pad	70	.15
SH-1163	Guide Roller & Tension Pad Lever Screw	69 - 70	.10
SH-1164	Nut for SH-1163 Screw	70 - 71	.20
SH-1166	Lever for Film Guide Roller	70	1.75
SH-1169	Spring for Roller Lever	70	.20
SH-1170	Lever Spring Stud	70 - 71	1.25
SH-1171	Washer for SH-1170 Stud	70	.10
SH-1172	Screw to lock Washer	***	.05
SH-1187	Set Screw for Fly-Wheel	72	.10
SH-1188	Lock Screw for Set Screw	70 - 72	.10
SH-1189	Main Shaft	69 - 70 - 71	12.00
SH-1190	Main Shaft Bearing (small)	71	2.00
SH-1191	Main Shaft Bearing (large)	71	2.00
SH-1194	Felt Retainer for Main Bearing (small) (see SH-1734-C)	***	.15
SH-1195	Felt Retainer for Main Bearing (large) (see SH-1733-C)	***	.10
SH-1196	Spacer for Bearings	71	3.00
SH-1197	Steel Hold-Back Drive Gear	71	4.00
SH-1198	Sound Sprocket	69 - 70	5.00
SH-1199	Taper Screw for Sound Sprocket	70	.10

*Used only in Model "K" Mechanism

**Used only in Model "HK" Mechanism

***Not illustrated

****Not sold separately

MODEL "MK" MIRROPHONIC SOUND REPRODUCER (Continued)

PART NO.	DESCRIPTION	ILLUSTRATION PAGE NO.	UNIT LIST PRICE
SH-1201	Hold-Back Sprocket Shaft	69 - 70 - 71	6.00
SH-1202	Bearing Bushing for Hold-Back Sprocket Shaft (large)	71	1.25
SH-1203	Bearing Bushing for Hold-Back Sprocket Shaft (small)	71	1.25
SH-1208	Gear Cover Plate	70	.35
SH-1209	Screw to attach Cover Plate	70	.05
SH-1215	Support Casting for Stripper Plate Details	70	1.50
SH-1216	Stripper Plate Post	70	.50
SH-1217	Retaining Clamp	70	.20
SH-1218	Guide Roller Shaft	69	.35
SH-1219	Eccentric Stop Stud	70 - 71	.40
SH-1224	Retaining Clamp for Spring Stud	70	.20
SH-1226	Washer for Motor Mounting Screw	73	.10
SH-1246	Screw to attach Felt Retainer to Main Frame Mounting Plate	***	.05
SH-1247	Screw to attach Small Retainer to Main Frame Mounting Plate		.05
SH-1250	Terminal	74	.05
SH-1251	Screw to secure Shaft in Film Guide Roller Lever	***	.05
SH-1252	Screw for SH-1224 Clamp	***	.05
SH-1253	Screw to clamp Eccentric Stop Stud	70 - 71	.05
SH-1257	Ruby Glass for Exciter Lamp Door	70	.35
SH-1265	Wrench for SH-1187 Set Screw	***	.10
SH-1314	Cap for SH-2107 Nipple	71 - 72	.10
SH-1316	Exciter Lamp Bracket (upper member)	69 - 70	2.50
SH-1317	Stripper Plate	70	.25
SH-1320	Vertical Shaft for Exciter Lamp Bracket	70	.35
SH-1321	Guide Shaft for Exciter Lamp Bracket	70	.10
SH-1322	Thumb Screw for locking Exciter Lamp Horizontal Adjustment	70	.20
SH-1324	Leaf Spring for Vertical Adjusting Screw	70	.15
SH-1325	Screw to attach Leaf Spring	***	.05
SH-1326	Clamping Screw for Exciter Lamp Socket	70	.05
SH-1332	Screw to clamp SH-1612 Exciter Lamp Shield Support Band	70	.05

*Used only in Model "K" Mechanism
 **Used only in Model "HK" Mechanism

***Not illustrated
 ****Not sold separately

MODEL "MK" MIRROPHONIC SOUND REPRODUCER (Continued)

PART NO.	DESCRIPTION	ILLUSTRATION PAGE NO.	UNIT LIST PRICE
SH-1337	Lock Washer	***	.05
SH-1345	Shaft for SH-1742-C Gear	70 - 72	6.50
SH-1351	Exciter Lamp Bracket (lower member)	70 - 69	2.50
SH-1371	Oil Cup for Sound Support	71 - 72	.25
SH-1395	Sound Reproducer Main Frame Mounting Plate	71	25.00
SH-1399	Contact Spring for Exciter Lamp	70	.20
SH-1410	Dowel Pin for Aperture Cylinder	69	.05
SH-1420	Shaft for SH-1741-C Gear & Sprocket	72	1.00
SH-1421	Special Nut for SH-1345 Shaft	72	.05
SH-1423	Mechanism Drive Chain	72	4.00
SH-1424	Screw to attach SH-1491 Bracket to Sound Reproducer	***	.10
SH-1425	Washer for SH-1424 Screw	***	.05
SH-1428	Twenty-Two Tooth Sprocket for Mechanism Drive	72	6.00
SH-1432	Round Take-Up Belt (for Simplex Projector)	***	.85
SH-1433	Screw to attach SH-1428 Sprocket to Flywheel	***	.10
SH-1436	Screw to attach SH-1420 Shaft to SH-1491 Bracket	70 - 72	.05
SH-1437	Screw to attach Guard to SH-1491 Bracket	***	.05
SH-1438	Belt Clip	***	.05
SH-1439	Washer for SH-1437 Screw	***	.05
SH-1452	Set Screw for SH-1420 Shaft (same as SH-1436)	***	.10
SH-1466	Coil Spring for Exciter Lamp Bracket	70	.05
SH-1470	Bracket for Take-Up Belt Idler	72	1.00
SH-1471	Door Knob	70	.75
SH-1487	Sound Reproducer Housing	70	37.50
SH-1488	Door (small)	70	6.00
SH-1489	Door (large)	70	7.50
SH-1491	Gear Bracket	70 - 72	7.50
SH-1492	Gear Guard for SH-1491 Bracket	72	1.75
SH-1505	Coupling Unit Housing	74	12.00
SH-1513	Rubber Bushing for SH-1622 Mounting Plate	70	.15
SH-1515	Shoulder Screw for SH-1622 Mounting Plate	70	.50
SH-1527	Terminal Cover Plate for Coupling Unit Housing	74	.65
SH-1539	Terminal Screw	74	.05

*Used only in Model "K" Mechanism
 **Used only in Model "HK" Mechanism

***Not illustrated
 ****Not sold separately

MODEL "MK" MIRROPHONIC SOUND REPRODUCER (Continued)

PART NO.	DESCRIPTION	ILLUSTRATION PAGE NO.	UNIT LIST PRICE
SH-1559	Film Tension Shoe	69 - 70	1.50
SH-1560	Tension Plate for SH-1559 Tension Shoe	69 - 70	2.75
SH-1561	Shoulder Screw for SH-1559 Tension Shoe	70	.10
SH-1562	Coil Spring for Shoulder Screw	70	.05
SH-1566	Hexagon Head Set Screw	70	.05
SH-1568	Photo-Electric Cell Lead (2 conductor)	***	1.75
SH-1571	Sound Sprocket Tension Shoe Lever for SH-1560 Tension Plate	69 - 70	2.00
SH-1592	Idler Roller Shaft	72 - 73	1.50
SH-1595	Cover for SH-1505 Housing	74	2.00
SH-1596	Film Roller Tension Shoe Lever	69 - 70	3.75
SH-1597	Shaft for Film Guide Roller (large)	69 - 70	2.75
SH-1598	Bushing for SH-1597 Shaft	70	.75
SH-1599	Collar for SH-1597 Shaft	69 - 70	1.00
SH-1600	Bracket for mounting SH-1623 Lens Assembly	69 - 70	3.50
SH-1601	Shield for Photo-Electric Cell	70	.75
SH-1602	Aperture Cylinder	70	12.00
SH-1603	Sponge Rubber for SH-1601 Shield	69	.45
SH-1604	Gasket for SH-1608 Socket	***	.20
SH-1605	Insulating Washer for SH-1607 Shield	***	.10
SH-1606	Insulating Strip for SH-1607 Shield	***	.20
SH-1607	Shield for SH-1608 Socket	***	.75
SH-1608	Socket (4 prong)	69	.75
SH-1609	Plate for SH-1608 Socket	***	.45
SH-1610	Lock Spring for SH-1608 Socket	***	.35
SH-1611	Exciter Lamp Shield	69 - 70	2.50
SH-1612	Band for Shield (see SH-1790-C)	***	1.00
SH-1613	Guide Pin for SH-1612 Band (see SH-1790-C)	***	.05
SH-1614	Insulating Block	70	2.55
SH-1615	Slide Pin for Insulating Block	70	.10
SH-1616	Slide Rod for Insulating Block (short)	70	.35
SH-1617	Slide Rod for Insulating Block (long)	70	.40
SH-1618	Flywheel for V-Belt Drive	72	20.00
SH-1619	Location Lock Pin for SH-1601	70	.10
SH-1620	Film Guide Roller (large)	69 - 70	8.80

*Used only in Model "K" Mechanism
 **Used only in Model "HK" Mechanism

***Not illustrated
 ****Not sold separately

MODEL "MK" MIRROPHONIC SOUND REPRODUCER (Continued)

PART NO.	DESCRIPTION	ILLUSTRATION PAGE NO.	UNIT LIST PRICE
SH-1621	Shaft for SH-1596 Film Roller Tension Shoe Lever	69 - 70	.75
SH-1622	Cushioned Mounting Plate	70	10.00
SH-1623	Lens Assembly	69	25.00
SH-1624	Exciter Lamp	***	.75
SH-1626	Mounting Plate for SH-1787-C Coupling Unit	74	1.25
SH-1627	Terminal Strip for SH-1638 Transformer	74	.25
SH-1628	Terminal Strip for Coupling Unit	74	.40
SH-1629	3/4" Greenfield Connector	74	.35
SH-1632	Hold-Back Sprocket	69 - 70	5.00
SH-1634	Mounting Shield for Transformer	74	2.00
SH-1635	Bracket for Condenser	74	.75
SH-1636	Felt Transformer Cushion (narrow)	74	.20
SH-1637	Felt Transformer Cushion (wide)	74	.20
SH-1638	Output Transformer	74	15.00
SH-1639	Condenser	74	1.50
SH-1640	Resistor	74	.30
SH-1641	Resistor	74	.30
SH-1642	Lead (yellow) for SH-1787-C Coupling Unit	***	.10
SH-1643	Lead (brown) for SH-1787-C Coupling Unit	***	.10
SH-1645	Washer for SH-1788-C Terminal Strip	***	.05
SH-1647	Cable Clamp for Coupling Unit Cable Form	***	.10
SH-1648	Clamp for SH-1170 Stud	***	.20
SH-1649	Clamp to attach SH-1602 Aperture Cylinder	***	.20
<u>Assembled Units</u>			
SH-1702-C	Exciter Lamp Socket & Bushings	70	1.50
SH-1705-C	Bakelite Hold-Back Sprocket, Driven Gear & Hub	70	5.00
SH-1706-C	Film Guide Roller Lever & Shaft	70	5.00
SH-1711-C	Stripper Plate & Mounting	69	5.00
SH-1733-C	Felt Retainer (small) for Main Shaft	71	1.50
SH-1734-C	Felt Retainer (large) for Main Shaft	71	1.75
SH-1736-C	Stripper Plate & Shaft	***	1.25
SH-1742-C	Forty-Tooth Bakelite Gear & Seventeen-Tooth Pinion	70 - 72	6.00
SH-1749-C	Forty-Tooth Steel Gear & Seventeen-Tooth Chain Sprocket	70 - 72	12.00

*Used only in Model "K" Mechanism
 **Used only in Model "HK" Mechanism

***Not illustrated
 ****Not sold separately

MODEL "MK" MIRROPHONIC SOUND REPRODUCER (Continued)

PART NO.	DESCRIPTION	ILLUSTRATION PAGE NO.	UNIT LIST PRICE
SH-1763-C	Mechanism Drive Assembly (complete)	72	37.50
SH-1765-C	Sound Reproducer Housing & Doors	***	50.00
SH-1781-C	Tension Shoe & Lever for Take-Up Sprocket	69	6.00
SH-1782-C	Sound Reproducer Main Frame Mounting Plate	***	100.00
SH-1787-C	Coupling Unit	74	37.50
SH-1788-C	Coupling Unit Terminal Strip (complete)	74	1.50
SH-1789-C	Coupling Unit (complete)	74	57.50
SH-1790-C	Exciter Lamp Shield Band & Guide Pin	69 - 70	3.00
SH-1791-C	Cushioned Mounting Plate (complete)	***	57.00
SH-1792-C	Tension Shoe & Lever for Film Guide Roller (large) (complete)	69	12.00
SH-1793-C	Aperture Cylinder & Pin	69	12.00
SH-1794-C	Exciter Lamp Insulated Mounting (complete)	70	3.00
SH-1795-C	Flywheel with Twenty-Two Tooth Sprocket	70 - 72	35.00
SH-1797-C	Transformer Terminal Strip (complete)	***	.50
SH-1801-C	Exciter Lamp Bracket (complete)	70	17.50
SH-1803-C	Adjustable Pulley	73	12.50
SH-2100	Stop Screw for Exciter Lamp Bracket	70	.15
SH-2101	Screw to attach SH-1217 Clamp	70	.05
SH-2102	Glass for Door	70	.35
SH-2103	Retaining Clip for Door Glass	70	.05
SH-2104	Lock Screw	***	.05
SH-2105	Set Screw	70	.05
SH-2106	Screw	***	.05
SH-2107	Nipple for SH-1395 Mounting Plate	71 - 72	.10
SH-2108	Cable Clamp for SH-2121 Exciter Lamp Armored Cable	71	.10
SH-2109	Screw for Door Glass Retaining Clip	70	.05
SH-2110	Idler Roller	72 - 73	.55
SH-2111	Brass Slug	70	.35
SH-2112	Taper Plug for SH-1345 Shaft	72	.10
SH-2113	Screw	70	.05
SH-2114	Lock Washer	74	.05
SH-2115	Set Screw	70	.05

*Used only in Model "K" Mechanism
 **Used only in Model "HK" Mechanism

***Not illustrated
 ****Not sold separately

MODEL "MK" MIRROPHONIC SOUND REPRODUCER (Continued)

PART NO.	DESCRIPTION	ILLUSTRATION PAGE NO.	UNIT LIST PRICE
SH-2116	Rivet Pin for Model Plate	***	.05
SH-2117	Screw	***	.05
SH-2118	Screw	70 - 74	.05
SH-2119	Screw	***	.05
SH-2120	Terminal for Ground Lead	74	.05
SH-2121	Armored Exciter Lamp Cable	71	.35
SH-2122	Hexagon Nut	70	.05
SH-2123	Handle for Door	70	.15
SH-2124	Screw	74	.05
SH-2125	Model Plate	***	.20
SH-2126	Screw for SH-1216 Stripper Plate Post	***	.05
SH-2127	Screw	***	.05
SH-2128	Guide Roller	69 - 70	.55
SH-2129	Spacer for SH-2128 Roller	70	.25
SH-2130	Screw	70	.05
SH-2131	Hexagonal Nut	***	.05
SH-2132	Screw	74	.05
SH-2133	Greenfield Connector (straight)	***	.15
SH-2134	Greenfield Connector (90 degree)	73	.35
SH-2135	Hollow Head Set Screw	73	.10
SH-2136	Washer for SH-2139 Screw	***	.10
SH-2137	Hexagon Head Screw	73	.15
SH-2138	Sound Reproducer Motor	73	27.50
SH-2139	Screw to attach Motor to Main Frame	73	.15
SH-2140	Motor Mounting Plate	73	5.25
SH-2141	Hand Wheel for Motor	73	12.50
SH-2176	Drive Belt	70 - 72 - 73	1.50
SH-2300	Main Frame Mounting Screw	71 - 74	.05
SH-2301	Idler Roller Spacer Washer	71 - 73	.05
SH-2302	Oil Cup	72	.30
SH-2303	Drive Shaft Washer	72	.10

*Used only in Model "K" Mechanism
 †Used only in Model "HK" Mechanism

***Not illustrated
 ****Not sold separately

MOTIOGRAPH LUBRICANTS

PART NO.	DESCRIPTION		UNIT LIST PRICE
LP-715-C	Intermittent Movement Lubricant #2 (light).	10 ounce tube	.75
LP-717-C	Shutter Oil (heat resisting)	1 pint can	.50
LP-718-C	Projector Mechanism & Sound Reproducer Oil	1 gallon can	2.50
LP-719-C	Intermittent Movement Lubricant #1 (heavy)	10 ounce tube	.75

###

*Used only in Model "K" Mechanism
 **Used only in Model "HK" Mechanism

***Not illustrated
 ****Not sold separately