

Film-Tech

The information contained in this Adobe Acrobat pdf file is provided at your own risk and good judgment.

These manuals are designed to facilitate the exchange of information related to cinema projection and film handling, with no warranties nor obligations from the authors, for qualified field service engineers.

If you are not a qualified technician, please make no adjustments to anything you may read about in these Adobe manual downloads

www.film-tech.com

J. KILCULLEN DEPT - 43
N.A. LAZANIS

*Spare Parts Catalogue
and Operating Instructions for the*
GAUMONT-KALEE
PROJECTOR MECHANISMS
Models
21, 20, & 19

Re-9-9013

G. A. McLEOD ENTERPRISES
THEATRE EQUIPMENT SERVICE, RENTALS
208 MERTON ST. TORONTO, ONTARIO, CANADA
M4S 1A7 (416) 485-4826

11156 11176 11180
= 111 RUDDER.

01011A 1/8 TAPER PIN ON CAM GEAR - # SCREWS 01026A
CAM GEAR # 21655
INTERMITTENT COVER SCREWS (6) # 01026A
CAM ROLLER # 21868
MALTESE CROSS # 21869
CAM SHAFT ASSEMBLY PARTS
21651 = 21867 = 21868
MALTESE CROSS SLEEVE ASSY. # 21866
CAM PIN 21867
SPINDLE # 21654
SPINDLE SLEEVE # 21653

MASK PLATE HOLDER
FILM RUNNER.

} 02/20271

APR 71
L. Cost 95.96/PAIR

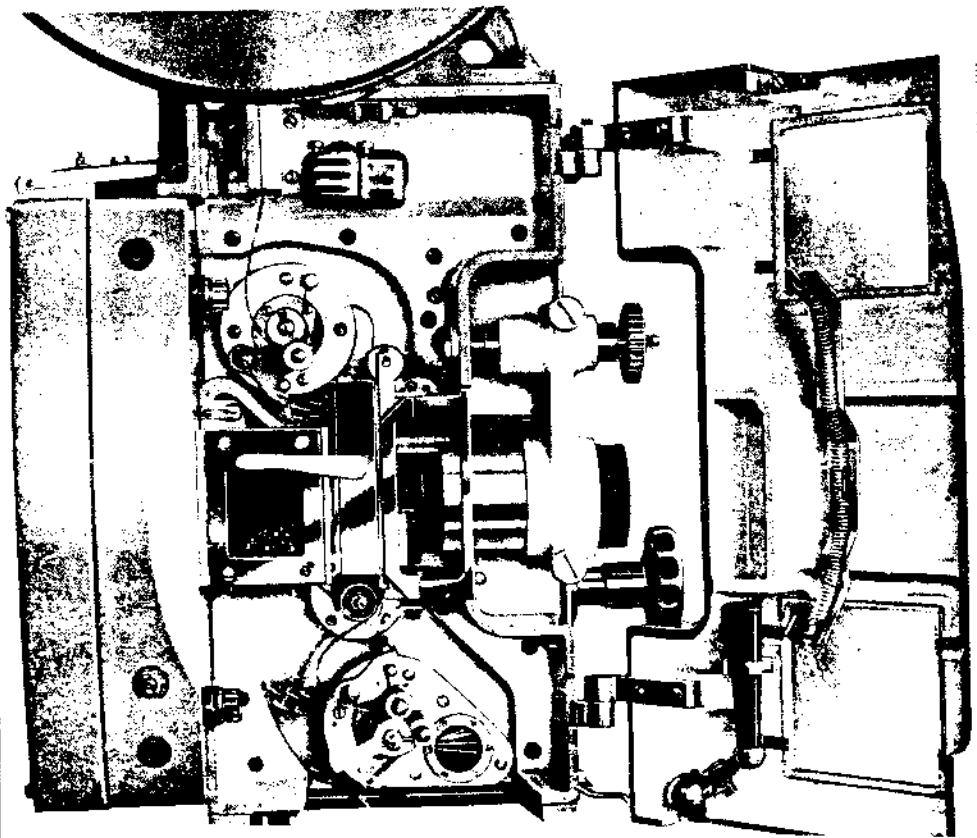
SCREWS
D1026A

PARTS

P.# 21866

53

THE
GAUMONT-KALEE
PROJECTOR MECHANISM



A

GAUMONT-KALEE

PRODUCT

IMPORTANT

HOW TO USE THE SPARE PARTS CATALOGUE

1. When ordering spare parts, always quote the Serial Number of the Projector and the Part Number.
2. This Catalogue supersedes all previous Spare Parts Lists relating to the Gaumont-Kalee Projector Mechanisms, Models " 21 ", " 20 " and " 19 ".
3. On pages 36 to 45 of this Catalogue will be found supplementary Spare Parts Lists referring to the GAUMONT-KALEE Models " 20 " and " 19 " only. Elsewhere, except when specifically stated, spare parts for these Models are interchangeable with those for Model " 21," and are not indicated by special numbers.

PROJECTOR MECHANISM

OILING INSTRUCTIONS

1. Remove large knurled head screw on top of Projector Frame and fill with Kalee "Superoil" to level indicated by white line on Oil Sight Window situated near bottom Projector sprocket.

Note.—Fill with oil after Projector has been set at correct rake and by means of the Masking Knob ensure that the filter inlet of the Cross Box is immediately beneath the oil thrower on the Top Intermittent Gear. This ensures that the Cross Box is filled and that the correct oil sight line is used. The Projector should be filled slowly as all oil passes through the Filter.

2. The Projector may be drained by using either of the two plugs provided at bottom of the Main Casting.

Note.—It is important that old oil be regularly drained out and the projector replenished with clean oil—Kalee "Superoil". It is recommended that the oil be changed fortnightly for the first month and thereafter monthly.

3. Oil all rollers, etc., and carefully wipe off any excess.

OPERATING INSTRUCTIONS

THE GATE (See Plates Nos. 7 and 8)

1. **To Open.**—Turn the handle situated in front of the light cone in an anti-clockwise direction. The gate remains open, until the handle is returned to the horizontal "closed" position.

N.B.—Projector Door cannot be closed whilst Gate is still open.

2. **Gate Plate.**—This assembly, complete with Top Guide Rollers, Pressure Skates, etc., may be removed when the Gate is opened by simply lifting to disengage, then withdrawing to the front. The Guide Rollers, Pressure Skates, etc., are carefully adjusted on leaving the factory and should give perfect projection under all normal circumstances.

3. **The Mask Plate.**—Lifts directly out of slots in Main Gate Bracket when the Gate is open.

TOP AND BOTTOM ROLLERS (See Plates No. 5 and 11)

For threading, the complete Roller Bracket is rotated on its pivot away from its sprocket. A stop is provided which allows sufficient opening for threading: a set screw operates against this stop providing adjustment in the closed position.

This is adjusted before leaving the factory to give two thicknesses of film between rollers and sprockets.

TIMING OF SHUTTERS (See Plate No. 17)

Single

The Shutter is mounted on the Shutter Spindle gear boss and is secured from rear by clamp ring. For removing Bottom Ghost on picture rotate the shutter clockwise on its boss.

N.B.—Care must be taken that the clamp screws are re-tightened before running projector.

Note.—That when timing Nos. 20 and 19, wise.

MASKING (See Plate No. 17)

This is controlled by projector. A clutch is lock against slip in either

INSTRUCTION

1. **Oil Filter** (See Plate No. 17)
Remove flange on filter assembly can

2. **Oil Pump** (See Plate No. 17)
This is situated on corner. Remove the can be withdrawn the flange tapped 2 thrust against the p

The main oil feed the pump and only when the pump is h in position in the p

Note.—When re its seating

3. **Intermittent Sprocket**
(a) Remove Strip underneath Light
(b) Remove screw spindle, when

Note.—This sprocket be taken ne

4. **Intermittent Unit**
(a) Remove sprocket
(b) Remove Rear breaking oil seal If Oil Seal is necessary.

(c) Release special when unit may

5. **Gate** (See Plate No. 17)
(a) Remove Lens
(b) Remove Intermittent
(c) Remove component
(d) Release Safety
(e) Release 2 screws

MECHANISM

INSTRUCTIONS

on top of Projector Frame indicated by white line on Oil Motor sprocket.

When set at correct rake and ensure that the filter inlet of the oil thrower on the rear of the Cross Box is used. The Projector oil passes through the Filter. Adjust by using either of the two screws.

Regularly drained out and the oil—Kalee "Superoil". Changed fortnightly for the

Wipe off any excess.

INSTRUCTIONS

of the light cone in the "closed" position.

and whilst Gate is still open. Adjust with Top Guide Rollers, and when the Gate is opened the rollers, etc., are carefully adjusted to give perfect projection under

of slots in Main Gate Bracket

(See Plates No. 5 and 11)

Bracket is rotated on its pivot which allows sufficient clearance to operate against this stop screw.

to give two thicknesses

(See p. 17)

of Spindle gear boss and is removed from Bottom Ghost on its boss.

Top screws are re-tightened

Note.—That when timing normal single shutter as fitted on Models Nos. 20 and 19, the shutter should be rotated anti-clockwise.

MASKING (See Plate No. 10)

This is controlled by the maroon knob in the front end of the projector. A clutch is incorporated in this knob to give automatic lock against slip in either direction.

INSTRUCTIONS FOR REMOVAL OF UNITS

1. Oil Filter (See Plate No. 15)

Remove flange on top of projector frame when the complete filter assembly can be lifted out.

2. Oil Pump (See Plate No. 19)

This is situated on the rear side of projector in the bottom front corner. Remove the 3-4BA Screws in the flange when the pump can be withdrawn complete by utilising the three extra holes in the flange tapped 2 BA. Use 3-2BA Screws about $\frac{1}{2}$ " long which, thrust against the projector main casting, will extract the pump.

The main oil feed pipe is merely a "push" fit in the rear of the pump and only requires easing out by finger pressure when the pump is being extracted; i.e., the oil pipe may remain in position in the projector.

Note.—When replacing the pump, carefully clean the flange and its seating and insert a new Sealing washer.

3. Intermittent Sprocket (See Plate No. 13)

(a) Remove Stripper which is secured by a 2-BA screw underneath Light Cone.

(b) Remove screw and key washer, etc., at end of sprocket spindle, when the sprocket may be withdrawn.

Note.—This sprocket is reversible on spindle. Great care should be taken not to damage teeth.

4. Intermittent Unit (See Plate No. 13)

(a) Remove sprocket as above.

(b) Remove Rear Cover by releasing 10-2BA screws and breaking oil seal.

If Oil Seal is broken carefully a new gasket will not be necessary.

(c) Release special $\frac{3}{4}$ " B.S.F. clamp nut securing unit to Quadrant when unit may be withdrawn from rear of machine.

5. Gate (See Plate No. 8)

(a) Remove Lens from Holder.

(b) Remove Intermittent Sprocket—see para. (3).

(c) Remove complete Gate Plate—see operating instructions.

(d) Release Safety Shutter Lever at top of light cone.

(e) Release 2 screws securing Gate to front of Projector frame,

when Gate can be withdrawn from locating dowels. Take care that lifting linkage is released from safety shutter.

6. **Top Sprocket** (See Plate No. 5)

- (a) Remove stripper from post.
- (b) Release set screw securing sprocket to spindle, and withdraw.

Note.—When fitting new sprocket ensure that sprocket is pushed on spindle hard up against stop.

7. **Top Sprocket Unit** (See Plate No. 5)

- (a) Remove Rear Cover as in para. 4 (b).
- (b) Release driving gear from sprocket spindle. This gear is secured by an Allen set screw and Woodruff Key.
- (c) Release Sprocket Bearing on front face of projector when complete unit may be withdrawn.

Note.—If care is taken when breaking oil seal underneath sprocket-bearing a new seal need not be fitted.

8. **Bottom Sprocket** (See Plate No. 11)

- (a) Remove driving pin for handle (this is a taper pin, hence take care to drive out from the small end).
- (b) Release 2 securing screws in base of outrigger-bearing, when it may be removed complete with stripper.
- (c) Release set screw securing sprocket to spindle, and withdraw.

Note.—When fitting new sprocket ensure that sprocket is pushed on spindle hard up against stop.

9. **Bottom Sprocket Unit** (See Plate No. 11)

- (a) Remove driving gear at rear of Projector. This is secured by large-head screw, Lock Washer and Woodruff Key.
- (b) Remove all screws securing bearing on front face, including the 2 screws securing the outrigger-bearing, when complete unit may be withdrawn.
If care is taken when breaking oil seal underneath sprocket bearing, a new seal need not be fitted.

Note.—When replacing unit take care not to damage gears when meshing into the gear train.

10. **Masking Knob Unit** (See Plate No. 10)

- (a) Release large domed-head screw in front of knob, and 2 set screws, when complete knob may be withdrawn from spindle. Be careful not to lose the rollers of the clutch mechanism.
- (b) Release 4 screws securing bearing to main frame, when spindle and gear, etc., may be withdrawn complete, taking care when breaking oil seal.
- (c) Note that the spindle is eccentric in order to permit fine adjustment of the meshing of the worm. The securing flange is drilled to permit a vernier adjustment.

11. **Complete High S**

- (a) Remove Rear
- (b) Remove Intern
- (c) Remove Shut
- (d) Remove the S
a single unit
end of the Shu
- (e) The Shutter C
inside the fra
Governor, an

12. **Governor Shaft** (

- (a) Remove the I
- (b) Bend the Oil
Top Intermitt
- (c) Detach the le
the gear.
- (d) Detach the
21295, and w
and bottom v
- (e) Remove the
detach the lar
Shaft.
- (f) Remove the C
Shaft, then re
to the thin pa
- (g) It will be foun
without furthe

13. **Intermittent Yok**

- (a) Remove Gove
- (b) Remove Botto
- (c) Remove Gate
- (d) Remove Mash
- (e) Remove loca
- (f) Remove Oil
carefully rem
Remove secu
- (g) Complete in
rotating the
a clockwise
clears the fla

om locating dowels. Take
d from safety shutter.

ocket to spindle, and with-
sure that sprocket is pushed
op.

(b).
cket spindle. This gear is
nd Woodruff Key.

nt face of projector when
aking oil seal underneath
need not be fitted.

(this is a taper pin, hence
small end).

base of outrigger-bearing,
lete with stripper.

ock to spindle, and with-
sure that sprocket is pushed

o. 11)
Projector. This is secured
her and Woodruff Key.

ring on front face, including
er-bearing, when complete

il seal underneath sprocket
e fitted.

care not to damage gears
train.

10)
w-in front of knob, and 2 set
may be withdrawn from
the rollers of the clutch

ring to main frame, when
withdrawn complete, taking

ic in order to permit fine
the worm. The securing
rier adjustment.

11. Complete High Speed Shutter Spindle (See Plate No. 17)

- (a) Remove Rear Cover.
- (b) Remove Intermittent Unit—see para. (4).
- (c) Remove Shutter Rear Cover.
- (d) Remove the Shutter and its Hub, which can be withdrawn as a single unit after removal of the $\frac{1}{4}$ " B.S.F. Lock-nut on the end of the Shutter Spindle.
- (e) The Shutter Gear and Spindle may then be withdrawn from **inside** the frame. Take care that the gear does not foul the Governor, and note Woodruff Key in shutter end of spindle.

12. Governor Shaft (See Plate No. 14)

- (a) Remove the High Speed Shutter Spindle—see para. (11).
- (b) Bend the Oil Pipe, which enters the thrower carried by the Top Intermittent Gear, to allow this gear to be withdrawn.
- (c) Detach the **left-hand** screw retaining this gear and withdraw the gear.
- (d) Detach the two right-hand screws retaining the strap 21295, and withdraw this and also the gears meshing top and bottom with the Spiral Gear on the Governor Shaft.
- (e) Remove the Cover Plate from the Shutter End Bearing and detach the large-headed screw in the end of the Governor Shaft.
- (f) Remove the Cover on the Front End Bearing of the Governor Shaft, then remove this Bearing, taking care to avoid damage to the thin paper gasket.
- (g) It will be found that the Governor Shaft can then be extricated without further dismantling.

13. Intermittent Yoke Complete with Gearing (See Plate No. 21)

- (a) Remove Governor Shaft—see para. (12).
- (b) Remove Bottom Sprocket Unit—see para. (9).
- (c) Remove Gate—see para. (5).
- (d) Remove Masking Knob Assembly—see para. (10).
- (e) Remove locating plug 21397 from front of projector.
- (f) Remove Oil Thrower on Intermittent Spindle 21398 and carefully remove oil seal. Remove securing screws for Yoke thus exposed.
- (g) Complete intermittent yoke may now be withdrawn by rotating the whole unit on the sprocket spindle spigot in a clockwise direction until the bottom gear spindle head clears the flange of the main casting.

43-1

**Spare Parts
List**

**COMPLETE INTERMITTENT UNIT
FOR THE
GAUMONT-KALEE GK-21, GK-20 & GK-19
PROJECTORS**

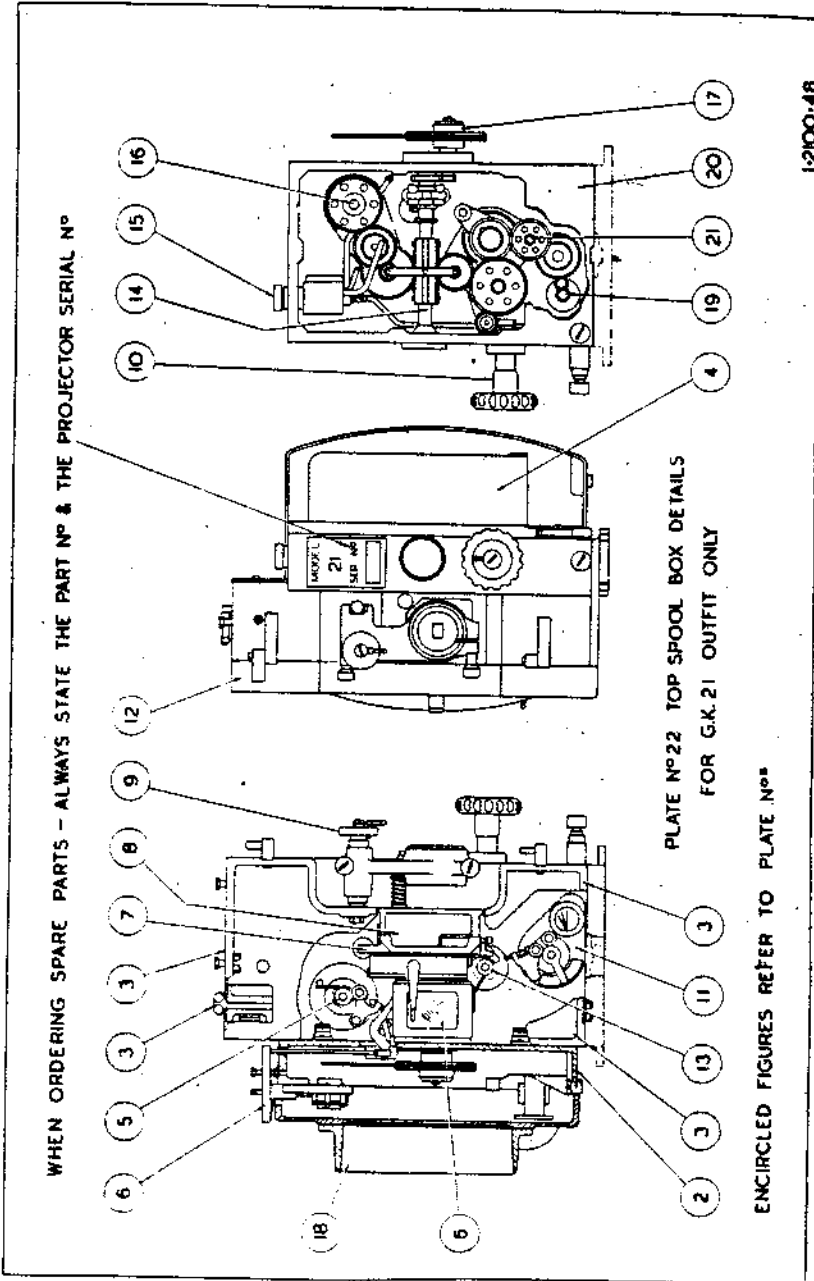
ISSUED BY



**G.B. - KALEE LTD.
MORTIMER HOUSE
37-41 MORTIMER STREET
LONDON, W.1**

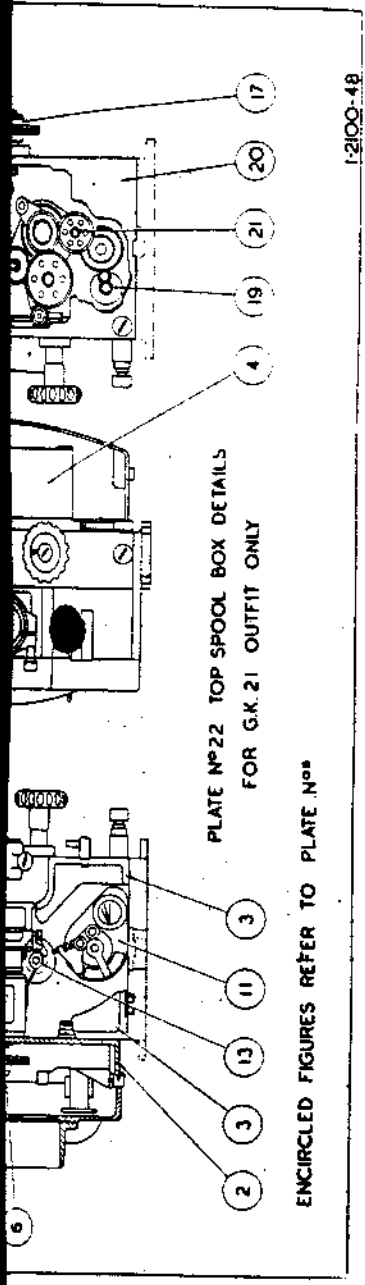
Telephone: MUSEum 5432
Telegrams: GEBEKAY, WESDO, LONDON
Cables: GEBEKAY LONDON

KEY PLATE FOR THE COMPLETE ASSEMBLY THE GAUMONT - KALEE "21" PROJECTOR MECHANISM



On page 8 is the Key-Plate for the complete Assembly, which contains the Key Numbers for the following detail plates:—

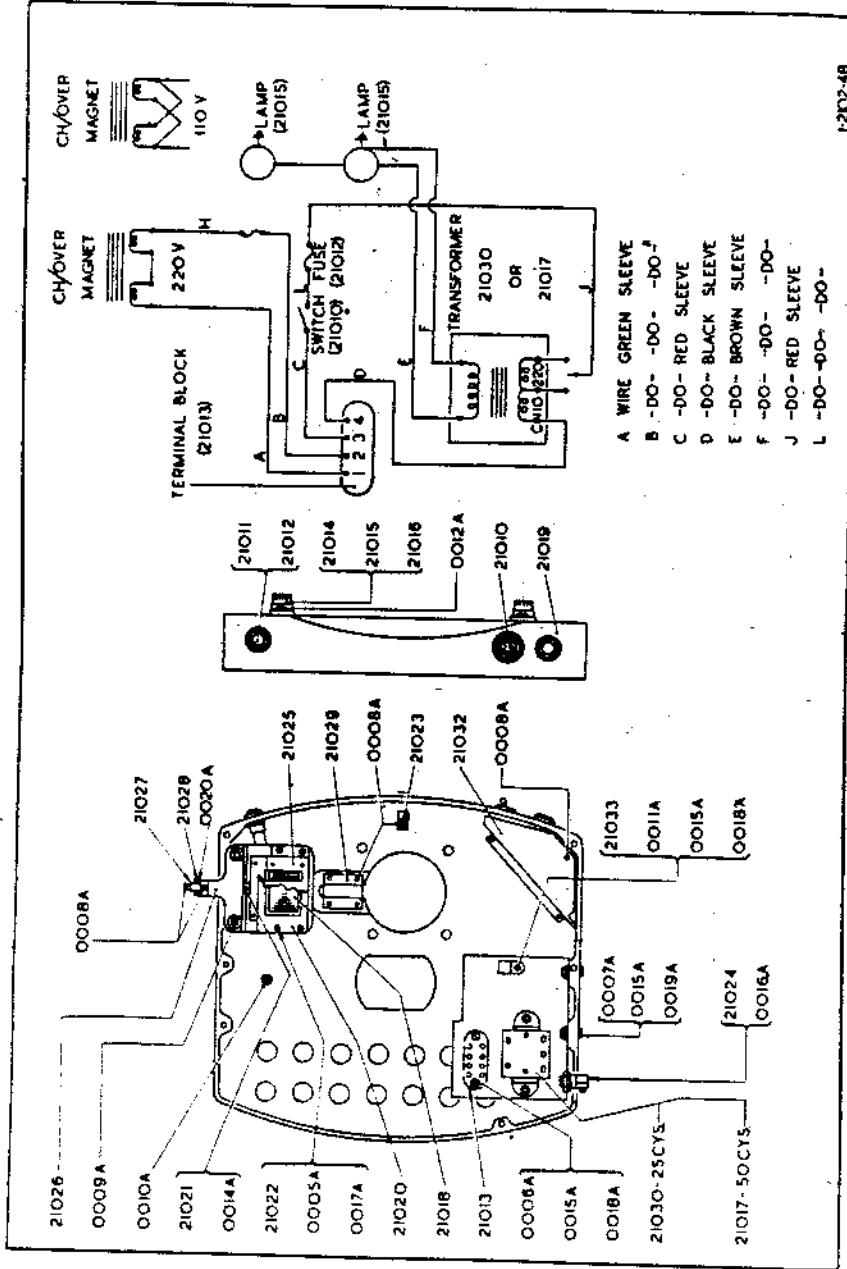
KEY PLATE No.	DESCRIPTION	PAGE No.	KEY PLATE No.	DESCRIPTION	PAGE No.
1	(Not shown, as it refers to the key-plate itself)	8	12	Projector Door	25
			13	Intermittent Unit	25



On page 8 is the Key-Plate for the complete Assembly, which contains the Key Numbers for the following detail plates:—

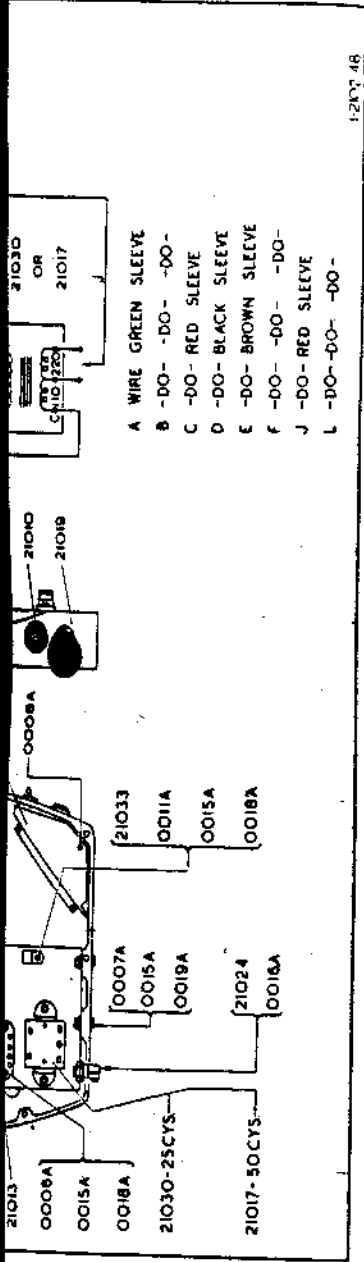
KEY PLATE No.	DESCRIPTION	PAGE No.	KEY PLATE No.	DESCRIPTION	PAGE No.
1	(Not shown, as it refers to the key-plate itself).	8	12	Projector Door	25
2	Shutter Case and Accessories	10	13	Intermittent Unit	25
3	Complete Frame Extensions	12	14	Shutter Shaft	26
4	Rear Cover	34	15	Oil Filter and Feed Pipes Assembly	27
5	Top Sprocket Bearing Assembly	14	16	Top Gear Yoke	27
6	Light Cone and Shutter Linkage	16	17	Shutter Shaft Bearing	28
7	Gate Assembly	18	18	Cone and Shutter Covers	28
8	Gate Bracket Assembly	20	19	Oil Pump	29
9	Lens Holder	24	20	Main Frame	29
10	Masking Sleeve	24	21	Intermittent Gear Yoke	30
11	Bottom Sprocket Front Bearing Assembly	22	22	Top Spoolbox Accessories	32

Plate No. 2. SHUTTER CASE AND ACCESSORIES



1-202-48

PART No.	DESCRIPTION
21023	Cable Clip
21024	Socket for Cable
21025	Complete Upper and Lower Lamination
21026	Solenoid Housing
21027	Plunger
21028	Cross Pin
21029	Cover
21010	Lamp Switch
21011	Panel Fuse Holder
21012	Spare Fuse
21013	Terminal Block
21014	Bezel
21015	Lamp
21016	Lampholder
21017	Transformer 50 cycle and Bracket
21018	Solenoid Coil



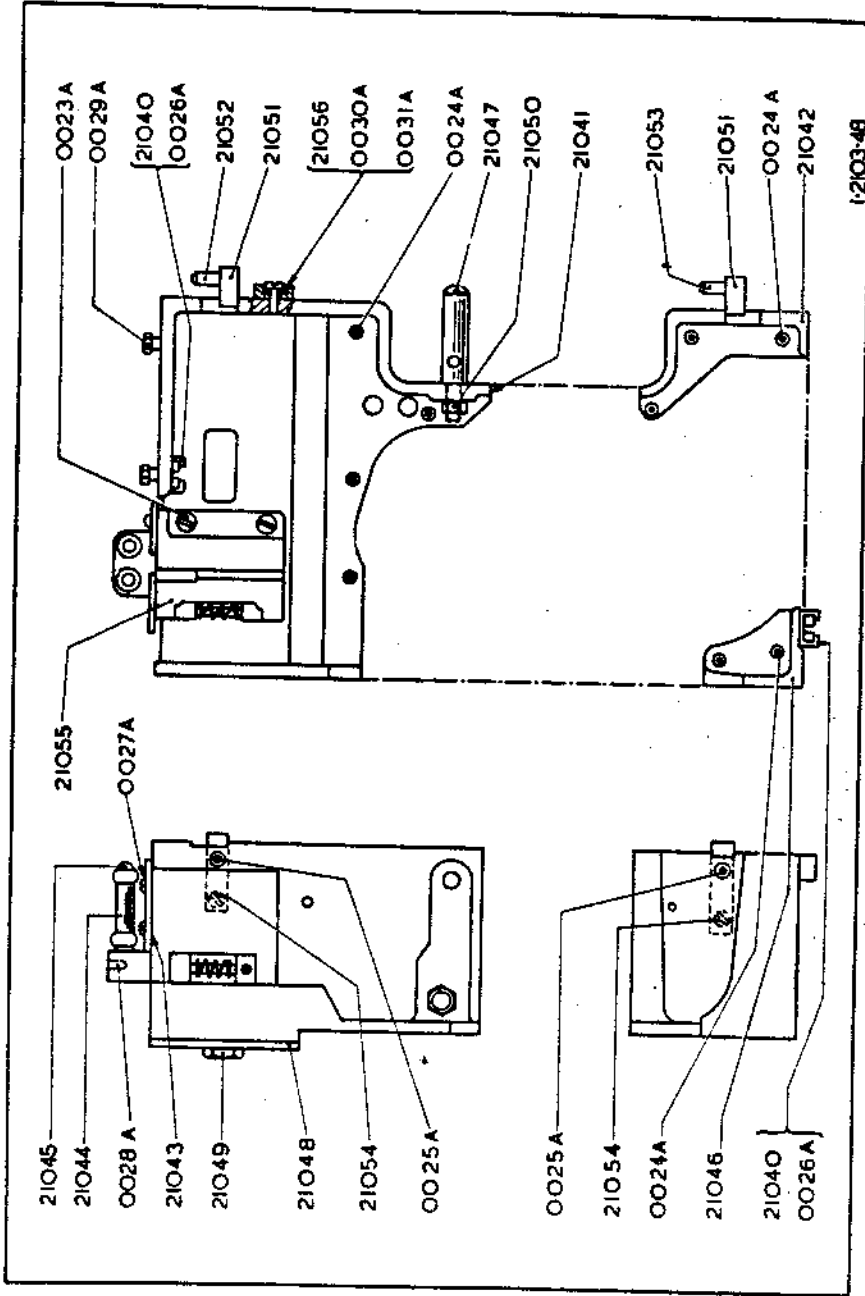
PART No.	DESCRIPTION
21023	Cable Clip
21024	Socket for Cable
21025	Complete Upper and Lower Lamination
21026	Solenoid Housing
21027	Plunger
21028	Cross Pin
21029	Cover
21030	Transformer 25 Cycle and Bracket
21032	Wiring Cover
21033	Cable Clip
—	Wiring A, B, C, D, E, F, G, H, J, L

PART No.	DESCRIPTION
21010	Lamp Switch
21011	Panel Fuse Holder
21012	Spare Fuse
21013	Terminal Block
21014	Bezel
21015	Lamp
21016	Lampholder
21017	Transformer 80 cycle and Bracket
21018	Solenoid Coil
21019	Shutter Case
21020	Panel
21021	Pin Fixing 21025
21022	Distance Tube

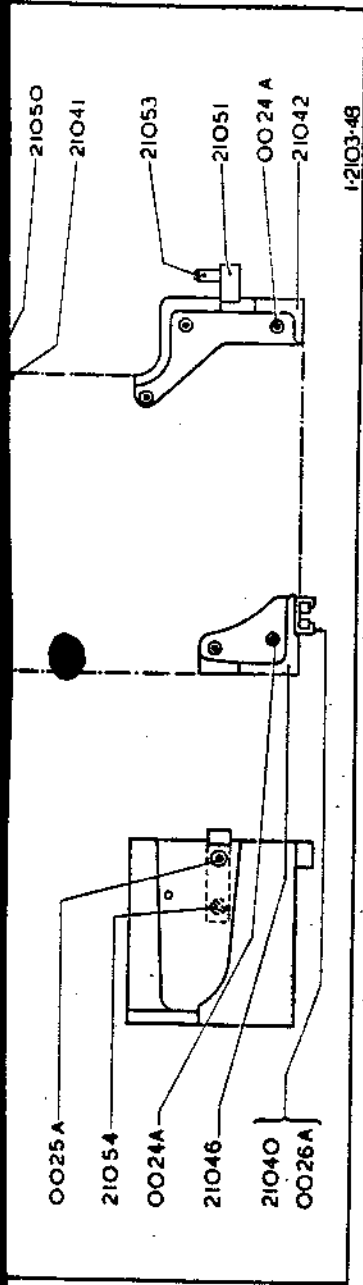
WASHERS, PINS AND SCREWS

0005A	Screw fixing	21020
0006A	"	21013
0007A	"	21030, 21017
0008A	"	{ 21027, 21029 21023, 21032
0009A	"	21026
0010A	"	21019
0011A	"	21033
0012A	"	21016
0014A	Pin fixing	21021
0015A	Nut	{ 21013, 21030 21033, 21017
0016A	Nut	21024
0017A	Locknut	21020
0018A	Washer	21013, 21033
0019A	Washer	21030, 21017
0020A	Washer	21027

Plate No. 3. COMPLETE FRAME EXTENSIONS



PART No.	DESCRIPTION	PART No.	DESCRIPTION
21040	Complete Door Catch	21049	Screw fixing 21048
21041	Top Frame Extension	21050	Nut fixing Guide Rod
21042	Bottom Right Hand Extension	21051	Body Hinge
21043	Masking Plate Film Trap	21052	Top Hinge Pin
21044	Roller Film Trap	21053	Bottom Hinge Pin
21045	Roller Spindle	21054	Screw fixing Hinges

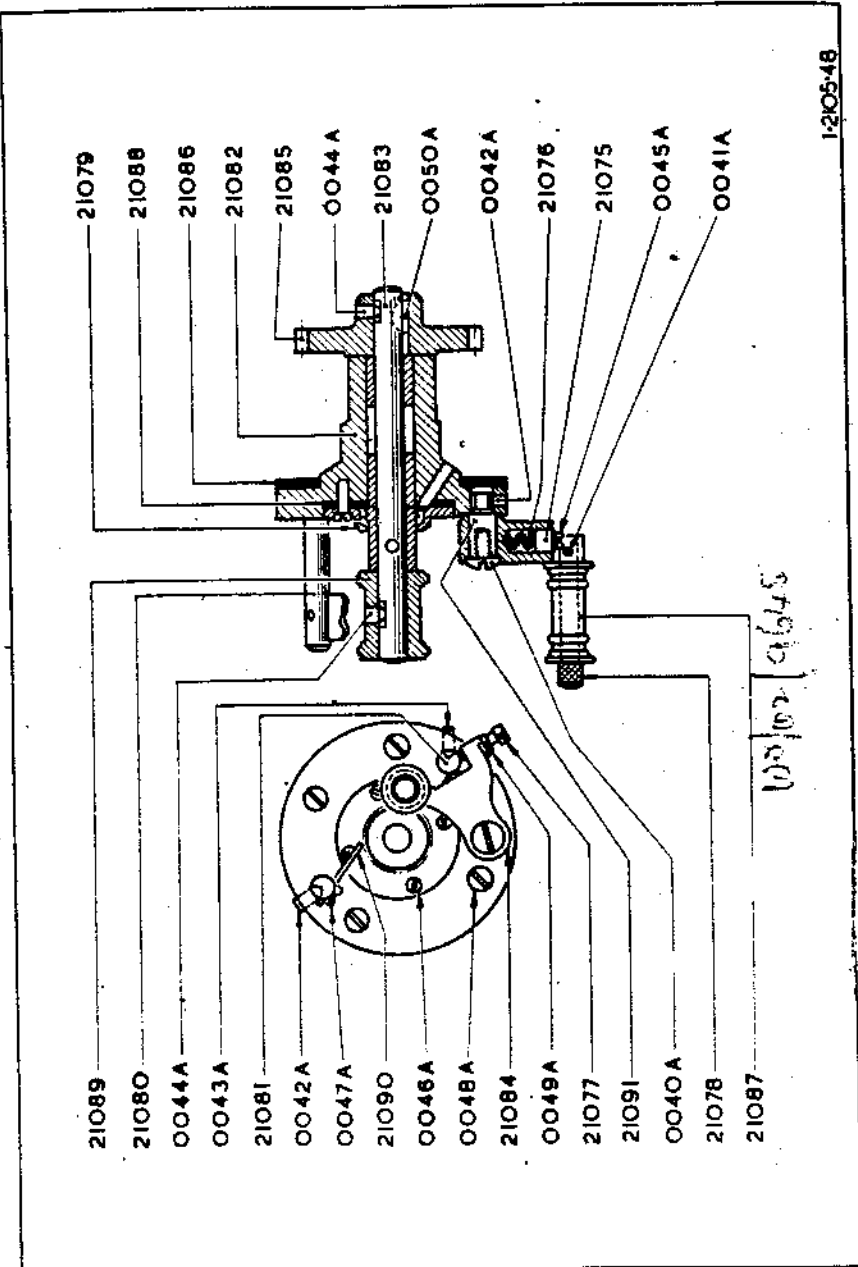


PART No.	DESCRIPTION	PART No.	DESCRIPTION
21040	Complete Door Catch	21049	Screw fixing 21048
21041	Top Frame Extension	21050	Nut fixing Guide Rod
21042	Bottom Right Hand Extension	21051	Body Hinge
21043	Masking Plate Film Trap	21052	Top Hinge Pin
21044	Roller Film Trap	21053	Bottom Hinge Pin
21045	Roller Spindle	21054	Screw fixing Hinges
21046	Bottom Left Hand Extension	21055	Complete Film Trap Body and Lid
21047	Lens Guide Rod	21056	Rubber Stop
21048	Cover Plate		

WASHERS, PINS AND SCREWS

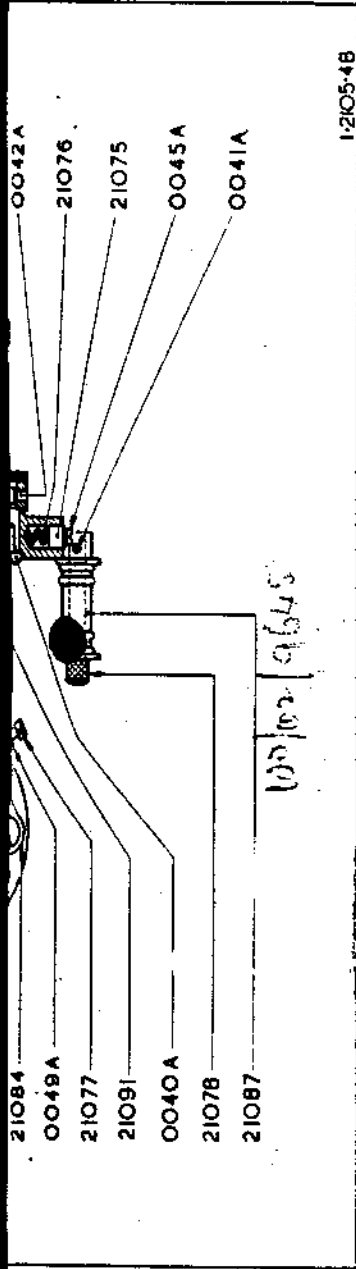
0023A	Screw fixing	21055	0027A	Screw fixing	21043
0024A	"	{ 21041 21042 21046	0028A	"	21045
0025A	"	21051	0029A	"	Top Spool Box
0026A	"	21040	0030A	"	21056
			0031A	Washer for	21056

Plate No. 5. TOP SPROCKET BEARING ASSEMBLY



PART No.	DESCRIPTION
21075	Plunger
21076	Spring for Plunger
21077	Stop Screw
21078	Roller Spindle
21079	Oil Cover
21080	Stripper Post
21081	Stop Pin

PART No.	DESCRIPTION
21084	Top Roller Bracket
21085	Top Sprocket Gear, 57 teeth, Steel
21086	Oil Seal, Top Sprocket Bearing
21087	Grooved Roller
21088	Oil Seal for Deflector
21089	Top Sprocket

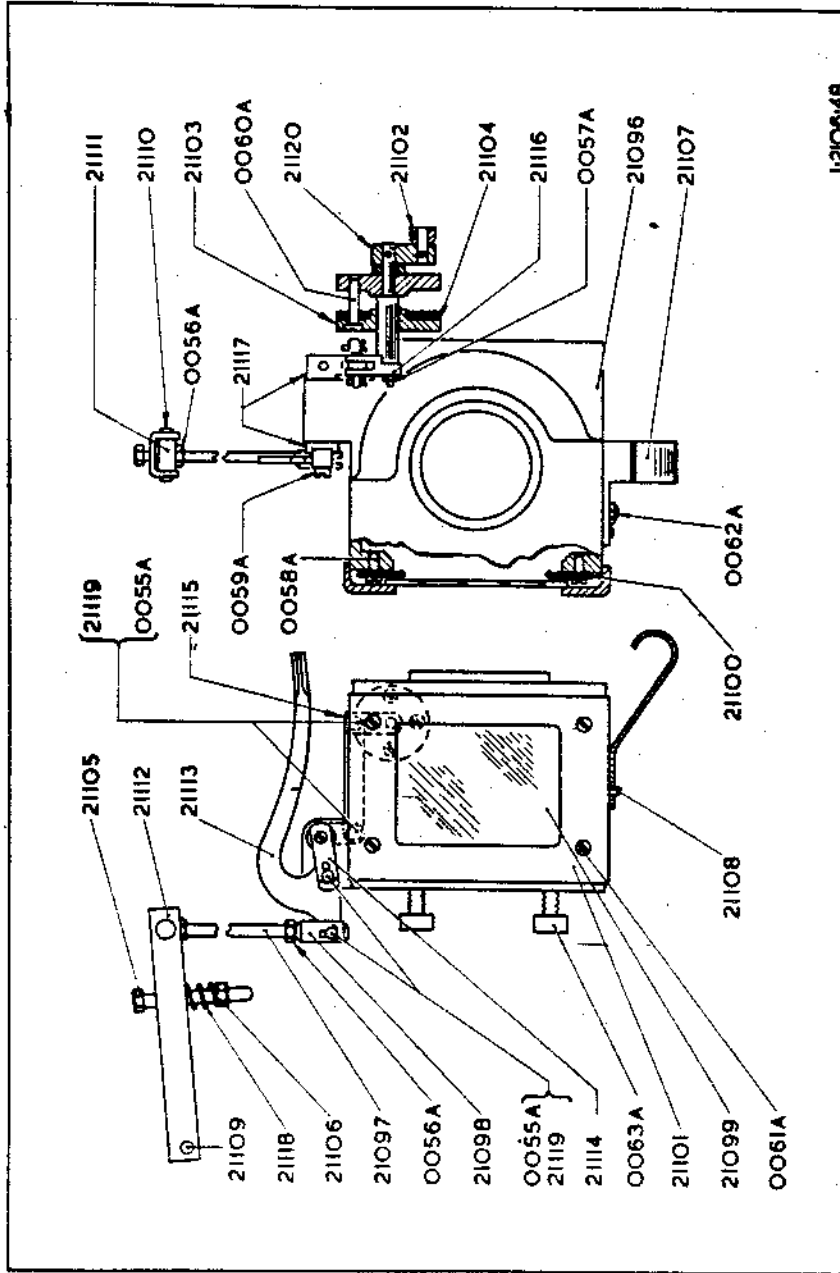


PART No.	DESCRIPTION	PART No.	DESCRIPTION
21075	Plunger	21084	Top Roller Bracket
21076	Spring for Plunger	21085	Top Sprocket Gear, 57 teeth, Steel
21077	Stop Screw	21086	Oil Seal, Top Sprocket Bearing
21078	Roller Spindle	21087	Grooved Roller
21079	Oil Cover	21088	Oil Seal for Deflector
21080	Stripper Post	21089	Top Sprocket
21081	Stop Pin	21090	Stripper Blade
21082	Complete Top Sprocket Bearing	21091	Pivot Pin
21083	Complete Top Sprocket Spindle		

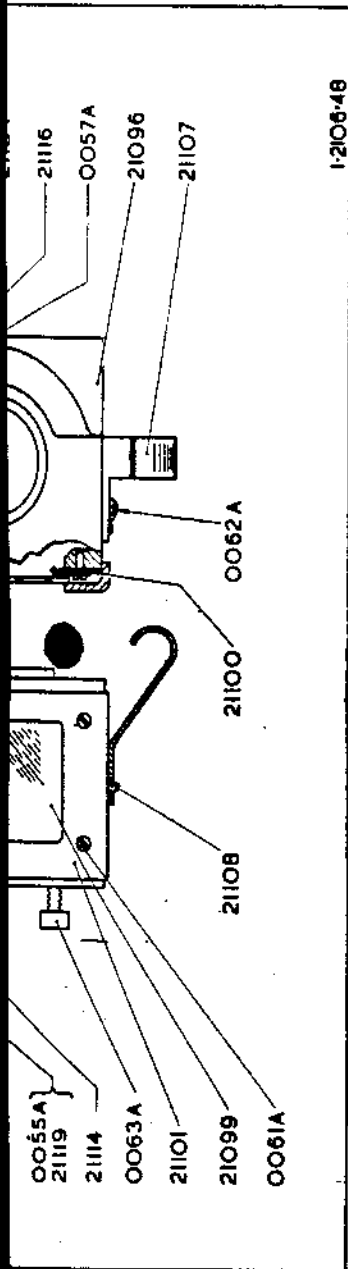
WASHERS, PINS AND SCREWS

0040A	Screw fixing	21084	0045A	Screw fixing	21075
0041A	"	21078	0046A	"	21079
0042A	"	{ 21080 21091	0047A	"	21090
0043A	"	21081	0048A	"	21082
0044A	"	21085, 21089	0049A	Locknut	21077
			0050A	No. 3 Woodruff Key	21085

Plate No. 6. LIGHT CONE AND SHUTTER LINKAGE



PART No.	DESCRIPTION	PART No.	DESCRIPTION
21096	Light Cone	21109	Fulcrum
21097	Push Rod	21110	Swivel Pin
21098	Push Rod End	21111	Swivel Sleeve
21099	Glass Window	21112	Rocker Arm
21100	Clip, Window	21113	Shutter Arm
21101	Cover, Window	21114	Shutter Crank
21102	Governor Spindle Roller	21115	Connecting Rod
21103	Governor Spindle Sleeve	21116	Crank Governor

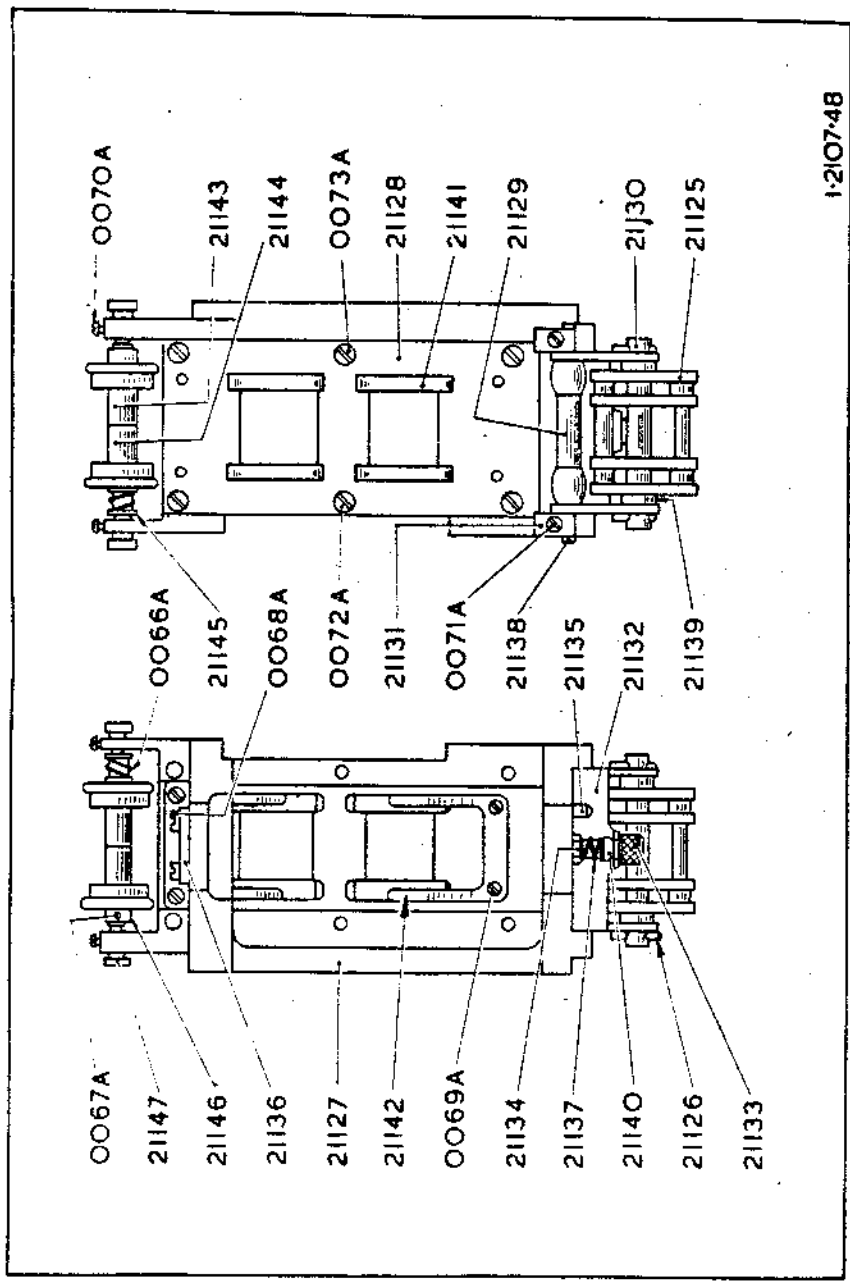


PART No.	DESCRIPTION	PART No.	DESCRIPTION
21096	Light Cone	21109	Fulcrum
21097	Push Rod	21110	Swivel Pin
21098	Push Rod End	21111	Swivel Sleeve
21099	Glass Window	21112	Rocker Arm
21100	Clip, Window	21113	Shutter Arm
21101	Cover, Window	21114	Shutter Crank
21102	Governor Spindle Roller	21115	Connecting Rod
21103	Governor Spindle Sleeve	21116	Crank, Governor
21104	Oil Seal for Shutter Link	21117	Shutter Spindle and Crank Complete
21105	Adjusting Screw	21118	Spring
21106	Locknut	21119	Pin
21107	Intermittent Stripper	21120	Complete Safety Shutter Link
21108	Dowel for Stripper		

WASHERS, PINS AND SCREWS

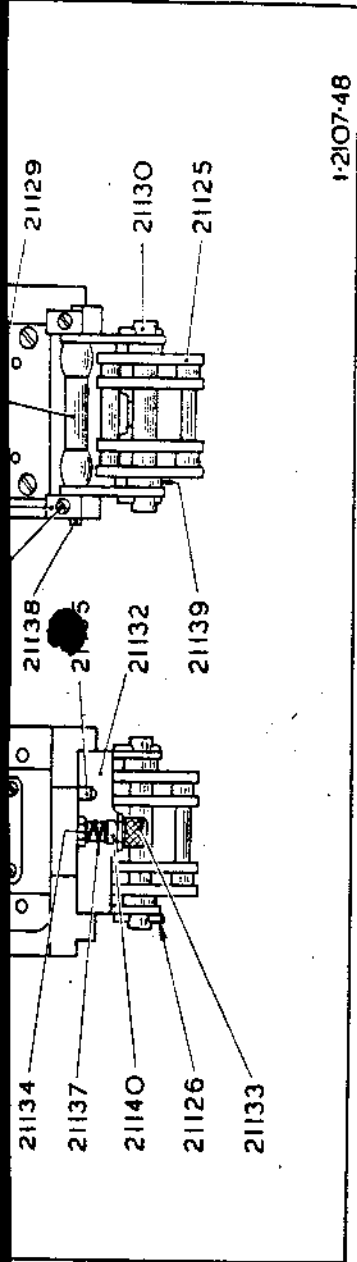
0055A	Split Pin fixing	21119	21103
0056A	Nut fixing	21097	21101
0057A	Nut "	21120	21107
0058A	Screw "	21100	21096
0059A	" "	21117	
0060A	Screw fixing		
0061A	" "		
0062A	" "		
0063A	" "		

Plate No. 7. GATE ASSEMBLY



1:2107-48

PART No.	DESCRIPTION	PART No.	DESCRIPTION
21125	Complete Shoe	21137	Spring
21126	Split Pin	21138	Bracket Spindle
21127	Gate Frame	21139	Washer for Shoe
21128	Gate Plate	21140	Tension Roller
21129	Gate Roller	21141	Film Skate
21130	Shoe Spindle	21142	Gate Tension Spring



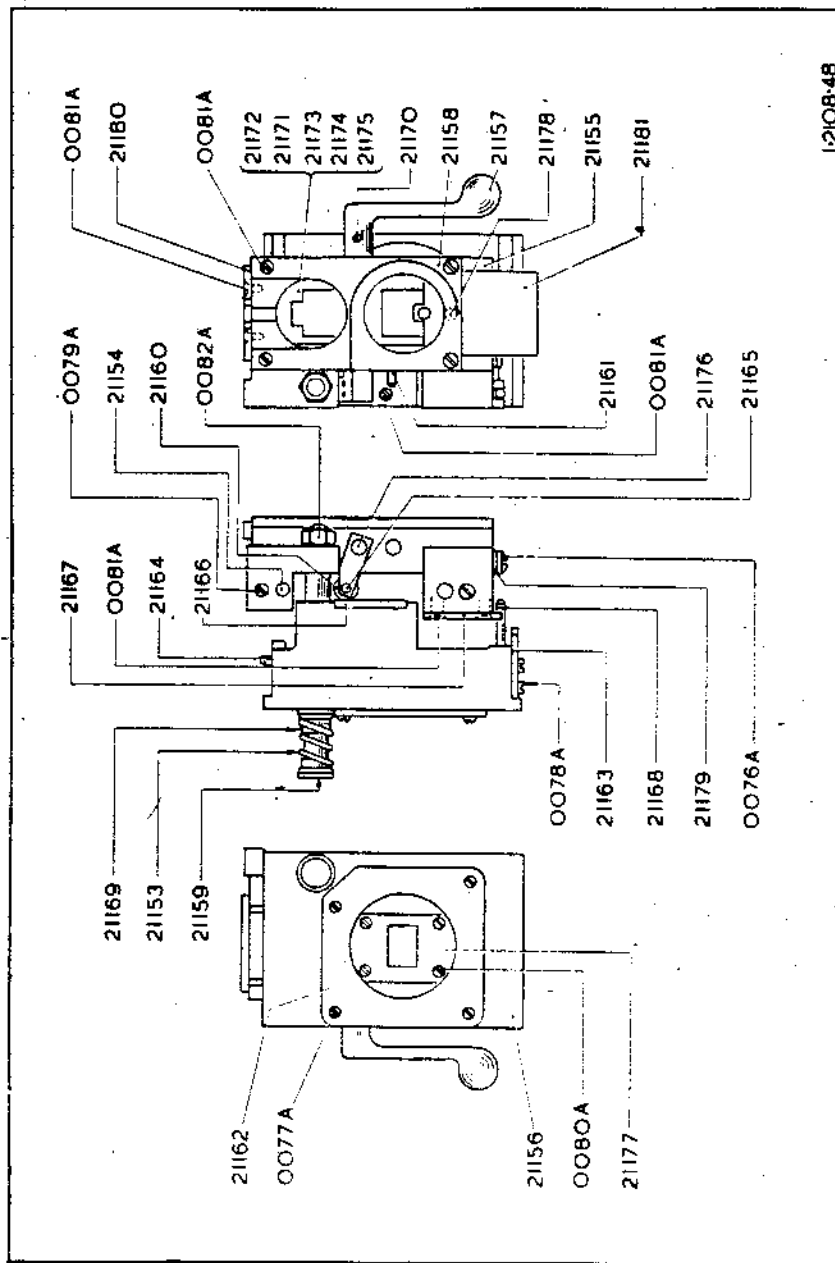
1210748

PART No.	DESCRIPTION	PART No.	DESCRIPTION
21125	Complete Shoe	21137	Spring
21126	Split Pin	21138	Bracket Spindle
21127	Gate Frame	21139	Washer for Shoe
21128	Gate Plate	21140	Tension Roller
21129	Gate Roller	21141	Film Skate
21130	Shoe Spindle	21142	Gate Tension Spring
21131	Shoe Spindle Clamp	21143	Guide Roller
21132	Shoe Bracket	21144	Pressure Roller
21133	Shoe Adjusting Nut	21145	Spindle, Guide Roller
21134	Stud	21146	Collar, Guide Roller
21135	Retaining Peg	21147	Pivot for Roller Spindle
21136	Location Plate		

WASHERS, PINS AND SCREWS

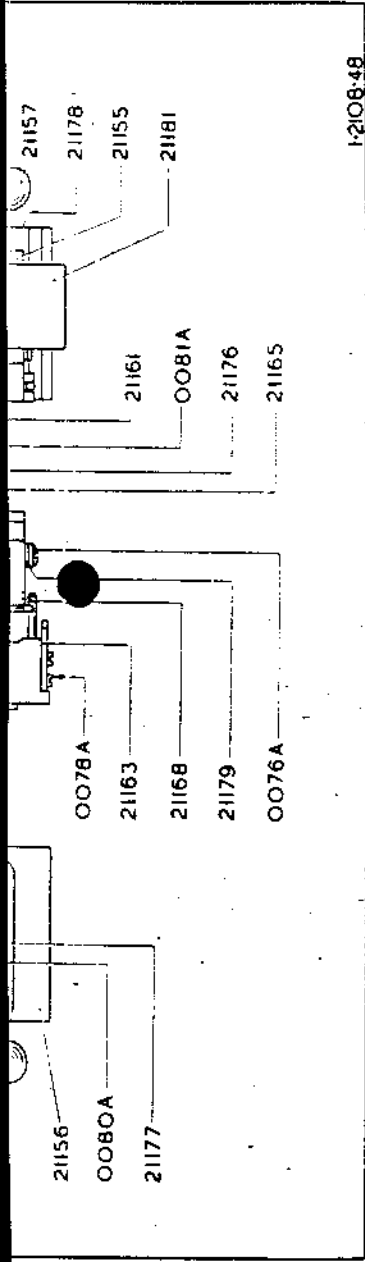
0066A	Complete Spring	21144	0070A	Screw fixing	21147
0067A	Screw fixing	21146	0071A	" "	21131
0068A	" "	21136	0072A	" "	21128
0069A	" "	21142	0073A	" "	21128

Plate No. 8. GATE BRACKET ASSEMBLY



1210848

PART No.	DESCRIPTION
21153	Spring
21154	Dowel for Gate Bracket
21155	Gate Bracket
21156	G.K. 21 & G.K. 20 Gate Carriage
19156	G.K. 19 Gate Carriage
21157	Gate Lever
21158	Cover Plate
21159	Gate Arm
21160	Gate Roller
21169	Thimble, Gate Arm
21170	Taper Pin, Gate Lever
21171	Mask Plate, Standard, Square Corner
21172	Mask Plate, Standard, Round Corner
21173	Mask Plate, Velvet Runner, Square Corner
21174	Mask Plate, Velvet Runner, Round Corner
21175	Mask Plate, Velvet Carrier



1-2108-48

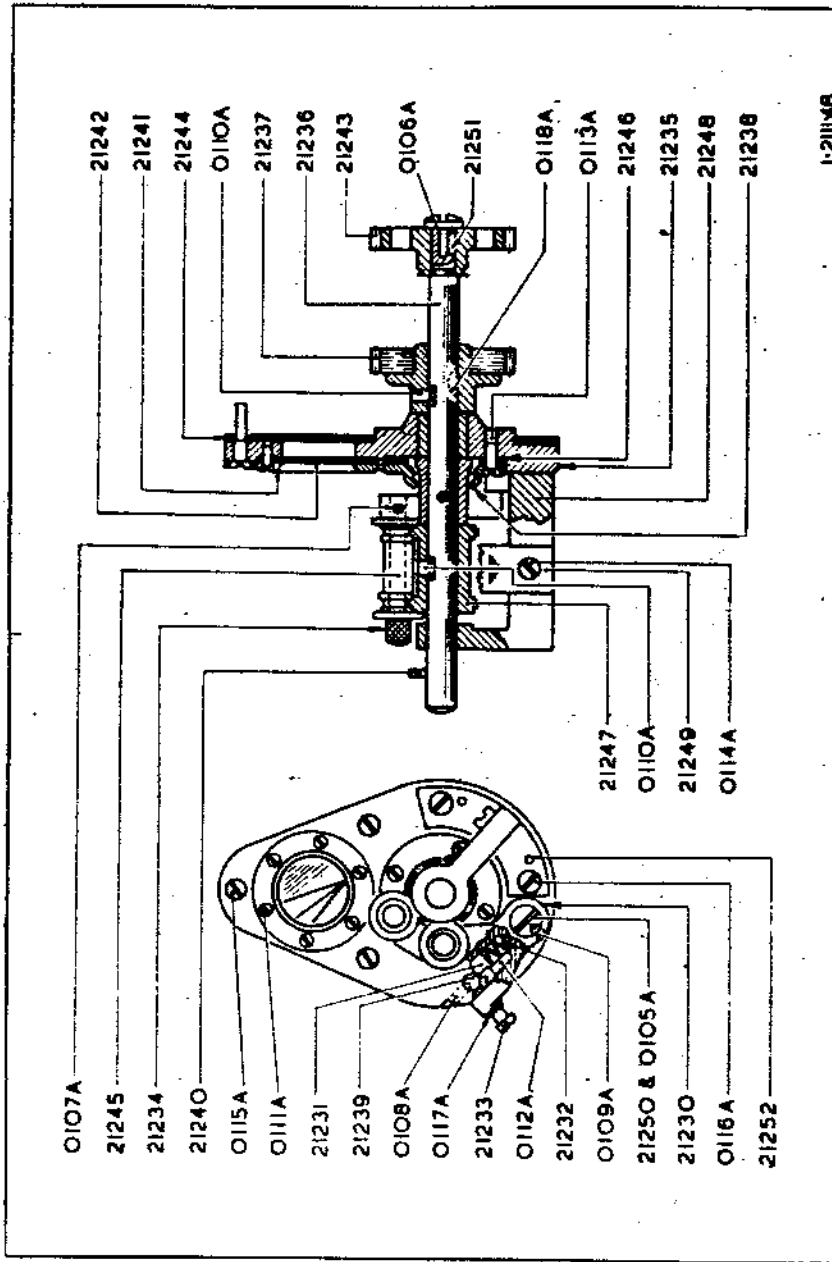
PART No.	DESCRIPTION	PART No.	DESCRIPTION
21153	Spring	21169	Thimble, Gate Arm
21154	Dowel for Gate Bracket	21170	Taper Pin, Gate Lever
21155	Gate Bracket	21171	Mask Plate, Standard, Square Corner
21156	G.K. 21 & G.K. 20 Gate Carriage	21172	Mask Plate, Standard, Round Corner
* 19156	G.K. 19 Gate Carriage	21173	Mask Plate, Velvet Runner, Square Corner
21157	Gate Lever	21174	Mask Plate, Velvet Runner, Round Corner
21158	Cover Plate	21175	Mask Plate, Velvet Carrier
21159	Gate Arm	21176	Roller Arm and Spindle
21160	Gate Roller	21177	Reflector Plate
21161	Roller Arm Stop Pin	21178	Stop Pin
21162	Cover Plate (Rear)	21179	Washer for 0076A
21163	Locating Plate	21180	Safety Shutter Stop
21164	Retaining Peg	21181	Safety Shutter G.K. 21 & G.K. 20
21165	Pin for Roller	* 19181	Safety Shutter G.K. 19
21166	Bearing Plate		
21167	Guide Plate		
21168	Guide Pin		

WASHERS, PINS AND SCREWS

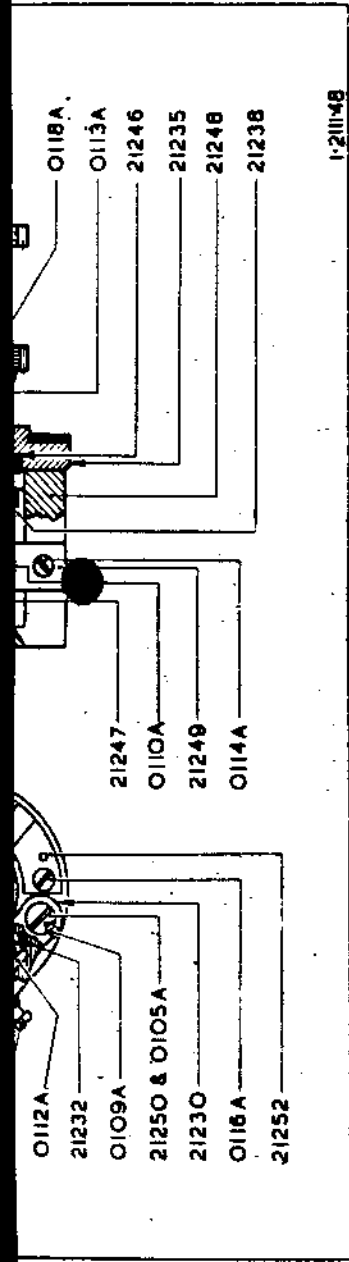
0076A	Stop Screw, Mask Plate	21158
0077A	Screw fixing	21166
0078A	" "	21167
0079A	" "	21180
0080A	" "	21159
0081A	Screw fixing	
0082A	Nut fixing	

* Quote these Part Numbers for GAUMONT-KALEE Models "21", "20" & "19"

Plate No. 11. BOTTOM SPROCKET FRONT BEARING ASSEMBLY



PART No.	DESCRIPTION
21230	Roller Bracket
21231	Plunger
21232	Spring for Plunger
21233	Stop Screw
21234	Roller Spindle
21235	Bottom Sprocket Bearing Complete
21236	Bottom Sprocket Spindle Complete
21237	Bottom Sprocket Gear, 38 teeth, Steel
21238	Oil Carrier for Deflector
21241	Window
21242	Main Driving Gear, 44 teeth, Steel
21243	Oil Seal, Bottom Sprocket Front
21244	Grooved Roller
21245	Oil Seal for Deflector
21246	Bottom Feed Sprocket
21247	Handle Bracket
21248	Bottom Sprocket Stripper



1:211148

PART No.	DESCRIPTION	PART No.	DESCRIPTION
21230	Roller Bracket	21242	Window
21231	Plunger	21243	Main Driving Gear, 44 teeth, Steel
21232	Spring for Plunger	21244	Oil Seal, Bottom Sprocket Front
21233	Stop Screw	21245	Grooved Roller
21234	Roller Spindle	21246	Oil Seal for Deflector
21235	Bottom Sprocket Bearing Complete	21247	Bottom Feed Sprocket
21236	Bottom Sprocket Spindle Complete	21248	Handle Bracket
21237	Bottom Sprocket Gear, 38 teeth, Steel	21249	Bottom Sprocket Stripper
21238	Oil Cover for Deflector	21250	Pivot Pin
21239	Stop Pin	21251	Key for Gear
21240	Pin for Spindle	21252	Dowel
21241	Window Frame		

WASHERS, PINS AND SCREWS

0105A	Screw fixing	21230
0106A	"	21243
0107A	"	21234
0108A	"	21239
0109A	"	21250
0110A	"	21237, 21247
0111A	"	21241
0112A	Screw fixing	21231
0113A	"	21238
0114A	"	21249
0115A	"	Complete Assembly
0116A	"	21248
0117A	Nut	21233
0118A	No. 3 Woodruff Key	21237

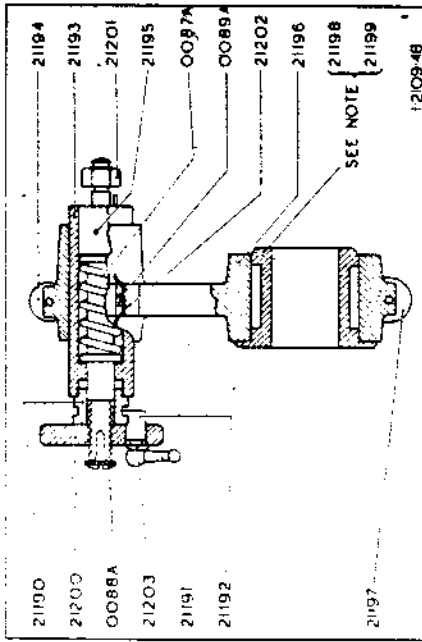


Plate No. 9. COMPLETE LENS HOLDER

PART No.	DESCRIPTION
21180	Key Washer
21191	Clamp Handle
21192	Clamp Stud
21193	Sleeve
21194	Lens Arm Clamp Screw
21195	Complete Stud and Pin, Lens Arm
21196	Lens Arm
21197	Clamp Screw Lens Adapter
21198	Lens Adapter, Standard
21199	Lens Adapter, Special (See Note)
21200	Focussing Nut
21201	Nut for Stud
21202	Lens Holder Spring
21203	Packing Washer

0087A	Compression Spring	21200
0088A	Screw Retaining	21202
0089A	Screw Fixing	

Note.—21198—Standard Lens Adapter
 21199—Recessed Adapter, supplied for use with Series "H" 4/4" Focus Projection Lenses only.

WASHERS, PINS AND SCREWS

0095A	Roller Spring	21216
0096A	Screw Fixing	21220
0097A	" "	21223
0098A	" "	20223
	" "	19223

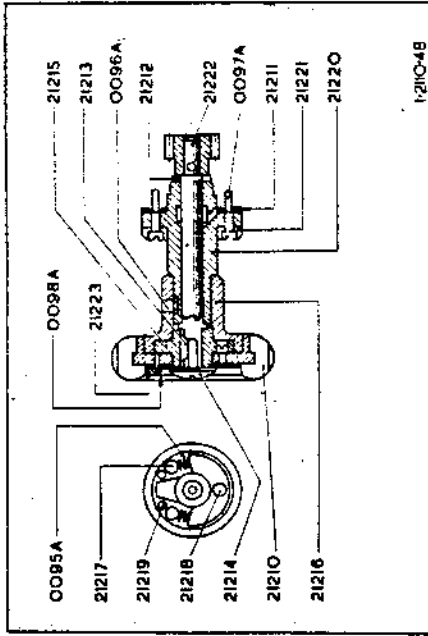
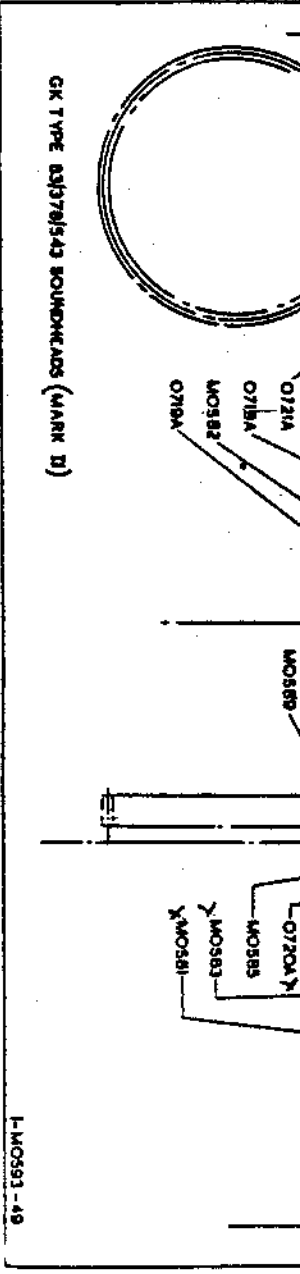


Plate No. 10. COMPLETE MASKING SLEEVE

PART No.	DESCRIPTION
21210	Masking Knob
21211	Oil Seal
21212	Washer for Gear
21213	Special Woodruff Key
21214	Retaining Screw
21215	Clutch Hub
21216	Clutch Shell
21217	Clutch Roller
21218	Driving Pin
21219	Release Screw
21220	Masking Sleeve
21221	Clamping Sleeve
21222	Gear Complete with Spindle
21223	C.K. 21 Masking Label
20223	G.K. 20 Masking Label
19223	G.K. 19 Masking Label

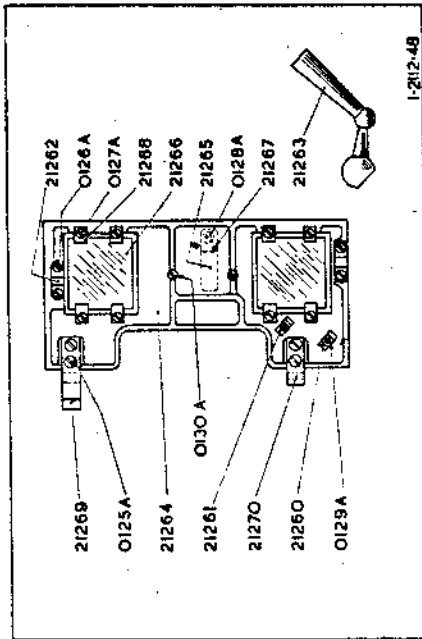
0095A	Roller Spring	21216
0096A	Screw Fixing	21220
0097A	" "	21223
0098A	" "	20223
	" "	19223



PART No.	DESCRIPTION	PART No.	DESCRIPTION	PART No.	DESCRIPTION
MO893	Gear, Adapter Complete	MO884	Ring, Clamping	MO888	Race, Roller
✓MO880	Lubricator	✓MO886	Cover	✓MO890	Race, Ball
MO881	Plate, Adapter	MO888	Nut, Lock	✓MO891	Gear, Compound, 34T-Steel, 51T-Steel
MO882	Clamp	MO887	Screw, Lock	✓MO892	Tube, Spacing
MO883	Post, Adapter	MO888	Washer, Lock		

WASHERS, PINS AND SCREWS

0719A	Screw securing Projector	0720A	Screw securing MO883	0721A	Screw securing MO884
0719A	" "				



1-212-48

Plate No. 12.

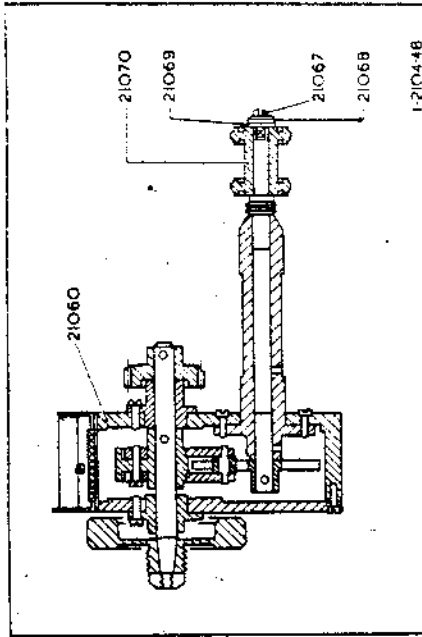
COMPLETE PROJECTOR DOOR

PART No.	DESCRIPTION
21260	Terry Tool Clip 80/0
21261	Terry Tool Clip 80/1
21262	Door Sneek, Top and Bottom
21263	Complete Handle, Projector Drive
21264	G.K. 21 Projector Door
20264	G.K. 20 & G.K. 19 Projector Door
21268	Projector Door Handle
21266	Window
21267	Dowel for Handle
21268	Window Clip
21269	Top Hinge
21270	Bottom Hinge

WASHERS, PINS AND SCREWS

0125A	Screw Fixing	21269, 21270
0126A	" "	21262
0127A	" "	21266

Page 25



1-210-48

Plate No. 13.

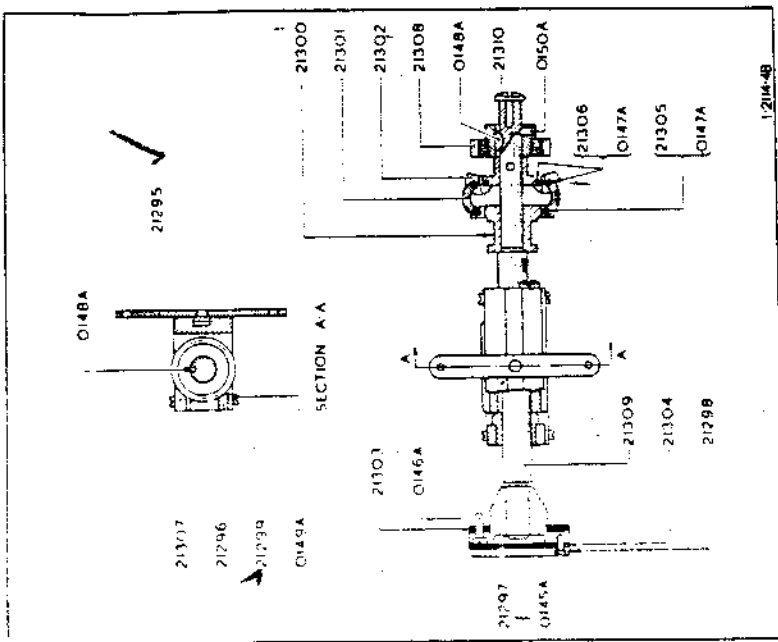
COMPLETE INTERMITTENT UNIT

PART No.	DESCRIPTION
21060	Complete Intermittent Unit
21067	Screw Securing Sprocket
21068	Washer Securing Sprocket
21069	Complete Key Washer
21070	Intermittent Sprocket

WASHERS, PINS AND SCREWS

0128A	Screw Fixing	21265
0129A	" "	21260, 21261
0130A	Plug Screw	" "

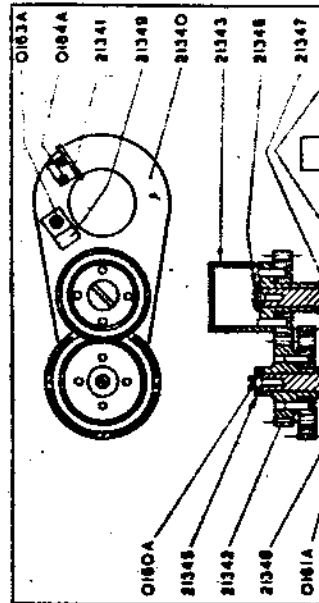
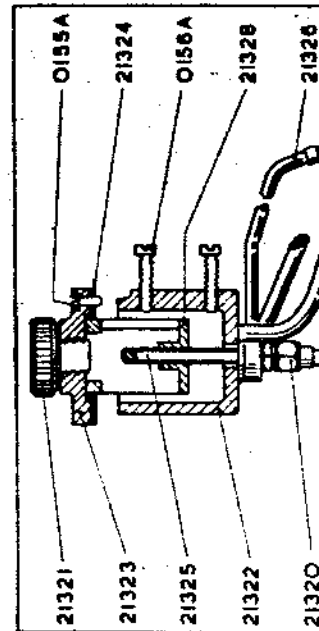
Plate No. 14 COMPLETE SHUTTER SHAFT



PART No.	DESCRIPTION
21295	Complete Strap and Key ✓
21296	Shutter Gear, 19 teeth, Steel
21297	Shutter Shaft Front Bearing
21298	Cover Plate Front Bearing
21299	Shutter Gear Rack ✓
21300	Governor Sleeve
21301	Governor Link
21302	Governor Bob
21303	Oil Seal, Front Shutter Bearing
21304	Oil Seal, Front Cover Plate
21305	Joint Pin, Short
21306	Joint Pin, Long
21307	Complete Gear Yoke with Bushes
21308	Complete Driving Gear, 34 teeth, Fibre
21309	Complete Shutter Shaft and Governor Body
21310	Shutter Shaft Retaining Screw

WASHERS, PINS AND SCREWS

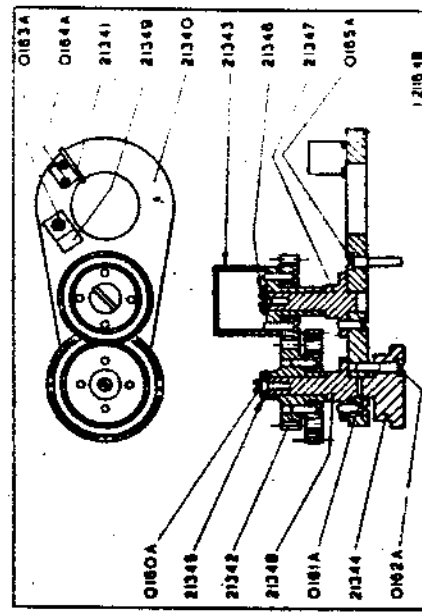
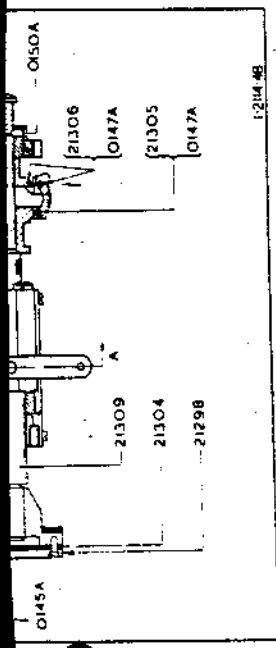
0145A	Screw fixing	21298
0146A	"	21297
0147A	Split Pin fixing	21305, 21306
0148A	No. 3 Woodruff Key for	21296, 21308
0149A	Screw fixing	21299
0150A	"	21308



21310 Shutter Shaft Retaining Screw

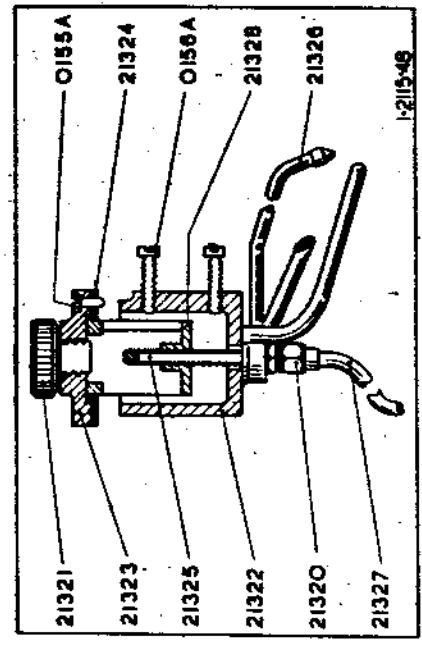
WASHERS, PINS AND SCREWS

- 0145A Screw fixing 21298
- 0146A " " 21297
- 0147A Split Pin fixing 21305, 21306
- 0148A No. 3 Woodruff Key for 21296, 21308
- 0149A Screw fixing 21299
- 0150A " " 21308



**Plate No. 16
COMPLETE TOP GEAR YOKE**

PART No.	DESCRIPTION
21340	Top Gear Yoke
21341	Oil Chute
21342	Complete Top Compound Gear, (30 teeth, Steel)
21343	Complete Top Intermittent Gear, (40 teeth, Fibre)
21344	Locating Plug
21345	Washer for Strap
21346	Screw fixing Intermittent Gear
21347	Top Intermittent Gear Post Left hand
21348	Top Intermittent Gear Post Right hand
21349	Clip for Oil Feed Pipe
0160A	Screw Fixing 21342
0161A	" " 21347
0162A	" " 21348
0163A	" " 21346
0164A	" " 21341
0165A	" " 21340



**Plate No. 15
OIL FILTER AND FEED PIPES ASSEMBLY**

PART No.	DESCRIPTION
21320	Nut for Lubricator Elbow
21321	Filler Plug
21322	Complete Oil Reservoir and Pipes
21323	Filler Plug Adapter
21324	Oil Seal for Oil Filler
21325	Complete Oil Sight Pipe
21326	Complete Oil Feed Pipe (Rear Bearing)
21327	Complete Oil Feed Pipe
21328	Complete Oil Filter
0155A	Screw Fixing 21323
0156A	" " 21322

WASHERS, PINS AND SCREWS

- 0160A
- 0161A
- 0162A
- 0163A
- 0164A
- 0165A

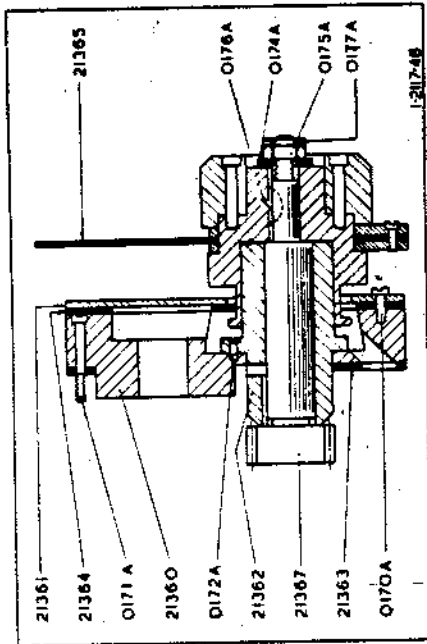


Plate No. 17
COMPLETE SHUTTER SHAFT BEARING

PART No.	DESCRIPTION
21360	Shutter Shaft Bearing
21361	Cover Plate
21362	Shutter Spindle Bearing
21363	Oil Seal, Shutter Shaft Bearing
21364	Oil Seal, Cover Plate
21365	Complete Double Speed Shutter
21366	Shutter Gear and Spindle, 17 teeth, Steel
21367	Shutter Gear and Spindle, 17 teeth, Steel

WASHERS, PINS AND SCREWS

0170A	Screw Fixing	21361
0171A	"	21360
0172A	"	21362
0174A	Std. 1/4" BSF. Washer	21367
0175A	Std. 1/4" BSF. Nut	21367
0176A	No. 1 Woodruff Key for	21367
0177A	Std. 1/4" BSF. Lock Nut for	21367

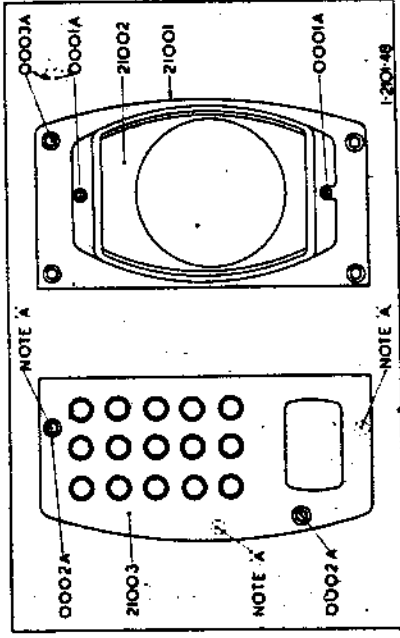
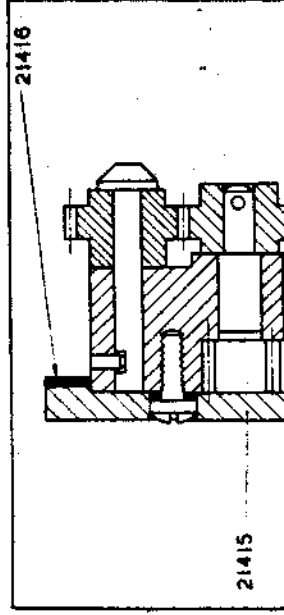


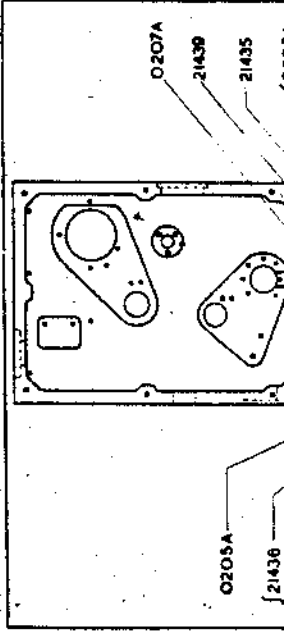
Plate No. 18
CONE AND SHUTTER COVERS

PART No.	DESCRIPTION
21001	Shutter Cover Right hand
21002	Cone for Shutter Cover
21003	Shutter Cover Left hand

WASHERS, PINS AND SCREWS

0001A	Screw Fixing	21002
0002A	"	21003
0003A	"	21001

Note A— The Shutter Cover Left-hand is either 3 Hole, or 2 Hole fixing. When ordering spares please quote number of holes.



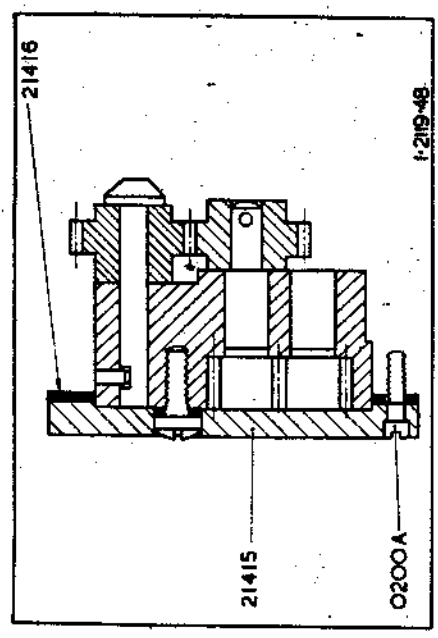
Shutter Spindle Bearing
 Oil Seal, Shutter Shaft Bearing
 Oil Seal, Cover Plate
 Complete Double Speed Shutter
 Shutter Gear and Spindle, 17 teeth, Steel

21002 Cone for Shutter Cover
 21003 Shutter Cover Left hand

WASHERS, PINS AND SCREWS

0170A Screw Fixing 21361
 0171A " " 21360
 0172A " " 21362
 0174A Std. 1/4" BSF. Washer 21367
 0178A Std. 1/4" BSF. Nut 21367
 0176A No. 1 Woodruff Key for 21367
 0177A Std. 1/4" BSF. Lock Nut for 21367

0001A Screw Fixing 21002
 0002A " " 21003
 0003A " " 21001
 Note A.— The Shutter Cover Left-hand is either 3 Hole, or 2 Hole fixing. When ordering spares please quote number of holes.



**Plate No. 19
 COMPLETE OIL PUMP**

PART No.	DESCRIPTION
21415	Complete Oil Pump
21416	Oil Seal for Pump Flange

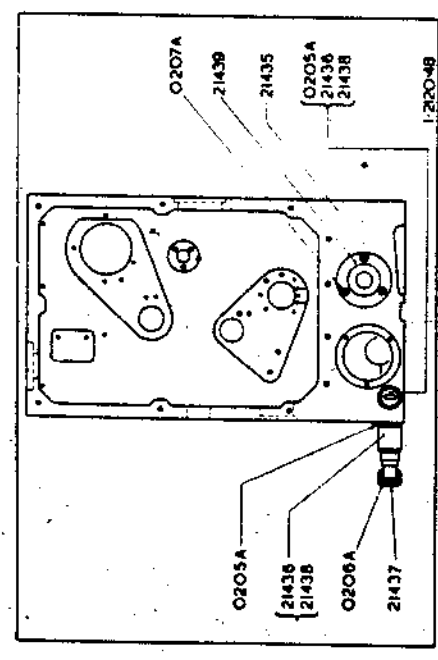


Plate No. 20. MAIN FRAME

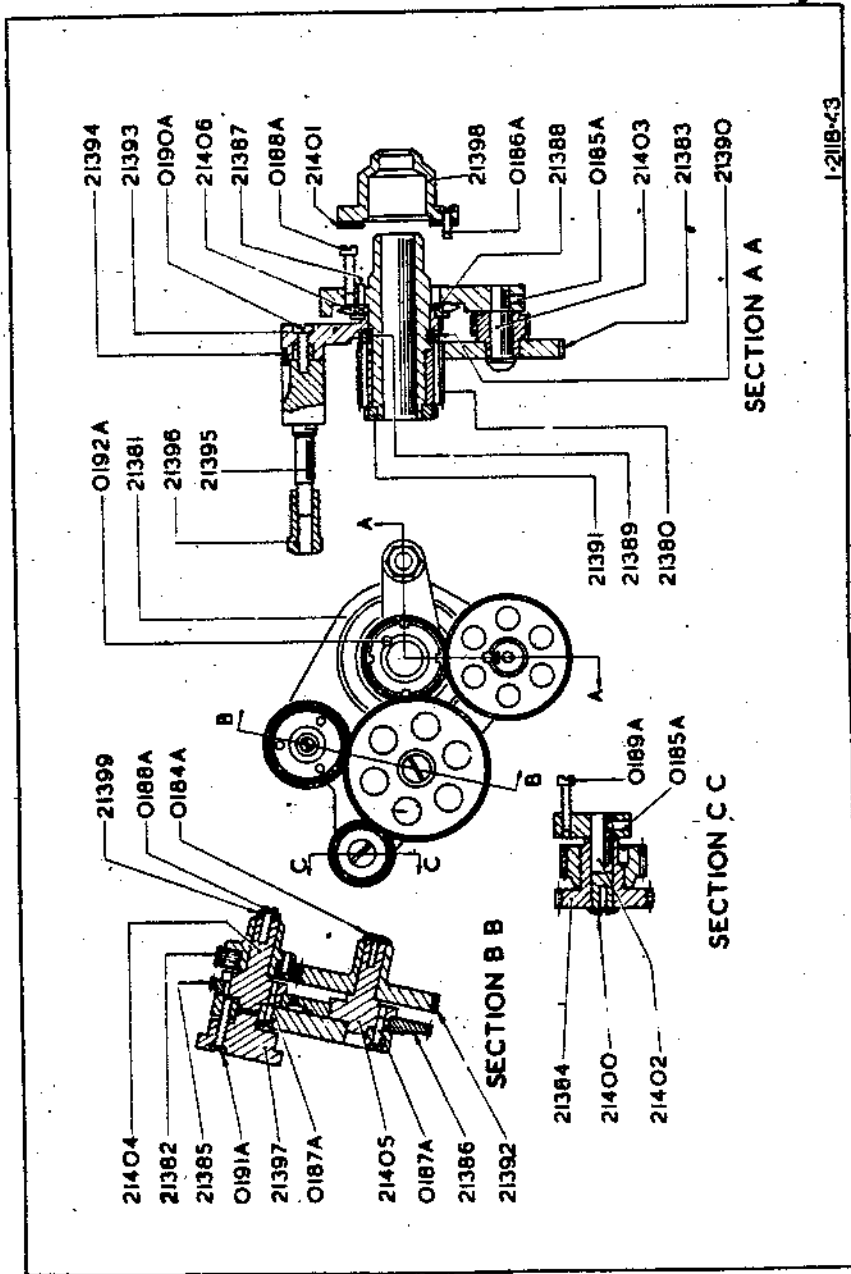
PART No.	DESCRIPTION
21435	Main Frame
21436	Oil Drain Extension
21437	Oil Drain Extension Plug
21438	Oil Drain Plug
21439	Bottom Sprocket Rear Bearing

WASHERS, PINS AND SCREWS

0200A Screw fixing 21415

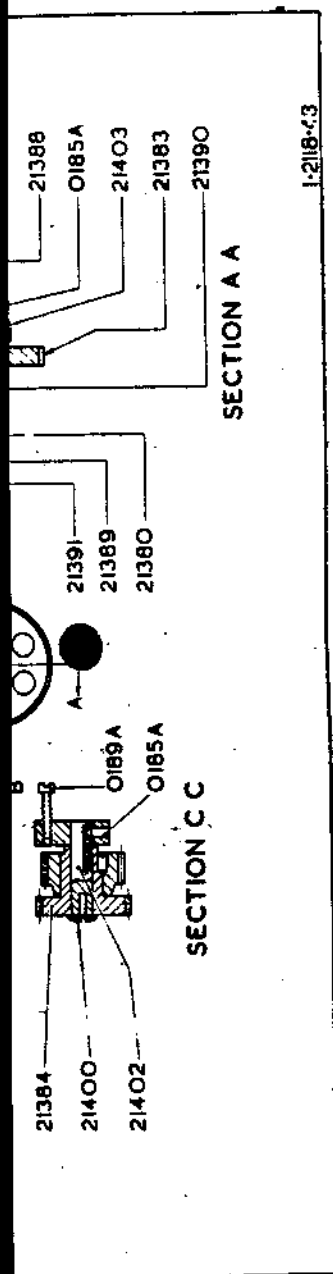
0205A Drain Plug Packing
 0206A Oil Drain Washer
 0207A Screw fixing 21439

Plate No. 21. COMPLETE INTERMITTENT GEAR YOKE



1-2118-43

PART No.	DESCRIPTION	PART No.	DESCRIPTION
21380	Complete Intermittent Gear, 29 teeth, Fibre	21394	Pin for Quadrant
21381	Intermittent Gear Train Bracket	21395	Post for Quadrant
21382	Complete Shutter Driving Gear, 29 teeth, Fibre	21396	Nut for Quadrant
21383	Complete Bottom Compound Gear, 42 and 21 teeth, Steel	21397	Locating Plug
21384	Complete Racking Compound Gear, 31 and 17 teeth, Brass	21398	Oil Deflector
21395	Complete Yoke, Brass	21399	Washer for Strap

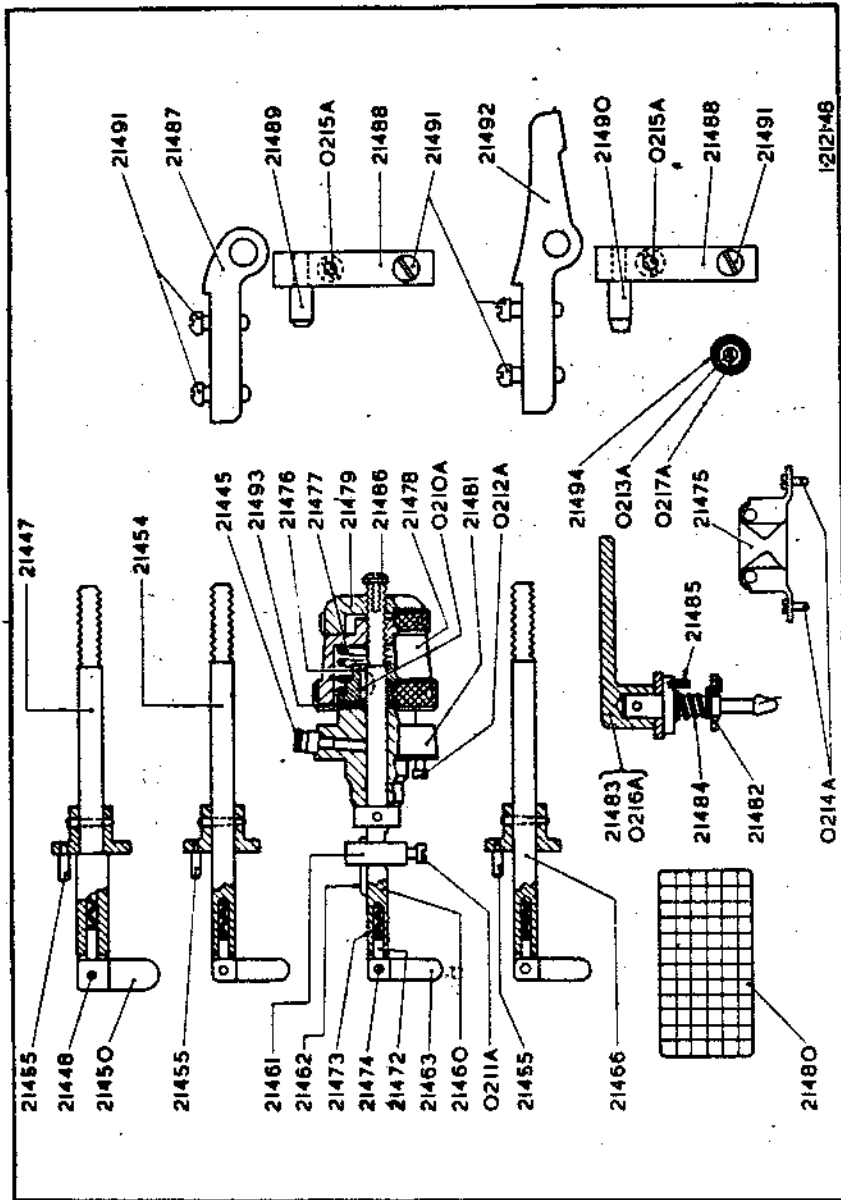


PART No.	DESCRIPTION	PART No.	DESCRIPTION
21380	Complete Intermittent Gear, 29 teeth, Fibre	21394	Pin for Quadrant
21381	Intermittent Gear Train Bracket	21395	Post for Quadrant
21382	Complete Shutter Driving Gear, 29 teeth, Fibre	21396	Nut for Quadrant
21383	Complete Bottom Compound Gear, 42 and 21 teeth, Steel	21397	Locating Plug
21384	Complete Racking Compound Gear, 31 and 17 teeth, Brass	21398	Oil Deflector
21385	Shutter Yoke Racking Gear, 41 teeth, Steel	21399	Washer for Strap
21386	Racking Intermittent Gear, 68 teeth, Steel	21400	Retaining Screw
21387	Pin for Quadrant	21401	Oil Seal for Oil Deflector
21388	Flanged Washer	21402	Racking Compound Gear Post
21389	Split Ring	21403	Bottom Compound Gear Post
21390	Retaining Ring	21404	Lower Gear Post left hand
21391	Lock Ring	21405	Lower Gear Post right hand
21392	Lower Intermittent Gear, 48 teeth, Steel	21406	Corrugated Spring Washer
21393	Quadrant		

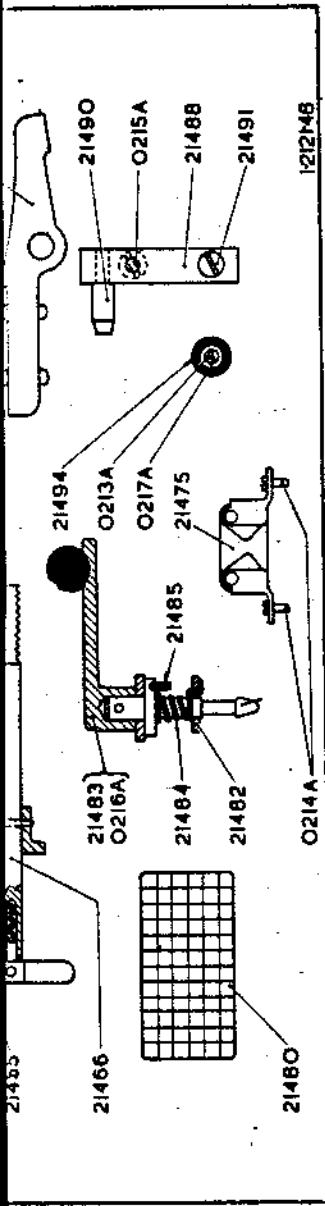
WASHERS, PINS AND SCREWS

0184A	Retaining Screw for 21392	0189A	Screw fixing	21381
0185A	Screw Retaining 21403, 21402	0190A	" "	21395
0186A	Screw fixing 21398	0191A	" "	21397
0187A	" " 21404, 21405	0192A	" "	21391
0188A	" " 21381, 21399			

Plate No. 22. TOP SPOOL BOX ACCESSORIES



PART No.	DESCRIPTION	PART No.	DESCRIPTION
21445	Kingfisher Oil Cup	21475	Complete Door Catch G.K. 21"
21447	Complete 1" Spool Spindle and Drive Collar	20475	" " " G.K. 20, G.K. 19
21448	Pin for Plunger	21476	Spring Collar
21450	Spool Spindle Click End	21477	Pressure Spring
21455	Spool Drive Pin	21478	Spring Tension Nut
21454	Complete 1/2" Spool Spindle and Drive Collar	21479	Check Nut
21455	Spool Drive Pin	21480	Window, Top Spool Box
21463	Spool Spindle Click End	21481	Spindle Bearing
		21482	Escutcheon Plate



PART No.	DESCRIPTION	PART No.	DESCRIPTION
21445	Kingfisher Oil Cup	21475	Complete Door Catch G.K. 21*
21447	Complete 1/2" Spool Spindle and Drive Collar	20475	" " " G.K. 20, G.K. 19
21448	Pin for Plunger	21476	Spring Collar
21450	Spool Spindle Click End	21477	Pressure Spring
21455	Spool Drive Pin	21478	Spring Tension Nut
21454	Complete 1/2" Spool Spindle and Drive Collar	21479	Check Nut
21455	Spool Drive Pin	21480	Window, Top Spool Box
21463	Spool Spindle Click End	21481	Spindle Bearing
21460	Complete 1/2" Spool Spindle and Collar	21482	Escutcheon Plate
21461	Spool Stop Collar	21483	Complete Handle
21462	Spool Driving Key	21484	Spring for Handle
21463	Spool Spindle Click End	21485	Stop Pin
21466	Complete 9 mm. Spool Spindle and Drive Collar	21486	Stop Screw
21455	Spool Driving Pin	21487	Top Door Hinge
21463	Spool Spindle Click End	21488	Body Hinge
21472	Plunger	21489	Top Hinge Pin
21473	Spring for Plunger	21490	Bottom Hinge Pin
21474	Pin for Plunger	21491	Screw fixing 21487, 21492, 21488
		21492	Bottom Door Hinge
		21493	Clutch Disc
		21494	Rubber Stop

NOTE: * Part Nos. 21475, 21485, 21486, 21487, 21488, 21489, 21490 and 21491 are not required for models G.K. 20 and G.K. 19 Projectors.

WASHERS, PINS AND SCREWS

0210A	No. 2 Woodruff Key	0214A	Screw fixing	21475
0211A	Screw fixing	0215A	" "	21488
0212A	" "	0216A	" "	21483
0213A	" "	0217A	Washer for	21494

Plate No. 4 REAR COVER (GLASS WINDOW)

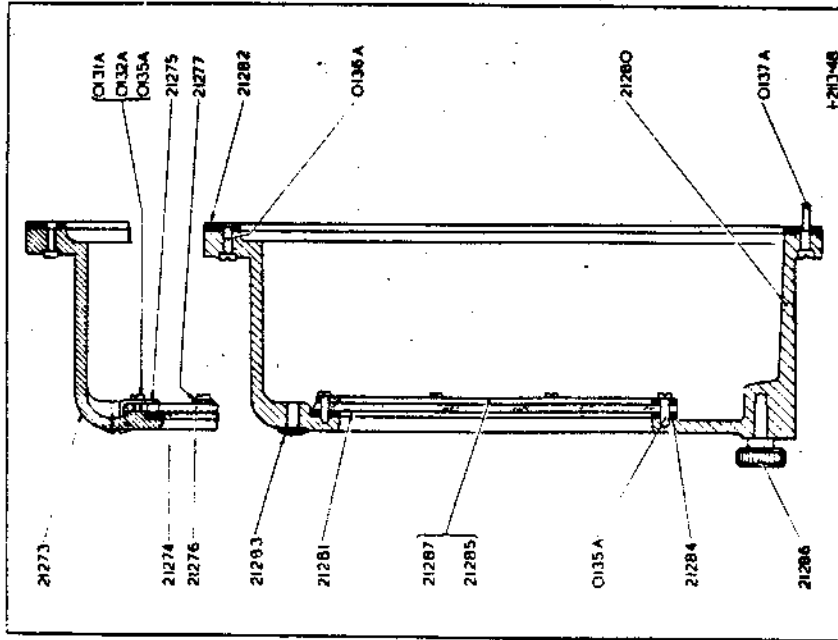
PART No.	DESCRIPTION
21273	Rear Cover
21274	Sealing Washer
21275	Window Clip, Long
21276	Window, Glass
21277	Window Clip

REAR COVER (PERSEPEX WINDOW)

PART No.	DESCRIPTION
21280	Rear Cover
21281	Window, Perspex
21282	Oil Seal for Main Frame <i>130/02/4-761</i>
21283	Plug Screw
21284	Oil Seal for Window
21285	Strip Washer, Long
21286	Cover Clamp Screw
21287	Strip Washer, Short

WASHERS, PINS AND SCREWS

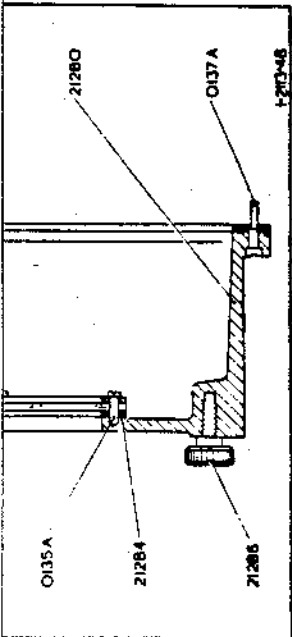
0131A	Screw fixing	21275
0132A	Nut	21275
	"	{ 21275
	"	{ 21277
0135A	Screw	21281
0136A	Screw fixing plug	Rear Cover
0137A	Screw fixing	21280



The
C
Mode

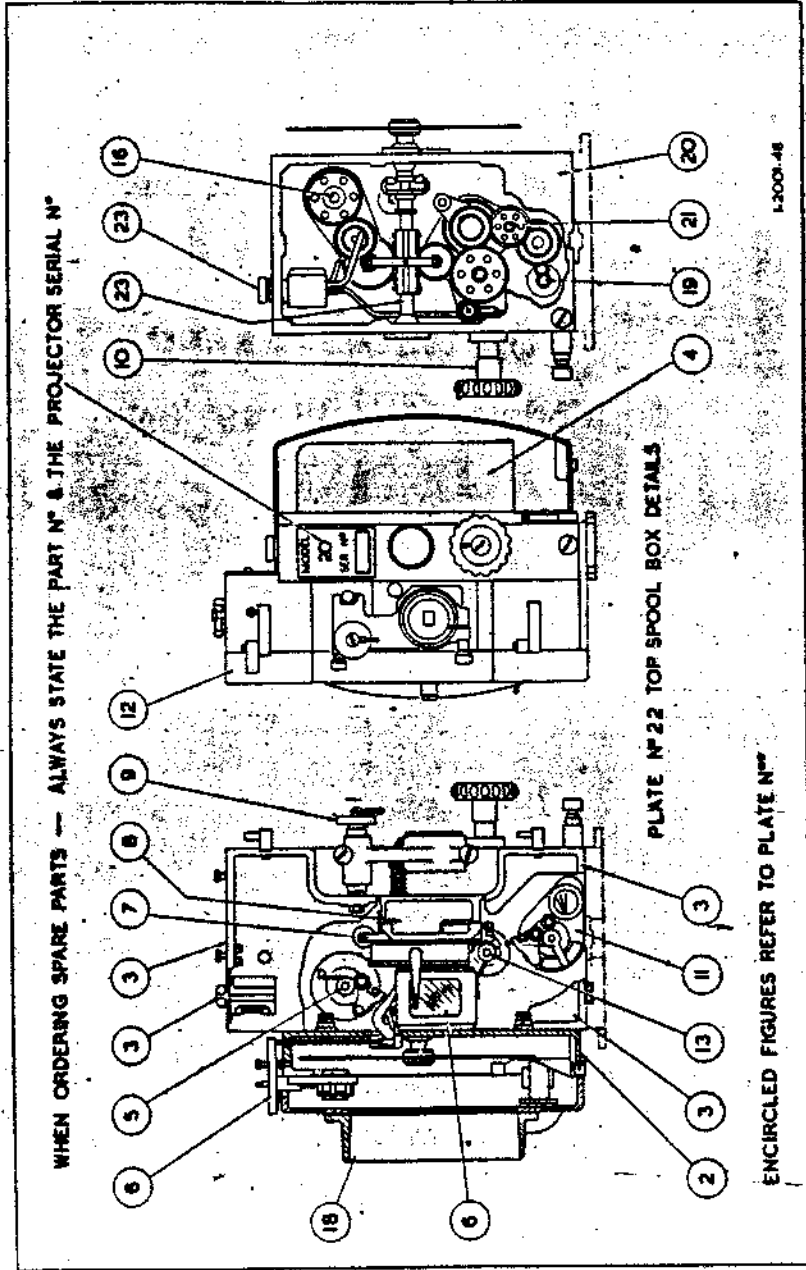
WASHERS, PINS AND SCREWS

0131A	Screw fixing	21275
0132A	Nut	21275
	"	21275
0135A	Screw	21277
	"	21281
0136A	Screw fixing plug Rear Cover	
0137A	Screw fixing	21280

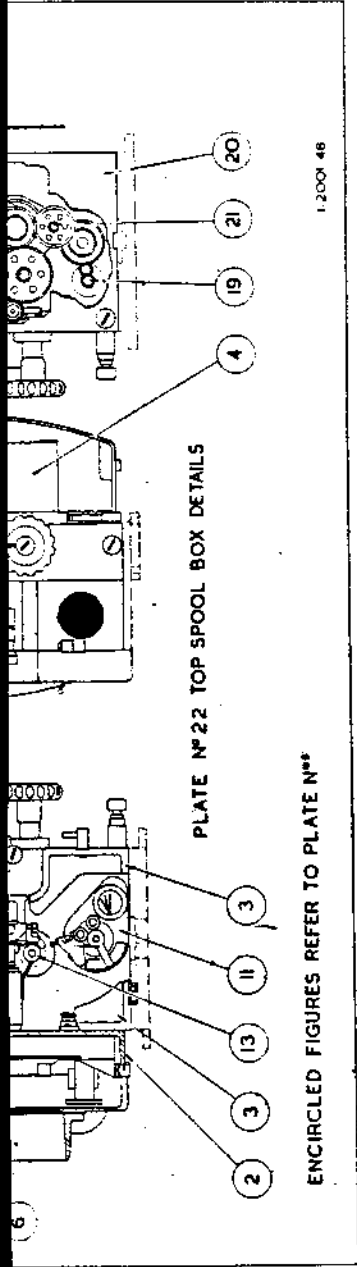


The following pages refer
to the
GAUMONT-KALEE
Models "20" and "19" only.

THE GAUMONT-KALEE "20" PROJECTOR MECHANISM KEY PLATE FOR THE COMPLETE ASSEMBLY

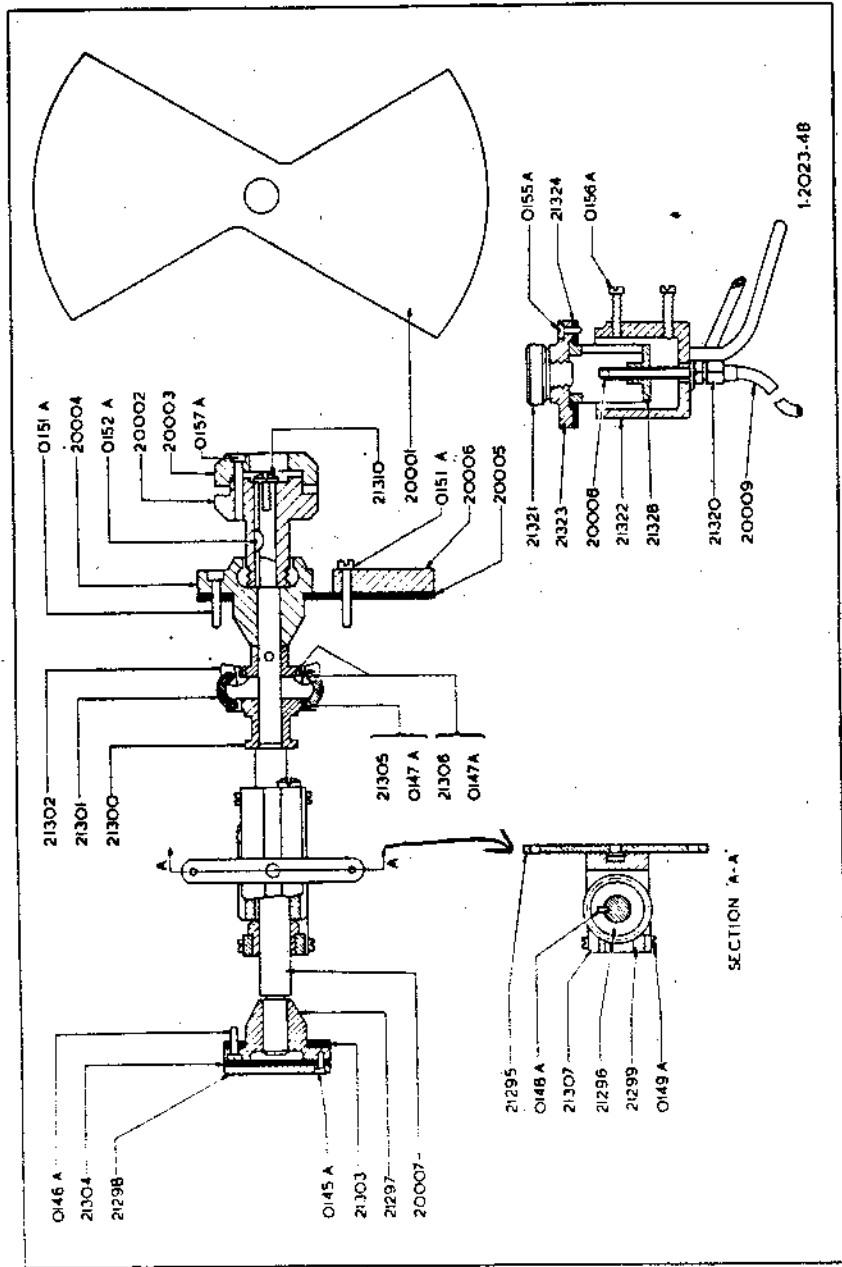


KEY PLATE No.	DESCRIPTION	PAGE No.	KEY PLATE No.	DESCRIPTION	PAGE No.
2	Shutter Case and Accessories	10	12	Projector Door	25

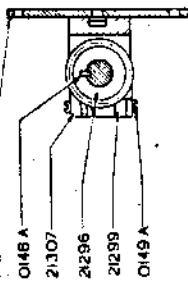


KEY PLATE No.	DESCRIPTION	PAGE No.	KEY PLATE No.	DESCRIPTION	PAGE No.
2	Shutter Case and Accessories	10	12	Projector Door	25
3	Complete Frame Extension	12	13	Intermittent Unit	25
4	Rear Cover	34	16	Top Gear Yoke	27
5	Top Sprocket Bearing Assembly	14	18	Cone and Shutter Covers	28
6	Light Cone and Shutter Linkage	16	19	Oil Pump	29
7	Gate Assembly	18	20	Main Frame	29
8	Gate Bracket Assembly	20	21	Intermittent Gear Yoke	30
9	Lens Holder	24	22	Top Spool Box Accessories	32
10	Masking Sleeve	24	23	Complete Shutter Shaft and Oil Filter	38
11	Bottom Sprocket, Front Bearing Assembly	22			

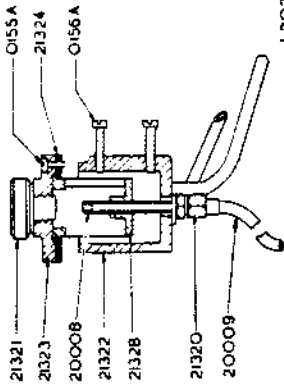
Plate No. 23. COMPLETE SHUTTER SHAFT AND OIL FILTER



PART No.	DESCRIPTION
20001	Shutter Single Speed
20002	Hub for Shutter
20003	Ring for Hub
20004	Bearing for Rear Shutter
20005	Oil Seal for Rear Bearing
20006	Sealing Plate
20007	Shutter Shaft and Governor Body Assembly
21301	Governor Link
21302	Governor Bob
21303	Oil Seal, Front Shutter Bearing
21304	Oil Seal, Front Cover Plate
21305	Joint Pin (Short)
21308	Joint Pin (Long)
21307	Complete Gear Yoke with Bushes and Washers



SECTION A-A



1-2023-48

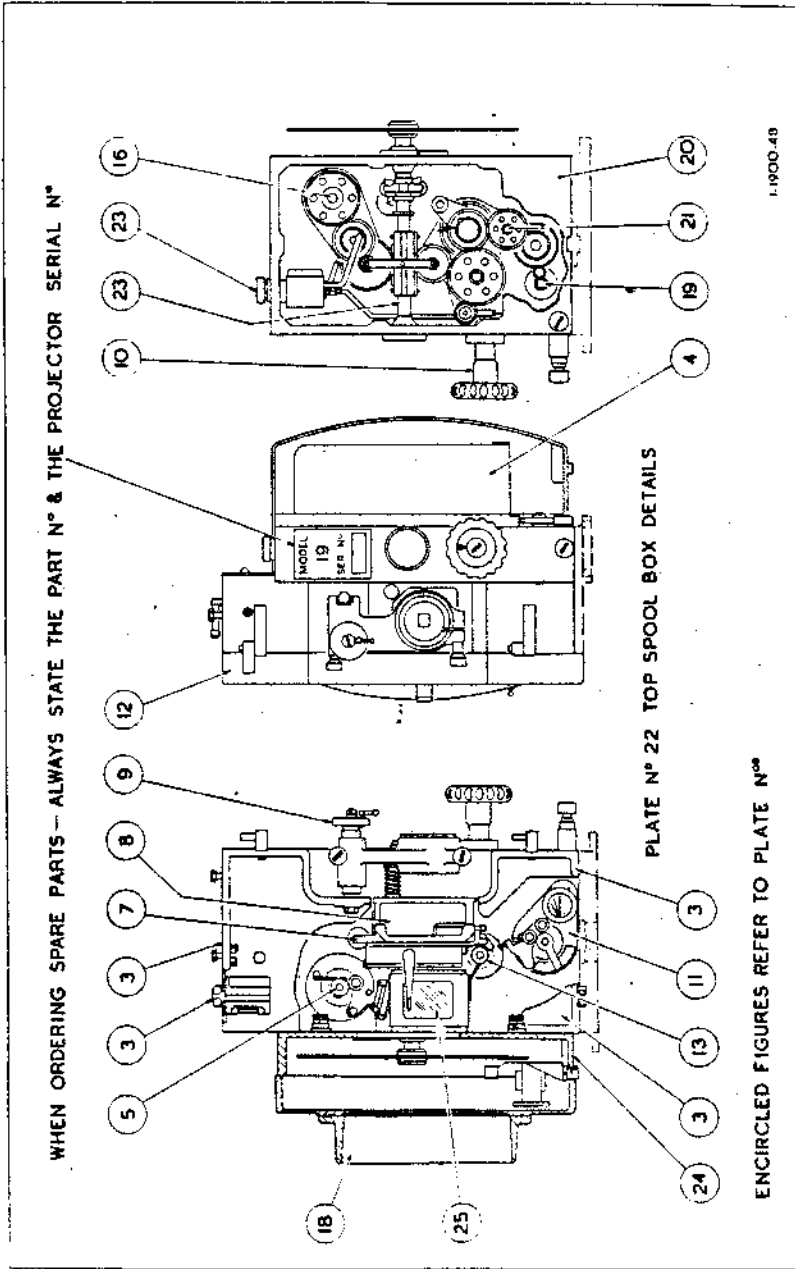
PART No.	DESCRIPTION
20001	Shutter Single Speed
20002	Hub for Shutter
20003	Ring for Hub
20004	Bearing for Rear Shutter
20005	Oil Seal for Rear Bearing
20006	Sealing Plate
20007	Shutter Shaft and Governor Body Assembly
20008	Oil Sight Pipe Complete
20009	Oil Feed Pipe Complete
21298	Complete Strap and Key
21296	Shutter Gear, 19 teeth, Steel
21297	Shutter Shaft Front Bearing
21298	Cover Plate Front Bearing
21299	Shutter Gear Rack
21300	Governor Sleeve

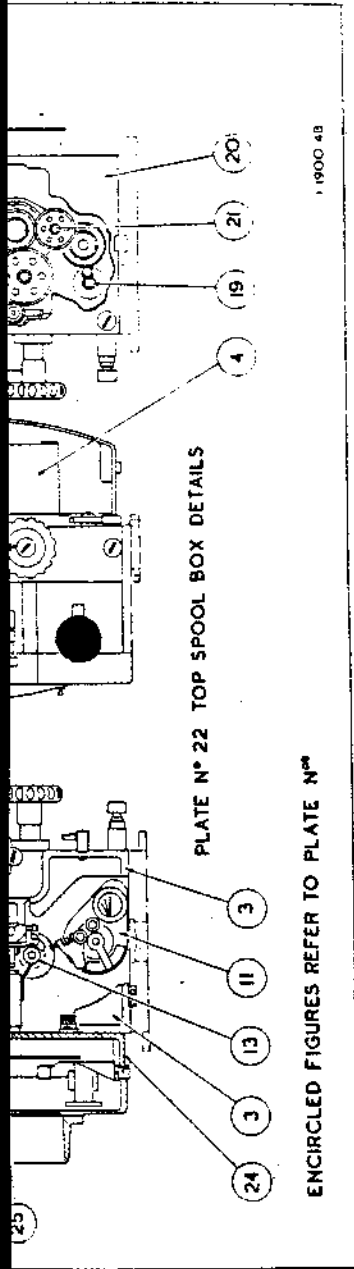
PART No.	DESCRIPTION
21301	Governor Link
21302	Governor Bob
21303	Oil Seal, Front Shutter Bearing
21304	Oil Seal, Front Cover Plate
21305	Joint Pin (Short)
21306	Joint Pin (Long)
21307	Complete Gear Yoke with Bushes and Washers
21310	Shutter Shaft Retaining Screw
21320	Nut for Lubricator Elbow
21321	Filler Plug
21322	Complete Oil Reservoir and Pipes
21323	Filler Plug Adaptor
21324	Oil Seal for Oil Filler
21328	Complete Oil Filter

WASHERS, SCREWS AND PINS

0145A	Screw fixing	21298
0146A	"	21297
0147A	Split Pin fixing	21305, 21308
0148A	No. 3 Woodruff Key for	21296, 21308
0149A	Screw fixing	21299
0151A	Screw fixing	20004, 20006
0152A	No. 2 Woodruff Key for	20002, 20007
0155A	Screw fixing	21323
0156A	"	21322
0157A	"	20002, 20003

THE GAUMONT-KALEE "19" PROJECTOR MECHANISM KEY PLATE FOR THE COMPLETE ASSEMBLY

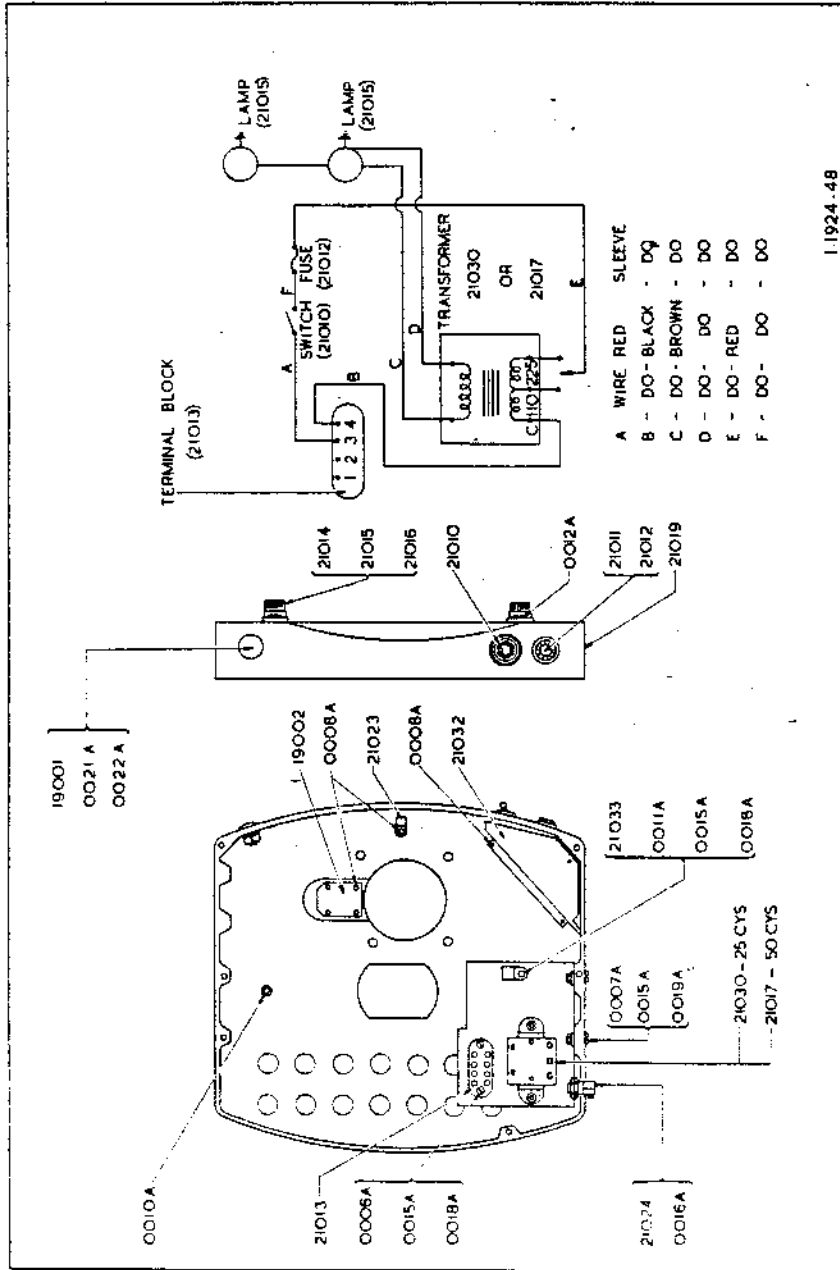




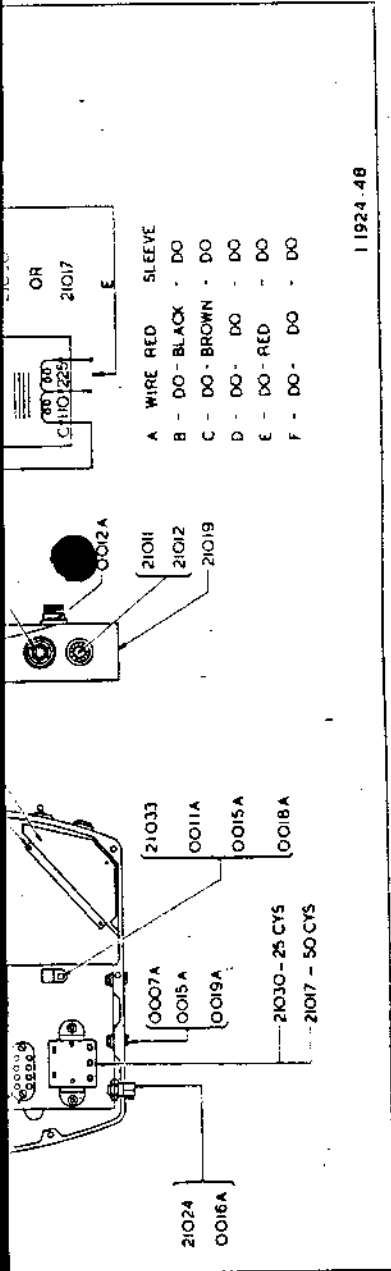
1 1900 48

KEY PLATE No.	TITLE	PAGE No.	KEY PLATE No.	TITLE	PAGE No.
3	Complete Frame Extensions	12	13	Intermittent Unit	25
4	Rear Cover	34	16	Top Gear Yoke	27
5	Top Sprocket Bearing Assembly	14	18	Cone and Shutter Covers	28
7	Gate Assembly	18	19	Oil Pump	29
8	Gate Bracket Assembly	20	20	Main Frame	29
9	Lens Holder	24	21	Intermittent Gear Yoke	30
10	Masking Sleeve	24	22	Top Spool Box Accessories	32
11	Bottom Sprocket Front Bearing Assembly	22	23	Complete Shutter Shaft and Oil Filter	38
12	Projector Door	25	24	Shutter Case and Accessories	42
			25	Complete Light Cone and Shutter Linkage	44

Plate No. 24. SHUTTER CASE AND ACCESSORIES GK.19.



PART No.	DESCRIPTION	PART No.	DESCRIPTION
19001	Cover Screw for 21019	21016	Lampholder
19002	Cover	21017	Transformer 50 cycle and Bracket
21010	Lamp Switch	21019	Shutter Case
21011	Panel Fuse Holder	21023	Cable Clip
21012	Spare Fuses	21024	Socket for Cable
21013	Terminal Block	21030	Transformer 25 cycle and Bracket



11924-48

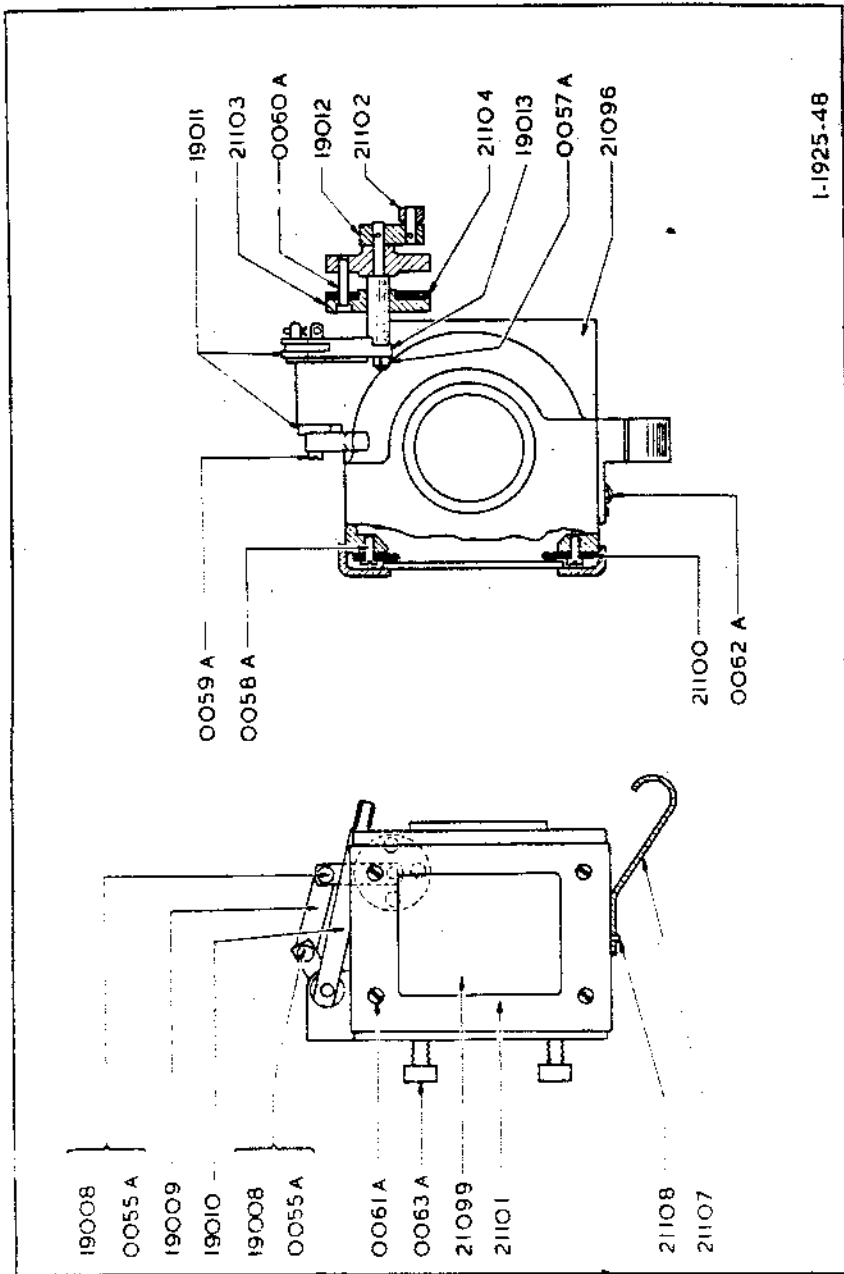
PART No.	DESCRIPTION	PART No.	DESCRIPTION
19001	Cover Screw for 21019	21016	Lampholder
19002	Cover	21017	Transformer 50 cycle and Bracket
21010	Lamp Switch	21019	Shutter Case
21011	Panel Fuse Holder	21023	Cable Clip
21012	Spare Fuses	21024	Socket for Cable
21013	Terminal Block	21030	Transformer 25 cycle and Bracket
21014	Bezel	21032	Wiring Cover
21015	Lamp	21033	Cable Clip

Wiring A, B, C, D, E, F.

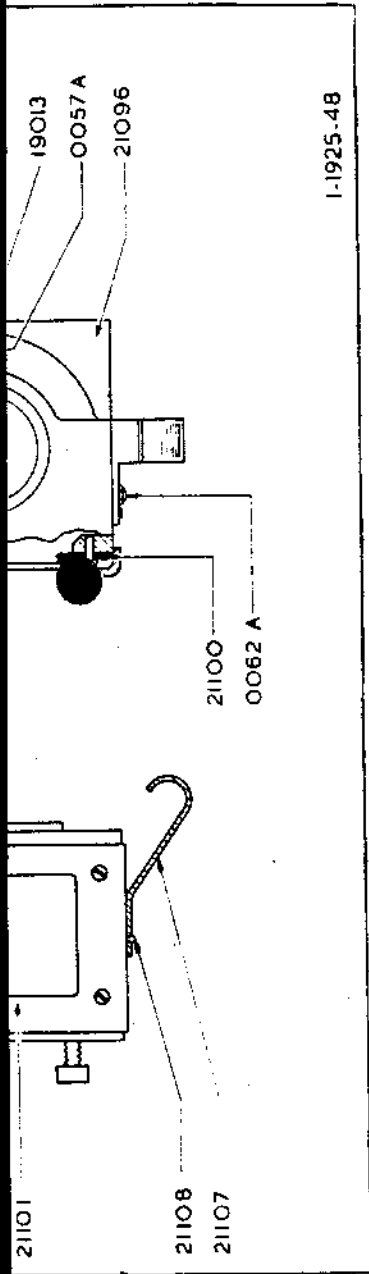
WASHERS, PINS AND SCREWS

0006A	Screw fixing 21013	0015A	Nut fixing 21013, 21017, 21030, 21033
0007A	" " 21017, 21030	0016A	" " 21024
0008A	" " 19002, 21023, 21032	0018A	Washer " 21013, 21033
0010A	" " 21019	0019A	" " 21017, 21030
0011A	" " 21033	0021A	Locknut " 19001
0012A	" " 21016	0022A	Washer. " 19001

Plate No. 25. COMPLETE LIGHT CONE AND SHUTTER LINKAGE GK19



PART No.	DESCRIPTION	PART No.	DESCRIPTION
19008	Pin	21100	Clip, Window
19009	Connecting Rod	21101	Cover, Window
19010	Shutter Arm	21102	Governor Spindle Roller
19011	Shutter Spindle and Crank Complete	21103	Governor Spindle Sleeve



1-1925-48

PART No.	DESCRIPTION	PART No.	DESCRIPTION
19008	Pin	21100	Clip, Window
19009	Connecting Rod	21101	Cover, Window
19010	Shutter Arm	21102	Governor Spindle Roller
19011	Shutter Spindle and Crank Complete	21103	Governor Spindle Sleeve
19012	Complete Safety Shutter Link	21104	Oil Seal for Shutter Link
19013	Crank, Governor	21107	Intermittent Stripper
21096	Light Cone	21108	Dowel for Stripper
21099	Glass Window		

WASHERS, PINS AND SCREWS

0058A	Split Pin fixing	19008	0060A	Screw fixing	21103
0057A	Nut fixing	19012	0061A	"	21101
0058A	Screw fixing	21100	0062A	"	21107
0059A	"	19010	0063A	"	21096

**Spare Parts
List**

**COMPLETE ADJUSTABLE GATE ASSEMBLY
FOR THE
GAUMONT-KALEE GK-21 & GK-20
PROJECTORS**

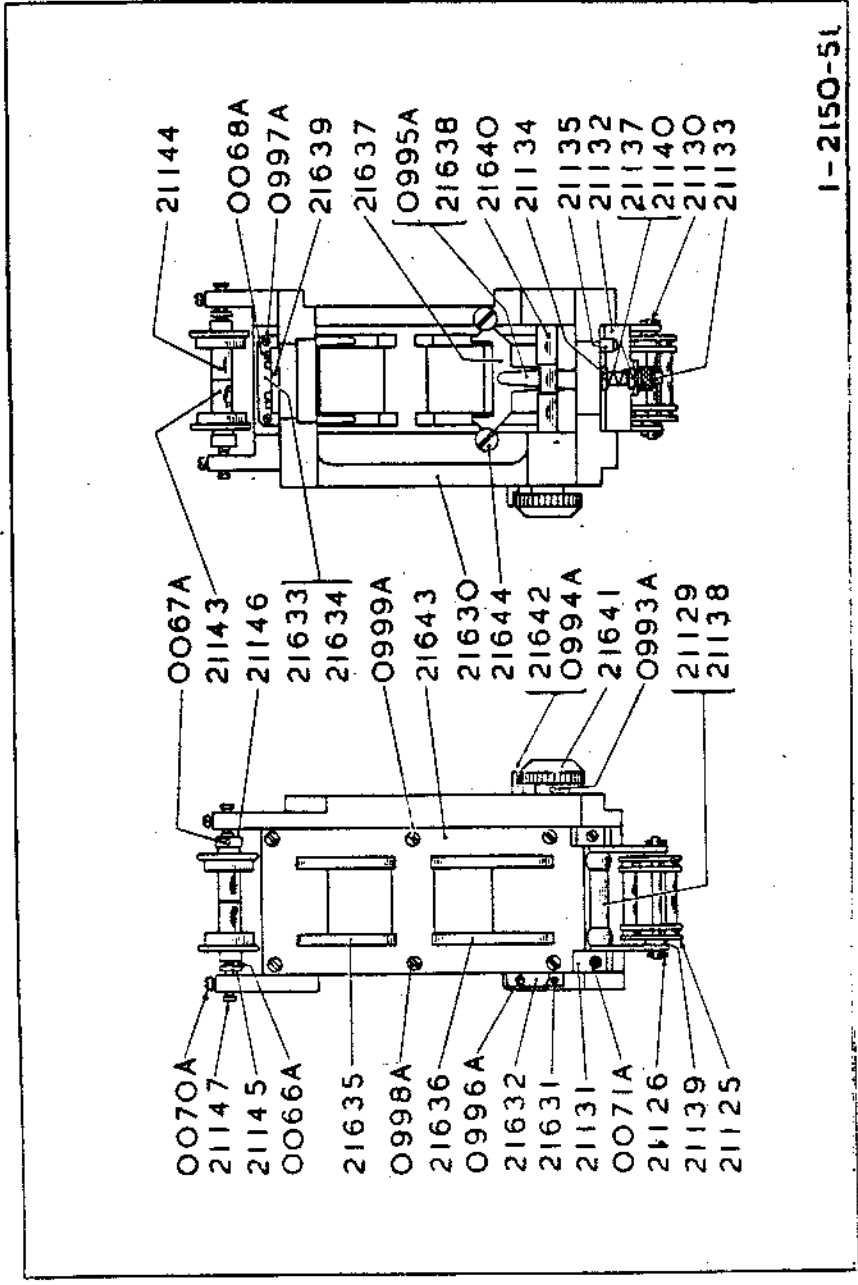
ISSUED BY



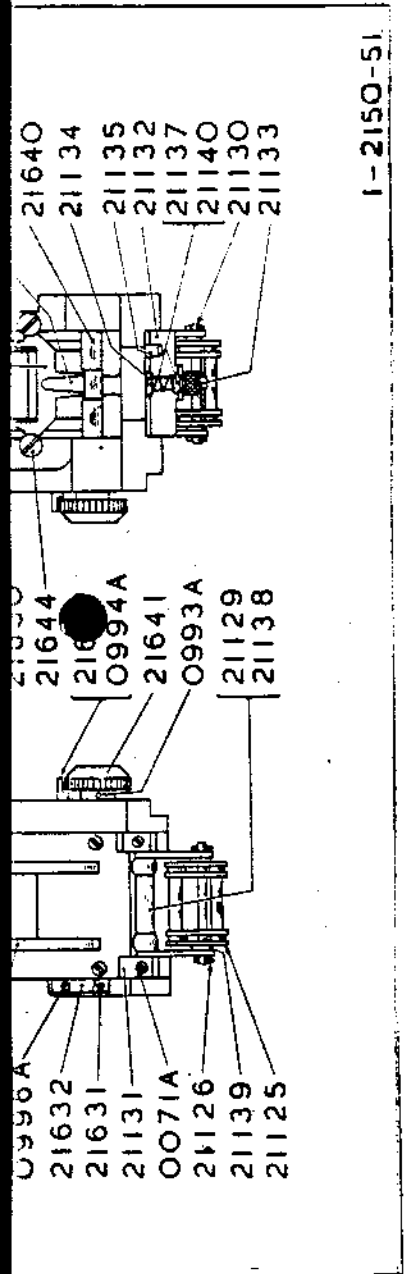
**G.B.-KALEE LTD.,
MORTIMER HOUSE
37-41 MORTIMER STREET
LONDON, W.1**

Telephone: MUSEum 5432
Telegrams: GEBKAY LONDON

COMPLETE ADJUSTABLE GATE ASSEMBLY FOR GK-21 & GK-20 PROJECTORS



PART No.	DESCRIPTION	PART No.	DESCRIPTION
21129	Shoe, Complete	21147	Pivot, for Roller Spindle
21126	Pin, Split	21630	Frame, Gate
21129	Roller, Gate	21631	Click, Stop
21130	Spindle, Shoe	21632	Spring, for Click Stop
21131	Clamp, Shoe Spindle	21633	Spring, Spacer
21132	Bracket, Shoe	21634	Spring, Top Gate Tension
21133	Nut, Adjusting, Shoe	21635	Top, Skate
21134	Stud	21636	Lower Skate



I-2150-51

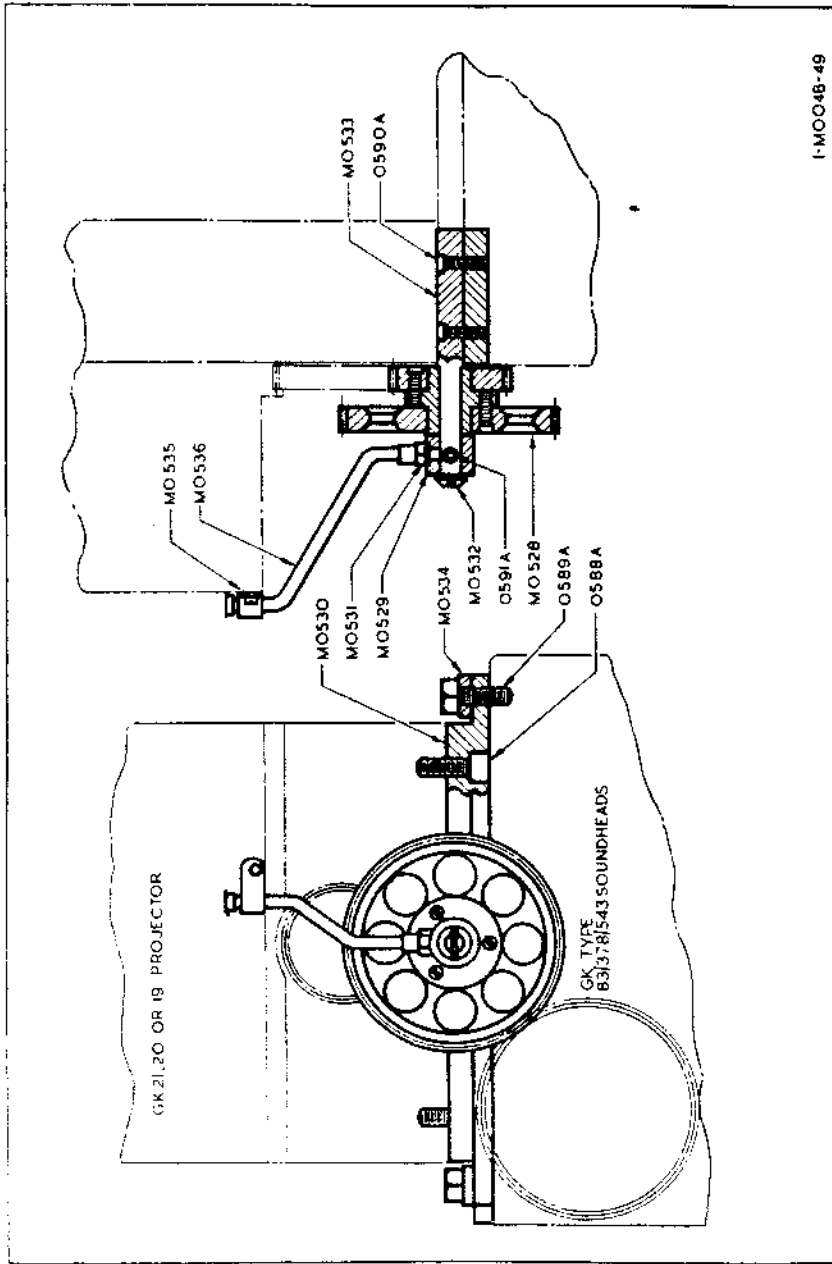
PART No.	DESCRIPTION
21147	Pivot, for Roller Spindle
21630	Frame, Gate
21631	Click, Stop
21632	Spring, for Click Stop
21633	Spring, Spacer
21634	Spring, Top Gate Tension
21635	Top, Skate
21636	Lower Skate
21637	Plate, Pressure
21638	Spring
21639	Plate, Location
21640	Roller, Eccentric
21641	Knob
21642	Pin, Indicator
21643	Gate Plate Complete with Pivot
21644	Stop Screw for Gate

PART No.	DESCRIPTION
21129	Shoe, Complete
21126	Pin, Split
21129	Roller, Gate
21130	Spindle, Shoe
21131	Clamp, Shoe Spindle
21132	Bracket, Shoe
21133	Nut, Adjusting, Shoe
21134	Stud
21135	Peg, Retaining
21137	Spring
21138	Spindle, Bracket
21139	Washer, for Shoe
21140	Roller, Tension
21143	Roller, Guide
21144	Roller, Pressure
21145	Spindle, Guide Roller
21146	Collar, Guide Roller

WASHERS, PINS AND SCREWS

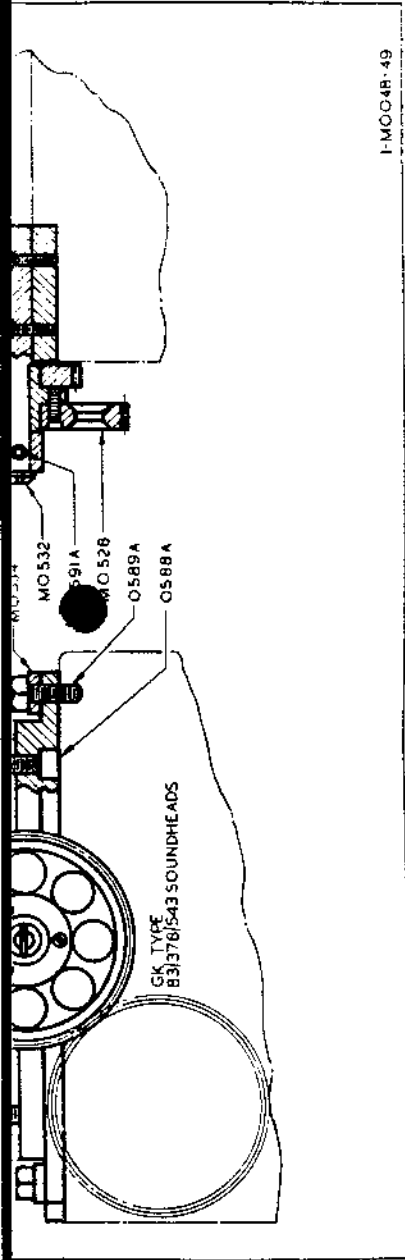
0066A	Complete Spring	21144	0994A	Screw, Fixing	21642
0067A	Screw, Fixing	21146	0995A	Screw, Fixing	21635
0068A	Screw, Fixing	21639	0996A	Screw, Fixing	21632
0070A	Screw, Fixing	21147	0997A	Screw, Fixing	21634
0071A	Screw, Fixing	21131	0998A	Screw, Fixing	21630
0963A	Pin, Fixing	21641	0999A	Screw, Fixing	21630

COMPLETE PLAIN-BEARING ADAPTER GEAR FOR G.K.'s 21, 20 AND 19 PROJECTOR MECHANISMS TO SOUNDHEADS TYPES 83/378/543



1-M0048-49

PART No.	DESCRIPTION	PART No.	DESCRIPTION
MO043	Gear, Adapter Complete	MO630	Plate, Adapter
		MO634	Clamp securing Soundhead



1-MCC-48-49

PART No.	DESCRIPTION	PART No.	DESCRIPTION	PART No.	DESCRIPTION
MO043	Gear, Adapter Complete	MO530	Plate, Adapter	MO534	Clamp securing Soundhead and MO530
MO528	Gear, Adapter Assembly (Gear 51T-St—Pinion 34T-F)	MO531	Washer, Pipe, Oil	MO535	Clip securing MO536
MO529	Collar, Adapter	MO532	Screw, Post Adapter	MO536	Pipe, Oil, Complete

WASHERS, PINS AND SCREWS

0588A	Screw fixing MO530 and Projector	0590A	Screw fixing MO533
0589A	" " MO530 and Soundhead	0591A	Screw fixing MO529

DISTRIBUTED
BY :—

A GAUMONT-KALEE PRODUCT

by



MORTIMER HOUSE
37-41 MORTIMER STREET
LONDON W.1

TELEPHONE: MUSEUM 442
TELEGRAMS: GEMKAY, WINDO, LONDON