

Film-Tech

The information contained in this Adobe Acrobat pdf file is provided at your own risk and good judgment.

These manuals are designed to facilitate the exchange of information related to cinema projection and film handling, with no warranties nor obligations from the authors, for qualified field service engineers.

If you are not a qualified technician, please make no adjustments to anything you may read about in these Adobe manual downloads.

www.film-tech.com

Kabel- und Anschlußpläne ERNEMANN 15
Cable- and Connection diagrams ERNEMANN 15

Blatt/Page 1. E15 35/16 CP65 2 Projektoren
(2 projectors)

Blatt/Page 2. E15 35/16 CP65

Blatt/Page 3. Ernemann 35/16 Ton
(35/16 sound)

Blatt/Page 4. E15 Netz
(power supply)

Blatt/Page 5. E15 Überblendung
(change over)

Blatt/Page 6. Projektorwerk E15
(projectorhead)

Blatt/Page 7. E15 Fernbedienung
(remote control)

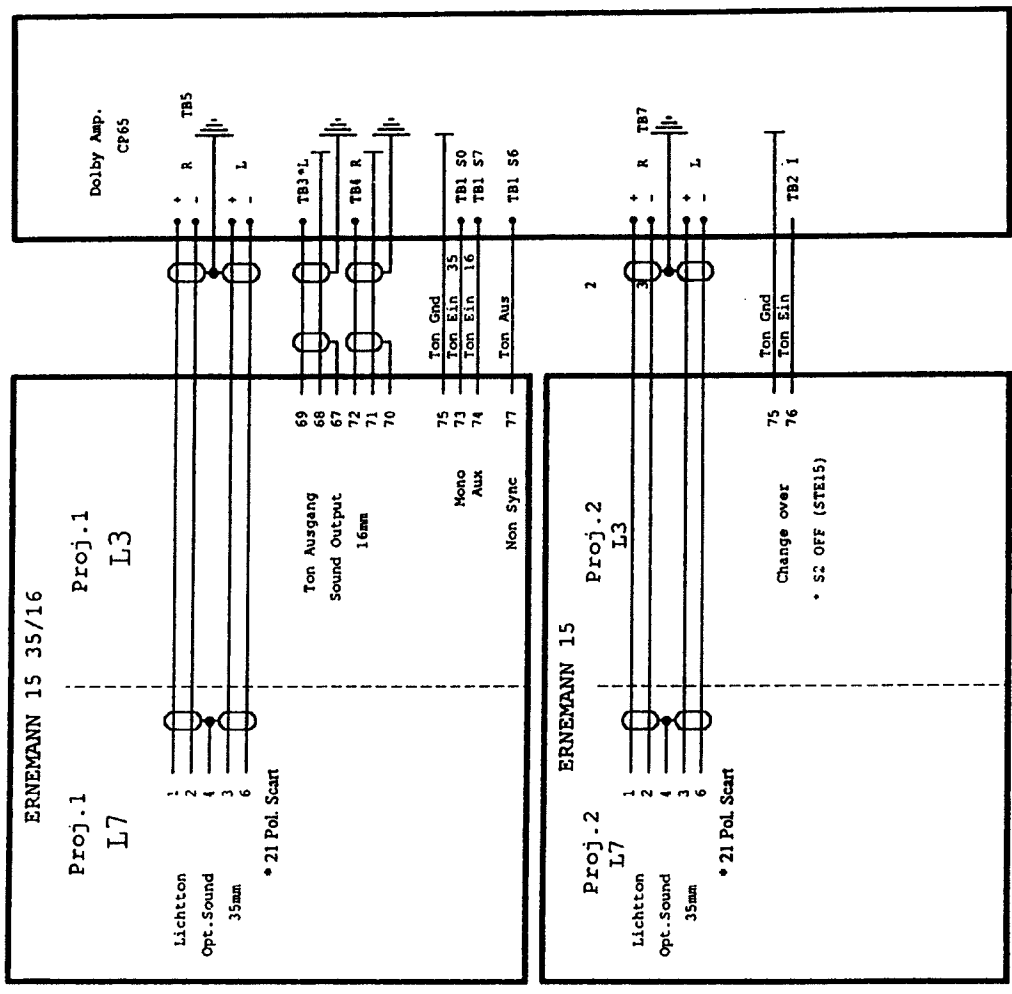
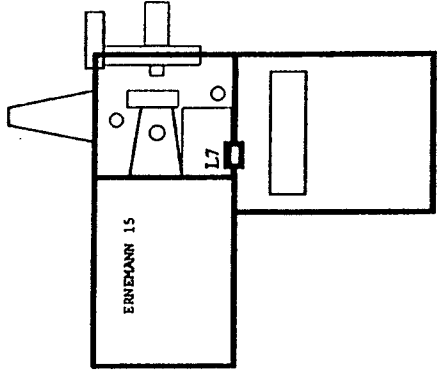
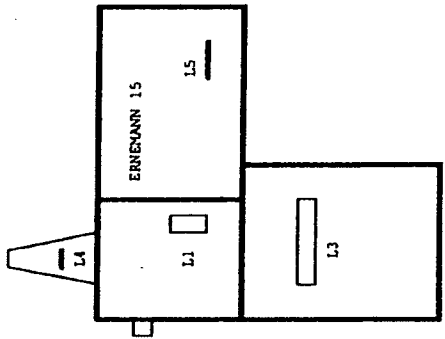
Blatt/Page 8.

Blatt/Page 9. Schalterbelegung
Steuerelektronik E15
(DIP switches control PCB)

Blatt/Page 10.

Blatt/Page 11. E 15 35/16 CP 65/DA 20
Laser Audio Sound
Steckerbelegung/ Anschlußplan
Plug connection/ Wiring diagram

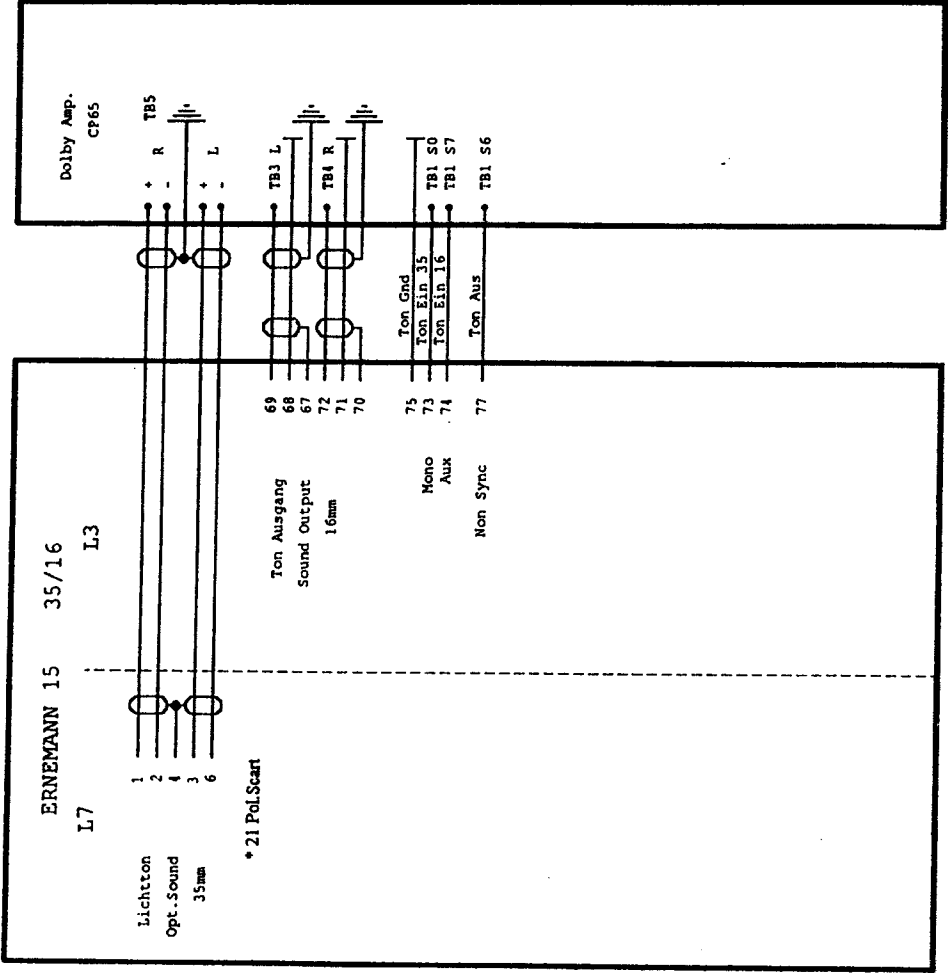
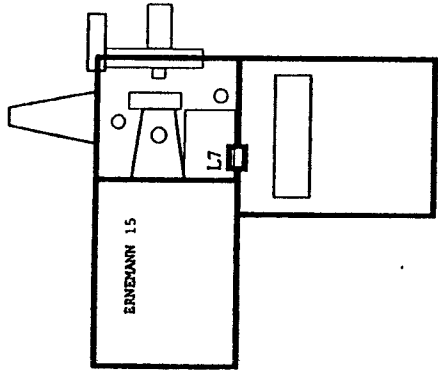
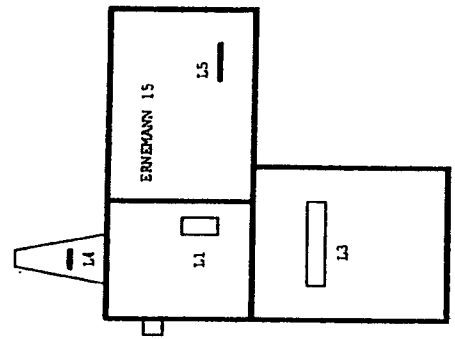
INHALT/KINO/KK/TW



Blatt 1

* Ab Ser. Nr.: 2000

Title		E15 35/16 CP65 2 Projektoren	
Size	Number	Revision	003
A4			09.05.96
Date	9-May-1996		Sheet of 1
File	C:\CLIENTUE\CP65\SCH		Drawn By: HL

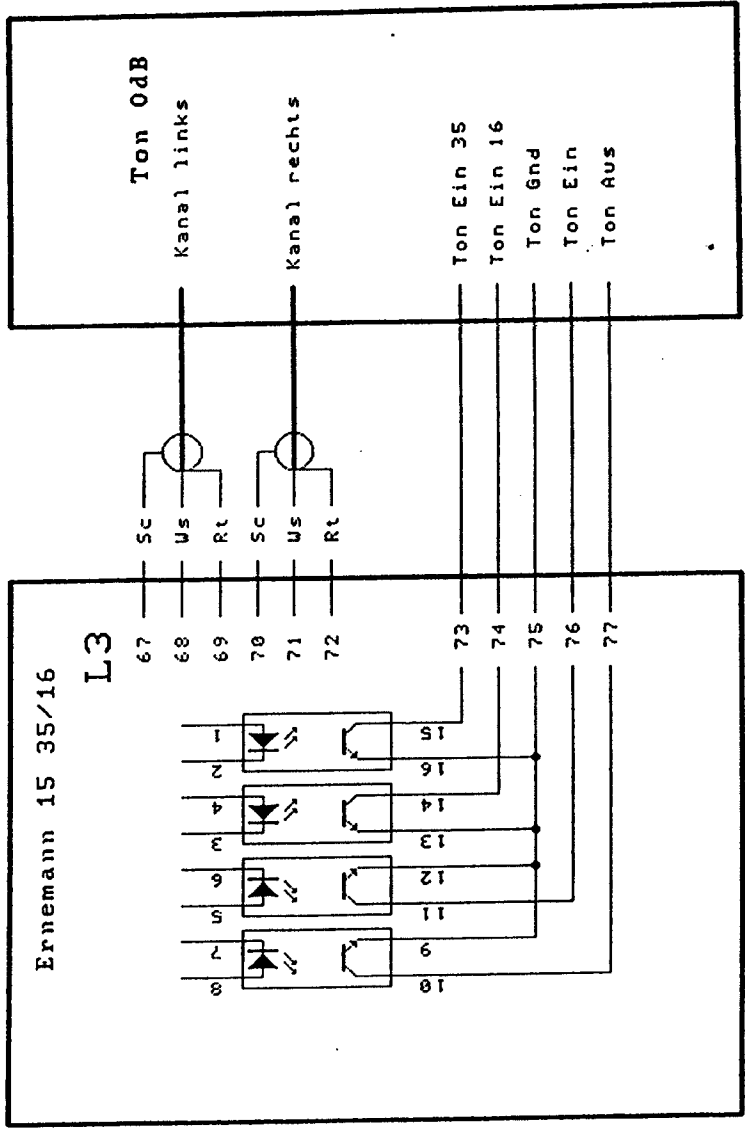
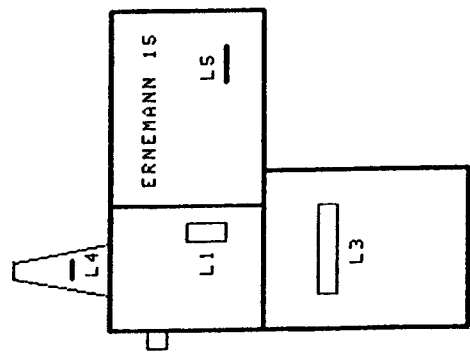


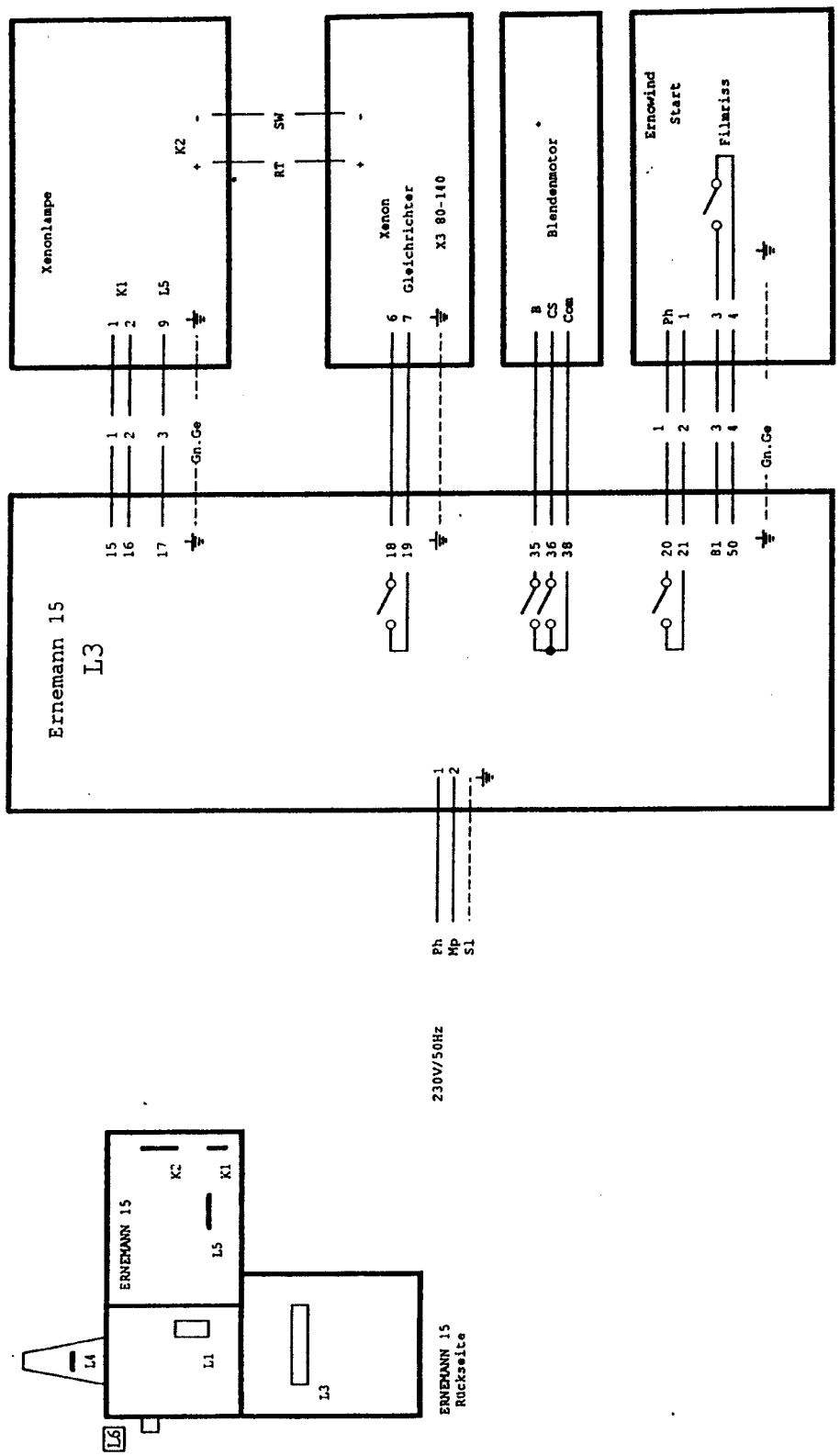
Blatt 2

Ab Ser. Nr.: 2000

Title E15 35/16 CP65

Size	Number	Revision
A4		001
Date:	9. May. 1996	09.05.96
File:	C:\CLIENT\ER\CP65.SCH	
Sheet of		1
Drawn By:		HL

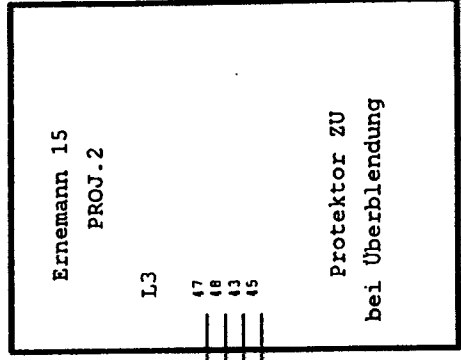
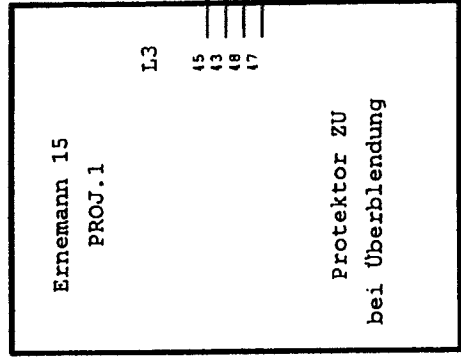
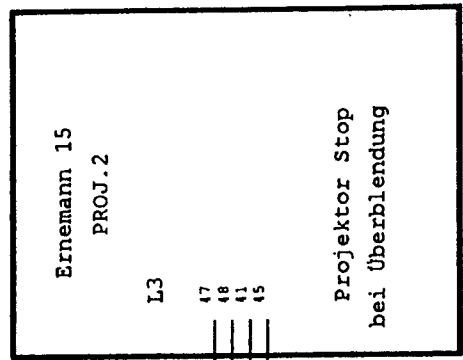
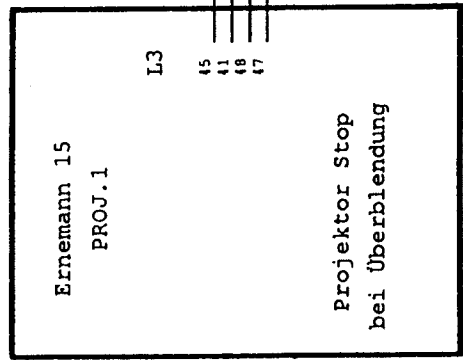
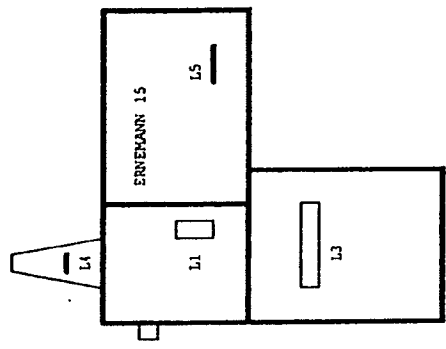




Title		E15 Netz	
Size	Number	Revision	002
A4			27.01.96
Date	Sheet 1 of		1
9. May. 1996	Drawn By:		HL
File:	C:\CLIENTE\NETZSCH		

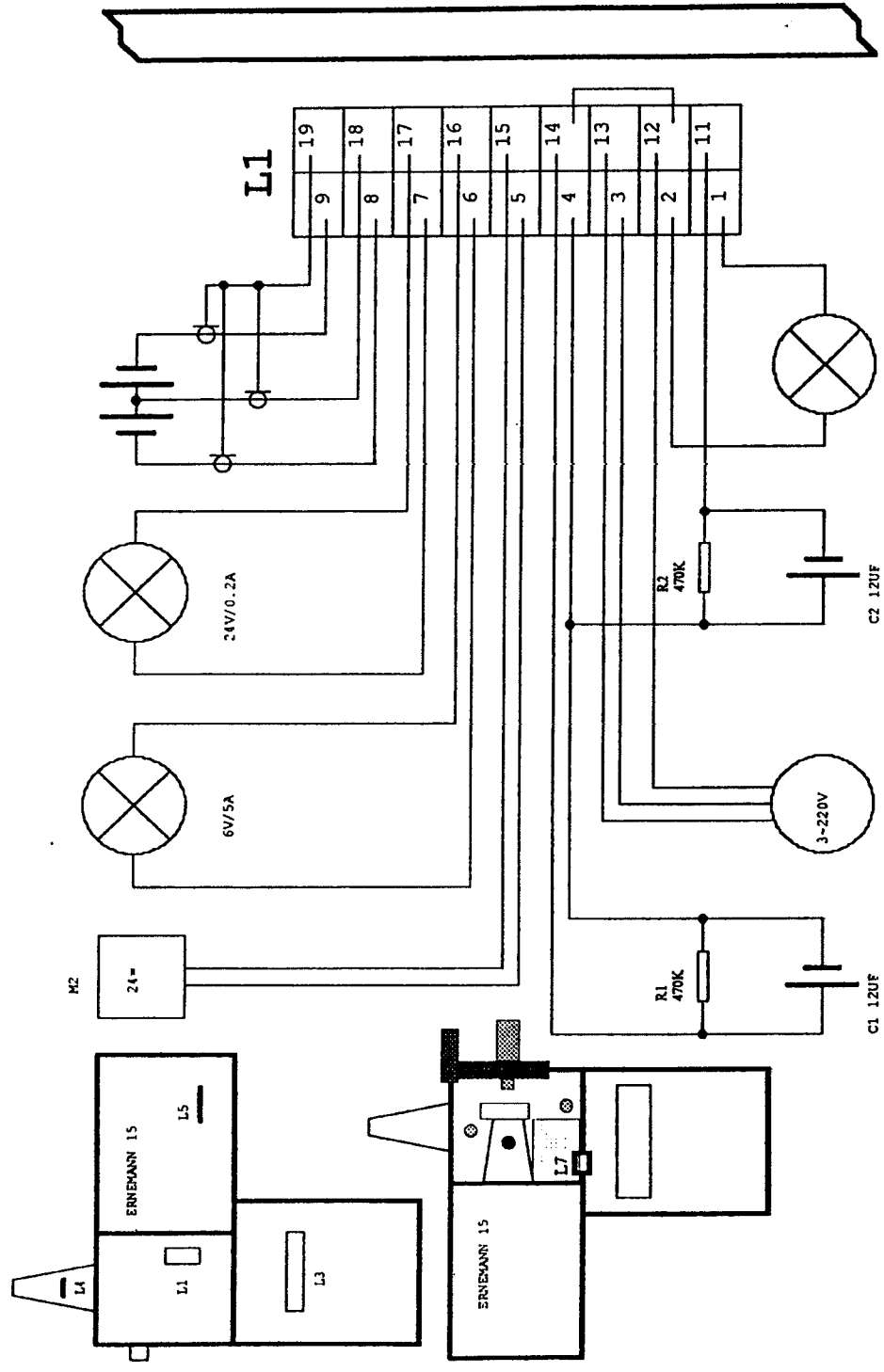
Blatt 4

* Nur bei Verwendung ohne Cinemat 8000.



Title: E15 ÜBERBLENDUNG

Size	Number	Revision	003
A4			09.05.96
Date:	9-May-1996		Sheet of 1
File:	CSCLIENTE\UEBER.SCH		Drawn By: RL

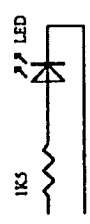
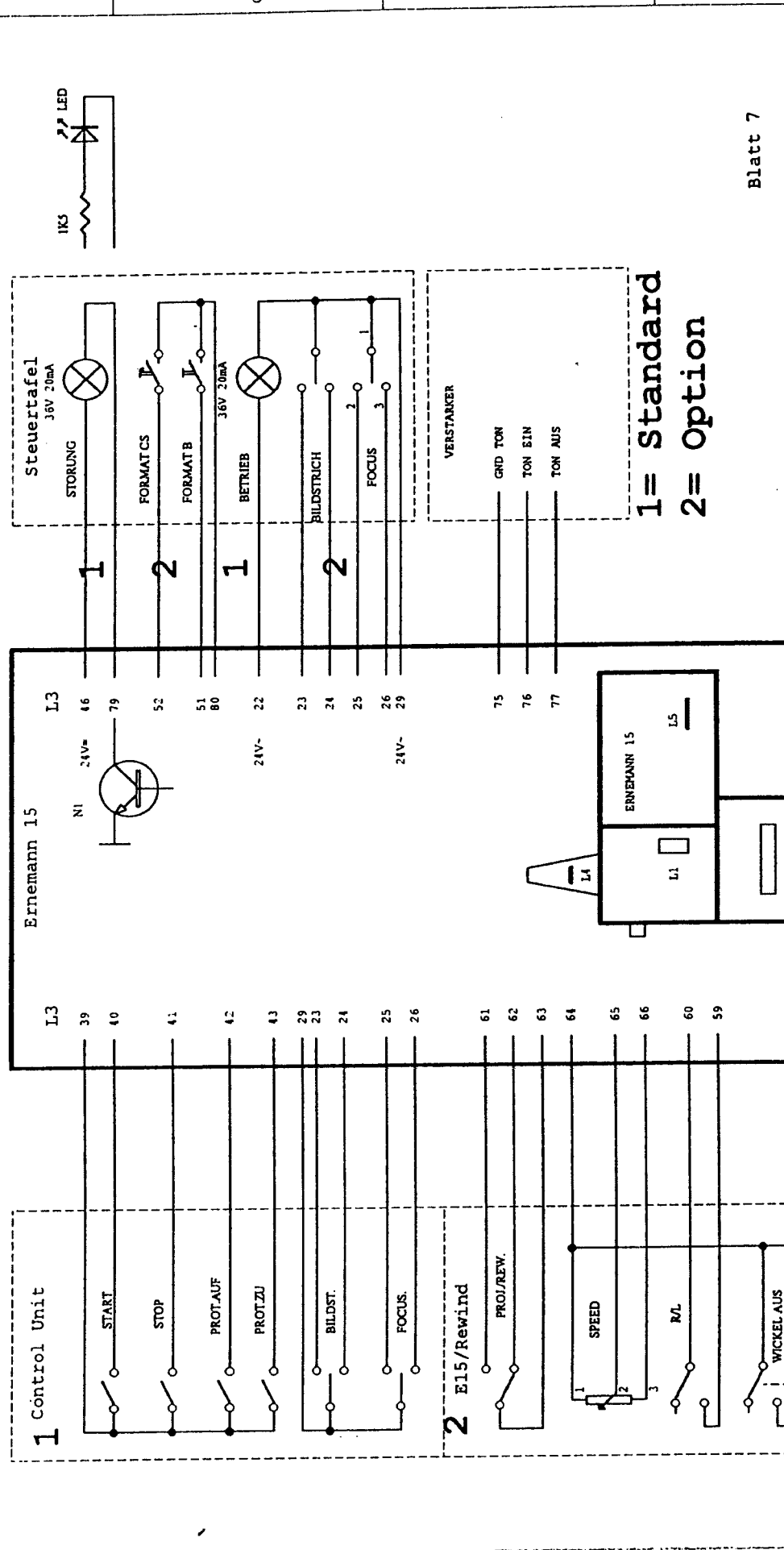


- Ab Ser. Nr. : 2000
 Startstecker L7
 am Tongerät
- 19 Schirm
 - 9 LT Rechts
 - 18 LT Gnd
 - 8 LT Links
 - 17 Bel. Bildstrich
 - 7 Bel. Bildstrich
 - 16 Tonlampe +
 - 6 Tonlampe -
 - 15 Protektor +
 - 5 Protektor -
 - 14 Br. 12
 - 4 C1 16UF Ph
 - 13 Ph Motor
 - 3 Mp Motor
 - 12 Br. 14
 - 2 Lampe Betrieb
 - 11 Ph Sanftanlauf
 - 1 Lampe Betrieb

- 3 Ge/Bn
- 13 Bl/Gn
- 12 Rt/Vio

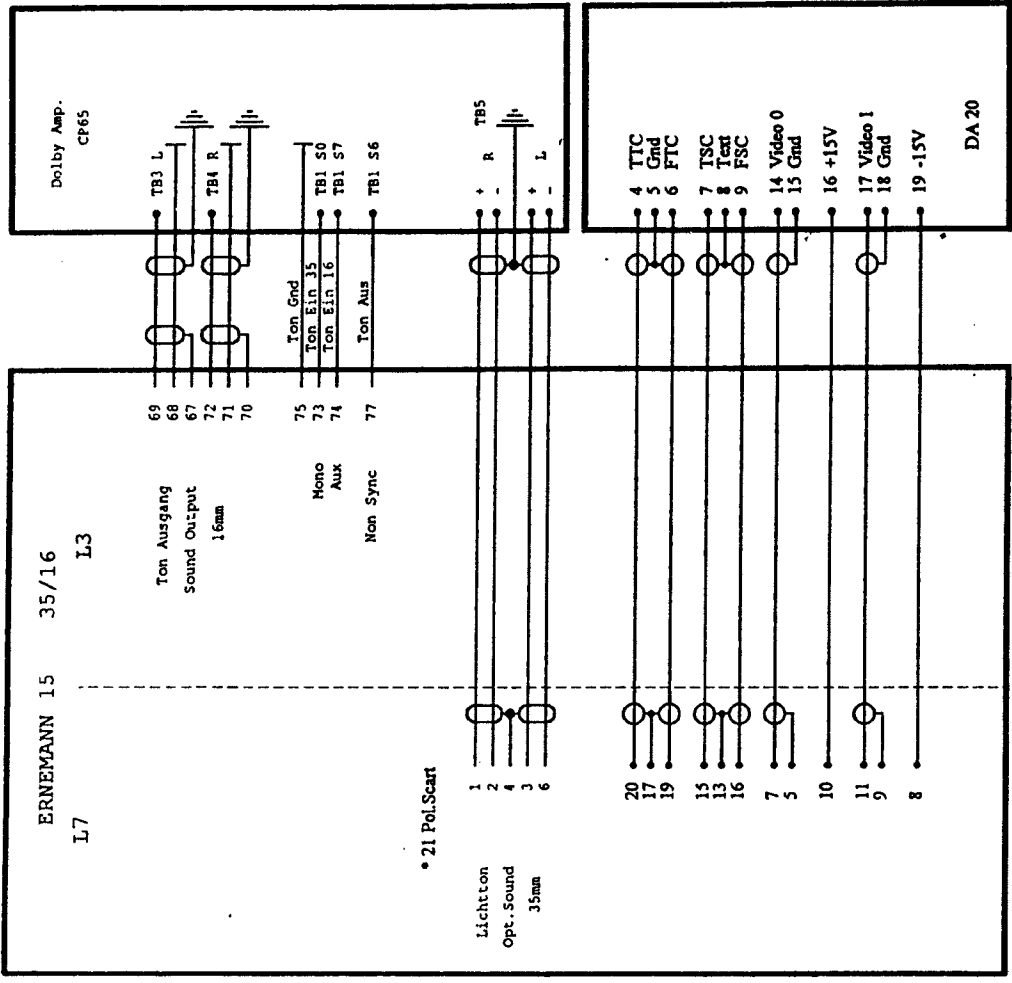
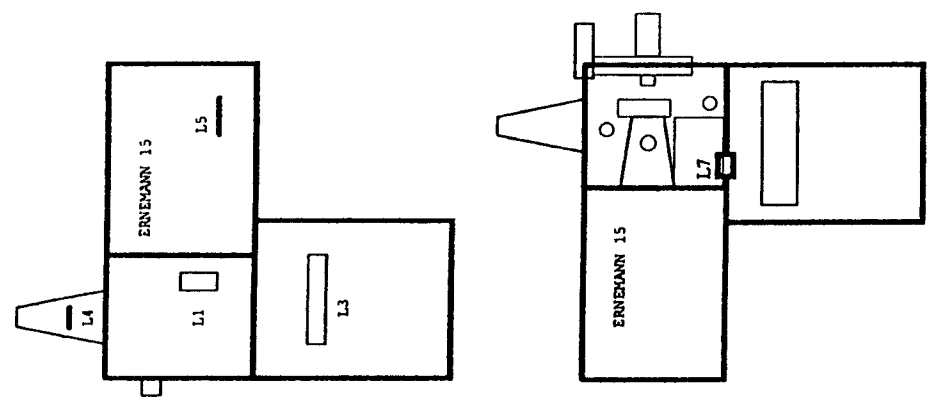
Title Projektorwerk E15

Size	Number	Revision
A4		003
Date:	9. May. 1996	Sheet of 1
File:	C:\CLIENT\VEIS\WERK\SCH	Drawn By: HL



Title: E15 Fernbedienung

Size	Number	Revision	902
A4			27.01.96
Date:	9-May-1996	Sheet of	1
File:	C:\CLIENTE\1\FERNB.SCH	Drawn By:	HL



Blatt 11

Ab Ser. Nr.: 2000

Title		E15 35/16 CP65/DA 20	
Size	Number	Revision	000
A4			09.05.96
Date	9-May-1996		Sheet of 1
File	C:\CLIENTE\DIGI\SCH		Drawn By HL

Schalterbelegung Steuerelektronik ERNEMANN 15

STE 15 Nr. 37-095.05

Programm 5C31

Dipschalter B3,1 - B3,8

Funktion	Schalter Nr.	OFF	ON
Ton Aus mit Prot. zu	B3,1	Kein Impuls	Impuls
Ton Ein	B3,2	Statisch	Impuls
Lüfter Nachlaufzeit	B3,3	15 Min.	3 Min.
Xenon Nachlaufzeit	B3,4	15 Sek.	3 Min.
Filmriß Ausgang	B3,5	Statisch	Impuls
Filmriß Ausgang	B3,6	Prot. Auf	Mit Motor Ein
Formatwechsel	B3,7	Immer	Mit Motor Ein
Anlaufzeit	B3,8	Schnell	Normal

B3,1 Funktion geändert !

B3,1 OFF = Keine Tonformatänderung mit Prot. zu.

Ton Aus kommt dann nur bei Filmriß mit Prot. Auf.

Standarteinstellung

ON 23 78
OFF 1 456

STE15 Nr. 37-095.05

Program 5C31

Dipschalter B3,1 - B3,8

Function	Switch No.	ON	OFF
Sound Off/Prot.closed	B3,1	No Pulse	Pulse
Sound On	B3,2	Static	Pulse
Fan Delay	B3,3	15 min.	3 min.
Xenon Delay	B3,4	15 sec.	3 min.
Filmtear Output	B3,5	Static	Pulse
Filmtear Output	B3,6	Prot. Open	Motor On
Formatchange	B3,7	every time	w. Motor On
Running-in period	B3,8	fast	normal

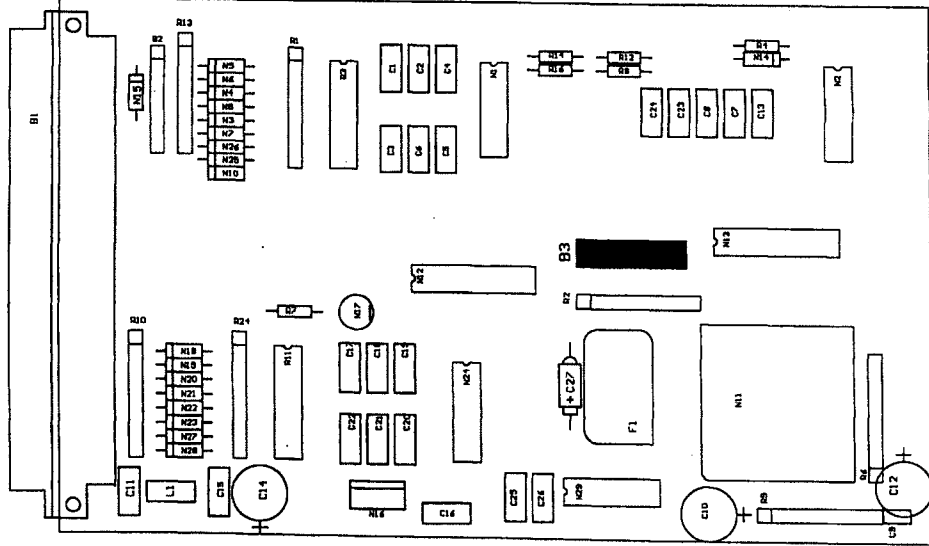
B3,1 Function changed!

B3,1 Off = No Soundformat change with Prot. closed.

Sound Off only with Filmtear with Prot. closed

Standardisation

ON 23 78
OFF 1 456



B3

- 1=Ton Aus mit Prot. zu
- 2=Ton Ein
- 3=Lüfter Zeit
- 4=Xenon Zeit
- 5=Filmriß Ausg
- 6=Filmriß Ausg. Off = auch bei Uorla
- 7=Formatwechsel immer mit Motor ein
- 8=Startablauf schnell langsam

ON

OFF

stati.

stati.

15Min

15Sec

Impuls

Impuls

5Min

3Min

Impuls

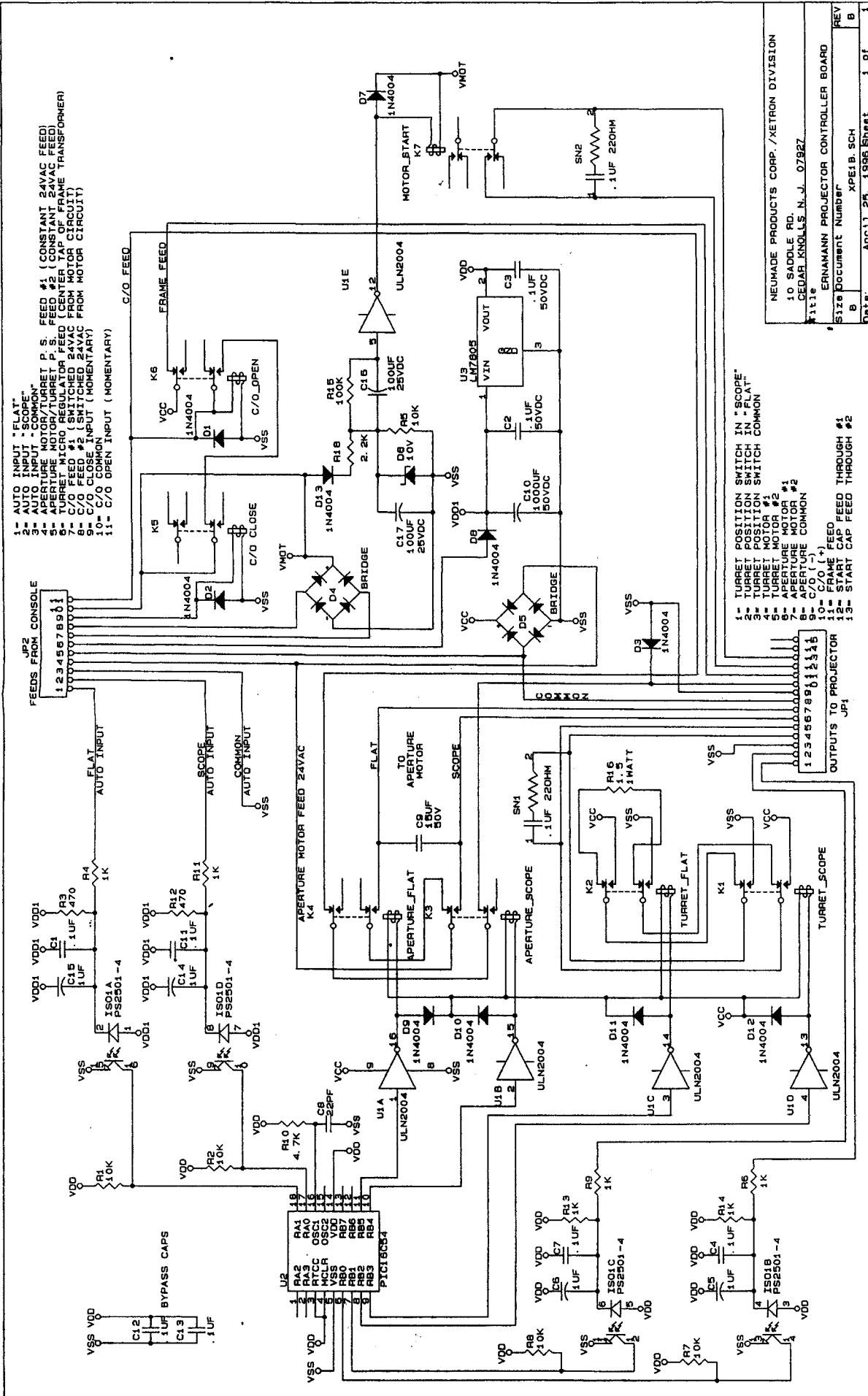
stati

stati

immer

schnell

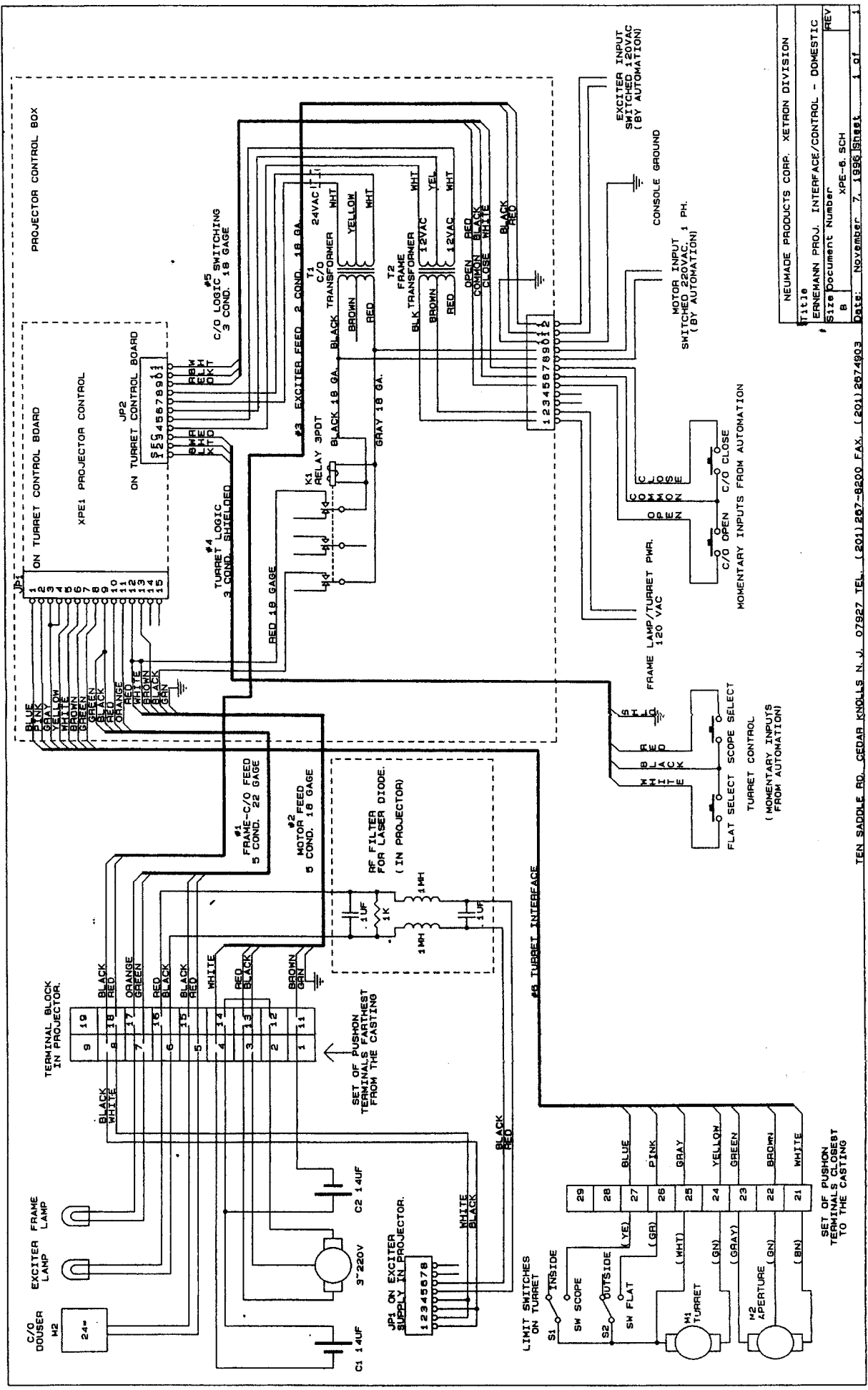
langsam



- 1- AUTO INPUT "FLAT"
- 2- AUTO INPUT "SCOPE"
- 3- AUTO INPUT COMMON
- 4- TURRET MOTOR/TURRET P. S. FEED #1 (CONSTANT 24VAC FEED)
- 5- APERTURE MOTOR/TURRET P. S. FEED #2 (CONSTANT 24VAC FEED)
- 6- TURRET MICRO REGULATOR 24VAC (CENTER TAP OF FRAME TRANSFORMER)
- 7- C/O FEED #1 (SWITCHED 24VAC FROM MOTOR CIRCUIT)
- 8- C/O FEED #2 (SWITCHED 24VAC FROM MOTOR CIRCUIT)
- 9- C/O COMMON INPUT (MOMENTARY)
- 10- C/O COMMON INPUT (MOMENTARY)
- 11- C/O OPEN INPUT (MOMENTARY)

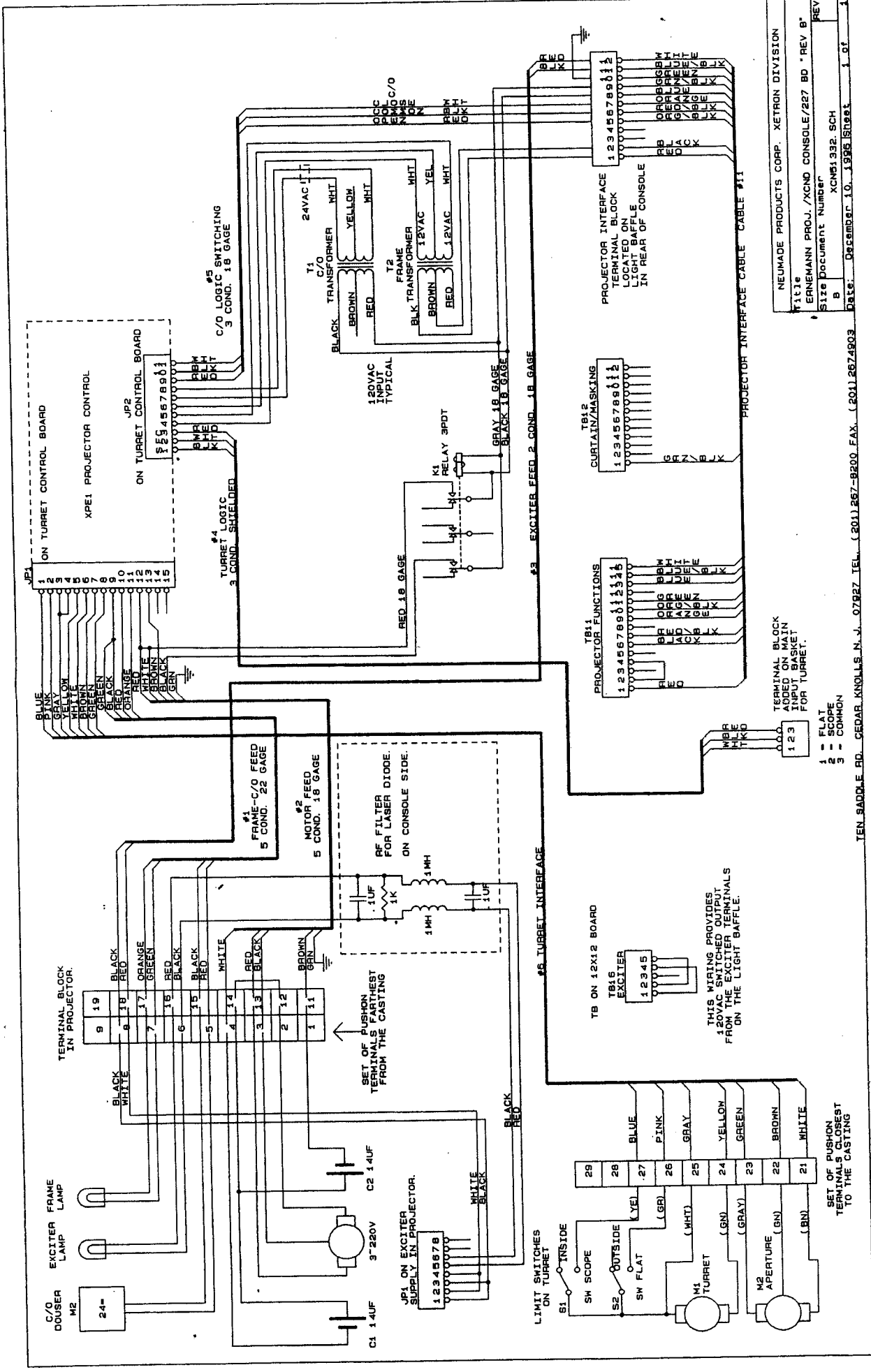
- 1- TURRET POSITION SWITCH IN "SCOPE"
- 2- TURRET POSITION SWITCH IN "FLAT"
- 3- TURRET MOTOR #1
- 4- TURRET MOTOR #2
- 5- APERTURE MOTOR #1
- 6- APERTURE MOTOR #2
- 7- APERTURE COMMON
- 8- C/O ()
- 9- C/O ()
- 10- FRAME FEED
- 11- SCOPE FEED
- 12- START CAP FEED THROUGH #1
- 13- START CAP FEED THROUGH #2

NEUWADE PRODUCTS CORP./XETRON DIVISION
 10 SADDLE RD.
 CEDAR KNOLLS N.J. 07927
 Title ERNAMANN PROJECTOR CONTROLLER BOARD
 Size Document Number XPE1B.SCH
 REV B
 Date: APR 11 25 1985 Brett 1 of 1



NEUMADE PRODUCTS CORP. XETRON DIVISION
Title
ERNEMANN PROJ. INTERFACE/CONTROL - DOMESTIC
Size
Document Number
XPE-6-SCH
REV
B
Date: November 7, 1986 (Issue 1)

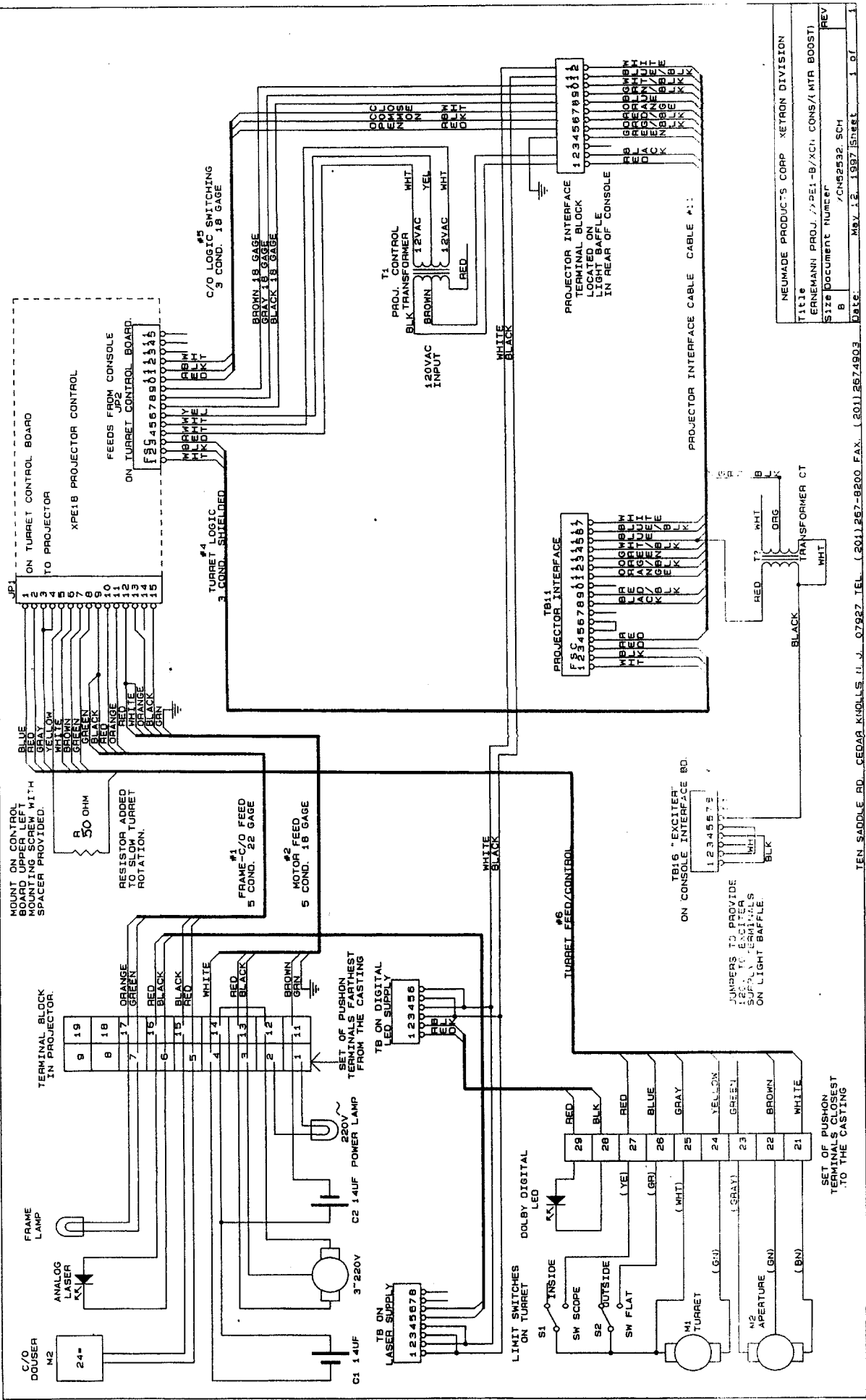
TEN SADDLE RD., CEDAR KNOLLS N.J. 07927 TEL. (201) 207-8500 FAX. (201) 207-4903



NEUMADE PRODUCTS CORP. XETRON DIVISION
 1111
 ERNEMANN PROJ./XCND CONSOLE/227 BD "REV B"
 Size Document Number XCN51332 SCH
 B
 Date: December 10, 1996 150881

TERMINAL BLOCK
 ADDED ON MAIN
 INPUT BASKET
 FOR TURRET.
 1 - FLAT
 2 - SCOPE
 3 - COMMON

TEN SADDLE RD. CEDAR KNOLLS, N. J. 07927 TEL. (201) 267-8200 FAX. (201) 267-4903



NEUMADE PRODUCTS CORP. XETRON DIVISION
 TITLE ERNEMANN PROJ. / PDE1-B/XCH CONS/MTR BOOST)
 SIZE Document Number / CHM2932 SCH
 REV B
 Date: MSV.12.1997 ENTERT 1 01

TEN SADDLE RD., CEDAR KNOLLS, N.J. 07927 TEL. (201) 267-8200 FAX. (201) 267-4903

NOTES

TERMS 2, 4, 6, 7, 8, 9, 10 ARE USED FOR INTERFACE OF THE AUTOMATION FUNCTIONS FROM THE MICRO 15X AUTOMATION.

IF ANOTHER AUTOMATION IS USED, THE FUNCTIONS WILL BE DERIVED FROM THE OUTPUT TERMINALS OF THAT AUTOMATION, UNLESS SPECIFIED BY THE CUSTOMER THAT THEY WOULD LIKE THE AUTOMATION FUNCTIONS INTERFACED TO THESE BLOCKS.

* TO ACTIVATE FIRE ALARM MADE IN THE MICRO 15X, THE FIRE ALARM CANNOT BE CONTACT FROM #1 TB8 TO #4 TB8.

* CURTAIN AND MASKING AC FEEDS AS WELL AS CUSTOMERS WHO CHOOSE TO TERMINATE ALL AUDITORIUM WIRING AT THE CONSOLE.

* THE FRAME AND CHANGEOVER FEEDS HAVE BEEN SEPARATED TO FACILITATE THE USE OF LOW OR HIGH VOLTAGE TYPES.

FRAME LAMP CONNECTIONS:
FOR 2 VOLT FRAME LAMP JUMPER # 5 TO #1 TB11 AND CONNECT FRAME LAMP TO #1 TB11.

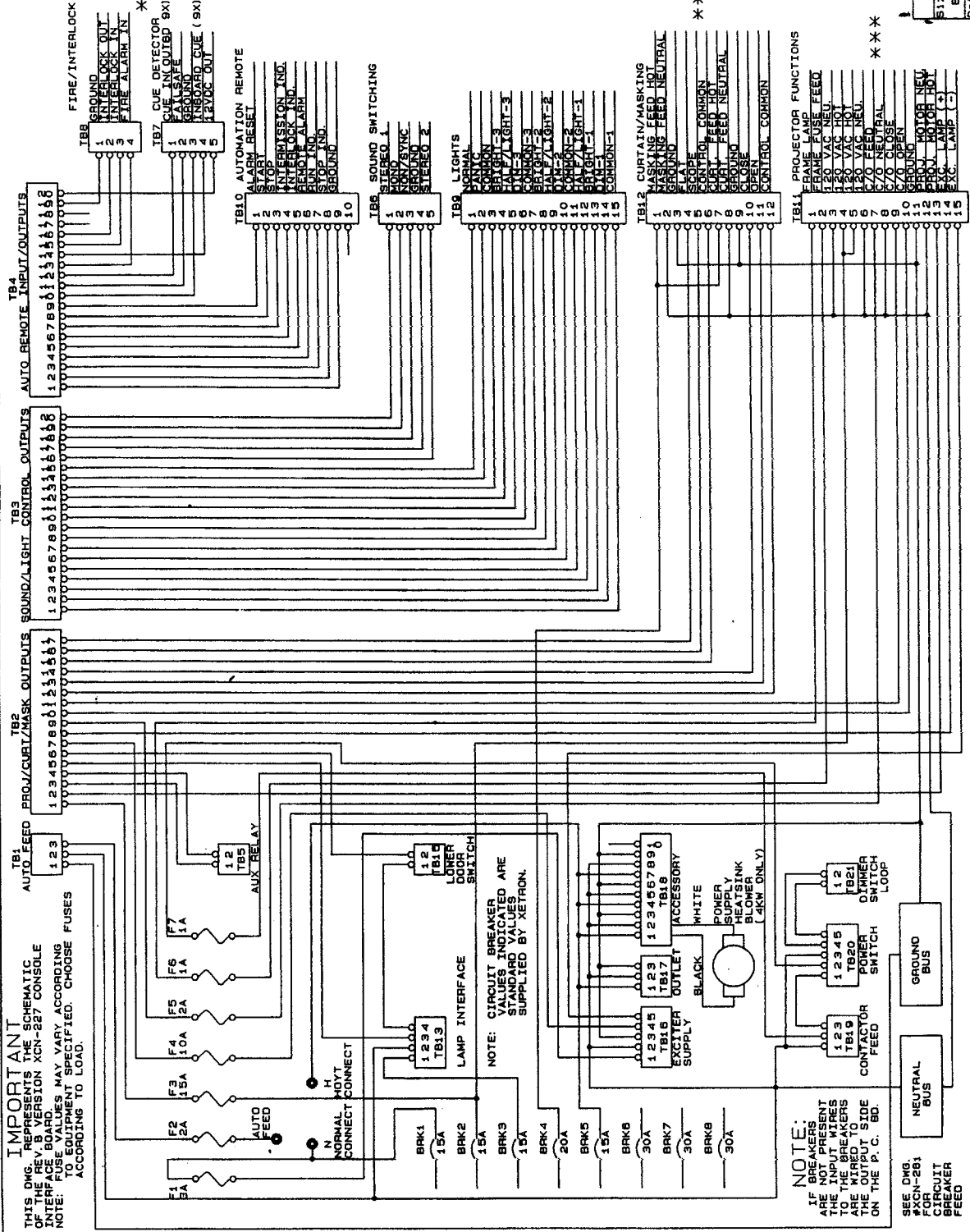
FOR 12 VOLT FRAME LAMP WITH FUSE IN ONE SIDE OF TRANSFORMER JUMPER # 5 AND 4 TB11 CONNECT ONE SIDE OF TRANSFORMER PRIMARY TO #1 TB11 AND THE OTHER SIDE OF TRANSFORMER PRIMARY TO #1 TB11 AND CONNECT SECONDARY OF THE TRANSFORMER TO THE FRAME LAMP.

FOR 12 VOLT FRAME LAMP WITH THE FUSE IN THE SECONDARY SIDE OF THE TRANSFORMER, PRIMARY TO #9 TB11, CONNECT THE OTHER SIDE OF THE PRIMARY TO #4 TB11. CONNECT ONE SIDE OF THE SECONDARY TO #5 TB11 AND THE OTHER SIDE OF THE SECONDARY TO #10 TB11. IF NOT ALREADY, CONNECT THE OTHER SIDE OF THE FRAME LAMP TO GROUND.

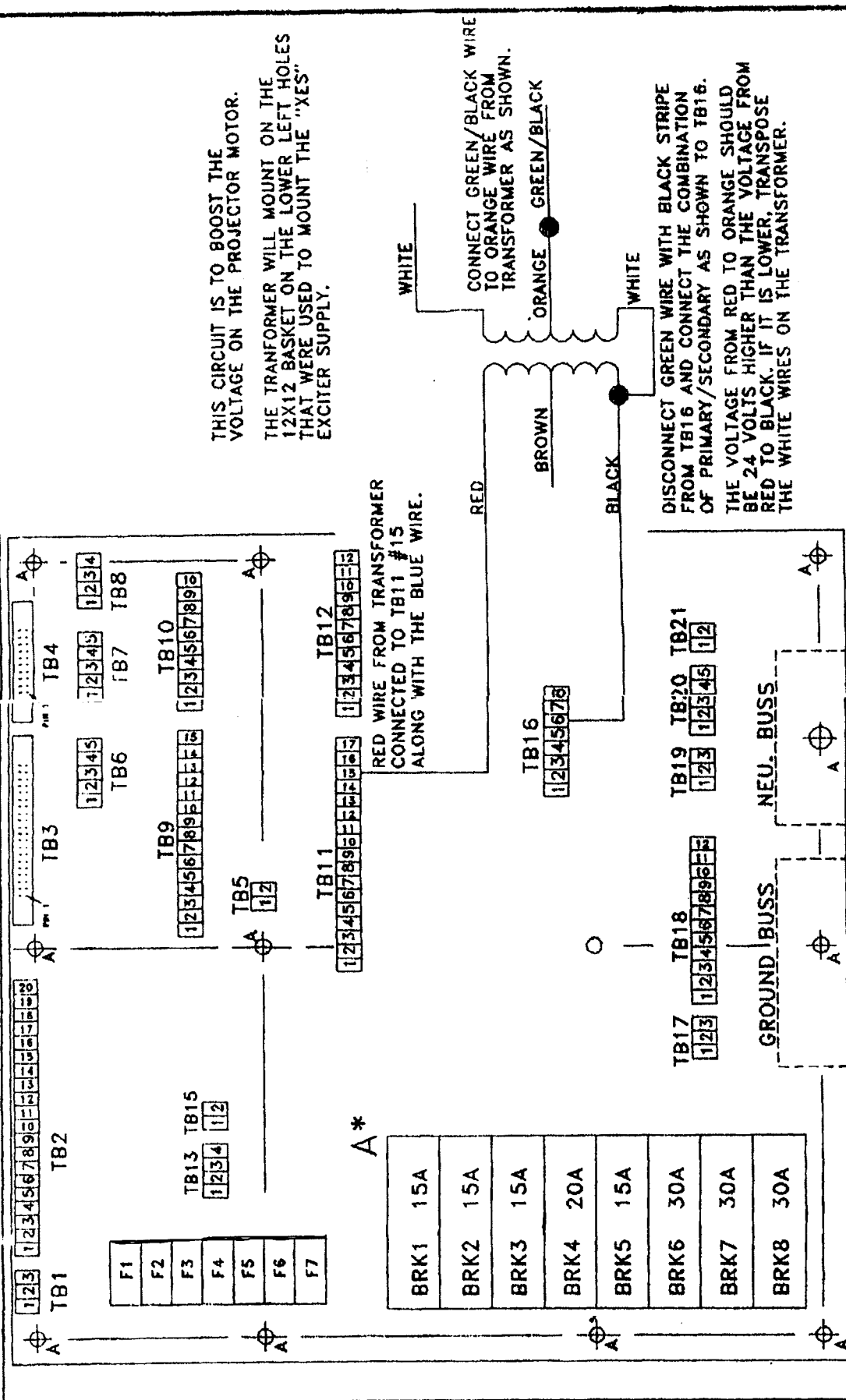
CHANGEOVER CONNECTIONS:
FOR 120 VOLT ZIPPER TYPE CHANGEOVERS JUMPER # 5 AND #6 TB11. CONNECT THE CLOSE COIL TO #9 TB11 AND THE OPEN COIL TO #10 TB11.

FOR LOW VOLTAGE TYPE CHANGEOVERS FORMER TYPE VOLT INPUT OF THE C/O POWER SUPPLY TO # 5 AND 6 TB11. CONNECT THE D.C. (+) OUTPUT OF THE SUPPLY TO #7 TB11. CONNECT THE (-) OF THE SUPPLY TO THE SUPPLIER. CONNECT THE CLOSE INPUT OF THE CHANGEOVER SYSTEM TO #9 TB11. CONNECT THE OPEN INPUT OF THE C/O SYSTEM TO #10 TB11.

NOTE: CONNECTING THE C/O IN THIS MANNER WILL PROVIDE A POSITIVE PULSE TO THE OPEN AND CLOSE INPUTS OF THE C/O CONTROL.



NEUMAIDE PRODUCTS CORP. XETRON DIVISION
Size Document Number XCN227B SCH
REV B
Date: December 10, 1996 Sheet 01



THIS DRAWING REPRESENTS THE LAYOUT OF THE XCEN227 REV. C CONSOLE INTERFACE BOARD

XETRON DIV. OF NEUMAID PRODUCTS CORP.

TOLERANCES	PROJECT:	SCALE	DRAWN BY	APPROVED
	P.C.B. CONSOLE	N.T.S.	MM	
TITLE:		MOTOR BOOST CKT FOR ERNAMANN PROJ.		
DATES:		DRAWING NUMBER: XCEN-524.DC2		
2-25-91				