

# Film-Tech

The information contained in this Adobe Acrobat pdf file is provided at your own risk and good judgment.

These manuals are designed to facilitate the exchange of information related to cinema projection and film handling, with no warranties nor obligations from the authors, for qualified field service engineers.


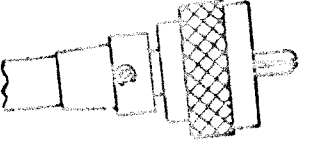
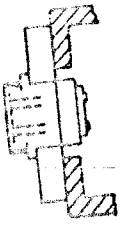
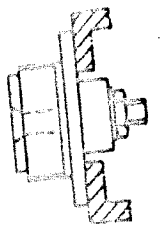

If you are not a qualified technician, please make no adjustments to anything you may read about in these Adobe manual downloads

[www.film-tech.com](http://www.film-tech.com)

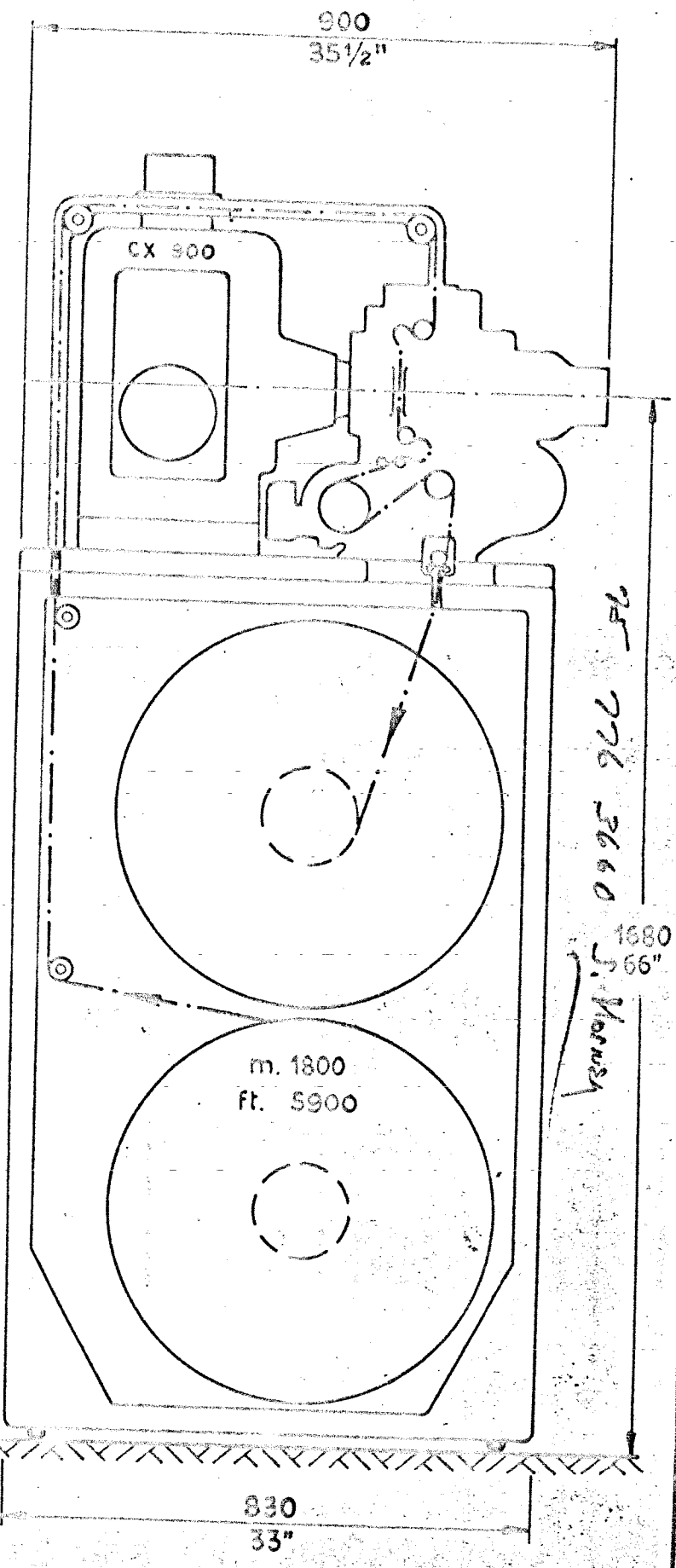
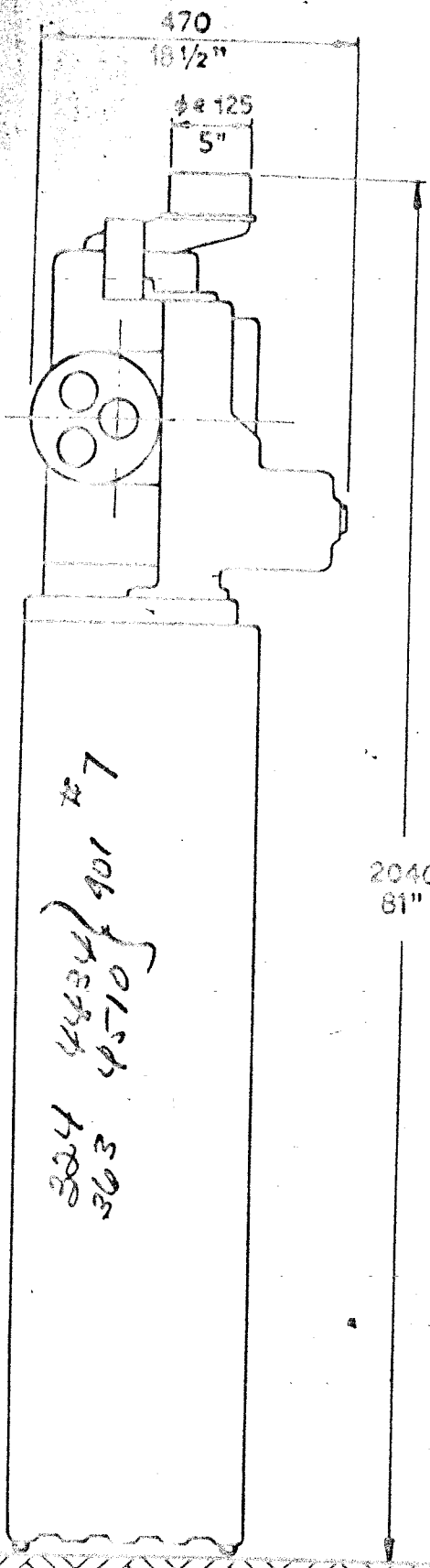
00452/2 Exciter lamp transformer supply  
KC-1270 Wiring system box assembly  
KC-1272 Wiring system box only  
KC-1273 Wiring system box cover only  
KC-1276 Single phase motor switch  
KC-1276a Condenser, 35  $\mu$ F - 115 Volt  
KC-1277 On/Off Xenon push button  
KC-1278 Terminal board  
KC-1279 Single pole switch for manual sound c/o, safety, rectifier  
KC-1279a Single pole switch for exciter lamp  
KC-1279b Two pole switch for picture c/o  
KC-1279c Single pole switch for sound c/o  
KC-1280 Octal relay - 6V a.c. - 5 ohm  
KC-1281 Fuse holder ~~for 10 Amp fuses~~  
KC-1283 Intermachine female connector  
KC-1285 Automatic female connector  
KC-1286 Rectifier female connector  
KC-1287 Line male connector

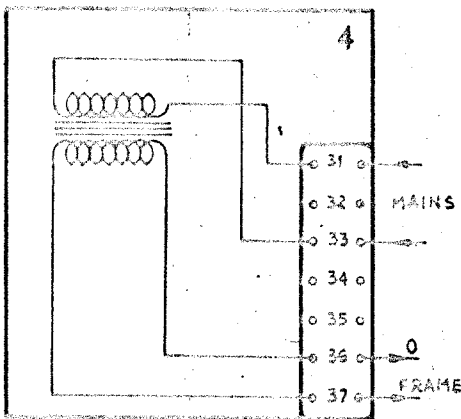
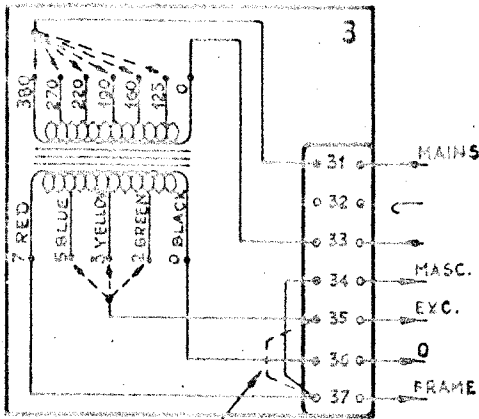
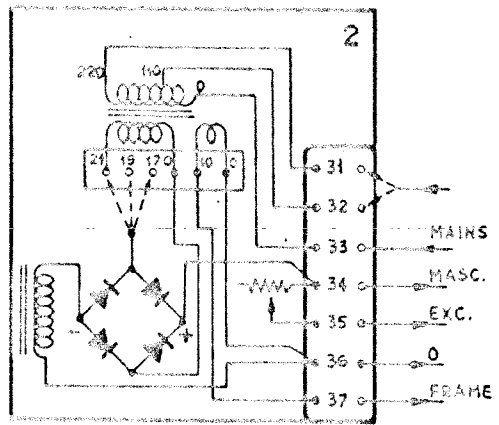
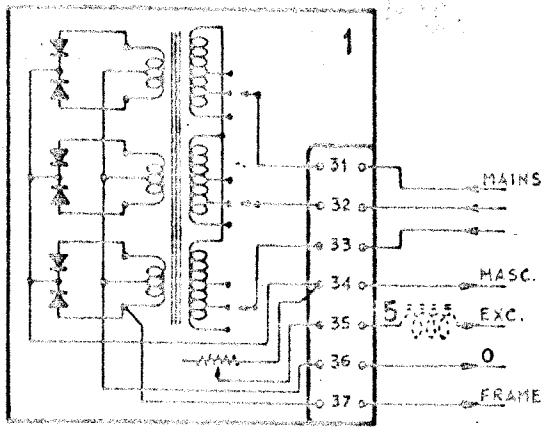
## Wiring diagram Dwg. 7137 legend

- J1 - Intermachine MS 3102A-18-19S
- J2 - Power MS 3102A-22- 9P
- J4 - Automatik MS 3102A-20-29S
- J5 - Rectifier MS 3102A-16S-8S
- J6 - Relay socket
- L1 - Picture changeover coil
- K1 - Relay RCP8/2 d/5 - 6V a.c. - 5 Ohm
- P1 - Signal pick off sprocket
- S1 - Picture changeover switch (n.o. momentary)
- S2 - Motor switch
- S3 - Sound changeover switch (manual closed)
- S4 - Sound changeover switch (momentary)
- S5 - Xenon lamp "on," n.o. push button
- S6 - Rectifier switch (manual closed)
- S7 - Xenon lamp "off," n.c. push button
- S8 - Safety switch
- S9 - Exciter lamp switch
- S10 - c/o microswitch
- S11 - c/o auxiliary switch
- S12 - Door switch
- T1 - Low voltage transf.
- TS1 - Terminal strip

TIPO - TYPE	NUOVO -- NOUVEAU -- NEW VECCHIO -- ANCIEN -- OLD	
Bocchettone maschio Fiche mâle Male connector	 00133	 00107
Bocchettone femmina Fiche femelle Female connector	 00134	 00092
Raccordo Raccord Adaptor	 00136	

001CT	16 tooth CinemaScope intermittent sprocket - hardened
003C	20 tooth CinemaScope top sprocket
<del>003E</del>	<del>20 tooth CinemaScope bottom sprocket (less signal pick-off)</del>
009	24mm O. D. plain roller (6mm dia. hole)
0011	15mm O. D. grooved roller (4mm dia. hole)
0015	22mm O. D. flanged roller
0037	6mm dia. plain roller spindle
0038	4mm dia. grooved roller spindle
0040/3	Exciter lamp bracket assembly
0040/4	Insulating bushes and washers for exciter lamp
0040/10	Exciter lamp locating spring with stud
00258	Bottom sprocket washer
00280	4mm dia. spindle for bottom grooved roller
00291	Inching knob
00296	Masking knob
00337	15mm O. D. plain roller (6mm dia. hole)
00601	15mm O. D. grooved roller (6 mm dia. hole)
87	Stripper (less signal pick-off)
116	Roller cradle for intermittent sprocket (machined casting)
116a	Roller cradle complete assembly for intermittent sprocket
117	Roller cradle spindle for intermittent sprocket
118	Lay-on roller spring housing
118a	Spring for lay-on roller
124	Lay-on pressure roller arm (machined casting)
124a	Lay-on pressure roller arm complete assembly ✓
125	Lay-on pressure roller arm spindle with screw
126	Lay-on pressure roller holder with shaft
134	Bottom roller cradle (machined casting)
134a	Bottom roller cradle complete assembly
135	Bottom roller cradle spindle with screw
136	Bottom roller cradle spring bush
137	Bottom roller cradle spring
171a	Stripper with spindle
233	Sound head drum with shaft and screw
4332 234	Drum screw
236	Bracket for P. E. C. housing
281r	Complete framing lamp
360	Mascarini contact lever
640	Top roller cradle complete assembly
641	Top roller cradle spindle
642	Top roller cradle (machined casting)
643	6mm dia. spindle for top roller cradle #39
644	Cradle spring bush
645	Top roller cradle spring





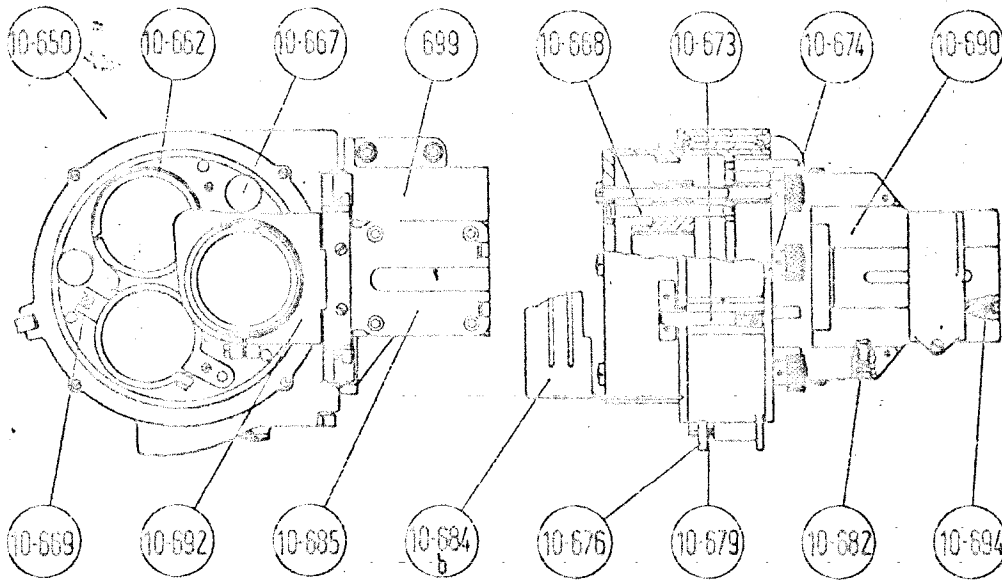
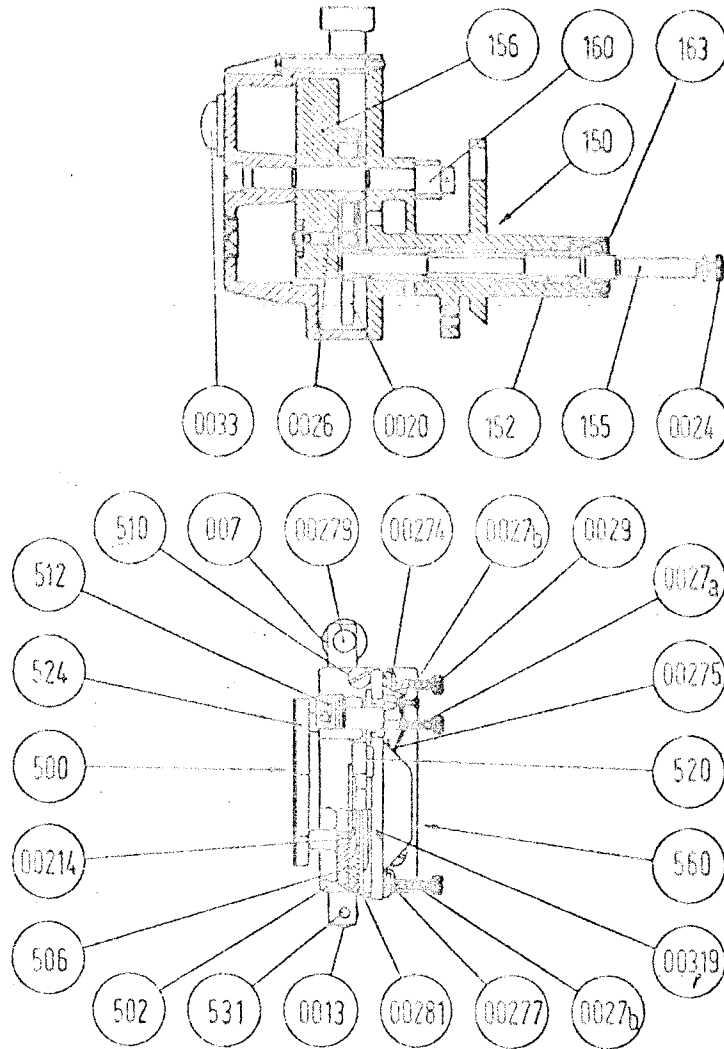
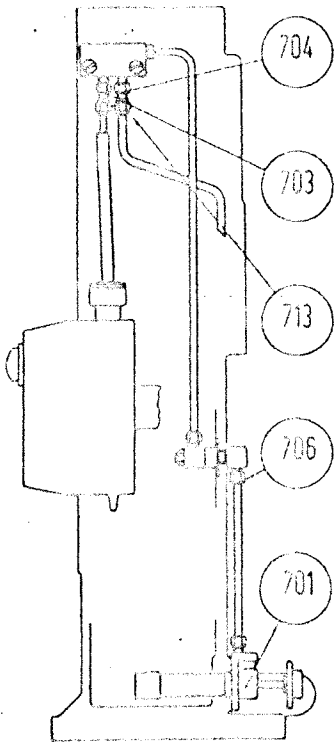
- 1- D.C. power supply for exciter and framing lamps: threephase mains
- 2- D.C. power supply for exciter and framing lamps: singlephase mains
- 3- A.C. power supply for exciter and framing lamps
- 4- A.C. power supply for framing lamps
- 5- Smoothing choke for exciter lamp current (on request)
- \*- Jumper for operation with exciter lamp control rheostat

DIS. <i>W. B.</i>	VICTORIA 8-X-IV/E
VISTO <i>W. B.</i>	Exciter and framing lamp power supplies
DATA 24/5/68	
APP. 16/8/69	CINEMECCANICA s.p.a. Dis. 5524

## Wiring diagram Dwg. 7137 legend

- J1 - Intermachine MS 3102A-18-19S
- J2 - Power MS 3102A-22- 9P
- J4 - Automatik MS 3102A-20-29S
- J5 - Rectifier MS 3102A-16S-8S
- J6 - Relay socket
- L1 - Picture changeover coil
- K1 - Relay RCP8/2 d/5 - 6V a.c. - 5 Ohm
- P1 - Signal pick off sprocket
- S1 - Picture changeover switch (n.o. momentary)
- S2 - Motor switch
- S3 - Sound changeover switch (manual closed)
- S4 - Sound changeover switch (momentary)
- S5 - Xenon lamp "on,, n.o. push button
- S6 - Rectifier switch (manual closed)
- S7 - Xenon lamp "off,, n.c. push button
- S8 - Safety switch
- S9 - Exciter lamp switch
- S10 - c/o microswitch
- S11 - c/o auxiliary switch
- S12 - Door switch
- T1 - Low voltage transf.
- TS1 - Terminal strip







VICTORIA IV/ELubrificazione

Il blocco croce di Malta funziona a bagno d'olio.

Versare l'olio dal bocchetto ne D fino a metà della spia di livello E.

Versare l'olio nel castello fino al foro di livello L.

Premere il bottone P della pompa ogni 2 ore di lavoro circa.

Controllare che il livello dell'olio si mantenga a metà della spia E.

Raccomandiamo di limitare la lubrificazione a qualche goccia d'olio di tempo in tempo nei punti A e B.

Adoperare olio Cinematograf fluido (5 gradi Engler a 50° C.)

Lubrication

Maltese cross assembly operating in oil bath.

Pour the oil through tap D up to half level gauge E.

Pour the oil into the mechanism up to level hole L.

Push the pump knob P every two working hours about.

Check the oil level to be kept at half level gauge E.

A very limited lubrication is recommended. In A and B only few oil drops once in a while.

Use Cinematograf fluid oil. (5 Engler at 50° C.)

Lubrification

Le bloc croix de Malte travaille en bain à l'huile.

Introduire l'huile dans le bouchon D jusqu'à la moitié du viseur E.

Verser l'huile dans le carter jusqu'au trou du niveau L.

Pousser le bouton P de la pompe toutes les deux heures de travail environ.

Contrôler que le niveau de l'huile se maintienne à moitié du viseur E.

Nous recommandons de limiter la lubrification à quelques gouttes d'huile de temps en temps dans les points A et B.

Se servir de l'huile Cinematograf fluide (5 degrés Engler à 50° C.)

Schmierung

Der Malteserkreuzblock arbeitet in Oelbad.

Das Oel in die Oelöffnung D einfüllen bis der Oelstand das halbe Niveau des Oelschauglasses E erreicht hat.

Das Oel in das Projektorgehäuse einfüllen bis der Oelstand den Loch L erreicht hat.

Der Kolben P der Oelpumpe muss je zwei Arbeitsstunden gedrückt werden.

Prüfen dass das Niveau des Oelschauglasses in der Mitte bleibt.

Wir empfehlen, die Schmierung des Projektors auf einige, von Zeit zu Zeit an die Stellen A und B abzugebende Oeltropfen zu beschränken.

Dünflüssiges Spezial-Projektoröl Cinematograf verwenden. (5 Engler grade bei 50° C.)

COMANDO CAMBIO MACCHINA TIPOZIPPER (serve dal N° 44084)

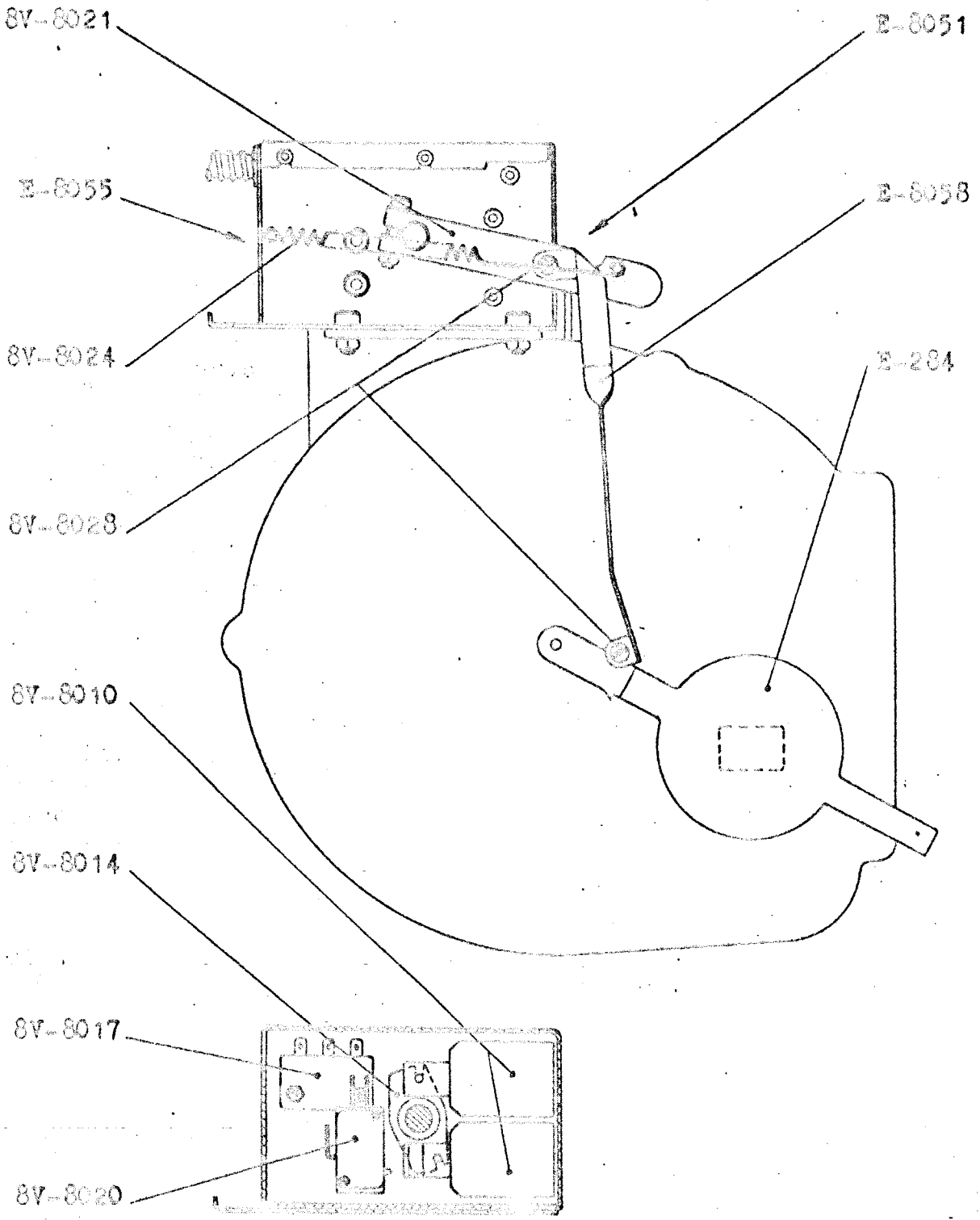
- E-8051 - Comando cambio macchina completo di schermo sicurezza e asta (precisare tensione)
- E-8055 - Scatola cambio macchina completa senza schermo sicurezza e asta (precisare tensione)
- 8V-8010 - Elettromagnete con nucleo e spina (prec. tensione)
- 8V-8014 - Camma comando leva compl.
- 8V-8017 - Ancoraggio a 3 posti
- 8V-8020 - Microinterruttore
- 8V-8021 - Leva comando schermo di sicurezza con vite e dado
- 8V-8024 - Molla scatto
- 8V-8028 - Vite a colletto
- E-284 - Schermo di sicurezza
- E-8058 - Asta comando schermo di sicurezza

COMMANDE CHANGE MACHINE TYPEZIPPER (sert à partir du N°44084)

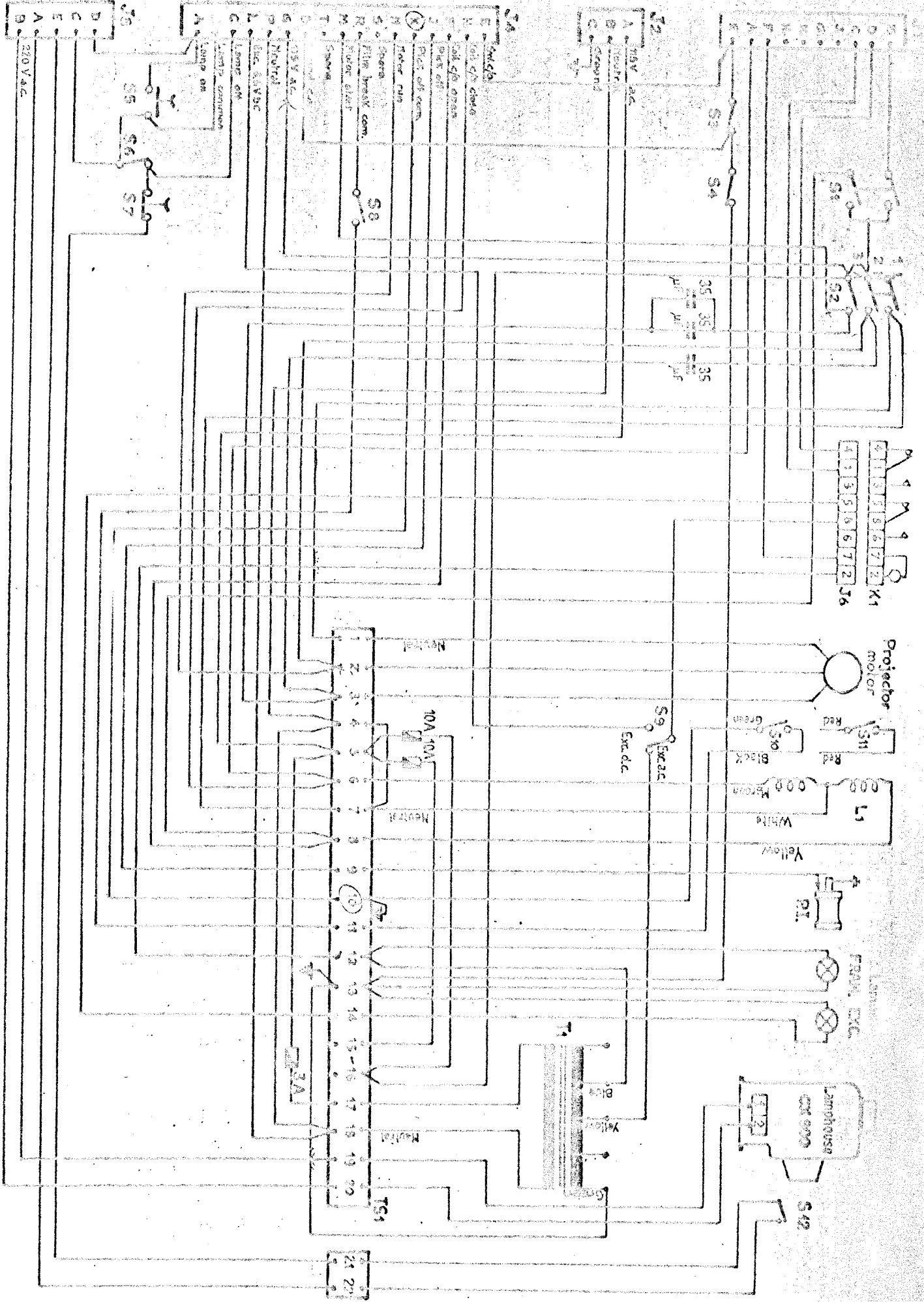
- E-8051 - Commande change machine complète de volet sécurité et tige (préciser tension)
- E-8055 - Boîte change machine complète sans volet sécurité et tige (préc. tension)
- 8V-8010 - Electro-aimant avec noyau et goupille (préciser tension)
- 8V-8014 - Came de commande levier complète
- 8V-8017 - Barrette de connexion
- 8V-8020 - Microinterrupteur
- 8V-8021 - Levier de commande volet de sécurité avec vis et écrou
- 8V-8024 - Ressort de déclenchement
- 8V-8028 - Vis à collet
- E-284 - Volet de sécurité
- E-8058 - Tige de commande volet de sécurité

ZIPPER TYPE CHANGEOVER CONTROL  
(from serial N° 44084)

- E-8051 - Changeover control complete with safety dowser and rod (please specify voltage)
- E-8055 - Changeover mechanism box less safety dowser and less rod (please specify voltage)
- 8V-8010 - Electromagnet with core and pin (please specify voltage)
- 8V-8014 - Lever control cam
- 8V-8017 - Terminal board
- 8V-8020 - Microswitch
- 8V-8021 - Safety dowser control lever with screw and nut
- 8V-8024 - Release spring
- 8V-8028 - Collar screw
- E-284 - Safety dowser
- E-8058 - Safety dowser control rod



vedi retro - tourner s.v.p. - please turn over

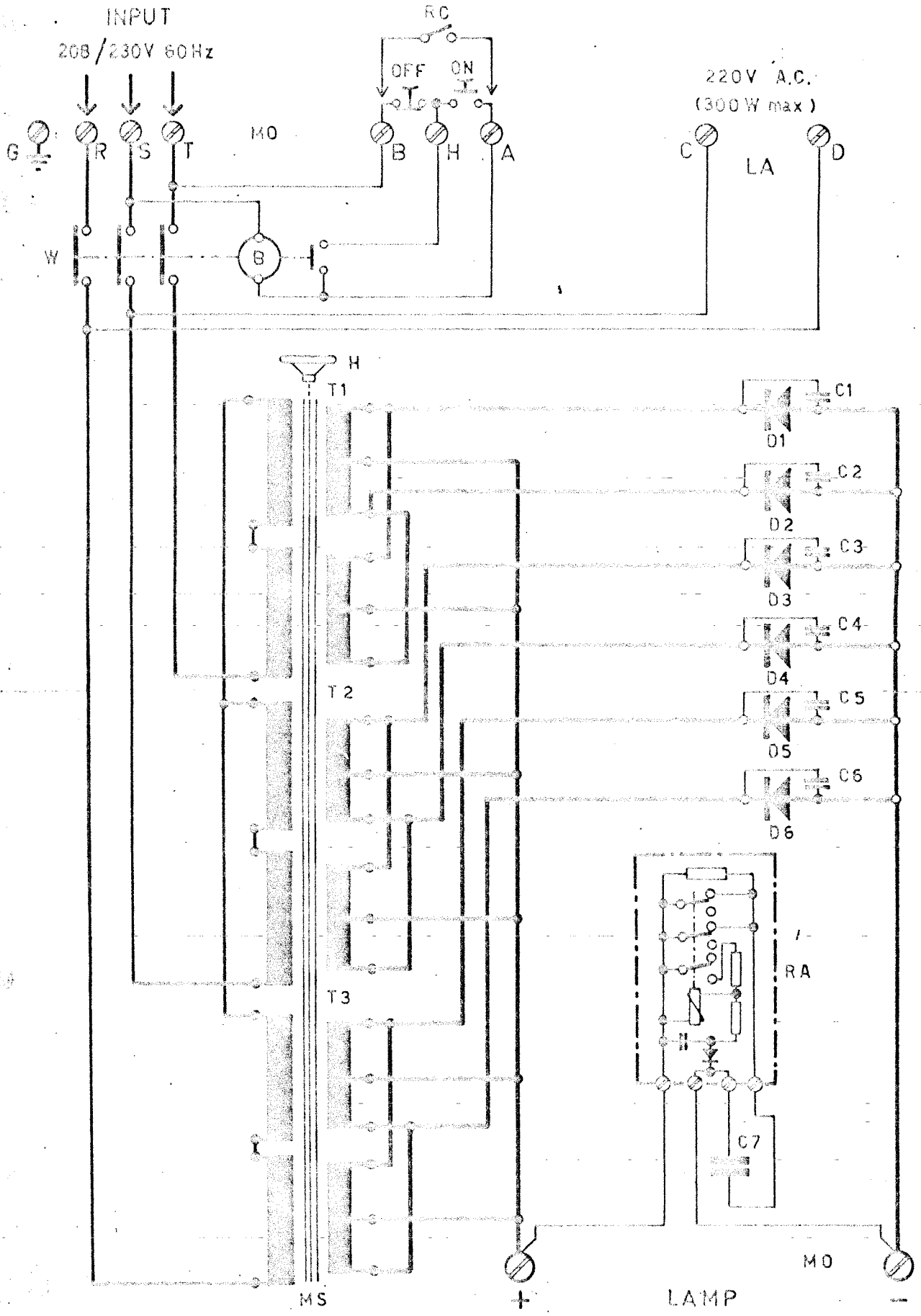


0040	Complete exciter lamp housing
0040/1	Exciter lamp housing (machined casting)
0040/2	Exciter lamp housing cover
00102	Right threaded screw for top and bottom gears
00103	Left threaded screw for intermediate gear
00251	Oil drain plug
00365	Spring for motor torque (4 pieces)
22b	Motor torque assembly
24	Motor torque drive dog
31	Reduction gear spindle
33	Motor reduction gear assembly (72 teeth - 25 teeth)
41a	Top sprocket shaft
46 ✓	Bottom sprocket gear assembly (104 teeth - 32 teeth)
47	Bottom loose gear (47 teeth)
51	Shutter gear assembly (48 teeth - 39 teeth)
51a	Shutter gear spindle
52	Bottom loose gear spindle
53	Top sprocket gear (65 teeth)
54	Intermediate loose gear spindle
55	Intermediate loose gear (54 teeth)
60	Take-up driving assembly
62	Take-up driving pinion shaft
63	Take-up driving pinion (16 teeth)
83a ✓	Bottom sprocket shaft with hub
108	Motor gear (31 teeth)
238a	Exciter lamp bracket
261	Conical shutter pinion (16 teeth)
262	Shutter shaft
263	Shutter shaft bracket with bushes
265	Torque shutter hub
266	Torque shutter spring (4 pieces)
274b	Shutter

0013	11mm O. D. grooved roller
0020	Intermittent cross with cam pin and roller
0024	Screw and washer securing intermittent sprocket
0026	Cam, pin and roller
0027a	Central pad spring
0027b	Bottom pad spring
0029	Pad spring adjusting knob
0033	Oil sight window
00214	Double aperture plate (ratio to be advised)
00274	Pressure arm for top pads
00275	Pressure fork for pads (4 pieces)
00277	Pressure arm for bottom pads
00279	Adjusting screw for spring guide roller No. 007
00281	Pair of pressure pads (4 pieces)
00319	Gate frame (machined casting)
150	Intermittent unit complete with sprocket
152	Eccentric bush for shaft
155	Intermittent sprocket shaft
156	Flywheel with cam, shaft and cam pinion
160	Cam pinion (13 teeth)
163	Oil tight ring
500	Gate bracket assembly
502	Gate bracket (machined casting)
506	Gate plate
510	Gate plate locking screw
512	Gate frame closing lever with spring
520	Aperture plate securing lever with spring
524	Heat shield
531	4mm dia. spindle for bottom gate bracket roller
560	Gate frame complete assembly
701	Lubricating pump
703	Nozzle for oil duct to intermittent movement
704	Nozzle for oil duct to gears
706	4mm I. D. tapped bushing
713	3mm I. D. tapped bushing
10-650	Three lens turret assembly
10-662	62.5mm dia. lens holder sleeve with focusing screw
10-662S	70.6mm dia. lens holder sleeve with focusing screw
10-667	Focusing knob
10-668	Eccentric guide for lens holder sleeve
10-669	Lens holder eccentric guide spindle
10-673	Stop lever
10-674	Stop lever spring
10-676	Turret locking lever
10-679	Lever spring
10-682	Plunger spring
10-684b	Light shield
10-685	Turret support bracket
10-690	Bracket for anamorphic lens holder
10-692	Anamorphic lens holder
10-694	Plunger spring
699	Turret support



0048	Latch plunger
0049	Latch spring
0052/3	Clutch movable disc
0052/5	Clutch washer (leather)
00115	Plain roller screw
00117	Guide roller screw
00337	Plain roller - 15mm dia. (6mm dia. hole)
00520	Clutch spring
KC-1072	Protection guide
KC-1074	Complete guide roller
KC-1075	Roller
KC-1076	Roller spindle
KC-1077	Ball race
KC-1078	Internal stop ring - 30mm dia.
KC-1079	Outside stop ring - 10mm dia.
KC-1084	Complete plain roller spindle
KC-1085	Plain roller spindle with nut
KC-1128	Adjusting and fixing screw with 2 nuts
KC-1135	Complete upper guide roller spindle
KC-1136	Upper guide roller spindle
KC-1137	Flanged roller - 30mm dia.
KC-1139	Safety plate
KC-1157	Take-up assembly up to serial number 43322
KC-1158	Take-up shaft with drive collar up to serial number 43322
KC-1161	Take-up assembly for 1800 meter reels - from serial No. 43323
KC-1162	Conical gear - 96 teeth
KC-1163	Conical pinion - 20 teeth
KC-1164	Movable clutch disc
KC-1165	Clutch washer (felt)
KC-1168	Clutch spring knob
KC-1169	Take-up shaft
KC-1174	Ball race
KC-1180	Conical pinion shaft
KC-1190a	Rod
KC-1192	1800 meter lower reel clutch complete with loop absorber
KC-1192f	Loop absorber spring
KC-1192g	Loop absorber assembly
KC-1194	Shaft with latch
KC-1194a	Reel shaft latch
KC-1194g	Clutch spring
KC-1198	Ball race
KC-1200	Complete upper reel bracket
KC-1208	Reel bracket pulley hub
KC-1220	Ball race
KC-1231	Take-up control pulley
KC-1233	Drive collar spindle
KC-1234	Toothed belt - 187L050
KC-2024	Lamp exhaust connection



DATA  
26-4-73  
# 28505

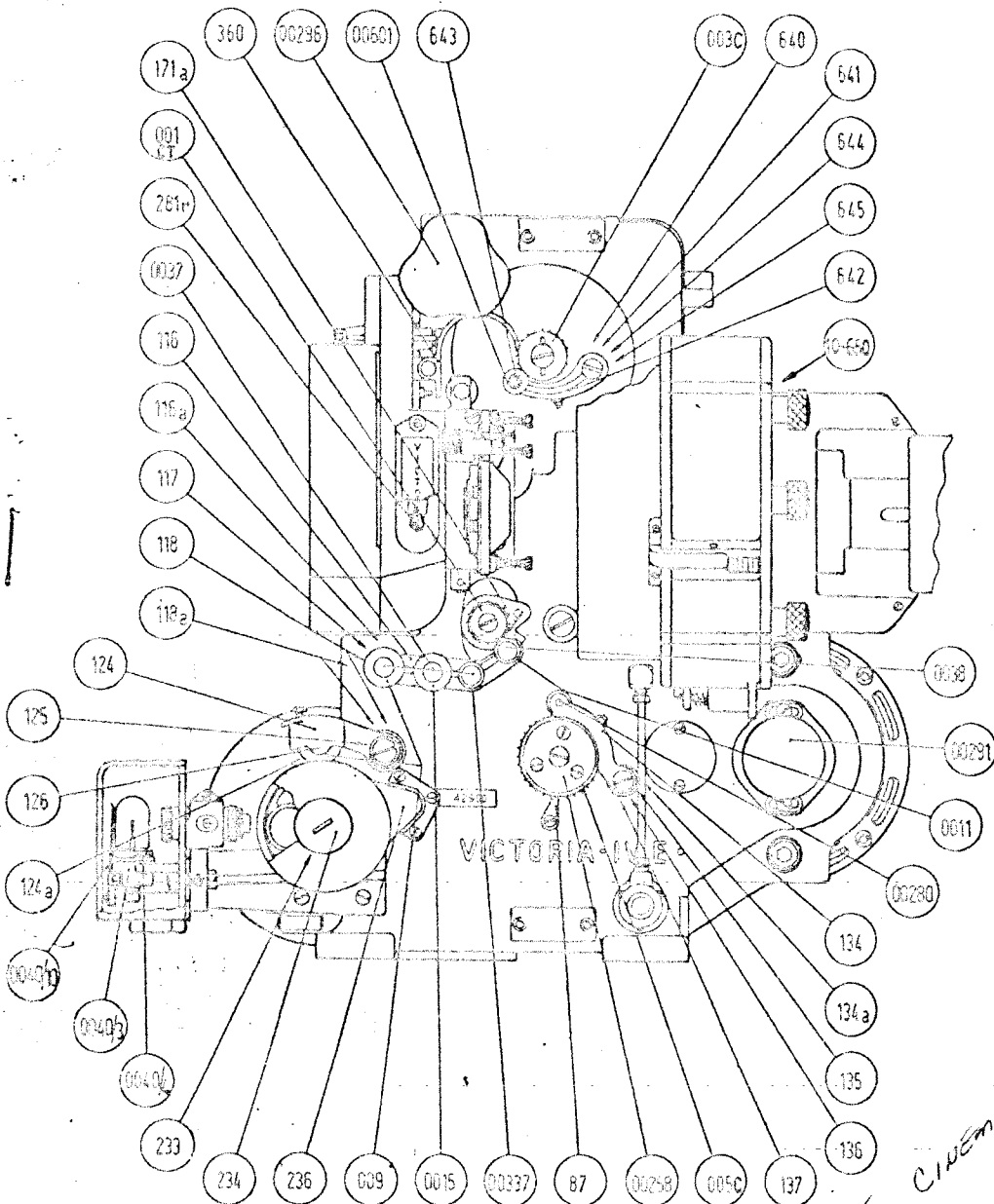
Silicon rectifier type  
N3-X50 DM and N3-X75 DM  
For 900 and 1000 Watt Xenon Lamps

DESIGNATION	DESCRIPTION	TYPE	Q.	NUMBER
MS	MAGNETIC SHUNT	N3	1	62000901
T1 to T3	VARIABLE COUPLING TRANSFOR.	N3-25	3	63017000
MO	TERMINAL BOARD	N3-A	1	64110005
RA	IGNITION RELAY	LP/A	1	78800400
H	REGULATION HAND WHEEL	3332/IM	1	79009050
D1 to D6	SILICON DIODE 1000 PIV	15 AR	6	88111020
C1 to C6	CAPACITOR 0,22uF 600V	102	6	88310020
C7	CAPACITOR 3400uF 75/95V	C36D	1	8832,060
M	MAIN SWITCH 16A	K915 1115-1	1	88471222
B	MAIN SWITCH COIL	220V 60cps	1	88471906
RC	SINGLE POLE SWITCH	2400/B2	1	88401103

DATA Dis. \_\_\_\_\_  
 20-4-73 Contr. *AB*  
 N° 28505/1

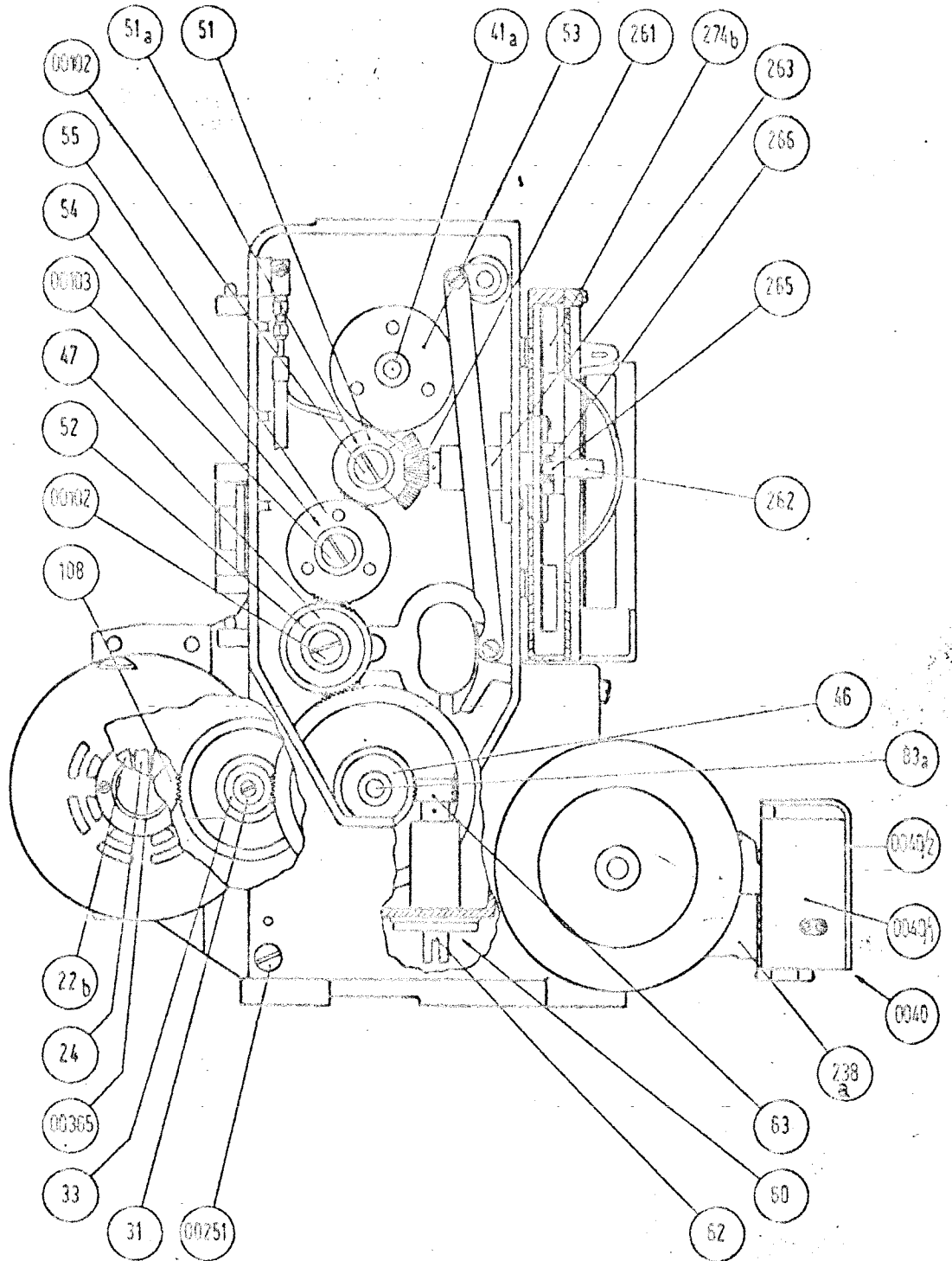
SILICON RECTIFIER TYPE - N3-X50 INPUT 208/230V 60cps

51.87



353  
BW

TOM  
JEFF  
909 121 5842  
CINEMECANICA



## BOCCHETTONE CELLULA

Poichè in parecchi casi, a causa dell'aumentata complessità dei circuiti elettrici ed elettronici di cabina, è necessario separare la massa del segnale fonico dal telaio del proiettore, è stato deciso di sostituire il bocchettone cellula con altro a due vie.

Sarà quindi possibile collegare la massa al telaio in un punto solo e nel punto che per ogni installazione rende minimi ronzii e disturbi. Questo bocchettone poi, essendo un tipo largamente diffuso nel commercio, presenta anche degli indubbi vantaggi di praticità.

Per tutti i casi in cui un bocchettone maschio nuovo tipo deve entrare in un bocchettone femmina vecchio tipo è disponibile un raccordo.

(vedi tabella a pag. 374)

## FICHE POUR CABLE DE CELLULE

Puisqu'en différents cas, à cause de l'augmentation des circuits électriques et électroniques de cabine, il est nécessaire de séparer la masse du signal phonique du châssis du projecteur il a été décidé de remplacer la fiche pour câble de cellule par une autre à deux contacts.

Il sera donc possible de brancher la masse au châssis en un seul point et à l'endroit où, pour chaque installation les ronronnements et les bruits sont moindres. En plus, vu que cette fiche est d'un type très répandu en commerce, elle présente aussi des avantages pratiques non indifférents.

Dans le cas où une fiche mâle nouveau modèle doit être branchée sur une fiche femelle ancien modèle, on peut avoir un raccord.  
(voir tableau à page 374)

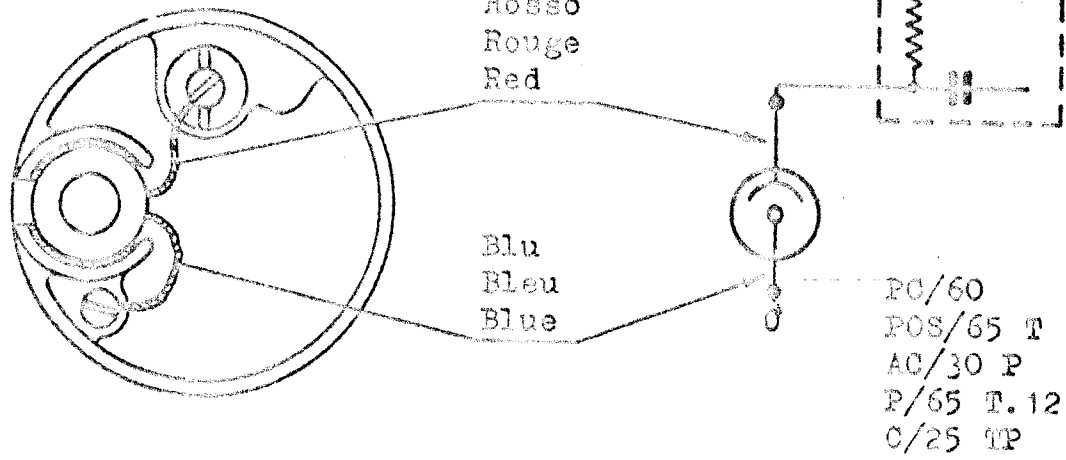
## CELL CONNECTOR

It has been decided to replace the cell connector with a two-way type as on several occasions it was necessary to separate the audio signal ground from the projector chassis because of the more complex electrical and electronic circuits in the booth.

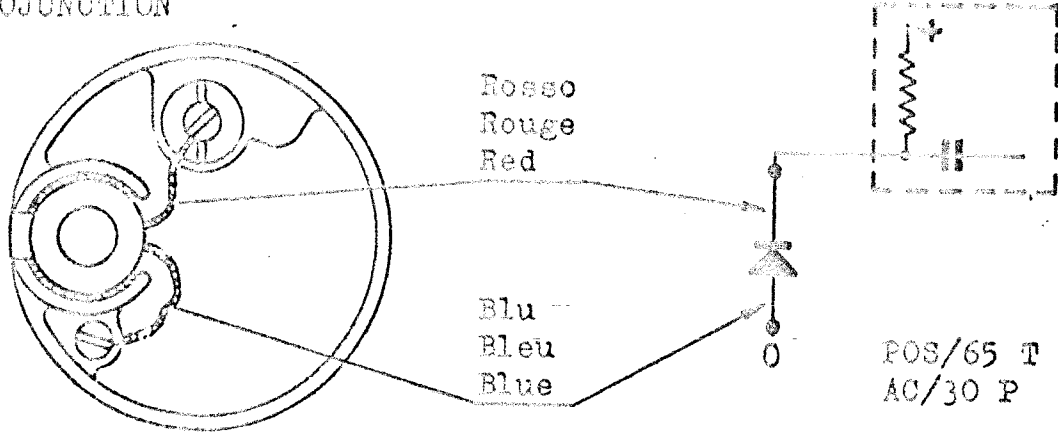
It will therefore be possible to connect ground to chassis on one point only and exactly where hum is minimized. Moreover, this widely available connector will have many practical advantages.

Whenever a male connector of the new type is to be inserted into a female old type connector, an adaptor is available.  
(please turn over)

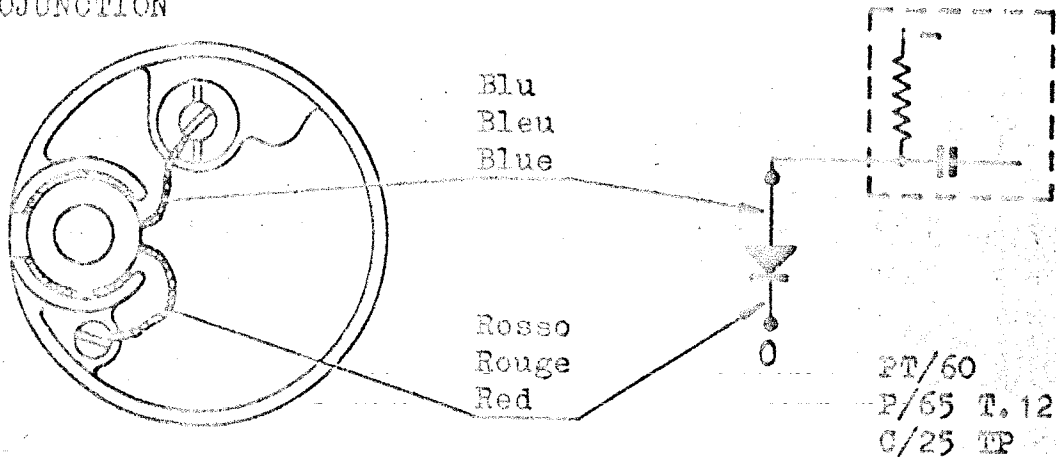
FOTOCPELLULE  
PHOTOCELL



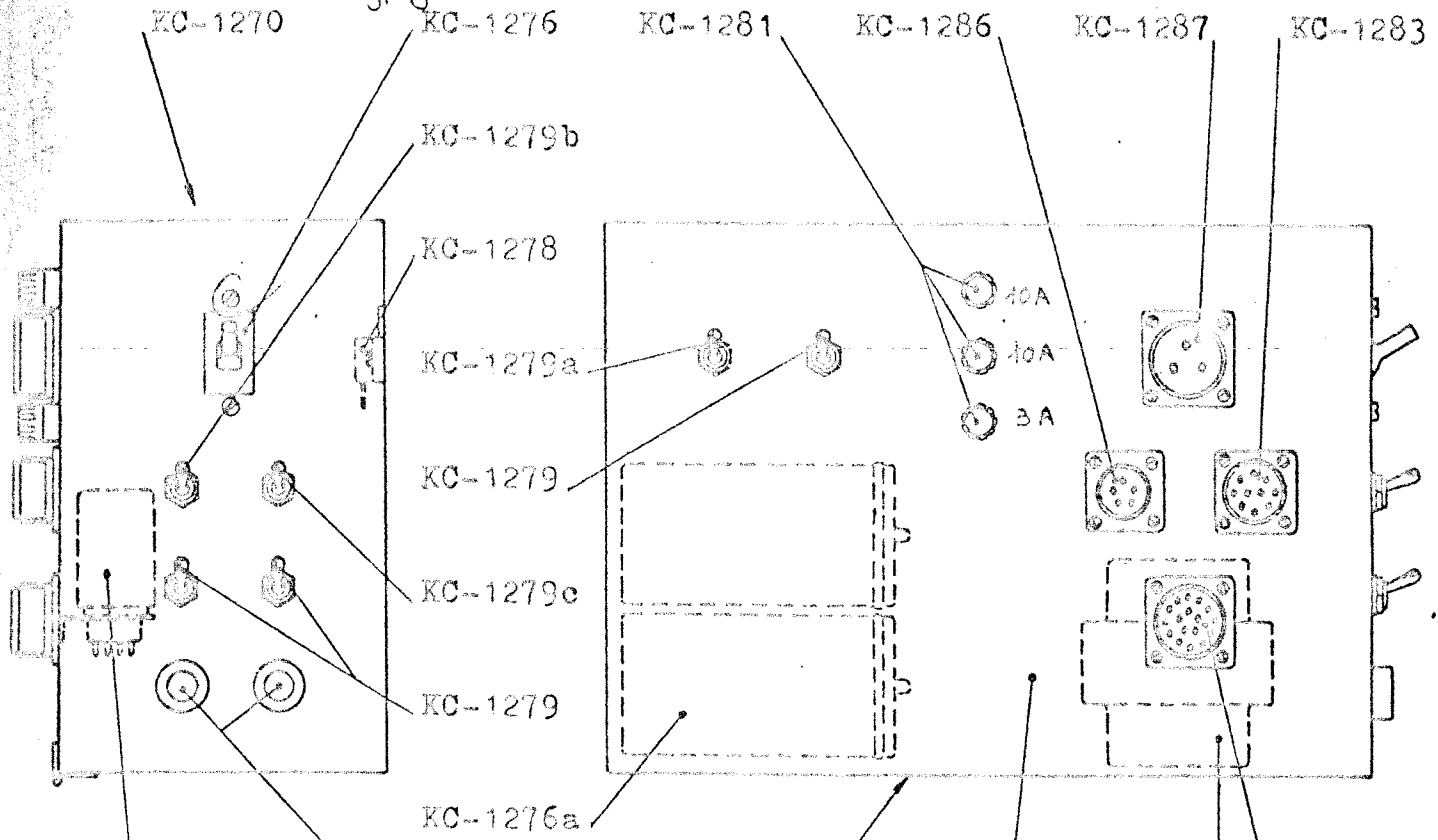
FOTOGIUNZIONE  
PHOTOJUNCTION  
PHOTOJUNCTION



FOTOGIUNZIONE  
PHOTOJUNCTION  
PHOTOJUNCTION



Single Phase Motor Switch



KC-1280  
DUAL RCBY  
6 VAC - 5ohm

00452/2  
Exciter  
Lamp  
Transformer  
Supply



COLLEGAMENTO DELLA FOTOCELLULA E DELLA FOTOGIUNZIONE ALL'INTERNO  
DEL LETTORE OPTICO

E' importante far notare che nei preamplificatori PC/60-POS/65 T e nell'amplificatore AC/30 P il polo negativo dell'alimentazione è collegato al punto comune dell'amplificazione.

Nei preamplificatori PT/60-P/65 T.12 e nell'amplificatore C/25 TP è invece il polo positivo che è collegato al punto comune.

Per questa ragione è necessario tenere presente gli schemi di collegamento dei fotorivelatori nei vari casi d'impiego, come dai disegni riportati al retro.

LIAISON DE LA PHOTOCELLULE ET DE LA PHOTOJONCTION A L'INTERIEUR  
DU LECTEUR OPTIQUE

Il est important de faire noter que sur les préamplificateurs PC/60-POS/65 T et sur l'amplificateur AC/30 P le pôle négatif de l'alimentation est branché au point commun de l'amplification. Sur les préamplificateurs PT/60-P/65 T.12 et sur l'amplificateur C/25 TP au contraire c'est le pôle positif qui est branché au point commun.

Pour cette raison il est nécessaire de tenir compte des schémas de liaison des photodétecteurs dans les différents cas d'emploi, selon les croquis reportés au verso.

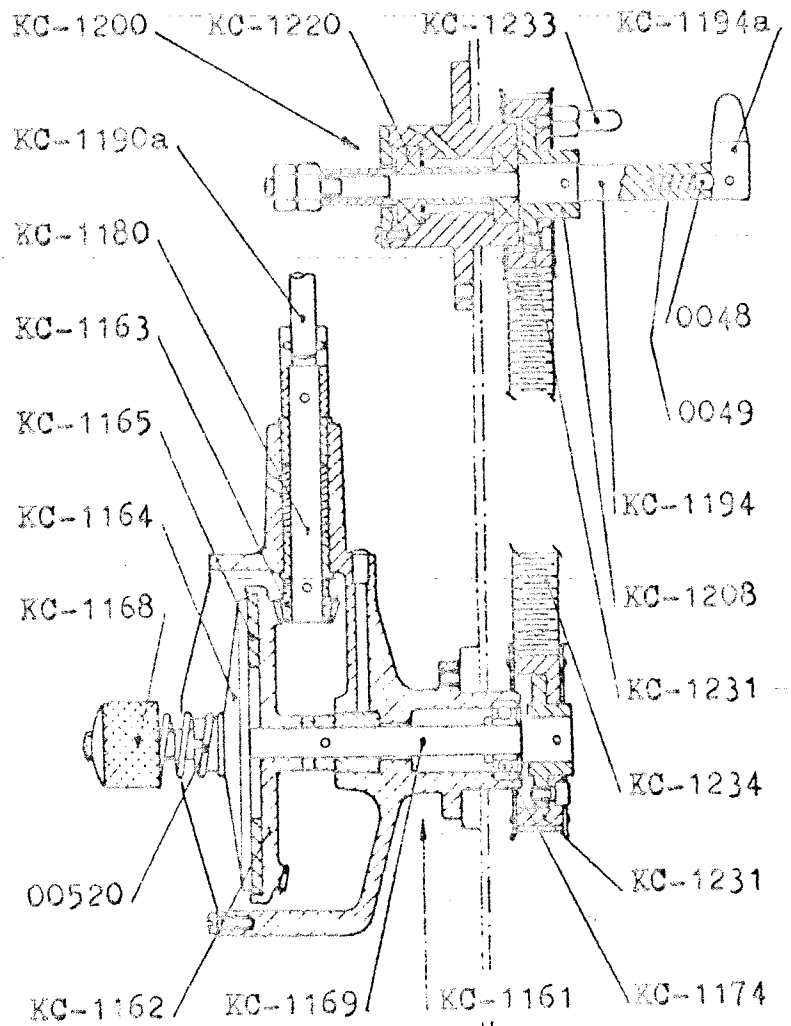
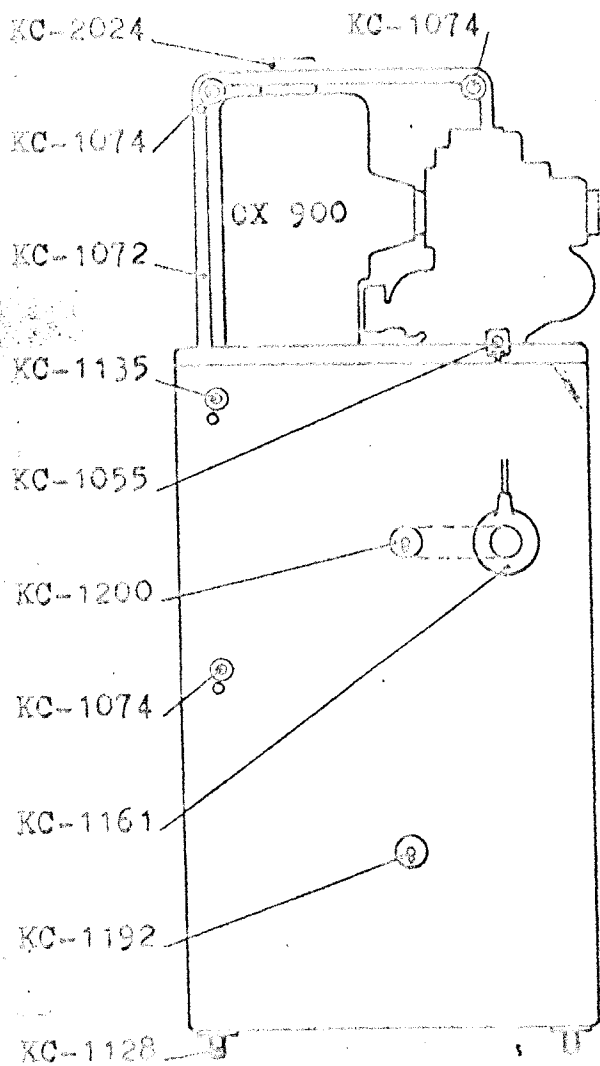
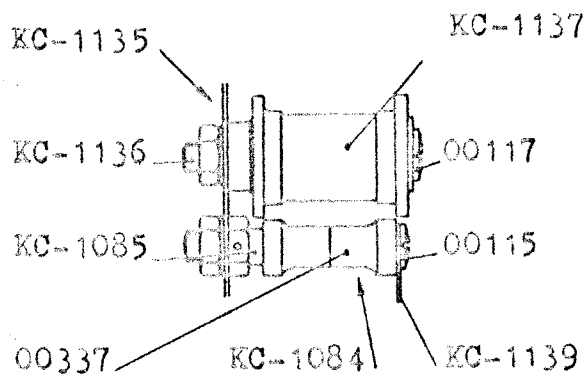
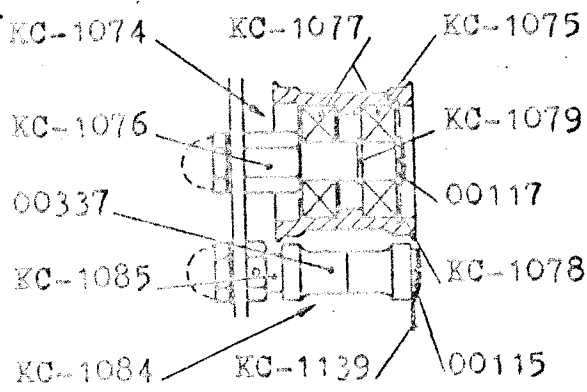
HOW TO CONNECT THE PHOTOCELL AND THE PHOTOJUNCTION INSIDE THE  
OPTICAL SOUNDHEAD

It is important to point out that PC/60-POS/65 T preamplifiers and AC/30 P amplifier have the negative side of the supply connected to sound system signal common point.

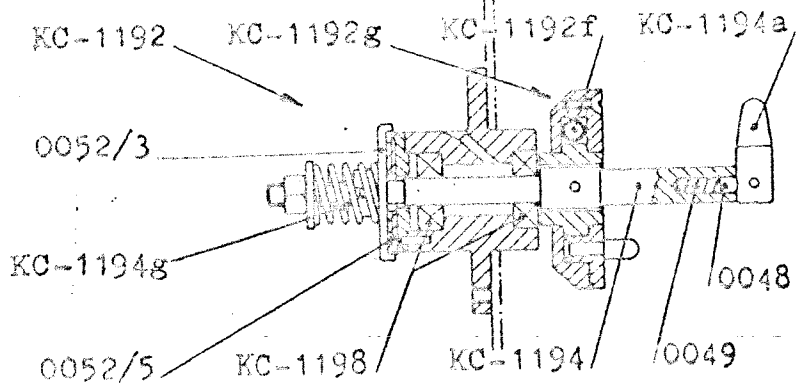
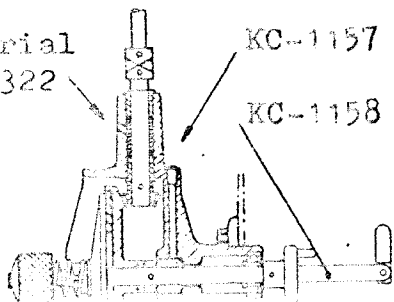
On the contrary, PT/60-P/65 T.12 preamplifiers and C/25 TP amplifier have the positive connected to common point.

For this reason it is necessary to follow the photodetectors wiring instructions according to different couplings.

See drawings at back.



To serial N° 43322



ZIPPER TYPE CHANGEOVER CONTROL

E-1870	Picture changeover assembly
E-1872	Solenoid coil assembly (voltage to be advised)
E-1873d	Guide rod with knob
E-1873f	Core knob
E-1873g	Bowden wire connection
E-1874	Core
E-1875	Core extension
E-1876	Pipe with flange
E-1878	Safety dowser
E-1879	Bowden clamp assembly
E-1880	Bowden wire
E-1883	Complete braking screw
E-1883c	Braking spring
E-1883d	Braking ball
E-1884	Spacer
E-1885	Sound switch bush
E-1886	Microswitch
E-1889	Wiring and flexible

SIGNAL PICK-OFF

18-7000	35mm single signal pick-off assembly
18-7015	Complete brush holder clamp
18-7018	Brush
18-7019	Insulating bush
18-7022	Brush holder spindle
18-7023	Stripper and post
18-7025	Insulating washer
18-7062	32 tooth sprocket for 35mm double signal pick-off

BOTTOM FIRETRAP

00117	Roller locking screw
00337	Plain roller (15mm O. D.)
00613	Flanged roller (33mm O. D.)
KC-1055	Complete bottom firetrap
KC-1056	Bottom firetrap frame only
KC-1057	Flanged roller spindle
KC-1059	Firetrap safety plate
KC-1060	Roller spindle

