

Film-Tech

The information contained in this Adobe Acrobat pdf file is provided at your own risk and good judgment.

These manuals are designed to facilitate the exchange of information related to cinema projection and film handling, with no warranties nor obligations from the authors, for qualified field service engineers.

If you are not a qualified technician, please make no adjustments to anything you may read about in these Adobe manual downloads.

www.film-tech.com

EM O.	PART NO.	QTY. PER ASSY	QTY. REQ.	QTY. ISSUED	QTY. SHIP.	REC. SPARE PIS.	PART NAME	B-H P/N
	119456-001	1					Case Cover	
	119457-001	1					Outer Bearing	
	119458-001	2					Bracket Fastening Screw	
	119459-001	2					Bracket Locating	
	119460-001	1					Star Wheel	
	119461-001	1					Star Shaft Bearing	
	119462-001	1					Star Shaft	
	119463-001	1					Star Shaft Bearing	
	119464-001	2					Central Bearing	
	119465-001	1					Central Bearing	
	119467-001	1					Sprocket Fastener	
	119468-001	1					Sprocket Fastener	
	119469-001	1					Star Shaft Bearing	
	119470-001	1					Spring, Finger	
	119471-001	1					Decorative Cover	
	119472-001	1					Decorative Cover Fastener	
	119475-001	1					Oil Sight Glass	
	119476-001	1					Oil Sight Glass	

THESE DRAWINGS AND SPECIFICATIONS ARE THE PROPERTY OF CHRISTIE ELECTRIC CORP. AND SHALL NOT BE REPRODUCED OR COPIED, OR USED AS THE BASIS FOR THE MANUFACTURE, PROCUREMENT OR SALE OF APPARATUS WITHOUT PERMISSION.

ECO	POSTED	MAT. ISSUED
22281	BY	BY
		DATE

ASSEMBLY NAME: DOUSER ASSEMBLY MODEL # P35 DATE REC'D

ITEM NO.	PART NO.	QTY. PER ASSY	QTY. REQ.	QTY. ISSUED	QTY. SHIP.	REC. SPARE PFS.	PART NAME	D-II P/N
1	119203-001	1					Douser	7812280
2	119204-001	1					Douser, connector	7812285
3	598931-022	2					Screw, Set, Hex Socket, Cup Point, 6-32 x 3/16	

THESE DRAWINGS AND SPECIFICATIONS ARE THE PROPERTY OF CHRISTIE ELECTRIC CORP AND SHALL NOT BE REPRODUCED, COPIED OR USED AS THE BASIS FOR THE MANUFACTURE, PURCHASE, RENT OR SALE OF APPARATUS WITHOUT PERMISSION.

ISSUED BY: ECO DATE: POSTED BY: DATE: MAT. ISSUED BY: DATE:

MODEL # P35

INTERMITTENT BODY

ASSEMBLY NAME

QTY DATE REQ'D

PART NO.	QTY. PER ASSY	QTY. REQ.	QTY. ISSUED	QTY. SHI.	REC. SPARE PTS.	PART NAME	B-H P/N
119477-001	1					Oil Sight Glass	
119478-001	1					Case	
119479-001	1					Cam	
119480-001	1					Cam Shaft Inner Bearing	
119481-001	1					Cam Shaft Oil	
119482-001	1					Cam Shaft Bearing	
119483-001	1					Pivot Pin	
119484-001	1					Flywheel	
119486-001	3					Drive Pulley Fastening Screw	
119487-001	1					Flywheel Clamp	
119488-001	1					Flywheel Clamp	
119489-001	1					Case Cover	
119490-001	5					Cover Fastening Screw	
119491-001	2					Fine Adjust Screw	
119492-001	1					Fill/Drain Screw	
119493-001	1					Seal	

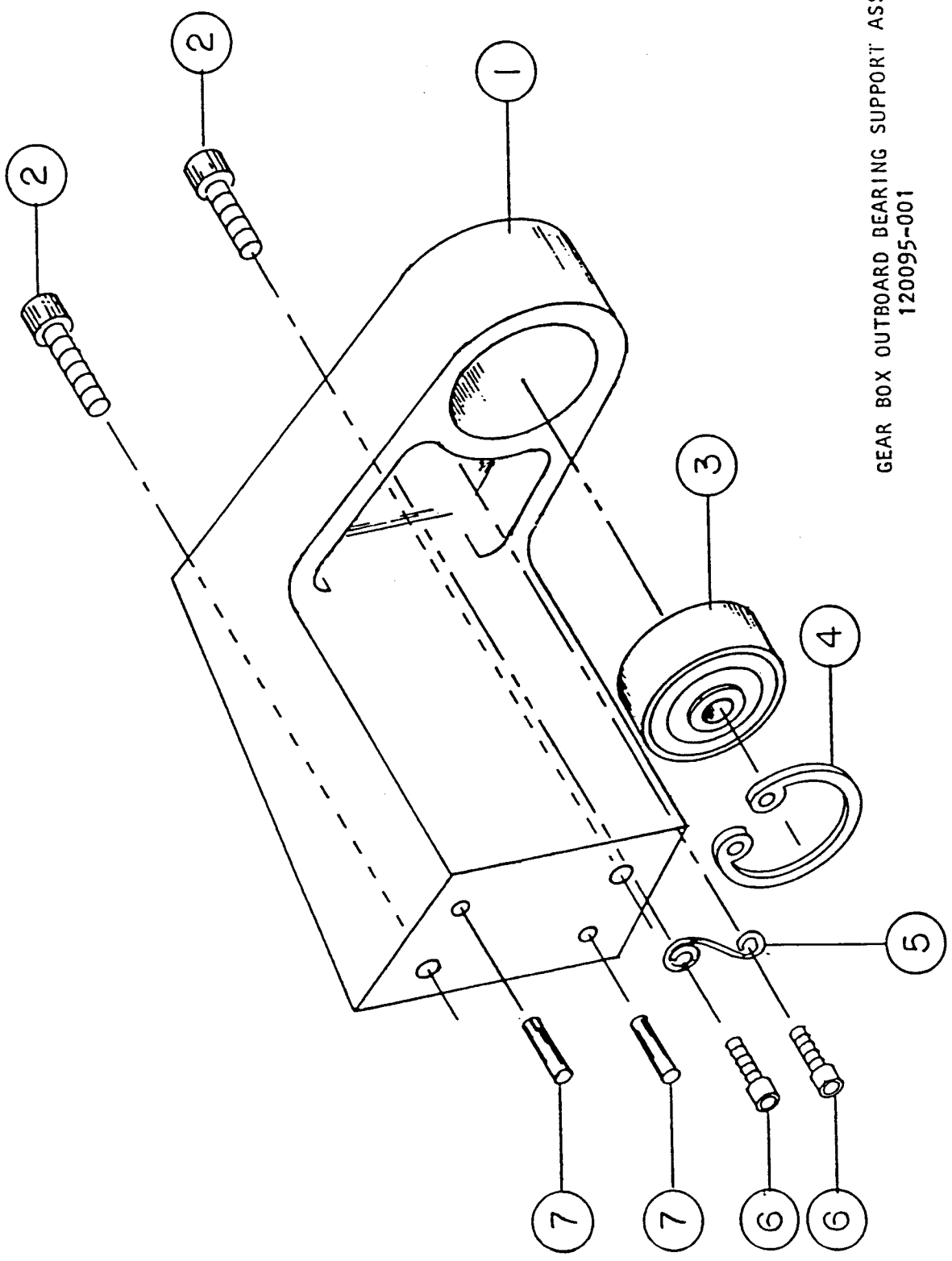
THESE DRAWINGS AND SPECIFICATIONS ARE THE PROPERTY OF CHRISTIE ELECTRIC CORP. AND SHALL NOT BE REPRODUCED OR COPIED OR USED AS THE BASIS FOR THE MANUFACTURE, PROCUREMENT OR SALE OF APPARATUS WITHOUT PERMISSION.

ECO	POSTED	MAT. ISSUED
BY	BY	DATE

ITEM NO.	PART NO.	QTY. PER ASSY	QTY. REQ.	QTY. ISSUED	QTY. SHIP.	REC. SPARE PTS.	PART NAME	D-II P/N
1	119277-001	1					Outboard Bearing Support Block	7012308
2	598931-030	2					Screw, Socket Head Cap, Hex Socket, 1/4-20x3/4	
3	598931-176	1					Bearing, Sealed	
4	598931-190	1					Retaining Ring, Internal	
5	598931-253	1					Spring, Receptacle for 1/4 Turn Fastener	
6	598931-038	2					Screw, Socket Head Cap, 4-40x1/4	
7	598931-016	2					Dowel Pin, Standard Hardened, 1/8 dia.x 3/8	

REV	ECO	POSTED	MAT. ISSUED
		BY	DATE
		BY	DATE

THESE DRAWINGS AND SPECIFICATIONS ARE THE PROPERTY OF CHRISTIE ELECTRIC CORP. AND SHALL NOT BE REPRODUCED OR COPIED OR USED AS THE BASIS FOR THE MANUFACTURE, PROCUREMENT OR SALE OF APPARATUS WITHOUT PERMISSION.



GEAR BOX OUTBOARD BEARING SUPPORT ASSEMBLY
120095-001

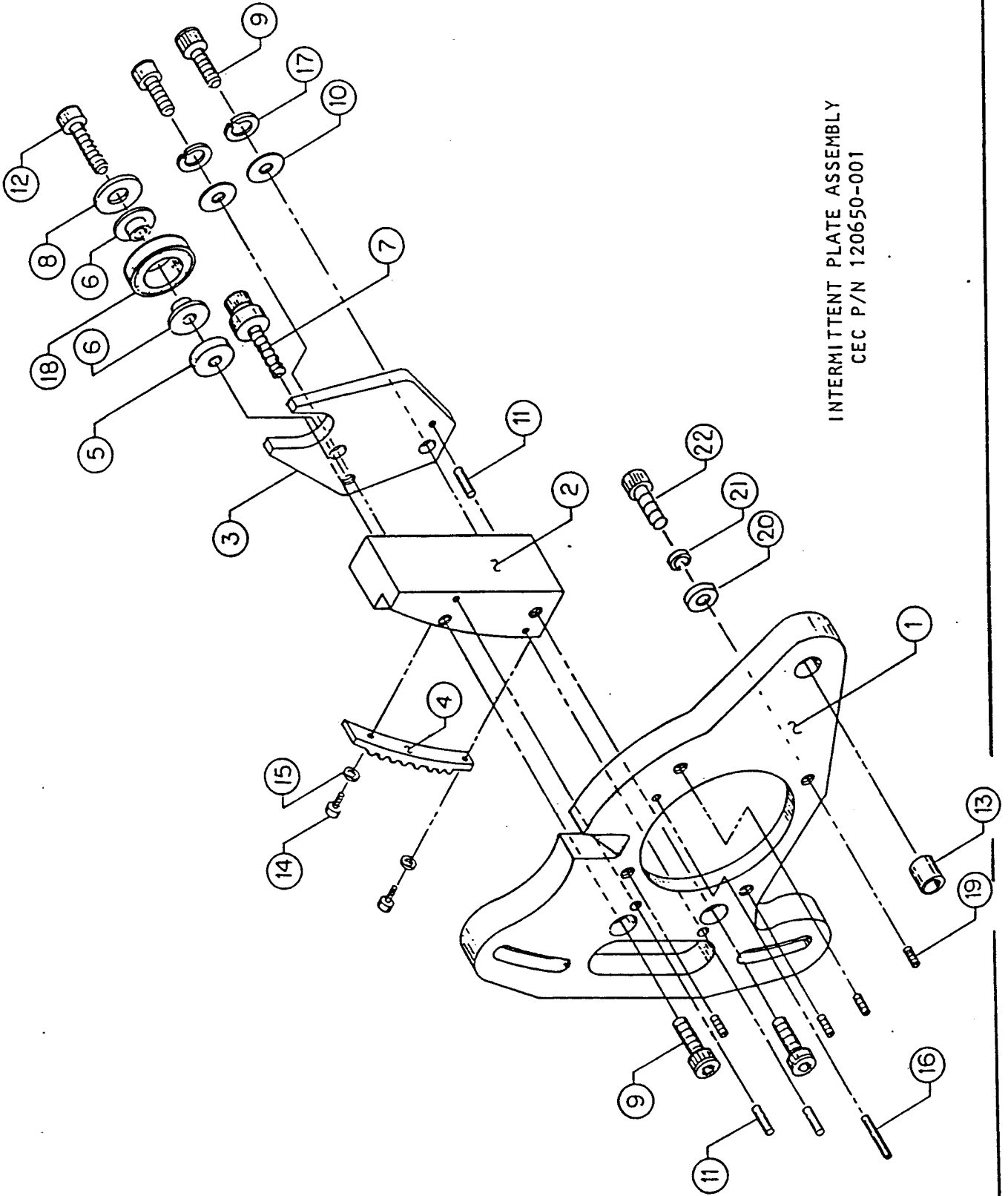
REG. #	ITEM NO.	W.O. #	PART NO.	QTY. PER ASSY	QTY. REQ.	QTY. ISSUED	QTY. SHI.	REC. SPARE PIS.	PART NAME	B-H P/N
	1		121208-001	1					Plate Intermittent	7812502
	2		121209-001	1					Block, Intermittent	7812503
	3		119059-001	1					Idler Mounting Plate	7812432
	4		119074-001	1					Framing Rack	7812157
	5		119060-001	1					Standoff, Bearing Mtg., Intermittent	7812127
	6		121120-001	2					Isolator	7812521
	7		121239-001	1					Eccentric Assembly	7812518
	8		119150-001	1					Cap, Washer	7812229
	9		598931-030	4					Screw, Socket Head, Hex Socket, 1/4-20 x 3/4	
	10		598931-207	2					Washer, Plain Flat, #1/4	
	11		598931-017	3					Pin, Dowel, 1/8D x 1/2L	
	12		598931-031	1					Screw, Socket Head, HexSocket, 1/4-20 x 1.0	7812138
	13		119071-001	1					Pivot, Sleeve	
	14		598931-039	2					Screw, Socket Head, Hex Socket, 4-40 x 3/8	
	15		598931-209	2					Washer, Split Lock, #4	
	16		598931-131	1					Pin, Roll, 3/32 x 1/2	
	17		598931-086	2					Washer, Split Lock, #1/4	
	18		598931-121	1					Bearing, Ball, Plain, 0.5 ID, 1.128 OD	R8771F

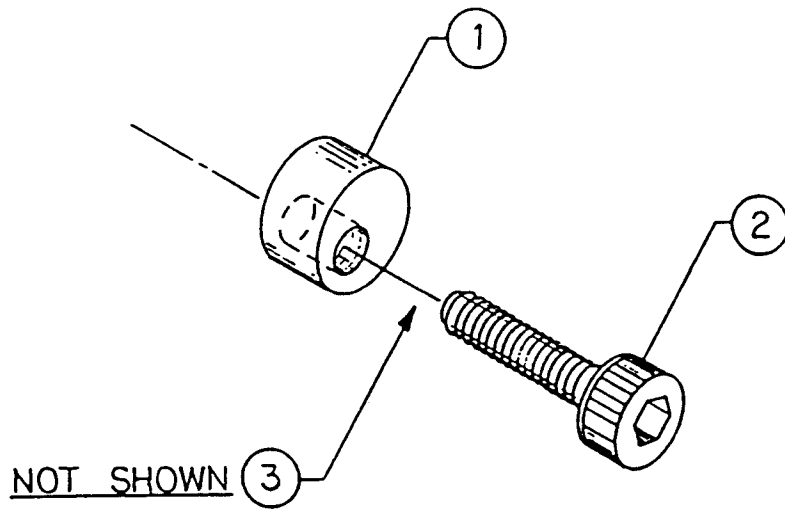
ASSEMBLY NAME: INTERMITTENT PLATE ASSEMBLY 7812520

REV A	ECO	C	POSTED	MAT. ISSUED
B		D	BY	BY
		6 10240	DATE	DATE

THESE DRAWINGS AND SPECIFICATIONS ARE THE PROPERTY OF CHRISTIE ELECTRIC CORP. AND SHALL NOT BE REPRODUCED OR COPIED OR USED AS THE BASIS FOR THE MANUFACTURE, PROCUREMENT OR SALE OF APPARATUS WITHOUT PERMISSION.

INTERMITTENT PLATE ASSEMBLY
CEC P/N 120650-001





FW

ECCENTRIC ASSEMBLY
121239-001

T 2 OF 2

ASSEMBLY NAME
INTERMITTENT PLATE ASSEMBLY
7812520

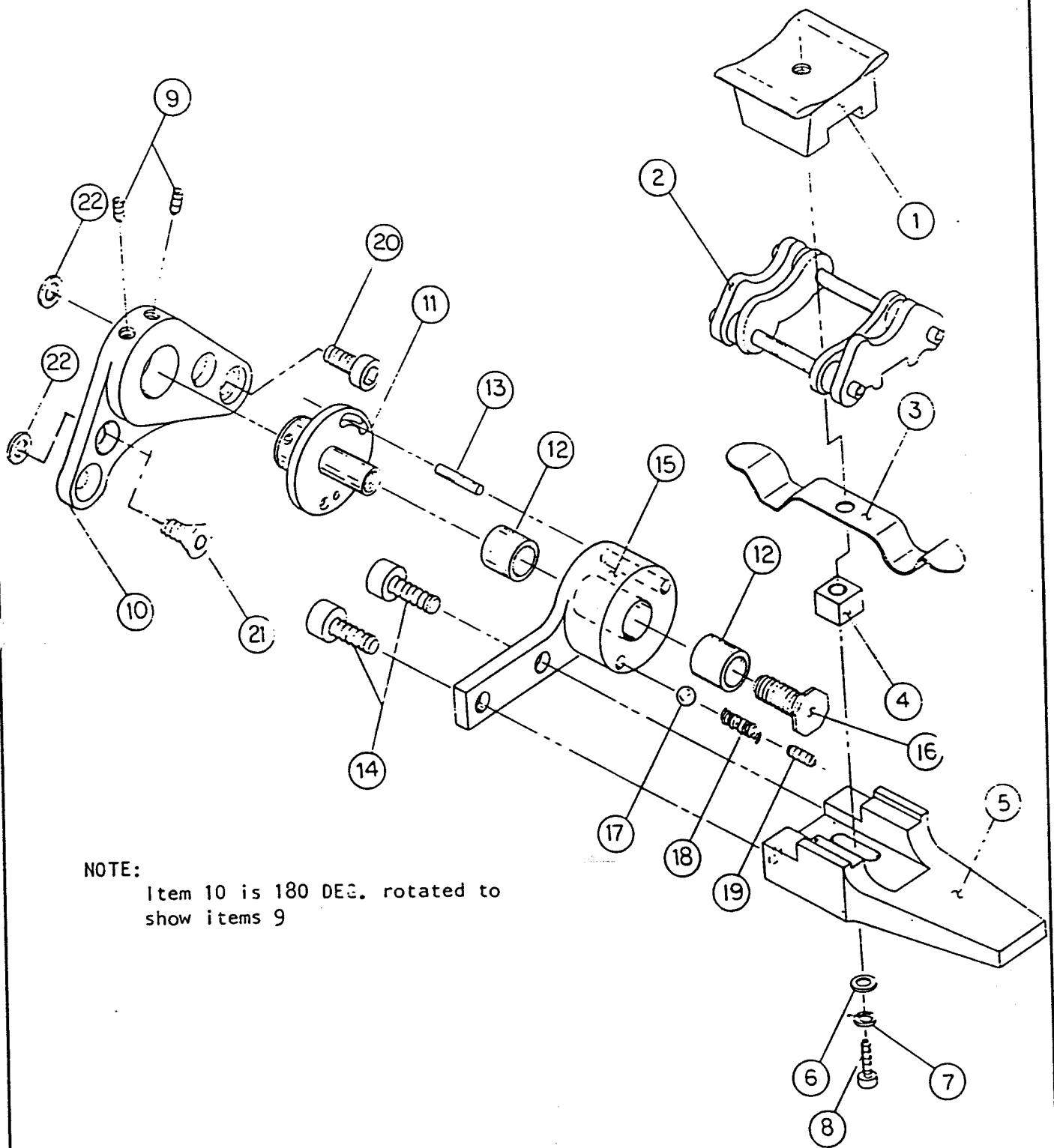
MODEL # P35
QTY
DATE REQ'D

PART NO.	QTY. PER ASSY	QTY. REQ.	QTY. ISSUED	QTY. SHIP.	REC. SPARE PTS.	PART NAME	B-H P/N	REMARKS
515000-205	4					Insert, #8-32		Ref. only See Basic
119292-001	4					Washer, Clamp Ultramittent	7812125	" "
598931-084	4					Washer, Split Lock, #8		" "
598931-044	4					Screw, Socket Head Cap. Hex Socket, 8-32 x 1/2		" "

THESE DRAWINGS AND SPECIFICATIONS ARE THE PROPERTY OF CHRISTIE ELECTRIC CORP. AND SHALL NOT BE REPRODUCED, OR COPIED, OR USED AS THE BASIS FOR MANUFACTURE, PROCUREMENT OR SALE WITHOUT PERMISSION.

ECO

POSTED _____ MAT. ISSUED _____
BY _____ DATE _____



NOTE:
 Item 10 is 180 DEG. rotated to
 show items 9

ASSEMBLY INTERMITTENT SHOE CLOSER
 120651-001

ASSEMBLY NAME
ECCENTRIC ASSEMBLY

MODEL # P35
QTY 7812518

DATE REQ'D

EM O.	PART NO.	QTY. PER ASS'Y	QTY. REQ.	QTY. ISSUED	QTY. SHIP.	REC. SPARE PTS.	PART NAME	B-H P/N
	121194-001	1					Eccentric Ultramittent	7812517
	598931-031	1					Screw, Socket Head, Hex Socket, 1/4-20 x 1.0	
	509102-017	AR					Adhesive, Quick Gel	Loctite #40945

THESE DRAWINGS AND SPECIFICATIONS ARE THE PROPERTY OF CHRISTIE ELECTRIC CORP. AND SHALL NOT BE REPRODUCED OR COPIED, OR USED AS THE BASIS FOR THE MANUFACTURE, PROCUREMENT OR SALE OF APPARATUS WITHOUT PERMISSION.

	POSTED	MAT. ISSUED
BY	BY	DATE

	DATE
--	------

V ECO 22240

ASSEMBLY NAME		INTERMITTENT SHOE CLOSER		MODEL #	P35	DATE REQ'D	
ASSEMBLY NAME		INTERMITTENT SHOE CLOSER		QTY	7812400		
PART NO.	QTY. PER ASSY	QTY. REQ.	QTY. ISSUED	QTY. SHIP.	REC. SPARE PIS.	PART NAME	B-H P/N
119075-001	1					Block, Aligning, Pressure Pad, Intermittent	7812298
598931-112	1					Intermittent Film Guide Shoe	
119077-001	1					Intermittent Film Guide Shoe Spring	
119067-001	1					Spacer, Shoe Mounting	7812134
120557-001	1					Extension, Arm, Intermittent Shoe	7812404
598931-068	1					Washer, Plain Flat, #6	
598931-083	1					Washer, Split Lock, #6	
598931-043	1					Screw, Socket Head Cap, Hex Socket 6-32 x 7/8	
598931-025	2					Screw, Set, Hex Socket, Cup point, 10-32 x 1/4	
120654-001	1					Base, Intermittent Shoe	7812408
120653-001	1					Shaft Assembly	
598931-289	2					Sleeve Bearing	
598931-017	1					Pin, Dowel, 1/8 DIA x 1/2 Long	
598931-409	2					Screw, Socket Head Cap, Hex Socket, 8-32 x 3/8	
120652-001	1					Intermittent Film Guide Shoe, Arm	7812405
119055-001	1					Screw, Shaft End	7812117
598931-294	1					Ball, .1875 Dia	
598931-295	1					Spring, Compression	

THESE DRAWINGS AND SPECIFICATIONS ARE THE PROPERTY OF CHRISTIE ELECTRIC CORP. AND SHALL NOT BE REPRODUCED OR COPIED OR USED AS THE BASIS FOR THE MANUFACTURE, PROCUREMENT OR SALE OF APPARATUS WITHOUT PERMISSION.

POSTED BY DATE
MAY 19 1967

MAT. ISSUED BY DATE

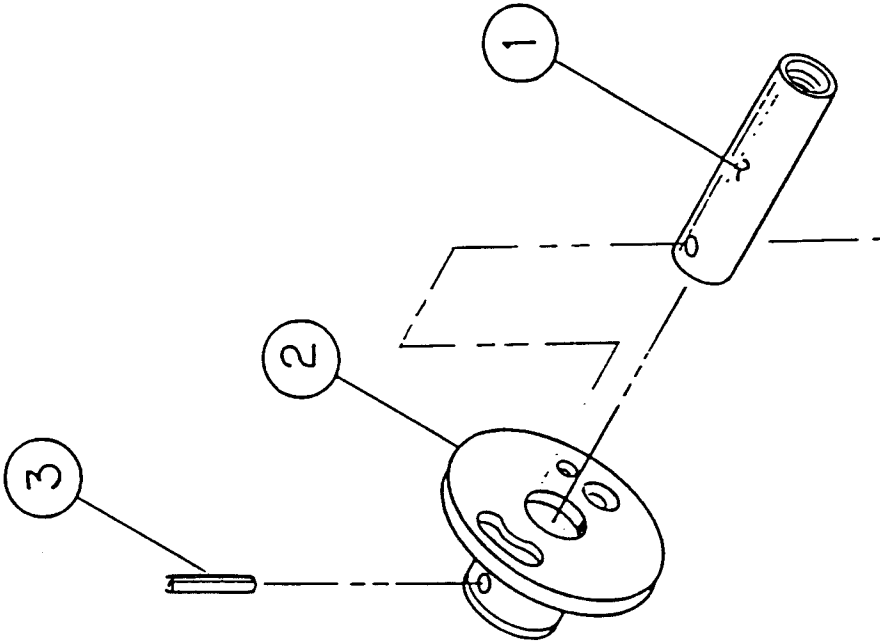
12 1967

REG. #	ASSEMBLY NAME	MODEL #	DATE REQ'D
7812	SHAFT ASSEMBLY	P35	

ITEM NO.	W.O. #	PART NO.	QTY. PER ASSY	QTY. REQ.	QTY. ISSUED	QTY. SHIP.	REC. SPARE PIS.	PART NAME	B-H P/N
1		120656-001	1					Shaft, Intermittent Shoe	7812406
2		120657-001	1					Shoulder, Shaft, Intermittent Shoe	7812407
3		598931-301	1					Spring pin, 3/32 x 7/16	

REV	ECO		POSTED	MAT. ISSUED
A	2022		BY	BY
			DATE	DATE

THESE DRAWINGS AND SPECIFICATIONS ARE THE PROPERTY OF CHRISTIE ELECTRIC CO. AND SHALL NOT BE REPRODUCED OR COPIED OR USED AS THE BASIS FOR THE MANUFACTURE, PROCUREMENT OR SALE OF APPARATUS WITHOUT PERMISSION.



SHAFT ASSEMBLY
120653-001



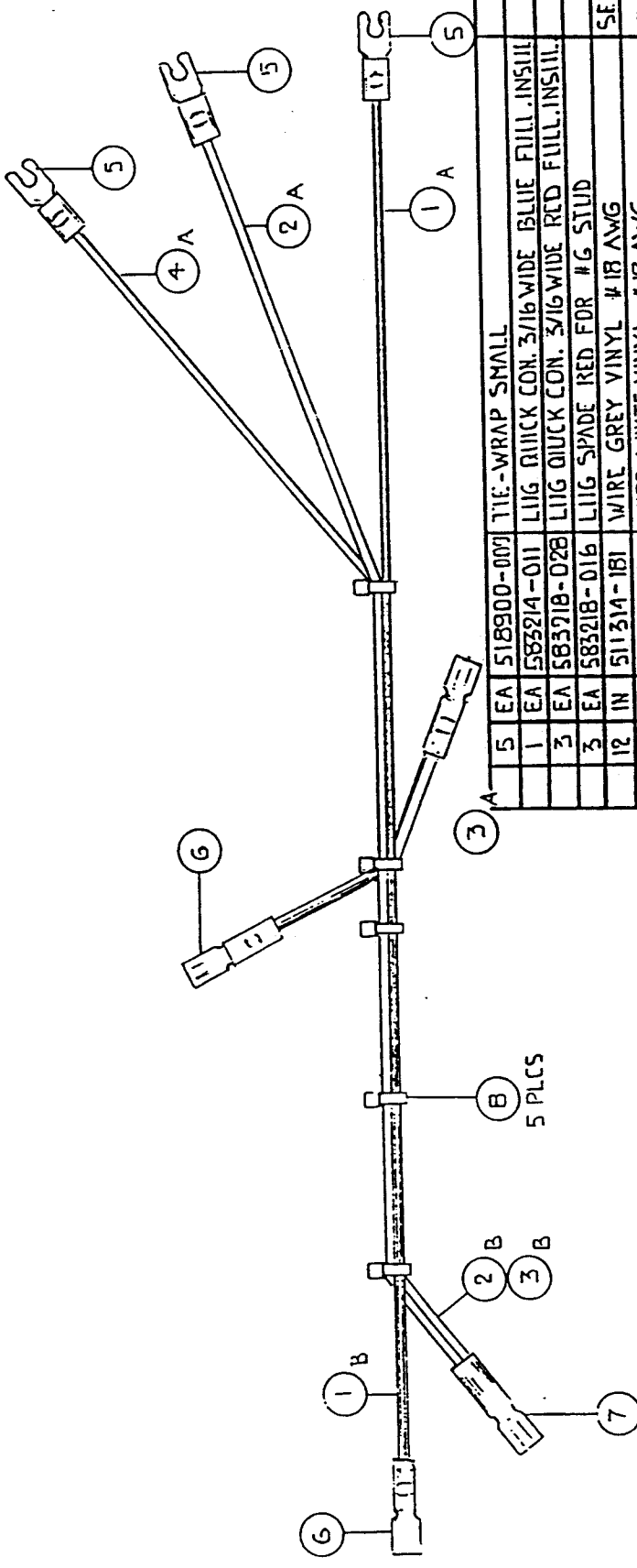
ITEM NO.	W.O. #	REG. #	PART NO.	QTY. PER ASSY	QTY. REQ.	QTY. ISSUED	QTY. SHIP.	REC. SPARE PTS.	PART NAME
1			511311-181	12 1/2 IN					Wire, Black Vinyl, #18 AWG
2			511311-182	12 IN					Wire, White Vinyl, #18 AWG
3			511311-182	6 1/2 IN					Wire, White Vinyl, #18 AWG
4			511314-181	12 IN					Wire, Grey Vinyl, #18 AWG
5			583218-016	3					Lug, Spade, Red for 22/18 AWG, #6 Stud
6			583218-028	3					Lug, O.C. for 3/16 Tab, Red for 22/18 AWG
7			583214-011	1					Lug, O.C. for 3/16 Tab, Blue for 16/14 AWG
8			518900-009	5					Tie Wrap, Small

THESE DRAWINGS AND SPECIFICATIONS ARE THE PROPERTY OF CHRISTIE ELECTRIC CO. AND SHALL NOT BE REPRODUCED, OR COPIED OR USED AS THE BASIS FOR THE MANUFACTURE, PROCUREMENT OR SALE OF APPARATUS WITHOUT PERMISSION.

REV	ECO	POSTED	MAT. ISSUED
A	22341	BY	DATE

DUW. NO. 121309

REV	DATE	APPROVED
A	REL. PER ITCO 22341	R77/B7



ALL DIMENSIONS SPECIFIED UNLESS OTHERWISE SPECIFIED ARE IN INCHES. DIMENSIONS ARE TO BE TAKEN FROM THE CENTER OF THE PART UNLESS OTHERWISE SPECIFIED.

QTY	CHG	DATE	PART OR IDENTIFYING NO	DESCRIPTION	MATERIAL SPECIFICATION	ITEM NO
5	EA	518900-000		TIE-WRAP SMALL		8
1	EA	585214-011		LUG QUICK CON. 3/16 WIDE BLUE FULL-INSUL		7
3	EA	583718-028		LUG QUICK CON. 3/16 WIDE RED FULL-INSUL		9
3	EA	583218-016		LUG SPADE RED FOR #6 STUD		5
12	IN	511314-181		WIRE GREY VINYL #18 AWG	SEE NOTE 1	4
6 1/2	IN	511311-182		WIRE WHITE VINYL #18 AWG	"	3
12	IN	511311-182		WIRE WHITE VINYL #18 AWG	"	2
12 1/2	IN	511311-181		WIRE BLACK VINYL #18 AWG	"	1
-001	X	121309		THIS ASSEMBLY		

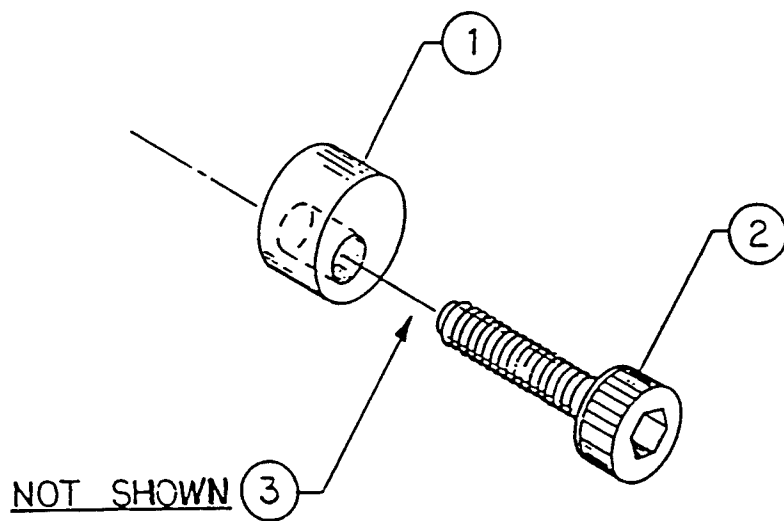
CHRISTIE
INCORPORATED

HARNESS ASSEMBLY
AUTO CHANGE OVER

CONTRACT NO	DATE
APPROVALS	8/6/87
DESIGNED BY	G.J.S.
CHECKED BY	
REVISIONS	
TESTED BY	

SIZE	FORM NO.	DUW. NO.	SHEET
B		121309	A

STRIP WIRE 1/4 INCH ON BOTH SIDE AND LUG ITEM 5, 6 OR 7 PER DRAWING ABOVE
NOTES: UNLESS OTHERWISE SPECIFIED



FW

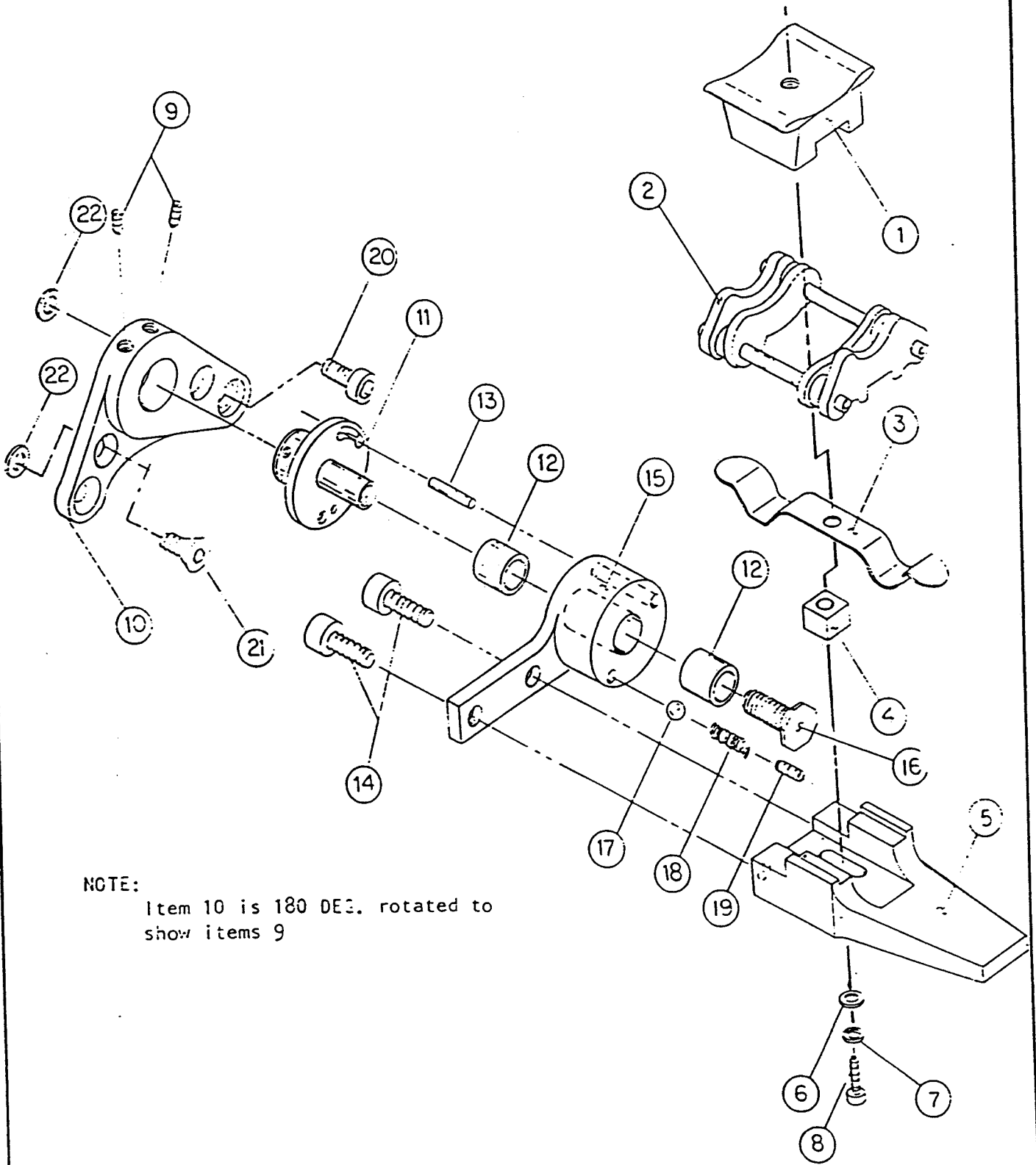
ECCENTRIC ASSEMBLY
121239-001

SHEET 1 C

REG. #		ASSEMBLY NAME		INTERMITTENT SHOE CLOSER		MODEL #	DATE REQ'D	
W.O. #		ASSEMBLY NAME		INTERMITTENT SHOE CLOSER		P35		
ITEM NO.	PART NO.	QTY. PER ASSY	QTY. REQ.	QTY. ISSUED	QTY. SHIP.	REG. SPARE PIS.	PART NAME	B-II P/N
1	119075-001	1					Block, Aligning, Pressure Pad, Intermittent	7812298
2	598931-112	1					Intermittent Film Guide Shoe	
3	119077-001	1					Intermittent Film Guide Shoe Spring	7812134
4	119067-001	1					Spacer, Shoe Mounting	7812404
5	120557-001	1					Extension, Arm, Intermittent Shoe	
6	598931-068	1					Washer, Plain Flat, //6	
7	598931-083	1					Washer, Split Lock, //6	
8	598931-043	1					Screw, Socket Head Cap, Hex Socket 6-32 x 7/8	
9	598931-025	2					Screw, Set, Hex Socket, Cup point, 10-32 x 1/4	7812408
10	120654-001	1					Base, Intermittent Shoe	
11	120653-001	1					Shaft Assembly	
12	598931-289	2					Sleeve Bearing	
13	598931-017	1					Pin, Dowel, 1/8 DIA x 1/2 Long	
14	598921-409	2					Screw, Socket Head Cap, Hex Socket, 8-32 x 3/8	7812405
15	120652-001	1					Intermittent Film Guide Shoe, Arm	7812117
16	119055-001	1					Screw, Shaft End	
17	598931-294	1					Ball, .1875 Dia	
18	598931-295	1					Spring, Compression	

THESE DRAWINGS AND SPECIFICATIONS ARE THE PROPERTY OF CHRISTIE ELECTRIC CO. AND SHALL NOT BE REPRODUCED, COPIED, OR USED IN ANY MANNER FOR THE MANUFACTURE, REPAIR, OR SALE OF APPARATUS WITHOUT PERMISSION.

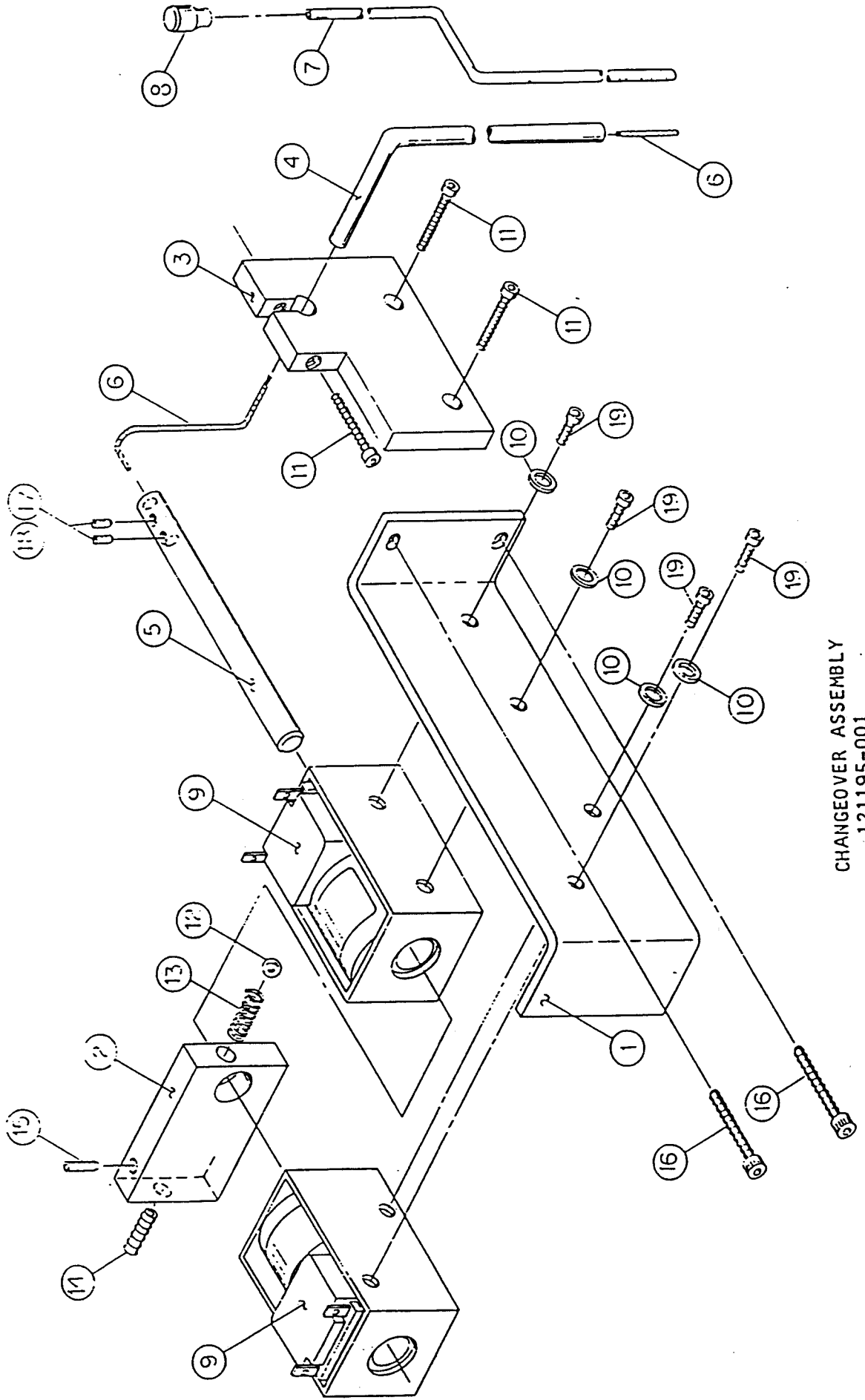
REV	ECO	DATE	BY	DATE	POSTED	MAT. ISSUED
A						



NOTE:

Item 10 is 180 DEG. rotated to show items 9

ASSEMBLY INTERMITTENT SHOE CLOSER
120651-001



CHANGEOVER ASSEMBLY
121195-001

ASSEMBLY NAME

INTERMITTENT SIDOE CLOSER

MODEL # P35

QTY

DATE REC'D

B-II P/N

PART NAME

REC. SPARE PIS.

QTY. SHIP.

QTY. ISSUED

QTY. REQ.

QTY. REQ. ASSY

PART NO.

598931-299

Screw, Sel, Hex Socket, Cup point 10-32 x 3/16

598931-044

Screw, Socket Head Cap, Hex Socket 8-32 x 1/2

598931-213

Screw, Flat Head 82Deg, Hex Socket 8-31 x 1/2

598931-416

Shlm, 0.057TH. x .2810D x .1631D

THESE DRAWINGS AND SPECIFICATIONS ARE THE PROPERTY OF CURTIS ELECTRIC CORP. AND SHALL NOT BE REPRODUCED, OR COPIED, OR USED AS THE BASIS FOR THE MANUFACTURE, PROCUREMENT OR SALE OF APPARATUS WITHOUT PERMISSION.

MAT. ISSUED

POSTED

BY

BY

DATE

ECO

SHEET 1

ITEM NO.		PART NO.		QTY. PER ASSY	QTY. REQ.	QTY. ISSUED	QTY. SHIP.	REC. SPARE PIS.	PART NAME	DATE REQ'D	B-H P/N	DAVIES
1	121196-001	1							Plate Mounting			
2	121199-001	1							Block, Friction		7812554	
3	121200-001	1							Plate, Clamp		7812555	
4	121201-001	1							Tube		7812556	
5	121202-001	1							Plunger, Solenoid		7812557	
6	121203-001	1							Cabel, R.H. Lay, Flex Shaft, .095 Dia		7812558	
7	121204-001	1							Rod, Manual		7812559	
8	598931-410	1							Knob, 1/2H, 6-32 Female Insert			Davies Guardian 11-int-120A
9	121205-001	2							Solenoid, Modified		7812560	
10	598931-068	4							Washer, Plain Flat, //6			
11	598931-045	3							Screw, Socket Head Cap, Hex Socket, 8-32x5/8			
12	598931-294	1							Ball, .1875 Dia, Stainless Steel			Lee LC-0148-4SS
13	598931-413	1							Spring, .180 OD X .014 Wire x 7/16 Long			
14	598931-185	1							Screw, Set, Hex Socket, Cup Point, 10-32x1/2			
15	598931-414	1							Screw, Set, Hex Socket, Nylon Tip, 8-32x3/8			Lexington
16	598931-046	2							Screw, Socket Head Cap, Hex Socket, 8-32x3/4			
17	121206-001	2							Screw, Set, Hex Socket, 6-32x .110 (Modified)		7812561	
18	598931-415	.01							Loctite //290 (use on item //17 only)			

THESE DRAWINGS AND SPECIFICATIONS ARE THE PROPERTY OF CHRISTIE ELECTRIC CORP AND SHALL NOT BE REPRODUCED OR COPIED OR USED AS THE BASIS FOR THE MANUFACTURE, PROCUREMENT OR SALE OF APPARATUS WITHOUT PERMISSION.

REV	ECO	B	22305	POSTED	MAT. ISSUED
				IIY	IIY
		C	22341	DATE	DATE

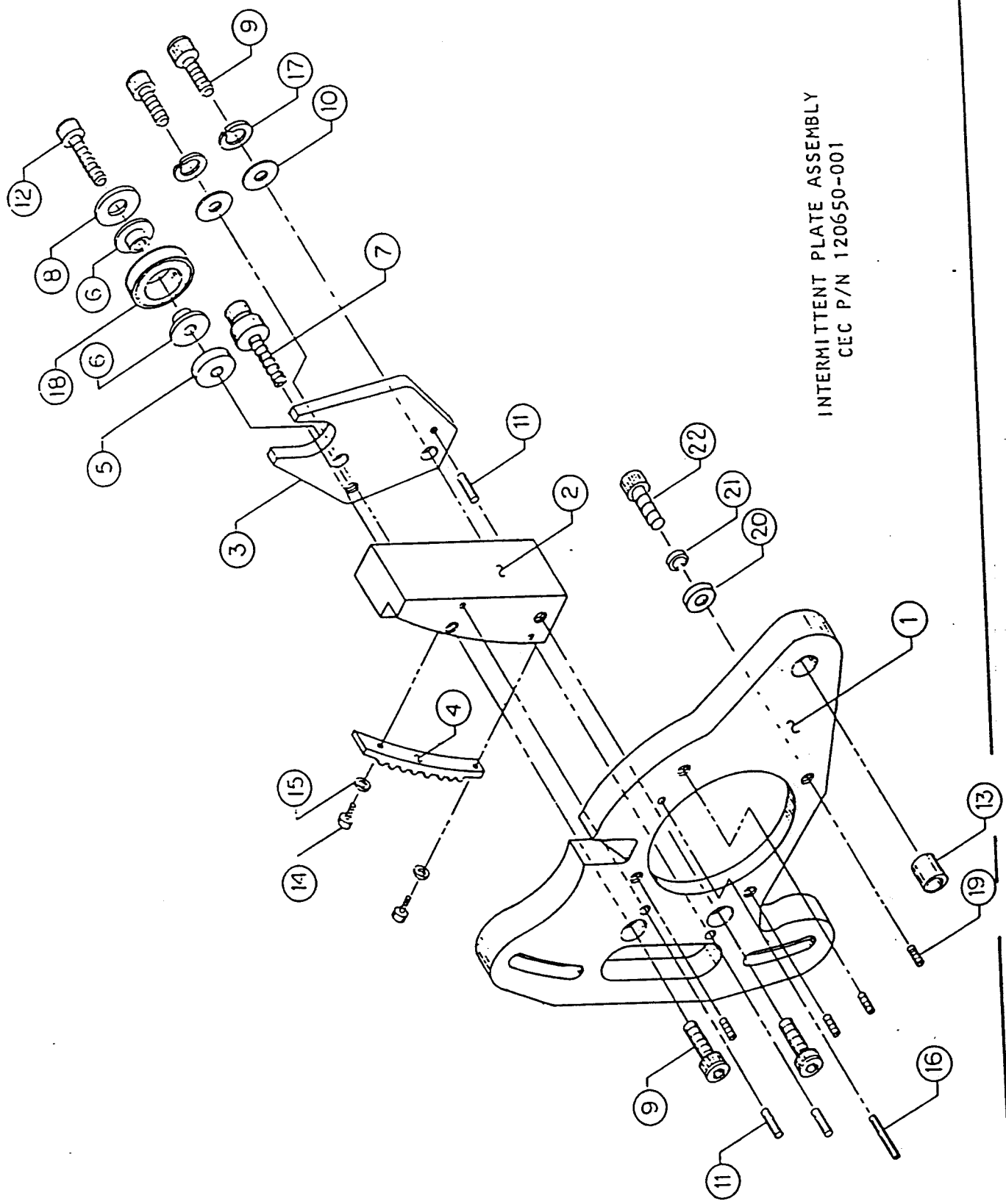
EXPLOD TR N ID 121195-001 MORE TO FOLLOW

Data Trans 960515 *** Bill of Material Explosion/Implosion ***

Level 01 CHANGEOVER ASSY

Qty Usage:Gross Extended 0019

Level	Dir	Part No	Description	Usage:Gross	Extended
		0010 121196P001	PLATE MOUNTING SOLENOID	EA 1.000	1.000
		0020 121199-001	BLOCK FRICTION	EA 1.000	1.000
		0030 121200-001	PLATE CLAMP	EA 1.000	1.000
		0060 121201-001	TUBE	EA 1.000	1.000
		0070 121202-001	PLUNGER SOLENOID	EA 1.000	1.000
		0080 121203-001	CABLE FLEX SHAFT	EA 1.000	1.000
		0090 121204-001	ROD MANUAL	EA 1.000	1.000
		0100 121205-001	SOLENOID MODIFIED	EA 2.000	2.000
		0110 121206-001	SCR, SET, 6-32 X.110	EA 2.000	2.000
		0120 121309-001	HARNES ASSY ACO.	EA 1.000	1.000
		0130 598931-045	SCR, SHC 8-32x5/8"	EA 3.000	3.000
		0140 598931-046	SCR, SHC 8-32x3/4"	EA 2.000	2.000
		0150 598931-068	FLAT WASHER	EA 4.000	4.000
		0180 598931-294	BALL .1875DIA	EA 1.000	1.000
		0190 598931-410	KNOB CHANGEOVER	EA 1.000	1.000
		0200 598931-413	SPRING COMPRES.	EA 1.000	1.000
		0210 598931-414	SCR, SET, 8-32 X 3/8 CHANGE OV	EA 1.000	1.000
		0230 598931-415	LOCTITE 290	EA	
		0240 598931-434	SCR, SHC 6-32x3/16"	EA 4.000	4.000



INTERMITTENT PLATE ASSEMBLY
CEC P/N 120650-001

MODEL # P35
QTY DATE RECD

INTERMITTENT PLATE ASSEMBLY 7812520

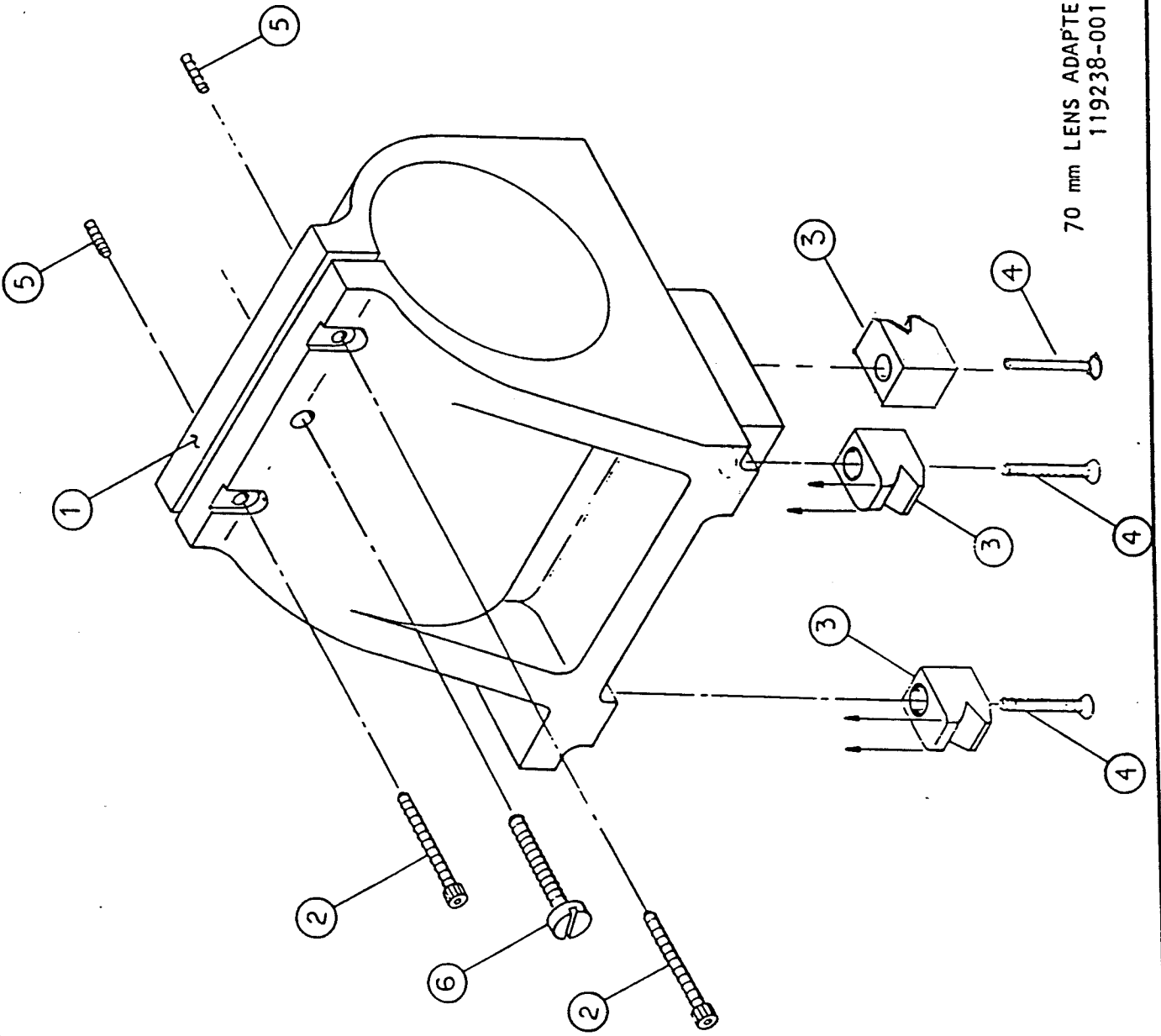
ASSEMBLY NAME

PART NO.	QTY. PLIN ASS'Y	QTY. REQ.	QTY. ISSUED	QTY. SHIP.	INC. SPARE PIS.	PART NAME	B-H P/N
121208-001	1					Plate Intermittent	7812502
121209-001	1					Block, Intermittent	7812503
119059-001	1					Idler Mounting Plate	7812432
119074-001	1					Framing Rack	7812157
119060-001	1					Standoff, Bearing Mtg., Intermittent	7812127
121120-001	2					Isolator	7812521
121239-001	1					Eccentric Assembly	7812518
119150-001	1					Cap, Washer	7812229
598931-030	4					Screw, Socket Head, Hex Socket, 1/4-20 x 3/4	
598931-207	2					Washer, Plain Flat, #1/4	
598931-017	3					Pin, Dowel, 1/8D x 1/21	
598931-031	1					Screw, Socket Head, Hex Socket, 1/4-20 x 1.0	
119071-001	1					Pivot, Sleeve	7812138
598931-039	2					Screw, Socket Head, Hex Socket, 4-40 x 3/8	
598931-209	2					Washer, Split Lock, #1/4	
598931-131	1					Pin, Roll, 3/32 x 1/2	
598931-086	2					Washer, Split Lock, #1/4	
598931-121	1					Bearing, Ball, Plain, 0.5 ID, 1.128 OD	R87711F

THESE DRAWINGS AND SPECIFICATIONS ARE THE PROPERTY OF GIBBIE ELECTRIC CORP. AND SHALL NOT BE REPRODUCED, COPIED, OR USED AS THE BASIS FOR THE MANUFACTURE, PROCUREMENT OR SALE OF APPARATUS WITHOUT PERMISSION.

ECO	DATE	BY	POSTED	MAT. ISSUED
C				
D				
	12270			

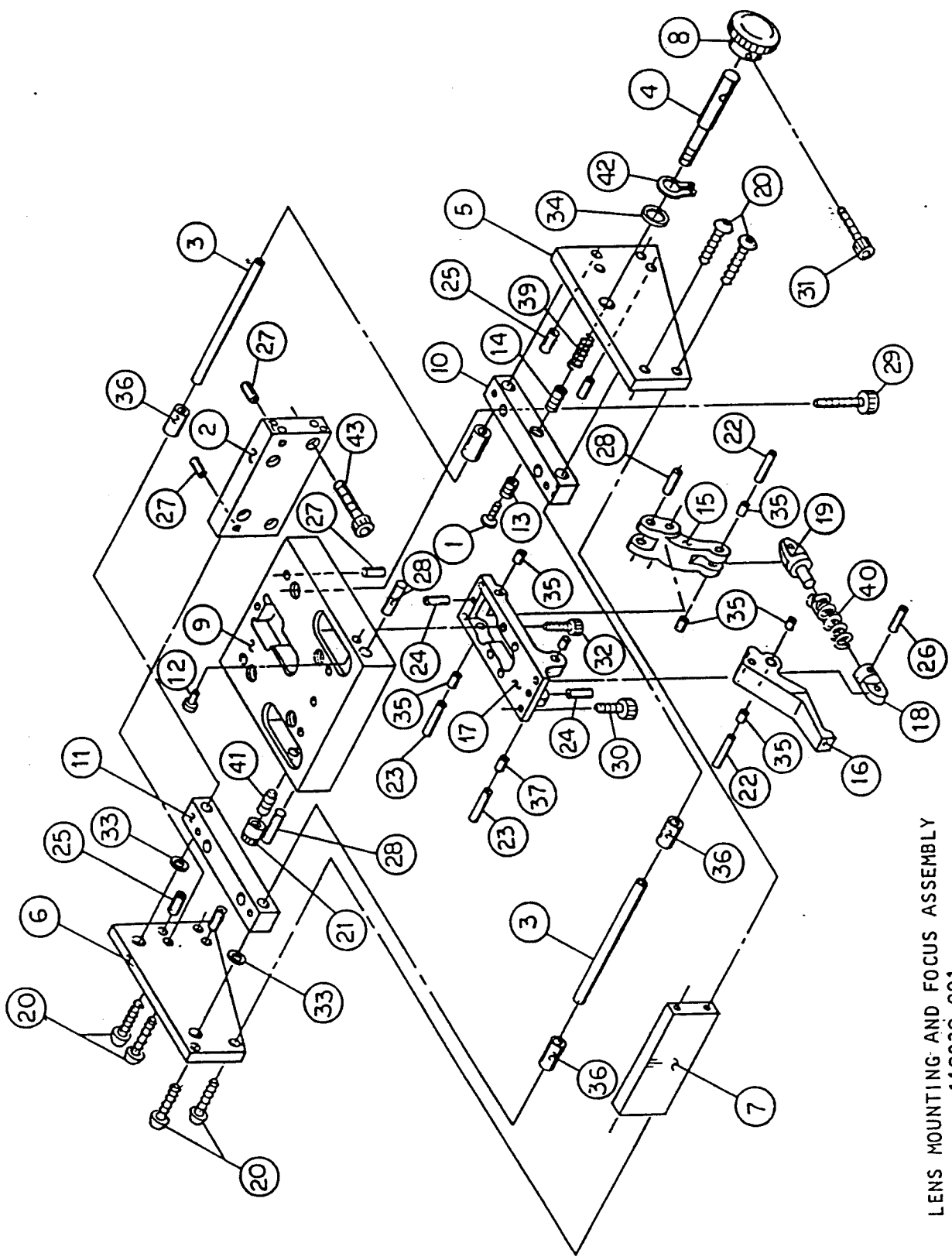
70 mm LENS ADAPTER ASSEMBLY
119238-001



SHEET		-3-		ILL OF MATERIAL		ASSEMBLY # PL- 11743		ASSEMBLY NAME		LENS MOUNTING AND FOCUS ASSEMBLY		MODEL # P35		DATE REQ'D	
REG. #	W.O. #	PART NO.	QTY. PER ASSY	QTY. REQ.	QTY. ISSUED	QTY. SHIP.	REC. SPARE PIS.	PART NAME	B-H P/N	QTY	DATE	QTY	DATE	QTY	DATE
1	119055-001		1					Screw, Shaft End	7812117						
2	119105-001		1					Bracket, Separator Mounting	7812177						
3	119108-001		2					Slide Bar	7812180						
4	119113-001		1					Lead Screw	7812181						
5	119117-001		1					Bracket Support Front	7812182						
6	119123-001		1					Bracket Support Rear	7812183						
7	119124-001		1					Separator Plate	7812184						
8	119126-001		1					Knob, Focus	7812208						
9	119127-001		1					Plate, Top	7812172						
10	119128-001		1					Block, Bearing, Front	7812173						
11	119130-001		1					Block, Bearing, Rear	7812179						
12	119131-001		1					Stop, Locating, Front To Rear	7812185						
13	119132-001		1					Bushing, Threaded, Slide Ass'y	7812190						
14	119133-001		1					Bushing, Locking, Slide Ass'y	7812191						
15	119134-001		1					Crank, Clamp, Toggle Ass'y	7812174						
16	119135-001		1					Handle, Crank, Toggle Ass'y	7812176						
17	119136-001		1					Yoke, Crank, Dual Toggle Ass'y	7812178						
18	119207-001		1					Toggle Link, Outer End	7812188						

THESE DRAWINGS AND SPECIFICATIONS / THE PROPERTY OF CHRISTIE ELECTRIC CO AND SHALL NOT BE REPRODUCED OR COPIED OR USED AS THE BASIS FOR THE MANUFACTURE, PROCUREMENT OR SALE OF APPARATUS WITHOUT PERMISSION.

REV	ECO	B	22295	POSTED	MAT. ISSUED
A				BY	DATE



LENS MOUNTING AND FOCUS ASSEMBLY
119239-001

REG. #	ASSEMBLY NAME	MODEL #	P35
W.O. #	LENS MOUNTING AND FOCUS ASSEMBLY	QTY	7812170
		DATE REQ'D	

ITEM NO.	PART NO.	QTY. PER ASSY	QTY. REQ.	QTY. ISSUED	QTY. SHT.	REC. SPARE PTS.	PART NAME	B-H P/N
37	598931-094	2					Sleeve Bearing	
38	598931-106	.01					Adhesive	
39	598931-142	1					Spring, Compression	
40	598931-144	1					Spring, Compression	
41	598931-153	1					Ball Plunger	
42	598931-155	1					Retaining Ring, External	
43	598931-031	4					Screw, Socket Head Cap. Hex Socket, 1/4-20 x 1.0	

REV	ECO	POSTED		MAT. ISSUED	
		BY	DATE	BY	DATE

THESE DRAWINGS AND SPECIFICATIONS / THE PROPERTY OF CHRISTIE ELECTRIC CO AND SHALL NOT BE REPRODUCED, OR COPI OR USED AS THE BASIS FOR THE MANUF TURE, PROCUREMENT OR SALE OF APPARA WITHOUT PERMISSION.

BILL OF MATERIAL

ASSEMBLY NAME: LENS MOUNTING AND FOCUS ASSEMBLY 7812170
 MODEL # P35
 QTY DATE REC'D

PART NO.	QTY. PER ASSY	QTY. REQ.	QTY. ISSUED	QTY. SHT.	REC. SPARE PTS.	PART NAME	B-H P/N
119208-001	1					Toggle Link, Inner End	7812189
598931-007	8					Screw, Button Head, Hex Socket, 10-32 x 3/4	
598931-010	1					Allenut 1/4-20	
598931-013	2					Dowel Pin, 1/8 Dia x 3/8, Standard Hardened	
598931-014	2					Dowel Pin, 3/16 Dia x 1-1/2, Std.Hardened	
598931-015	2					Dowel Pin, 3/32 Dia x 3/8, Std Hardened	
598951-017	4					Dowel Pin, 1/8 Dia x 1/2	
598931-018	1					Dowel Pin, 1/8 Dia x 5/8	
598931-019	6					Dowel Pin, 1/8 Dia x 3/4	
598931-020	3					Dowel Pin, 1/4 Dia x 1.0	
598931-032	4					Screw, Socket Head, Hex Socket, 1/4-20 x 1-1/4	
598931-042	4					Screw, Socket Head, Hex Socket, 6-32 x 1/2	
598931-044	1					Screw, Socket Head, Hex Socket, 8-32 x 1/2	
598931-046	4					Screw, socket Head, Hex Socket, 8-32 x 3/4	
598931-056	2					Washer, Curved	
598931-062	1					Spacer, Shaft	
598931-092	6					Sleeve Bearing	
598931-093	4					Sleeve Bearing	

THESE DRAWINGS AND SPECIFICATIONS ARE THE PROPERTY OF CHRISTIE ELECTRIC CORP. AND SHALL NOT BE REPRODUCED, OR COPIED, OR USED AS THE BASIS FOR MANUFACTURE, PROCUREMENT OR SALE WITHOUT PERMISSION.

ECO	POSTED	MAT. ISSUED
	BY	DATE

7812249

MODEL # P35

MOTOR ASSEMBLY 50 Hz.

DATE REQ'D

W.O. #

PART NO.

QTY. PER ASS'Y

QTY. REQ.

QTY. ISSUED

QTY. SHIP.

REG. SPARE PIS.

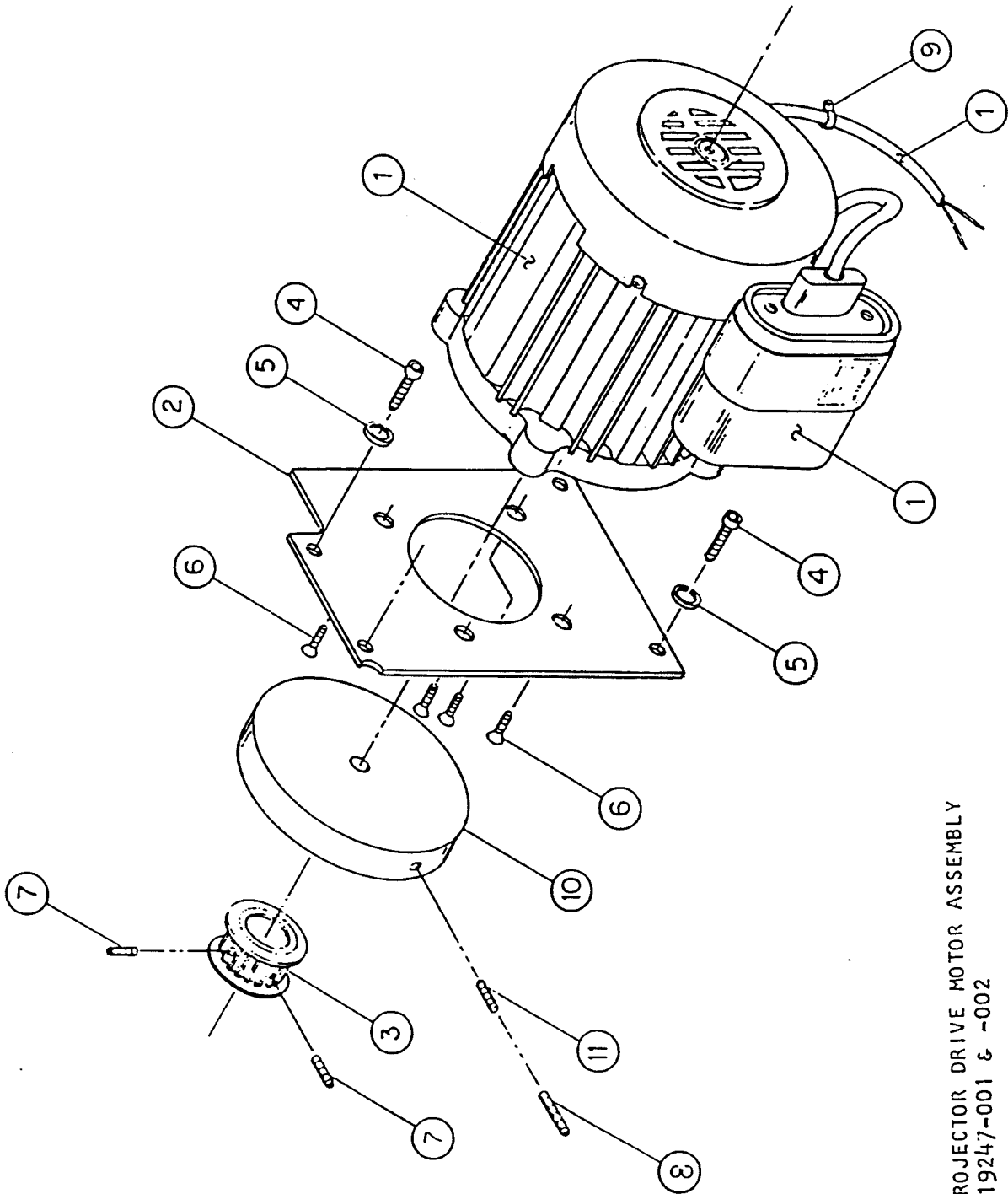
PART NAME

B-H P/N

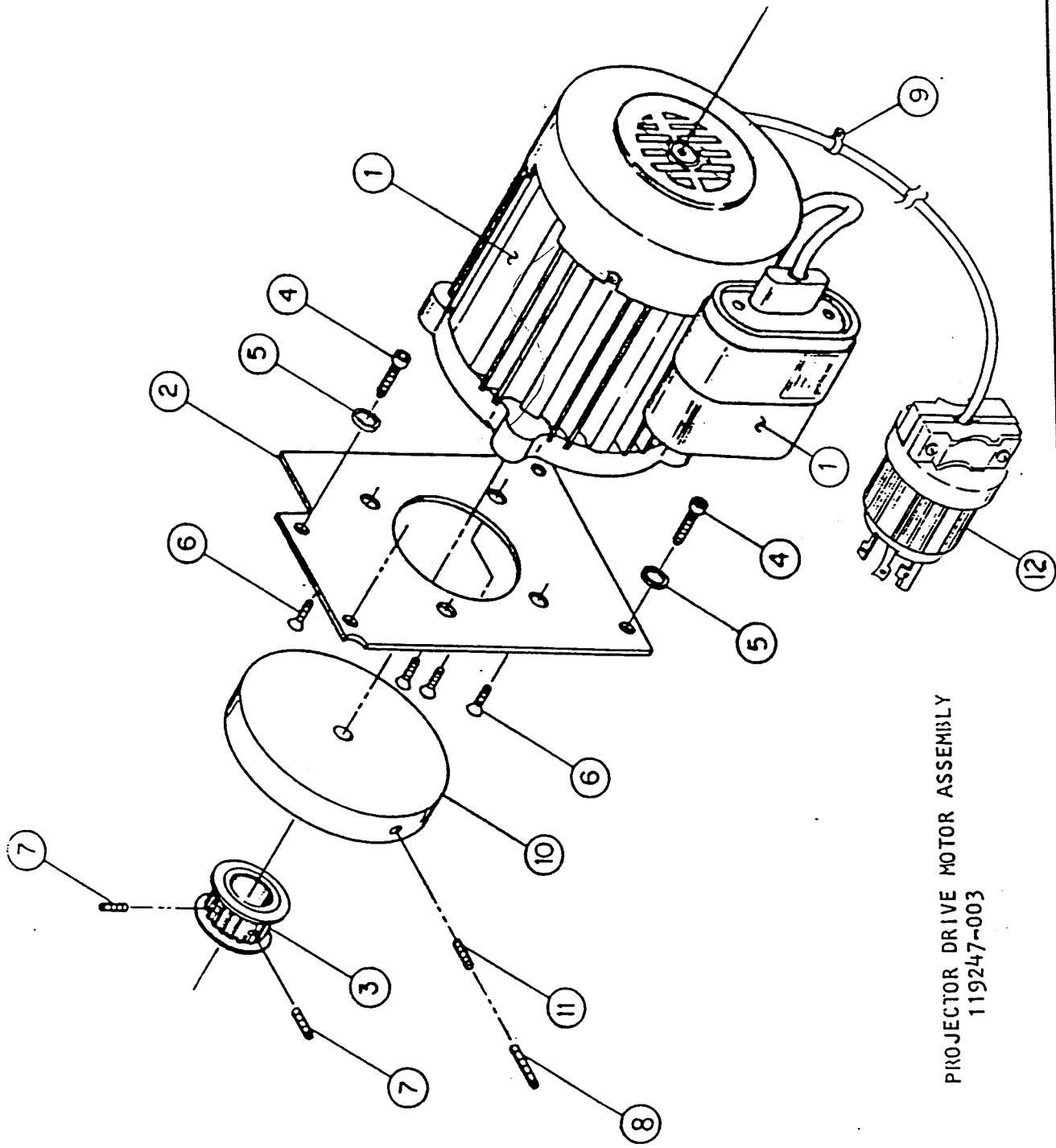
ITEM NO.	PART NO.	QTY. PER ASS'Y	QTY. REQ.	QTY. ISSUED	QTY. SHIP.	REG. SPARE PIS.	PART NAME	B-H P/N
1	528100-010	1					Motor Assembly	
2	119293-002	1					Plate, Motor	7812433
3	119976-001	1					Pulley, Modified, 29 tooth	7812332
4	598931-030	4					Screw, Mach, Socket Head Cap, Hex Socket, 1/-20x3/4	
5	598931-086	4					Washer, Split Lock, #1/4	
6	598931-385	4					Screw, Mach, Flat Head, Hex Socket, 1/4-20x1/2	
7	598931-025	2					Screw, Set, Hex Socket, 10-32 x 1/4, Cup Point	
8	598931-422	1					Screw, Set, Hex Socket, 1/4-20 x 3/8, Cup Pt.	
9	598931-006	1					Tie Wrap, with #10 mounting	
10	520294-001	1					Flywheel, Motor	7812251
11	598931-421	1					Screw, Set, Hex Socket, 1/4-20 x 1/4, Cup Point	

THESE DRAWINGS AND SPECIFICATIONS ARE THE PROPERTY OF CHRISTIE ELECTRIC CO. AND SHALL NOT BE REPRODUCED, OR COPIED, OR USED AS A BASIS FOR THE MANUFACTURE, PROCUREMENT OR SALE OF APPARATUS WITHOUT PERMISSION.

REV	ECO	POSTED	MAT. ISSUED
		UY	UY
		DATE	DATE



PROJECTOR DRIVE MOTOR ASSEMBLY
 119247-001 & -002



PROJECTOR DRIVE MOTOR ASSEMBLY
119247-003

BILL OF MATERIAL

ASSEMBLY NAME: MOTOR ASSEMBLY 60 Hz. MODEL # P35
 QTY: 7812249 DATE REQ'D

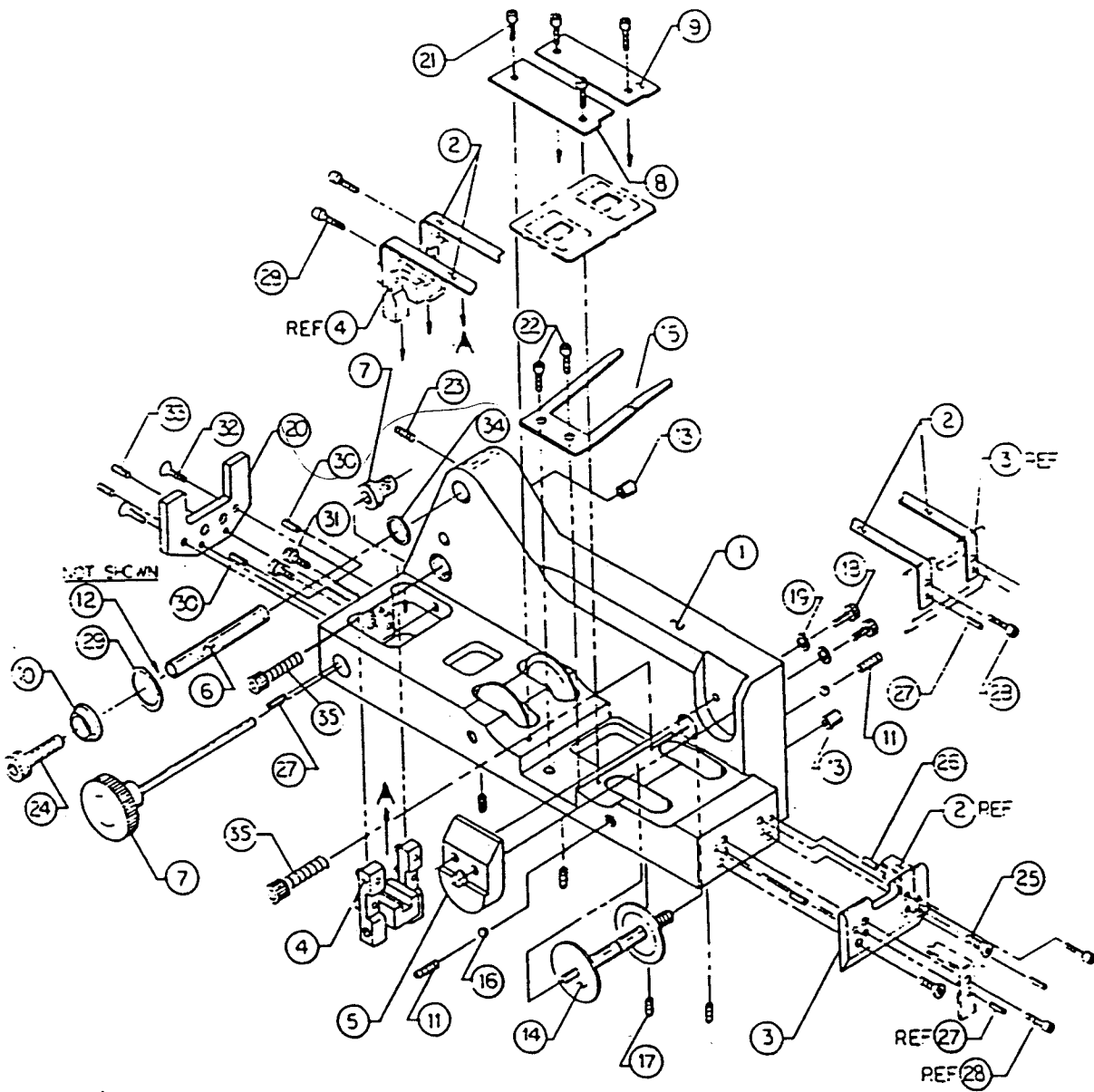
QTY. PER ASS'Y	QTY. REQ.	QTY. ISSUED	QTY. SHI.	REC. SPARE PTS.	PART NAME	B-H P/N
1					Motor Assembly	
1					Plate, Motor	7812433
1					Pulley, Modified, 24 tooth	7812422
4					Screw, Mach, Socket Head Cap, Hex Socket, 1/-20x3/4	
4					Washer, Split Lock, #1/4	
4					Screw, Mach, Flat Head, Hex Socket, 1/4-20x1/2	
2					Screw, Set, Hex Socket, 10-32 x 1/4, Cup Point	
1					Screw, Set, Hex Socket, 1/4-20 x 3/8, Cup Pt.	
1					Tie Wrap, with #10 mounting	
1					Elywheel, Motor	7812251
1					Screw, Set, Hex Socket, 1/4-20 x 1/4, Cup Point	

ECO _____

POSTED _____ MAT. ISSUED _____

BY _____ DATE _____

THESE DRAWINGS AND SPECIFICATIONS ARE THE PROPERTY OF CHRISTIE ELECTRIC CORP. AND SHALL NOT BE REPRODUCED, COPIED, OR USED AS THE BASIS FOR MANUFACTURE, PROCUREMENT OR SALE WITHOUT PERMISSION.



CURVED TRAP AND GATE, MANUAL
 120649-001

MODEL # P35

ASSEMBLY NAME

MOTOR ASSEMBLY 60 Hz. AMC

DATE REQ'D

7812249

QTY

QTY. PER ASSY	QTY. REQ.	QTY. ISSUED	QTY. SHT.	REC. SPARE PIS.	PART NAME	B-H P/N
1					Motor Assembly	
1					Plate, Motor	7812433
1					Pulley, Modified, 24 tooth	7812422
4					Screw, Mach, Socket Head Cap Hex Socket, 1/-20x3/4	
4					Washer, Split Lock, #1/4	
4					Screw, Mach, Flat Head, Hex Socket, 1/4-20x1/2	
2					Screw, Set, Hex Socket, 10-32 x 1/4, Cup Point	
1					Screw, Set, Hex Socket, 1/4-20 x 3/8, Cup Pt.	
1					Tie Wrap, with #10 mounting	
1					Flywheel, Motor	7812251
1					Screw, Set, Hex Socket, 1/4-20 x 1/4, Cup Point	
1					Plug, AC	

THESE DRAWINGS AND SPECIFICATIONS ARE THE PROPERTY OF CHRISTIE ELECTRIC CORP. AND SHALL NOT BE REPRODUCED, OR COPIED, OR USED AS THE BASIS FOR MANUFACTURE, PROCUREMENT OR SALE, WITHOUT PERMISSION.

MAT. ISSUED BY DATE

POSTED

Y

ECO

REG. #	W.O. #	ITEM NO.	PART NO.	QTY. PER ASSY	QTY. REQ.	QTY. ISSUED	QTY. SHT.	REC. SPARE PIS.	PART NAME	B-H P/N
		1	120658-001	1					Housing, Trap	7812481
		2	120660-001	2					Band	7812483
		3	120661-001	1					Plate, Band Connecting, Lower End	7812484
		4	120662-001	1					Assembly, Band Connecting, Upper End	7812485
		5	120663-001	1					Plate, Catch	7812486
		6	120666-001	1					Shaft, Gate	7812489
		7	120667-001	1					Assembly, Tensioning, Band	7812490
		8	120668-001	1					Plate, Aperture Positioning	7812491-1
		9	120668-002	1					Plate, Aperture Positioning	7812491-2
		10	120670-001	1					Cap, Shaft, Gate	7812494
		11	120158-001	4					Point, Mounting, Lateral Guide Roller	7812439
		12	121224-001	1					Assembly gate	7812501
		13	119094-001	2					Bushing, Locating, Trap	7812202
		14	598931-257	2					Roller, Lateral Guide	7812301
		15	119100-001	1					Spring, Aperture Locating	
		16	598931-277	4					Jewel, Spherical, Ruby 3/32 Dia	
		17	598931-258	4					Screw, Set, Hex Socket, Brass Tipped 4-40 x 1/8	
		18	598931-042	2					S.H.C.S., 6-32 x 1/2	

REV	ECO	B	22246	POSTED	MAT. ISSUED
A	20892			BY	DATE

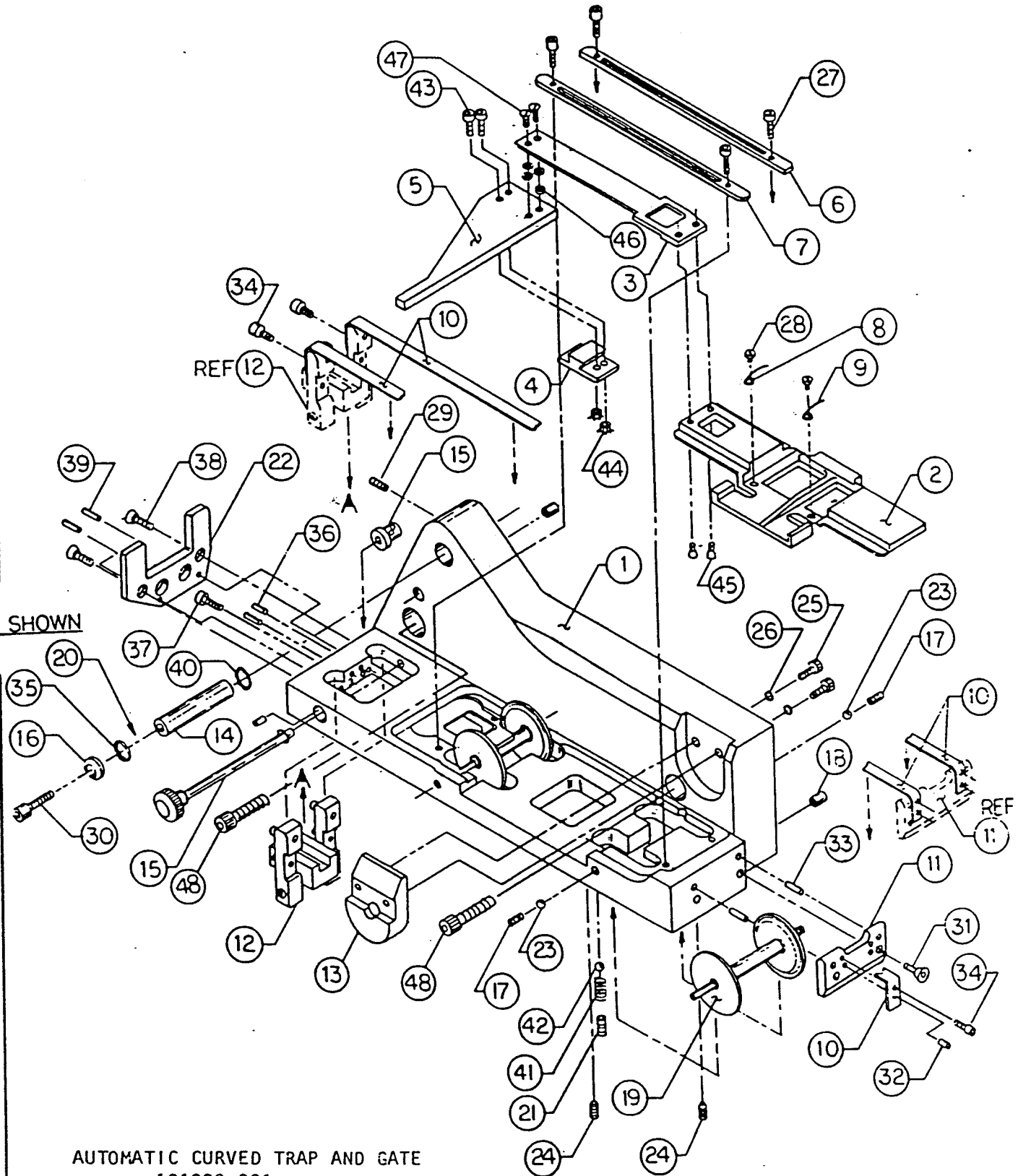
THESE DRAWINGS AND SPECIFICATIONS ARE THE PROPERTY OF CHRISTIE ELECTRIC CO. AND SHALL NOT BE REPRODUCED OR COPIED OR USED AS THE BASIS FOR THE MANUFACTURE, PROCUREMENT OR SALE OF APPARATUS WITHOUT PERMISSION.

ASSEMBLY NAME		CURVED TRAP AND GATE, MANUAL		MODEL # P-35 ULTRA			
		7812480		QTY	DATE REQ'D		
PART NO.	QTY. PER ASSY	QTY. REQ.	QTY. ISSUED	QTY. SHI.	REC. SPARE PTS.	PART NAME	B-H P/N
598931-083	2					Washer, Split Lock	
121225-001	1					Guide, Film Threading	7812509
598931-038	4					S.H.C.S., 4-40 x 1/4	
121277-001	2					Screw, P.H., Phillips, 4-40 x 1/4 (modified)	7812168
598931-280	1					Screw, Set, Hex head Socket, 10-32 x 3/8	
598931-044	1					S.H.C.S., 8-32 x 1/2	
598931-408	2					F.H.C.S., 6-32 x 1/4	
598931-282	2					Dowel Pin, 3/32 x 5/16	
598931-283	3					Spring Pin, 1/16 x 1/4	
598931-403	4					Screw, Socket Head Cap, Hex Socket, 2-56 x 3/16	
598931-318	1					Washer, Wave Spring	
598931-404	2					Dowel Pin, 1/8 x 1/4	
598931-405	2					S.H.C.S., 4-40 x 1/2	
598931-407	2					F.H.C.S., 4-40 x 3/8	
598931-017	2					Dowel Pin, 1/8 x 1/2	
598931-428	AR					Precision Shaft Shim, .008" Thick	Allied Devices DB1203
598931-031	2					Screw, Socket Head Cap, Hex Socket, 1/4-20x1.0	

THESE DRAWINGS AND SPECIFICATIONS ARE THE PROPERTY OF CHRISTIE ELECTRIC CORP. AND SHALL NOT BE REPRODUCED, COPIED, OR USED AS THE BASIS FOR THE MANUFACTURE, PROCUREMENT OR SALE OF APPARATUS WITHOUT PERMISSION.

ECO	POSTED	MAT. ISSUED
	BY	DATE

Level	Dir	Part No	Description	Usage:Gross	Extended
2	0480	598931-283	SPRING PIN 1/16X1/4"	EA 3.000	3.000
2	0490	598931-303	BALL .125DIA	EA 1.000	1.000
2	0500	598931-304	SPRING, COMPRESSION	EA 1.000	1.000
2	0510	598931-318	WASHER, CURVED SPRG	EA 2.000	2.000
2	0530	598931-403	SCR, SHC, 2-56X3/16	EA 4.000	4.000
2	0540	598931-404	PIN, DOWEL, 1/8X1/4	EA 2.000	2.000
2	0550	598931-405	SCR, SHC 4-40 X 1/2	EA 2.000	2.000
2	0560	598931-406	SCR, FL HD, 4-40X1/2	EA 2.000	2.000
2	0570	598931-407	SCR, FH, 82, 4-40X3/8	EA 2.000	2.000
2	0590	598931-408	SCR, FH, 82, 6-32X1/4	EA 2.000	2.000
2	0600	598931-428	SHAFT SHIM .008	EA 2.000	2.000
2	0610	598931-488	DRILL BUSHING 1/8	EA 2.000	2.000



AUTOMATIC CURVED TRAP AND GATE
121020-001

Level	Dir	Part No	Description	Usage:	Gross	Extended
0280	121225-001	GUIDE FILM THREAD.	EA	1.000	1.000	
0290	121277-001	SCR.PH.PHIL 4-40	EA	2.000	2.000	
0300	121278-001	SCR.SET 10-32X3/16	EA	1.000	1.000	
0310	121279-001	SCR.FH.HS.4-40X.20	EA	2.000	2.000	
0320	515819-008	#4 FLAT WASHER	EA	4.000	4.000	
0330	598931-017	DOWEL PIN 1/8	EA	2.000	2.000	
0340	598931-031	SCR, SHC 1/4-20X1	EA	2.000	2.000	
0360	598931-038	SCR, SHC 4-40x1/4"	EA	4.000	4.000	
0370	598931-039	SCR, SHC 4-40x3/8"	EA	2.000	2.000	
0380	598931-042	SCR, SHC 6-32x1/2"	EA	2.000	2.000	
0400	598931-044	SCR, SHC 8-32X1/2	EA	1.000	1.000	
0410	598931-075	HEX NUT SLFLK	EA	2.000	2.000	
0420	598931-083	WASHR SPLIT#6	EA	2.000	2.000	
0430	598931-257	GUIDE ROLLER CURVED TRAP & G	EA	2.000	2.000	
0440	598931-258	SET SCR,HEX4-40X1/8	EA	4.000	4.000	
0450	598931-277	BALL,SPHERICL JEWEL FOR TRUP	EA	4.000	4.000	
0460	598931-280	SET SCR,HEX10-32X	EA	1.000	1.000	
0470	598931-282	DOWEL PIN 3/32X1/4	EA	2.000	2.000	
0480	598931-283	SPRING PIN 1/16X1/4"	EA	3.000	3.000	

EXPLOD TR N ID 121020-001 MORE TO FOLLOW

Data Trans 960515 *** Bill of Material Explosion/Implosion ***

Lev 01 TRAP&GATE AUTO CUR

Level	Dir	Part No	Description	Qty	Usage:Gross	Extended	0019
2	0010	120158-001	MTG POINTS,LAT HOLDS RUBY BA	EA	4.000	4.000	4.000
2	0020	120660-001	BAND FOR TRAP & GATE	EA	2.000	2.000	2.000
2	0030	120661-001	PLATE,BAND CONN,LOWER	EA	1.000	1.000	1.000
2	0040	120662-001	UPPER END BAND CONN, FOR AUTO	EA	1.000	1.000	1.000
2	0050	120663-001	PLATE,CATCH	EA	1.000	1.000	1.000
2	0060	120666-001	SHAFT,GATE	EA	1.000	1.000	1.000
2	0070	120667-001	BAND TENSIONING	EA	1.000	1.000	1.000
2	0080	120670-001	CAP,SHAFT,GATE	EA	1.000	1.000	1.000
2	0100	121119-001	HANDLE	EA	1.000	1.000	1.000
2	0120	121152-001	HSG.TRAP.AUTOMATIC	EA	1.000	1.000	1.000
2	0140	121153-001	AUTOMATIC APETURE CARRIER	EA	1.000	1.000	1.000
2	0160	121154-001	LINK.CON.AUTO APT.	EA	1.000	1.000	1.000
2	0180	121155-001	DOVETAIL	EA	1.000	1.000	1.000
2	0200	121158-001	RAIL GUIDE,INNER	EA	1.000	1.000	1.000
2	0220	121159-001	RAIL GUIDE,OUTER	EA	1.000	1.000	1.000
2	0240	121161-001	SPRING,UPPER POS.APRT	EA	1.000	1.000	1.000
2	0260	121162-001	SPRING,LOWER POS.APRT	EA	1.000	1.000	1.000
2	0270	121224-001	GATE ASSEMBLY	EA	1.000	1.000	1.000
2	0280	121225-001	GUIDE FILM THREAD.	EA	1.000	1.000	1.000

MODEL # P35
 QTY DATE REQ'D
 ASSEMBLY NAME AUTOMATIC CURVED TRAP AND GATE 7812450

ITEM NO.	PART NO.	QTY. PER ASS'Y	QTY. REQ.	QTY. ISSUED	QTY. SHIP.	REC. SPARE P.TS.	PART NAME	B-H P/N
19	598931-257	2					Roller, Lateral Guide	7812301
20	121224-001	1					Gate Assembly	7812501
21	121278-001	1					Screw, Set, Slotted, 10-32 x 3/16 (Modified)	7812507
22	121225-001	1					Guide, Film Threading	7812509
23	598931-277	4					Jewel, Spherical, Ruby, 3/32 Dia	
24	598931-258	4					Screw, Set, Brass Tipped, Hex Socket 4-40 x 1/8	
25	598931-042	2					Screw, Socket Head Cap, Hex Socket 6-32 x 1/2	
26	598931-083	2					Washer, Split Lock, #6	
27	598931-038	4					Screw, Socket Head, Hex Socket, 4-40 x 1/4	
28	121277-001	2					Screw, Pan Head, Phil., 4-40 x 1/4 (Modified)	7812168
29	598931-280	1					Screw, Set, Hex Socket, 10-32 x 3/8	
30	598931-044	1					Screw, Socket Head, Hex Socket, 8-32 x 1/2	
31	598931-408	2					Screw, Flat Head, Hex Socket, 82D, 6-32 x 1/4	
32	598931-283	3					Pin, Spring, 1/16 x 1/4	
33	598931-282	2					Pin, Dowel, 3/32 x 5/16	
34	598931-403	4					Screw, Socket Head Cap, Hex Socket, 2-56 x 3/16	
35	598931-318	2					Washer, Wave Spring	
36	598931-404	2					Pin, Dowel, 1/8 x 1/4	

REV	ECO	POSTED	MAT. ISSUED
		BY	BY
		DATE	DATE

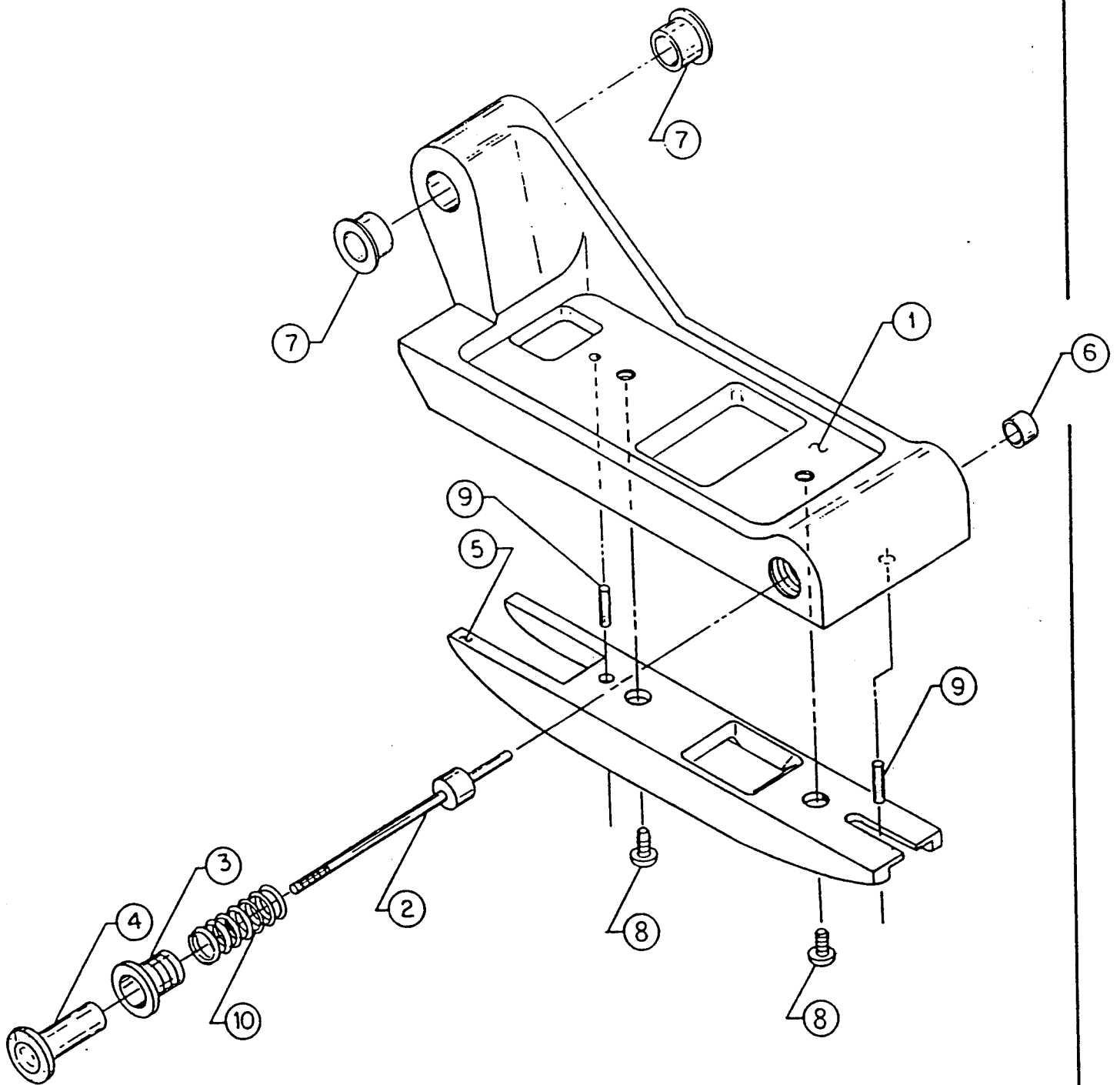
THESE DRAWINGS AND SPECIFICATIONS ARE THE PROPERTY OF CHRISTIE ELECTRIC CO AND SHALL NOT BE REPRODUCED OR COPIED OR USED AS THE BASIS FOR THE MANUFACTURE, PROCUREMENT OR SALE OF APPARATUS WITHOUT PERMISSION.

BILL OF MATERIAL

ASSEMBLY NAME		AUTOMATIC CURVED TRAP AND GATE		MODEL # P-35 ULTRA		DATE REQ'D		
G. #		7812450		QTY		DATE REQ'D		
EM O.	PART NO.	QTY. PER ASS'Y	QTY. REQ.	QTY. ISSUED	QTY. SHI.	REC. SPARE PTS.	PART NAME	B-H P/N
	121152-001	1					Housing, Trap	7812451
	121153-001	1					Carrier	7812452
	121154-001	1					Link	7812453
	121155-001	1					Dovetail	7812455
	121119-001	1					Handle	7812458
	121158-001	1					Rail, Guide, Inner	7812459
	121159-001	1					Rail, Guide, Outer	7812460
	121161-001	1					Spring, Upper, Positioning, Aperture	7812468
	121162-001	1					Spring, Lower, " "	7812469
	120660-001	2					Band	7812483
	120661-001	1					Plate, Band, Connecting, Lower End	7812484
	120662-001	1					Ass'y., Band Connecting, Upper End	7812485
	120663-001	1					Plate, Catch	7812486
	120666-001	1					Shaft, Gate	7812489
	120667-001	1					Band Tensioning Assembly	7812490
	120670-001	1					Cap, Shaft, Gate	7812494
	120158-001	4					Points, Mtg., Lateral Guide Roller	7812439
	119094-001	2					Bushing, Locating, Trap	7812202

THESE DRAWINGS AND SPECIFICATIONS ARE THE PROPERTY OF CHRISTIE ELECTRIC CORP. AND SHALL NOT BE REPRODUCED, OR COPIED, OR USED AS THE BASIS FOR FABRICATION, REPAIR, OR MAINTENANCE OF ANY APPARATUS WITHOUT PERMISSION.

BY	ECO	C	22242	POSTED	MAT. ISSUED	
					BY	DATE



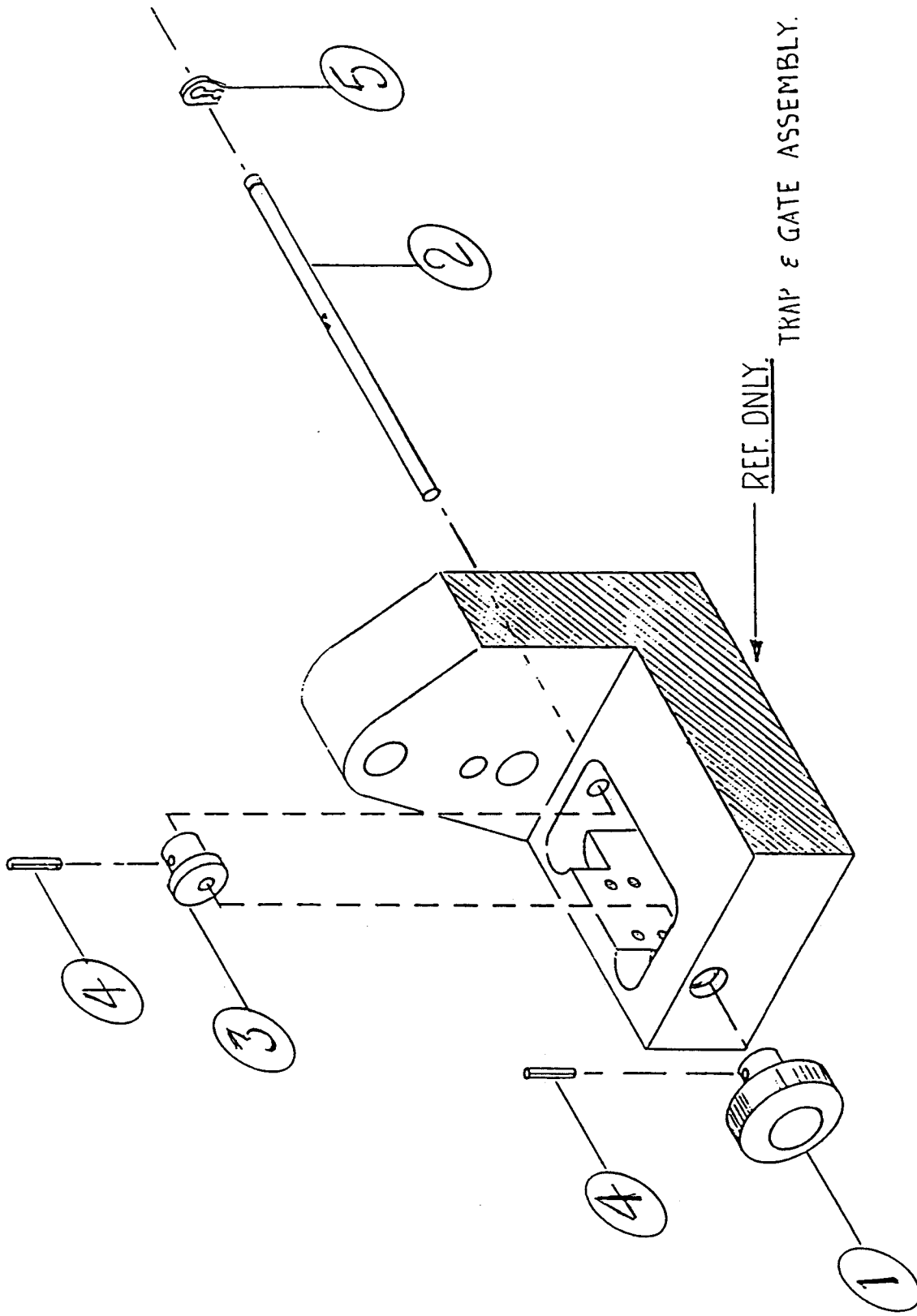
GATE ASSEMBLY
121224-001

ASSEMBLY NAME AUTOMATIC CURVED TRAP AND GATE 7812450 MODEL # P35 DATE REQ'D

QTY. PER ASSY	QTY. REQ.	QTY. ISSUED	QTY. SHIP.	REC. SPARE PIS.	PART NAME	B-H P/N
2					Screw, Socket Head Cap, Hex Head, 4-40 x 1/2	
2					Screw, Flat Head, 82D, Phil. 4-40 x 3/8	
2					Pin, Dowel, 1/8 x 1/2	
AR					Precision Shaft Shim, .008" Thick	Allied Devices DB12D3
1					Spring, Compression	
1					Ball, Hardened Steel, 1/8 Dia	
2					Screw, Socket Head Cap, Hex Head, 4-40 x 3/8	
2					Nut, Self Locking, Hex, 4-40 UNC.	
2					Screw, Flat Head, 82D, Hex Socket, 4-40 x 1/4 (Modified)	7812456
4					Washer, Plain Flat, #4	
2					Screw, Flat Head, 82D, Phil. 4-40 x 1/4	
2					Screw, Socket Head Cap, Hex Socket, 1/4-20x1.0	

ECO	POSTED	MAT. ISSUED
	BY	DATE

THESE DRAWINGS AND SPECIFICATIONS ARE THE PROPERTY OF CHRISTIE ELECTRIC CORP. AND SHALL NOT BE REPRODUCED, COPIED, OR USED AS THE BASIS FOR THE MANUFACTURE, PROCUREMENT OR SALE OF APPARATUS WITHOUT PERMISSION.



REF. ONLY

TRAP & GATE ASSEMBLY.

BAND TENSIONING ASSEMBLY

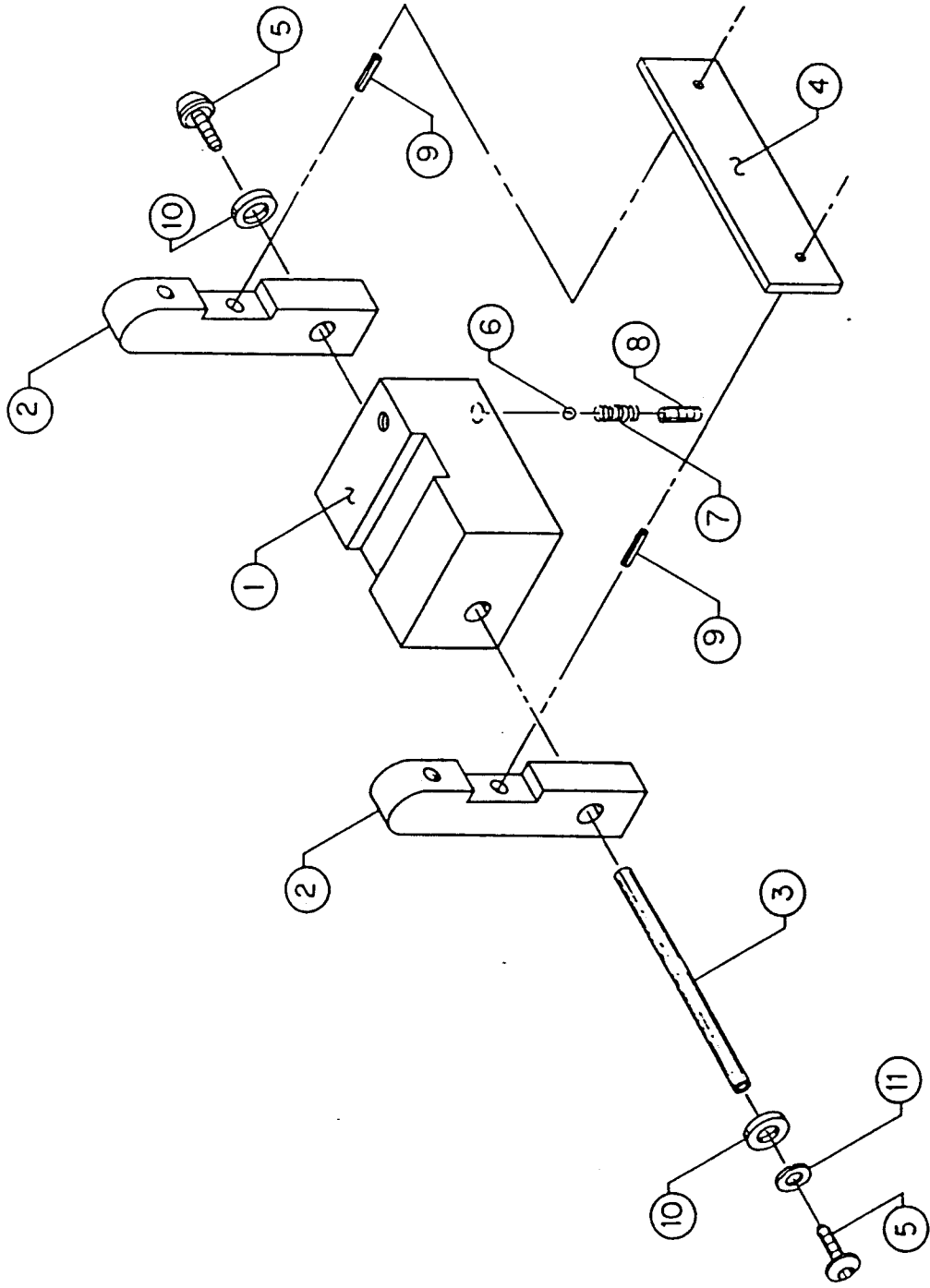
120667-001

ASSEMBLY NAME		GATE ASSEMBLY		7812501	
MODEL # P35		QTY		DATE REQ'D	

EM O.	PART NO.	QTY. PER ASSY	QTY. REQ.	QTY. ISSUED	QTY. SHIP.	REC. SPARE PIS.	PART NAME	B-H P/N
	120659-001	1					House Gate	7812482
	120664-001	1					Pin, Catch	7812487
	120665-001	1					Bushing, Threaded, Catch	7812488
	120669-001	1					Knob, Catch	7812492
	120671-001	1					Shoe, Curved Trap & Gate	7812505
	120672-001	1					Bushing, Support, Pin, Gate	7812506
	598931-090	2					Bearing, Sleeved, Flanged	
	598931-278	2					Screw, Button Head, Hex Socket, 6-32 x 1/4	
	598931-016	2					Pin, Dowel, 1/8Dia x 3/8 LG.	
	598931-279	1					Spring, Compression	

ECO	22248	POSTED	MAT. ISSUED
		BY	DATE

THESE DRAWINGS AND SPECIFICATIONS ARE THE PROPERTY OF CHRISTIE ELECTRIC CORP. AND SHALL NOT BE REPRODUCED OR COPIED, OR USED AS THE BASIS FOR THE MANUFACTURE, PROCUREMENT OR SALE OF MATERIALS WITHOUT PERMISSION.



UPPER END BAND CONNECTING ASSEMBLY
120662-001

ASSEMBLY NAME			BAND TENSIONING ASSEMBLY			7812490				
ITEM NO.	PART NO.	QTY. PER ASSY	QTY. REQ.	QTY. ISSUED	QTY. SHIP.	REC. SPARE PTS.	PART NAME	B-H P/N	MODEL # P-35 ULTRA	
									QTY	DATE REQ'D
	120673-001	1					Knob	7812493		
	120674-001	1					Shaft	7812499		
	120675-001	1					Eccentric	7812504		
	598931-306	2					Spring Pin, 1/16 x 5/16		Rexnord 19-062-0312	
	598931-307	1					Retaining Ring(copper)		Waldes Truarc 5100-15-C	

THESE DRAWINGS AND SPECIFICATIONS ARE THE PROPERTY OF CHRISTIE ELECTRIC CORP. AND SHALL NOT BE REPRODUCED, COPIED, OR USED AS THE BASIS FOR MANUFACTURE, PROCUREMENT OR SALE WITHOUT PERMISSION.

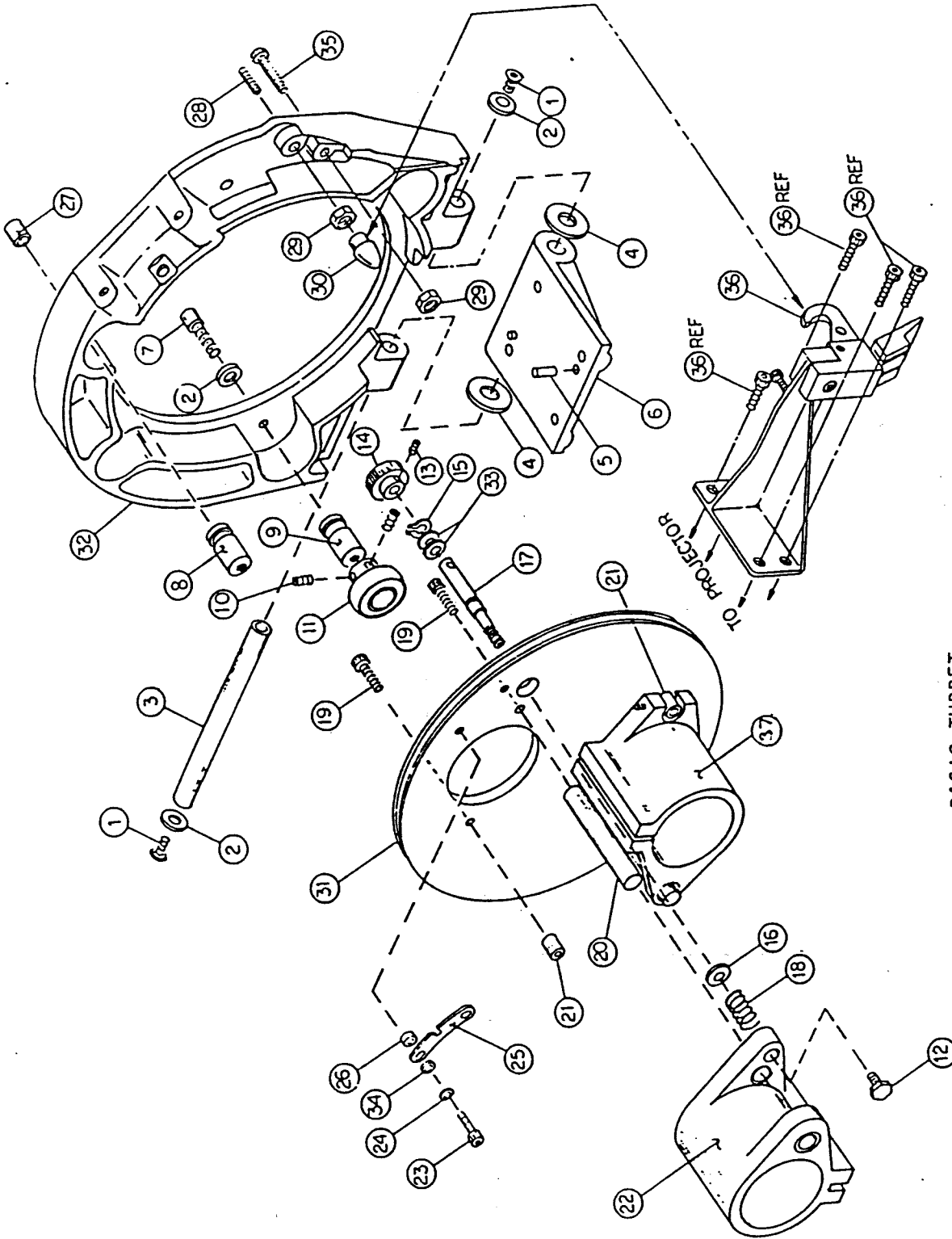
REV ECO 2009

BY E

DATE

POSTED

MAT. ISSUED



BASIC TURRET
 121023-001

ASSEMBLY NAME		UPPER END BAND CONNECTING ASSEMBLY		7812485	
MODEL #	P-35	ULTRA	QTY	DATE REQ'D	

ITEM NO.	PART NO.	QTY. PER ASSY	QTY. REQ.	QTY. ISSUED	QTY. SHIP.	REC. SPARE PTS.	PART NAME	B-H P/N
	120676-001	1					Block	7812495
	120677-001	2					Arm	7812496
	120678-001	1					Shaft	7812497
	120679-001	1					Spring, Blade	7812498
	598931-278	2					Screw, Button Head Socket, 6-31 x 1/4	
	598931-303	1					Ball, Hardened Steel, .125 Dia	
	598931-304	1					Spring, Compression	
	598931-023	1					Screw, Set, Hex Socket, 8-32 x 3/16	
	515380-041	2					Spring Pin, 1/16 Dia x 3/8	
0	598931-338	2					Spacer, Precision	
1	598931-339	1					Washer, Spring Waye	

REV	ECO	POSTED	MAT. ISSUED
A		BY	DATE
3	22244		

THESE DRAWINGS AND SPECIFICATIONS ARE THE PROPERTY OF CHRISTIE ELECTRIC CORP. AND SHALL NOT BE REPRODUCED, COPIED, OR USED AS THE BASIS FOR THE MANUFACTURE OF APPARATUS WITHOUT PERMISSION.

BASIC TURRET

ITEM NO.	PART NO.	QTY. PER ASSY	QTY. REQ.	QTY. ISSUED	QTY. SHIP.	REC. SPARE PIS.	PART NAME	B-H P/N
19	598931-031	4					Screw, Socket Head Cap, Hex Socket, 1/4-20x1.0	7812364
20	120171-001	2					Shaft, Orientation, Lens Barrel	7812365
21	120172-001	2					Shaft, Support, Lens Barrel	7812380-1
22	120170-001	1					Lens Barrel Assembly, Turret	
23	598931-049	4					Screw, Socket Head Cap, Hex Socket, 10-32 x 5/8	
24	598931-085	4					Washer, Split Lock, #10	7812374
25	120175-001	2					Plate, Stop, Rotational Positioning	7812378
26	120176-001	4					Standoff, Stop Plate	7812444
27	120196-001	1					Bushing, for Stud Eccentric	
28	515500-105	1					Screw, Set, Hex Socket, 1/4-20 x 1-1/4	
29	598931-272	2					Nut, Jam, 1/4-20	7812379
30	120194-001	1					Nose, Latch, Turret	7812361
31	120169-001	1					Plate, Rotating, Two Lens	7812362
32	120187-001	1					Frame, Turret	
33	598931-062	4					Washer, Shaft Focus	
34	598931-076	4					Washer, Plain Flat, #10	
35	598931-435	1					Screw, Button Head, Hex Socket, 1/4-20 x 2-1/8	7812382
36	120166-001	1					Turret Closed Position Latching Assembly	
37	120170-002	1					Lens Barrel Assembly, Turret	7812380-2

THESE DRAWINGS AND SPECIFICATIONS / THE PROPERTY OF CHRISTIE ELECTRIC CO AND SHALL NOT BE REPRODUCED, OR COPIED OR USED AS THE BASIS FOR THE MANUFACTURE, PROCUREMENT OR SALE OF APPARATUS WITHOUT PERMISSION.

REV	ECO	POSTED	MAT. ISSUED
		BY	DATE

MODEL # P35
 QTY DATE REQ'D

BASIC TURRET

ASSEMBLY NAME

ITEM NO.	PART NO.	QTY. PER ASS'Y	QTY. REQ.	QTY. ISSUED	QTY. SHIP.	REC. SPARE PTS.	PART NAME	B-H P/N
1	598931-366	2					Screw, Button Head, Hex Socket, 1/4-20 x 5/8	
2	598931-373	5					Washer, Finished, Heavy Duty	
3	120189-001	1					Pin Hinge	7812371
4	120195-001	2					Washer, Thrust, Hinge	7812443
5	598931-273	2					Pin, Dowel, 3/16 x 1/2	
6	120188-001	1					Plate, Mounting, Turret	7812370
7	598931-030	3					Screw, Socket Head Cap, Hex Socket, 1/4-20x3/4	
8	120191-001	1					Stud, Roller, Eccentric	7812373
9	120190-001	2					Stud, Roller, Centered	7812372
10	598931-025	NA					Screw, Set, Hex Socket, 10-32 x 1/4 (INFO ONLY, Part of item #11)	
11	598931-267	3					Bearing, Ball, Spherical	
12	119055-001	2					Screw, Shaft End	7812117
13	598931-044	2					Screw, Socket Head Cap, Hex Socket, 8-32 x 1/2	
14	119126-001	2					Knob, Focus	7812208
15	598931-155	2					Ring, Retainer, External	
16	120174-001	2					Washer, Thrust, Focus	7812369
17	120173-001	2					Shaft, Focus	7812366
18	598931-142	2					Spring, Compression	

THESE DRAWINGS AND SPECIFICATIONS ARE THE PROPERTY OF CHRISTIE ELECTRIC CORP. AND SHALL NOT BE REPRODUCED, COPIED, OR USED AS THE BASIS FOR THE MANUFACTURE, PROCUREMENT OR SALE OF APPARATUS WITHOUT PERMISSION.

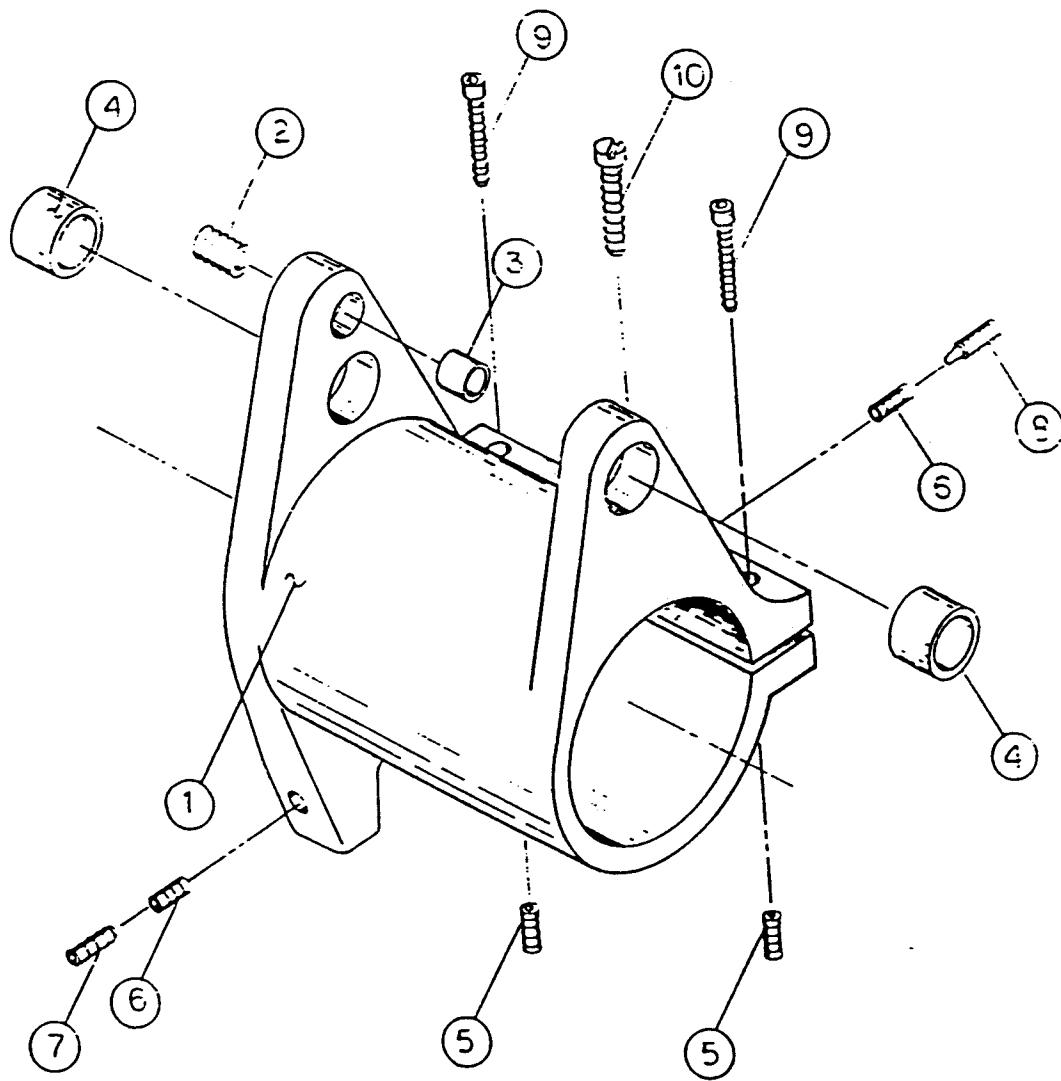
REV	ECO	B	22317	D	POSTED	MAT. ISSUED
A		C	22377		BY	DATE

ASSEMBLY NAME		TURRET LENS BARREL ASSEMBLY		7812380	
MODEL #	P35	QTY		DATE REQ'D	

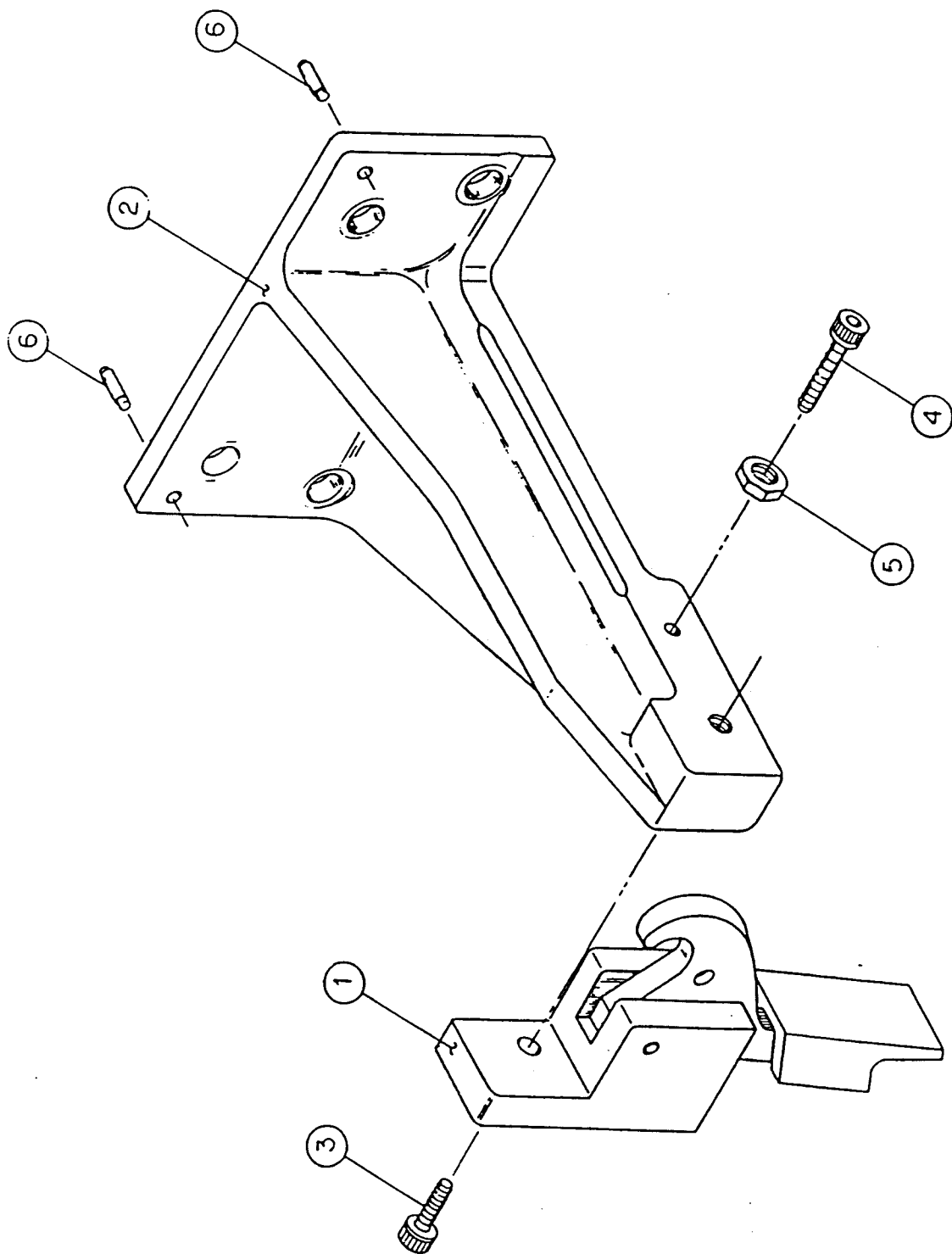
ITEM NO.	W.O. #	REG. #	PART NO.	QTY. PER ASSY	QTY. REQ.	QTY. ISSUED	QTY. SHIP.	REC. SPARE PIS.	PART NAME	B-H P/N	
1			120179-001	1					Barrel, Lens	7812363-1	
2			120180-001	1					Lock, Bushing	7812368	
3			119132-001	1					Bushing, Internal Threaded	7812190	
4			598931-263	2					Bearing, Sleeve		Bearing Se 101207
5			598931-218	2					Insert, Screw Thread, Std, 10-32 x.380		Heli-Coil 1191-3CNO3
6			598931-264	2					Insert, Screw Thread, Locking, 10-32 x.380		Heli Coil 3591-3CNO3
7			598931-265	1					Screw, Set, Hex Socket, Brass Tipped, 10-32x3/8 10-32		Lexington QC Eastene
8			598931-351	1					Plunger, Spring, Derlin Nose, w/o nylock		Vlier NNS-52
9			598931-197	2					Screw, Socket Head Cap, Hex Head, 10-32 x 1.0		Allen
10			598931-423	1					Screw, Fillister Head, Slotted, 1/4-20 x 1.0 SS		

REV	ECO	C	22377						POSTED		MAT. ISSUED
A									BY		BY
B	22259								DATE		DATE

THESE DRAWINGS AND SPECIFICATIONS ARE THE PROPERTY OF CHRISTIE ELECTRIC CO. AND SHALL NOT BE REPRODUCED, OR COPIED OR USED AS THE BASIS FOR THE MANUFACTURE, PROCUREMENT OR SALE OF APPARATUS WITHOUT PERMISSION.



TURRET LENS BARREL ASSEMBLY
120170-001
AND -002

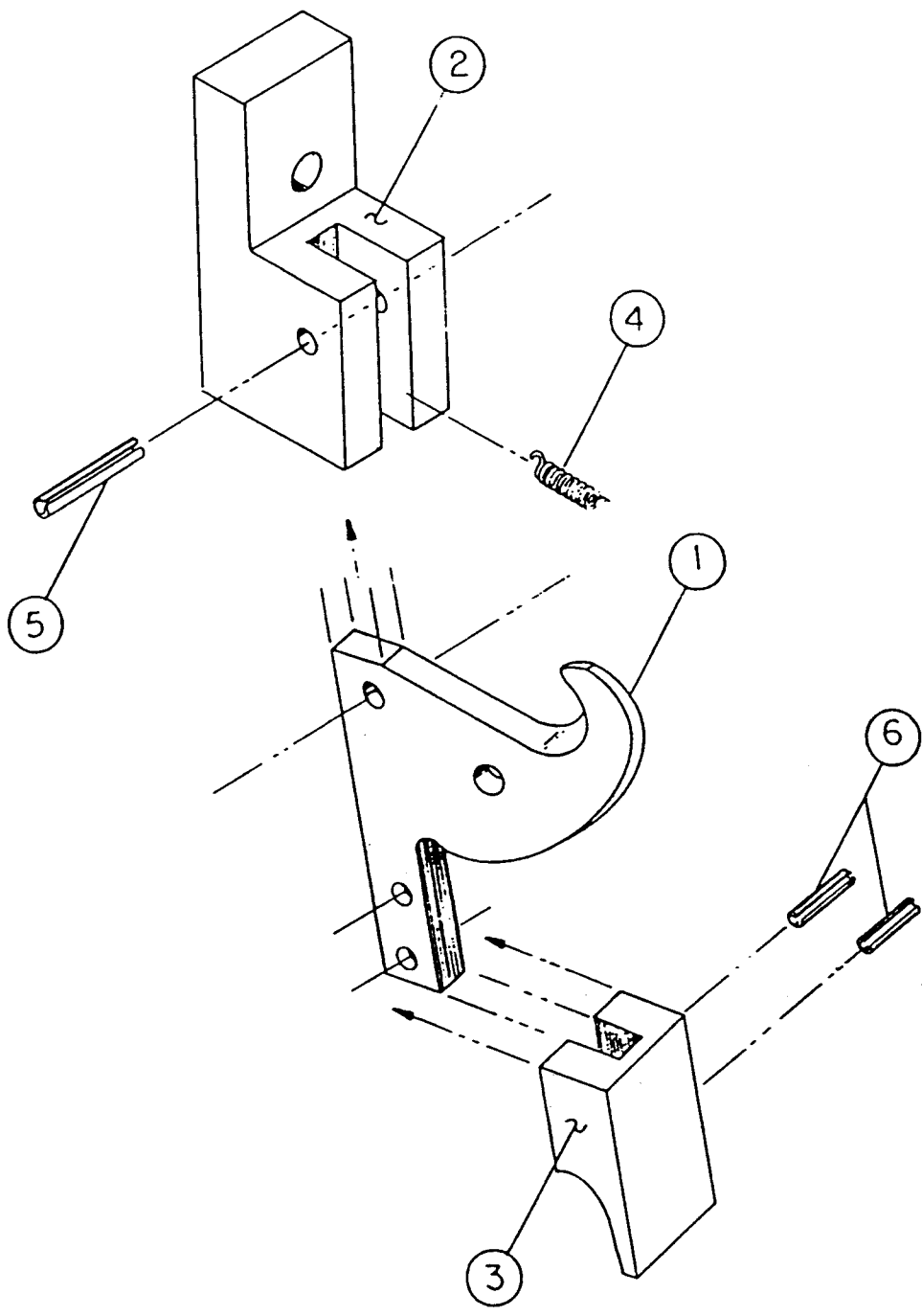


TURRET CLOSED POSITION LATCHING ASSEMBLY
120166-001

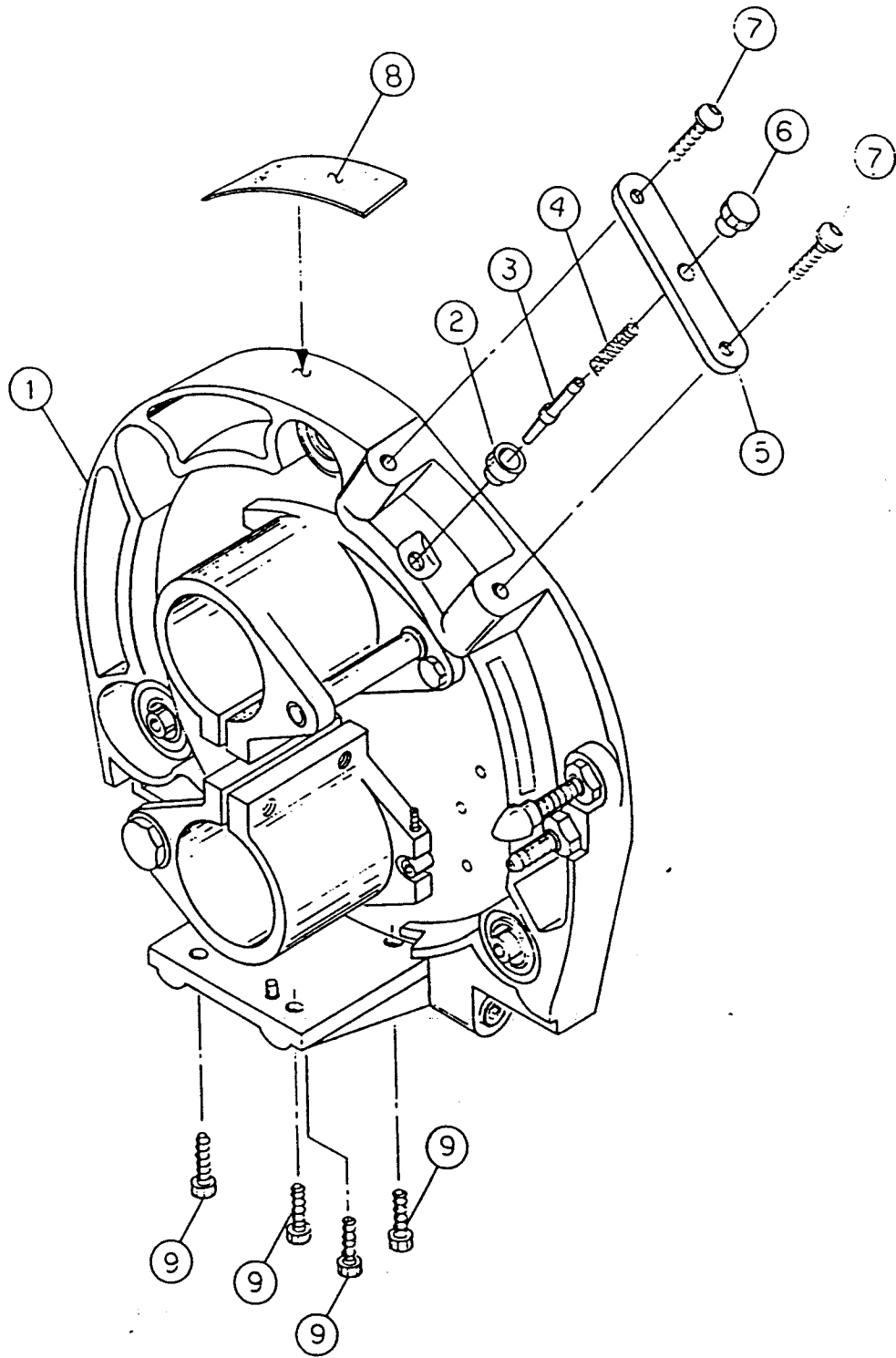
EM IO.	PART NO.	QTY. PER ASSY	QTY. REQ.	QTY. ISSUED	QTY. SHI.	REC. SPARE PTS.	PART NAME	B-H P/N
	120179-002	1					Barrel, Lens	7812363-2
	120180-001	1					Lock, Bushing	7812368
	119132-001	1					Bushing, Internal Threaded	7812190
	598931-263	2					Bearing, Sleeve	Bearing Sales 101207
	598931-218	2					Insert, Screw Thread, Std. 10-32 x .380	Helix-Coil 1191-3NC0380
	598931-264	2					Insert, Screw Thread, Locking, 10-32 x .380	Helix-Coil 3591-3NC380
	598931-265	1					Screw, Set, Hex Socket, Brass Tipped, 10-32x3/8	Lexington QC Fasteners
	598931-351	1					Plunger, Spring, Derlin Nose, w/o nylock, 10-32	Vilier NNS-52
	598931-197	2					Screw, Socket Head Cap, Hex Head, 10-32 x 1.0	Allen
	598931-423	1					Screw, Fillistre Head, Slotted, 1/4-20 x 1.0SS	

EV	ECO	B	22259	POSTED	MAT. ISSUED
A	C	22377		BY	DATE

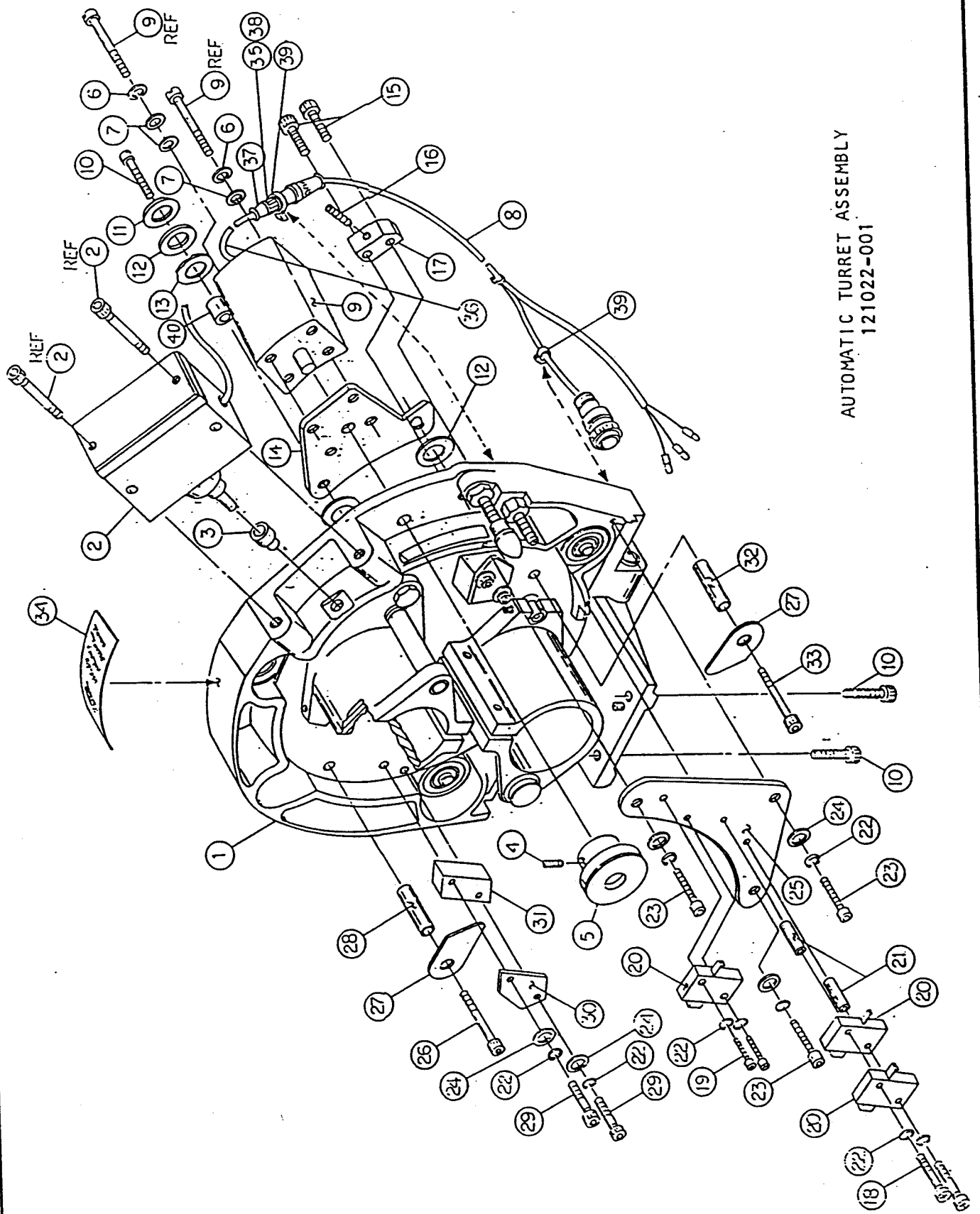
THESE DRAWINGS AND SPECIFICATIONS ARE THE PROPERTY OF CHRISTIE ELECTRIC CORP. AND SHALL NOT BE REPRODUCED OR COPIED OR USED AS THE BASIS FOR THE MANUFACTURE, PROCUREMENT OR SALE OF APPARATUS WITHOUT PERMISSION.



TURRET HOOK ASSEMBLY
120184-001



MANUAL TURRET ASSEMBLY
120168-001



AUTOMATIC TURRET ASSEMBLY
121022-001

MODEL # P35		DATE REC'D	
ASSEMBLY NAME		QTY	
MANUAL TURRET ASSEMBLY		7812360	

ITEM NO.	PART NO.	QTY. PER ASS'Y	QTY. REQ.	QTY. ISSUED	QTY. SHIP.	REC. SPARE PTS.	PART NAME	B-H P/N
1	121023-001	1					Turret Basic	
2	120197-001	1					Stop Pin, Locating Bushing	7812445
3	120192-001	1					Rotational Positioning Stop Pin	7812375
4	598931-268	1					Compression Spring	
5	120193-001	1					Stop Pin, Spring, Retaining Plate	7812377
5	598931-274	1					Stop Pin Knob	
7	598931-270	2					Screw, Mach., Button Head, Hex Sock. 1/4-20x1/2	
3	121214-001	1					Label CAUTION	
3	598931-031	4					Screw, Socket Head Cap, Hex Socket, 1/4-20x1	
	TD-514	1					Instruction Manual	

REV	ECO	B	D	22317	POSTED	MAT. ISSUED
A		C			BY	BY
					TE	DATE

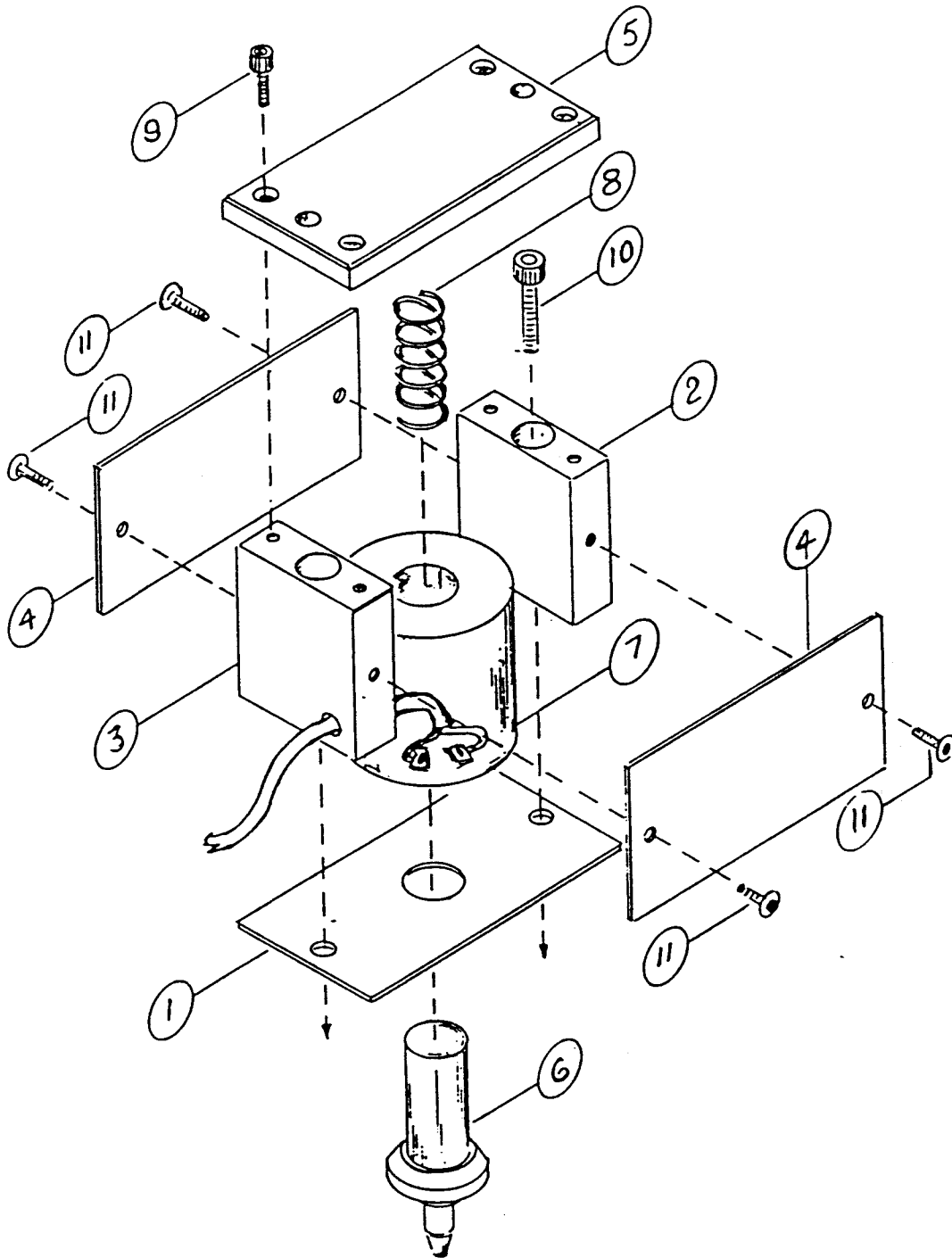
THESE DRAWINGS AND SPECIFICATIONS ARE THE PROPERTY OF CHRISTIE ELECTRIC CORP. AND SHALL NOT BE REPRODUCED, COPIED, OR USED AS THE BASIS FOR THE MANUFACTURE, PROCUREMENT OR SALE OF APPARATUS WITHOUT PERMISSION.

REG. # _____ ASSEMBLY NAME **AUTOMATIC TURRET ASSEMBLY** 7812470 MODEL # **P35** DATE REQ'D _____

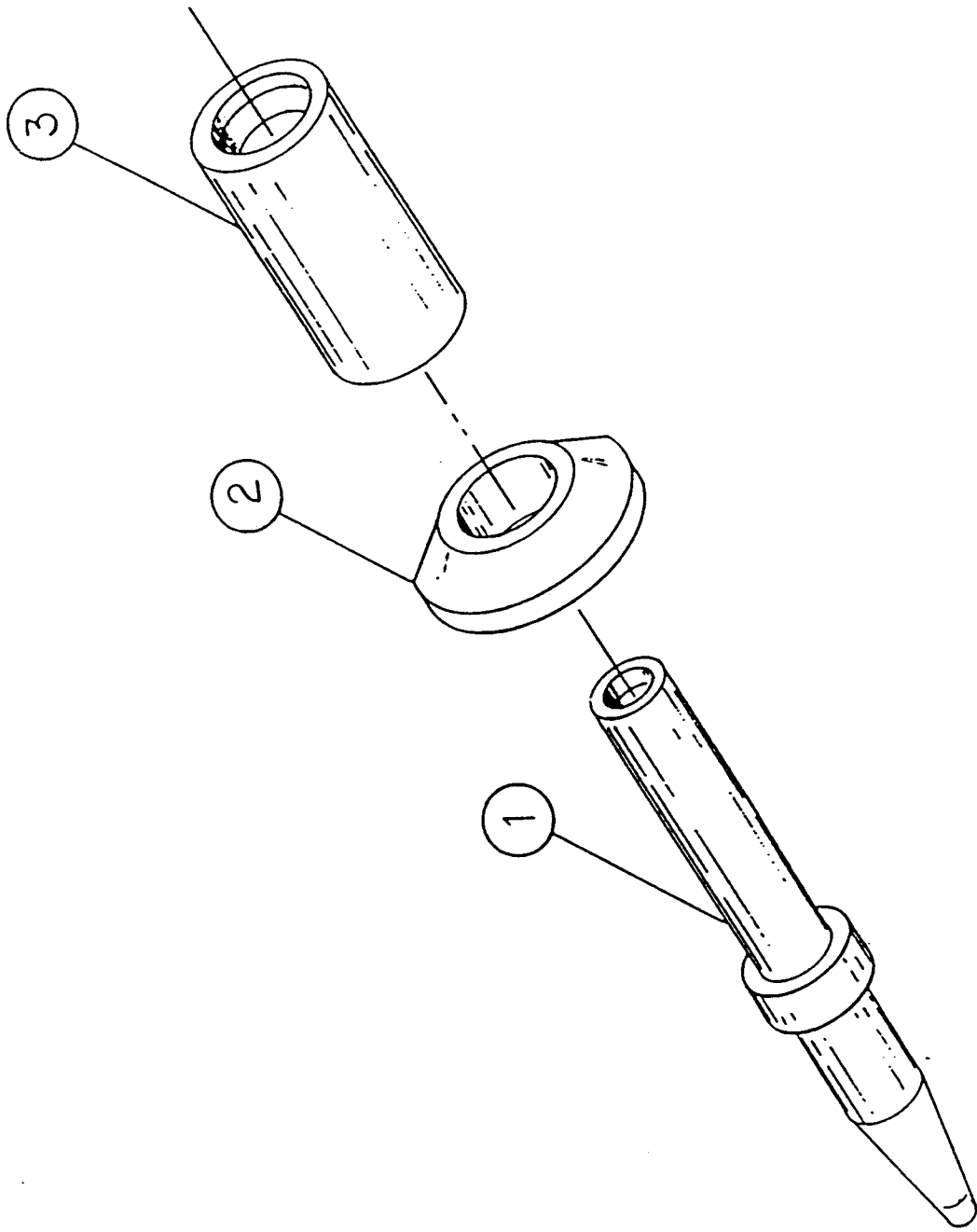
ITEM NO.	PART NO.	QTY. PER. ASST	QTY. REQ.	QTY. ISSUED	QTY. SHT.	REC. SPARE PTS.	PART NAME	B-H P/N
19	598931-369	2					Screw, Mach., Pan Head, Phil., 4-40 x 3/8	
20	598931-370	3					Switch, Miniature, Standard Force	
21	121173-001	2					Standoff, Switch	7812535
22	598931-209	11					Washer, Split Lock, #4	
23	598931-039	3					Screw, Socket Head Cap, Hex Socket, 4-40 x 3/8	
24	598931-427	7					Washer, Plain Flat, #4	
25	598931-361	1					Plate, Mounting Switches	
26	598931-034	1					Screw, Socket Head Cap, Hex Socket, 1/4-20 x 2-1/4	7812525
27	121167-001	2					Plate, Switch Trip, Trap And Gate Activating	
28	121168-001	1					Post, Switch Trip, Trap And Gate Activating	7812526-1
29	598931-405	4					Screw, Socket Haed Cap, Hex Socket, 4-40 x 1/2	
30	121163-001	2					Plate, Switch Trip, Motor Activating	7812472
31	121164-001	2					Post, Switch Trip, Motor Activating	7812473
32	121168-002	1					Post, Switch Trip, Trap And Gate Activating	7812526-2
33	598931-357	1					Screw, Socket Head Cap, Hex Socket, 1/4-20x1-3/4	
34	121214-001	1					Label CAUTION	
35	524640-047	1					Receptacle, Female, 4 Contacts	
36	507717-250	1 Ft					Tubing, Insulator, 0.25 I.D.	

REV	ECO	POSTED	MAT. ISSUED
		BY	DATE

THESE DRAWINGS AND SPECIFICATIONS ARE THE PROPERTY OF CHRISTIE ELECTRIC CO. AND SHALL NOT BE REPRODUCED, OR COPIED OR USED AS THE BASIS FOR THE MANUFACTURE, PROCUREMENT OR SALE OF APPARATUS WITHOUT PERMISSION.



STOP PIN SOLENOID ASSEMBLY
121025-001



SOLENOID PLUNGER - STOP PIN
121026-001

MODEL # P35
 QTY
 DATE REQ'D

ASSEMBLY NAME
 STOP PIN SOLENOID ASSEMBLY

PART NO.	QTY. PER ASSY	QTY. REQ.	QTY. ISSUED	QTY. SHIT.	REC. SPARE PIS.	PART NAME	B-H P/N
121170-001	1					Plate, Bottom, Solenoid, Auto Turret	7812531
121171-001	1					Plate, Upper End, Solenoid, Auto Turret	7812532-1
121171-002	1					Plate, Lower End, Solenoid, Auto Turret	7812532-2
121172-001	2					Cover, Side, Solenoid, Auto Turret	7812533
121124-001	1					Plate, Top, Solenoid, Auto Turret	7812534
121026-001	1					Plunger Solenoid, Stop Pin Assembly	
120767-001	1					Coil	
598931-379	1					Spring, Compression	
598931-041	4					Screw, Socket Head Cap, Hex Socket, 6-32x3/8	
598931-031	2					Screw, Socket Head Cap, Hex Socket, 1/4-20x1.0	
598931-278	4					Screw, Mach., Button Head, Hex Socket, 6-32x1/4	

THESE DRAWINGS AND SPECIFICATIONS ARE THE PROPERTY OF CHRISTIE ELECTRIC CORP. AND SHALL NOT BE REPRODUCED, OR COPIED, OR USED AS THE BASIS FOR THE MANUFACTURE, PROCUREMENT OR SALE OF APPARATUS WITHOUT PERMISSION.

ECO	B22317	POSTED	MAT. ISSUED
0.1.	C 22353	BY	DATE