

# Film-Tech

The information contained in this Adobe Acrobat pdf file is provided at your own risk and good judgment.

These manuals are designed to facilitate the exchange of information related to cinema projection and film handling, with no warranties nor obligations from the authors, for qualified field service engineers.

If you are not a qualified technician, please make no adjustments to anything you may read about in these Adobe manual downloads.

[www.film-tech.com](http://www.film-tech.com)

**PARTS LIST OF ASSEMBLIES**

**AND**

**ASSEMBLY DRAWINGS**

05/28/87

(87148)

CHRISTIE INC.

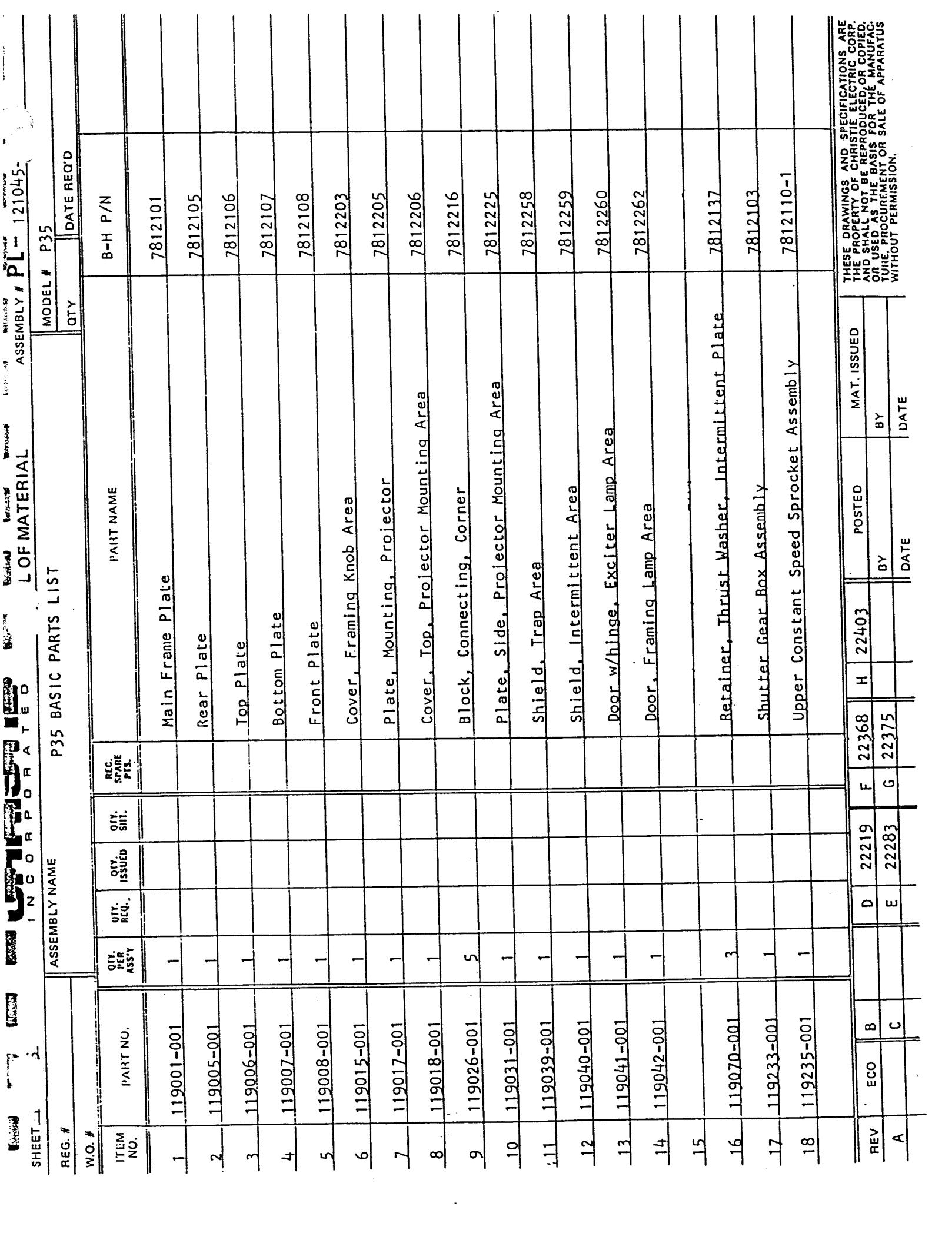
PART NARRATIVE

PART NUMBER 121045-001

DESCRIPTION  
P35 BASIC PROJECTOR

P35 BASIC PROJECTOR  
USED ON ALL TO LEVEL PARTS LISTS:  
STANDARD, MANUAL & AUTO TURRET  
MONO & STEREO, 50 & 60 HZ., INCL. AMC

NEXT REQUEST CODE DESIRED



ITEM NO.	PART NO.	QTY. PER ASS'Y	QTY. REQ.	QTY. ISSUED	QTY. SHI.	REC. SPARE PTS.	PART NAME	B-H P/N
1	119001-001	1					Main Frame Plate	7812101
2	119005-001	1					Rear Plate	7812105
3	119006-001	1					Top Plate	7812106
4	119007-001	1					Bottom Plate	7812107
5	119008-001	1					Front Plate	7812108
6	119015-001	1					Cover, Framing Knob Area	7812203
7	119017-001	1					Plate, Mounting, Projector	7812205
8	119018-001	1					Cover, Top, Projector Mounting Area	7812206
9	119026-001	5					Block, Connecting, Corner	7812216
10	119031-001	1					Plate, Side, Projector Mounting Area	7812225
11	119039-001	1					Shield, Trap Area	7812258
12	119040-001	1					Shield, Intermittent Area	7812259
13	119041-001	1					Door w/hinge, Exciter Lamp Area	7812260
14	119042-001	1					Door, Framing Lamp Area	7812262
15								
16	119070-001	3					Retainer, Thrust Washer, Intermittent Plate	7812137
17	119233-001	1					Shutter Gear Box Assembly	7812103
18	119235-001	1					Upper Constant Speed Sprocket Assembly	7812110-1

REV	ECO	B	C	D	E	F	G	H	POSTED	MAT. ISSUED
A				22219	22283	22368	22375	22403		
									BY	DATE

THESE DRAWINGS AND SPECIFICATIONS ARE THE PROPERTY OF CHRISTIE ELECTRIC CORP. AND SHALL NOT BE REPRODUCED, COPIED, OR USED AS THE BASIS FOR THE MANUFACTURE, PROCUREMENT OR SALE OF APPARATUS WITHOUT PERMISSION.

P35 BASIC PARTS LIST

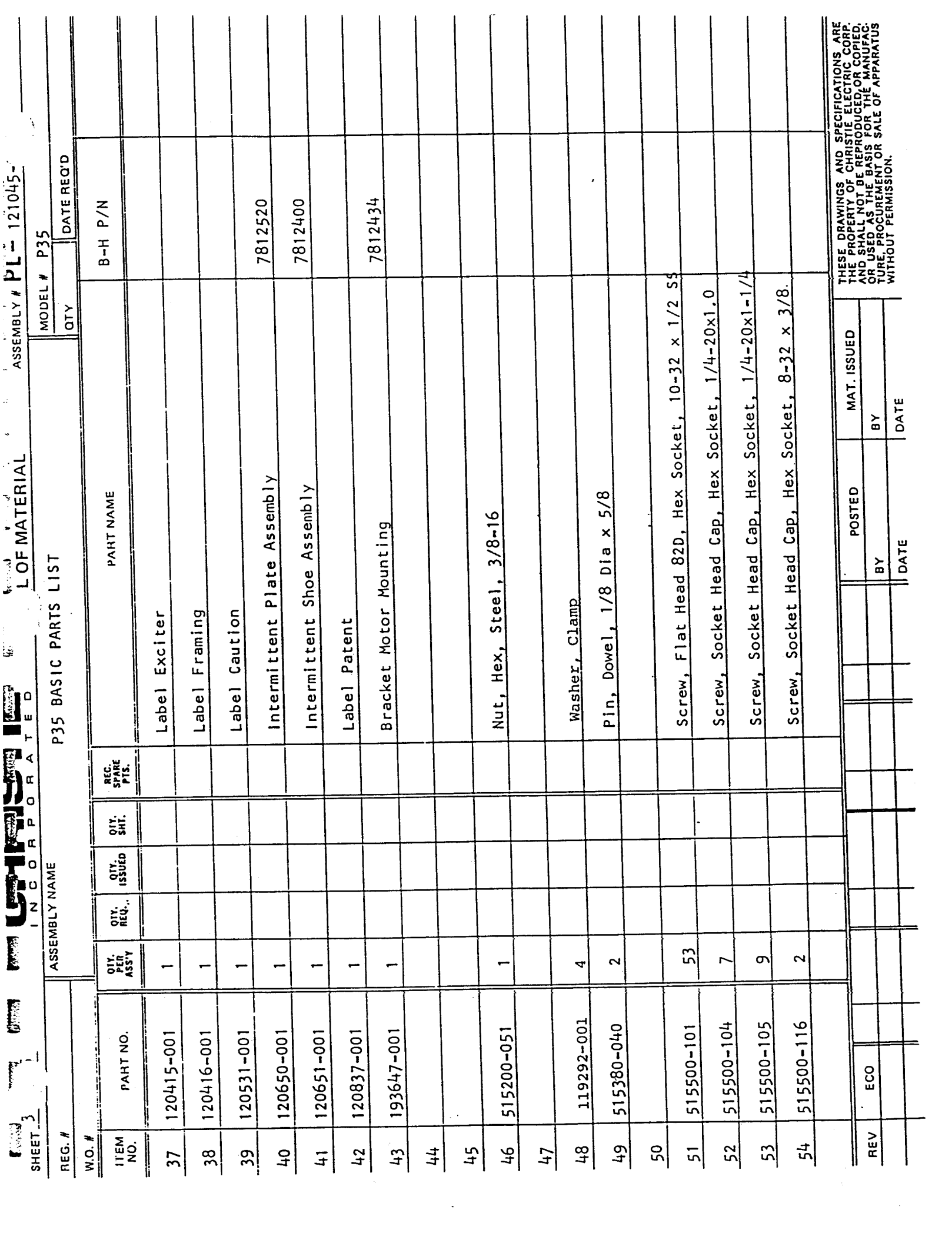
ASSEMBLY NAME

QTY DATE REQ'D

PART NO.	QTY PER ASSY	QTY REQ.	QTY ISSUED	QTY SHIP.	REC. SPARE PTS.	PART NAME	B-H P/N
119236-001	1					Center Constant Speed Sprocket Assembly	7812110-2
119237-001	1					Lower Constant Speed Sprocket Assembly	7812110-3
119241-001	1					Framing Knob Assembly	7812198
119242-001	1					Outer Timing Belt Fixed Idler Assembly	7812200
119243-001	4					Inner Timing Belt Fixed Idler Assembly	7812209
119245-001	1					Inner Timing Belt Adjustable Idler Assembly	7812223
119246-001	1					Sound Head Assembly	7812230
119249-001	1					Changeover Douser, Light Baffle Assembly	7812274
119250-001	1					Framing Light Assembly	7812286
119251-001	1					Outer Timing Belt Adjustable Idler Assembly	7812290
121115-001	1					Label TB2	
119254-001	1					Shutter Assembly	7812320
119263-001	1					Douser Assembly	7812309
119450-004	1					Assembly Intermittent Movement	7812109
119973-001	1					Bracket, Fastening, Lower Belt Area Cover	7812535
119247-002	1					Motor Assy, 60 Hz.	
120095-001	1					Gear Box Outboard Bearing Support Assembly	7812441
120414-001	1					Label Warning	

THESE DRAWINGS AND SPECIFICATIONS ARE THE PROPERTY OF CHRISTIE ELECTRIC CORP. AND SHALL NOT BE REPRODUCED, OR COPIED, OR USED AS THE BASIS FOR THE MANUFACTURE, PROCUREMENT OR SALE OF APPARATUS WITHOUT PERMISSION.

ECO	POSTED	MAT. ISSUED
BY	BY	DATE



MODEL # P35

QTY

DATE REQ'D

P35 BASIC PARTS LIST

ASSEMBLY NAME

ITEM NO.	PART NO.	QTY. PER ASSY	QTY. REQ.	QTY. ISSUED	QTY. SHI.	REC. SPARE PTS.	PART NAME	B-H P/N
37	120415-001	1					Label Exciter	
38	120416-001	1					Label Framing	
39	120531-001	1					Label Caution	
40	120650-001	1					Intermittent Plate Assembly	7812520
41	120651-001	1					Intermittent Shoe Assembly	7812400
42	120837-001	1					Label Patent	
43	193647-001	1					Bracket Motor Mounting	7812434
44								
45								
46	515200-051	1					Nut, Hex, Steel, 3/8-16	
47								
48	119292-001	4					Washer, Clamp	
49	515380-040	2					Pin, Dowel, 1/8 Dia x 5/8	
50								
51	515500-101	53					Screw, Flat Head 82D, Hex Socket, 10-32 x 1/2 SS	
52	515500-104	7					Screw, Socket Head Cap, Hex Socket, 1/4-20x1.0	
53	515500-105	9					Screw, Socket Head Cap, Hex Socket, 1/4-20x1-1/4	
54	515500-116	2					Screw, Socket Head Cap, Hex Socket, 8-32 x 3/8.	

THESE DRAWINGS AND SPECIFICATIONS ARE THE PROPERTY OF CHRISTIE ELECTRIC CORP. AND SHALL NOT BE REPRODUCED OR COPIED, OR USED AS THE BASIS FOR THE MANUFACTURE, PROCUREMENT OR SALE OF APPARATUS WITHOUT PERMISSION.

REV	ECO	POSTED	MAT. ISSUED
		BY	BY
		DATE	DATE

MODEL # P35

P35 BASIC PARTS LIST

ASSEMBLY NAME

QTY

DATE REQ'D

PART NO.	QTY. PER ASSY	QTY. REQ.	QTY. ISSUED	QTY. SHIP.	RCC. SPARE PTS.	PART NAME	B-H P/N
515500-118	3					Screw, Pan Head, Phil., 8-32 x 1/4	
515500-119	7					Screw, Flat Head 82D, Phil., 6-32 x 3/8	
515700-121	1					Stud, Captive, Pem, 3/8 x 1-1/2	
598931-016	2					Dowel pin, 1/8 x 3/8	
598931-053	14					Washer, Clamp	
515819-503	4					Washer, Split Lock, #1/4	
526030-033	1					Fan Cord with Receptacle, 18 AWG	
585214-404	1					Terminal Strip, 4 Contacts, Double Row	TB2
585214-405	1					Terminal Strip, 5 Contacts, Double Row	TB3
598931-044	8					Screw, Socket Head Cap, Hex Socket, 8-32 x 1/2	
598931-078	5					Screw, Pan Head, Phil., 8-32 x 3/8	
598931-137	6					Thrust Bearing	
598931-178	1					Belt, Drive, Outer	Uniroyal 360 x L037
598931-179	1					Belt, Drive, Inner	Uniroyal 630 x 1037 Z
598931-201	1					Door Catch	
121330-001	1					Fan, Modified	598931-204
598931-205	1					Fan Guard	
598931-214	1					Switch	

THESE DRAWINGS AND SPECIFICATIONS ARE THE PROPERTY OF CHRISTIE ELECTRIC CORP. AND SHALL NOT BE REPRODUCED, OR COPIED, OR USED AS THE BASIS FOR THE MANUFACTURE, PROCUREMENT OR SALE OF APPARATUS WITHOUT PERMISSION.

MAT. ISSUED BY DATE

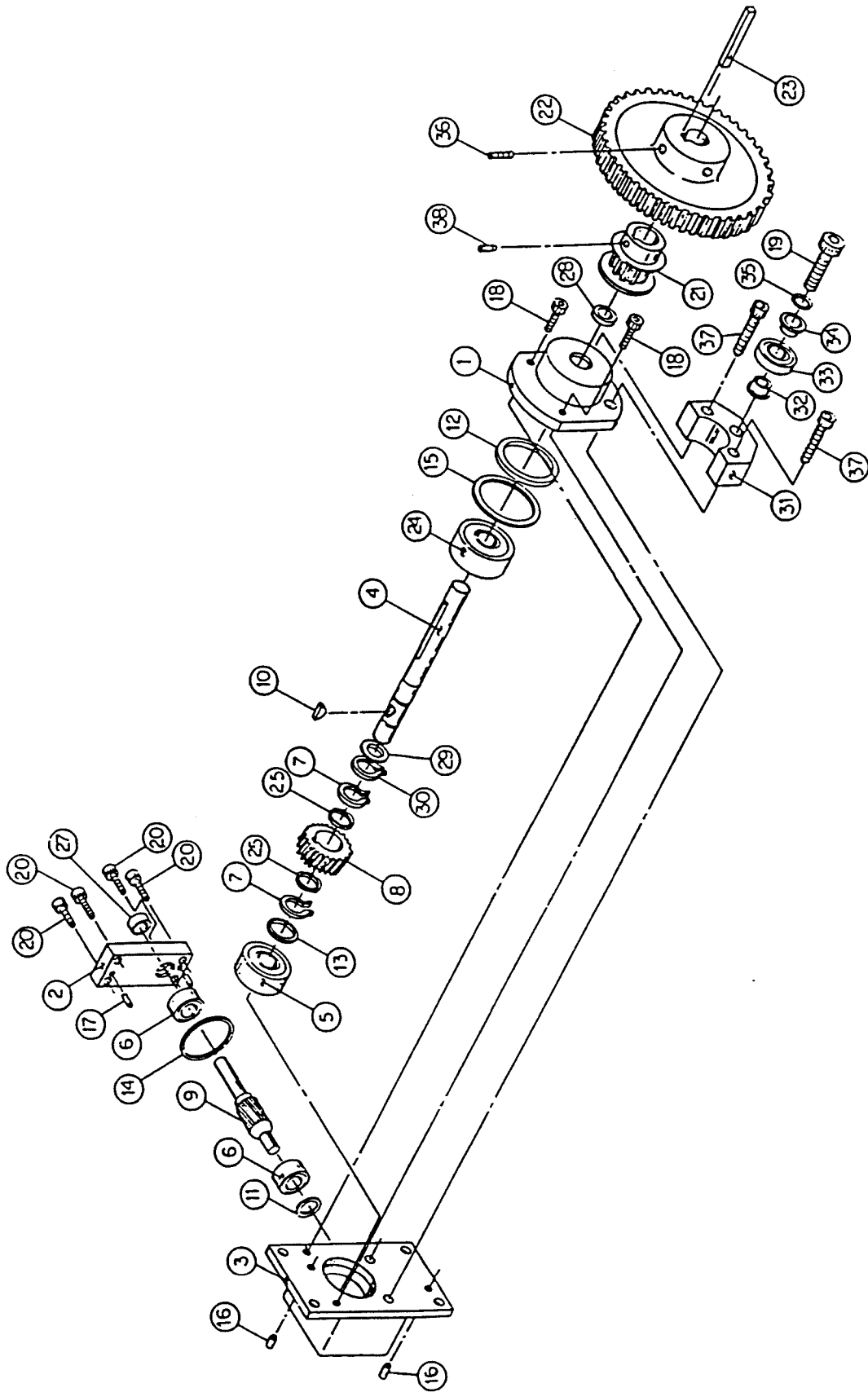
POSTED BY DATE

ITEM NO.	PART NO.	QTY. PER ASSY	QTY. REQ.	QTY. ISSUED	QTY. SHIP.	REC. SPARE PTS.	PART NAME	B-H P/N
73	598931-215	1					Lamp, Framing	
74	598931-223	2					Fastner, 1/4 Turn, Short	
75	598931-074	14					Washer, Flat #8	
76	598931-237	3					Screw, Hex Head, 3/8-16 x 1-1/2	
77	598931-238	4					Washer, Plain Flat, Steel, #3/8	
78	598931-239	4					Washer, Split Lock, #3/8	
79	598931-084	18					Washer, Split Lock #8	
80	598931-246	2					Snap Ring for 1/4 Turn Fastner	
81	598931-247	2					Spring, Receptacle for 1/4 Turn Fastner	
82	598931-248	1					Spring, Clip, Receptacle for 1/4 Turn Fastner	
83								
84	598931-276	2					Cable Clamp, #3/16	
85	598931-278	4					Screw, Button Head, Hex Socket, 6-32 x 1/4	
86	598931-386	4					Screw, Button Head, Hex Socket, 10-32 x 1/2	
87	121116-001	1					Label TB3	
88	102916-004	1					Insulator Terminal Board TB2	
89	102916-005	1					Insulator Terminal Board TB3	
90	121195-001	1					Changeover Assembly	7812550

REV	ECO	POSTED	MAT. ISSUED
		BY	DATE
		BY	DATE

THESE DRAWINGS AND SPECIFICATIONS ARE THE PROPERTY OF CHRISTIE ELECTRIC CORP. AND SHALL NOT BE REPRODUCED, COPIED, OR USED AS THE BASIS FOR THE MANUFACTURE, PROCUREMENT OR SALE OF APPARATUS WITHOUT PERMISSION.





SHUTTER GEAR BOX ASSEMBLY  
119233-001

REG. # 7812103  
 ASSEMBLY NAME SHUTTER GEAR BOX ASSEMBLY  
 W.O. #

ITEM NO.	PART NO.	QTY. PER ASSY	QTY. REQ.	QTY. ISSUED	QTY. SHT.	REC. SPARE PTS.	PART NAME	B-H P/N	QTY	DATE REQ'D
1	119079-001	1					Jack Shaft Bearing Retainer	7812140		
2	119080-001	1					Shutter Shaft Bearing Retainer	7812141		
3	119081-001	1					Sutter Gear Box Housing	7812142		
4	119082-001	1					Sutter Gear Box Jack Shaft	7812143		
5	598931-174	1					Ball Bearing	NTN R6ZZ/4C		
6	598931-173	2					Ball Bearing	NTN R4ZZ/4C		
7	598931-155	2					External Retaining Ring	Waldes Truar 5100-37SPP		
8	119084-001	1					Shutter Gear Box Jack Shaft Helical Gear	7812321		
9	119085-001	1					Shutter Gear Box Shutter Shaft Helical Gear	7812322		
10	598931-095	1					Woodruff Key	303 Com. Allied DD64		
11	598931-054	1					Spring, Preload, Ball Bearing	Assoc. Spring W1351-015		
12	598931-184	1					Spring, Preload, Ball Bearing	Allied DB3D9		
13	598931-065	1					Spacer, Shim, Precision	020-19357		
14	598931-096	1					O Ring	030-19357		
15	598931-161	1					O Ring			
16	598931-016	2					Pin, Dowel, 1/8 Dia x 3/8, Steel Hardened			
17	598931-012	2					Pin, Dowel, 1/16 Dia x 1/4, Steel Hardened			
18	598931-044	2					Screw, Socket Head Cap, Hex Socket, 8-32 x 1/2.			

REV	ECO	B	C	D	E	22300	POSTED	MAT. ISSUED
A							BY	DATE
							BY	DATE

THESE DRAWINGS AND SPECIFICATIONS ARE THE PROPERTY OF CHRISTIE ELECTRIC CORP. AND SHALL NOT BE REPRODUCED, OR COPIED, OR USED AS THE BASIS FOR THE MANUFACTURE, PROCUREMENT OR SALE OF APPARATUS WITHOUT PERMISSION.

MODEL # P35

ASSEMBLY NAME

Shutter Gear Box

QTY DATE REQ'D

PART NO.	QTY. PER ASSY	QTY. REQ.	QTY. ISSUED	QTY. SHI.	REC. SPARE PIS.	PART NAME	NTN
598931-031	1					Screw, Socket Head Cap, Hex Socket, 1/4-20 x 1	
598931-040	4					Screw, Socket Head Cap, Hex Socket, 4-40 x 5/8	
119217-001	1					Pulley, Timing Belt w/ Flanges, 15 Tooth	7812355-1
119218-001	1					pulley, Timing Belt w/o Flanges, 60 Tooth	7812355-2
119073-002	1					Key, Square	7812149-2
598931-175	1					Ball Bearing	NTN 6300ZZ/4C
598931-192	2					Washer, Wave Spring	ASSOC SPRING W0484-009
598931-429	.01	PT				High Temp Grease	TG-650HT
598931-430	1					Seal, Oil	J. Crane 025-062-8-03
598931-188	1					Seal, Oil	J. Crane 037-062-4M0
119276-001	1					Spacer	7812340
598931-431	1					Ring, External Retaining	Waldes Truarc 5100-39SPP
120156-001	1					Plate, Belt Keeper Bearing Mounting	7812346
120157-001	1					Bearing Mounting Standoff	7812347
598931-121	1					Ball Bearing (Belt Keeper)	NTN R8ZZ/1E
598931-344	1					Isolator	7812521
119150-001	1					Cap	7812229
598931-185	1					Set Screw, Hex Socket, Cup Point, 10-32 x 1/2	

THESE DRAWINGS AND SPECIFICATIONS ARE THE PROPERTY OF CHRISTIE ELECTRIC CORP. AND SHALL NOT BE REPRODUCED, COPIED, OR USED AS THE BASIS FOR THE MANUFACTURE, PROCUREMENT OR SALE OF APPARATUS WITHOUT PERMISSION.

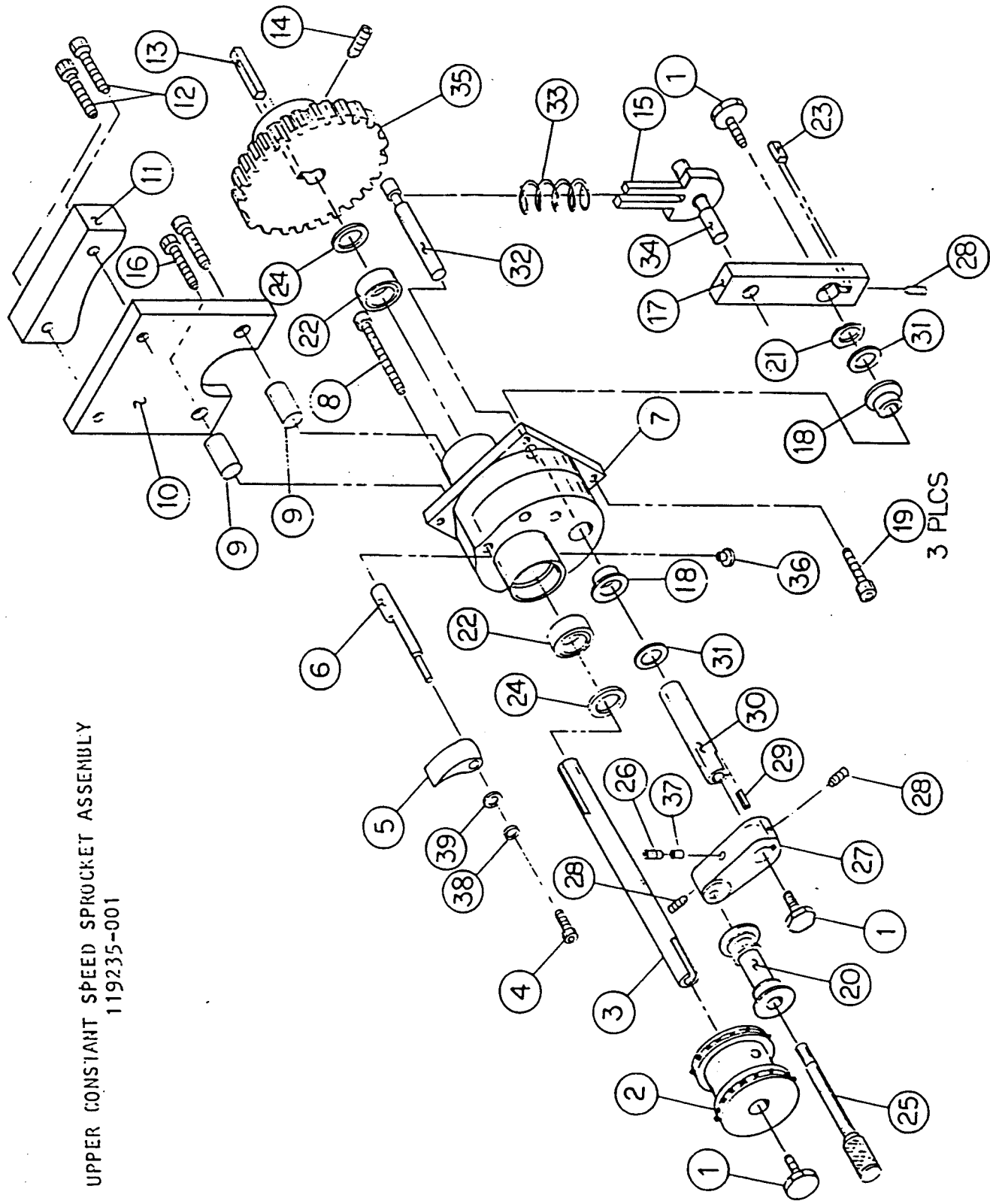
ECO	POSTED	MAT. ISSUED
	BY	DATE

REG. #	ASSEMBLY NAME	QTY. PER ASSY	QTY. REQ.	QTY. ISSUED	QTY. SHT.	REC. SPARE PTS.	PART NAME	QTY	DATE REC'D
	Shutter Gear Box								
W.O. #									
37	598931-163	2					Screw, Socket Head Cap, 8-32 x 1		
38	598931-023	1					Set Screw, Hex Socket, Cup Point, 8-32 x 3/16		
39	598931-045	4					Screw, Socket Head Cap, Hex Socket, 8-32 x 5/8		

THESE DRAWINGS AND SPECIFICATIONS ARE THE PROPERTY OF CHRISTIE ELECTRIC CORP. AND SHALL NOT BE REPRODUCED, OR COPIED, OR USED AS THE BASIS FOR THE MANUFACTURE, PROCUREMENT OR SALE OF APPARATUS WITHOUT PERMISSION.

REV	ECO	POSTED	MAT. ISSUED
		BY	BY
		DATE	DATE

UPPER CONSTANT SPEED SPROCKET ASSEMBLY  
119235-001



Data Trans 960515 ***		Bill of Material Explosion/Implosion ***			
Level	Dir	Part No	Description	Usage:Gross	Extended
01		UPPER SPROCKET ASSY			0019
2	0010	119054-001	PAD ROLLR ARM STOP	EA 1.000	1.000
2	0020	119056-001	SPRING RETAINER;PD ROLLER	EA 1.000	1.000
2	0030	119073-001	SQUARE KEY	EA 1.000	1.000
2	0040	119073-003	SQUARE KEY	EA 2.000	2.000
2	0050	119078-001	SCREW:ALLEN HEX SCKT SET;STL	EA 1.000	1.000
2	0060	119102-001	PAD ROLLER ARM	EA 1.000	1.000
2	0070	119103-001	SPROCKET HOUSING	EA 1.000	1.000
2	0080	119104-001	TOGGLE ARM	EA 1.000	1.000
2	0090	119106-001	STRIPPER POST	EA 1.000	1.000
2	0100	119107-001	STRIPPER	EA 1.000	1.000
2	0110	119109-001	PAD RLLR ARM SHAFT	EA 1.000	1.000
2	0120	119110-001	SHAFT, UPPER & CENTER C.S SP	EA 1.000	1.000
2	0130	119112-001	ARM TOGL BASE STUD	EA 1.000	1.000
2	0140	119112-002	HOUSE TOGL STUD	EA 1.000	1.000
2	0150	119115-002	TIMING BELT PULLEY	EA 1.000	1.000
2	0170	598931-023	SET SCR,HEX 8-32x3/16"	EA 3.000	3.000
2	0190	598931-038	SCR, SHC 4-40x1/4"	EA 1.000	1.000
2	0200	598931-062	SHAFT SPACER	EA 2.000	2.000
2	0210	598931-066	SHIM SPACER	EA 2.000	2.000

EXPLOD TR L ID 119235-001

Data Trans 960515 \*\*\* Bill of Material Explosion/Implosion \*\*\*  
ev 01 UPPER SPROCKET ASSY Qty

Level	Dir	Part No	Description	Usage:Gross	Extended	0032
		0210 598931-066	SHIM SPACER	EA 2.000	2.000	
		0220 598931-090	BEARING SLEEVE	EA 2.000	2.000	
		0230 598931-107	FILM SPROCKET ONLY	EA 1.000	1.000	
		0240 598931-116	PAD RLR SHAFT, (STUD ASSEMBLY	EA 1.000	1.000	
		0250 598931-117	PAD ROLLER	EA 1.000	1.000	
		0260 598931-607	BEARING 3/8 x 7/8 x .2812	EA 2.000	2.000	
		0270 598931-141	CPRSN SPRING	EA 1.000	1.000	
		0290 515500-070	SOCKET SCREW	EA 1.000	1.000	
		0300 598931-192	WAVE WASHER	EA 2.000	2.000	
		0310 598931-194	LOCKING SCREW	EA 1.000	1.000	
		0330 598931-195	SCR,SHC 10-32x1-1/2"	EA 1.000	1.000	
		0350 598931-209	LOCK WASHER #4	EA 1.000	1.000	
		0370 598931-427	WASHER PL.FL.#4 CONSTANT SPE	EA 1.000	1.000	
		0380 598931-486	SCR 10-32X3/8 TRUS	EA 2.000	2.000	

ASSEMBLY NAME **ASSEMBLY UPPER CONSTANT SPEED SPROCKET** 7812110-1  
 QTY

ITEM NO.	PART NO.	QTY. PER ASS'Y	QTY. REQ.	QTY. ISSUED	QTY. SHIP.	REC. SPARE PTS.	PART NAME	B-H P/N
1	119055-001	3					Screw, Shaft End, 8-32 x 5/16 (Modified)	7812117
2	598931-107	1					Sprocket	7812119-1
3	119110-001	1					Shaft, Sprocket	7812119-1
4	598931-038	1					Screw, Socket Head Cap, Hex Socket, 4-40 x 1/4	7812116
5	119107-001	1					Stripper	7812115
6	119106-001	1					Post, Stripper	7812112
7	119103-001	1					Housing, Constant Speed Sprocket	7812112
8	598931-195	1					Screw, Socket Head Cap, Hex Socket, 10-32 x 1-1/2	7812356
9	193579-001	2					Spacer	7812359
10	193578-001	1					Shoe, Mounting Plate, Upper/Lower	7812344
11	193580-001	1					Shoe, Belt Keeper	7812344
12	598931-197	2					Screw, Socket Head Cap, Hex Socket, 10-31 x 1.0	7812149-1
13	119073-001	1					Square Key	7812123
14	598931-185	1					Screw, Set, Hex Socket, Cup Point 10-32 x 1/2	7812123
15	119056-001	1					Spring, Retainer	7812113
16	598931-163	2					Screw, Socket Head Cap, Hex Socket, 8-32 x 1.0	7812113
17	119104-001	1					Arm, Toggle	7812113
18	598931-090	2					Sleeve Bearing, Flanged	

REV	ECO	B	C	D	E	F	G	POSTED	MAT. ISSUED
A						22173	22276		
								BY	DATE

THESE DRAWINGS AND SPECIFICATIONS ARE THE PROPERTY OF CHRISTIE ELECTRIC CORP AND SHALL NOT BE REPRODUCED OR COPIED OR USED AS THE BASIS FOR THE MANUFACTURE, PROCUREMENT OR SALE OF APPARATUS WITHOUT PERMISSION.



ASSEMBLY NAME: ASSEMBLY UPPER CONSTANT SPEED SPROCKET 7812110-1

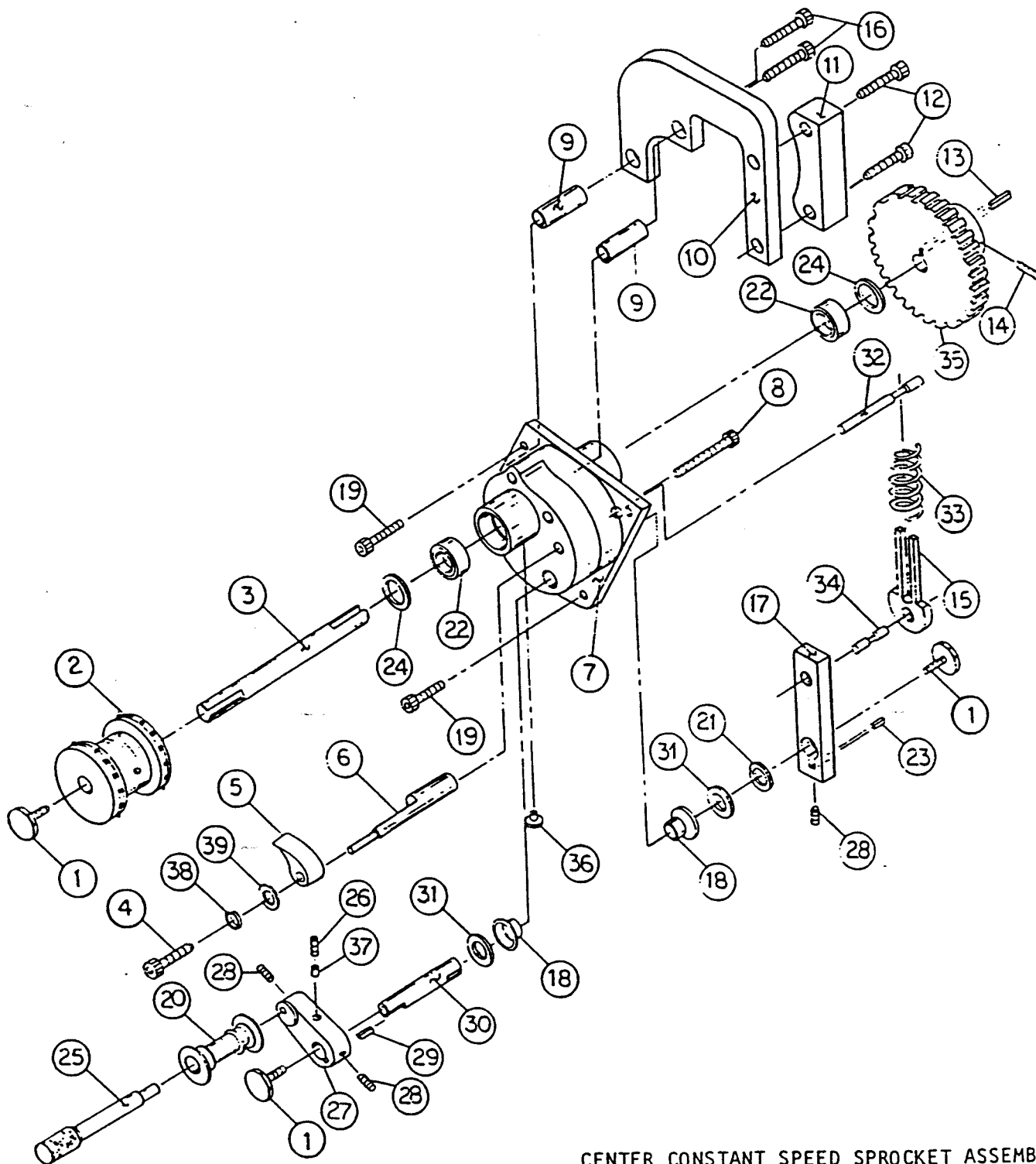
MODEL # P35  
QTY: \_\_\_\_\_ DATE REC'D: \_\_\_\_\_

PART NO.	QTY. PER ASSY	QTY. REQ.	QTY. ISSUED	QTY. SHT.	REC. SPARE PIS.	PART NAME	B-H P/N
598931-044	3					Screw, Socket Head Cap, Hex Socket, 8-32 x 1/2	
598931-117	1					Pad Roller	
598931-192	1					Washer, Wave Spring	
598931-120	2					Ball Bearing	7812149-4
119073-004	1					Square Key	
598931-066	2					Precision Shaft Spacer	
598931-116	1					Shaft, Pad Roller	
119078-001	1					Screw, Set, Hex Socket, Oval Point	7812317
119102-001	1					Arm, Pad Roller	7812111
598931-023	3					Screw, Set, Hex Socket, Cup Point, 8-32 x 3/16	
119073-003	1					Square Key	7812149-3
119109-001	1					Shaft, Pad Roller Arm	7812118
598931-062	2					Precision Shim Spacer	
119112-002	1					Stud, Housing Toggle Base	7812122-2
598931-141	1					Spring, Compression	
119112-001	1					Stud, Arm Toggle Base	7812122-1
119115-001	1					Pulley, Timing Belt (Modified)	7812287-1
119054-001	1					Pad Roller Arm Stop	7812114

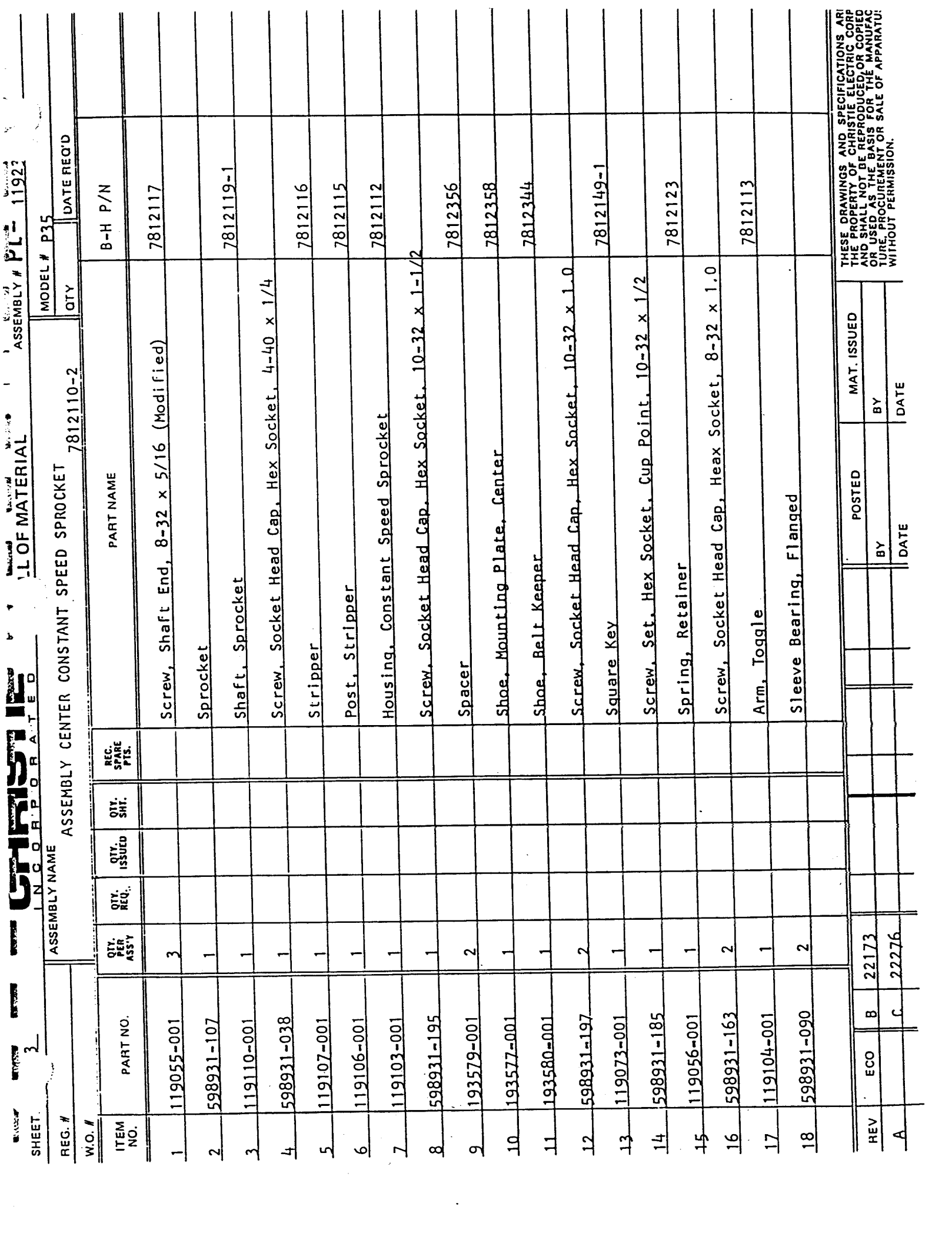
THESE DRAWINGS AND SPECIFICATIONS ARE THE PROPERTY OF CHRISTIE ELECTRIC CORP. AND SHALL NOT BE REPRODUCED OR COPIED, OR USED AS THE BASIS FOR THE MANUFACTURE, PROCUREMENT OR SALE OF APPARATUS WITHOUT PERMISSION.

ECO	POSTED	MAT. ISSUED
BY	DATE	





CENTER CONSTANT SPEED SPROCKET ASSEMBLY  
119236-001



REG. # \_\_\_\_\_ ASSEMBLY NAME **ASSEMBLY CENTER CONSTANT SPEED SPROCKET** MODEL # **P35** DATE REQ'D \_\_\_\_\_

W.O. # \_\_\_\_\_ QTY \_\_\_\_\_

ITEM NO.	PART NO.	QTY. PER ASSY	QTY. REQ.	QTY. ISSUED	QTY. SHIP.	REC. SPARE PTS.	PART NAME	B-H P/N
1	119055-001	3					Screw, Shaft End, 8-32 x 5/16 (Modified)	7812117
2	598931-107	1					Sprocket	7812119-1
3	119110-001	1					Shaft, Sprocket	
4	598931-038	1					Screw, Socket Head Cap, Hex Socket, 4-40 x 1/4	7812116
5	119107-001	1					Stripper	7812115
6	119106-001	1					Post, Stripper	7812112
7	119103-001	1					Housing, Constant Speed Sprocket	
8	598931-195	1					Screw, Socket Head Cap, Hex Socket, 10-32 x 1-1/2	7812356
9	193579-001	2					Spacer	7812358
10	193577-001	1					Shoe, Mounting Plate, Center	7812344
11	193580-001	1					Shoe, Belt Keeper	
12	598931-197	2					Screw, Socket Head Cap, Hex Socket, 10-32 x 1.0	7812149-1
13	119073-001	1					Square Key	
14	598931-185	1					Screw, Set, Hex Socket, Cup Point, 10-32 x 1/2	7812123
15	119056-001	1					Spring, Retainer	
16	598931-163	2					Screw, Socket Head Cap, Hex Socket, 8-32 x 1.0	7812113
17	119104-001	1					Arm, Toggle	
18	598931-090	2					Sleeve Bearing, Flanged	

HEV	ECO	B	22173	POSTED	MAT. ISSUED
A	C	22276	BY	BY	DATE

THESE DRAWINGS AND SPECIFICATIONS ARE THE PROPERTY OF CHRISTIE ELECTRIC CORP AND SHALL NOT BE REPRODUCED OR COPIED OR USED AS THE BASIS FOR THE MANUFACTURE, PROCUREMENT OR SALE OF APPARATUS WITHOUT PERMISSION.

PART NO.	QTY. REQ. ASS'Y	QTY. REQ.	QTY. ISSUED	QTY. SHI.	REC. SPARE PTS.	PART NAME	B-H P/N
598931-044	3					Screw, Socket Head Cap, Hex Socket, 8-32 x 1/2	
598931-117	1					Pad Roller	
598931-192	1					Washer, Wave Spring	
598931-120	2					Ball Bearing	
119073-004	1					Square Key	7812149-4
598931-066	2					Precision Shaft Spacer	
598931-116	1					Shaft, Pad Roller	
119078-001	1					Screw, Set, Hex Socket, Oval Point	7812317
119102-001	1					Arm, Pad Roller	7812111
598931-023	3					Screw, Set, Hex Socket, Cup Point, 8-32 x 3/16	
119073-003	1					Square Key	7812149-3
119109-001	1					Shaft, Pad Roller Arm	7812118
598931-062	2					Precision Shim Spacer	
119112-002	1					Stud, Housing Toggle Base	7812122-2
598931-141	1					Spring Compression	
119112-001	1					Stud, Arm Toggle Base	7812122-1
119115-002	1					Pulley, Timing Belt (Modified)	7812287-2
119054-001	1					Pad Roller Arm Stop	7812114

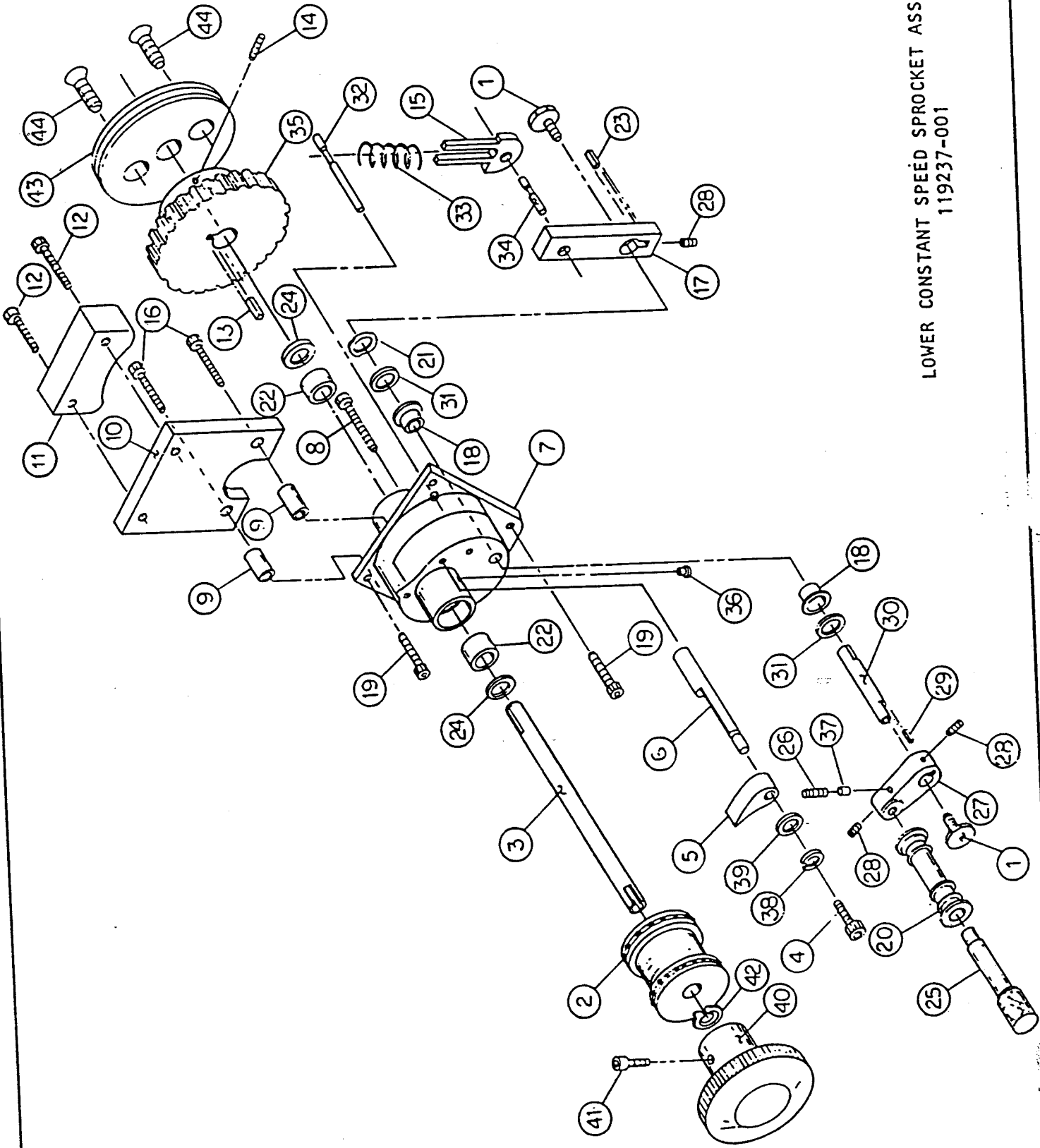
THESE DRAWINGS AND SPECIFICATIONS ARE THE PROPERTY OF CHRISTIE ELECTRIC CORP. AND SHALL NOT BE REPRODUCED, OR COPIED, OR USED AS THE BASIS FOR THE MANUFACTURE, PROCUREMENT OR SALE OF APPARATUS WITHOUT PERMISSION.

ECO

POSTED \_\_\_\_\_ MAT. ISSUED \_\_\_\_\_  
 BY \_\_\_\_\_ DATE \_\_\_\_\_



LOWER CONSTANT SPEED SPROCKET ASSEMBLY  
119237-001



ASSEMBLY NAME: **ASSEMBLY LOWER CONSTANT SPEED SPROCKET**  
 MODEL # **P35**  
 DATE REQ'D: \_\_\_\_\_  
 QTY: \_\_\_\_\_  
 PART NO. **7812110-3**

ITEM NO.	PART NO.	QTY. PER ASSY	QTY. REQ.	QTY. ISSUED	QTY. SHT.	REC. SPARE PIS.	PART NAME	B-H P/L
1	119055-001	2					Screw, Shaft End, 8-32 x 5/16 (Modified)	7812117
2	598931-107	1					Sprocket	
3	119110-002	1					Shaft, Sprocket	7812119-2
4	598931-038	1					Screw, Socket Head Cap, Hex Socket, 4-40 x 1/4	
5	119107-001	1					Stripper	7812116
6	119106-001	1					Post, Stripper	7812115
7	119103-001	1					Housing, Constant Speed Sprocket	7812112
8	598931-195	1					Screw, Socket Head Cap, Hex Socket, 10-32 x 1-1/2	
9	193579-001	2					Spacer	7812356
10	193578-001	1					Shoe, Mounting Plate, Upper/Lower	7812359
11	193580-001	1					Shoe, Belt Keeper	7812344
12	598931-197	2					Screw, Socket Head Cap, Hex Socket, 10-32 x 1/2	
13	119073-001	1					Square Key	7812149-5
14	598931-185	1					Screw, Set, Hex Socket, Cup Point, 10-32 x 1/2	
15	119056-001	1					Spring Retainer	7812123
16	598931-163	2					Screw, Socket Head Cap, Hex Socket, 8-32 x 1.0	
17	119104-001	1					Arm, Toggle	7812113
18	598931-090	2					Sleeve Bearing, Flanged	

REV	ECO	B	22173	POSTED	MAT. ISSUED
A		C	22276 <td>BY</td> <td>DATE</td>	BY	DATE

THESE DRAWINGS AND SPECIFICATIONS ARE THE PROPERTY OF CHRISTIE ELECTRIC CORP AND SHALL NOT BE REPRODUCED OR COPIED OR USED AS THE BASIS FOR THE MANUFACTURE, PROCUREMENT OR SALE OF APPARATUS WITHOUT PERMISSION.



PART NO.	QTY. PER ASSY	QTY. REQ.	QTY. ISSUED	QTY. SHI.	REG. SPARE PIS.	PART NAME	B-H P/N
598931-044	3					Screw, Socket Head Cap, Hex Socket, 8-32 x 1/2	
598931-117	1					Pad Roller	
598931-192	1					Washer, Wave Spring	
598931-120	2					Ball Bearing	7812149-4
119073-004	1					Square Key	
598931-066	2					Precision Shaft Spacer	
598931-116	1					Shaft, Pad Roller	7812317
119078-001	1					Screw, Set, Hex Socket, Oval Point	7812111
119102-001	1					Arm, Pad Roller	
598931-023	3					Screw, Set, Hex Socket, Cup Point, 8-32 x 3/16	7812149-3
119073-003	1					Square Key	7812118
119109-001						Shaft, Pad Roller Arm	
598931-062	2					Precision Shim Spacer	
119112-002	1					Stud, Housing Toggle Base	7812122-2
598931-141	1					Spring Compression	7812122-1
119112-001	1					Stud, Arm Toggle Base	7812287
119115-003	1					Pulley, Timing Belt (Modified)	
119054-001	1					Pad Roller Stop	7812114

ECO	POSTED	MAT. ISSUED
	BY	DATE

THESE DRAWINGS AND SPECIFICATIONS ARE THE PROPERTY OF CHRISTIE ELECTRIC CORP. AND SHALL NOT BE REPRODUCED OR COPIED, IN WHOLE OR IN PART, FOR ANY PURPOSE, WITHOUT PERMISSION OF CHRISTIE ELECTRIC CORP.

Lev	01	LOWER SPROCKET ASSY	Qty	Usage:Gross	Extended	0019
Level	Dir	Part No	Description			
02	0010	194510-001	KNOB TURN DOWN	EA	1.000	1.000
02	0040	119056-001	SPRING RETAINER;PD ROLLER	EA	1.000	1.000
02	0050	119073-001	SQUARE KEY	EA	1.000	1.000
02	0060	119073-003	SQUARE KEY	EA	2.000	2.000
02	0070	119078-001	SCREW:ALLEN HEX SCKT SET;STL	EA	1.000	1.000
02	0080	119102-001	PAD ROLLER ARM	EA	1.000	1.000
02	0090	119103-001	SPROCKET HOUSING	EA	1.000	1.000
02	0100	119104-001	TOGGLE ARM	EA	1.000	1.000
02	0110	119106-001	STRIPPER POST	EA	1.000	1.000
02	0120	119107-001	STRIPPER	EA	1.000	1.000
02	0130	119109-001	PAD RLLR ARM SHAFT	EA	1.000	1.000
02	0140	119110-002	SHAFT, LOWER C.S. SPROCKET	EA	1.000	1.000
02	0160	119112-001	ARM TOGL BASE STUD	EA	1.000	1.000
02	0170	119112-002	HOUSE TOGL STUD	EA	1.000	1.000
02	0180	119115-003	TIMING BELT PULLEY	EA	1.000	1.000
02	0220	598931-038	SCR, SHC 4-40x1/4"	EA	1.000	1.000
02	0240	598931-049	SCR, SHC 10-32x5/8"	EA	1.000	1.000
02	0250	598931-062	SHAFT SPACER	EA	2.000	2.000
02	0260	598931-066	SHIM SPACER	EA	2.000	2.000

EXPLOD TR L ID 119237-001

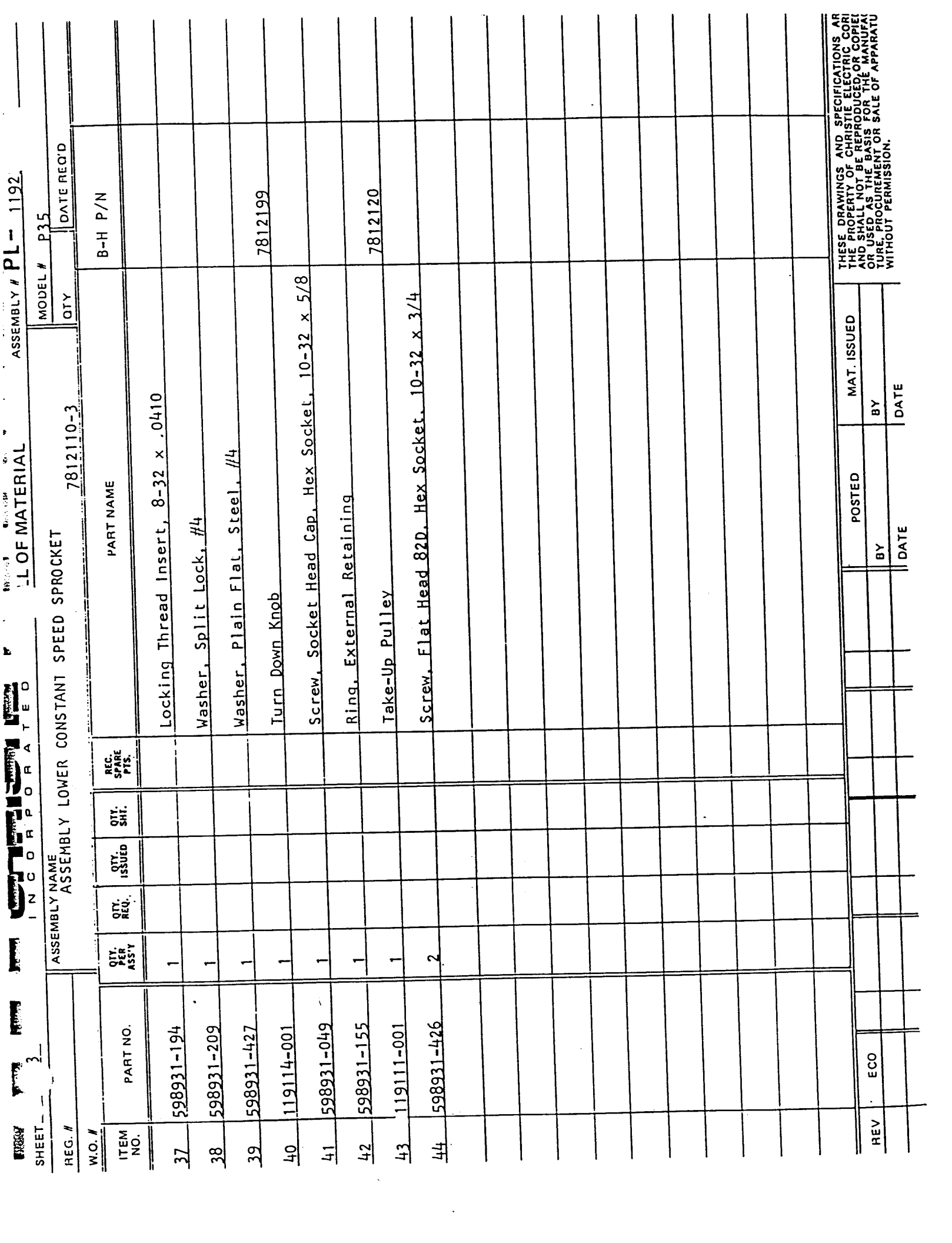
Data Trans 960515 \*\*\* Bill of Material Explosion/Implosion \*\*\*

ev 01 LOWER SPROCKET ASSY

Qty

0033

Level	Dir	Part No	Description	Usage:	Gross	Extended
		0260 598931-066	SHIM SPACER	EA	2.000	2.00
		0270 598931-090	BEARING SLEEVE	EA	2.000	2.00
		0280 598931-107	FILM SPROCKET ONLY	EA	1.000	1.000
		0290 598931-116	PAD RLR SHAFT, (STUD ASSEMBLY	EA	1.000	1.000
		0300 598931-117	PAD ROLLER	EA	1.000	1.000
		0310 598931-607	BEARING 3/8 x 7/8 x .2812	EA	2.000	2.000
		0320 598931-141	CPRSN SPRING	EA	1.000	1.000
		0330 598931-155	EXTRNL RETAIN RING LOWER SPR	EA	1.000	1.000
		0350 515500-070	SOCKET SCREW	EA	1.000	1.000
		0360 598931-192	WAVE WASHER	EA	2.000	2.000
		0370 598931-194	LOCKING SCREW	EA	1.000	1.000
		0390 598931-195	SCR, SHC 10-32x1-1/2"	EA	1.000	1.000
		0420 598931-486	SCR 10-32X3/8 TRUS	EA	2.000	2.000
		0430 119054-001	PAD ROLLER ARM STOP	EA	1.000	1.000
		0440 598931-023	SET SCR, HEX 8-32x3/16"	EA	3.000	3.000

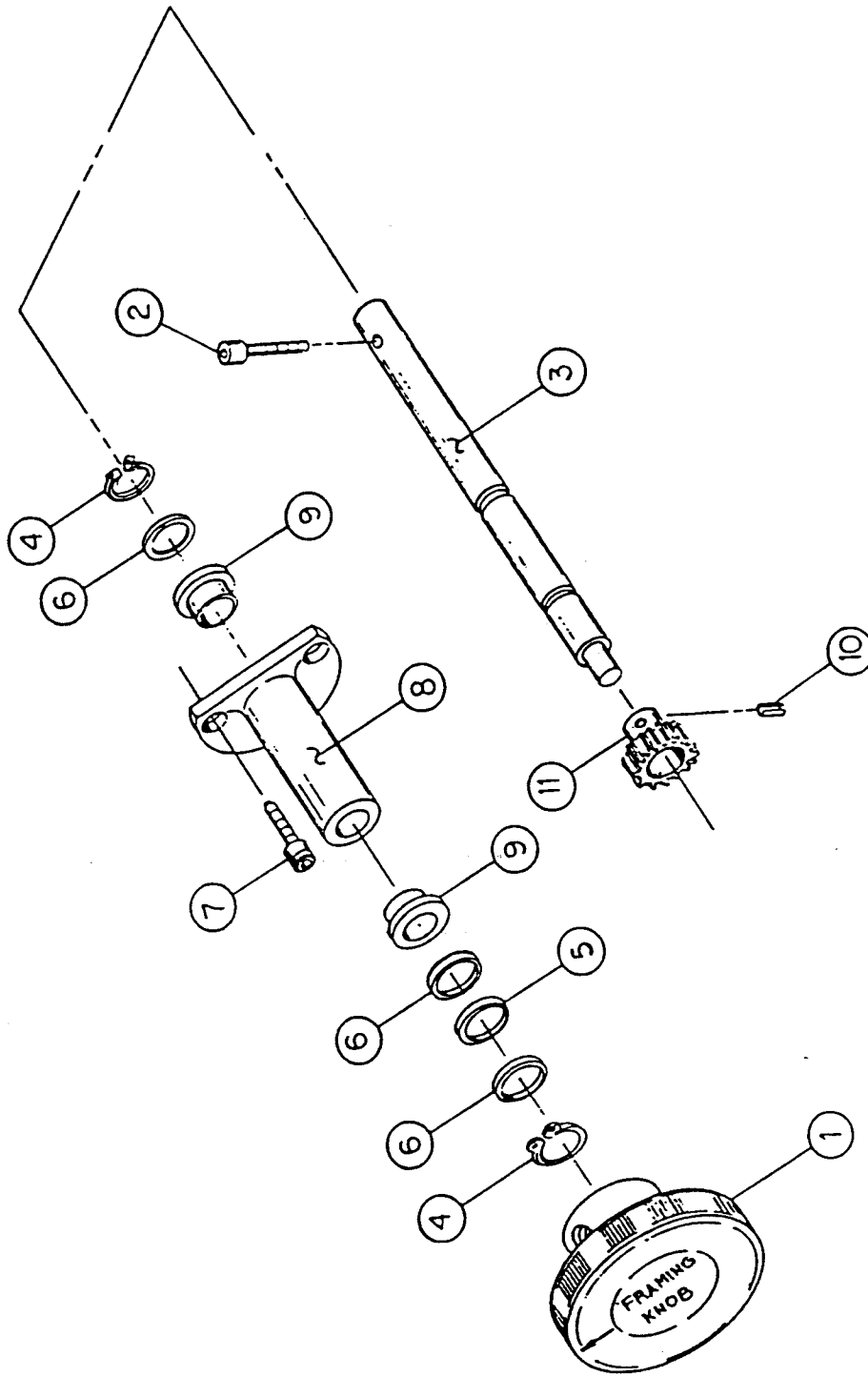


REG. # \_\_\_\_\_ ASSEMBLY NAME ASSEMBLY LOWER CONSTANT SPEED SPROCKET MODEL # P35 DATE REQ'D \_\_\_\_\_  
 W.O. # \_\_\_\_\_ QTY \_\_\_\_\_

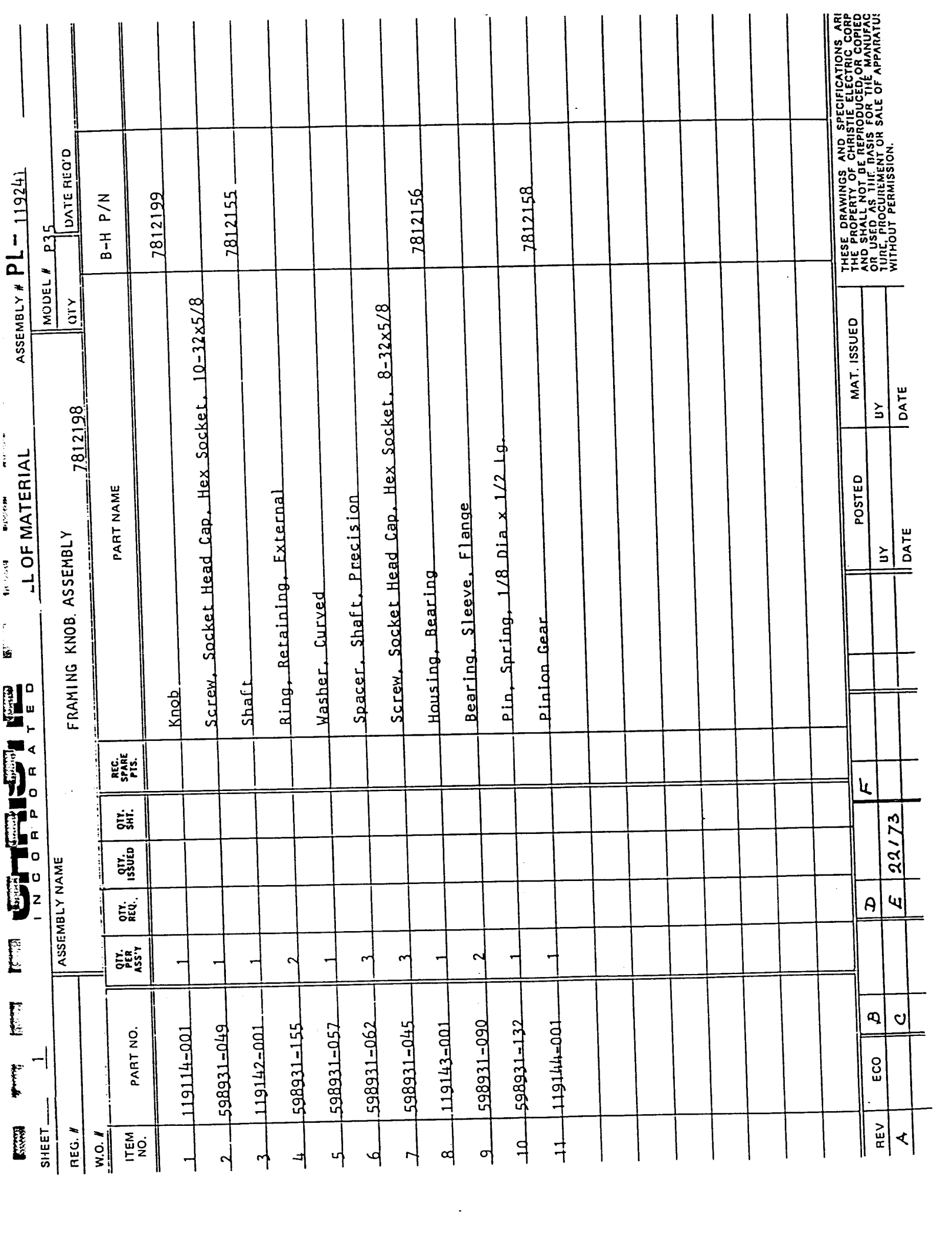
ITEM NO.	PART NO.	QTY. PER ASSY	QTY. REQ.	QTY. ISSUED	QTY. SHI.	REC. SPARE PTS.	PART NAME	B-H P/N
37	598931-194	1					Locking Thread Insert, 8-32 x .0410	
38	598931-209	1					Washer, Split Lock, #4	
39	598931-427	1					Washer, Plain Flat, Steel, #4	7812199
40	119114-001	1					Turn Down Knob	
41	598931-049	1					Screw, Socket Head Cap, Hex Socket, 10-32 x 5/8	
42	598931-155	1					Ring, External Retaining	7812120
43	119111-001	1					Take-Up Pulley	
44	598931-426	2					Screw, Flat Head 82D, Hex Socket, 10-32 x 3/4	

THESE DRAWINGS AND SPECIFICATIONS ARE THE PROPERTY OF CHRISTIE ELECTRIC CORP AND SHALL NOT BE REPRODUCED, OR COPIED OR USED AS THE BASIS FOR THE MANUFACTURE, PROCUREMENT OR SALE OF APPARATUS WITHOUT PERMISSION.

REV	ECO	POSTED	MAT. ISSUED
		BY	BY
		DATE	DATE



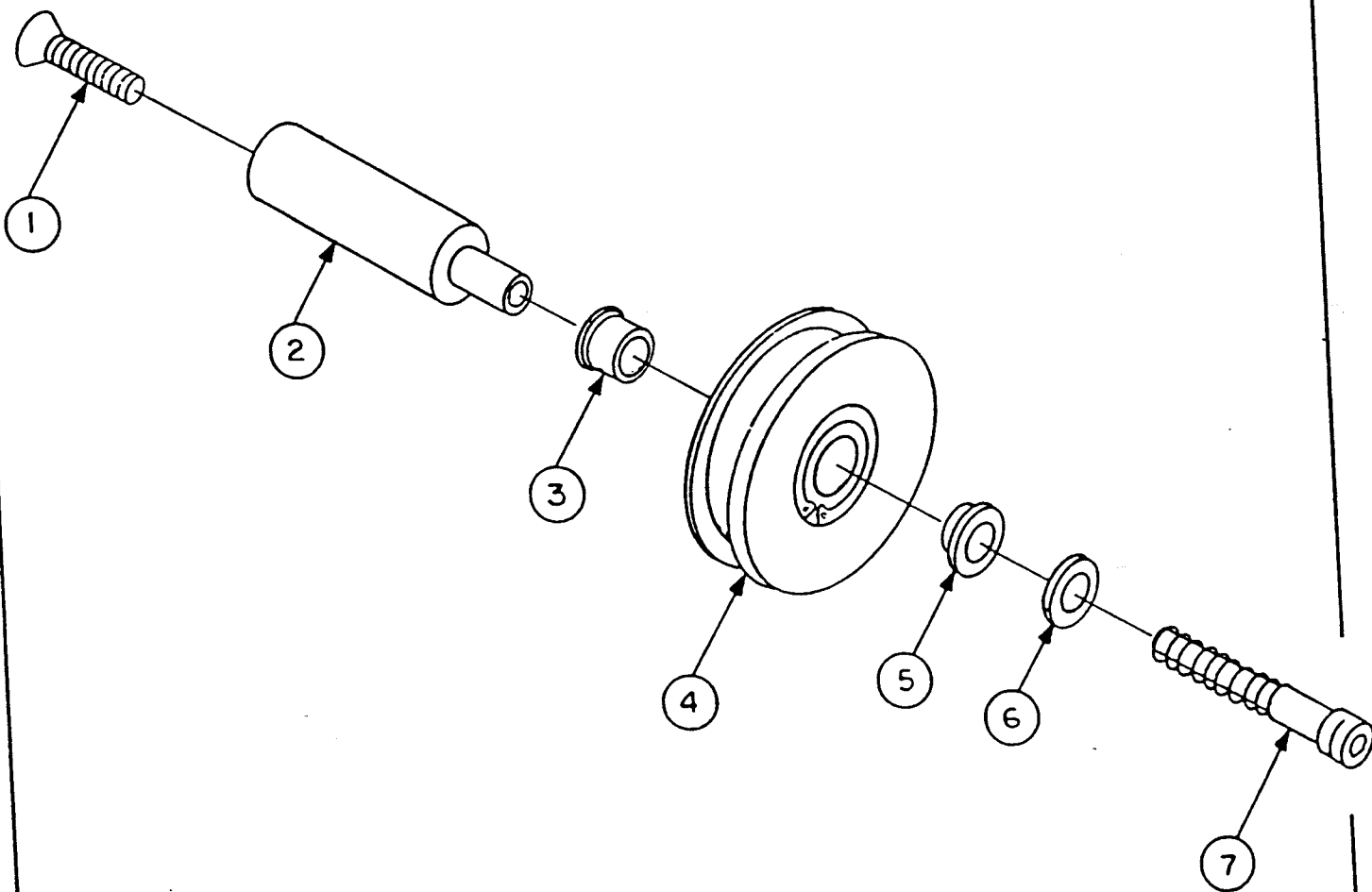
FRAMING KNOB ASSEMBLY  
119241-001



ITEM NO.	PART NO.	QTY. PER ASS'Y	QTY. REQ.	QTY. ISSUED	QTY. SMT.	REC. SPARE PTS.	PART NAME	B-H P/N
1	119114-001	1					Knob	7812199
2	598931-049	1					Screw, Socket Head Cap, Hex Socket, 10-32x5/8	7812155
3	119142-001	1					Shaft	
4	598931-155	2					Ring, Retaining, External	
5	598931-057	1					Washer, Curved	
6	598931-062	3					Spacer, Shaft, Precision	
7	598931-045	3					Screw, Socket Head Cap, Hex Socket, 8-32x5/8	7812156
8	119143-001	1					Housing, Bearing	
9	598931-090	2					Bearing, Sleeve, Flange	
10	598931-132	1					Pin, Spring, 1/8 Dia x 1/2 Lg.	7812158
11	119144-001	1					Pinion Gear	

REV	ECO	B	C	D	E	22/73	F	POSTED	MAT. ISSUED
A								UY	UY
								DATE	DATE

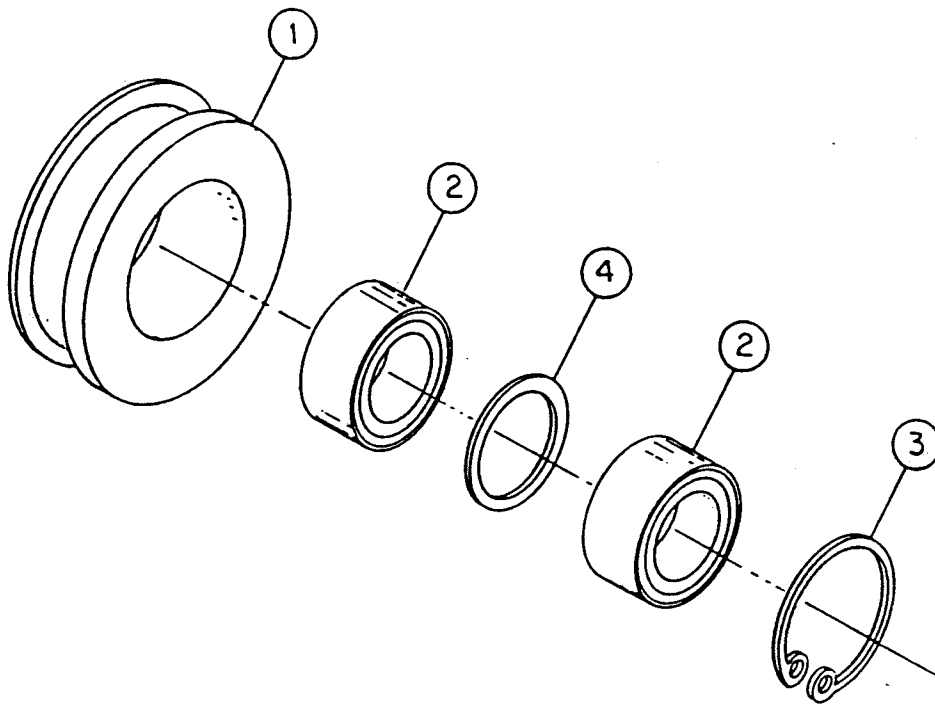
THESE DRAWINGS AND SPECIFICATIONS ARE THE PROPERTY OF CHRISTIE ELECTRIC CORP AND SHALL NOT BE REPRODUCED OR COPIED OR USED AS THE BASIS FOR THE MANUFACTURE, PROCUREMENT OR SALE OF APPARATUS WITHOUT PERMISSION.



OUTER TIMING BELT FIXED IDLER ASSEMBLY  
119242-001







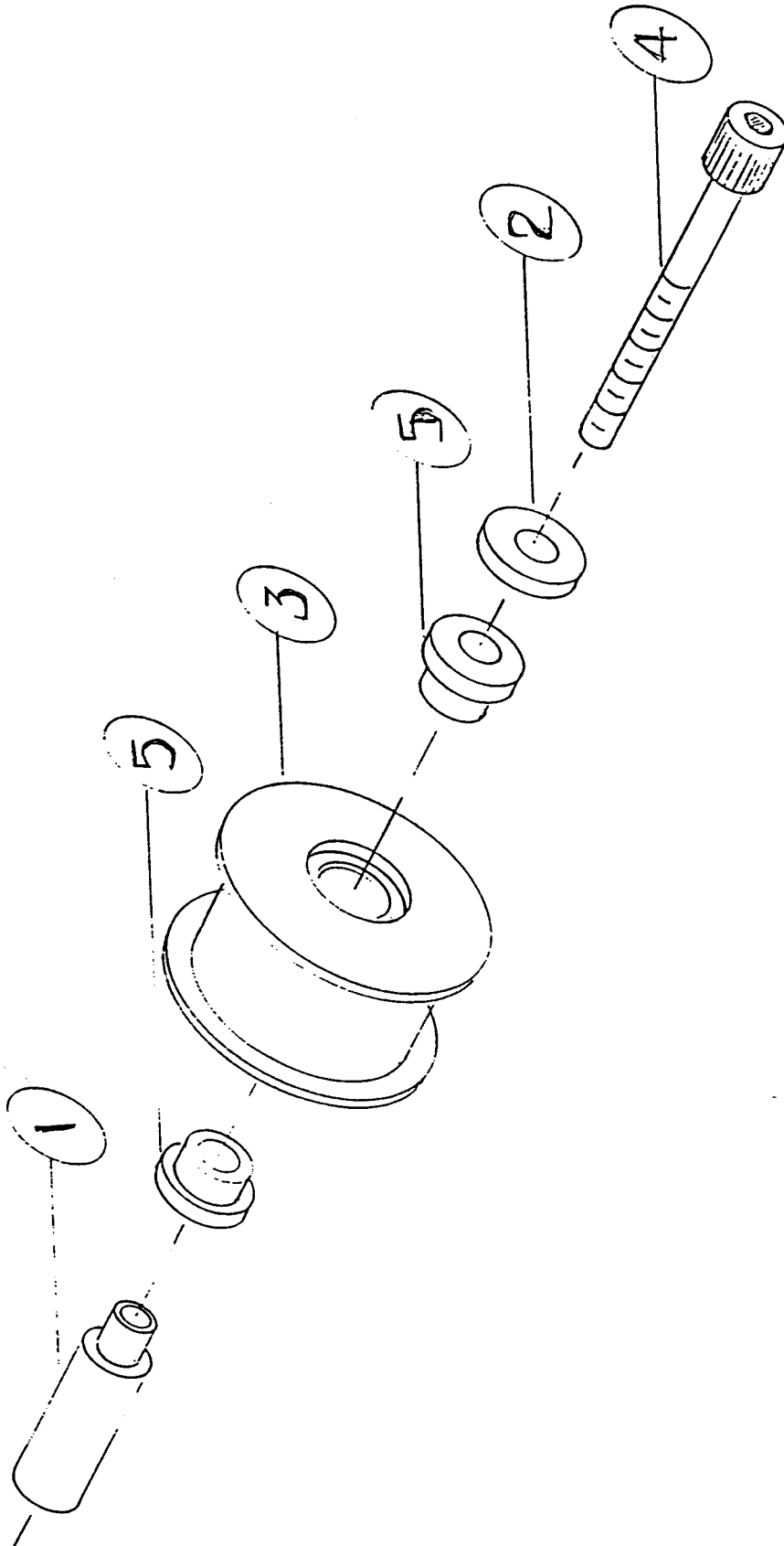
CUTTER IDLER ROLLER ASSEMBLY  
119259-001

REG. #  
 W.O. #  
 ASSEMBLY NAME  
**OUTER IDLER ROLLER ASSEMBLY**  
 7812341

ITEM NO.	PART NO.	QTY. PER ASS'Y	QTY. REQ.	QTY. ISSUED	QTY. SHIP.	REC. SPARE PIS.	PART NAME	B-H P/N	NTN
1	119283-001	1					Outer Belt Idler Roller	7812335	R8ZZ71E
2	589931-121	2					Ball Bearing		Waldev Tru
3	598931-157	1					Internal Retaining Ring		N5000-112S
4	598931-199	1					Precision Shim Spacer, .020 Thick		Allied Dev DB3D15

REVISIONS		POSTED		MATERIAL ISSUED	
REV.	ECO			BY	DATE
A	12/15/80				
B	119662				

C 19769  
 THESE DRAWINGS AND SPECIFICATIONS ARE THE PROPERTY OF CHRISTIE ELECTRIC CORP AND SHALL NOT BE REPRODUCED, OR COPIED OR USED AS THE BASIS FOR THE MANUFACTURE, PROCUREMENT OR SALE OF APPARATUS WITHOUT PERMISSION.



INNER TIMING BELT FIXED IDLER ASSEMBLY  
119243-001

REG. #

ASSEMBLY NAME

INNER TIMING BELT FIXED IDLER ASSEMBLY 7812209

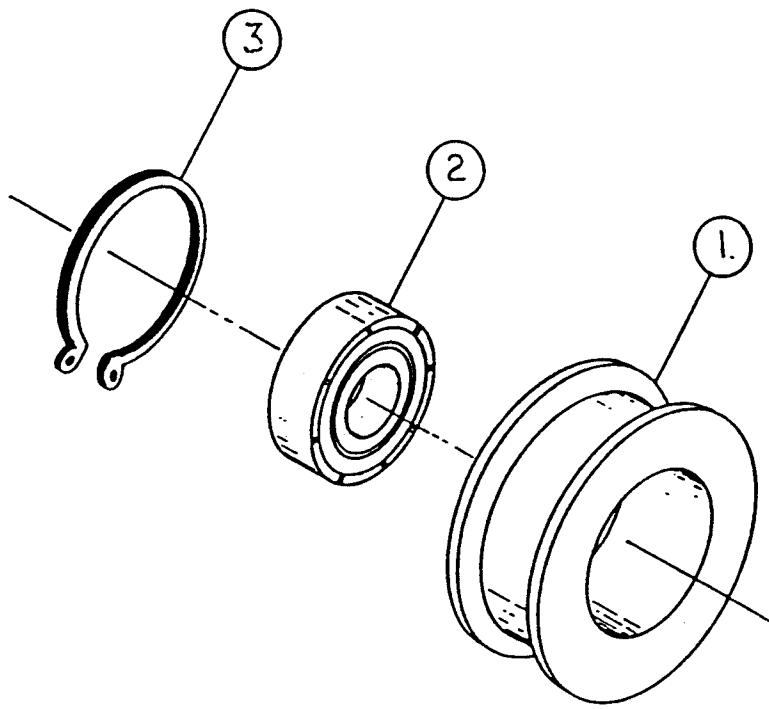
MODEL # P35  
QTY

DATE REQ'D

W.O. #	ITEM NO.	PART NO.	QTY. PER ASSY	QTY. REQ.	QTY. ISSUED	QTY. SHT.	REC. SPARE PTS.	PART NAME	B-H P/N
	1	119149-001	1					Standoff	7812228
	2	119150-001	1					Cap	7812229
	3	119260-001	1					Smooth Idler Roller Assembly	7812324
	4	598931-034	1					Screw, Socket Head Cap, Hex Head, 1/4-20 x 2-1/4	7812521
	5	121120-001	2					Isolator	

THESE DRAWINGS AND SPECIFICATIONS ARE THE PROPERTY OF CHRISTIE ELECTRIC CORP AND SHALL NOT BE REPRODUCED, COPIED OR USED AS THE BASIS FOR THE MANUFACTURE, PROCUREMENT OR SALE OF APPARATUS WITHOUT PERMISSION.

REV	ECO	POSTED	MAT. ISSUED
A		BY	BY
B	2/173	DATE	DATE



ASSEMBLY, ROLLER, SMOOTH  
INNER BELT FIXED IDLER  
119260-001

LOF MATERIAL  
 ASSEMBLY # PL- 11926  
 IN CORPORATION

ASSEMBLY NAME: INNER SMOOTH IDLER ROLLER ASSEMBLY  
 MODEL # P35  
 DATE REQ'D

ITEM NO.	W.O. #	PART NO.	QTY. PER ASSY	QTY. REQ.	QTY. ISSUED	QTY. SHI.	REC. SPARE PTS.	PART NAME	B-H P/N
1		119209-001	1					Roller Smooth Inner Timing Belt	7812227
2		598931-121	1					Ball Bearing	
3		598931-157	1					Internal Retaining Ring	

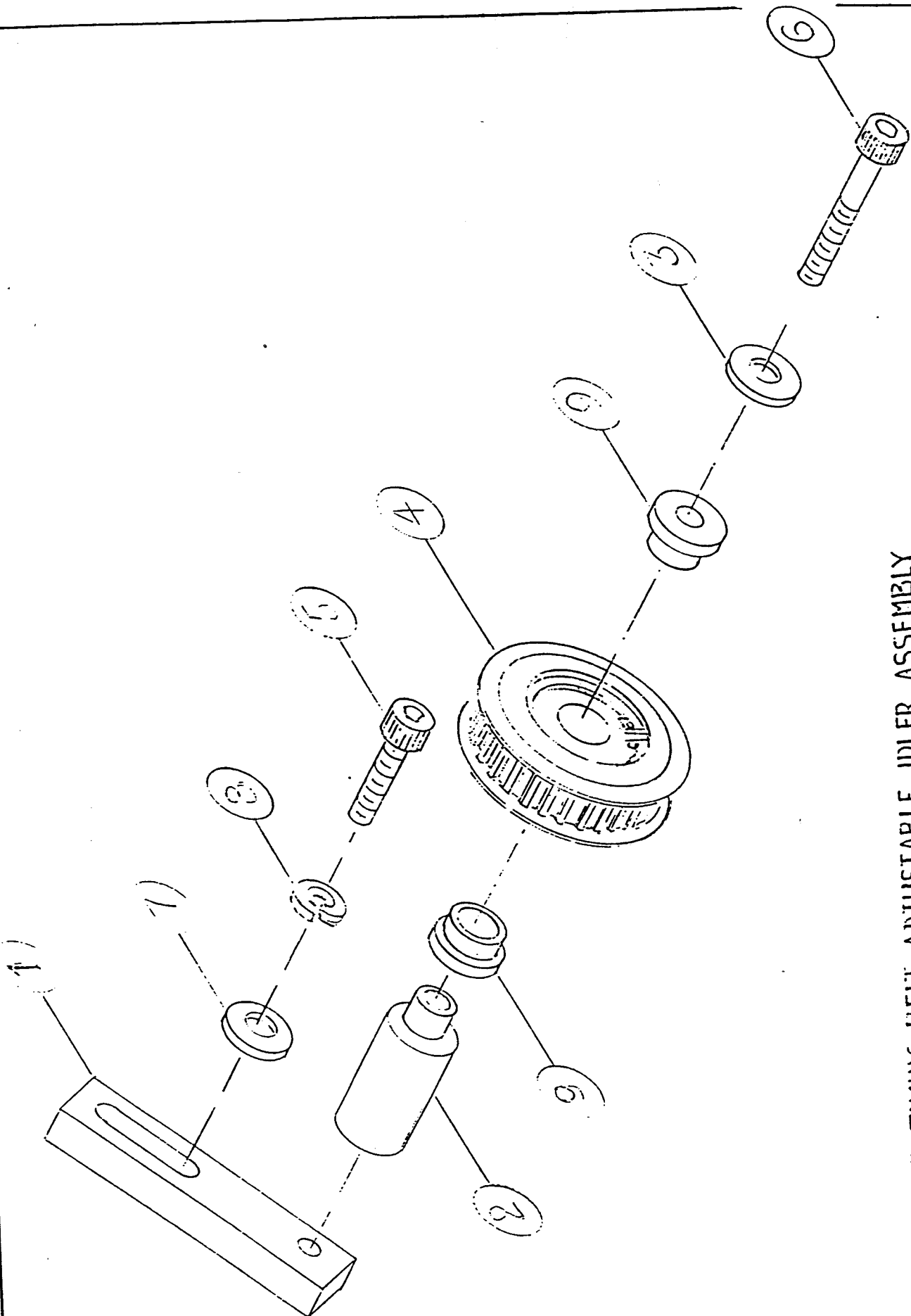
NTN  
 R8ZZ/1E  
 Valdes Truar  
 N5000-112SE

ASSEMBLY NAME: INNER SMOOTH IDLER ROLLER ASSEMBLY  
 ASSEMBLY # 7812324

REV A ECO B 19662  
 DATE 12/15/8

POSTED MAT. ISSUED  
 BY DATE

THESE DRAWINGS AND SPECIFICATIONS ARE THE PROPERTY OF CHRISTIE ELECTRIC CORP AND SHALL NOT BE REPRODUCED, COPIED OR USED AS THE BASIS FOR THE MANUFACTURE, PROCUREMENT OR SALE OF APPARATUS WITHOUT PERMISSION.



INNER TIMING BELT ADJUSTABLE IDLER ASSEMBLY  
119245-001

4/2

SHEET 1  
 IN CORPORATION  
 LLOF MATERIAL  
 ASSEMBLY # PL-11924  
 MODEL # P35  
 DATE REQ'D

REG. # 1  
 ASSEMBLY NAME  
 INNER TIMING BELT ADJUSTABLE IDLER ASSEMBLY  
 7812223

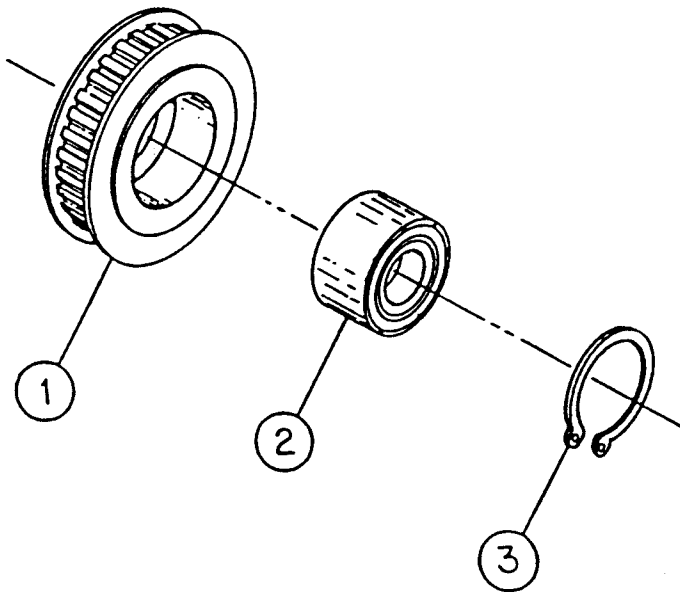
ITEM NO.	W.O. #	PART NO.	QTY. PER ASSY	QTY. REQ.	QTY. ISSUED	QTY. SHI.	REC. SPARE PIS.	PART NAME	B-H P/N
1		119152-001	1					Mounting Block	7812224
2		119153-001	1					Standoff	7812226
3		119150-001	1					Cap	7812229
4		119261-001	1					Toothed Idler Roller Assembly	7812325
5		515500-104	1					Screw, Socket Head Cap, Hex Socket, 1/4-20 x 1.0	
6		598931-357	1					Screw, Socket Head Cap, Hex Socket, 1/4-20 x 1-3/4	
7		598931-207	1					Washer, Plain Flat, #1/4	
8		598931-086	1					Washer, Split lock, #1/4	7812521
9		121120-001	2					Isolator	

THESE DRAWINGS AND SPECIFICATIONS ARE THE PROPERTY OF CHRISTIE ELECTRIC CORP AND SHALL NOT BE REPRODUCED, COPIED OR USED AS THE BASIS FOR THE MANUFACTURE, PROCUREMENT OR SALE OF APPARATUS WITHOUT PERMISSION.

REV	ECO	C	D	E	POSTED	MAT. ISSUED
A					BY	BY
B					DATE	DATE

F 22245





ASSEMBLY ROLLER TOOTHED  
119261-001

SHEET 1

REG. # \_\_\_\_\_

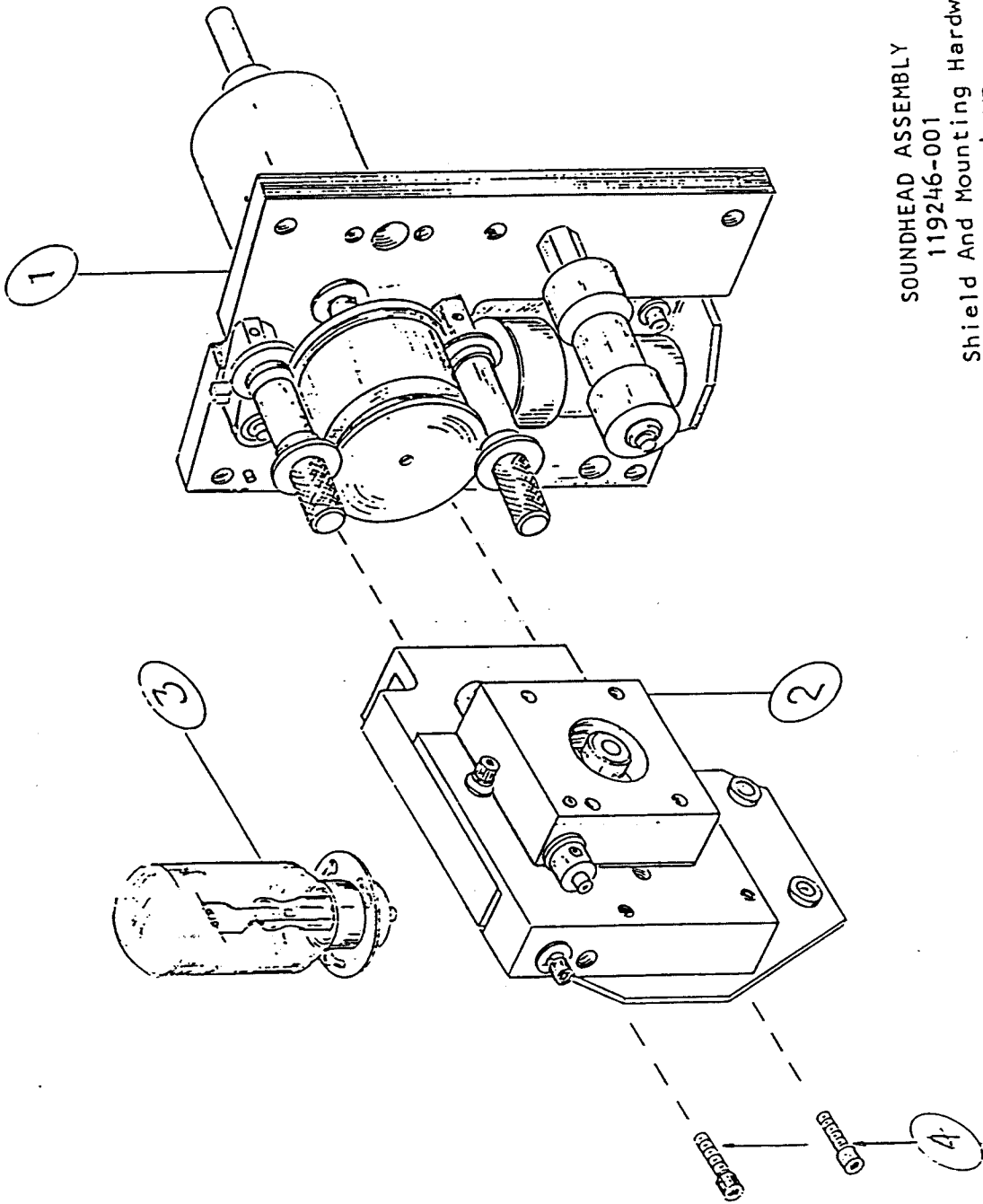
MODEL # **P35**     DATE REC'D \_\_\_\_\_

QTY \_\_\_\_\_

W.O. #	PART NO.	QTY. PER ASSY	QTY. REQ.	QTY. ISSUED	QTY. SHT.	REC. SPARE PTS.	PART NAME	B-H P/N
1	119210-001	1					Toothed Idler Roller	7812222
2	598931-121	1					Ball Bearing	
3	598931-157	1					Internal Retaining Ring	

REV	ECO	B	19662	POSTED	MAT. ISSUED
A					

THESE DRAWINGS AND SPECIFICATIONS ARE THE PROPERTY OF CHRISTIE ELECTRIC CORP AND SHALL NOT BE REPRODUCED, OR COPIED OR USED AS THE BASIS FOR THE MANUFACTURE, PROCUREMENT OR SALE OF APPARATUS WITHOUT PERMISSION.



SOUNDHEAD ASSEMBLY  
119246-001  
Shield And Mounting Hardware  
not shown.

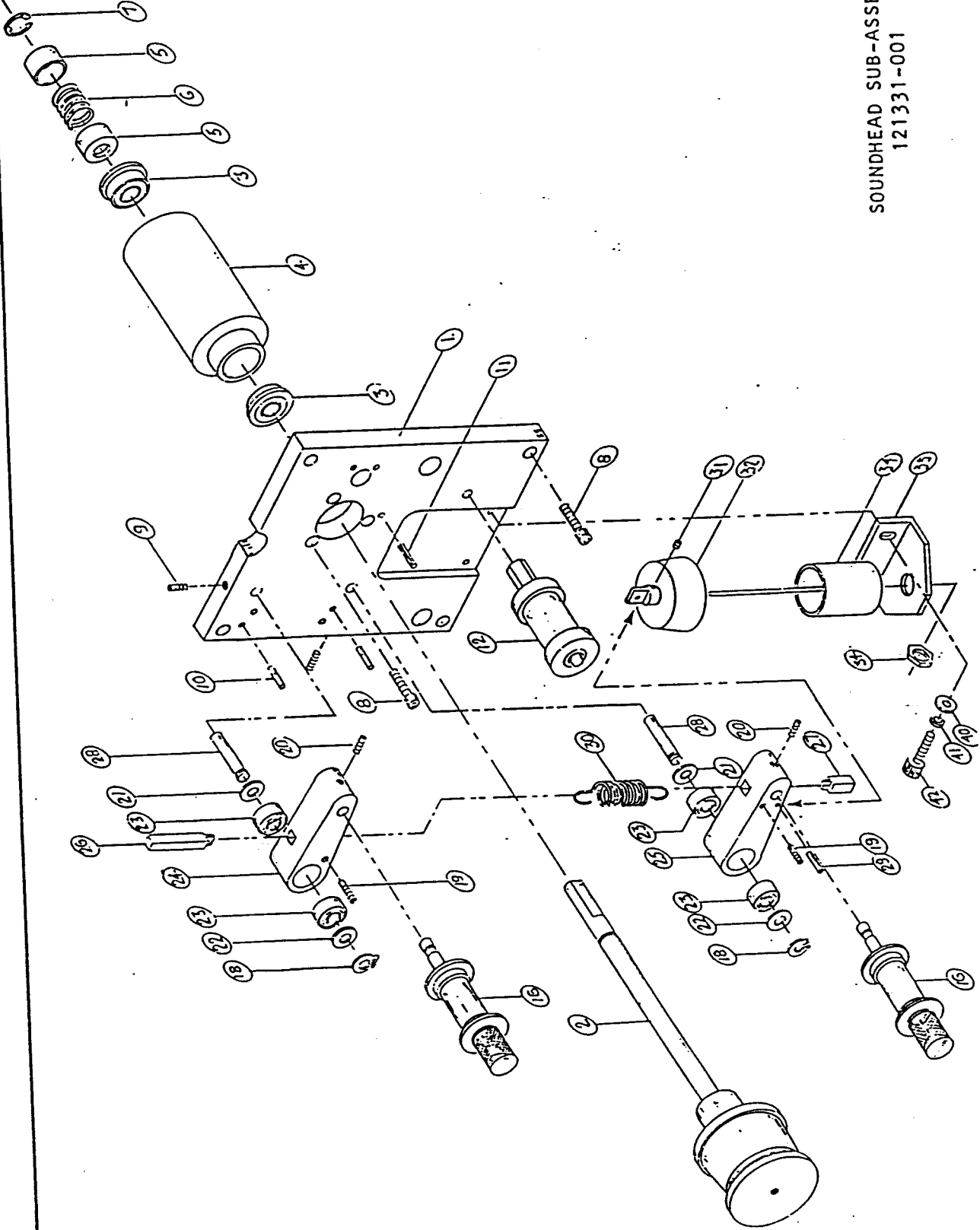
**LL OF MATERIAL**  
**SOUNDHEAD ASSEMBLY**  
 ASSEMBLY NAME

ITEM NO.	PART NO.	QTY. PER ASS'Y	QTY. REQ.	QTY. ISSUED	QTY. SHT.	REC. SPARE PIS.	PART NAME	B-H P/N
1	121331-001	1					Soundhead Sub-Assembly	7812630
2	121326-001	1					Exciter Lamp & Scanning Lens Mounting Assembly	
3	119215-001	1					Lamp, Exciter	
4	598931-045	2					Screw, Socket Head Cap, Hex Socket, 8-32 x 5/8	
5	194434-001	1					Cover, Front, Exciter Lamp Area	
6	515200-060	2					Nut, Keps, Steel, 4-40, Black Oxide	
7	515500-099	2					Screw, Socket Head Cap, Hex Socket, 8-32 x 1/4	
8	598931-249	2					Screw, Button Head, Hex Socket, 4-40 x 1/4	
9	598931-278	2					Screw, Button Head, Hex Socket, 6-32 x 1/4	

THESE DRAWINGS AND SPECIFICATIONS ARE THE PROPERTY OF GENERAL ELECTRIC COMPANY AND SHALL NOT BE REPRODUCED, COPIED OR USED AS THE BASIS FOR THE MANUFACTURE, PROCUREMENT OR SALE OF APPARATUS WITHOUT PERMISSION.

REV	ECO	B	C	D	E	F	G	H	POSTED	MAT. ISSUED
A			22173	22274	22358	22373	22375		BY	DATE

SOUNDHEAD SUB-ASSEMBLY  
121331-001



REG. #		ASSEMBLY NAME		DATE REC'D				
W.O. #		SOUNDHEAD SUB_ASSEMBLY		MODEL #	P35			
ITEM NO.	PART NO.	QTY. PER ASSY	QTY. REQ.	QTY. ISSUED	QTY. SHI.	REC. SPARE PTS.	PART NAME	DATE REC'D
1	119157-001	1					Plate Sound Head	7812234
2	598931-110	1					Sound Drum	
3	598931-122	2					Ball Bearing	7812235
4	119158-001	1					Housing, Bearing, Sound Drum	
5	119169-001	2					Cup, Preload Spring, Sound Drum	7812303
6	598931-140	1					Spring, Compression	
7	598931-156	1					1/2" Ring	
8	598931-045	7					Screw, Socket Head Cap, Hex Socket, 8-32 X 5/8	Allen
9	598931-024	2					Screw, Set, Hex Socket, Cup Point, 8-32 X 3/8	Allen
10	598931-017	2					Pin, Dowel, 1/8 Dia X 1/2 Inch Long	Almetal
11	598931-132	1					Pin, Spring, 1/8 Dia X 1/2 Inch	Almetal
12	121052-001	1					By-pass Roller Assembly, Sound Head	
13								
14								
15								
16	121312-001	2					Lateral Guide Roller Assembly	7812294
17								
18	598931-154	2					Ring, Retainer, External	

THESE DRAWINGS AND SPECIFICATIONS ARE THE PROPERTY OF CHRISTIE ELECTRIC CO. AND SHALL NOT BE REPRODUCED, COPIED OR USED AS THE BASIS FOR THE MANUFACTURE, PROCUREMENT OR SALE OF APPARATUS WITHOUT PERMISSION.

HEV	ECO	POSTED	MAT. ISSUED
A	22373	BY	BY
		DATE	DATE

SOUNDHEAD SUB - ASSEMBLY

DATE REQ'D

QTY

ASSEMBLY NAME

PART NO.	QTY. PER ASSY	QTY. REQ.	QTY. ISSUED	QTY. SHIP.	REC. SPARE PPS.	PART NAME	B-H P/N	Supplier
598931-021	2					Screw, Set, Hex Socket, Cup Point, 6-32 x 1/4		Allen
598931-023	2					Screw, Set, Hex Socket, Cup Point, 8-32 x 3/16		Allen Allied Dev. DB3D5
598931-064	2					Spacer, Shim		Allen Allied Dev. DB3D4
598931-063	2					Spacer, Shim		New Hampshire R1883PP/7
598931-125	4					Ball Bearing	7812231	
119154-001	1					Arm, Upper, Sound Head	7812232	
119155-001	1					Arm, Lower, Sound Head	7812241	
119161-001	1					Bar, Adjusting, Upper Arm, Sound Head	7812327	
119167-001	1					Bar, Spring, Lower Arm, Sound Head	7812243	
119163-001	2					Shaft, Arm Pivot, Sound Head		Almetal
598931-069	2					Pin, Dowel, 1/16 Dia x 3/8 inch long		Lee Spring LE-020B-4MW
598931-145	1					Spring, Extension		Allen
598931-026	1					Screw, Set, Hex Socket, Cup Point, 4-40 x 1/8	7812233	
119156-001	1					Assembly Dash Pot Shield		
598931-052	1					Air Pot		Airpot Corp. P/N 49915-1
119160-001	1					Bracket Dash Pot, Sound head	7812240	
119292-001	1					Washer, Clamp, Dash Pot	7812125	

THESE DRAWINGS AND SPECIFICATIONS ARE THE PROPERTY OF CHRISTIE ELECTRIC CORP. AND SHALL NOT BE REPRODUCED, OR COPIED, OR USED AS THE BASIS FOR THE MANUFACTURE, PROCUREMENT OR SALE OF APPARATUS WITHOUT PERMISSION.

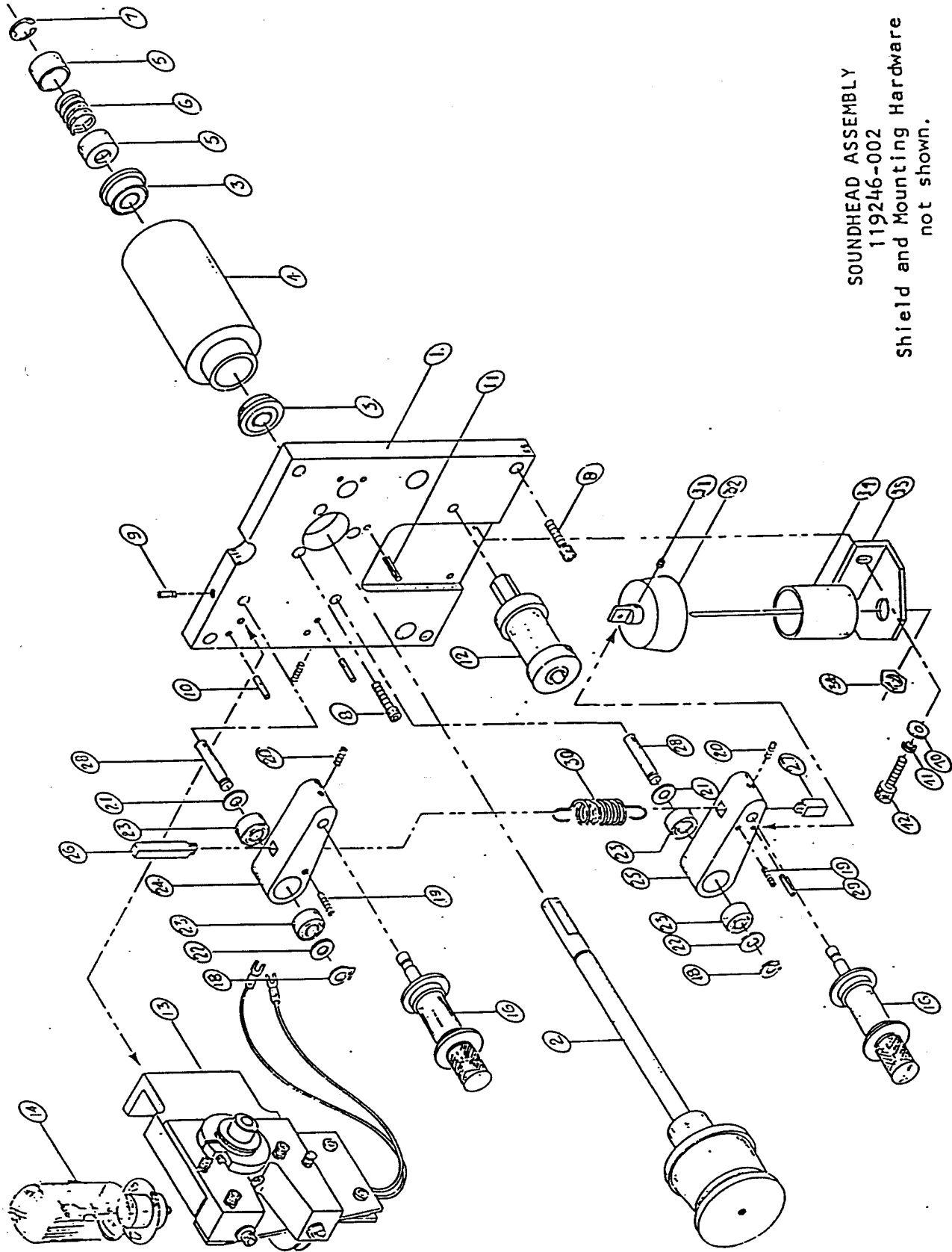
ECO	POSTED	MAT. ISSUED
BY	BY	DATE

REG. #	W.O. #	PART NO.	QTY. REQ. ASSY	QTY. REC.	QTY. ISSUED	QTY. SHIP.	REC. SPARE PIS.	PART NAME	B-H P/N
		598931-427	1					Washer, Plain Flat, Steel, //4	
		598931-209	1					Washer, Spring Lock, //4	
		598931-039	1					Screw, Socket Head Cap, Hex Socket, 4-40 x 3/8	Allen
		598931-068	2					Washer, Plain Flat, Steel, //6	
		598931-083	2					Washer, Spring Lock, //6	Allen
		598931-041	2					Screw, Socket Head, Hex Socket, 6-32 x 3/8	

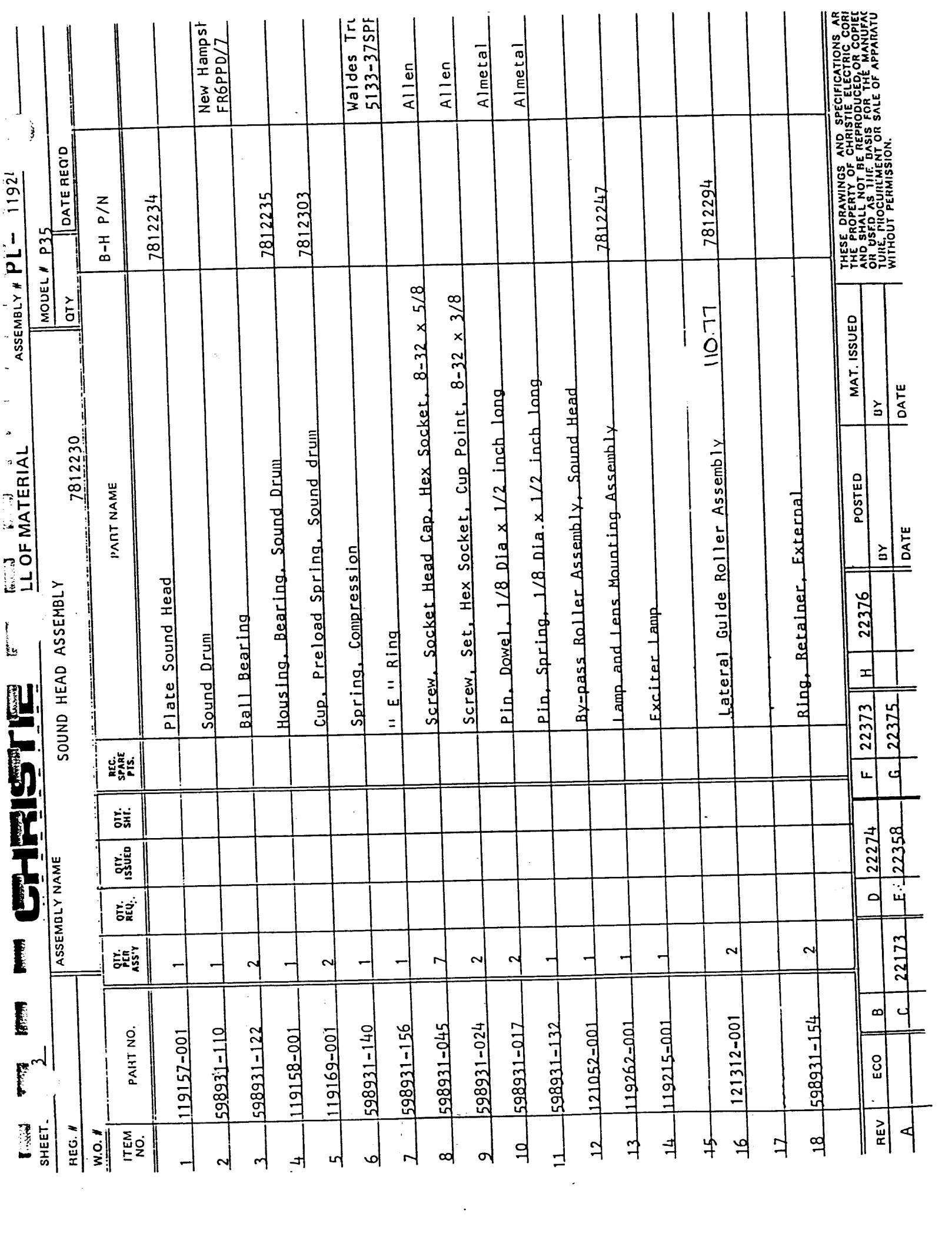
THESE DRAWINGS AND SPECIFICATIONS ARE THE PROPERTY OF CHRISTIE ELECTRIC CO AND SHALL NOT BE REPRODUCED OR COPIED OR USED AS THE BASIS FOR THE MANUFACTURE, PROCUREMENT OR SALE OF APPARATUS WITHOUT PERMISSION.

REV	ECO								
		POSTED							
		BY							
		DATE							





SOUNDHEAD ASSEMBLY  
 119246-002  
 Shield and Mounting Hardware  
 not shown.



REG. #	ASSEMBLY NAME	MODEL #	QTY	DATE REQ'D				
W.O. #	SOUND HEAD ASSEMBLY	P35						
ITEM NO.	PAHT NO.	QTY. PER ASSY	QTY. REQ.	QTY. ISSUED	QTY. SHF.	REC. SPARE PIS.	PART NAME	B-H P/N
1	119157-001	1					Plate Sound Head	7812234
2	598931-110	1					Sound Drum	
3	598931-122	2					Ball Bearing	7812235
4	119158-001	1					Housing, Bearing, Sound Drum	7812303
5	119169-001	2					Cup, Preload Spring, Sound drum	
6	598931-140	1					Spring, Compression	
7	598931-156	1					" E " Ring	Waldes Trl 5133-37SPF
8	598931-045	7					Screw, Socket Head Cap, Hex Socket, 8-32 x 5/8	Allen
9	598931-024	2					Screw, Set, Hex Socket, Cup Point, 8-32 x 3/8	Allen
10	598931-017	2					Pin, Dowel, 1/8 Dia x 1/2 inch long	Almetal
11	598931-132	1					Pin, Spring, 1/8 Dia x 1/2 inch long	
12	121052-001	1					By-pass Roller Assembly, Sound Head	7812247
13	119262-001	1					Lamp and Lens Mounting Assembly	
14	119215-001	1					Exciter Lamp	
15							Lateral Guide Roller Assembly	7812294
16	121312-001	2						
17							Ring, Retainer, External	
18	598931-154	2						

THESE DRAWINGS AND SPECIFICATIONS ARE THE PROPERTY OF CHRISTIE ELECTRIC CORP AND SHALL NOT BE REPRODUCED, OR COPIED OR USED AS THE BASIS FOR THE MANUFACTURE, PROCUREMENT OR SALE OF APPARATUS WITHOUT PERMISSION.

REV	ECO	B	C	D	E	F	G	H	POSTED	MAT. ISSUED
A			22173	22274	22358	22373	22375	22376		
									BY	DATE

SOUND HEAD ASSEMBLY 7812230

QTY DATE REQ'D

ASSEMBLY NAME	QTY. PER ASSY	QTY. REQ.	QTY. ISSUED	QTY. SHI.	REC. SPARE PIS.	PART NAME	B-H P/N
	2					Screw, Set, Hex Socket, Cup Point, 6-32 x 1/4	Allen
598931-021	2					Screw, Set, Hex Socket, Cup Point, 8-32 x 3/16	Allen
598931-023	2					Spacer, Shim	Allied Dev. DB3D5
598931-064	2					Spacer, Shim	Allied Dev. DB3D4
598931-063	2					Ball Bearing	New Hampshire R1883PP/7
598931-125	4					Arm, Upper, Sound Head	7812231
119154-001	1					Arm, Lower, Sound Head	7812232
119155-001	1					Bar, Adjusting, Upper Arm, Sound Head	7812241
119161-001	1					Bar, Spring, Lower Arm, Sound Head	7812327
119167-001	1					Shaft, Arm Pivot, Sound Head	7812243
119163-001	2					Pin, Dowel, 1/16 Dia x 3/8 inch long	Almetal
598931-069	2					Spring, Extension	Lee Spring LE-020B-4MW
598931-145	1					Screw, Set, Hex Socket, Cup Point, 4-40 x 1/8	Allen
598931-026	1					Assembly Dash Pot Shield	7812233
119156-001	1					Air Pot	Airpot Corp. P/N 49915-1
598931-052	1					Bracket Dash Pot, Sound head	7812240
119160-001	1						

THESE DRAWINGS AND SPECIFICATIONS ARE THE PROPERTY OF CHRISTIE ELECTRIC CORP. AND SHALL NOT BE REPRODUCED OR COPIED, OR USED AS THE BASIS FOR THE MANUFACTURE, PROCUREMENT OR SALE OF APPARATUS WITHOUT PERMISSION.

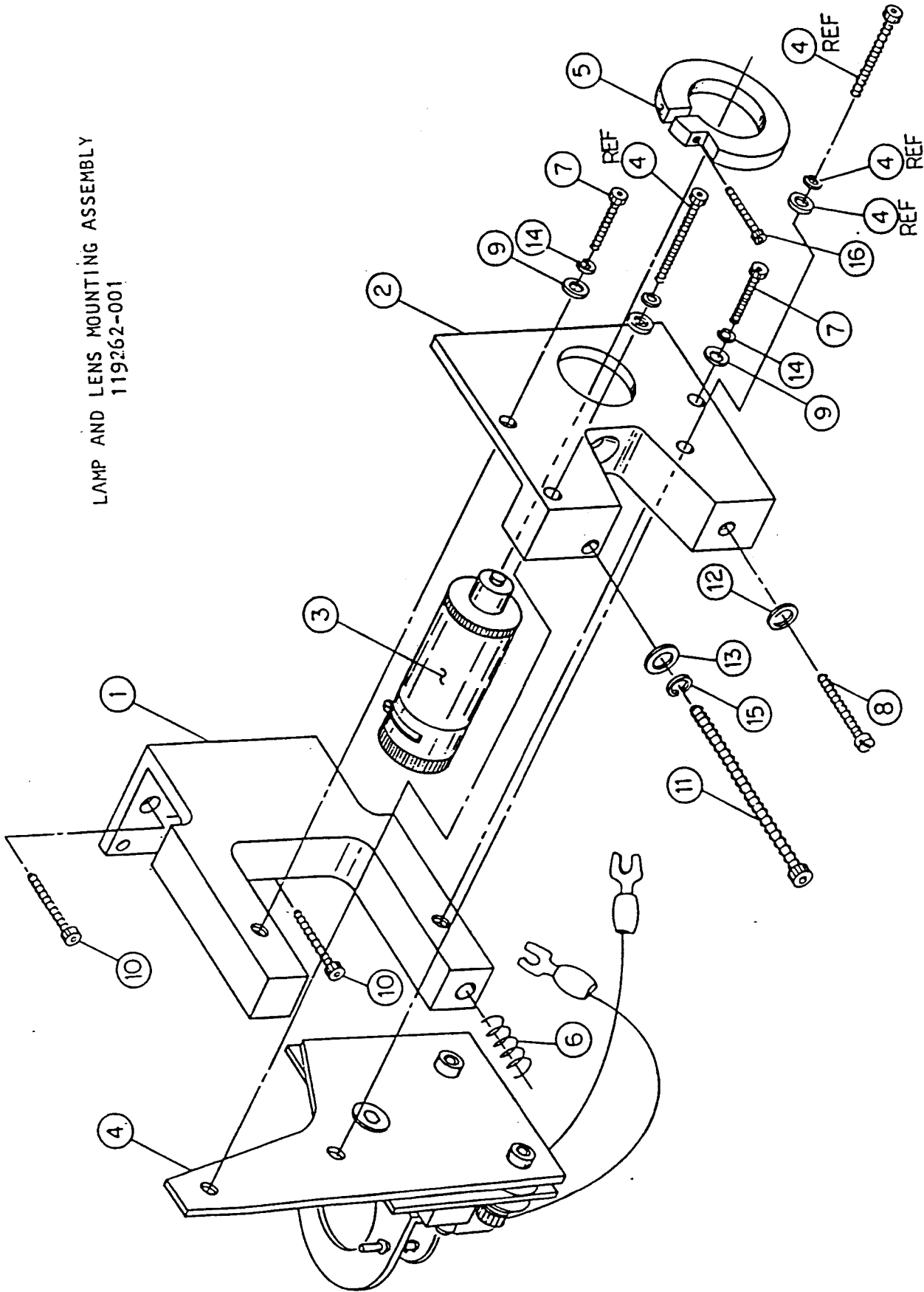
ECO	POSTED	MAT. ISSUED
	BY	DATE

REG. #		ASSEMBLY NAME		7812230		DATE REQ'D	
W.O. #		PART NAME		MODEL # P35		QTY	
ITEM NO.	PART NO.	QTY. PER ASSY	QTY. REQ.	QTY. ISSUED	QTY. SHI.	REC. SPARE PIS.	B-H P/N
37							
38							Allen
39							
40	598931-068	2					Washer, Plain Flat, Steel, #6
41	598931-083	2					Washer, Spring Lock, #6
42	598931-041	2					Screw, Socket Head, Hex Socket, 6-32 x 3/8
43	119043-001	1					Cover, Front, Exciter Lamp Area
44	515200-060	2					Nut, Keps, Steel, 4-40, Black Oxide
45	515500-099	2					Screw, Socker Head Cap, Hex Socket, 8-32 x 1/4
46	598931-249	2					Screw, Button Head, Hex Socket, 4-40 x 1/4
47	598931-278	2					Screw, Button Head, Hex Socket, 6-32 x 1/4

THESE DRAWINGS AND SPECIFICATIONS ARE THE PROPERTY OF CHRISTIE ELECTRIC CORP AND SHALL NOT BE REPRODUCED, OR COPIED OR USED AS THE BASIS FOR THE MANUFACTURE, PROCUREMENT OR SALE OF APPARATUS WITHOUT PERMISSION.

REV	ECO	POSTED	MAT. ISSUED
		BY	BY
		DATE	DATE

LAMP AND LENS MOUNTING ASSEMBLY  
119262-001



REG. # \_\_\_\_\_ ASSEMBLY NAME **Lamp and Lens Mounting Assembly** MODEL # **P 35** DATE REQ'D \_\_\_\_\_

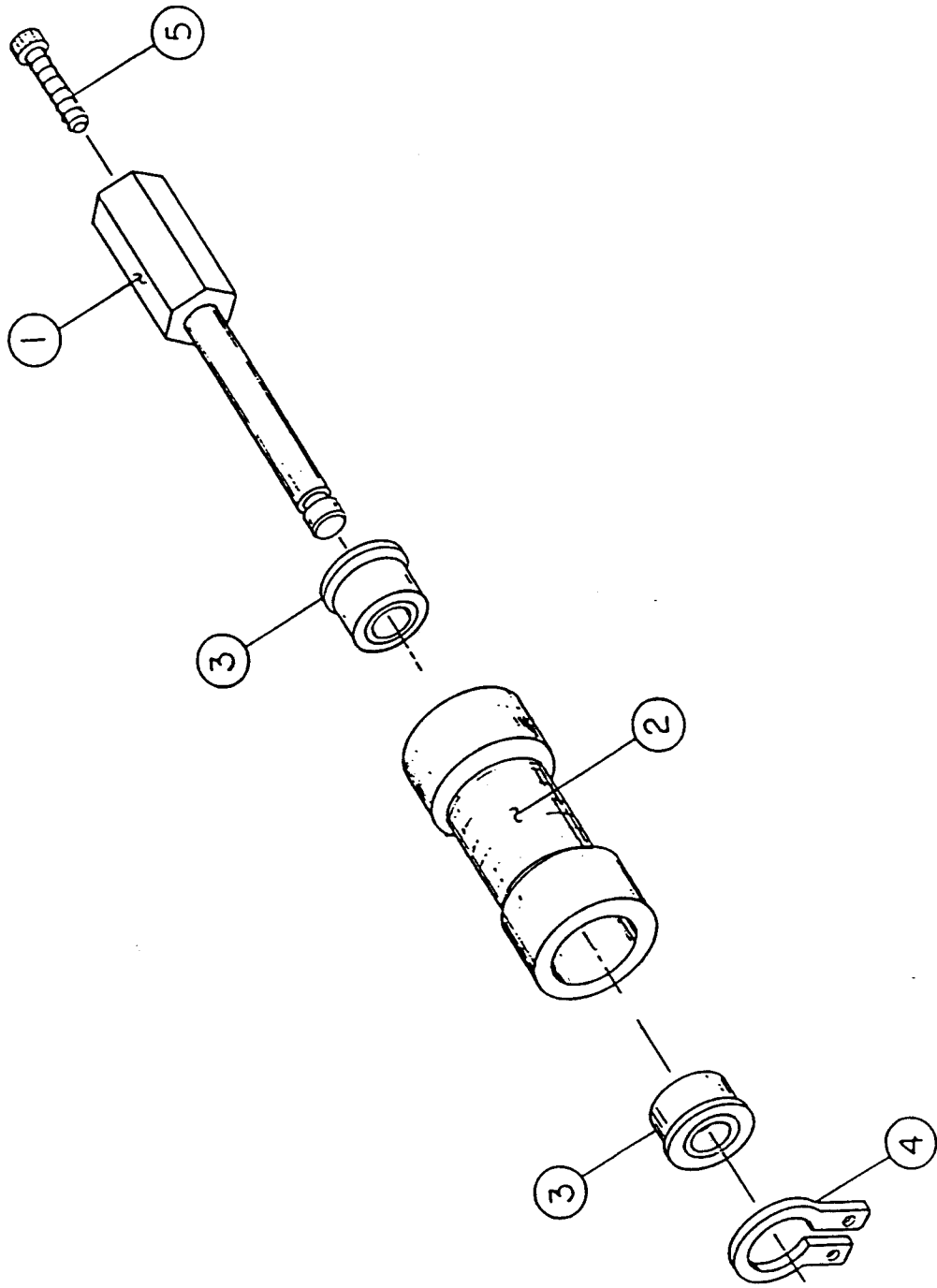
ITEM NO.	PART NO.	QTY. PER ASS'Y	QTY. REQ.	QTY. ISSUED	QTY. SHI.	REG. SPARE PIS.	PART NAME	B-II P/N
1	119170-001	1					Base, Exciter Lamp and Scanning Lens	7812246
2	119171-001	1					Block, Exciter Lamp and Scanning Lens	7812264
3	119175-001	1					Scanning Lens	
4	119267-001	1					Exciter Lamp Mounting Assembly	
5	119172-001	1					Collar Focus Lock Scan Lens	7812293
6	598931-138	1					Spring Compression	
7	598931-044	2					Screw, Socket Head Cap, Hex Socket, 8-32x1/2	
8	598931-067	1					Screw, Fil. Head, Slotted 6-32x3/4	
9	515819-303	2					Washer, Flat, #8 Stainless Steel	
10	598931-045	2					Screw, Socket Head Cap, Hex Socket 8-32x5/8	
11	598931-051	1					Screw, Socket Head Cap, Hex Socket 10-32x2	
12	598931-068	1					Washer, Plain Flat, #8	
13	598931-076	1					Washer, Plain Flat, #10	
14	598931-084	2					Washer, Split Lock, #8	
15	598931-085	1					Washer, Split Lock, #10	
16	598931-040	1					Screw, Socket Head Cap, Hex Socket, 4-40 x 5/8	

REV ECO B C 22279

POSTED MAT. ISSUED

BY BY DATE DATE

THESE DRAWINGS AND SPECIFICATIONS ARE THE PROPERTY OF CHRISTIE ELECTRIC CORP AND SHALL NOT BE REPRODUCED, OR COPIED OR USED AS THE BASIS FOR THE MANUFACTURE, PROCUREMENT OR SALE OF APPARATUS WITHOUT PERMISSION.



BY-PASS ROLLER ASSEMBLY  
121052-001  
(SOUNDHEAD)







REG. # \_\_\_\_\_ ASSEMBLY NAME **CHANGEOVER DOUSER LIGHT BAFFLE ASSEMBLY** 7812274

ITEM NO.	W.O. #	PART NO.	QTY. PER ASS'Y	QTY. REQ.	QTY. ISSUED	QTY. SHI.	REG. SPARE PIS.	PART NAME	B-H P/N
1		119186-001	1					Primary And Secondary Light Baffle	7812275
2		119190-001	1					Third Light Baffle	7812279
3		119188-001	1					Douser Guide (rear) And Fourth Light Baffle	7812277
4		119187-001	1					Douser Guide (forward) And Final Light Baffle	7812276
5		119189-001	1					Douser Guide (left side) And Spacer	7812278
6		119194-001	1					Douser Guide (right side) And Spacer	7812284
7		119263-001	1					Douser Assembly ( REFERENCE ONLY!!)	7812309
8		598931-417	2					Screw, Mach., Pan Head, Phill. 8-32 x 9/16	
9		598931-080	4					Screw, Mach., Pan Head, Phill. 8-32 x 7/8	
10		598931-073	12					Nut, Hex, 8-32, Steel	
11		598931-084	16					Washer, Split Lock, #8	7812281
12		119191-001	2					Spacer, Primary And Secondary	
13		598931-418	2					Screw, Mach., Pan Head, Phill. 8-32 x 1-3/4	
14		598931-078	8					Screw, Mach., Pan Head, Phill. 8-32 x 3/8	7812283
15		119193-001	4					Stand-off, Third Baffle	
16		598931-074	16					Washer, Plain Flat, #8	

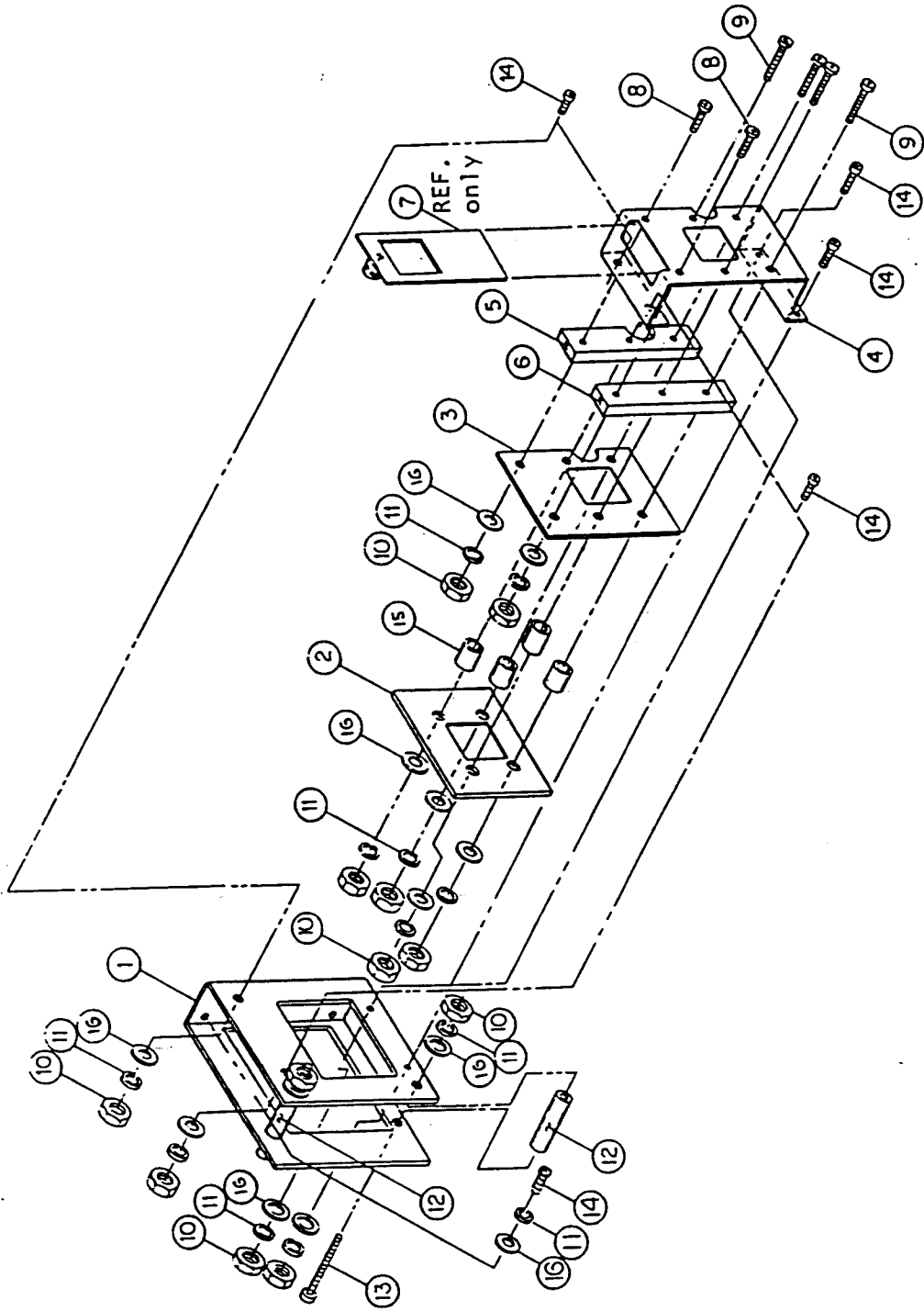
REV ECO B 22010

A 90/82

POSTED BY DATE

MAT. ISSUED BY DATE

THESE DRAWINGS AND SPECIFICATIONS ARE THE PROPERTY OF CHRISTIE ELECTRIC CORP AND SHALL NOT BE REPRODUCED, OR COPIED OR USED AS THE BASIS FOR THE MANUFACTURE, PROCUREMENT OR SALE OF APPARATUS WITHOUT PERMISSION.



CHANGEOVER DOUSER AND LIGHT BAFFLE ASSEMBLY  
119249-001

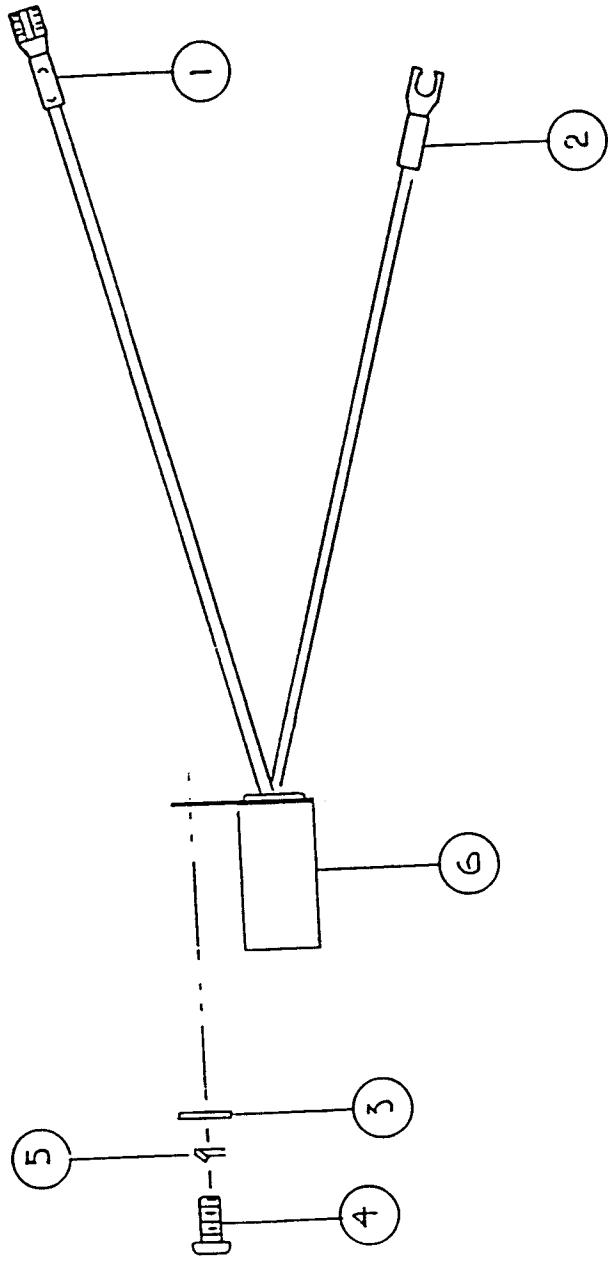
REG. # \_\_\_\_\_ W.O. # \_\_\_\_\_  
 ASSEMBLY NAME **FRAMING LIGHT ASSEMBLY** MODEL # **P35** QTY \_\_\_\_\_ DATE REQ'D \_\_\_\_\_

ITEM NO.	PART NO.	QTY. PER ASSY.	QTY. REQ.	QTY. ISSUED	QTY. SHT.	REC. SPARE PIS.	PART NAME
1	583218-011	1					Lug, Quick Connect, 22-18AWG.
2	583218-016	1					Lug, Spade, 22-18AWG, No. 6
3	598931-074	1					Washer, Flat #/8
4	598931-078	1					Screw, Pan Head, Phillips, 8-32 x 3/8
5	598931-084	1					Washer, Split Lock #/8
6	598931-102	1					Bulb Socket (wires attached)

REV	ECO											

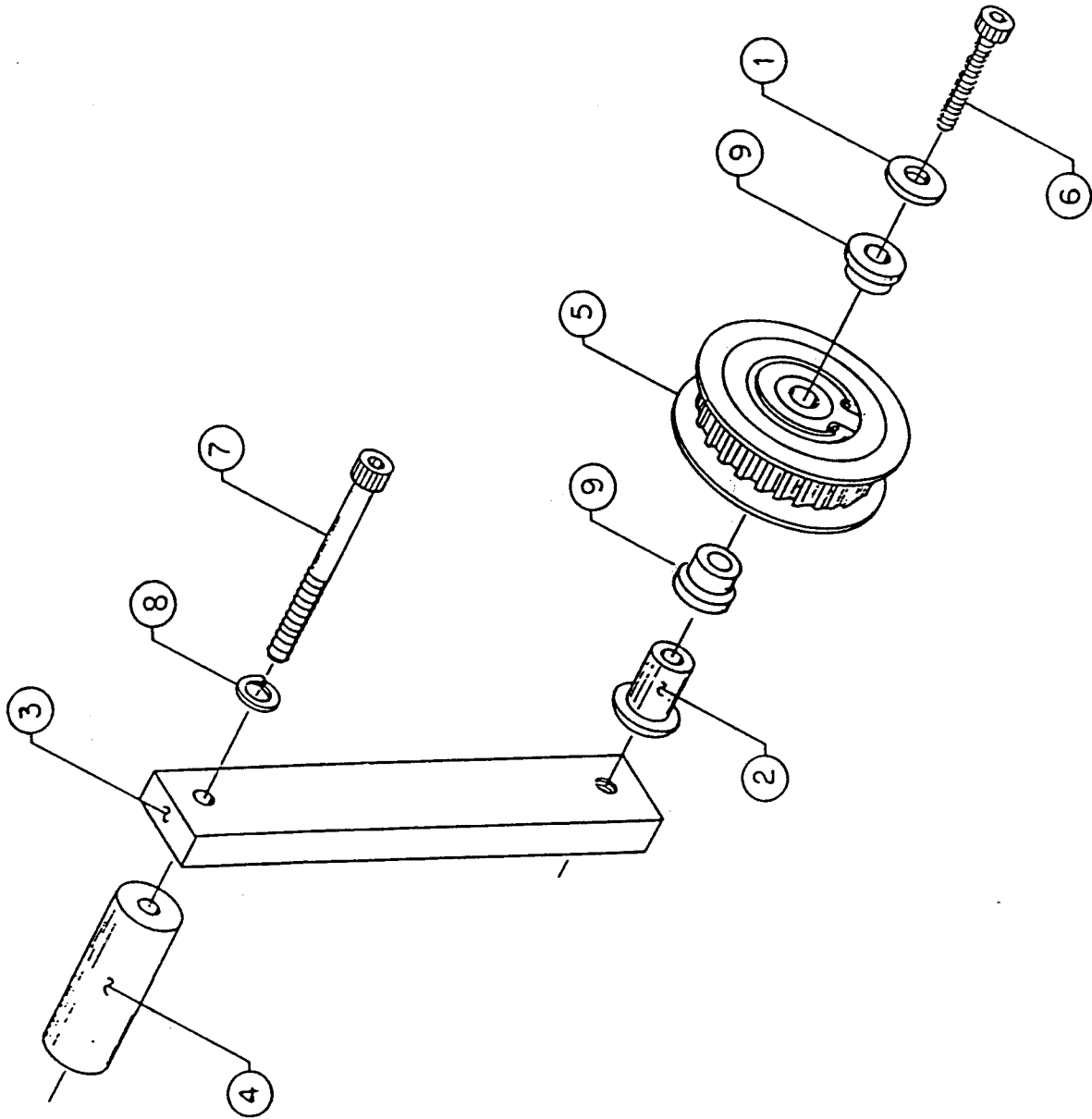
POSTED \_\_\_\_\_ DATE \_\_\_\_\_  
 MAT. ISSUED BY \_\_\_\_\_ DATE \_\_\_\_\_

THESE DRAWINGS AND SPECIFICATIONS AT THE PROPERTY OF CHRISTIE ELECTRIC CORP AND SHALL NOT BE REPRODUCED, OR COPIED OR USED AS THE BASIS FOR THE MANUFACTURE, PROCUREMENT OR SALE OF APPARATUS WITHOUT PERMISSION.



FRAMING LIGHT ASSEMBLY  
119250-001





OUTER TIMING BELT ADJUSTABLE IDLER ASSEMBLY  
119251-001



INCORPORATED  
 ACCESSORY KIT  
 7812315

ITEM NO.	W.O. #	PART NO.	QTY. PER ASSY	QTY. REQ.	QTY. ISSUED	QTY. SHI.	REC. SPARE PTS.	PART NAME	B-H P/N
19		598931-219	1					Brush (Paint)	
20		598931-220	1					Brush (Acid)	
21		598931-240	1					Hex Ball Driver, 7/64	



ITEM 1 OF 2		IN CORPORATION		BILL OF MATERIALS		MODEL # P35	
ASSEMBLY NAME		ACCESSORY KIT		7812315		DATE REQ'D	
PART NO.	QTY. PER ASSY	QTY. REQ.	QTY. ISSUED	QTY. SHT.	REC. SPARE PIS.	PART NAME	B-H P/N
121053-001	1					Bottle Dash Pot Oil	
596000-125	1					Carton	
598500-019	1					Hex Wrench, 1/16 Short Arm	
598500-020	1					Hex Wrench, 5/64 Short Arm	
598500-021	1					Hex Wrench, 3/32 Short Arm	
598500-022	1					Hex Wrench, 7/64 Short Arm	
598500-023	1					Hex Wrench, 1/8 Short Arm	
598500-024	1					Hex Wrench, 9/64 Short Arm	
598500-025	1					Hex Wrench, 5/32 Short Arm	
598500-026	1					Hex Wrench, 3/16 Short Arm	
598500-027	1					Hex Wrench, 1/4 Short Arm	
598500-028	1					Hex Wrench, 2.5mm Short Arm	
598500-029	1					Hex Wrench, 3.0mm Short Arm	
598500-030	1					Hex Wrench, 4.0mm Short Arm	
598500-031	1					Hex Wrench, 5.0mm Short Arm	
598500-032	1					Hex Wrench, 1.5mm Short Arm	
598931-087	1					Hex Ball Driver, 9/64	
598931-088	1					Hex Ball Driver, 3/16	

THESE DRAWINGS AND SPECIFICATIONS ARE THE PROPERTY OF CHRISTIE ELECTRIC CORP. AND SHALL NOT BE REPRODUCED, OR COPIED, OR USED AS THE BASIS FOR THE MANUFACTURE, PROCUREMENT OR SALE OF APPARATUS WITHOUT PERMISSION.

MAT. ISSUED BY DATE

POSTED BY DATE

F 22173

D E

B C

V ECO

SHEET. 1

INCO CORPORATION

WORKING DRAWING

ASSEMBLY # P35

DATE REO'D

REG. # 7812320 ASSEMBLY NAME SHUTTER ASSEMBLY MODEL # P35 QTY      DATE REO'D     

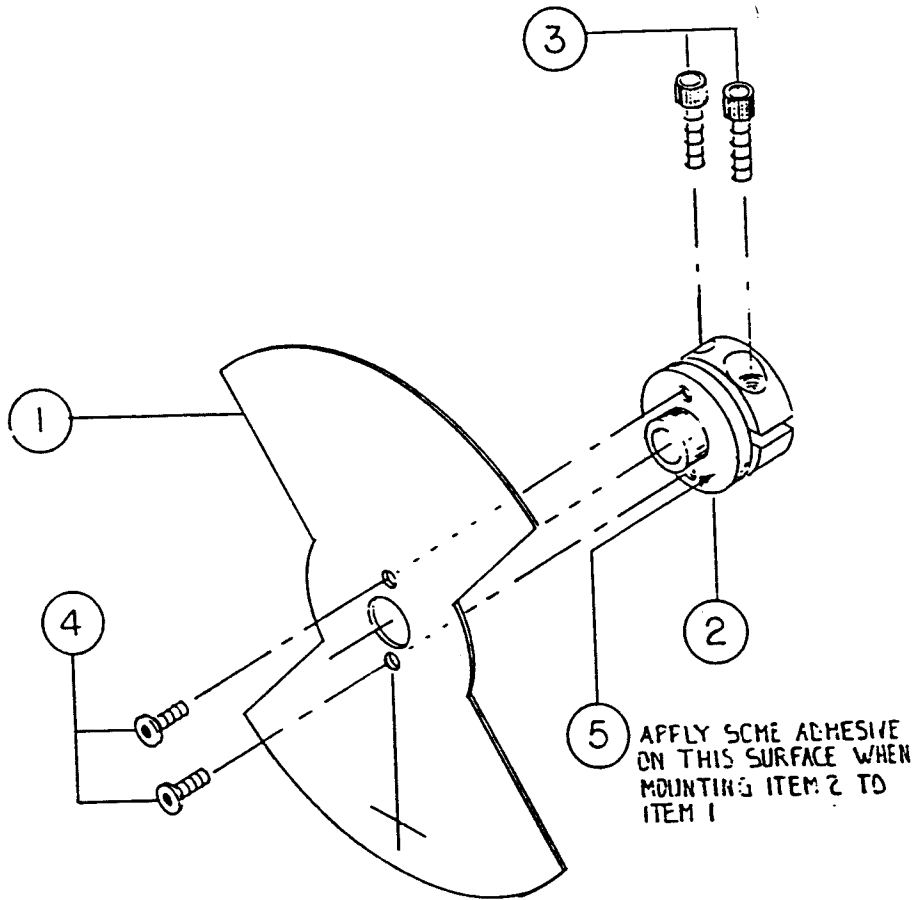
ITEM NO.	PART NO.	QTY. PER ASSY	QTY. REQ.	QTY. ISSUED	QTY. SHT.	REC. SPARE PIS.	PART NAME	B-H P/N
1	119205-001	1					Shutter Blade	7812318
2	119206-001	1					Shutter Hub	7812319
3	598931-042	2					Screw, Socket Head Cap, Hex Socket, 6-32 x 1/2	
4	598931-249	2					Screw, Button Head Cap, Hex Socket, 4-40 x 1/4	
5	598931-106	.01	Ea				Adhesive	

REV ECO      POSTED           MAT. ISSUED     

BY           BY     

DATE           DATE     

THESE DRAWINGS AND SPECIFICATIONS ARE THE PROPERTY OF CHRISTIE ELECTRIC CORP AND SHALL NOT BE REPRODUCED, OR COPIED OR USED AS THE BASIS FOR THE MANUFACTURE, PROCUREMENT OR SALE OF APPARATUS WITHOUT PERMISSION.



SHUTTER ASSEMBLY  
119254-001

ITEM NO.	PART NO.	QTY. PER ASSY	QTY. REQ.	QTY. ISSUED	QTY. SHIP.	REC. SPARE PIS.	PART NAME	U-I P/N
1	119216-002	1					Socket, LAMP	
2	511311-182	1.3 FT					Wire, #18 AWG, White, 2 Pieces 8 inches long	
3	511909-002	.01 LB.					Solder	
4	583218-016	2					Lug, Spade, Red	

LL OF MATERIAL

QTY

DATE

DATE

DATE

MAT. ISSUED

BY

DATE

BY

DATE

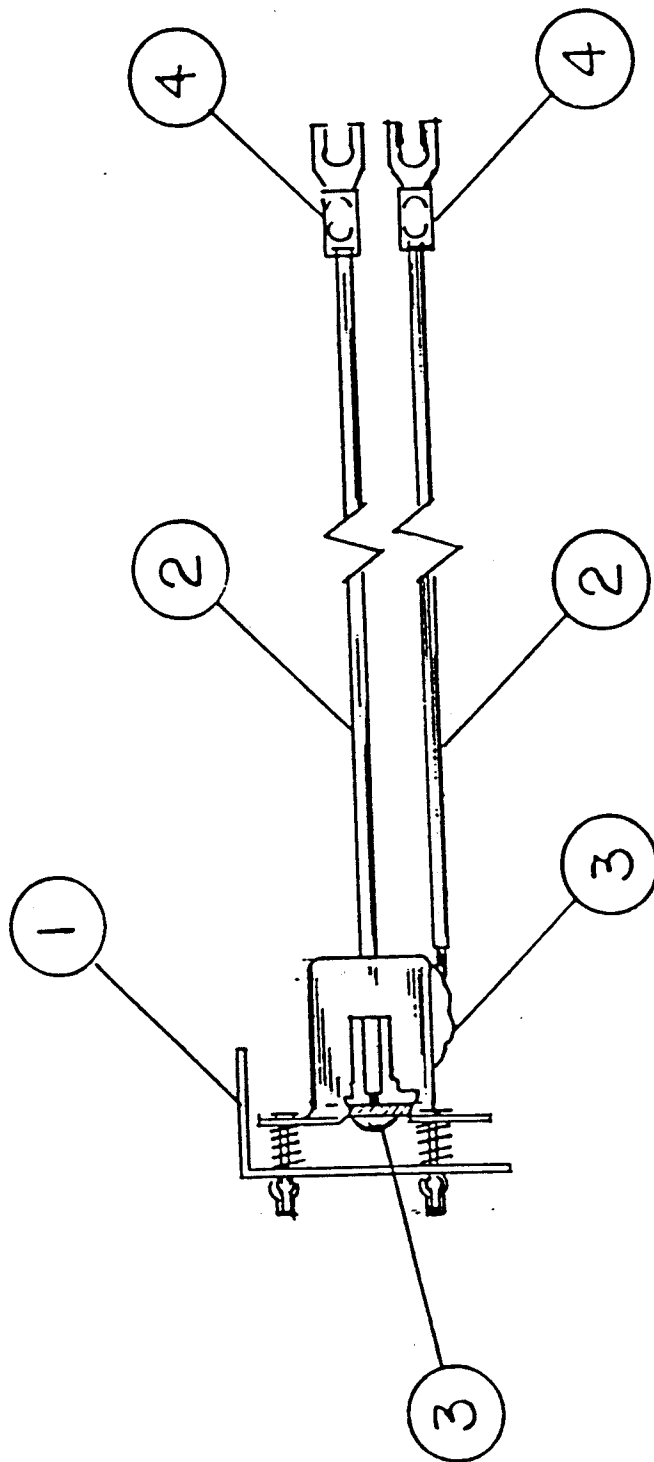
THESE DRAWINGS AND SPECIFICATIONS ARE THE PROPERTY OF CHRISTIE ELECTRIC CORPORATION AND SHALL NOT BE REPRODUCED, COPIED OR USED AS THE BASIS FOR THE MANUFACTURE, PROCUREMENT OR SALE OF APPARATUS WITHOUT PERMISSION.

POSTED

BY

DATE

BY



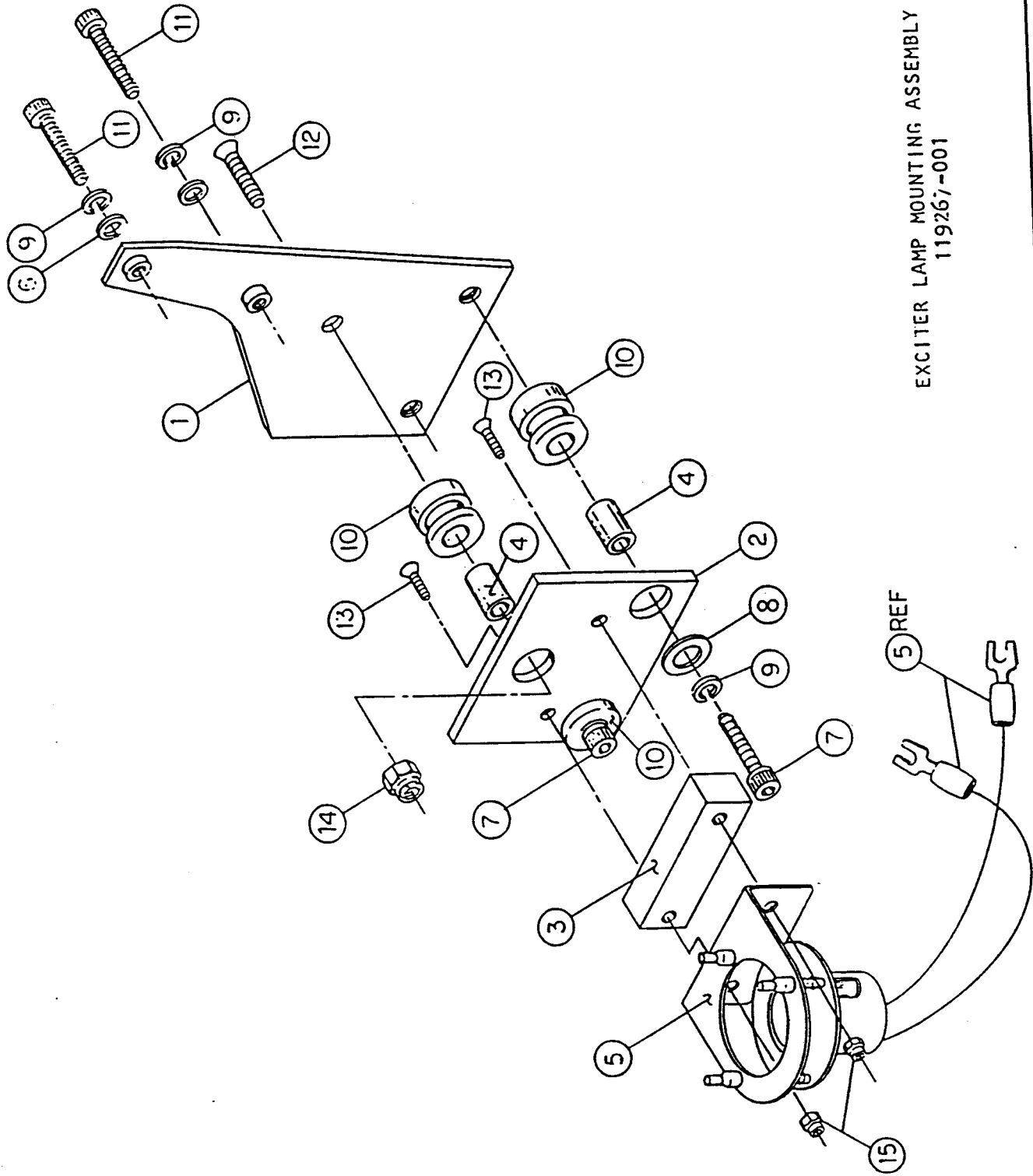
8 INCHES LONG EACH

EXCITER LAMP SOCKET ASSEMBLY  
119216-001

SHEET #		ASSEMBLY NAME		MODEL #		DATE REQ'D	
		Exciter Lamp Mounting Assembly		P 35			
W.O. #		PART NO.		QTY. PER ASSY		QTY. REQ.	
ITEM NO.		PART NAME		REC. SPARE PIS.		QTY. SHIT.	
1	119211-001	1	Plate, Adj, Mounting Exciter Lamp				B-II P/N 7812265
2	119212-001	1	Plate, Isolation, Exciter Lamp				7812266
3	119213-001	1	Block, Spacer, Exciter Lamp				7812267
4	119214-001	3	Spacer, Sleeve, Exciter Lamp				7812268
5	119216-001	1	Exciter Lamp Socket Assembly				
6	515819-303	2	Washer, Flat, Small pattern #8				
7	598931-045	2	Screw, Socket Head Cap, Hex Socket, 8-32x5/8				
8	598931-074	2	Washer, Plain Flat, Steel, #8				
9	598931-084	4	Washer, Split Lock, #8				
10	598931-118	3	Grommet, Vibration Absorber				
11	598931-163	2	Screw, Socket Head Cap, Hex Socket 8-32x1				
12	598931-164	1	Screw, Flat Head 82, Hex Socket 8-32x5/8				
13	598931-165	2	Screw, Flat Head 82, hex Socket 4-40x5/8				
14	598931-397	1	Nut, Hex, Nylock, 8-32				
15	598931-075	2	Nut, Hex, Nylock, 4-40				
REV	ECO						

THESE DRAWINGS AND SPECIFICATIONS ARE THE PROPERTY OF CHRISTIE ELECTRIC CORP AND SHALL NOT BE REPRODUCED OR COPIED OR USED AS THE BASIS FOR THE MANUFACTURE OF ANY PARTS OR APPARATUS WITHOUT PERMISSION.

POSTED	MAT. ISSUED
BY	BY
DATE	DATE



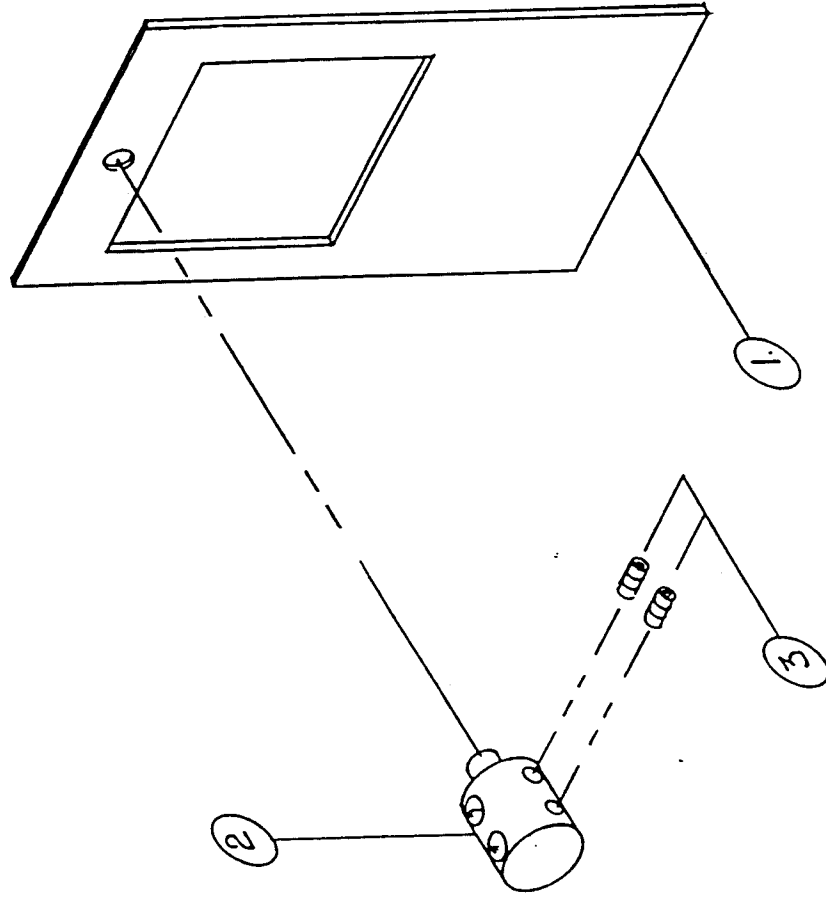
EXCITER LAMP MOUNTING ASSEMBLY  
119267-001

5 REF





NOTE:  
FLARE ITEM #2 TO ITEM #1  
IN POSITION SHOWN.



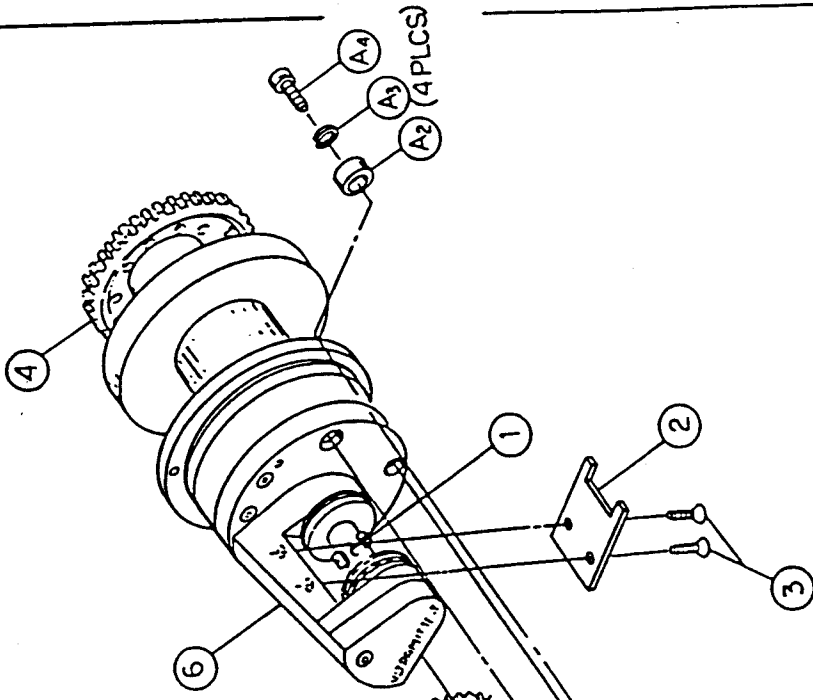
DOUSER ASSEMBLY  
119263-001

ASSEMBLY NAME		ASSEMBLY NAME		ASSEMBLY NAME		ASSEMBLY NAME		ASSEMBLY NAME		ASSEMBLY NAME		ASSEMBLY NAME		ASSEMBLY NAME		ASSEMBLY NAME		ASSEMBLY NAME	
W.O. #	PART NO.	QTY. PER ASSY	QTY. REQ.	QTY. ISSUED	QTY. SHT.	REG. SPARE PTS.	PART NAME	B-H P/N	DATE REQ'D	DATE	BY	DATE	DATE	BY	DATE	DATE	BY	DATE	
1	119466-001	1					Film Sprocket												
2	119473-001	1					Film Stripper												
3	119474-001	2					Fastening Screw Stripper												
4	119485-001	1					Flywheel Gear												
5	119498-001	1					Idler Gear with Pulley												
6	121276-001	1					Intermittent Body		DIN 91212										
7	515500-117	1					Screw, Socket Head Cap, Hex Socket, M5x14mm												
8	598931-085	1					Washer, Split Lock, #10												
9	515819-402	1					Washer, Plain Flat, M5		DIN 9021										

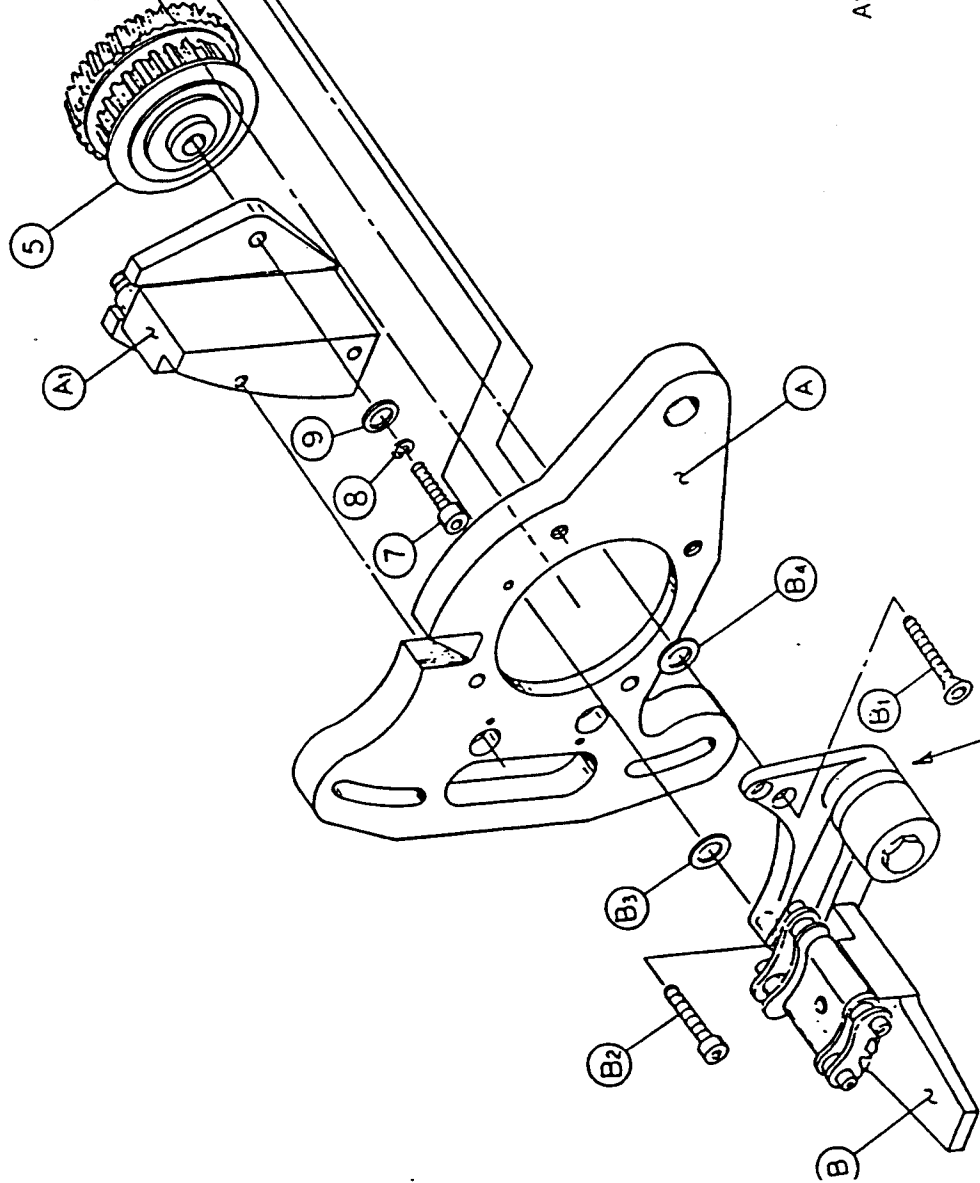
THESE DRAWINGS AND SPECIFICATIONS ARE THE PROPERTY OF CHRYSLER ELECTRIC CORP. AND SHALL NOT BE REPRODUCED OR COPIED OR USED AS THE BASIS FOR THE MANUFACTURE, PROCUREMENT OR SALE OF APPARATUS WITHOUT PERMISSION.

A= INTERMITTENT PLATE ASSEMBLY (120650-001)

B= INTERMITTENT SHOE ASSEMBLY (120651-001)



ASSEMBLY INTERMITTENT MOVEMENT  
119450-002  
& 119450-004



LOCATION OF SHOE TENSION  
ADJUSTING SCREW.

SHEET 1 OF 2 ASSEMBLY NAME: ASSEMBLY INTERMITTENT MOVEMENT MODEL # P35 DATE REC'D

ITEM NO.	W.O. #	PART NO.	QTY. PER ASSY	QTY. REQ.	QTY. ISSUED	QTY. SHIP.	REC. STAKE PIS.	PART NAME	B-H P/N
1		119466-001	1					Film Sprocket	
2		119473-001	1					Film Stripper	
3		119474-001	2					Fastening Screw Stripper	
4		119485-002	1					Flywheel Gear	
5		119498-002	1					Idler Gear with Pulley	
6		121276-001	1					Intermittent Body	DIN 91212
7		515500-117	1					Screw, Socket Head Cap, Hex Socket, M5x14mm	
8		598931-085	1					Washer, Split Lock, #10	DIN 9021
9		515819-402	1					Washer, Plain Flat, M5	

REV A	ECO	B 22010	D 22403	POSTED	MAT. ISSUED
		C 22281		BY	BY
				DATE	DATE

THESE DRAWINGS AND SPECIFICATIONS ARE THE PROPERTY OF CHRISTIE ELECTRIC CORP. AND SHALL NOT BE REPRODUCED OR COPIED OR USED AS THE BASIS FOR THE MANUFACTURE, PROCUREMENT OR SALE OF APPARATUS WITHOUT PERMISSION.