

Film-Tech

The information contained in this Adobe Acrobat pdf file is provided at your own risk and good judgment.

These manuals are designed to facilitate the exchange of information related to cinema projection and film handling, with no warranties nor obligations from the authors, for qualified field service engineers.

If you are not a qualified technician, please make no adjustments to anything you may read about in these Adobe manual downloads.

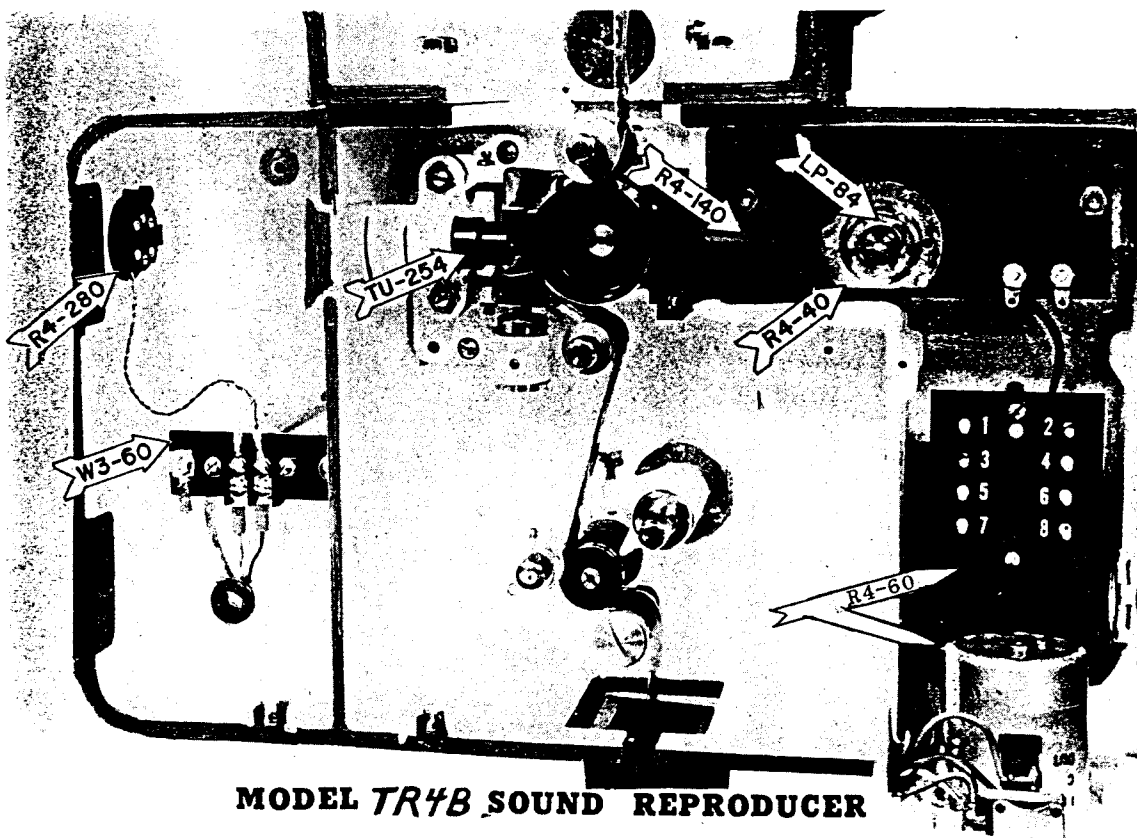
www.film-tech.com

PARTS LIST

Century

STANDARD 35mm

SOUND REPRODUCERS



MODEL TR4B SOUND REPRODUCER

CENTURY PROJECTOR CORPORATION

165 West 46th Street, New York, New York 10036

PRINTED IN U.S.A.

Contents

PAGE NUMBER

CENTURY 35MM OPTICAL SOUND REPRODUCERS

MAIN FRAME PARTS - DAMPER - OPTICAL LENS	3
DAMPER ARMS - ROLLERS - OIL COVER & PLUNGER	4
SINGLE EXCITER LAMP - BRACKETS - SOCKET	4
EXCITER LAMP (REVERSE SCANNING)	4
IMPEDANCE DRUM & SHAFT - BALL BEARINGS - FLYWHEEL	5
PAD ROLLER ARM - ROLLERS - TERMINAL STRIP - SWITCH	5
MAIN DRIVE SHAFT (POLY "V" BELT)	6
CHAIN AND BELT DRIVES (DISCONTINUED MODELS)	6
DRIVE SHAFT (DIRECT DRIVE) - TAKE-UP ROLLER AND BALL BEARINGS	6
ADJUSTING ARM (STANDARD DRIVES)	7
ADJUSTING ARM (DIRECT DRIVE) - BELTS - IDLER ROLLER - DOORS	7
DRIVE-SIDE AND OPERATING-SIDE COVERS - ANA-SOL PICK-UPS	8
RELAY LENS AND BRACKET (REVERSE SCANNING)	8
TRANSISTOR VOLUME CONTROL - ATTENUATOR COVER	9
COVERS - PROJECTOR BELT DRIVES - PULLEYS - PHOTO-VERTERS	9
MOTOR & BRACKET (STANDARD/DIRECT DRIVES)	10
VERTICAL DRIVE SHAFT - BRACKETS - BALL BEARINGS (DIRECT DRIVE)	10
PHOTOELECTRIC CELL - ANA-SOL - CHANGEOVER SWITCH	11
PREAMPLIFIER/PEC - TIMING BELT CONVERSION KITS	12
SPECIAL CONVERSION KITS	12
SPECIAL DRIVES	13
MOTOR RESISTOR KITS - CONVERSION KITS (50 AND 60 CYCLES)	14
ILLUSTRATION - DIRECT-DRIVE FLEXIBLE SHAFT - MAIN DRIVE SHAFT	15
REFERENCE: CENTURY REPRODUCER DRAWING NO. 3716A (REVERSE SCANNING) FOR ASSEMBLY AND PARTS DATA	

1973
1M/4/73

CENTURY PROJECTOR CORPORATION

165 West 46th Street, New York, New York 10036

Price 3.00

PART NO.	DESCRIPTION	
<u>MAIN FRAME PARTS (OPERATING & DRIVE SIDES (REVERSE SCANNING))</u>		
C1-A-11	Door Hinge and Pin (4)	
JRA-T-61B	Exciter Lamp Cable and Plug (Male) (Reverse Scanning - R4)	
JRA-T-61C	Exciter Lamp Cable & Plug (Female) (R4)	
CN-87	Connector Squeeze (3/4)	
CN-708	Connector Squeeze (1/2)	
CP-21	Clamp Exciter Lamp Lead Wire Retaining (2)	
CT-90	Catch Door (2)	
NU-6	Nut Exciter Lamp Nipple Fast. (2)	
PG-245	Plug Frame (Reverse Scanning) (2)	
PN-28	Pin Damper Locating (2)	
SC-112	Screw Wire Clamp & Door Catch Fastening (6)	
SC-127	Screw Ball Bearing Retaining (3)	
SC-226	Screw Door Stop Link Retaining	
SC-564	Screw Projector Mechanism Mounting (4)	
SC-589	Screw Lower Magazine Mounting (4)	
SC-599	Screw Sound Reproducer to Pedestal Mount. (Short) (4)	
SC-600	Screw Sound Reproducer to Pedestal Mount. (Long) (2)	
SC-661	Screw Door Hinge to Main Frame Fasten. (12)	
WA-105	Washer Sound Reproducer to Pedestal Mount. Screw (4)	
WI-269	Wire White (6") (2) (R4/TR4)	
R3-21	Exciter Lamp Lead Wire Assembly (R3/TR3/R5)	
BU-126	Bushing Main Drive Shaft Frame (Oilite) (R3A/R5A) (2)	
BU-822	Bushing Main Drive Shaft Frame (Oilite) (Special) (2)	
CU-22	Cup Main Frame Drive Shaft - Oil (Models R3A/R5A)	
PG-271	Plug Exciter Lamp Light (Green Jewel) R3-TR3-R5)	
VE-1	Ventilator Exciter Lamp Compartment Air (R3/TR3/R5) (2)	
R3-30	DAMPER ASSEMBLY (COMPLETE) (R3/TR3/R5)	
R3-33	Lower Damper Arm, Roller & Ball Bearings	
R3-34	Upper Damper Arm, Roller & Ball Bearings	
R3-35	Damper Oil Cup Cover & Plunger	
BR-117	Bracket	Damper & Lens Holder
CU-85	Cup	Damper Oil (Reservoir)
NU-33	Nut	Damper Pivot Screw (4)
NU-37	Nut	Spring Adjusting Screw
PE-118	Plate	Threading Indicator
SC-96	Screw	Indicator Plate Fastening (2)
SC-282	Screw	Damper Arm Pivot (2)
SC-519	Screw	Damper Spring Adjusting
SC-526	Screw	Damper Oil Cup Fastening
SC-550	Screw	Damper Pivot
SC-551	Screw	Damper Arm (2)
SC-580	Screw	Lens Tube Clamp Retaining
SG-591	Spring	Damper
TU-30	Tube	Lens
R4-30	DAMPER ASSEMBLY (COMPLETE) (REVERSE SCANNING)	
	Same As R3-30 - Exception: TU-254 Lens Tube Replaces TU-30	
FD-120	Fluid	Damping (Small Bottle)
SC-580	Screw	Damper Assembly Mounting (3)

PART NO.	DESCRIPTION	
R3-33	LOWER DAMPER ARM ASSEMBLY	
R3-31	Lower Damper Roller Stud & Knob	
R3-36	Lower Damper Roller	
AR-34	Arm	Lower Damper (Includes (2) BG-99)
BG-99	Bearing	Damper Arm Ball (2)
NU-37	Nut	Adjusting Screw
SC-577	Screw	Adjusting
SC-579	Screw	Damper Roller Stud Fastening
R3-34	UPPER DAMPER ARM ASSEMBLY	
R3-32	Upper Damper Roller Stud & Knob	
R3-37	Upper Damper Roller	
AR-35	Arm	Upper Damper (Includes (2) BG-99)
BG-99	Bearing	Damper Arm Ball (2)
CL-84	Collar	Upper Damper Arm Thrust
NU-37	Nut	Adjusting & Clamping Screw (2)
SC-82	Screw	Upper Damper Arm Stud Stop
SC-577	Screw	Adjusting and Clamp (2)
SC-578	Screw	Thrust Collar Fastening
SU-554	Stud	Upper Damper Spring
WA-88	Washer	Clamp Screw Lock
R3-35	OIL COVER & PLUNGER ASSEMBLY	
CR-83	Cover	Damper Oil Cup
PU-116	Plunger	Damper Oil
R3-40	EXCITER LAMP ASSEMBLY (SINGLE LAMP) (COMPLETE) (R3/TR3/R5)	
R3-41	Exciter Lamp Socket & Mounting Bracket	
BA-125	Base	Exciter Lamp Mounting
GM-51	Grommet	Exciter Lamp Mounting Base (Rubber) (3)
SC-72	Screw	Exciter Lamp Bracket Fastening (2)
SC-539	Screw	Terminal Strip Fastening (2)
SP-576	Strip	Exciter Lamp Terminal
WA-78	Washer	Exciter Lamp Bracket Fastening Screw (2)
R4-40	EXCITER LAMP SOCKET AND LAMP ASSEMBLY (REVERSE SCANNING)	
R4-41	Exciter Lamp Socket, Terminal Lug and Plate	
LP-84	Lamp	Exciter (Reverse Scanning)
R3-41	EXCITER LAMP SOCKET & MOUNT. BRACKET (SINGLE LAMP) (R3/TR3/R5)	
R3-43	Ground Lead Wire & Lug	
BR-124	Bracket	Exciter Lamp Socket Mounting
SC-539	Screw	Exciter Lamp Socket Retaining (3)
SF-628	Socket	Exciter Lamp (R3/TR3/R5)
LP-15	Lamp	Exciter (4Amp-9 Volt) (Transistor Sound) (TR-3)
SC-557	Screw	Exciter Lamp Mounting Base (3)
WA-142	Washer	Exciter Lamp Mounting Base Screw (3)

PART NO.	DESCRIPTION	
R4-41	EXCITER LAMP SOCKET, TERMINAL LUG AND PLATE (R4/TR4/MTR4)	
LU-59	Lug	Terminal
NU-34	Nut	Terminal (4)
NU-37	Nut	Socket Mounting (3)
PE-1056	Plate	Exciter Lamp Socket
SC-662	Screws	Terminal (2)
SC-1255	Screw	Socket Mounting (3)
SF-2112	Socket	Lamp (Reverse Scanning)
SP-2122	Strip	Ground
WA-109	Washer	Terminal
WA-151	Washer	Socket Mounting (3)
R3-50	IMPEDANCE DRUM & FLYWHEEL SHAFT ASSEMBLY	
DR-15	Drum	Impedance (R3-50)
ST-546	Shaft	Impedance Drum Flywheel (R3-50)
BG-133	Bearing	Impedance Shaft Ball (2)
CL-82	Collar	Impedance Shaft Flywheel Thrust
SC-575	Screw	Impedance Flywheel Fastening
SC-1236	Screw	Thrust Collar Fastening
SG-943	Spring	Loading
WH-72	Flywheel	Impedance
R3-60	PAD ROLLER AND ARM ASSEMBLY (COMPLETE)	
C1-C-21	Pad Roller Shaft & Knob	
R2-31	Pad Roller Arm Stud, Knob & Flange	
AR-33	Arm	Pad Roller
BL-18	Ball	Pad Roller Arm (2)
NU-8	Nut	Pad Roller Adjusting Screw Stop
RO-100	Roller	Pad
SC-87	Screw	Pad Roller Adjusting
SC-88	Screw	Pad Roller Shaft Retaining
SG-21	Spring	Pad Roller Arm Ball (2)
SC-72	Screw	Pad Roller Arm Assembly Mounting (3)
R4-70	EXCITER LAMP TERMINAL STRIP, SWITCH, CABLE & FEMALE PLUG (R4)	
R4-71	Terminal Strip	
W3-27	Switch & Wire (SW 689 & Wire)	
JRA-T-61C	Exciter Lamp Cable and Female Plug (R4)	
SA-612	Spacer	Terminal Strip
SC-613	Screw	Terminal Strip Fastening (Long)
SC-569	Screw	Terminal Strip Fastening (Short)

Listen to the pure sound of "Reverse Scanning"

WITH SOLID STATE PICKUP

Nothing equal to it ever before for sound "presence"—and it comes from Century.

PART NO.	DESCRIPTION	
R22-70A	MAIN DRIVE SHAFT ASSY (COMPLETE) (POLY "V" DRIVE) (STANDARD)	
BE-899	Belt	Reproducer to Motor Drive (Poly "V")
BG-133	Bearing	Main Drive Shaft Ball (Inner)
BG-204	Bearing	Main Drive Shaft Ball (Outer) (Operating-Side)
GR-68	Gear	Take-Up Pulley Drive (Formica)
PY-573	Pulley	Projector Drive Timing Belt (Lower)
PY-840	Pulley	Motor Driven Poly "V" Belt
RI-92	Ring	Ball Bearing Retaining (Truarc) (Outer)
SA-1697	Spacer	Motor Drive Pulley
SC-89	Screw	Film Sprocket Fastening
SC-502	Screw	Pulleys Fastening (4)
SC-585	Screw	Take-Up Pulley Drive Gear Fastening
SK-967	Sprocket	Film
ST-1696	Shaft	Main Drive (Poly V Belt) (Standard Drives)

OBSOLETE STOCK

ITEMS* NOT AVAILABLE

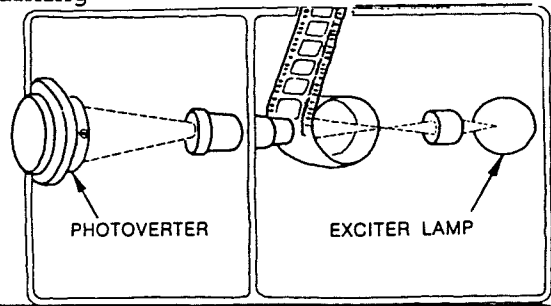
BE-132	Belt	Motor Drive "V" (Matched Pair)
BE-528	Belt	Reproducer to Motor Drive Timing
BU-822	Bushing	Main Drive Shaft (Oilite)
CI-89	Chain	Projector Drive
CI-122	Chain	Motor Drive
PY-575 *	Pulley	Motor Driven Timing Belt
SK-518	Sprocket	Projector Drive Chain (Lower)
SK-727 *	Sprocket	Motor Drive Chain
SK-734	Sprocket	Motor Driven Chain (Large)
SK-745 *	Sprocket	Projector Drive Chain (Upper)
ST-552	Shaft	Main Drive (Models R3A/R5A)
ST-1123 *	Shaft	Main Drive (Replace with ST-552/BU-822)

R50-70	MAIN DRIVE SHAFT ASSEMBLY (COMPLETE) (DIRECT DRIVE)	
BG-133	Bearing	Main Drive Shaft Ball (Inner)
BG-204	Bearing	Main Drive Shaft Ball (Outer) (Operating-Side)
GR-68	Gear	Take-Up Pulley Drive (Formica)
GR-254	Gear	Vertical Shaft Sprocket Driven (Formica)
RI-92	Ring	Ball Bearing Retaining (Truarc)
SC-89	Screw	Film Sprocket Fastening
SC-585	Screw	Take-Up Pulley Drive Gear Fastening
SC-982	Screw	Sprocket Driven Formica Gear Fastening (2)
SK-967	Sprocket	Film
ST-1787	Shaft	Main Drive (Direct Drive)

R3-80A	TAKE-UP ROLLER AND BALL BEARINGS	
BG-259	Bearing	Take-Up Roller Ball (2)
RO-535	Roller	Take-Up
SC-1233	Screw	Take-Up Roller Retaining
SU-2061	Stud	Take-Up Roller



Listen to the *pure sound*
of Century's "Reverse Scanning"



PART NO.	DESCRIPTION	
R3-90	ADJUSTING ARM ASSEMBLY (COMPLETE) (STANDARD DRIVES)	
R3-91	Take-Up "V" Belt Pulley Gear	
R3-92	Projector Drive Belt Idler Roller	
AR-36	Arm	Adjusting
BG-133	Bearing	Adjusting Arm Ball
NU-38	Nut	Take-Up Pulley-Gear Stud Fastening
NU-306	Nut	Projector Drive Belt Idler Roller Stud
SC-127	Screw	Ball Bearing Retaining (3)
SU-553	Stud	Take-Up Belt Pulley-Gear
WA-77	Washer	Projector Drive Belt Idler Roller Stud
WA-83	Washer	Take-Up Belt Pulley-Gear Stud
WA-141	Washer	Projector Belt Idler Roller Stud Lock
SA-1724	Spacer	Adjusting Arm Mounting Screw (2)
SC-1689	Screw	Adjusting Arm Mounting (2)
R50-90	ADJUSTING ARM ASSEMBLY (COMPLETE) (DIRECT DRIVE)	
R3-91	Take-Up "V" Belt Pulley-Gear	
AR-36	Arm	Adjusting
BG-133	Bearing	Adjusting Arm- Main Shaft Ball
NU-38	Nut	Take-Up Belt Pulley - Gear Stud
SC-127	Screw	Ball Bearing Retaining (3)
SU-553	Stud	Take-Up Belt Pulley-Gear
WA-83	Washer	Take-Up Belt Pulley-Gear Stud
BE-573	Belt	Take-Up "V" (For 4" Magazine Pulley) (18" Magazine)
BE-734	Belt	Take-Up "V" (2-3/4" Inner Diam. Pulley) (26" Magazine)
BE-836	Belt	Take-Up "V" (2-3/4" Inner Diam. Pulley) (18" Magazine)
BE-1035	Belt	Take-Up "V" (4" Diam. Pulley) (26" Magazine)
SA-1724	Spacer	Adjusting Arm Mounting Screw (2)
SC-1689	Screw	Adjusting Arm Mounting (2)
R3-92	PROJECTOR DRIVE BELT IDLER ROLLER ASSEMBLY (STANDARD DRIVE)	
RO-103	Roller	Projector Drive Belt Idler
SC-536	Screw	Idler Roller Retaining
SU-556	Stud	Idler Roller
WA-70	Washer	Idler Roller Retaining Screw
R3-110	OPERATING-SIDE DOOR ASSEMBLY (R3/MR/3)	
CP-20	Clamp	Door Glass (4)
DO-17	Door	Operating-Side
GL-108	Glass	Operating-Side Door
KN-47	Knob	Operating-Side Door
LI-7	Link	Operating-Side Door Stop (LI-11 Drive-In)
SB-60	Stop	Operating-Side Door Closing (Felt) (2)
SC-70	Screw	Hinge to Door Fastening (6)
SC-123	Screw	Door Glass Clamp & Strike Fastening (6)
SC-226	Screw	Door Stop Link Retaining
SC-1058	Screw	Door Knob Fastening
SS-586	Strike	Operating-Side Door

PART NO.	DESCRIPTION	
R5-110	OPERATING-SIDE DOOR ASSEMBLY (TR4/MTR4/TR3/MTR3/R5/MR5) Parts of R5-110 same as R3-110 EXCEPTION: DO-20 Door replaces DO-17	
CR-299	Cover	Ana-Sol/PEC/Compartment
CR-696	Cover	Front Compartment (Inner) (R4)
SC-521	Screw	Ana-Sol/PEC Compartment Cover Retaining (2)
R3-120	COMPARTMENT DOOR ASSEMBLY (REAR) (OPERATING-SIDE)	
DO-16	Door	Compartment (Rear)
SB-60	Stop	Door Closing (Felt) (2)
SC-70	Screw	Hinge to Door Fastening (6)
SC-123	Screw	Door Strike Fastening (2)
SS-586	Strike	Door
R3-130	DRIVE-SIDE COVER ASSEMBLY (COMPLETE)	
CR-74	Cover	Drive-Side (R3-130)
SC-572	Screw	Drive-Side Cover Retaining (3)
R4-140	RELAY LENS AND BRACKET ASSEMBLY (REVERSE SCANNING)	
BR-1118	Bracket	Lens Retainer
TU-255	Tube	Relay Lens
<u>OBSOLETE STOCK</u> <u>ITEMS * NOT AVAILABLE</u>		
R3-140*	Condenser Lens, Bracket and Holder (Not Available)	
R3-141*	Condenser Lens and Holder (Not Available)	
R3-142	Condenser Lens Bracket and Pins	
R3-143*	Condenser Lens (Not Available)	
HO-24	Holder	Condenser Lens (Includes PN-126)
PN-126	Pin	Condenser Lens Holder Locate
SC-72	Screw	Condenser Lens Bracket Fastening
SC-291	Screw	Condenser Holder Mounting
SC-603	Screw	Condenser Lens Fastening
*Obsolete - Stock Not Available		
JRA-T-61B	Exciter Lamp, Cable and Male Plug (Reverse Scanning)	
JRA-T-61C	Cable and Female Plug (For R4)	
JRA-T-61D	Cable and Female Plug (For JRA-101-AS3)	
JRA-101-AS1	Ana-Sol Optical Sound Pick-Up (Replaces JRA-101-A/C/D)	
JRA-101-AS3	Ana-Sol Optical Sound Pick-Up (W3-50 Assembly)	
<p>NOTES: Sound Reproducers with Photoelectric Cell Pick-Up can be converted to the Ana-Sol Optical Pick-Up System - Specify W3-50 Assembly. (Refer To Following Pages For Data On W3-50 Assembly) <u>For Low Impedance</u>, omit TF-251 Transformer from W3-50 Assembly</p>		

PART NO.	DESCRIPTION
JRA-104D W3-26 R5-190 SW-1798	CHANGEOVER SWITCH&VOLUME CONTROL(200 Series Sound Systems) Terminal Strip Panel Changeover and Volume Control Cover Switch Changeover Button (Refer to Sound System Drawing EB-1927-2 for additional data)
R5-190 CR-94 HI-25 KN-25 SC-94 SC-1058	ATTENUATOR COVER ASSEMBLY(MODELS TR4/MTR4/TR3/MTR3/R5/MR5) Cover Attenuator Hinge Attenuator Cover Knob Attenuator Cover Screw Hinge To Cover Fastening (3) Screw Cover Knob Fastening
SC-123	Screw Attenuator Cover Mounting (3)
R22-240 CR-660 CT-37	INNER COMPARTMENT COVER ASSEMBLY (UPPER) Cover Upper Compartment (TR4/MTR4/TR3/MTR3/R5/MR5) Catch Cover
SC-521	Screw Inner Compartment Cover Retaining (2)
R21-270 FL-38 PY-574 SC-1045	PROJECTOR DRIVE TIMING BELT PULLEY ASSEMBLY(UPPER)(STANDARD) Flange Projector Drive Timing Belt Pulley (2) Pulley Projector Drive Timing Belt (Upper) Screw Proj.Drive Timing Belt Pulley Fastening(Allen)(3)
BE-529	Belt Projector Drive Timing
MR3-270 PY-851 SC-1708 WA-64	PROJECTOR POLY "V" DRIVE PULLEY ASSEMBLY (DIRECT-DRIVE) Pulley Motor Driven (Mounts on Mech. Main Drive Shaft) Screw Motor Driven Poly "V" Belt Pulley Fastening (3) Washer Motor Driven Poly "V" Belt Pulley Fastening Screw(3)
BE-908	Belt Projector-Motor Poly "V" Drive (Direct-Drive)
R4-280	PHOTO-VERTER AND WIRE ASSEMBLY(Reverse Scanning)(TR4/R4)
R4-280A	PHOTO-VERTER & MOUNT.BRACKET(REVERSE-SCANNING CONVERSION)
R4-281	PHOTO-VERTER AND WIRE ASSEMBLY (R4 SOUND REPRODUCER)
R4-281A	PHOTO VERTER & MOUNT. BRACKET(REVERSE SCANNING CONVERSION)
R21-340 R21-341 CU-114 NU-48 ST-507	PROJECTOR DRIVE TIMING BELT PULLEY&PINION ASSEMBLY(SPECIAL) Projector Drive Timing Belt Pulley & Pinion Cup Projector Drive Shaft Oil Nut Projector Drive Shaft Oil Cup Retaining Shaft Projector Drive (Special)
R21-341 R21-270 PI-226	PROJECTOR DRIVE TIMING BELT PULLEY & PINION (SPECIAL) Projector Drive Timing Belt Pulley & Flanges (Upper) Pinion Projector Drive Timing Belt Pulley (Special)

PART NO.	DESCRIPTION	
MR3-360	MOTOR & BRACKET ASSY. (60 CYCLE) (COMPLETE) (DIRECT-DRIVE)	
BR-921	Bracket	Motor Retaining
MO-40	Motor	Drive (60 Cycle) (5/8" Shaft)
PE-137	Plate	Motor Bracket Shim (Rubber)
PY-880	Pulley	Motor Drive (Poly V) (Direct Drive)
SC-532	Screw	Motor Bracket Mounting (4)
SC-620	Screw	Motor Pulley & Handwheel Fastening (2)
SC-825	Screw	Motor Mounting (4)
TU-26	Tube	Motor Bracket Fastening (Rubber) (4)
WA-68	Washer	Motor Bracket Fastening (Steel) (4)
WA-69	Washer	Motor Bracket Fastening (Rubber) (4)
WA-83	Washer	Motor Fastening Screw (4)
WH-251	Wheel	Motor Hand (For 5/8" Motor Shaft)
BE-908	Belt	Projector Motor Poly "V" Drive (Direct Drive)
R21-360C	MOTOR & BRACKET ASSY. (POLY"V") (COMPLETE) (STANDARD-DRIVES)	
BR-921	Bracket	Motor Retaining
MO-40	Motor	Drive (60 cycle) (5/8" Shaft)
PE-137	Plate	Motor Bracket Shim (Rubber)
PY-839	Pulley	Motor Drive Poly "V" Belt (Standard Drive)
SC-532	Screw	Motor Bracket Mounting (4)
SC-620	Screw	Motor Pulley & Handwheel Fastening (2)
SC-825	Screw	Motor Mounting (4)
TU-26	Tube	Motor Bracket Fastening (Rubber) (4)
WA-68	Washer	Motor Bracket Fastening (Steel) (4)
WA-69	Washer	Motor Bracket Fastening (Rubber) (4)
WA-83	Washer	Motor Fastening Screw (4)
WH-251	Wheel	Motor Hand (5/8" Motor Shaft)
BE-528	Belt	Motor to Reproducer Timing
BE-899	Belt	Motor to Reproducer Poly "V" Drive (Standard Drives)
PY-576	Pulley	Motor Drive Timing Belt (Obsolete - Stock Available)
R50-370A	REPRODUCER VERT. DRIVE SHAFT ASSEMBLY (DIRECT DRIVE)	
R50-371	Vertical Shaft Ball Bearing & Bracket (2)	
R50-372	Flexible Drive Shaft & Couplings (Style II)	
CL-13	Collar	Ball Bearing Thrust
GR-133	Gear	Vert. Shaft - Sprocket Drive (Steel)
SC-81	Screw	Gear, Collar & Coupling Fastening (3)
SC-143	Screw	Vert. Drive Shaft Assembly Mounting (4)
ST-1976	Shaft	Reproducer Vertical Drive
WA-3	Washer	Vert. Shaft Ball Bearing Thrust (Fiber) (2)
WA-10	Washer	Vert. Shaft Ball Bearing Thrust (Steel) (2)
R50-371	REPRODUCER VERTICAL SHAFT BALL BEARING & BRACKET ASSEMBLY	
BG-9	Bearing	Ball
BR-989	Bracket	Ball Bearing
SC-127	Screw	Ball Bearing Retaining (3)

NOTE: Illustration of R50-370A Assembly on Page 15

PART NO.	DESCRIPTION	
R50-372	FLEXIBLE DRIVE SHAFT & COUPLING ASSEMBLY (STYLE II)	
CG-729	Coupling	Reproducer - Vertical Shaft Drive (Lower)
CG-730	Coupling	Reproducer to Mechanism Drive (Upper)
SC-898	Screw	Coupling Fastening (4)
ST-1973	Shaft	Flexible Drive
CG-629	Coupling	Reproducer - Vertical Shaft (Rubber)(Style I)
CG-683	Coupling	Reproducer to Mechanism Drive (Steel) (Style 1)
ST-1785	Shaft	Reproducer Vertical Drive (Style I)
W3-20	PEC PANEL & EXCITER LAMP CHANGEOVER ASSY. (STOCK AVAILABLE)	
W3-21	PEC Panel Assembly	
W3-25	Terminal Strip & Changeover Switch Assembly	
TU-39	Tube	Photoelectric Cell (#930) (Schematic Drawing E-1419)
SA-612	Spacer	Terminal Strip Fastening Screw
SC-569	Screw	Terminal Strip Fastening (Lower)
SC-613	Screw	Terminal Strip Fastening (Upper)
W3-21	PEC PANEL ASSEMBLY	
BU-139	Bushing	PEC Plate Mount Screw (2)
GM-53	Grommet	PEC Plate Mount Screw (2)
PE-148	Plate	Photoelectric Cell
SA-607	Spacer	PEC Plate Mounting (2)
SC-112	Screw	PEC Socket Fastening (2)
SC-570	Screw	PEC Plate Fastening (2)
SF-1425	Socket	PEC Tube
TE-25	Terminal	Wire (2)
WA-70	Washer	PEC Plate Mounting Screw (4)
WI-95	Wire	PEC Ground
WI-96	Wire	PEC Lead
W3-25	TERMINAL STRIP & CHANGEOVER SWITCH ASSEMBLY	
W3-26	Terminal Strip Assembly	
SW-689	Switch	Changeover
WI-123	Wire	Switch Shunt (2)
W3-50	ANA-SOL PICK-UP & CHANGEOVER SWITCH ASSY. (COMPLETE)	
AS-3	ANA-SOL Pick-Up & Mounting Bracket (Specify JRA-101-AS3)	
W3-25	Terminal Strip & Changeover Switch	
W3-51	ANA-SOL Transformer & Mounting Plate	
SC-72	Screw	ANA-SOL Assembly Mounting (2)
NOTE: Present production of sound reproducers (models MR4/R4) utilizes the reverse scanning method of reading optical sound tracks and includes the R4-281 photo-verter pick-up with the R4-70 terminal panel and switch assembly. For high impedance connection, a coupling transformer may be required.		

PART NO.	DESCRIPTION
W3-51	ANA-SOL TRANSFORMER, SOCKET AND MOUNTING PLATE ASSEMBLY
CD-764	Condenser Blocking (.1 MFD - 200 VOLT)
PE-1030	Plate Coupling Transformer Socket Mounting
RS-168	Resistor 47 K - 1/2 Watt
SC-112	Screw Socket Mounting (2)
SC-569	Screw Plate Mounting (2)
SF-2072	Socket Transformer (77 MIP9) (9 Pins)
TE-25	Terminal Wire (4)
TF-251	Transformer Coupling (UTC-P-16)
WA-70	Washer Plate Mounting Screw (2)
W3-52	Transformer Coupling Assembly (Plug-In) (W3-50A)(NOT AVAILABLE)
W3-53	Terminal Panel and Transformer Socket (W3-50A)
W5-20A	PEC & PREAMPLIFIER ASSEMBLY (OBSOLETE - STOCK AVAILABLE)
W5-21A	PEC & Preamplifier Mounting & Terminal Panel and Switch(SW-689)
W5-22	Attenuator Control, Dial & Knob
WA-106	Washer Changeover Switch
TU-39	Tube Photoelectric Cell (#930)
6SJ7	Tube Preamplifier
W5-22	ATTENUATOR, DIAL & KNOB ASSEMBLY(OBSOLETE /STOCK AVAILABLE
AT-41	Attenuator Sound
DA-21	Dial Attenuator
KN-28	Knob Attenuator
SC-717	Screw Attenuator Knob Fastening (2)
R3-T-112	CONVERSION KIT TO TIMING BELT (PROJECTOR TO REPRO.DRIVE)
R21-270	Projector Drive Timing Belt Pulley & Flanges (Upper)
BE-529	Belt Projector Drive Timing
PY-573	Pulley Projector Drive Timing Belt (Lower)
SC-502	Screw Lower Timing Belt Pulley Fastening (2)
R3-T-180	CONVERSION KIT - DRIVE XL MECHANISM/CENTURY SOUND REPRO
R3-T-181	Pad Roller Arm Assembly (Special)
R3-T-182	Timing Belt Idler Pulley & Arm
R3-T-184	Take-Up Belt Idler Roller & Arm
R3-T-188	Film Take-Up Roller, Stud & Bracket
BE-528	Belt Projector Drive Timing
BR-895	Bracket Pad Roller Arm
CR-674	Cover Drive-Side
NU-86	Nut Projector Driven Pulley Fastening
PY-826	Pulley Take-Up Belt
PY-827	Pulley Projector Drive (Large)
PY-829	Pulley Projector Driven
SC-898	Screw Projector Driven Pulley Fastening
SC-905	Screw Pad Roller Arm Retaining
SC-981	Screw Proj. Drive & Take-Up Belt Pulleys Fastening (3)
SC-1395	Screw Pad Roller Arm Bracket Fastening (3)
WA-77	Washer Projector Driven Pulley Fastening Nut

PART NO.	DESCRIPTION	
R3-T-181	PAD ROLLER ARM ASSEMBLY (SPECIAL)	
C1-C-21	Pad Roller Shaft & Knob	
R3-T-186	Pad Roller Arm Stud, Knob & Bushing	
AR-21	Arm	Pad Roller
BL-18	Ball	Pad Roller Arm (2)
NU-8	Nut	Pad Roller Adjusting Screw Stop
RO-100	Roller	Pad
SC-87	Screw	Pad Roller Adjusting
SC-88	Screw	Pad Roller Shaft & Knob Fastening
SG-21	Spring	Pad Roller Arm Ball (2)
R3-T-182	TIMING BELT IDLER PULLEY AND ARM (SPECIAL)	
R3-T-183	Timing Belt Idler Pulley, Stud and Ball Bearings	
AR-144	Arm	Timing Belt Idler Pulley
NU-306	Nut	Timing Belt Idler Pulley Stud
SC-950	Screw	Idler Pulley Arm Fastening
SC-1774	Screw	Idler Pulley Arm Locating
WA-77	Washer	Timing Belt Idler Pulley Stud and Screw (2)
R3-T-183	TIMING BELT IDLER PULLEY ASSEMBLY (SPECIAL)	
BG-204	Bearing	Timing Belt Idler Pulley Ball (2)
PY-828	Pulley	Timing Belt Idler
SC-536	Screw	Timing Belt Idler Pulley Fastening
SU-1773	Stud	Timing Belt Idler Pulley Retaining
WA-70	Washer	Timing Belt Idler Pulley Retaining Screw
R3-T-184	TAKE-UP BELT IDLER ROLLER & ARM ASSEMBLY (SPECIAL)	
R3-T-185	Take-Up Belt Idler Roller and Stud	
AR-142	Arm	Take-Up Idler Roller
NU-38	Nut	Take-Up Idler Roller Arm Fastening Screw
NU-306	Nut	Take-Up Idler Roller Stud
SC-866	Screw	Take-Up Idler Roller Arm Fastening
WA-77	Washer	Take-Up Idler Roller Stud
WA-83	Washer	Take-Up Idler Roller Arm Fastening Screw
R3-T-185	TAKE-UP BELT IDLER ROLLER ASSEMBLY (SPECIAL)	
R3-T-187	Take-Up Belt Idler Roller and Bushings	
SC-536	Screw	Take-Up Belt Idler Roller Retaining
SU-1770	Stud	Take-Up Belt Idler Roller
WA-70	Washer	Take-Up Belt Idler Roller Retaining Screw
R3-T-188	FILM TAKE-UP ROLLER, STUD AND BRACKET ASSEMBLY (SPECIAL)	
R3-T-189	Film Take-Up Roller and Stud	
BR-918	Bracket	Take-Up Roller
SC-137	Screw	Take-Up Roller Bracket Mounting
WA-141	Washer	Take-Up Roller Bracket Mounting Screw Lock
R3-T-189	FILM TAKE-UP ROLLER AND STUD ASSEMBLY (SPECIAL)	
RO-104	Roller	Film Take-Up
SC-536	Screw	Film Take-Up Roller Retaining
SU-1815	Stud	Film Take-Up Roller Retaining

PART NO.	DESCRIPTION
R3-T-210	CONVERSION KIT (POLY"V"BELT)(60 CYCLE)(MOTOR TO REPR.DRIVE)
BE-899	Belt Motor to Reproducer Poly "V" Drive
PY-839	Pulley Motor Drive (Poly "V")
PY-840	Pulley Motor Driven (Large) (Poly "V")
SC-620	Screw Motor Drive Pulley Fastening
SC-902	Screw Motor Driven Pulley Fastening (2)

Note: Specify R3-T-210A Kits For Use With
Motors Having 1/2" Shafts

R3-T-220	MOTOR RESISTOR KIT (SLOW STARTING) (FOR CENTURY MOTORS)
EN-25	Enclosure Resistor Housing
GM-79	Grommet Enclosure Wire (Rubber)
NU-60	Nut Resistor Fastening Screw (2)
PE-970	Plate Resistor Kit Mount (With Century Motors Only)
RS-299	Resistor Motor (25 ohms - 40 watts)
SA-607	Spacer Enclosure Mounting (2)
SC-605	Screw Resistor Fastening (2)
SC-1442	Screw Enclosure Mounting (2)
WI-275	Wire Red and Brown (10" Long - #16 Gauge) (2)

Reference: Drawing E-1923-2 For Century Motors
Drawing E-1923-3 For Westinghouse Motors

R3-T-230A	CONVERSION KIT(POLY"V"BELT)(50 CYCLE) (STANDARD DRIVES)
BE-899	Belt Motor To Reproducer Drive (Poly "V")
MO-55	Motor Drive (50 Cycle) (230 Volts) (5/8" Motor Shaft)
PY-840	Pulley Motor Driven Poly V Belt
PY-967	Pulley Motor Drive Poly"V" Belt (50 Cycle)
SC-502	Screw Motor Driven Pulley Fastening (2)
SC-620	Screw Handwheel & Motor Drive Pulley Fastening (2)
WH-166	Wheel Motor Hand-

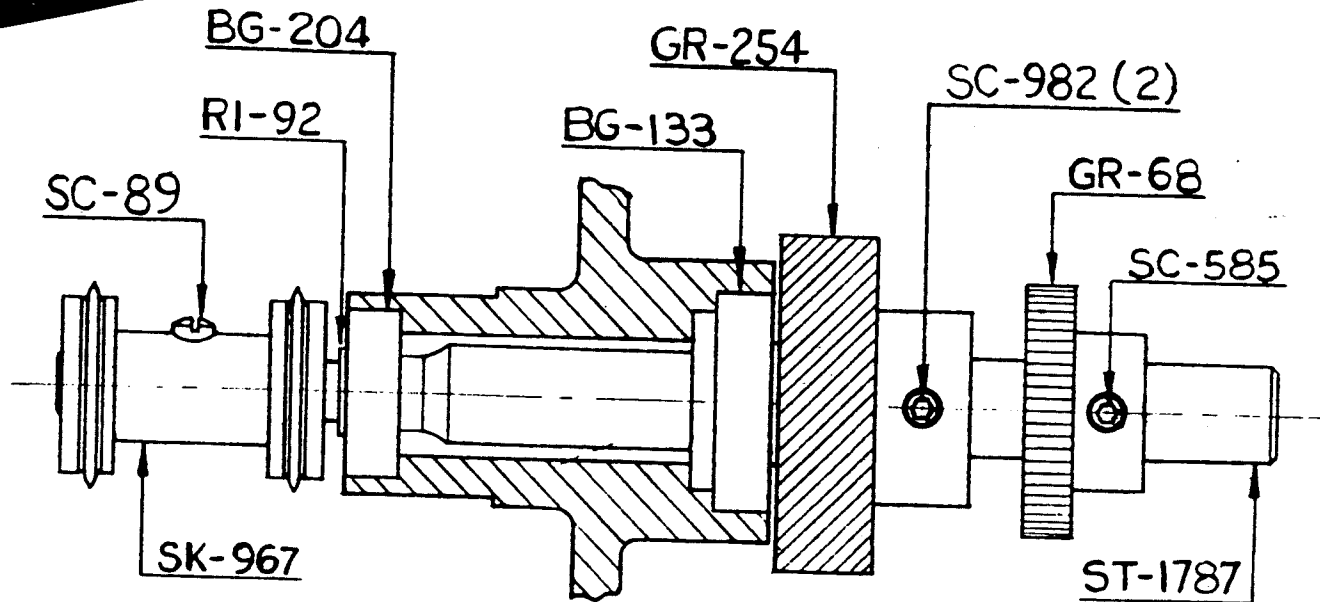
MR3-T-230	CONVERSION KIT (POLY"V"BELT) (50 CYCLE) (DIRECT-DRIVE)
BR-1067	Bracket Motor
CR-738	Cover Drive-Side
MO-55	Motor Drive (50 Cycle) (230 Volts) (5/8" Shaft)
PY-968	Pulley Motor Drive Poly "V" Belt
SC-572	Screw Cover Retaining (3)
SC-620	Screw Motor Drive Pulley Fastening
SC-981	Screw Motor Hand-Wheel Fastening
WH-256	Wheel Motor Hand-



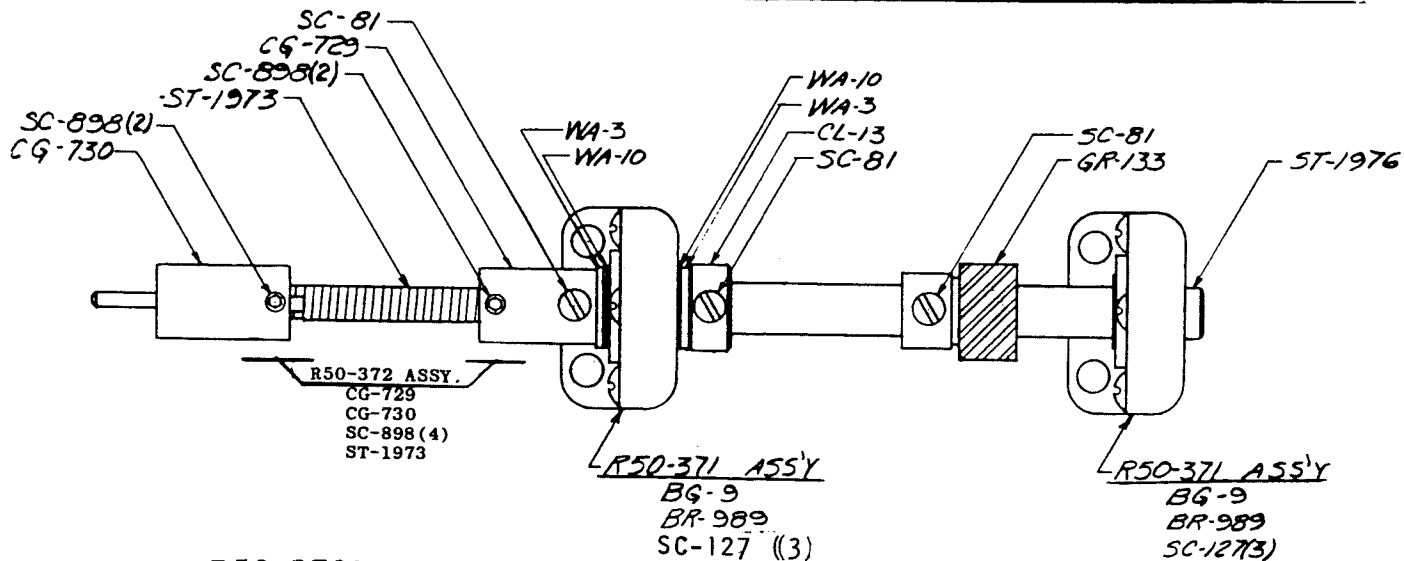
DESCRIPTION



**PROJECTOR MECHANISM - SOUND REPRODUCER
DIRECT-DRIVE**



R50-70 ASSEMBLY
MAIN DRIVE SHAFT
DIRECT-DRIVE
(PARTS DESCRIPTION
ON PAGE 6)



R50-370A ASSY.
OPTICAL SOUND REPRODUCER
VERTICAL DRIVE SHAFT ASSEMBLY (COMPLETE)
DIRECT-DRIVE--FLEXIBLE SHAFT TYPE

CENTURY PROJECTOR CORP.

165 WEST 46th STREET
NEW YORK, N. Y. 10036