

Film-Tech

The information contained in this Adobe Acrobat pdf file is provided at your own risk and good judgment.

These manuals are designed to facilitate the exchange of information related to cinema projection and film handling, with no warranties nor obligations from the authors, for qualified field service engineers.

If you are not a qualified technician, please make no adjustments to anything you may read about in these Adobe manual downloads.

www.film-tech.com

M O T I O G R A P H
S O U N D S Y S T E M
P A R T S L I S T

APRIL, 1946

MOTIOGRAPH
4431 W. LAKE STREET
CHICAGO 24
ILLINOIS

The following list gives part numbers or ordering information on major assemblies and miscellaneous parts and screws in the SH-7500 Reproducer. Item numbers refer to the SH-7500 Reproducer assembly drawing, WE-7521-6.

<u>Item</u>	<u>Part No.</u>	<u>Name</u>
1	SH-2500	Main Frame Casting
2	SH-2501	Sound Sprocket Retaining Screw
→ 3	SH-7027	Sound Sprocket & Pin Assembly
4	SH-2504	Sound Sprocket Shaft Spacer
5	SH-2507	Sound Sprocket Bearing Cover Plate
6	SH-2549	Ball Bearing
7	SH-2505	Sound Sprocket Equalizing Spacer
8	SH-7000	Sound Sprocket Gear Assembly
9	SH-2506	Sound Sprocket Collar
10	SH-2550	Snap Ring Ball Bearing
11	SH-2508	Ball Bearing Retaining Ring
12	SH-2677	Sprocket Shim Spacer
13	SH-2551	New Departure W-02 Lock Washer
14	SH-2552	New Departure N-02 Lock Nut
15	SH-2510	Sound Sprocket Shaft
16	SH-2667	#404 Woodruff Key
17	SH-2511	Chain Sprocket Shaft Bearing Cap
18	SH-2512	Chain Sprocket Shaft Spacer
19	SH-7047	Chain Sprocket Drive Gear
20	SH-2514	Chain Sprocket Drive Shaft Collar
21	SH-7044	Film Compartment Window and Nameplate Assembly
22	SH-2515	Chain Sprocket Drive Shaft
23		
24	SH-2516	Drive Pinion
25	SH-2517	Framing Knob
26	SH-2523	Impedance Drum Retaining Clip
27	SH-2765	Motor Drive Shaft Pinion
28	SH-2758	Motor Drive Shaft Spacer
29	SH-2519	Motor Drive Shaft
30	SH-2520	Motor Drive Shaft Bearing Retaining Ring
31	SH-7002	P.E.C. Bracket Assembly
32	SH-7003	Impedance Roller Assembly
33	SH-7004	Lens Mirror Assembly
34	SH-7005	Pad Roller Assembly (top)
35	SH-7006	Pad Roller Assembly (bottom)
36	SH-7007	Sound Sprocket Gear Oiling Tube Assembly
37	SH-7012	Terminal Strip Assembly
38	SH-7009	Impedance Drum Assembly
39	SH-2524	Stabilizer Shaft Spacer
40	SH-2525	Stabilizer Shaft Collar
41	SH-2526	Reproducer Lens Tube
42		
43	SH-2527	Stabilizer Retaining Nut
44	SH-7010	Film Compartment Door Assembly
45	SH-7011	P.E.C. Compartment Door Assembly

SH-7500 REPRODUCER

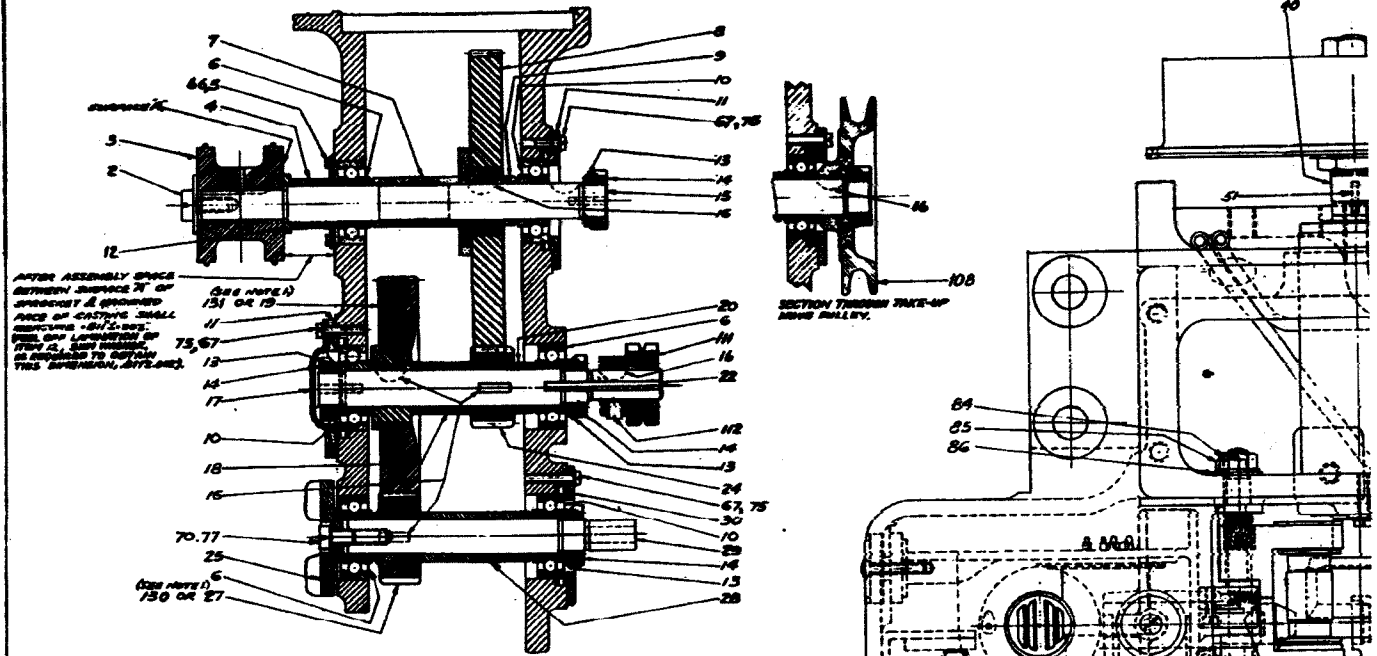
STOCK LIST

Item	Part No.	Name
46		
47	SH-2636	Door Knob
48	SH-2634	Door Hinge
49		
50	SH-2530	Vent Cap for Exciter Lamp Compartment
51	SH-2696	#2 Woodruff Key
52	SH-7008	Chain Sprocket Gear Oiling Tube Assembly
53	SH-2635	Door Flush Strike
54	SH-2668	Door Catch
55	SH-2533	P.E.C. Bracket Cork Washer
56	SH-2534	P.E.C. Bracket Steel Washer
57	SH-2535	Stripper Stud
58	SH-2536	Single Blade Stripper
59	SH-7013	Idler Roller Assembly
60	SH-2537	Idler Roller Shaft
61	SH-2538	Double Blade Stripper
62		#6 (.138")-32 x 3/16" Straight Side Binding Head I.M.S. N.P. (For door glass)
63		#6 (.138")-32 x 1/4" Thread Cutting Straight Side Binding Head Screw, N.P. (Hinge screws)
64		
65		#6 (.138")-32 x 1/4" R.H.I.M.S., N.P. (Door catch screw)
66		#6 (.138")-32 x 3/8" Fil.H.I.M.S.N.P. (Used with 11, 17, 30, 5, 87, & 53)
67		
68		#8 (.164")-32 x 5/8" Fil.H.I.M.S.,N.P.(Used with 34, 35, 47, 61,81, & 82)
69	SH-2731	1/4"-20 L.H.Thd. x 5/16" Fil.H.I.M.S., N.P. (Used with 59,73)
70	SH-2732	1/4"-32 L.H.Thd. x 3/4" Fil.H.I.M.S., N.P. (Used with 25)
71		3/8"-16 Std. Hex. Iron Nut (Used with 60)
72		#8 (.164") Std. St. Washer, N.P. (Used with 33, 189, 190)
73		1/4" Std. Steel Washer, N.P. (Used with 59)
74	SH-2633	Film Compartment Door Window Retaining Clip
75		#1206 Shakeproof Lockwasher (Used with 11,17,30,53,54,87)
76		#1208 Shakeproof Lockwasher (Used with 47)
77		#1214 Shakeproof Lockwasher (Used with 25)
78		#1210 Shakeproof Lockwasher (Used with 37, 58, 26)
79		#10 (.190")-32 x 3/8" R.H.I.M.S., N.P. (Used with 37,58,26)
80		5/16-18 x 3/4" Hex.Hd. Stl. Cap Screw (Used with 116)
81	SH-2540	Oil Tube Double Clamp
82	SH-2541	Oil Tube Single Clamp
83		#8 (.164") Std. Steel Lockwasher (Used with 81,82,68,189)
84	SH-2542	P.E.C. Adjusting Stud (Used with 31)
85		1/4"-20 Std. Hex. Iron Nut, N.P. (Used with 31)
86		1/4" Std. Steel Lockwasher (Used with 31)
87	SH-2633	Door Flush Strike
88		#10 (.190")-24 x 15/16" O.H.I.M.S., N.P. (Used with 31)
89		#10 (.190")-24 x 1-5/16"O.H.I.M.S., N.P. (Used with 31)
90	SH-7016	Rotary Stabilizer Assembly
91	SH-2522	Motor Coupling
92	SH-7017	Oil Pan Assembly
93	PS-1460	3/8-16 x 1-1/4" Hex.Hd.Screw N.P. (Sound Head Mtg. Screw)
94		3/8 Std. Steel Washer, N.P.
95	PS-1461	5/16"-18x1-1/4" Hex.Hd.Stl.Cap Screw, N.P. (Sound Head Mtg. Screw)

<u>Item</u>	<u>Part No.</u>	<u>Name</u>
96		5/16" Std. Steel Washer, N.P. (Used with 99, 120)
97		5/16"-18 x 5/8" Fil. Hd.Stl. Screw H.P. (Used with 128)
98		5/16" Std. Split Lock Washer N.P. (Used with 80, 120)
99	SH-2693	Lower Mag.Mtg.Screw, 5/16x1" Fil.Hd.I.M., N.P. (Undercut)
100		7/16"-14x1" Hex.Hd.Motor Bracket Mtg. Screw, N.P.
101		7/16" Std. Motor Bracket Mtg. Washer, N.P.
102		
103		1/4-20x3/4 Hex.Hd.Cap Screw N.P., Slotted (Used with 129,174)
104		
105		
106		
107		
108	SH-2509	Takeup Belt Drive Pulley
109		
110		
111	SH-2532	Drive Chain Sprocket
112		1/4-20 x 5/16 Allen Cup Point Set Screw
113	SH-2543	Drive Chain for Model K and Simplex Projectors
114	SH-2669	Simplex Takeup Drive Pulley
115	SH-2674	Takeup Belt, 5/16" Dia., 3 ft. long
116	SH-2670	Adapter Plate
117	SH-2680	Simplex Mechanism Oil Shield
118	SH-7032	Rear Guard Assembly, Model K and Simplex Projectors
119	SH-2544	Motor Bracket
120	SH-2545	Motor Adjusting Screw
121	SH-2546	Motor Adjusting Screw Spacer
122	SH-2547	Motor Adjusting Screw Nut
123		
124		5/16-18 Std.Hex.Iron Nut, N.P. (Used with 119,120,126)
125		
126		5/16-18x1-1/4" Hex.Hd.I.M. Screw, N.P. (Used with 119,134)
127	SH-2618	Motor (50 cycle, 110 volt)
128	SH-7014	Takeup Belt Idler Assembly
129	SH-7015	Drive Chain Idler Assembly (Model K and Simplex Projectors)
130	SH-2694	Helical Pinion Assembly (Replaces Item 27 for 50 cycle, operation)
131	SH-2695	Gear (Replaces Item 19 for 50 cycle operation)
132	SH-2725	Photo Electric Cell
133	SH-2671	Exciter Lamp, 9 volt, 4 ampere, S.C.Bay. Pref. Base BXM
134	SH-2673	Motor (60 cycle, 115 volt)
135	SH-2722	P.E.C. Bracket Countersunk Washer
136	SH-2675	Lens "B" Clamp Ring Extractor Tool (not shown on WE-7521)
137	SH-2755	Gasket for SH-2680
138	SH-2779	7/32" Dia. Steel Ball
139	SH-2605	Spring - for pad roller Assembly
140	SH-2730	Pad Roller
141	SH-2750	1/4-32 x 5/8" LG Tapered Oval Filister Head I.M.S.
142	SH-2589	Impedance Roller Tension Spring
143		
144	SH-7030	Projector Mechanism Drive Assembly, Model K & Simplex Proj. a. Oil Cup, Simplex SH-2706 (Short) b. Oil Cup, Motiograph SH-2741 (Long) c. Locknut SH-2708

<u>Item</u>	<u>Part No.</u>	<u>Name</u>
145		
146	SH-2727	Simplex Lower Magazine Friction Spring
147	SH-7038	HK Projector Drive, Gear and Sprocket Assembly
148	SH-7039	HK Projector Drive, Idler Gear Assembly
149	CS-1783-C	HK Mechanism Drive Shaft (CS-1701-C less CS-1102 Sprocket)
150	SH-2712	HK Projector Drive, Gear Bracket
151	SH-2713	HK Projector Drive, Gear & Sprocket Shaft
152	SH-2714	HK Projector Drive, Sprocket (Used with 149)
153	SH-2698	HK Projector Drive, Chain
154		5/16-18 x 1" Hex. Head Cap Screw, N.P. (Used with 150)
155		5/16-18 x 1/4" Allen Cup Point Set Screw (Used with 152)
156	SH-2736	Motor Bracket Cover Plate
157		5/16 Std. Steel Washer, N.P. (Used with 154)
158		1/4-20 x 1/4" Allen Cup Point Set Screw (Used with 148)
159		1/4-20 x 3/8" Allen Cup Point Set Screw (Used with 150)
160	TU-725	SH-7500 Reproducer Takeup Assembly, complete
161		3/8-16 x 3/4" Hex.Hd. Cap Screw, N.P. (Used with 116)
162		5/16-18 x 1-1/2" Hex. Hd. Cap Screw, N.P. (Used with 163)
163	CS-1445	Mechanism Adapter Plate, Motiograph K and HK
164		6/32 x 1/4" Straight Side Binding Head I.M.S., N.P. (for 156)
165	TU-476	Lock Nut
166	TU-724	Shaft Assembly
167	TU-490	Pulley and Hub
168	TU-718	Bushing Assembly
169	TU-467	Tension Adjusting Nut
170	TU-466	Tension Spring
171	TU-714	Gripping Ring and Disc Assembly
172	TU-468	End Thrust Ball Bearing
173	SH-7042	Rear Guard Assembly (HK only)
174	SH-7040	Drive Chain Idler Bracket Assembly (HK only)
175	PS-1461	5/16-18 x 1-1/4" Hex. Head Cap Screw, N.P. (Used with 163)
176		#1-72 x 1/8" Lg. R.H. B.M.S. Nic.Pl.
177	SH-2602	Clip
178	SH-2596	Lens
179	SH-2598	Locknut Ring
180	SH-2597	Cork Gasket
181		1-72 x 1/8 Fil.H B.M.S. N.P.
182	SH-2600	Clamp Plate
183	SH-2599	Mirror
184		#4 Brass Washer N.P.
185		4-36 x 1/4" Fil. H. B.M.S. N.P.
186	SH-2601	Mirror Holder
187	SH-2737	Spring
188	SH-2603	Mirror
189		8-32 x 7/8" Fil. Hd. I.M.S. N.P. (Used with 33)
190	SH-485	Nut (Used with 33)

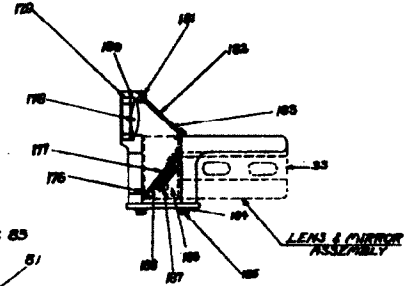
WE-7521



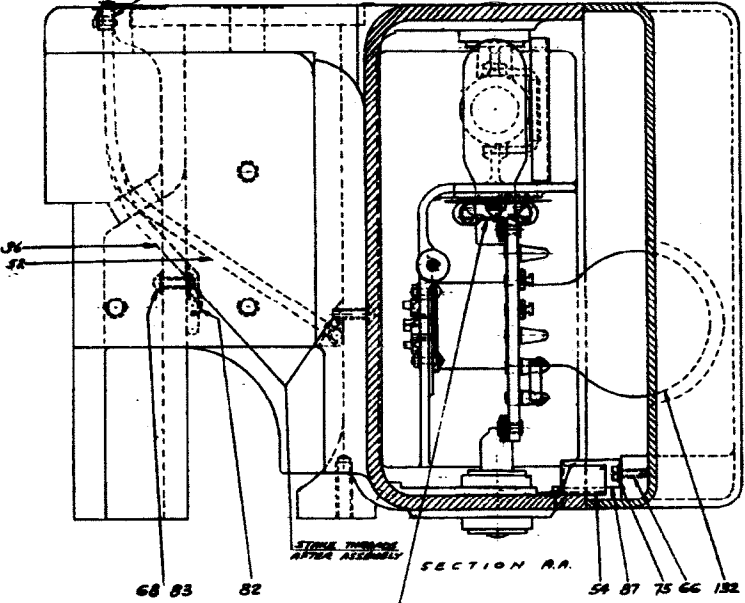
APPROX ASSEMBLY SPACE
BETWEEN SURFACE X OF
SPROCKET & SPINDLE
FACE OF CASTING SHALL
BE 0.0025" ± 0.0005"
MIN. AND MAXIMUM OF
0.0025" ± 0.0005"
IS 0.0025" ± 0.0005"
THIS DIMENSION, SEE NOTE 1

SECTION THROUGH TAKE-UP
MOTOR ROLLER

DEVELOPED SECTION ON B.B.

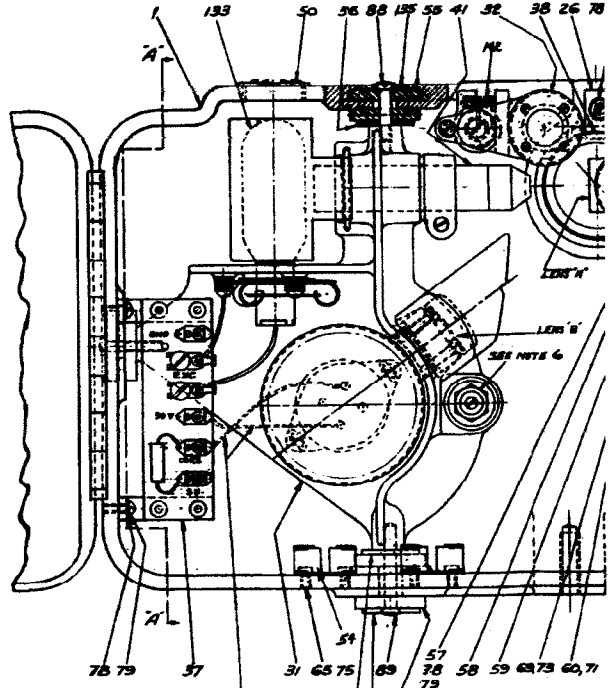


LENS & MIRROR
ASSEMBLY



SECTION R.A.

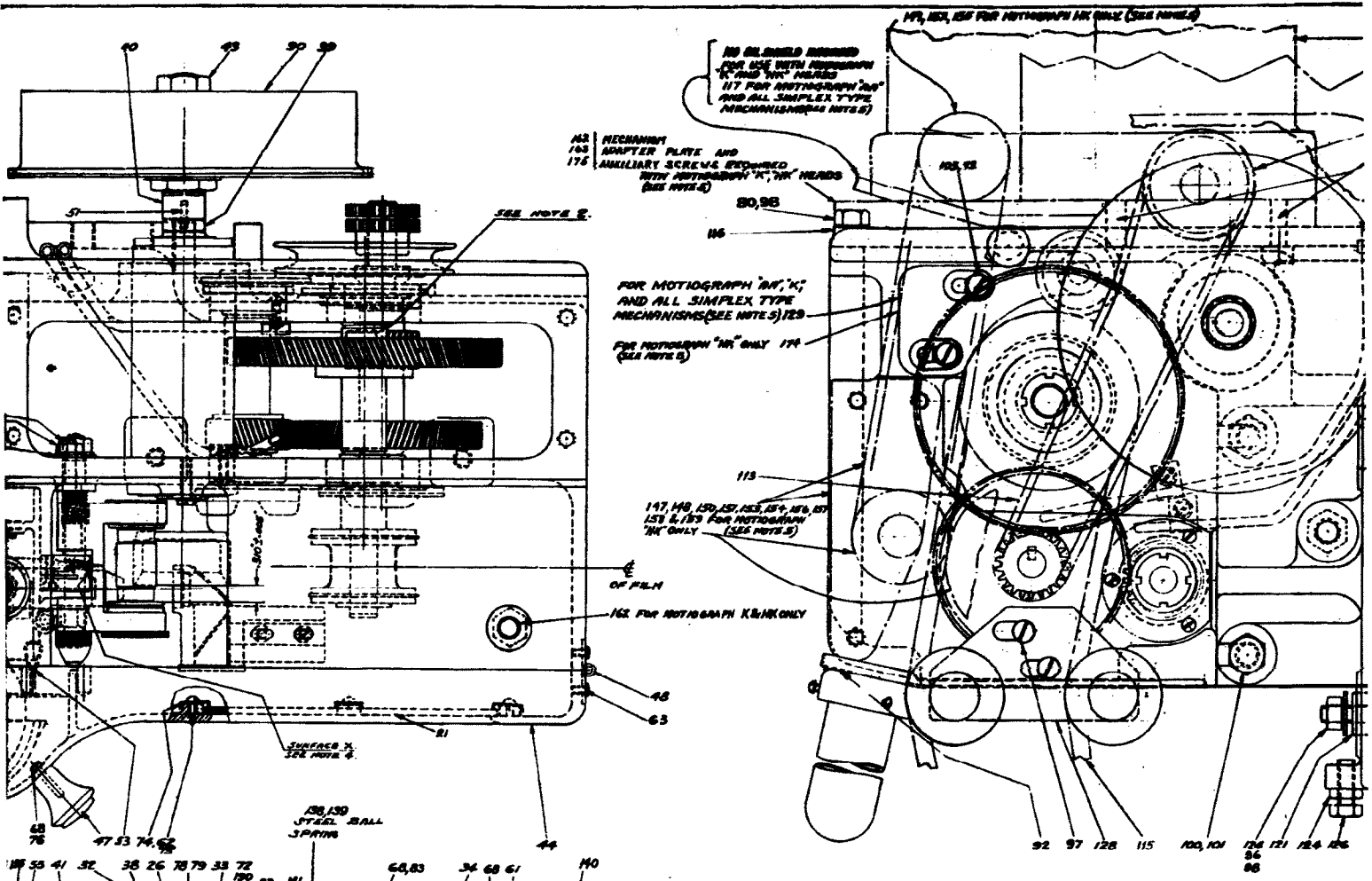
SEE NOTE 3



SECTION A-A

SEE NOTE 3

6. ADJ.
SETT.
JUST
FILM



NO OIL SHIELD REQUIRED FOR USE WITH PHOTOGRAPH "K" AND "M" HEADS 117 FOR PHOTOGRAPH "M" AND ALL SIMPLEX TYPE MECHANISMS (SEE NOTE 2)

MECHANISM ADAPTER PLATE AND AUXILIARY SCREWS REQUIRED WITH PHOTOGRAPH "K" HEADS (SEE NOTE 4)

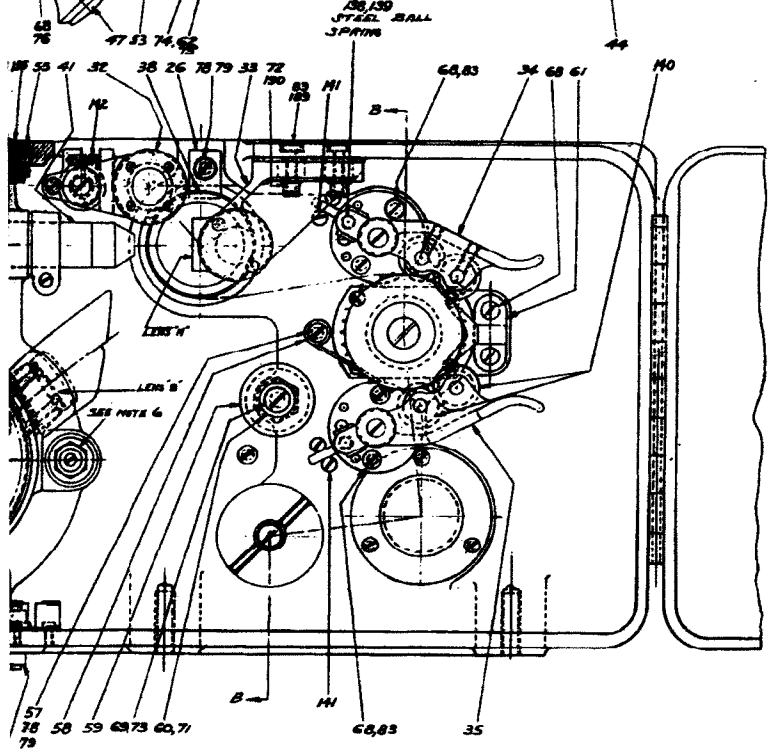
FOR MOTIOPHOTOGRAPH "M", "K", AND ALL SIMPLEX TYPE MECHANISMS (SEE NOTE 5) 123

FOR PHOTOGRAPH "M" ONLY 174 (SEE NOTE 5)

147, 149, 150, 151, 152, 153, 154, 155, 156, 157, 158, 159 FOR PHOTOGRAPH "M" ONLY (SEE NOTE 5)

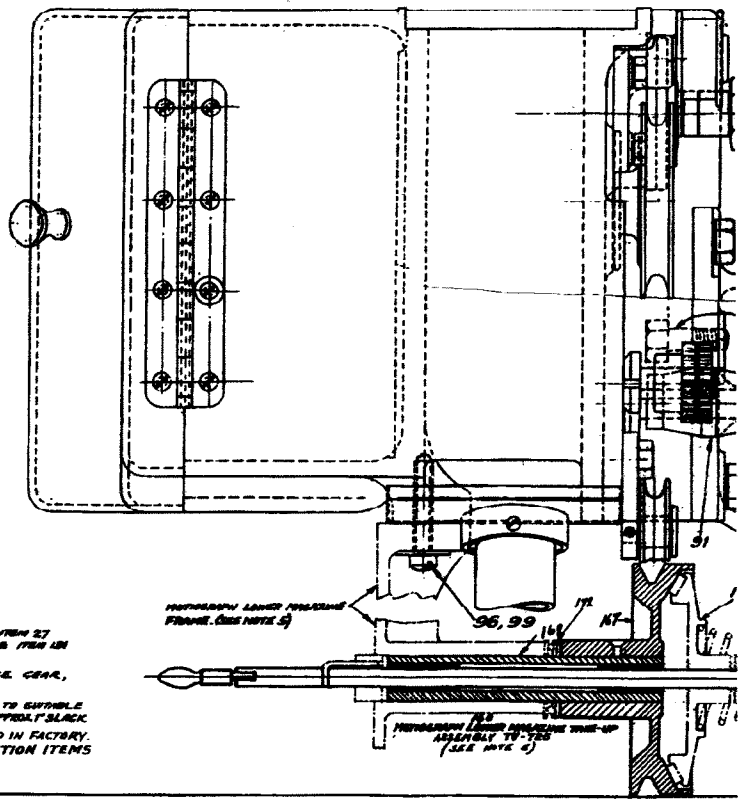
OF FILM 162 FOR PHOTOGRAPH "K" ONLY

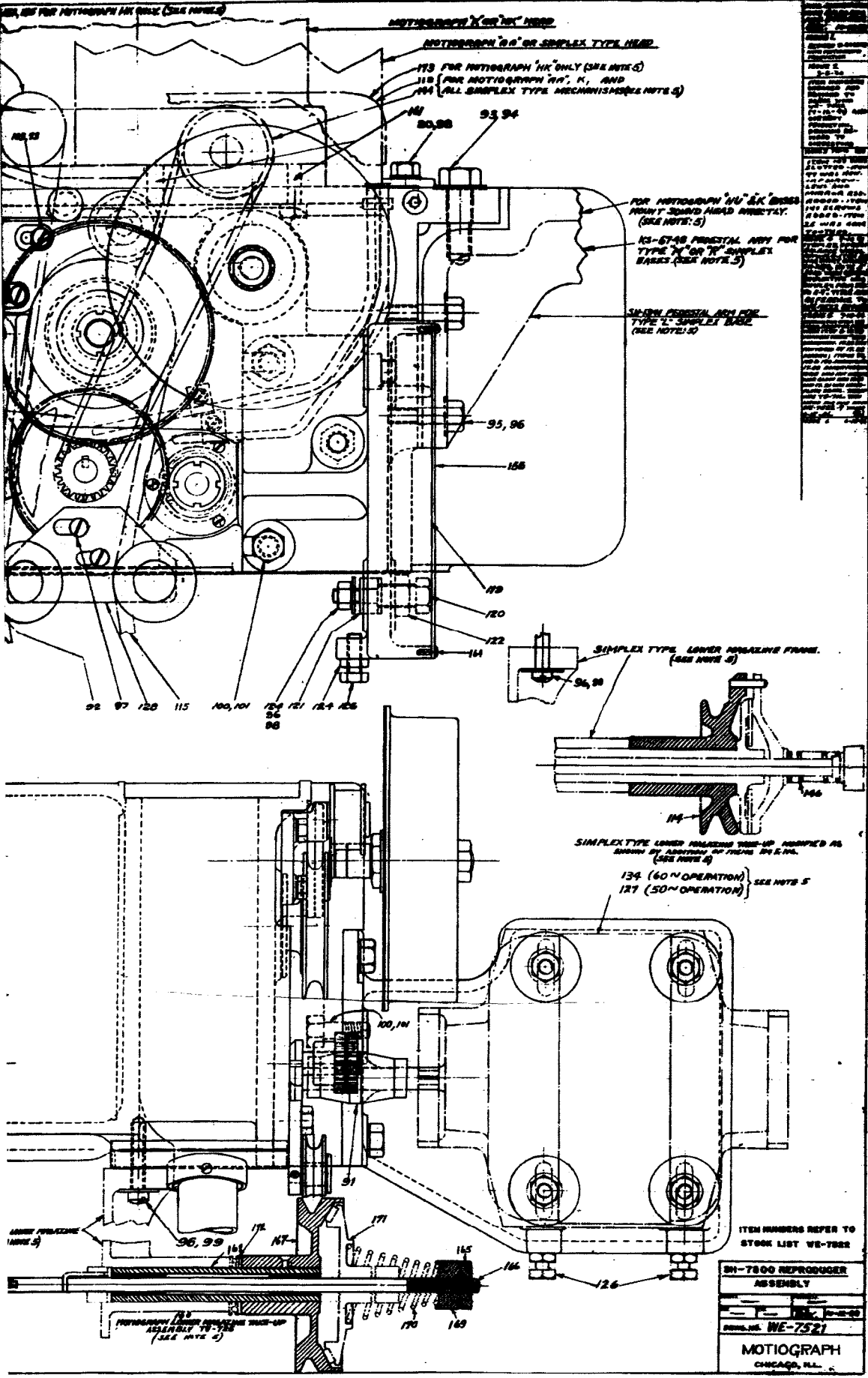
117, 151, 157 FOR PHOTOGRAPH "M" ONLY (SEE NOTE 5)



6. ADJUST SCREW & NUT DURING LENS TUBE SETTING SO THAT FOCUSED LIGHT BEAM JUST CLEARS EDGE OF IMPINGEMENT DRUM FILM ROLLER.

- NOTES:-
1. FOR 311-7500 (60") USE ITEM 10 GEAR & ITEM 27 PIVOT ASSEMBLY, FOR 311-7501 (50") USE ITEM 10 GEAR & ITEM 130 PIVOT ASSEMBLY.
 2. OIL TUBE TO BE MOUNTED TO CLEAR LARGE GEAR, AND BE ABLE TO LUBRICATE PIVOT.
 3. LENGTH OF REC. SOCKET LEADS SHALL BE CUT TO SUITABLE LENGTH BEFORE SOLDERING TO TORQUE STRIP ALLOY APPROX. 3/8".
 4. SPRING PRESSURE ON SURFACE X ADJUSTED IN FACTORY.
 5. ALL PARTS SHOWN DOT DASH ARE ADAPTATION ITEMS SUPPLIED ONLY AS REQUIRED.





MOTIOGRAPH SOUNDHEAD REPLACEMENT PARTS

PART NO.	DESCRIPTION	UNIT LIST PRICE
SH 1113	Exciter Lamp (10 volt, 5 amp.) "BXN"	\$.75
SH 1130	Slit Lens Unit (Repair-exchange)	15.00
SH 1135	Photo Electric Cell (71-A or CE-2)	6.00
SH 1159	Handle Screw for Tension Pad	.25
SH 1167	Ball Bearing Guide Roller	2.50
SH 1169	Spring for Roller Lever	.30
SH 1194 *	Felt Retainer for Main Bearing (small) Order SH 1733-C	
SH 1195 *	Felt Retainer for Main Bearing (large) Order SH 1734-C	
SH 1198	Sound Sprocket Order SH 1632	
SH 1200	Roller on Tension Bracket (small)	1.25
SH 1268	Chain from Drive Wheel to Mechanism Drive Shaft (126 links)	10.00
SH 1308	Rheostat for Exciter Lamp	12.00
SH 1341	Sound Box Support Casting	20.00
SH 1345	Shaft for SH 1742-C Gear	9.00
SH 1370	83 Link Mechanism Drive Chain	16.00
SH 1415	Photo Electric Cell (CE-1)	6.00
SH 1441	Screw Bearing for Simplex	1.50
SH 1512	Slit Lens Unit (Repair-exchange)	15.00
SH 1516	Photo Electric Cell (51-A or CE-20)	6.00
SH 1559	Film Tension Shoe	4.00
SH 1560	Tension Plate for SH 1559	4.00
SH 1561	Shoulder Screw for SH 1559 Tension Shoe	.10
SH 1562	Coil Spring for SH 1561	.05
SH 1566	Set Screw for SH 1559	.10
SH 1568	Photo Electric Cell Lead (2 conductor)	2.50
SH 1574	Neon Pilot Lamp (115 volt, 2 watt)	1.00
SH 1579	"V" Drive Belt for Simplex (51" long) Order PS 1447	
SH 1620	Film Guide Roller (large)	15.00
SH 1623	Lens Assembly	45.00
SH 1632	Holdback Sprocket	10.00
SH 1733-C	Felt Retainer (small) for Main Shaft	2.00
SH 1734-C	Felt Retainer (large) for Main Shaft	3.00
SH 1742-C	40 Tooth Bakelite Gear and 17 Tooth Pinion	17.50
SH 2176	Drive Belt Order PS 1444	
SH 2214	Photo Electric Cell (71-A, short prongs)	7.00

* Not sold separately

MOTIOGRAPH SOUNDHEAD REPLACEMENT PARTS

PART NO.	DESCRIPTION	UNIT LIST PRICE
SH 2215	Tension shoe	\$ 7.50
SH 2501	Screw	1.00
SH 2505	Equalizer Spacer	2.00
SH 2509	Take-Up Pulley	7.50
SH 2510	Sound Sprocket Shaft	12.50
SH 2515	Chain Sprocket Drive Shaft	12.50
SH 2516	Chain Sprocket Pinion	4.50
SH 2517	Framing Knob	1.75
SH 2519	Shaft	11.00
SH 2522	Motor Coupling	2.50
SH 2526	New Lens Assembly	40.00
SH 2530	Vent Cap	2.00
SH 2532	Drive Chain Sprocket	7.50
SH 2533	Cork Washer	.20
SH 2537	Guide Roller Shaft	7.50
SH 2538	Double Blade Stripper	2.50
SH 2539	Socket Lead	.50
SH 2542	P. E. C. Adjusting Stud	1.50
SH 2543	Drive Chain, SILENT	20.00
SH 2544	Motor Bracket	18.00
SH 2545	Screw	.75
SH 2546	Spacer	.50
SH 2547	Nut	.50
SH 2549	Ball Bearing (#87502)	3.00
SH 2550	Ball Bearing (# 487502)	3.00
SH 2551	Lockwasher	.15
SH 2552	Lock nut	.75
SH 2555	Chain Sprocket Drive Pinion	7.50
SH 2557	P. E. C. Bracket	25.00
SH 2558	Exciter Lamp Socket	.25
SH 2559	Lamp Socket Mounting Plate	.30
SH 2560	Insulating Washer	.10
SH 2561	Washer	.10
SH 2562	Insulating Bushing	.10
SH 2564	Vacuum Tube Socket	.15

MOTIOGRAPH SOUNDHEAD REPLACEMENT PARTS

PART NO.	DESCRIPTION	UNIT LIST PRICE
SH 2566	Adjusting Stud	\$ 1.25
SH 2568	Adjusting Stud Washer	.15
SH 2572	Lens "B"	5.00
SH 2573	Shield for Lens "B"	3.50
SH 2578	Impedance Roller Shaft	7.50
SH 2579	Impedance Pivot Shaft	10.00
SH 2581	Impedance Roller Spring Support	3.00
SH 2583	Impedance Roller	10.00
SH 2584	Impedance Roller (shouldered)	10.00
SH 2587	Roller Shaft Key	.10
SH 2589	Roller Tension Spring	.10
SH 2590	Roller Compression Spring	.10
SH 2591	Roller Ring	.75
SH 2592	Ball Bearing (#77034)	5.00
SH 2596	Lens "A"	5.00
SH 2597	Cork Gasket	.10
SH 2599	Mirror	2.50
SH 2600	Clamp Plate	.15
SH 2601	Mirror Holder	4.00
SH 2602	Clip	.15
SH 2603	Mirror	2.50
SH 2604	Pad Roller Pivot Arm	10.00
SH 2605	Locking Spring	.10
SH 2606	Pad Roller Shaft	.50
SH 2626	Ball Bearing (#43202)	5.00
SH 2627	Ball Bearing (#3202)	5.00
SH 2630	Impedance Drum Shaft Dust Ring	.35
SH 2632 *	Window	Order SH 7044
SH 2633	Window Clip	.15
SH 2634	Door Hinge	.50
SH 2635	Flush Strike	.10
SH 2636	Door Knob	.75
SH 2637	P. E. C. Compartment Door	10.00
SH 2642	Resistor for SH 7012	.25
SH 2647	Take-up Belt Idler Pulley	2.50

* Not Sold Separately

MOTIOGRAPH SOUNDHEAD REPLACEMENT PARTS

PART NO.	DESCRIPTION	UNIT LIST PRICE
SH 2649	Chain Idler Bracket	\$ 2.50
SH 2650	Chain Idler Pulley	3.00
SH 2660	Ball Bearing (#1206)	5.00
SH 2667	Woodruff Key	.10
SH 2668	Door Catch	.20
SH 2669	Simplex Take-Up Drive Pulley	9.00
SH 2670	Adapter Plate	15.00
SH 2671	Exciter Lamp (9 volt, 4 amp.) "BX/M"	1.00
SH 2673	Motor for SH-7500 Reproducer	35.00
SH 2674	Take-Up Belt (5/16" round x 36" long)	1.25
SH 2675	Lens "B" Retaining Ring Extractor	.20
SH 2677	Spacer	1.00
SH 2678	Drive Chain Sprocket	11.00
SH 2680	Simplex Oil Pan	7.00
SH 2687	Pinion	14.00
SH 2688	Shaft	12.00
SH 2693	Screw	.50
SH 2696	Woodruff Key	.10
SH 2698	Drive Chain	20.00
SH 2706	Oil Cup	.75
SH 2708	Oil Cup Lock Nut	.50
SH 2712	Projector Drive Gear Bracket	7.50
SH 2713	Projector Drive Gear Stud	11.00
SH 2714	Gear Driven Sprocket	12.50
SH 2722	Washer	.35
SH 2723	Exciter Lamp Contact	.50
SH 2725	Photo Electric Cell	6.00
SH 2727	Simplex Lower Magazine Friction Spring	.35
SH 2730	Pad Roller	3.00
SH 2731	Screw	.50
SH 2732	Left Hand Screw	.30
SH 2736	Cover Plate	2.50
SH 2739	Gear Guard for HK Mechanism	9.00
SH 2741	Oil Cup	.75
SH 2750	Adjusting Screw	.20

MOTIOGRAPH SOUNDHEAD REPLACEMENT PARTS

PART NO.	DESCRIPTION	UNIT LIST PRICE
SH 2755	Gasket for SH 2680	\$.50
SH 2758	Spacer	1.50
SH 2759	Motor Terminal Block	2.75
SH 2765	Chain Drive Pinion	7.50
SH 2768	Thermal Overload Protection Device (Leland E 436)	1.75
SH 2769	Gear for 1200 RPM	12.50
SH 2773	Oil Cup	.60
SH 2785	1/3 H.P. Motor	60.00
SH 2788	Bearing for SH 7043 Motor	1.00
SH 2789	Resilient mounting Ring for SH 7043 Motor	.60
SH 7000	Bakelite Gear and Bushing	13.00
SH 7001	Chain Sprocket Pinion Assembly	9.00
SH 7002	P. E. C. Bracket Assembly	55.00
SH 7003	Impedance Roller Assembly	60.00
SH 7004	Lens Mirror Assembly	35.00
SH 7005	Upper Pad Roller Assembly	27.50
SH 7006	Lower Pad Roller Assembly	27.50
SH 7007	Oil Tube Assembly (14")	1.00
SH 7008	Oil Tube Assembly (12")	1.00
SH 7009	Impedance Drum Assembly	60.00
SH 7010	Film Compartment Door	20.00
SH 7013	Guide Roller Assembly	12.50
SH 7014	Take-Up Idler Roller Assembly	15.00
SH 7015	Drive Chain Idler Assembly	6.00
SH 7016	Rotary Stabilizer Assembly	75.00
SH 7017	Oil Pan Assembly	10.00
SH 7018	Photo Electric Cell Lens Assembly	12.00
SH 7020	Light Shield	.75
SH 7021	Cushion Roller Assembly	5.00
SH 7022	Mirror Assembly	8.00
SH 7023	Pivot and Stud Assembly	12.00
SH 7025	Pivot and Stud Assembly	12.00
SH 7026	Impedance Drum and Shaft Assembly	27.50
→ SH 7027	Sprocket and Pin Assembly	15.00
SH 7030	Projector Drive Assembly	30.00

MOTIOGRAPH SOUNDHEAD REPLACEMENT PARTS

PART NO.	DESCRIPTION	UNIT	LIST PRICE
SH 7032	Rear Guard Assembly	\$	22.50
SH 7038	HK Projector Drive Gear & Sprocket Assembly		25.00
SH 7039	HK Projector Idler Gear Assembly		15.00
SH 7040	HK Projector Drive Chain Idler		7.50
SH 7043	Motor		50.00
SH 7044	Film Compartment Window and Nameplate Assembly		1.50
SH 7045	Impedance Roller		45.00
SH 7047	Chain Sprocket Pinion Assembly		9.00
SH 7048	Gear for 1200 RPM		15.00