

Film-Tech

The information contained in this Adobe Acrobat pdf file is provided at your own risk and good judgment.

These manuals are designed to facilitate the exchange of information related to cinema projection and film handling, with no warranties nor obligations from the authors, for qualified field service engineers.

If you are not a qualified technician, please make no adjustments to anything you may read about in these Adobe manual downloads.

www.film-tech.com

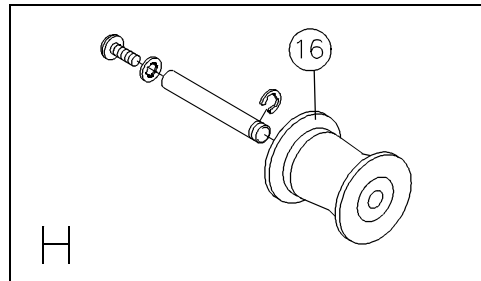
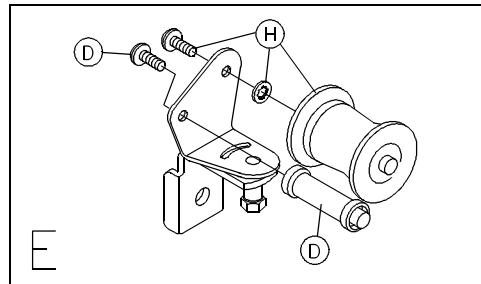
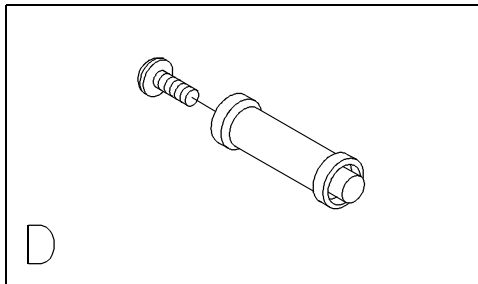
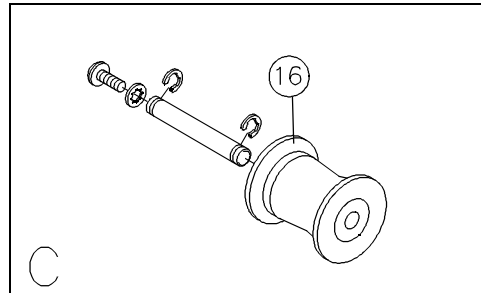
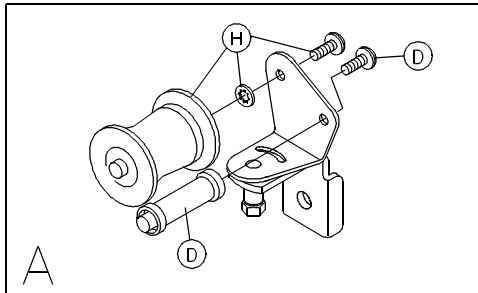
Table 35mm #2560

Parts Manual

Product Information Bulletin #2540

Record Make-up Table identification number here:

Model # _____ Serial # _____



COMMON PULLEY ASSEMBLIES

- A) 4290 Transfer Arm Swivel Assy.-Left
- C) 2612 Shaft #6 & Pulley w/Steel Brgs. 35mm
- D) 2602 Keeper Shaft & Spool Assy.
- E) 4291 Transfer Arm Swivel Assy.-Right
- H) 2686 Shaft #5 & Pulley w/Steel Brgs. 35mm
- 16) 2414 Pulley 35mm 5/16" ID (steel bearings)

Table Top

- C) 2612 Shaft #6 & Pulley w/Steel Brgs. 35mm
- D) 2602 Keeper Shaft & Spool Assy.
- 1) 1284 Table Glide
- 2) 1285 Table Wheel, 2"
- 3) 1746 HHCS 1/4-28 x 1 1/2"
- 4) 1088 Locknut, Nylon Insert, 1/4-28
- 5) 1178 Table Leg End Cap, 1" x 2"
- 6) 1055 HHCS 1/4-28 x 1/2"
- 7) 1312 Table Spindle Pin Adapter
- 8) 1311 Table Reel Drive Pin
- 9) 1534 Table Make-up Spindle Assy.
- 10) 1315 Table Felt Clutch Pad
- 11) 1316 Snap Ring, Outside 3/4"
- 12) 1334 Table Make-up Arm Assy.
- 13) 2367 HWHC 1/4-28 x 5/8"
- 14) 1076 Flatwasher, 1/4"
- 15) 1302 Pulley Bracket-Table
- 16) 1974 Table Pulley Bracket Assy.
- 17) 1071 Screw, PTH 10-32 x 3/8"
- 18) 1078 Lockwasher, #10-Internal Tooth
- 19) 1300 Spring, Extension 7/16 x 4"
- 20) 1299 Table Tensioner Carrier Plate
- 21) 2629 Take-up Slide Shaft & Roller Assy.
- 22) 1298 Table Tensioner Rail
- 23) 1301 Table Tensioner Lower Bracket
- 24) 1297 Table Tensioner Upper Bracket
- 25) 1557 Table Tensioner Assy.

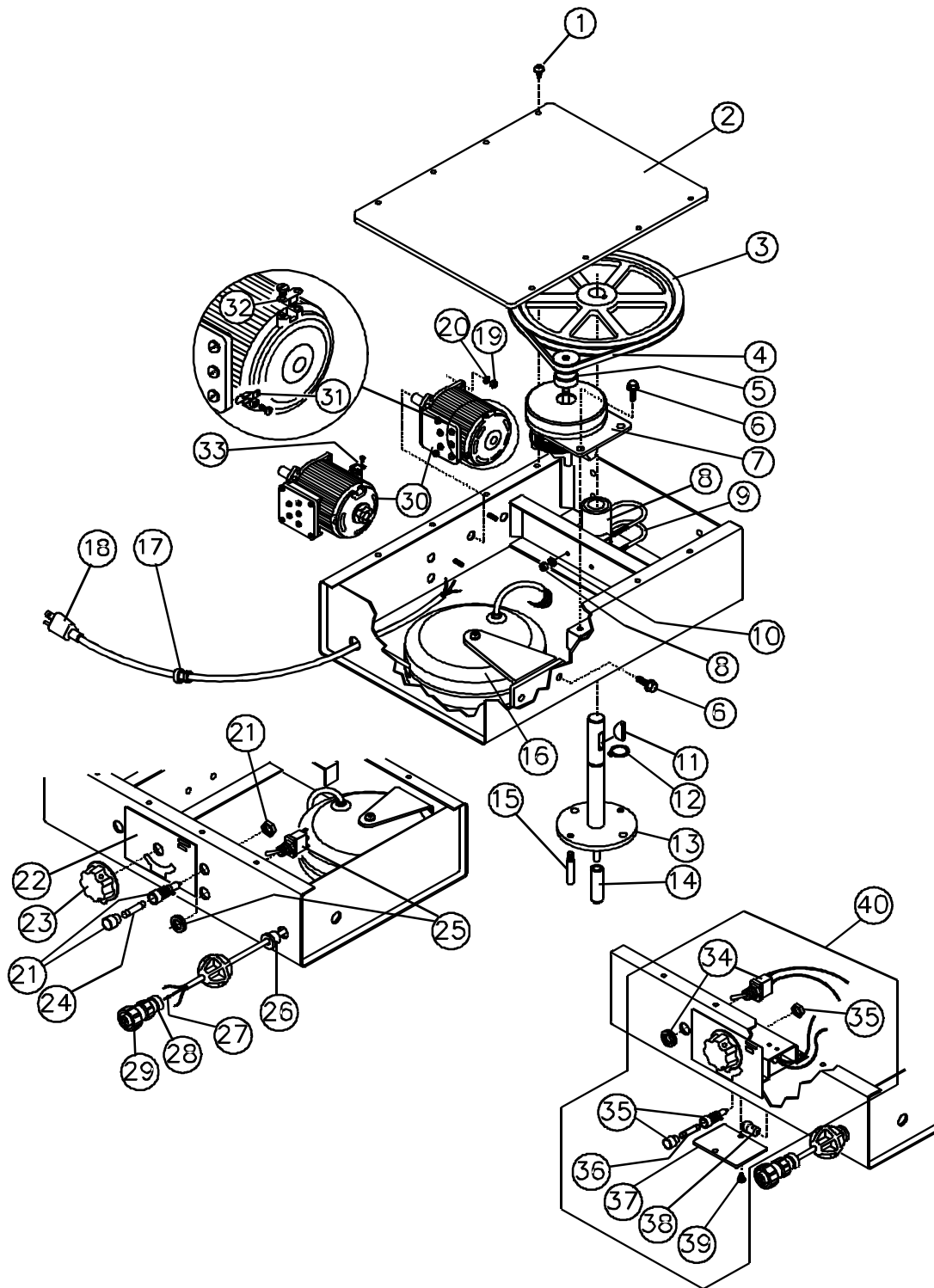
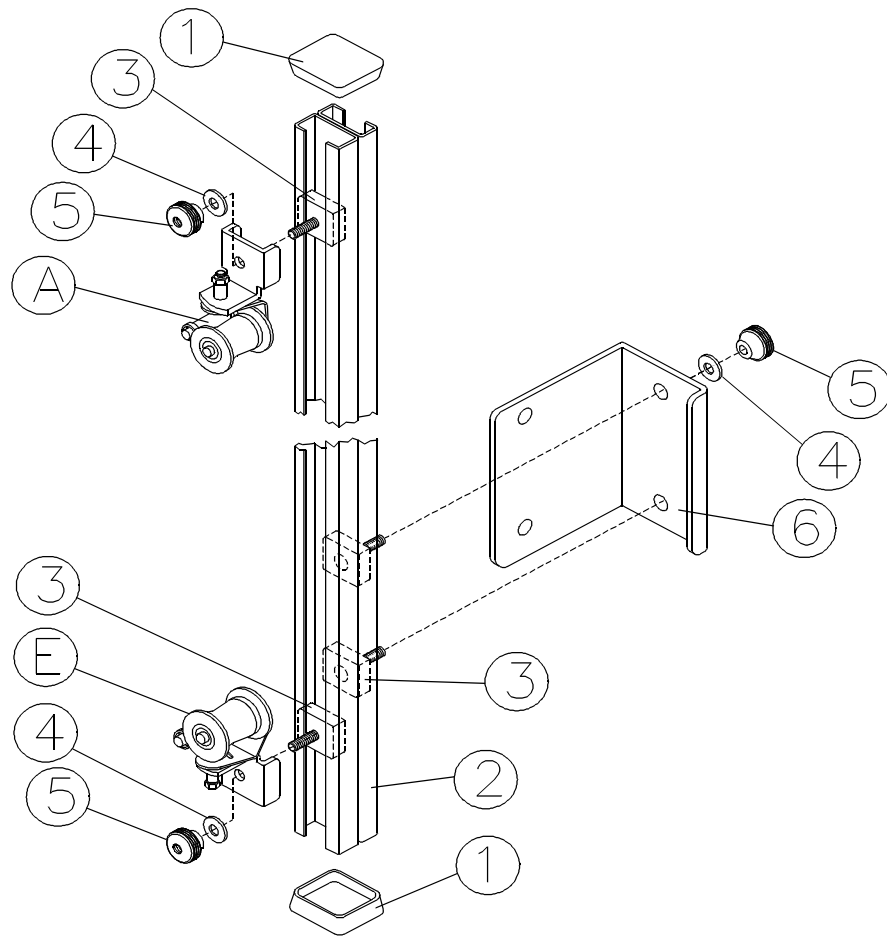


Table Bottom

Table Bottom

1)	1091	Screw PPH 10-24 x 3/8", Type F	22)	2666	Decal, Make-up Table Controls
2)	2328	Table Bottom Cover	23)	1289	Table Variac Knob
3)	1601	Table Sheave & Bushing	24)	2265	Fuse, 8 Amp 125v
4)	1260	Table Drive Belt	25)	2853	Toggle Switch, SPDT On-Off-On (Solder)
5)	1319	Table Drive Pulley	26)	1176	Bushing, Plastic 5/8"
6)	2367	HWHS 1/4-20 x 5/8"	27)	2063	Pin, Female
7)	1444	Table Motor & Mount Assy.	28)	2070	Clamp, Cable #11
8)	1452	Table Drive Hub Sub- Assy.	29)	2057	Plug, 4 Pin-(Std. Sex)
9)	1273	Table Drive Hub Clamp	30)	1006	Transformer 110v Replacement Kit.
10)	1080	Lockwasher, 5/16"-Split Ring	*31)	2103	Contact Assembly, Variac Staco 1010)
11)	1054	Key Woodriff, #9	*32)	1005	Brush, Variac (Staco 1010)
12)	1316	Snap Ring, Outside 3/4"	*33)	4445	Brush, Variac (Powerstat 116CU)
13)	1512	Table Drive Spindle Assy.	34)	1024	Toggle Switch, SPST On-Off
14)	1312	Table Spindle Pin Adapter	35)	1009	Fuse Holder
15)	1311	Table Reel Drive Pin	36)	2338	Fuse, 1.5 Amp 250v
16)	1293	Table Cable Reel	37)	2165	Table Light Lens
17)	2391	Strain Relief, 5/8 x .125 (.325/.36 dia.)	38)	2129	Bulb, 115v Bayonet Base
18)	1087	Hex Nut, 1/4-28	39)	2521	Screw, PPH #8 x 3/8" Type 25
19)	1029	Power Cord, 3 Wire	40)	1688	Table Light Housing Assy. (Includes items 34, 35, 36, 37, 38 & 39)
20)	1079	Lockwasher, 1/4"-Split Ring			
21)	1009	Fuse Holder			

* Refer to the transformer face plate for manufacturer's name and model number. Order replacement parts for the manufacturer specified. No replacement contact is required for Powerstat transformers. Transformers are interchangeable.



Transfer Arm Assy. 35mm, Adjustable
#1810

- A) 4290 Transfer Arm Swivel Assy.-Left
- E) 4291 Transfer Arm Swivel Assy.-Right
- 1) 2697 Transfer Arm End Cap, 1 1/4" Sq. Ext.
- 2) 2696 Transfer Arm Channel Weldment
- 3) 3958 Transfer Arm Clamp Plate Assy.
- 4) 1076 Flatwasher, 1.4"
- 5) 3937 Transfer Arm Knob
- 6) 3936 Transfer Arm Mount Bracket, 35mm