

Film-Tech

The information contained in this Adobe Acrobat pdf file is provided at your own risk and good judgment.

These manuals are designed to facilitate the exchange of information related to cinema projection and film handling, with no warranties nor obligations from the authors, for qualified field service engineers.

If you are not a qualified technician, please make no adjustments to anything you may read about in these Adobe manual downloads.

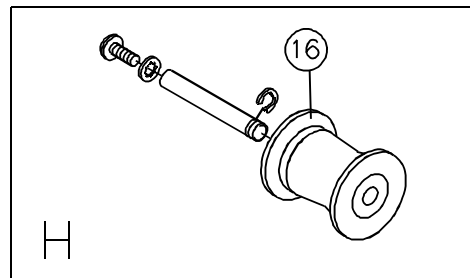
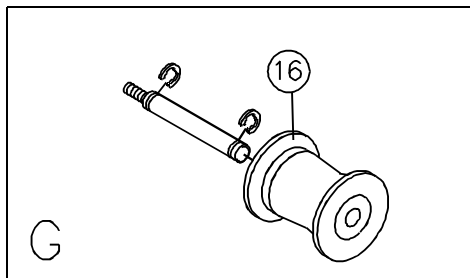
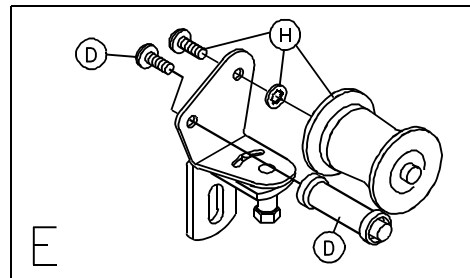
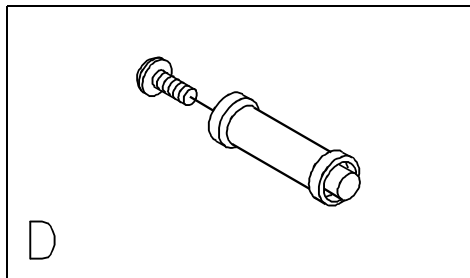
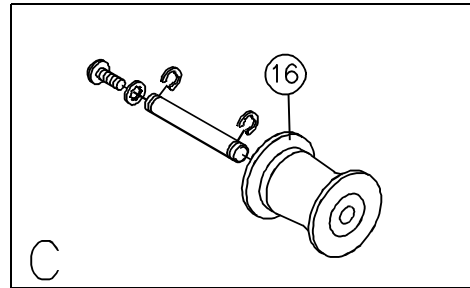
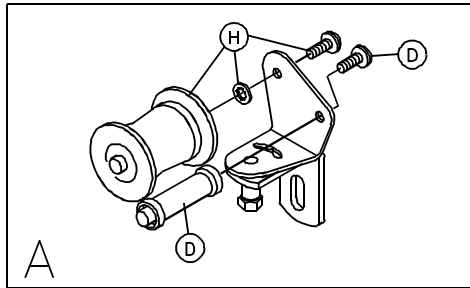
www.film-tech.com

AP/Loop Platter System Parts Manual

PRODUCT INFORMATION BULLETIN #3770

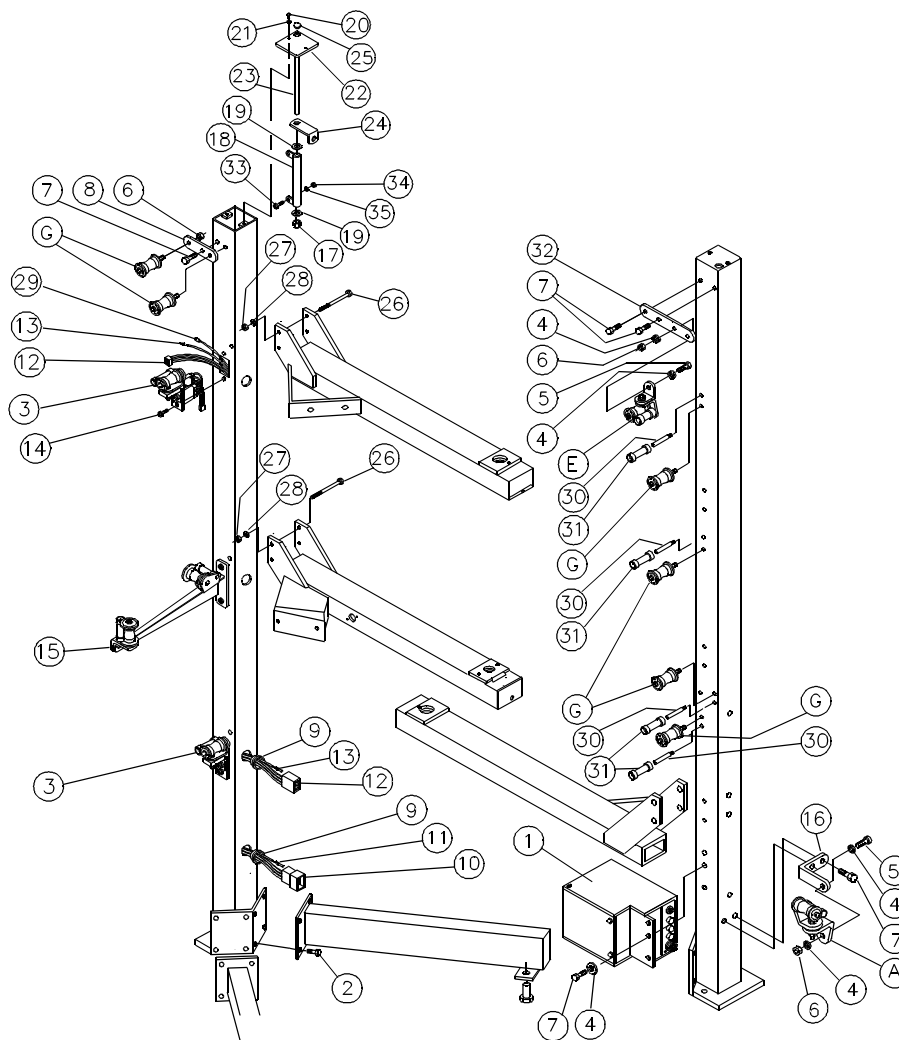
Record Platter System Identification Numbers Here:

Model # _____ Serial # _____



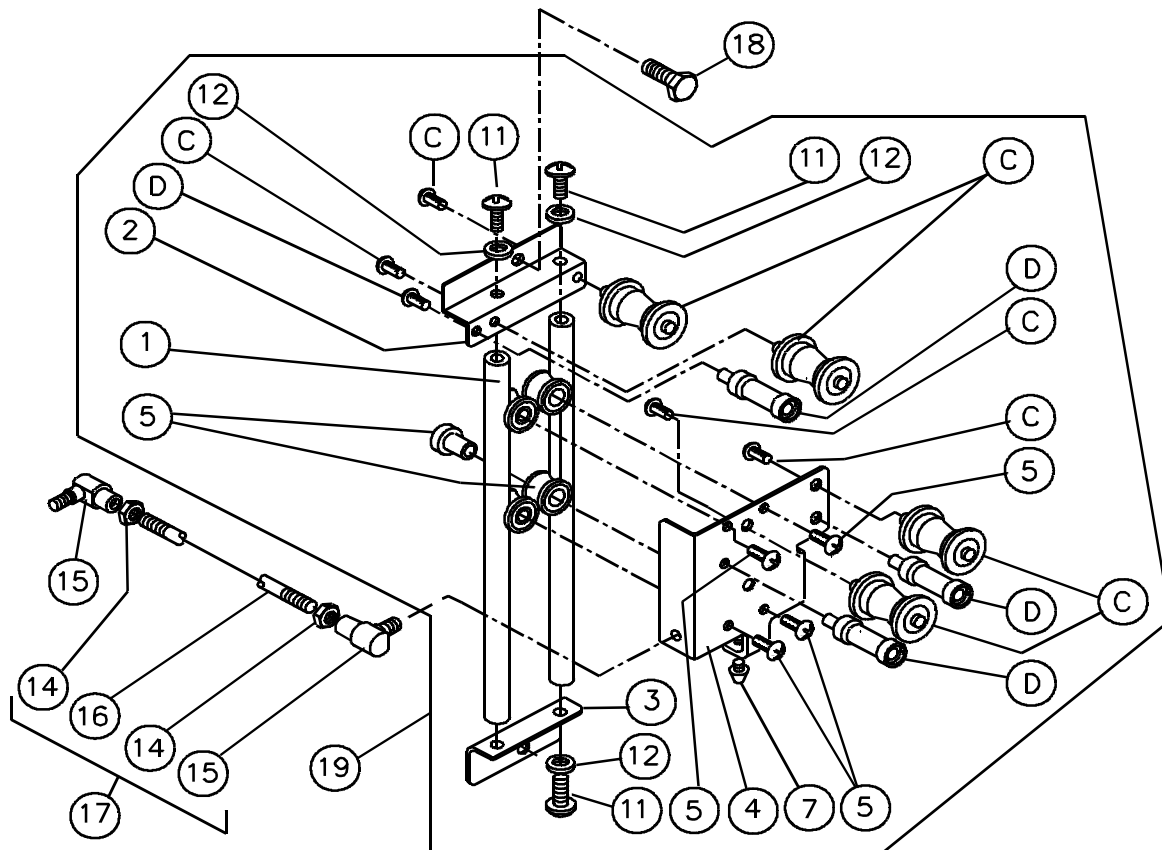
COMMON PULLEY ASSEMBLIES

- A) 2604 Castor Swivel Assy, Left 35mm
- C) 1447 Pulley Shaft #6 & Pulley Assy 35mm
- D) 2602 Keeper Shaft & Spool Assy
- E) 1505 Castor Swivel Assy, Right 35mm
- G) 1504 Column Shaft & Pulley Assy 35mm
- H) 1774 Pulley Shaft #5 & Pulley Assy 35mm
- 16) 2881 Pulley 35mm 5/16" ID



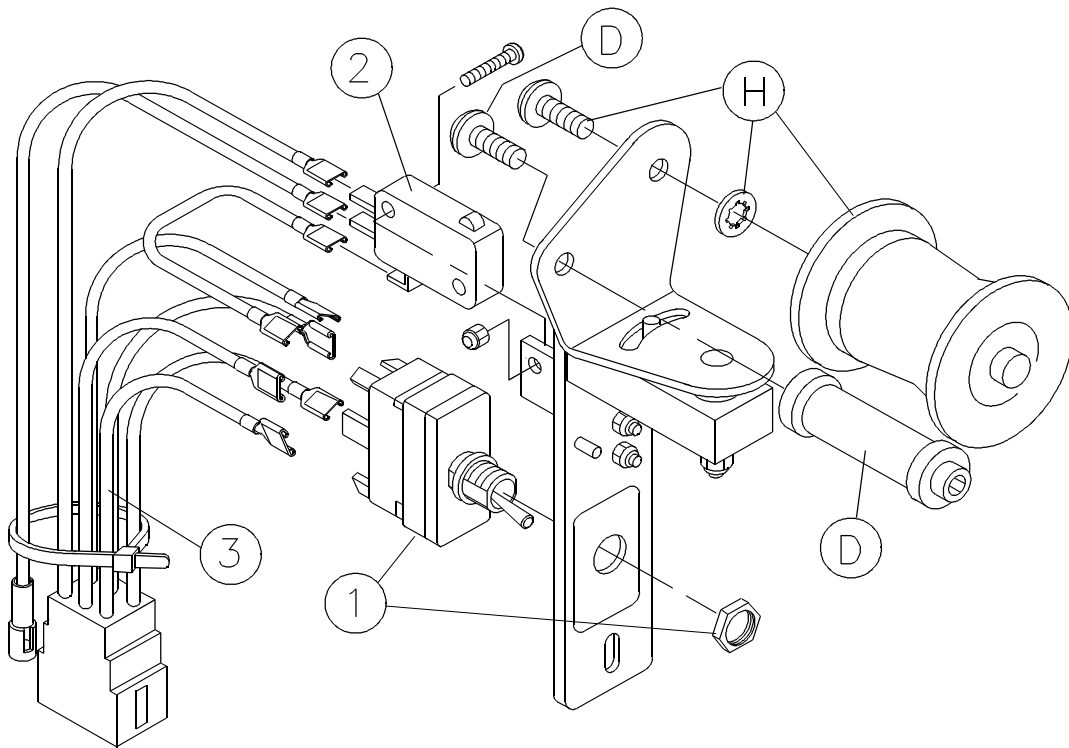
AP/Loop Column Parts

A) 2604	Castor Swivel Assy, Left 35mm	18) 1145	Resistor 2 Ohm 100 Watt
E) 1505	Castor Swivel Assy, Right 35mm	19) 1653	Resistor Locating Cap
G) 1504	Column Shaft & Pulley Assy 35mm	20) 1072	Screw PTH 10-32 x 1/2"
1) 2895	Variac Assy AP/Loop	21) 1075	Flatwasher, #10
2) 1063	SHCS 3/8-16 x 5/8"	22) 1381	Column End Cap AP
3) 1659	Feed Castor Assy AP	23) 1636	Column End Cap Rod
4) 1076	Flatwasher 1/4"	24) 3648	Column Resistor Shield
5) 1056	HHCS 1/4-28 x 3/4"	25) 1224	Hole Plug, 5/8"
6) 1088	Locknut, Nylon Insert 1/4-28	26) 1062	HHCS 5/16-18 x 5"
7) 1055	HHCS 1/4-28 x 1/2"	27) 1090	Nut Hex 5/16-18
8) 1168	Column Feed Pulley Bracket	28) 1080	Lockwasher 5/16" Split Ring
9) 1179	Bushing, Open/Closed 7/8"	29) 1836	Receptacle, 1 Circuit CPS
10) 1839	Plug, 6 Circuit CPS	30) 1173	Column Pulley Shaft
11) 1708	Pin, CPS	31) 1991	Spool, 35mm
12) 1840	Receptacle, 6 Circuit CPS	32) 3402	Column Payout Swivel Mnt. Bkt.
13) 1709	Socket, CPS	33) 1065	Screw PTH 6-32 x 1/4"
14) 1071	Screw PTH 10-32 x 3/8"	34) 1083	Hex Nut 6-32
15) 3562	Loop Rewind Arm Assy	35) 1138	Lockwasher #6 Internal Tooth
16) 1170	Column Bottom Castor Bracket 35mm		
17) 2395	Locknut Nylon Insert 1/4-20		



AP/LOOP TAKE-UP

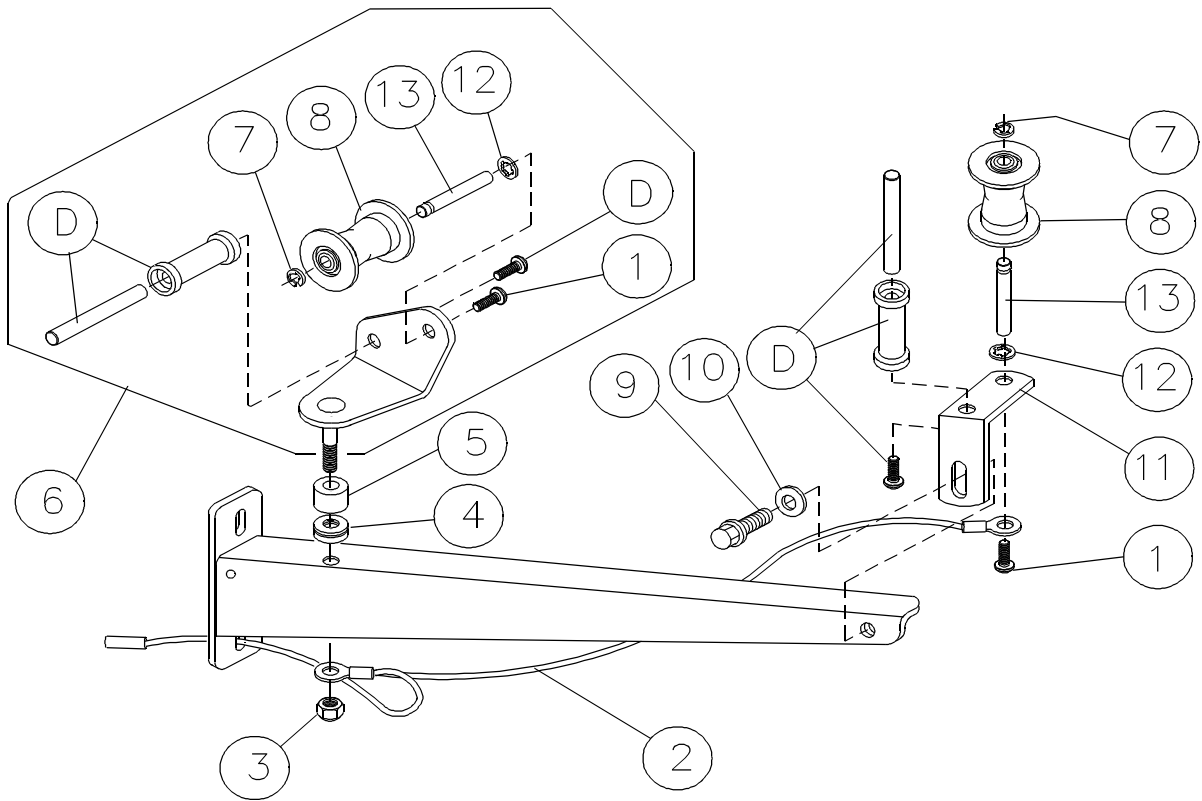
- C) 1447 Pulley Shaft #6 & Pulley Assy 35mm
- D) 2602 Keeper Shaft & Spool Assy
- 1) 1238 Take-up Rail
- 2) 1236 Take-Up Upper Bracket
- 3) 1237 Take-Up Lower Bracket
- 4) 2253 Take-Up Slide Plate & Bushing Assy, AP/Loop
- 5) 2629 Take-Up Slide Shaft & Roller Assy
- 7) 2067 Take-up Stop Bumper
- 11) 1071 Screw PTH 10-32 x 3/8"
- 12) 1078 Lockwasher #10, Internal Tooth
- 14) 1087 Nut Hex 1/4-28
- 15) 2660 Ball Swivel 1/4-28
- 16) 2247 Linkage Rod
- 17) 2272 Power Supply Linkage Rod Assy 12 3/4"
- 18) 1055 HHCS 1/4-28 x 1/2"
- 19) 1670 Take-Up Assy 35mm AP/Loop



AP LOOP FEED CASTOR ASSEMBLY

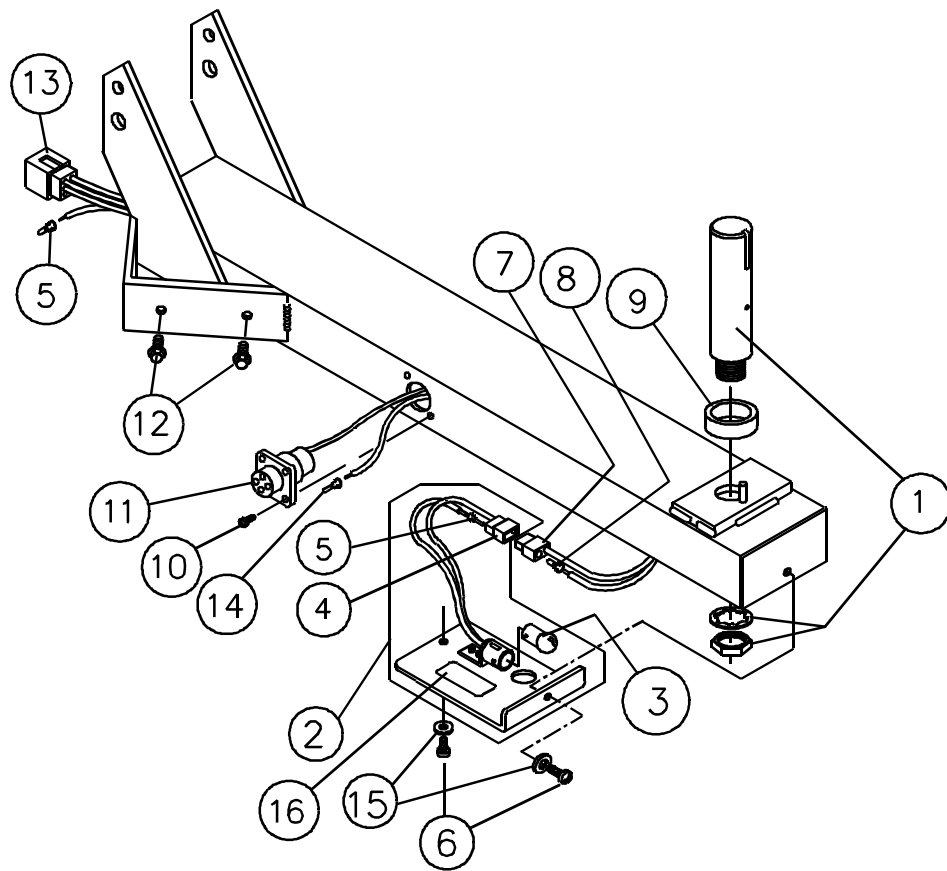
1659 Feed Castor Assy AP

- D) 2602 Keeper Shaft & Spool Assy
- H) 1774 Pulley Shaft #5 & Pulley Assy 35mm
- 1) 1053 Toggle Switch DPDT On-None-On (spade)
- 2) 1152 Feed Castor Switch
- 3) 1359 Feed Castor Wire Harness A.P.



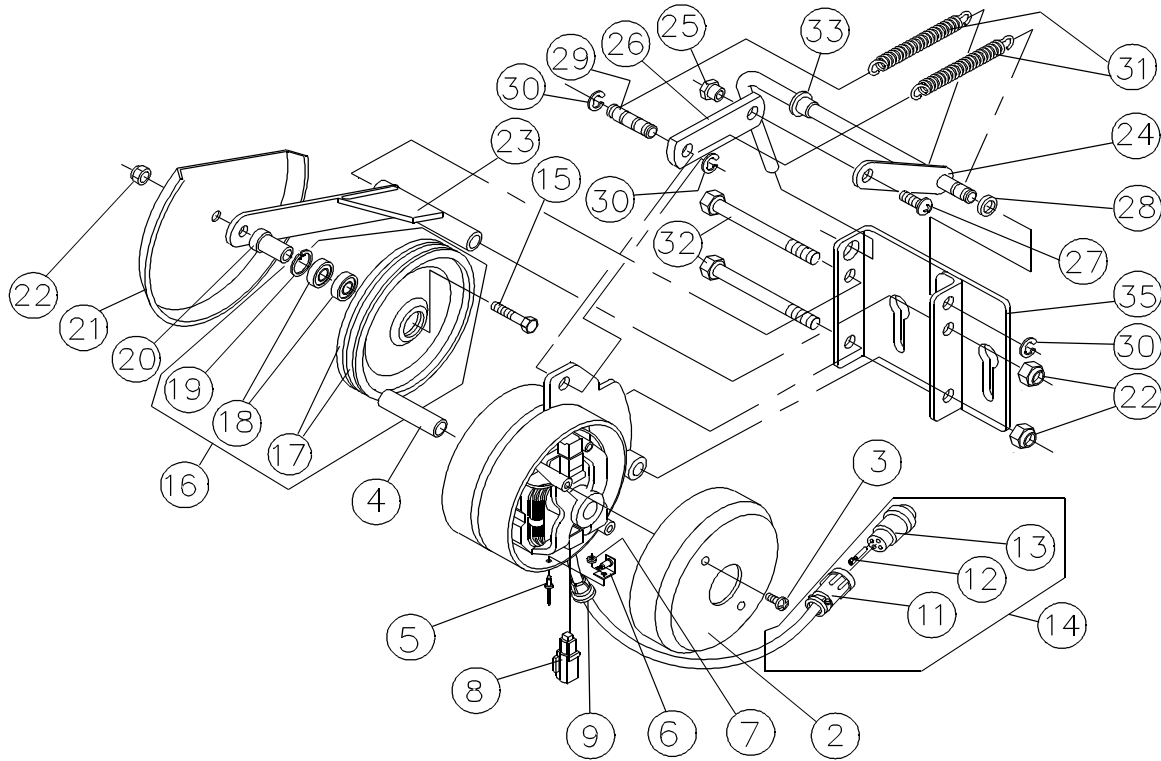
LOOP REWIND ARM ASSEMBLY

- | | |
|--|--|
| 1) 1071 Screw, PTH 10-32 x 3/8" | 7) 1050 E-Ring, 5/16" |
| 2) 3563 Loop Rewind Arm Harness | 8) 2886 Pulley Assy. 35mm Alum. 5/16" ID |
| 3) 2449 Locknut, Nylon Insert 10-32 | 9) 2367 HWHS 1/4-20 x 5/8" |
| 4) 3536 Washer Spherical 1/4" | 10) 1076 Flatwasher, 1/4" |
| 5) 3550 Loop Rewind Arm Spacer | 11) 3506 Loop Rewind Arm Pulley Bracket |
| 6) 2162 Castor Swivel Sub Assy.
W/Aluminum Pulley | 12) 1078 Lockwasher, #10- Internal Tooth |
| | 13) 1148 Pulley Shaft, #5 |



AP/LOOP UPPER & LOWER ARM

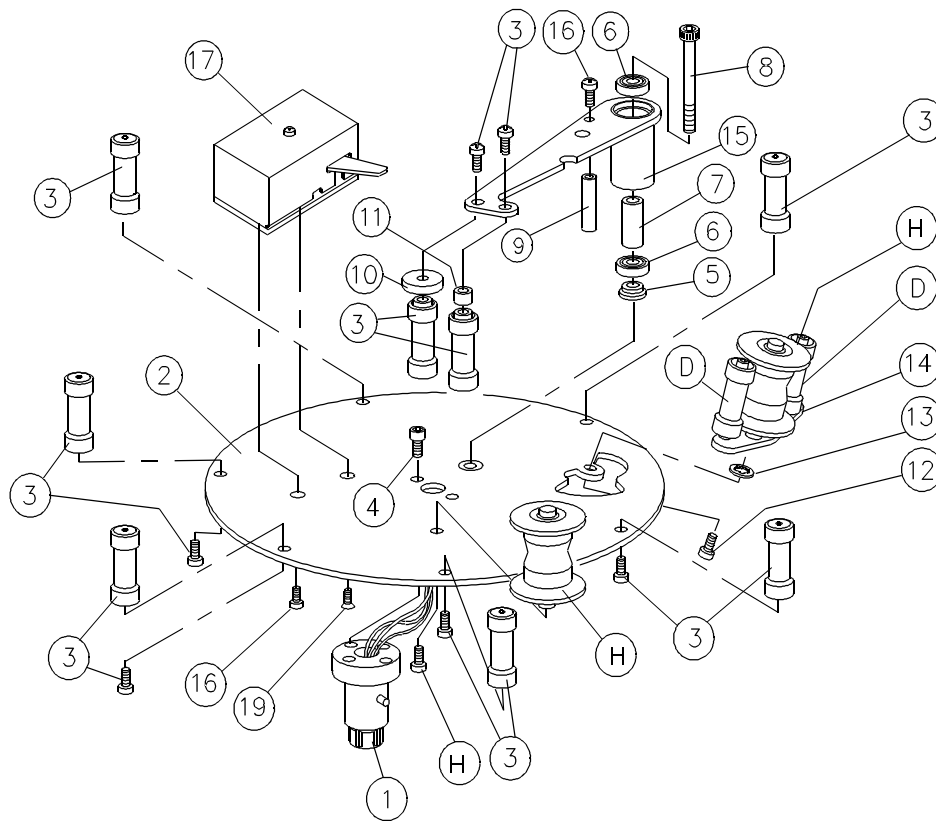
- | | |
|--------------------------------------|---------------------------------|
| 1) 2359 Arm Spindle Plug In Retrofit | 9) 1183 Arm Bearing Spacer |
| 2) 1653 Arm Light Cover Assembly AP | 10) 1065 Screw PTH 6-32 x 1/4" |
| 3) 2129 Bulb 115v Bayonette Base | 11) 2068 Receptacle 4 Pin |
| 4) 1837 Plug, 2 Circuit CPS | 12) 2367 HWHS 1/4-20 x 5/8" |
| 5) 1708 Pin, CPS | 13) 1839 Plug, 6 Circuit CPS |
| 6) 1071 Screw PTH 10-32 x 3/8" | 14) 2063 Socket, CPC |
| 7) 1838 Receptacle, 2 Circuit CPS | 15) 1075 Flatwasher #10 |
| 8) 1709 Socket, CPS | 16) 3787 Bulb Replacement Decal |



DRIVE MOTOR

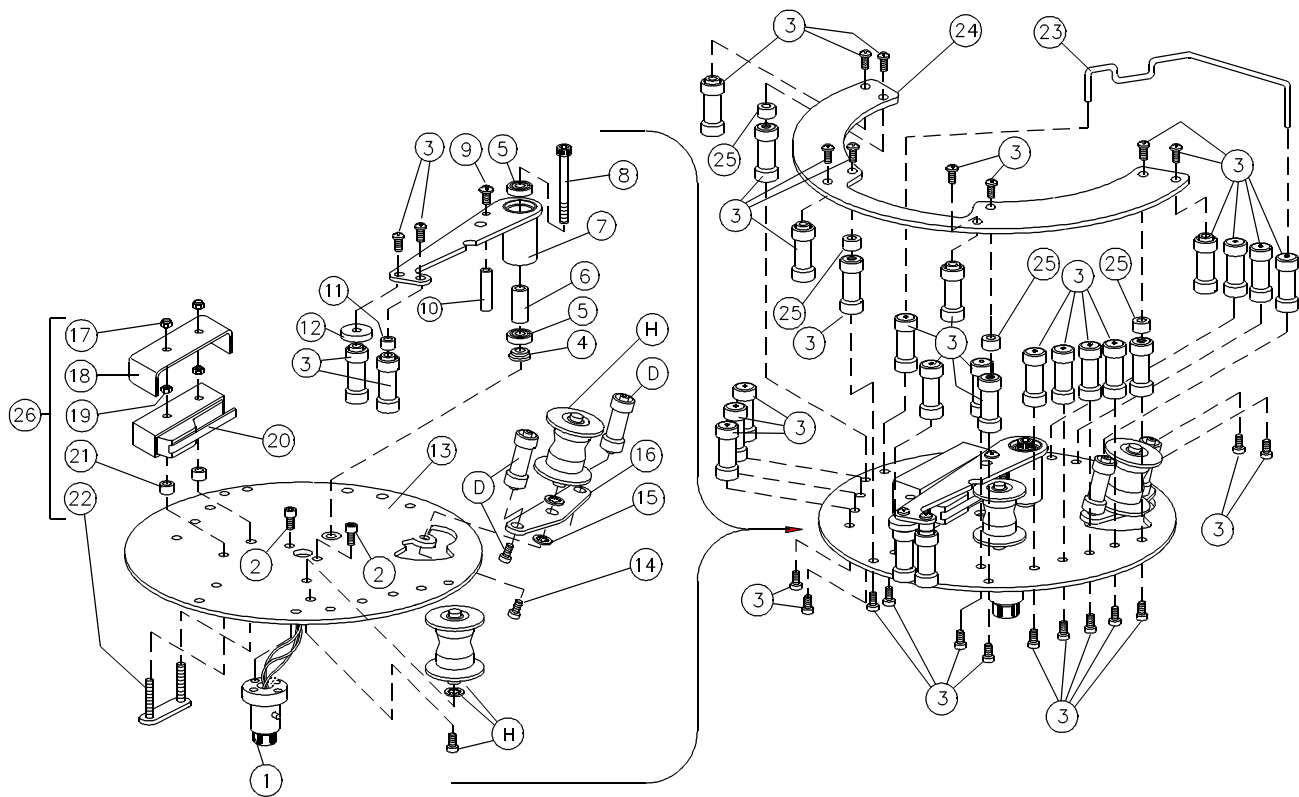
1740 Drive Motor Assy. Type 4 AP

- | | |
|---|--|
| 2) 1192 Drv Mtr End Cover | 20) 1633 Drive Motor Wheel Spacer Type 3 |
| 3) 1091 Screw PPH 10-24 x 3/8" Type F | 21) 1632 Drive Motor Wheel Shield Type 3 |
| 4) 1630 Drv Mtr Hub Type 3, 3/8" dia | 22) 1088 Locknut, Nylon Insert 1/4-28 |
| 5) 1052 Pop Rivet, 1/8 x 5/16" Steel | 23) 1620 Drive Motor Wheel Arm
Weldment Type 3 |
| 6) 1775 Drive Motor Diode & Bracket Assy. | 24) 1618 Drive Motor Toggle
HandleWeldment Type 3 |
| 7) 2026 Back-Up Plate Pop Rivet, 1/8" | 25) 1631 Drive Motor Linkage Connector
Type 3 |
| 8) 1004 Brush Motor 115 volt (1 pair) | 26) 1634 Drive Motor Connector Link Type 3 |
| 9) 2856 Strain Relief 5/8 x .062 | 27) 1071 Screw PTH 10-32 x 3/8" |
| 11) 2070 Clamp Cable #11 | 28) 2774 Nylon Washer, 1/2" OD x .320" ID" |
| 12) 2064 Pin, CPC, | 29) 1402 Drive Motor Spring Pin |
| 13) 2069 Plug 4 Pin | 30) 1050 E Ring 5/16" |
| 14) 1615 Drive Motor Plug Wire Harness AP | 31) 1818 Drive Motor Spring Type 3 |
| 15) 2370 HHCS 1/4-28 x 1 1/4" | 32) 3009 HHCS 1/4-28 x 3 3/4" |
| 16) 2140 Drive Motor Wheel Assy | 33) 1128 Bushing Plastic 1/2" |
| 17) 2362 Drive Motor Rubber Tire | |
| 18) 2066 Bearing Drive Wheel 7/8 OD x 3/8ID | |
| 19) 2224 Retaining Ring Internal 7/8" | |



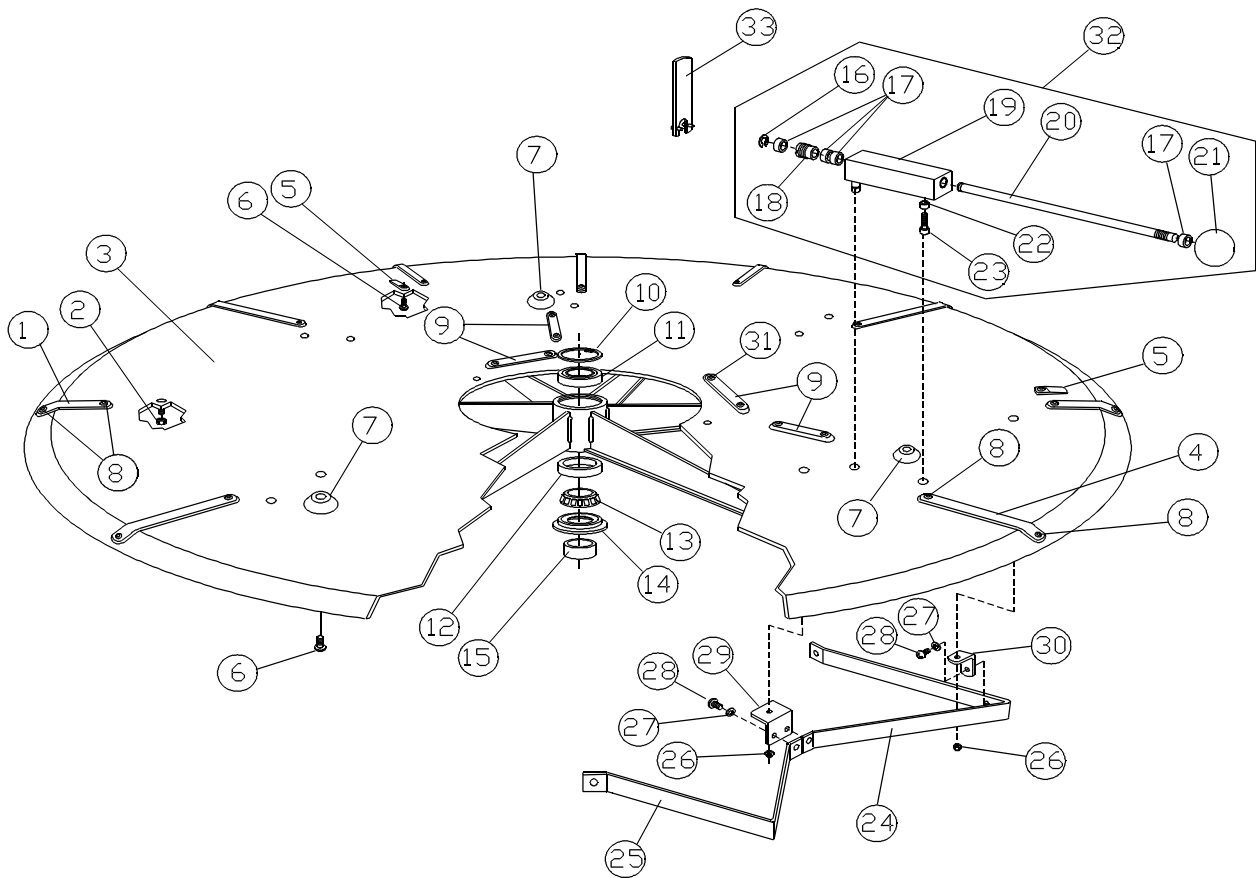
CONTROL PLATE, UPPER & LOWER ARM

- | | |
|--|---|
| H) 1774 Pulley Shaft #5 & Pulley Assy. 35 mm | 9) 1265 Shaft #9 |
| D) 2602 Keeper Shaft & Spool Assy. | |
| 1) 2357 Control Plate PI Adapter 35mm
(Includes item 4) | 10) 2006 Control Plate Arm Film Spacer |
| 2) 1593 Control Plate & Nut Sub-Assy, 35mm, | 11) 1153 Control Plate Arm Spool Spacer Float |
| 3) 1513 Control Plate Spool & Shaft Assy. | 12) 1592 SHCS, 10-32 x 1/2" |
| 4) 1064 SHCS, 8-32 x 3/8" | 13) 1078 Lockwasher #10-Internal Tooth |
| 5) 2380 Control Plate Sensor Arm Washer | 14) 1548 Control Plate Spool Keeper Bracket |
| 6) 2407 Bearing, 5/8 OD x 1/4" ID | 15) 1691 Control Plate Sensor Arm & Hub, |
| 7) 2379 Control Plate Sensor Arm Spacer | 16) 1069 Screw, PTH 8-32 x 3/8" |
| 8) 2408 SHCS, 1/4-28 x 2" | 17) 2430 Phase Control Assembly |
| | 19) 1070 Screw PFH 8-32 x 3/8" |



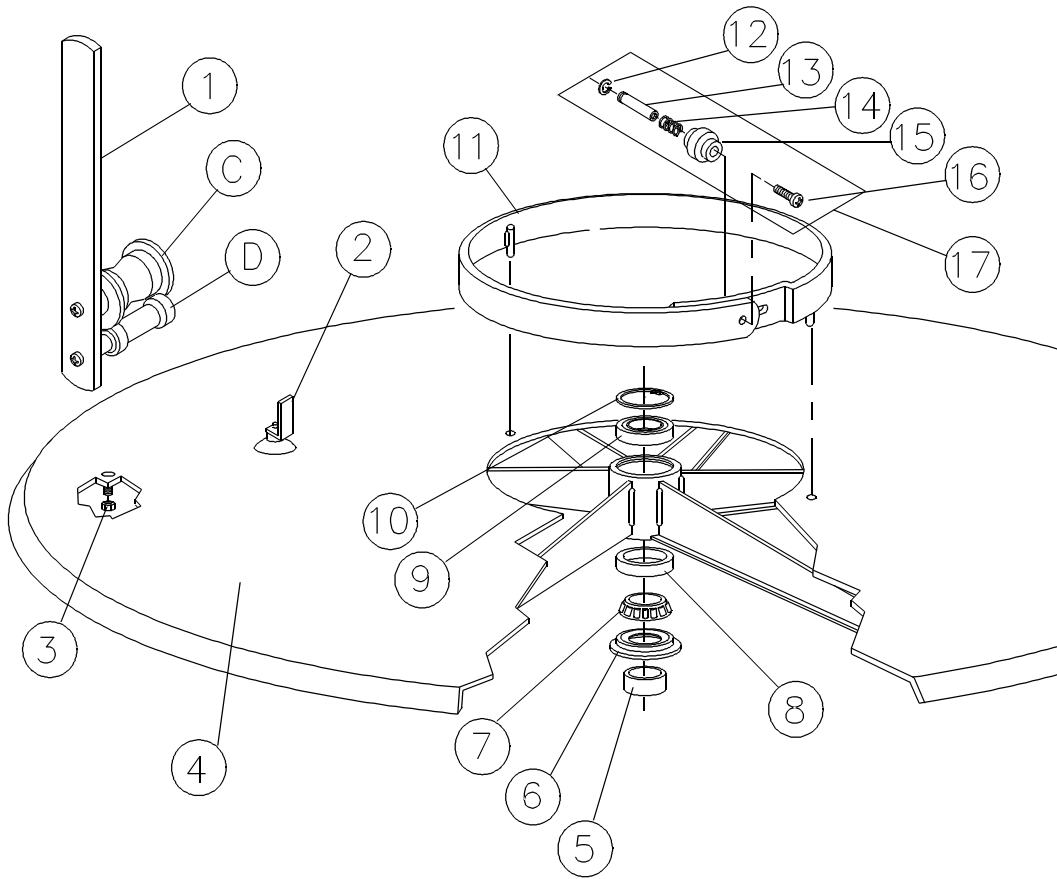
AP/LOOP CENTER ARM CONTROL PLATE

- | | |
|---|--|
| H) 1774 Pulley Shaft #5 & Pulley Assy. 35 mm | 13) 3769 Control Plate & Nut Sub Assy, Loop |
| D) 2602 Keeper Shaft & Spool Assy. | 14) 1592 SHCS 10-32 x 1/2" |
| 1) 2356 Control Plate PI Adapter, Loop | 15) 1078 Lockwasher #10-Internal Tooth |
| 2) 1064 SHCS 8-32 x 3/8" | 16) 1548 Control Plate Spool Keeper Bracket |
| 3) 1513 Control Plate Spool & Shaft Assy. | 17) 1084 Locknut, Nylon Insert 6-32 |
| 4) 2380 Control Plate Sensor Arm Washer | 18) 1595 Micro Switch Cover |
| 5) 2407 Bearing, 5/8 OD x 1/4" ID | 19) 1083 Hex Nut 6-32 |
| 6) 2379 Control Plate Sensor Arm Spacer | 20) 2536 Micro Switch-Flat Blade-HD |
| 7) 1691 Control Plate Sensor Arm & Hub | 21) 1240 Spacer 5/16" x 13/64" x 1/4" |
| 8) 2408 SHCS, 1/4-28 x 2" | 22) 1469 Switch Adjusting Plate Assy. |
| 9) 1069 Screw PTH 8-32 x 3/8" | 23) 2542 Control Plate Guard Wire, Loop |
| 10) 1265 Shaft #9 | 24) 2541 Control Plate Guard Plate, Loop |
| 11) 1153 Control Plate Arm Spool Spacer Float | 25) 2400 Spacer-3/8" Alum. Rnd. #10 x 1/8" |
| 12) 2006 Control Plate Arm Film Spacer | 26) 3610 Control Plate Micro Switch Mount
Hardware (does not include item 20) |



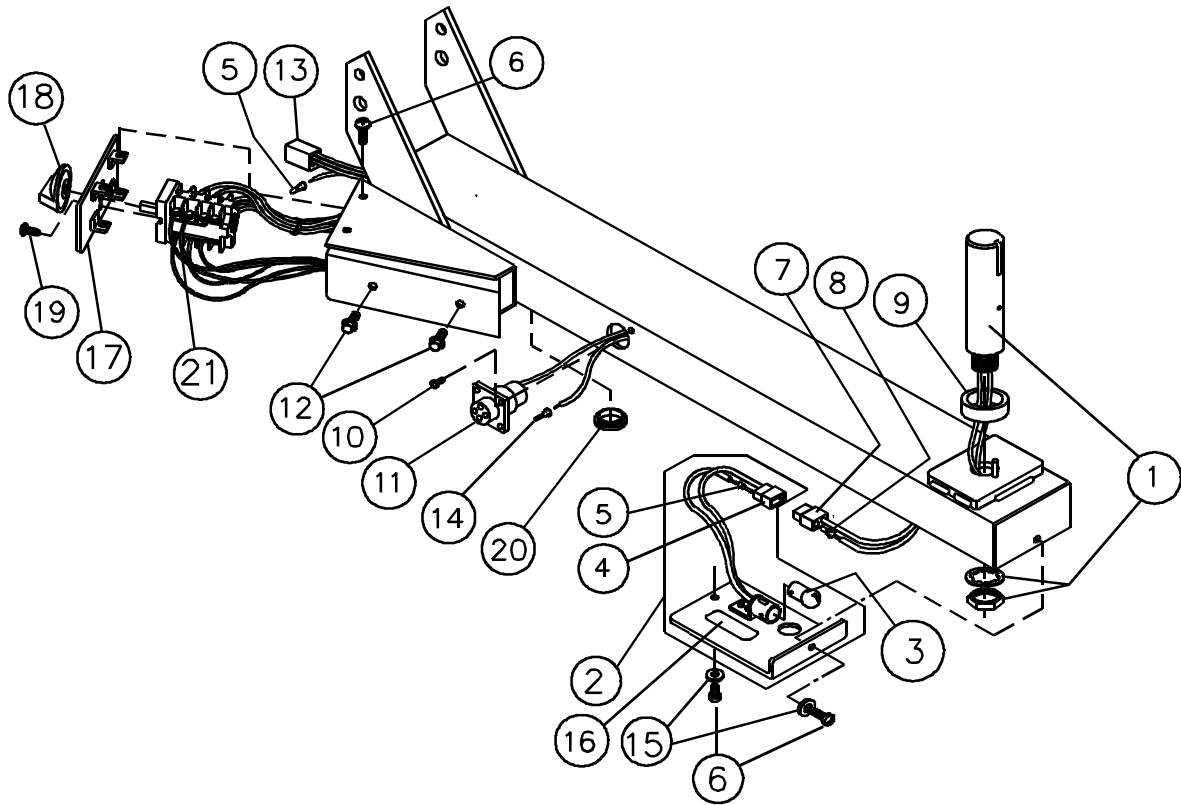
DISK ASSEMBLY, 58"

- | | |
|--|--|
| 1) 2095 Disk Friction Strip, Short | 17) 3522 Felt Washer, 1/2" OD
X 5/16" ID x 1/8" |
| 2) 1084 Locknut, Nylon Insert 6-32 | 18) 3519 Make-Up Guide Tensiln Adj. Screw |
| 3) 3419 Disk Assy.58" | 19) 3517 Make-Up Guide Block |
| 4) 2096 Disk Friction Strip, Long | 20) 3518 Make-Up Guide Tension Rod |
| 5) 1580 Disk Film Retainer | 21) 3521 Knob, Spherical, 1" Dia. |
| 6) 1065 Screw PTH 6-32 x 1/4" | 22) 1240 Spacer 5/16" x 13/64" x 1/4" |
| 7) 2388 Disk Film Stripper Ramp | 23) 1592 SHCS 10-32 x 1/2" |
| 8) 2193 Pop Rivet, Large Flange, Alum. | 24) 1804 Disk Cam, Long |
| 9) 2107 Disk Film Stop Rail | 25) 2038 Disk Cam, Short |
| 10) 1255 Disk Upper Bearing Retaining
Ring | 26) 1807 Locknut, Nylon Insert 8-32 |
| 11) 1254 Disk Upper Bearing | 27) 1078 Lockwasher #10-Internal Tooth |
| 12) 1257 Disk Lower Bearing Race Cup | 28) 1071 Screw PTH 10-32 x 3/8" |
| 13) 1256 Disk Lower Bearing | 29) 1805 Disk Rear Cam Bracket |
| 14) 1258 Disk Lower Bearing Grease
Retainer | 30) 1806 Disk Front Cam Bracket |
| 15) 1183 Arm Bearing Spacer | 31) 1052 Pop Rivet, 1/8" x 5/16" Steel |
| 16) 1050 E-Ring, 5/16" | 32) 3516 Make-Up Guide Assy. |
| | 33) 3568 Make-Up Guide Wrench Assy. |



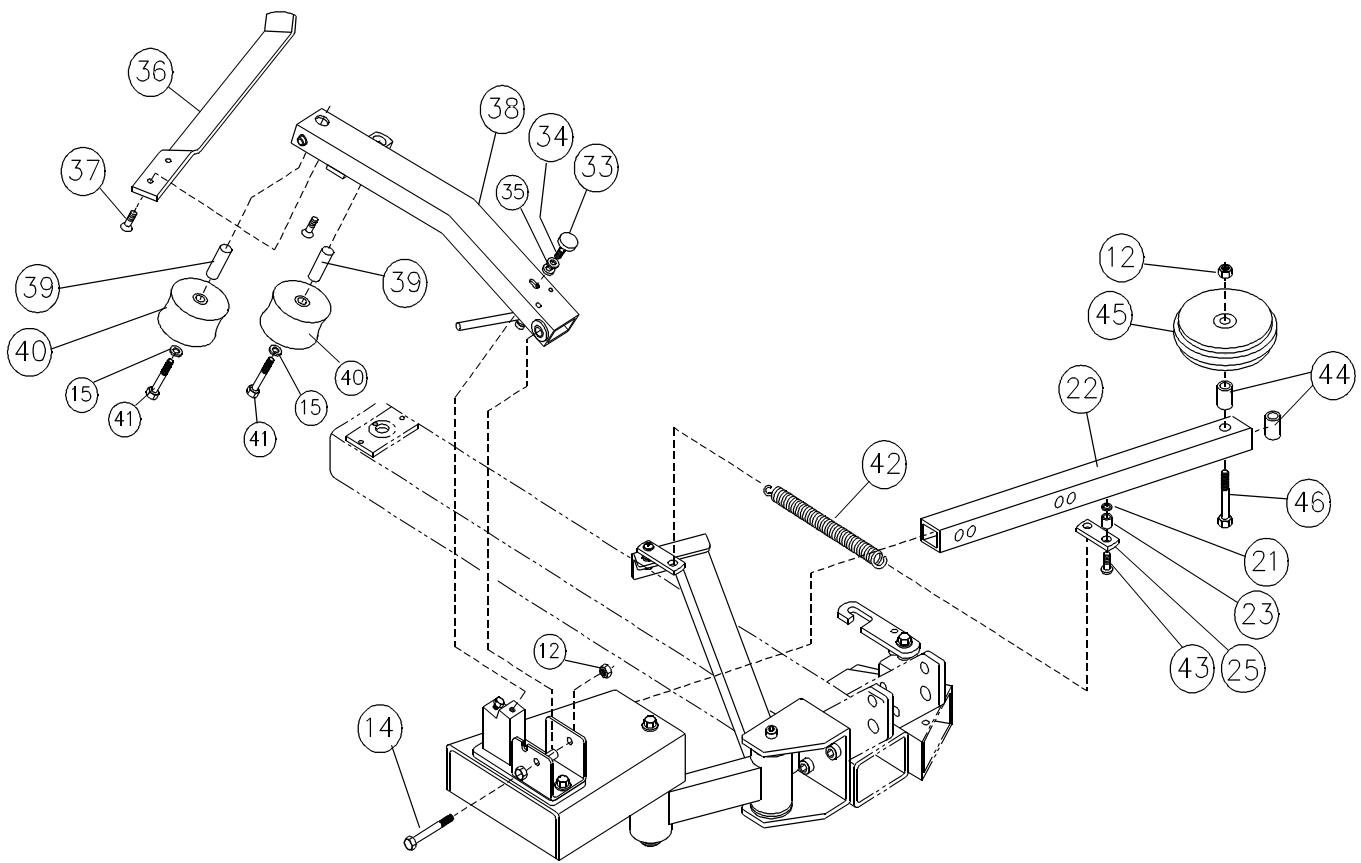
DISK, CENTER RING & PROJECTOR ARM

C) 1447	Pulley Shaft #6 & Pulley Assy 35mm	8) 1257	Disk Lower Bearing Race Cup
D) 2602	Keeper Shaft & Spool Assy	9) 1254	Disk Upper Bearing
1) 1515	Projector Arm Assy 35mm (Includes C & D)	10) 1255	Disk Upper Bearing Retaining Ring
2) 2225	Disk Suction Cup Assy	11) 1471	Center Ring Assy (Includes item 17)
3) 1084	Locknut, Nylon Insert 6-32	12) 1050	E Ring 5/16"
4) 1865	One Disk Crated 52" or	13) 1265	Shaft #9
1854	One Disk Crated 42"	14) 1266	Center Ring Knob Spring
5) 1183	Arm Bearing Spacer	15) 1264	Center Ring Knob
6) 1258	Disk Lower Bearing Grease Retainer	16) 1070	Screw PFH 8-32 x 3/8"
7) 1256	Disk Lower Bearing	17) 1827	Center Ring Knob Assy



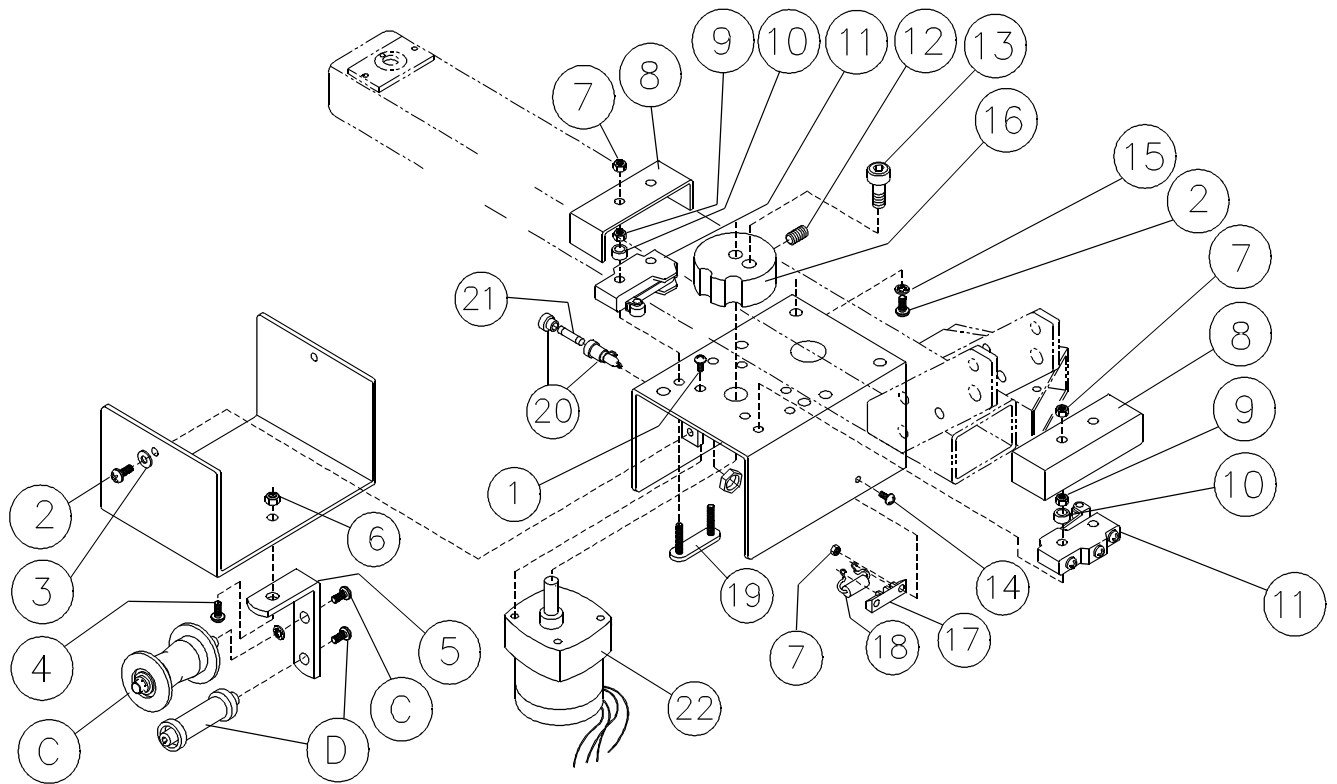
AP/LOOP CENTER ARM

- | | | | |
|-----|-----------------------------------|-----|-----------------------------|
| 1) | 2359 Arm Spindle Plug In Retrofit | 12) | 2367 HWHS 1/4-20 x 5/8" |
| 2) | 1653 Arm Light Cover Assembly AP | 13) | 1839 Plug, 6 Circuit CPS |
| 3) | 2129 Bulb 115v Bayonette Base | 14) | 2506 Socket, CPC |
| 4) | 1837 Plug, 2 Circuit CPS | 15) | 1075 Flatwasher #10 |
| 5) | 1833 Pin, CPS | 16) | 3787 Bulb Replacement Decal |
| 6) | 1071 Screw PTH 10-32 x 3/8" | 17) | 1728 Arm Switch Mount Plate |
| 7) | 1838 Receptacle, 2 Circuit CPS | 18) | 2631 Knob, Selector Switch |
| 8) | 1834 Socket, CPS | 19) | 2521 Screw PPH #8 x 3/8" |
| 9) | 1183 Arm Bearing Spacer | 20) | 1176 Bushing, Plastic 5/8" |
| 10) | 1065 Screw PTH 6-32 x 1/4" | 21) | 1998 Arm Wire Harness, AP |
| 11) | 2068 Receptacle 4 Pin | | |



PUSH ARM AND PIVOT ASSEMBLY, PART TWO

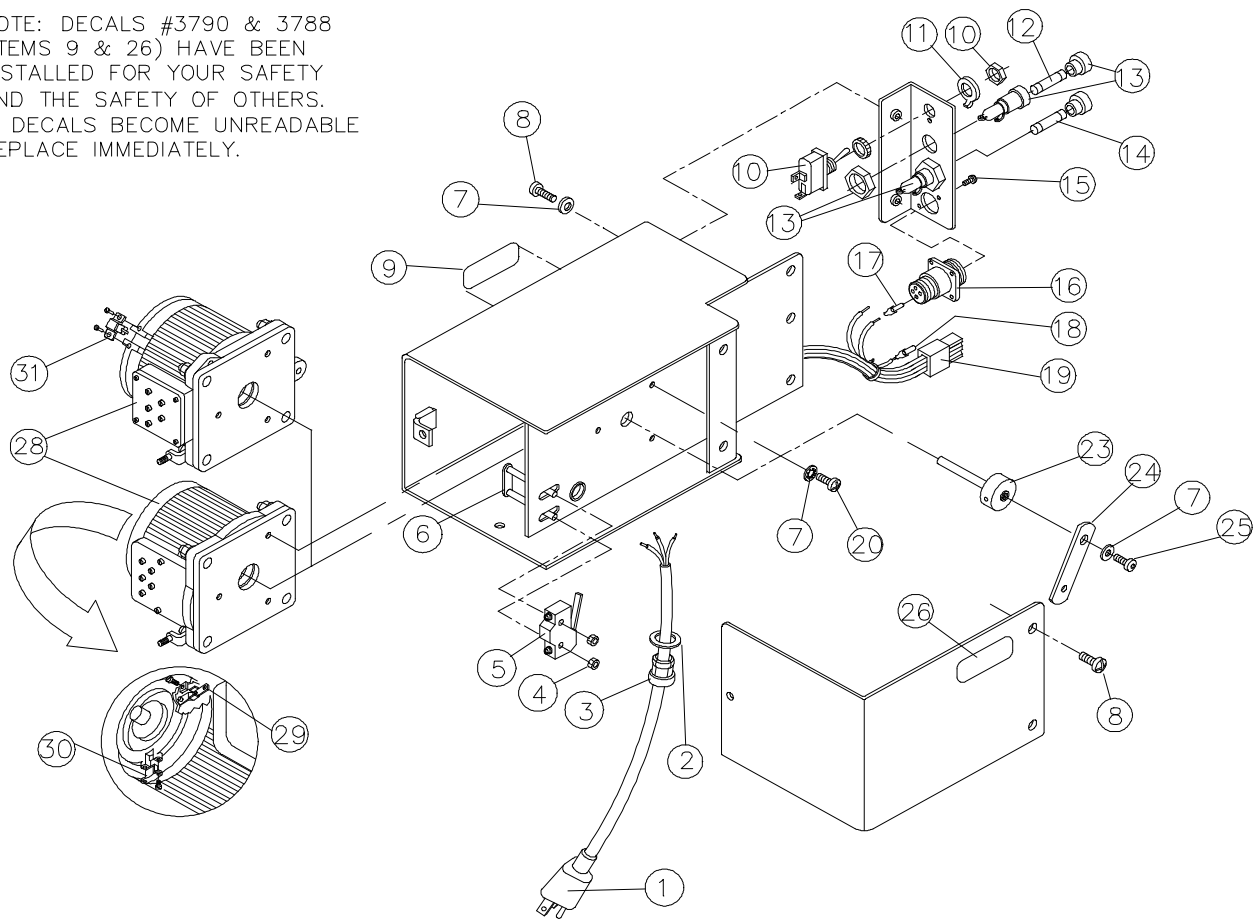
- | | | | | | |
|-----|------|--------------------------------|-----|------|--------------------------------|
| 12) | 1088 | Locknut, Nylon Insert 1/4-28 | 37) | 2199 | Screw SFH 10-24 x 3/8" |
| 14) | 1058 | HHCS 1/4-28x 2" | 38) | 3570 | Tilt Section Sub-Assy. |
| 15) | 1079 | Lockwasher 1/4" Split Ring | 39) | 1888 | Push Arm Roller Holder Tilt |
| 17) | 2060 | Push Arm Bushing Spacer. 1.65" | 40) | 2938 | Push Arm Film Roller Assy. |
| 21) | 1078 | Lockwasher #10 Internal Tooth | 41) | 2368 | HHCS 1/4-20 x 1 1/4" |
| 22) | 1965 | Push Arm Rigid Section | 42) | 1300 | Spring Extension 7/16 x 4" |
| 23) | 1240 | Spacer 5/16" x 13/64" x 1/4" | 43) | 1073 | Screw PTH 10-32 x 3/4" |
| 25) | 2932 | Push Arm Spring Link | 44) | 1966 | Push Arm Rigid Section Spacer |
| 33) | 2119 | Shear Lock Knob 1" x 5/16" | 45) | 2937 | Drive Roller & Flat Belt Assy. |
| 34) | 2658 | Push Arm Lock Down Screw | 46) | 1095 | HHCS 1/4-28 x 2 1/2" |
| 35) | 2186 | Washer Spherical 5/16" | | | |
| 36) | 2757 | Push Arm Spanker Bar | | | |



AP/LOOP PIVOT MOTOR ASSEMBLY

- | | |
|--|---|
| C) 1447 Pulley Shaft #6 & Pulley Assy 35mm | 11) 2413 Micro Switch-Short Roller Arm-H D |
| D) 2602 Keeper Shaft & Spool Assy. | 12) 2371 SSS 1/4-28 x 1/2" |
| 1) 1069 Screw PTH 8-32 X 3/8" | 13) 2073 Pivot Motor Cam Follower |
| 2) 1071 Screw PTH 10-32 x 3/8" | 14) 2182 Screw PRH 6-32 x 1/2" |
| 3) 1075 Flatwasher #10 | 15) 1078 Lockwasher #10 |
| 4) 1072 Screw PTH 10-32 | 16) 1961 Pivot Motor Cam |
| 5) 2877 Cam Box Pulley Bracket | 17) 2661 Terminal Block-2 Terminal |
| 6) 2449 Locknut, Nylon Insert 10-32 | 18) 3754 Capacitor 50Hz or
3755 Capacitor 60Hz |
| 7) 1084 Locknut, Nylon Insert 6-32 | 19) 1469 Switch Adjusting Plate Assy. |
| 8) 1595 Micro Switch Cover | 20) 1009 Fuse Holder |
| 9) 1083 Nut Hex 6-32 Rnd. #10 x 1/8" | 21) 2338 Fuse 1.5 Amp 250v |
| 10) 2400 Spacer | 22) 1978 Pivot Motor & Wire Harness |

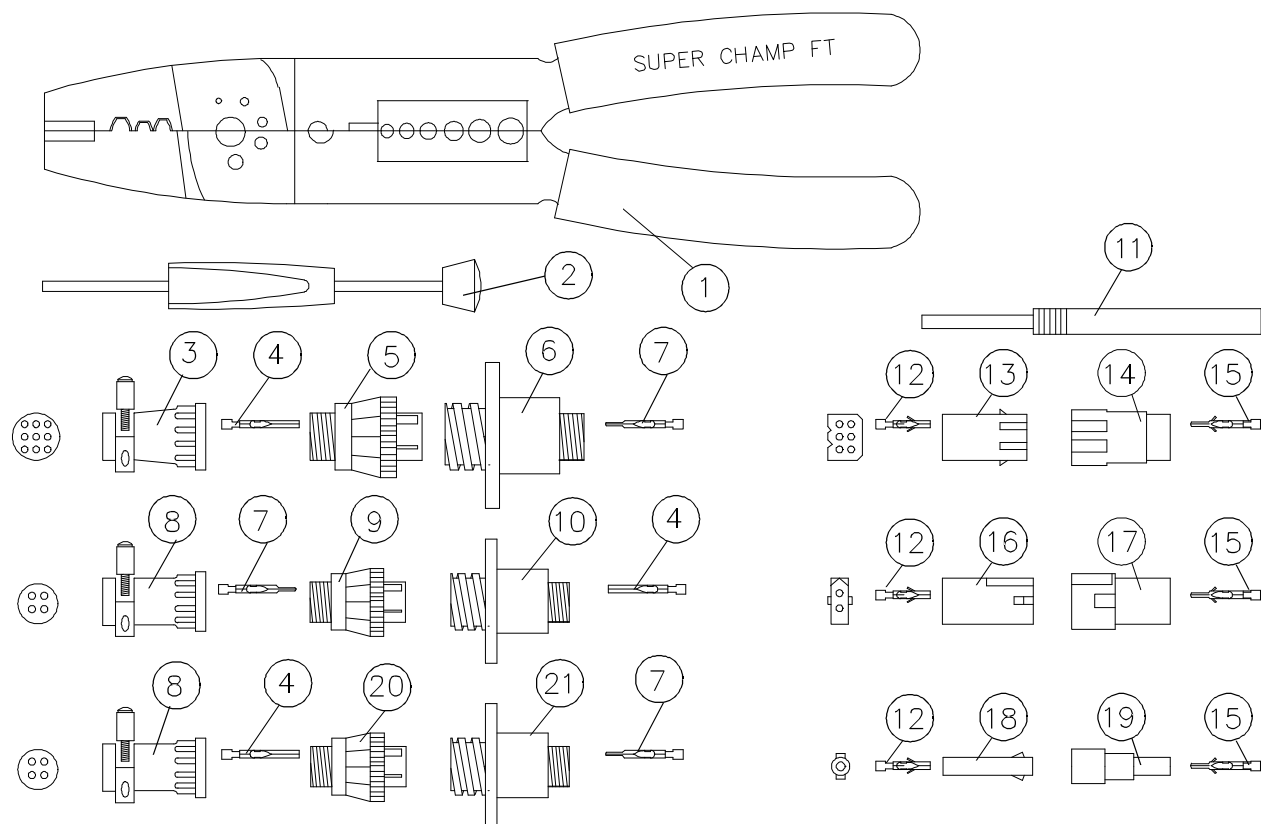
NOTE: DECALS #3790 & 3788
(ITEMS 9 & 26) HAVE BEEN
INSTALLED FOR YOUR SAFETY
AND THE SAFETY OF OTHERS.
IF DECALS BECOME UNREADABLE
REPLACE IMMEDIATELY.



AP/Loop Power Supply
2895 Variac Assembly, AP/Loop

- | | | | |
|----------|------------------------------|-----------|--|
| 1) 1029 | Power Cord 3 Wire | 16) 2056 | Receptacle 4 Pin (std sex) |
| 2) 1763 | Back-Up Washer-Strain Relief | 17) 2064 | Pin, CPC |
| 3) 2391 | Strain Relief 5/8 x .125 | 18) 1709 | Socket, CPS |
| 4) 1083 | Hex Nut 6-32 | 19) 1840 | Receptacle, 6 Circuit CPS |
| 5) 2536 | Micro Switch, Flat Blade- HD | 20) 1091 | Screw PPH 10-24 x 3/8" Type F |
| 6) 1469 | Switch Adjusting Plate Assy | 23) 1643 | VarIiac Shaft & Hub Sub-assembly
Type 2 |
| 7) 1075 | Flatwasher #10 | 24) 1640 | Variac Link Type 2 |
| 8) 1071 | Screw PTH 10-32 x 3/8" | 25) 1233 | Button Head Socket Cap Screw
10-32 x 3/8" |
| 9) 3788 | Caution Decal, Fuse | 26) 3790 | Caution Decal, Cord Disconnect |
| 10) 1024 | Toggle Switch SPST On-Off-On | 28) 1006 | Transformer 110v Replacement Kit |
| 11) 1081 | Washer Switch Keyed | *29) 2103 | Contact Assembly Variac (Staco 1010) |
| 12) 2265 | Fuse 8 Amp 125v | *30) 1005 | Brush, Variac (Staco 1010) |
| 13) 1009 | Fuse Holder | *31) 4445 | Brush, Variac (Powerstat 116CU) |
| 14) 2338 | Fuse 1½ Amp 250v | | |
| 15) 2521 | Screw PPH #8 x 3/8" Type 25 | | |

* Refer to the transformer face plate for manufacturer's name and model number. Order replacement parts for the manufacturer specified. No replacement contact is required for Powerstat transformers. Transformers are interchangeable.



- | | |
|---------------------------------|---------------------------------------|
| 1) 2674 Pin Crimping Tool | 11) 2669 Pin Extraction Tool CPS |
| 2) 2673 Pin Extraction Tool CPC | 12) 1709 Socket, CPS |
| 3) 2071 Clamp Cable #13 | 13) 1840 Receptacle, 6 Circuit CPS |
| 4) 2063 Socket CPC | 14) 1839 Plug, 6 Circuit CPS |
| 5) 2078 Plug 9 Pin | 15) 1708 Pin, CPS |
| 6) 2077 Receptacle 9 Pin | 16) 1838 Receptacle, 2 circuit CPS |
| 7) 2064 Pin CPC | 17) 1837 Plug, 2 Circuit CPS |
| 8) 2070 Clamp Cable #11 | 18) 1836 Receptacle, 1 Circuit CPS |
| 9) 2069 Plug 4 Pin | 19) 1835 Plug, 1 Circuit CPS |
| 10) 2068 Receptacle 4 Pin | 20) 2057 Plug, 4 Pin - (std sex) |
| | 21) 2056 Receptacle 4 Pin - (std sex) |