

Film-Tech

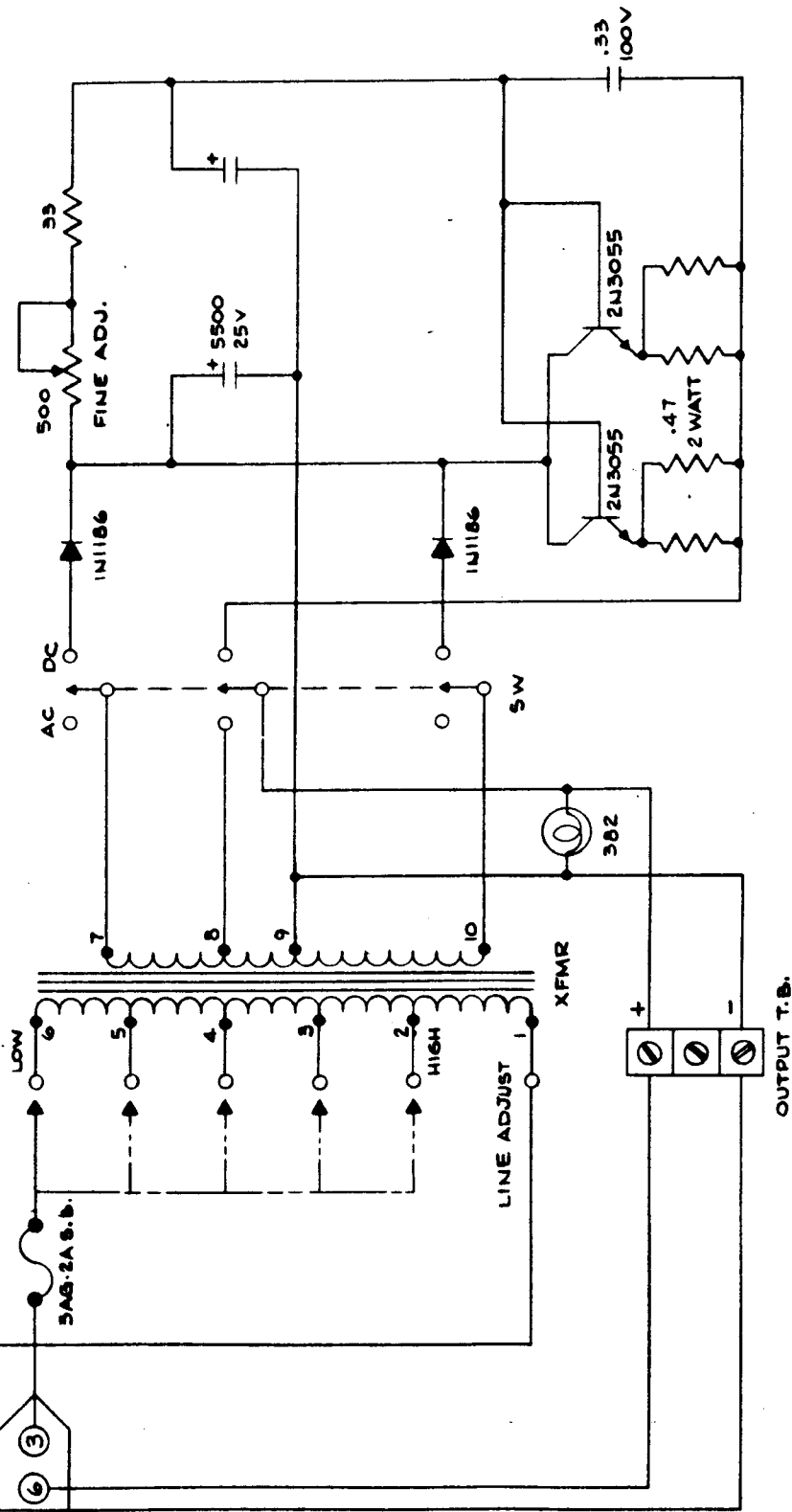
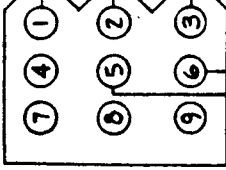
The information contained in this Adobe Acrobat pdf file is provided at your own risk and good judgment.

These manuals are designed to facilitate the exchange of information related to cinema projection and film handling, with no warranties nor obligations from the authors, for qualified field service engineers.

If you are not a qualified technician, please make no adjustments to anything you may read about in these Adobe manual downloads.

www.film-tech.com

CONNECTOR



Revision

7402-B EXCITER SUPPLY SCHEMATIC

Kelmar Systems Inc.

240 Broadway □ Huntington Station □ New York 11760 □ 516-404-1311

Date: 2-5-80

Scale: NONE

Drawn by: P.M.C.

Job No:

File No:

Dwg. No: 385