

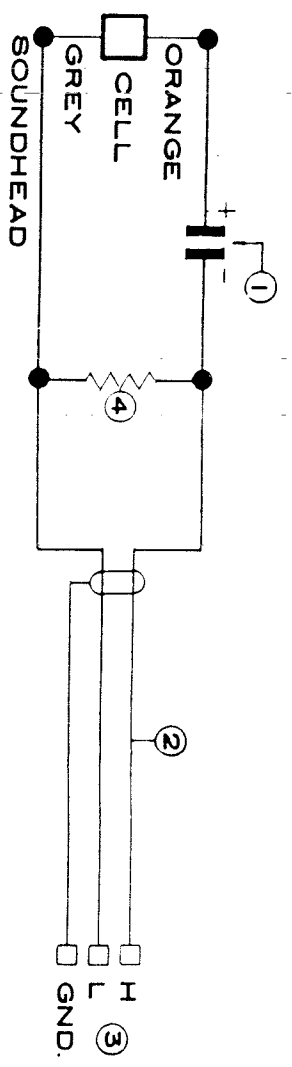
# Film-Tech

The information contained in this Adobe Acrobat pdf file is provided at your own risk and good judgment.

These manuals are designed to facilitate the exchange of information related to cinema projection and film handling, with no warranties nor obligations from the authors, for qualified field service engineers.

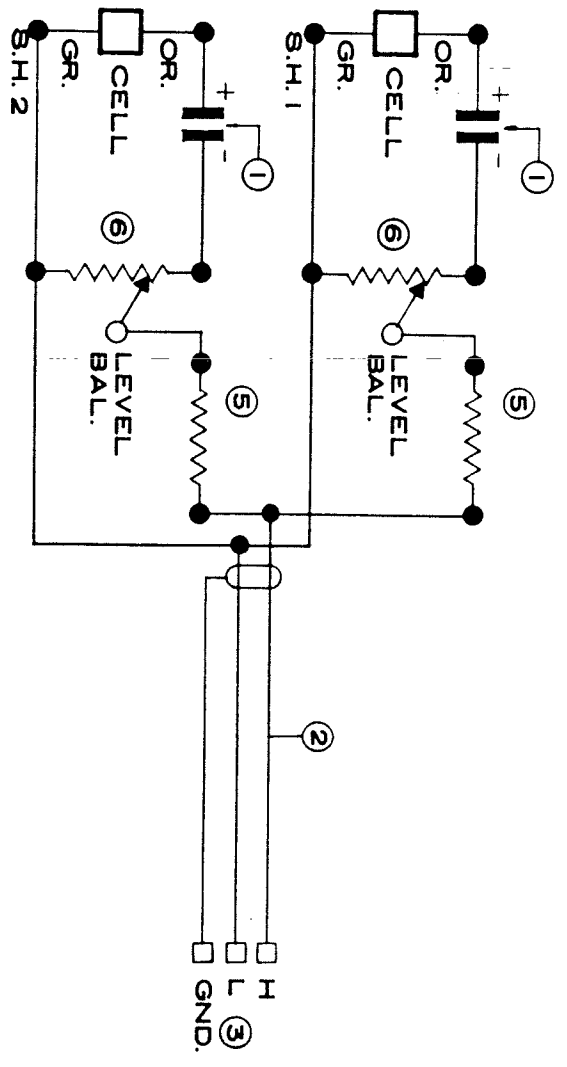
If you are not a qualified technician, please make no adjustments to anything you may read about in these Adobe manual downloads

[www.film-tech.com](http://www.film-tech.com)



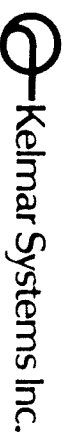
**BASIC INSTALLATION**

- 1 100 MFD 6V. CAPACITOR IF DECOUPLING IS DESIRED
- 2 SHIELDED CABLE BELDEN NO. 8761 OR EQ.
- 3 AUDIO SYSTEM INPUT
- 4 560 OHM .5 WATT
- 5 1500 OHM .5 WATT
- 6 500 OHM POT



**INSTALLATION FOR 2 PROJECTORS  
W/ EXCITER LAMP C.O.**

**TRANSDUCER INST.  
DIAGRAMS**



169 East Second Street, Huntington Station, New York 11746 • 516-692-6131

Date:	SEPT. 70	Scale:	NONE	Drawn by:	G. EVANS
Job No:		File No:	7069-F	Dwg. No:	ID