

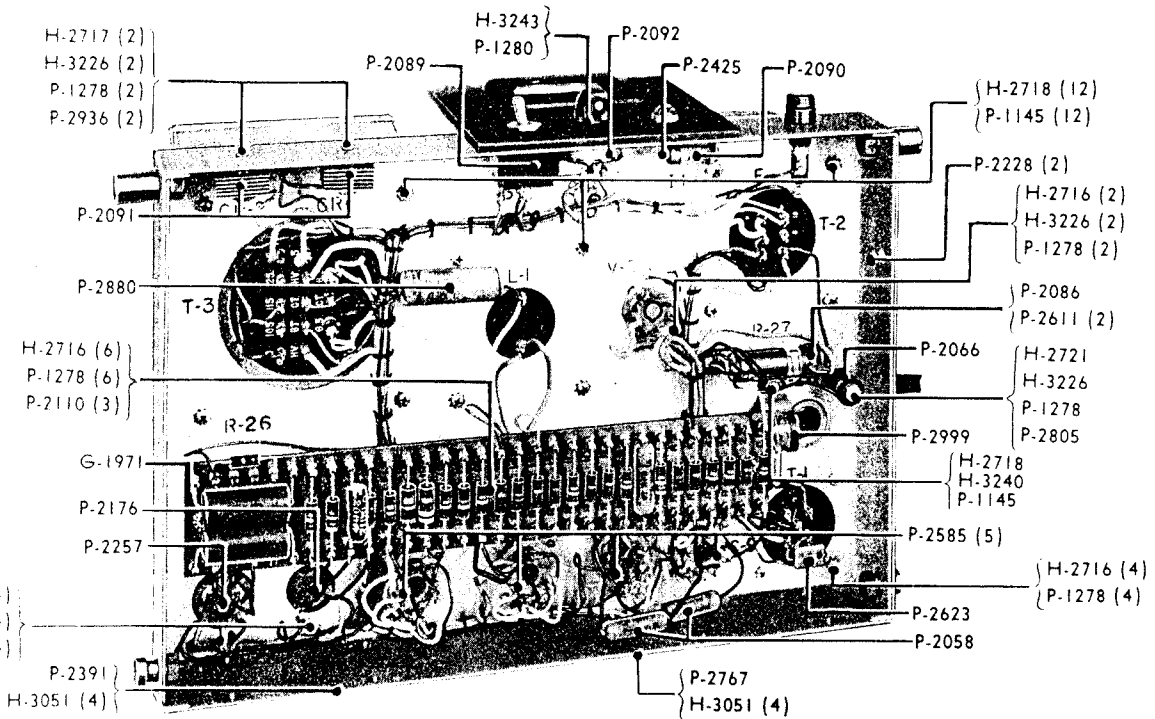
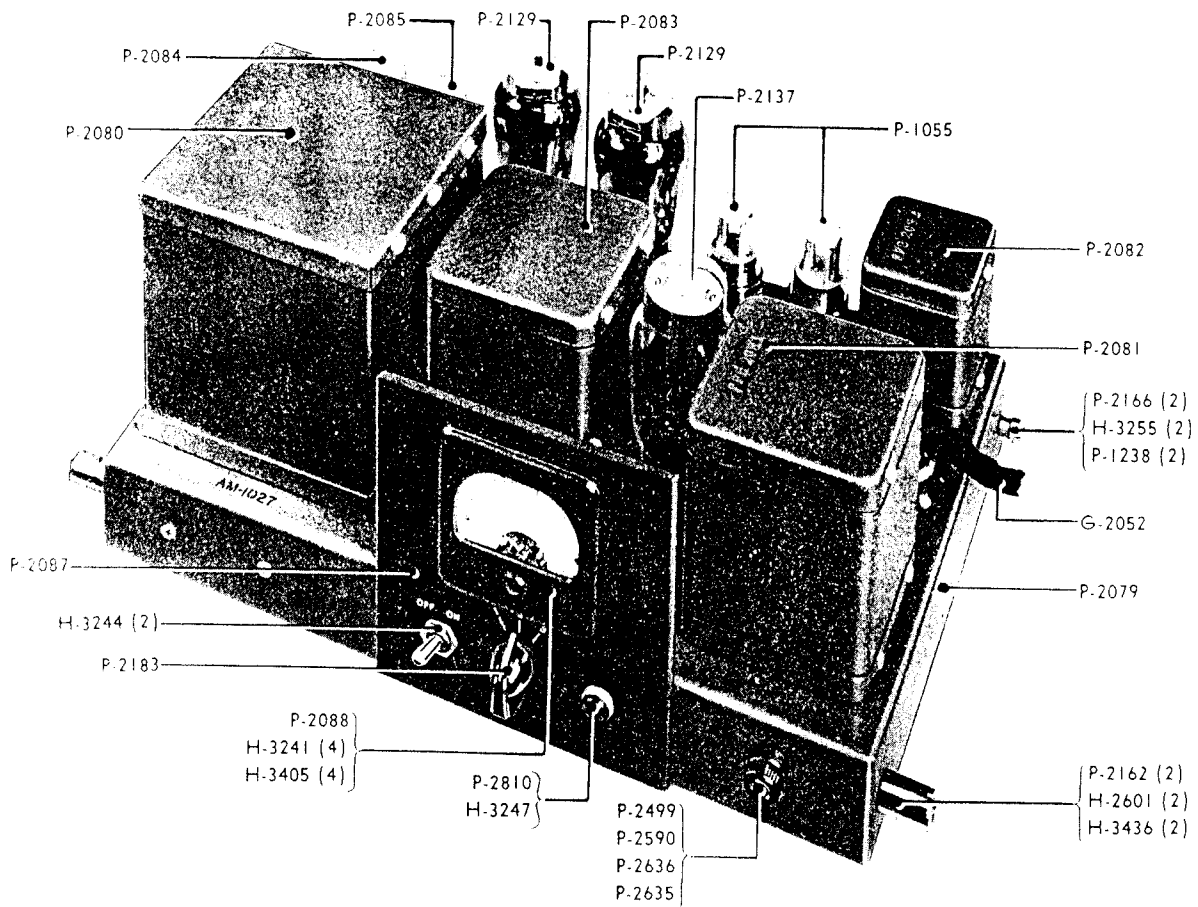
# Film-Tech

The information contained in this Adobe Acrobat pdf file is provided at your own risk and good judgment.

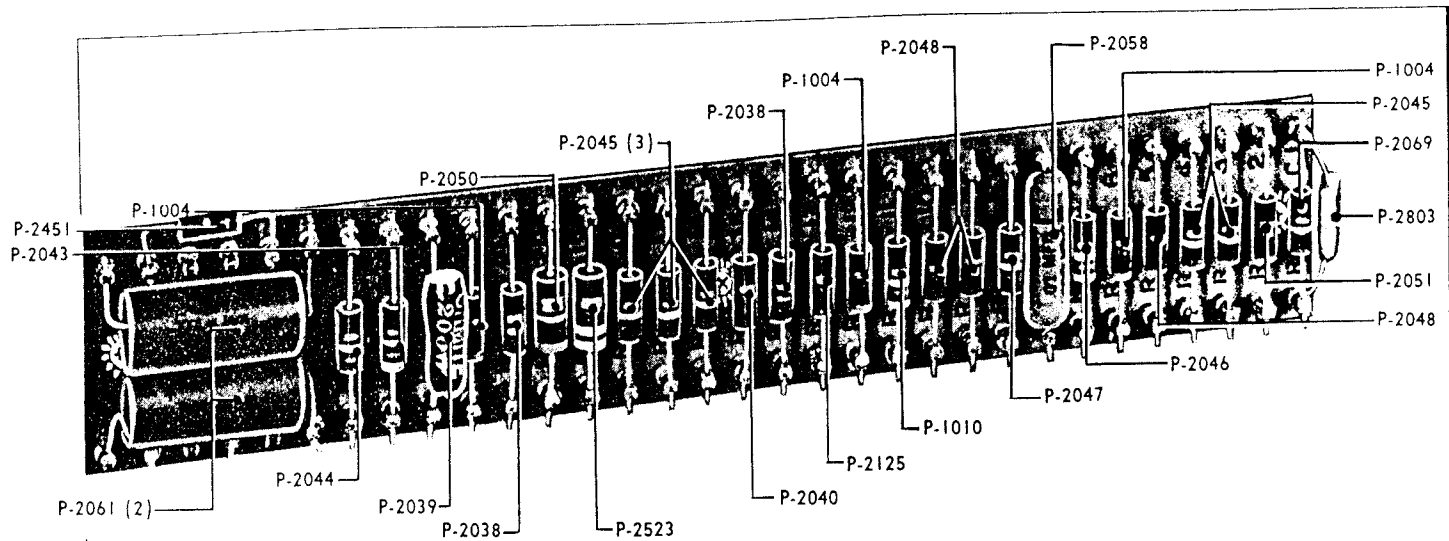
These manuals are designed to facilitate the exchange of information related to cinema projection and film handling, with no warranties nor obligations from the authors, for qualified field service engineers.

If you are not a qualified technician, please make no adjustments to anything you may read about in these Adobe manual downloads.

[www.film-tech.com](http://www.film-tech.com)



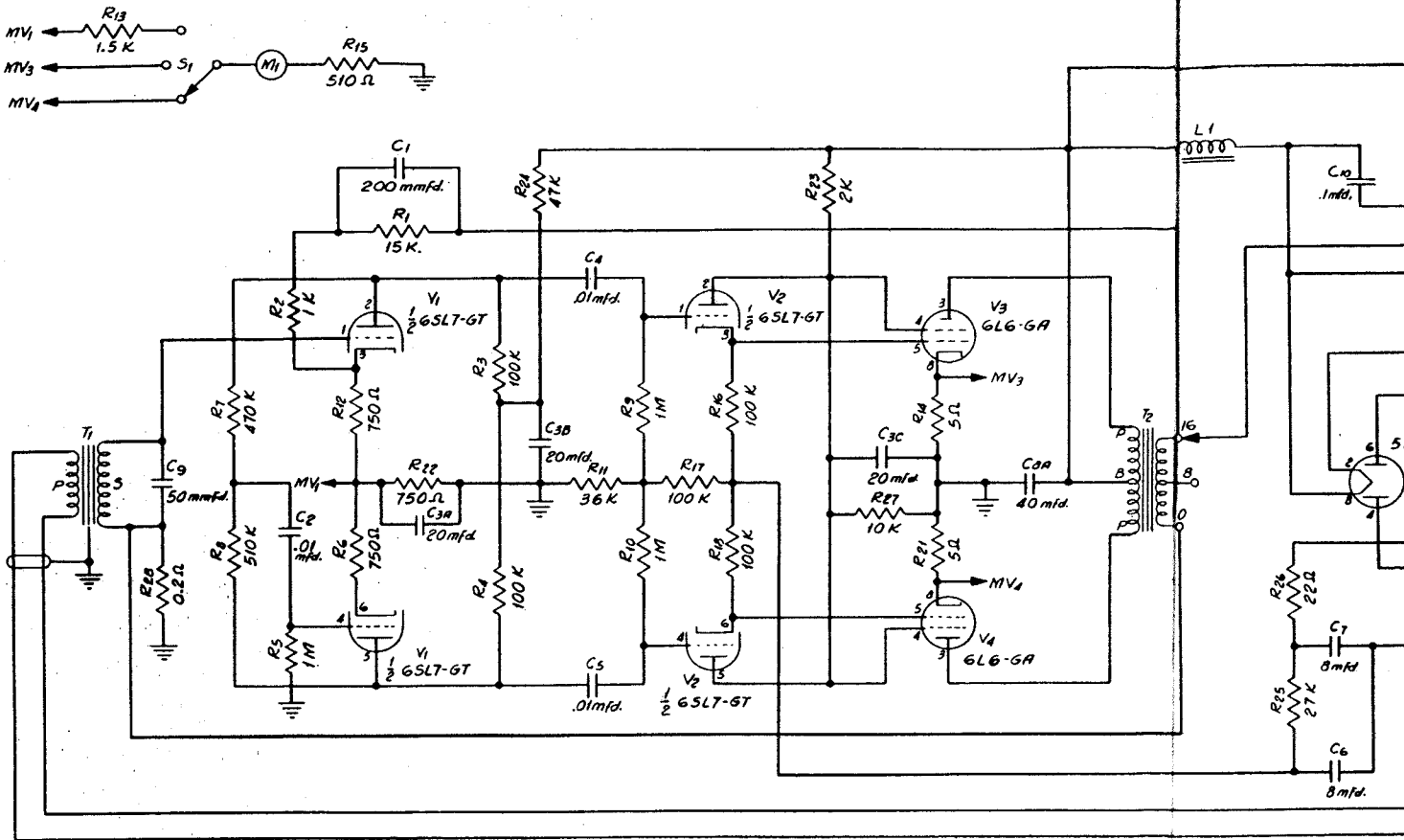
AM-1027 POWER AMPLIFIER



### AM-1027 POWER AMPLIFIER

G-1971	Resistor Mounting Strip and Lugs	P-2061	Capacitor, 8 mf, 250V Electrolytic (2)
G-2052	Cable Form	P-2066	Resistor, 0.2 ohms, 2 watt
H-2601	Chassis Stop Stud Fastening Screw (2)	P-2069	Resistor, 15,000 ohms, 1 watt
H-2716	Capacitor Plate-Resistor Bracket Fastening Screw (16)	P-2079	Chassis
H-2717	Rectifier Mounting Screw (2)	P-2080	Power Transformer
H-2718	Transformer Fastening Screw (13)	P-2081	Output Transformer
H-2721	Resistor Mounting Screw	P-2082	Input Transformer
H-3051	Nameplate-License Plate Fastening Screw (8)	P-2083	Reactor
H-3226	Capacitor Plate-Resistor Bracket Fastening Nut (9)	P-2084	Capacitor, 40/450, 40/450 Electrolytic
H-3240	Cable Clamp Fastening Nut	P-2085	Capacitor, 20/25, 20/450, 20/450 Electrolytic
H-3241	Tube Testing Meter Fastening Nut (4)	P-2086	Resistor, 10,000 ohms, 25 watt
H-3243	Tube Testing Switch Fastening Nut	P-2087	Front Panel
H-3244	AC Power Switch Fastening Nut (2)	P-2088	Tube Testing Meter
H-3247	Pilot Light Lens Fastening Nut	P-2089	AC Power Switch, D.P.S.T. Toggle
H-3255	Chassis Stop Screw Fastening Nut (2)	P-2090	Pilot Light Socket
H-3405	Tube Testing Meter Lockwasher (4)	P-2091	Selenium Rectifier (2)
H-3436	Chassis Stop Stud Lockwasher (2)	P-2092	Tube Testing Switch
P-1004	Resistor, 750 ohms, 1 watt (3)	P-2110	Resistor Strip Mounting Stud (3)
P-1010	Resistor, 36,000 ohms, 1 watt	P-2125	Resistor, 1,500 ohms, 1 watt
P-1055	Vacuum Tube, 6 SL7GT (2)	P-2129	Vacuum Tube, 6L6-G (2)
P-1145	Transformer-Reactor Lockwasher (13)	P-2137	Vacuum Tube, 5R4GY
P-1238	Chassis Stop Screw Lockwasher (2)	P-2162	Chassis Stop Stud (2)
P-1278	Capacitor Plate-Resistor Bracket Lockwasher (19)	P-2166	Chassis Stop Screw (2)
P-1280	Tube Testing Switch Lockwasher	P-2176	Capacitor Mounting Plate
P-2038	Resistor, 5 ohms, 1 watt (2)	P-2183	Tube Testing Switch Knob
P-2039	Resistor, 2,000 ohms, 5 watt	P-2228	Chassis Reinforcement Plate (2)
P-2040	Resistor, 510 ohms, 1 watt	P-2257	Capacitor Mounting Plate
P-2043	Resistor, 47,000 ohms, 1 watt	P-2391	License Plate
P-2044	Resistor, 27,000 ohms, 1 watt	P-2425	Pilot Light, 6-8V
P-2045	Resistor, 0.1 Meg., 1 watt (5)	P-2451	Resistor, 22 ohms, 1 watt
P-2046	Resistor, 0.47 Meg., 1 watt	P-2499	Fuse, 2 Amp. Cartridge Fusetron
P-2047	Resistor, 0.51 Meg., 1 watt	P-2523	Resistor, 3,300 ohms, 2 watt
P-2048	Resistor, 1 Meg., 1 watt (3)	P-2585	Vacuum Tube Socket, Octal (5)
P-2050	Resistor, 75,000 ohms, 2 watt	P-2590	Fuse Holder
P-2051	Resistor, 1,000 ohms, 1 watt	P-2611	Resistor Mounting Bracket (2)
P-2058	Capacitor, .01 mf, 600V (3)	P-2623	Capacitor, 50 mmf, 500V
		P-2635	Fuse Holder Rubber Washer
		P-2636	Fuse Holder Fastening Nut
		P-2767	Nameplate
		P-2803	Capacitor, 200 mmf, 500V
		P-2805	Resistor Insulating Bushing
		P-2810	Pilot Light Lens
		P-2880	Capacitor, 0.1 mf, 600V
		P-2936	Rectifier Insulating Washer (2)
		P-2999	Cable Clamp





SYMBOL	I.P.C. PT. #	DESCRIPTION
R1	PA-2069	RESISTOR, 15 K, 1W., CARBON
R2	-2051	" , 1 K, 1W., "
R3	-2045	" , 100K, 1W., "
R4	-2045	" , 100K, 1W., "
R5	-2048	" , 1M, 1W., "
R6	-1004	" , 750Ω, 1W., "
R7	-2046	" , 470 K, 1W., "
R8	-2047	" , 510 K, 1W., "
R9	-2048	" , 1M, 1W., "
R10	-2048	" , 1M, 1W., "
R11	-1010	" , 36 K, 1W., "
R12	-1004	" , 750Ω, 1W., "
R13	-2125	" , 1.5 K, 1W., "
R14	-2038	" , 5Ω, 1W., "
R15	-2040	" , 510Ω, 1W., "
R16	-2045	" , 100 K, 1W., "
R17	-2045	" , 100 K, 1W., "
R18	-2045	" , 100 K, 1W., "
R19	-2523	" , 3.3K, 2W., "
R20	-2050	" , 75 K, 2W., "

SYMBOL	I.P.C. PT. #	DESCRIPTION
R21	PA-2038	RESISTOR, 5Ω, 1W., CARBON
R22	-1004	" , 150Ω, 1W., "
R23	-2039	" , 2 K, 5W., WIREWOUND
R24	-2043	" , 47 K, 1W., CARBON
R25	-2044	" , 27 K, 1W., "
R26	-2451	" , 22Ω, 1W., "
R27	-2086	" , 10 K, 25W., WIREWOUND
R28	-2066	" , 0.2Ω, 2W., "
C1	-2803	CAPACITOR, 200mmfd., 500V., MOLDED MICA
C2	-2058	" , .01mfd., 600V., TUB., PAPER
C3A	-2085	CAPACITOR, 20 mfd., 25 V.
C3B		ELECTROLYTIC
C3C	-2085	20 mfd., 450 V.
C4	-2058	CAPACITOR, .01mfd., 600V., TUB., PAPER
C5	-2058	" , .01mfd., 600V., " , "
C6	-2061	" , 8mfd., 250V., TUB., ELEC.
C7	-2061	" , 8mfd., 250V., " , "
C8A	-2084	40 mfd., 450V., "
C8B		40 mfd., 450V., "
C9	-2623	" , 50mmfd., 500V., MOLDED MICA
C10	-2880	" , 1mfd., 600V., TUB., PAPER

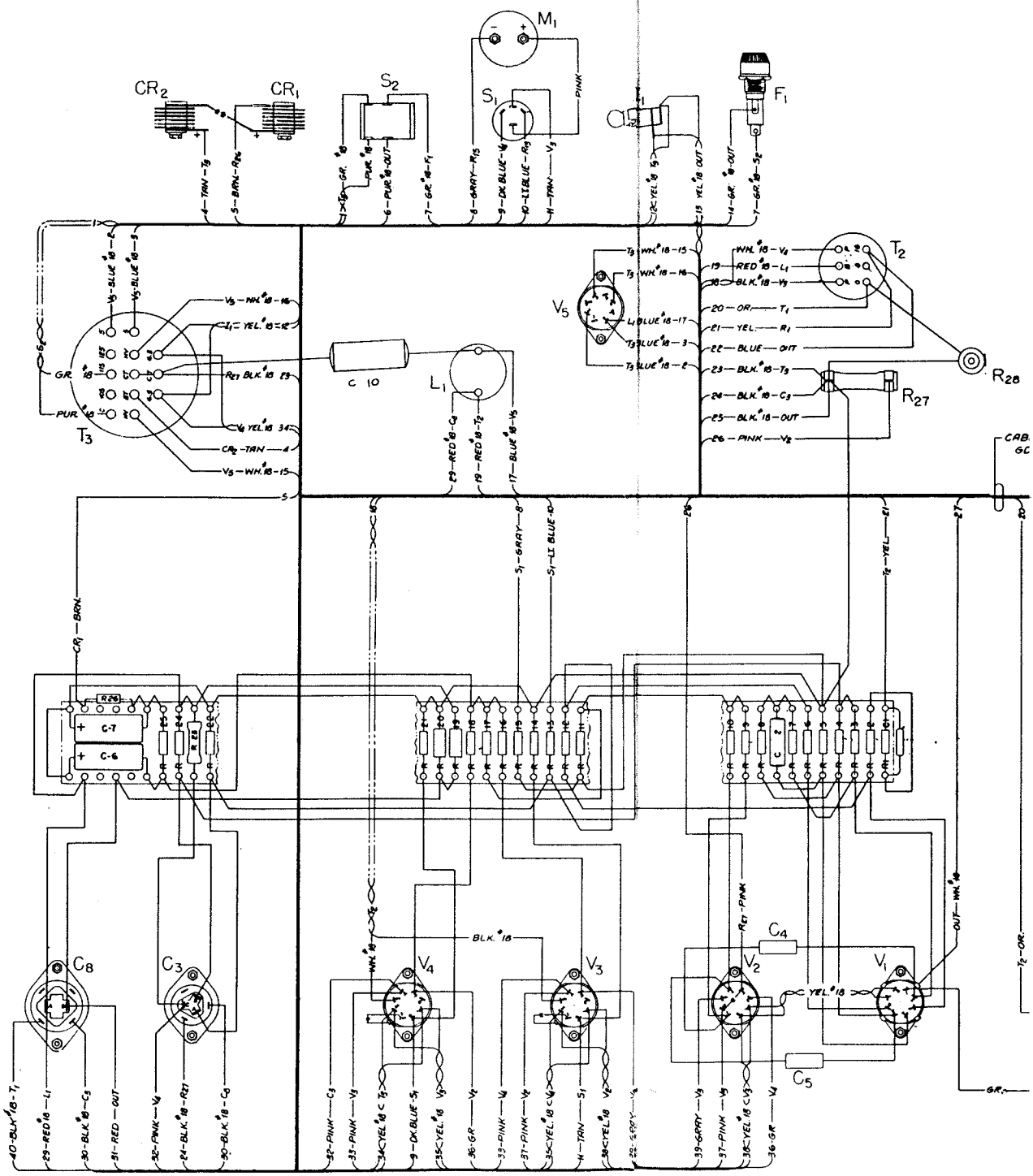
SYMBOL	I.P.C. PT. #	DESCRIPTION
T1	PB-2082	INP
T2	-2081	OUT
T3	PC-2080	POI
L1	PB-2083	CH
F1	PA-2499	FUS
I1	-2425	DIA
CR1	-2091	SEI
CR2	-2091	"
M1	-2088	D.C.
S1	-2092	ROT
S2	-2089	TOG
V1	-1055	VAC
V2	-1055	"
V3	-2129	"
V4	-2129	"
V5	-2137	"

LEGEND: K=x1000 Ω  
M=x1,000,000 Ω

REFER.

UNLESS OTHERWISE SPECIFIED  
RESISTOR AND CAPACITOR VALUES SHOWN  
UNLESS OTHERWISE SPECIFIED. USE THE 5% TOLERANCE  
RESISTORS OF ALL POWER. USE THE 5% TOLERANCE  
CAPACITORS OF ALL POWER. USE THE 5% TOLERANCE





ALL WIRES ARE #20 A.M.G., UNLESS OTHERWISE SPECIFIED.  
 \*EW-692 SOLID TINNED COPPER WIRE  
 JUMPER & STRAP LENGTHS INCLUDED ON CABLE FORM DMS.  
 WIRES ON RESISTOR & CAPACITOR STRIP ARE INCLUDED ON  
 DMS. GC-1925  
 COVER LEADS OF RESISTORS & CAPACITORS WITH EW-961  
 PLASTIC SLEEVING WHERE NECESSARY.  
 \*\*EW-692 WIRE COVERED WITH EW-961 SLEEVING.

LEGEND  
 K = 1000 Ω  
 M = 1,000,000 Ω

REFERENCE DMS.  
 AWE 1027-POWER AMPLIFIER  
 WD-1066-SCHEMATIC