

Film-Tech

The information contained in this Adobe Acrobat pdf file is provided at your own risk and good judgment.

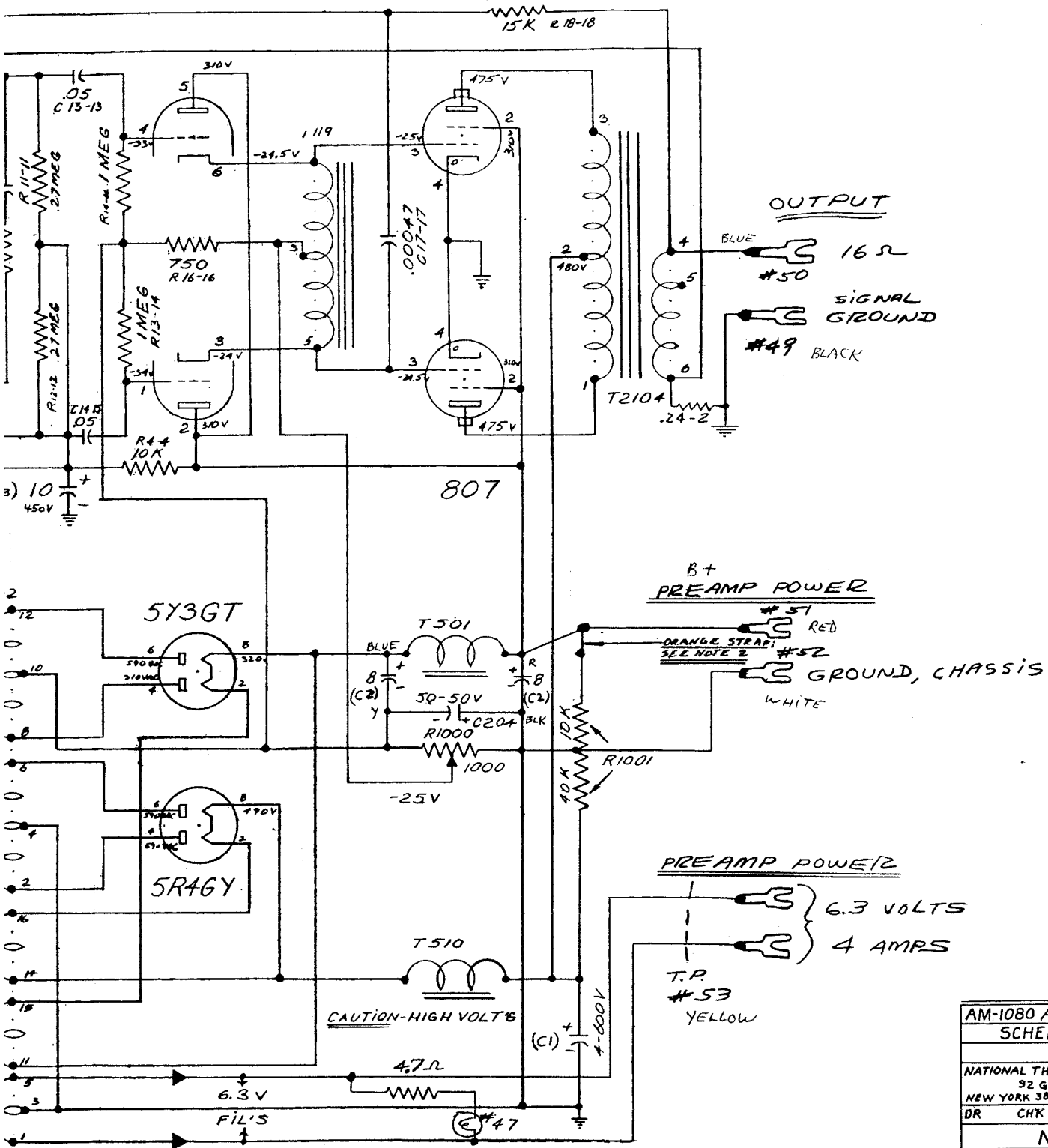
These manuals are designed to facilitate the exchange of information related to cinema projection and film handling, with no warranties nor obligations from the authors, for qualified field service engineers.

If you are not a qualified technician, please make no adjustments to anything you may read about in these Adobe manual downloads.

www.film-tech.com

6SN7GT

807



AM-1080 AMPLIFIER
SCHEMATIC

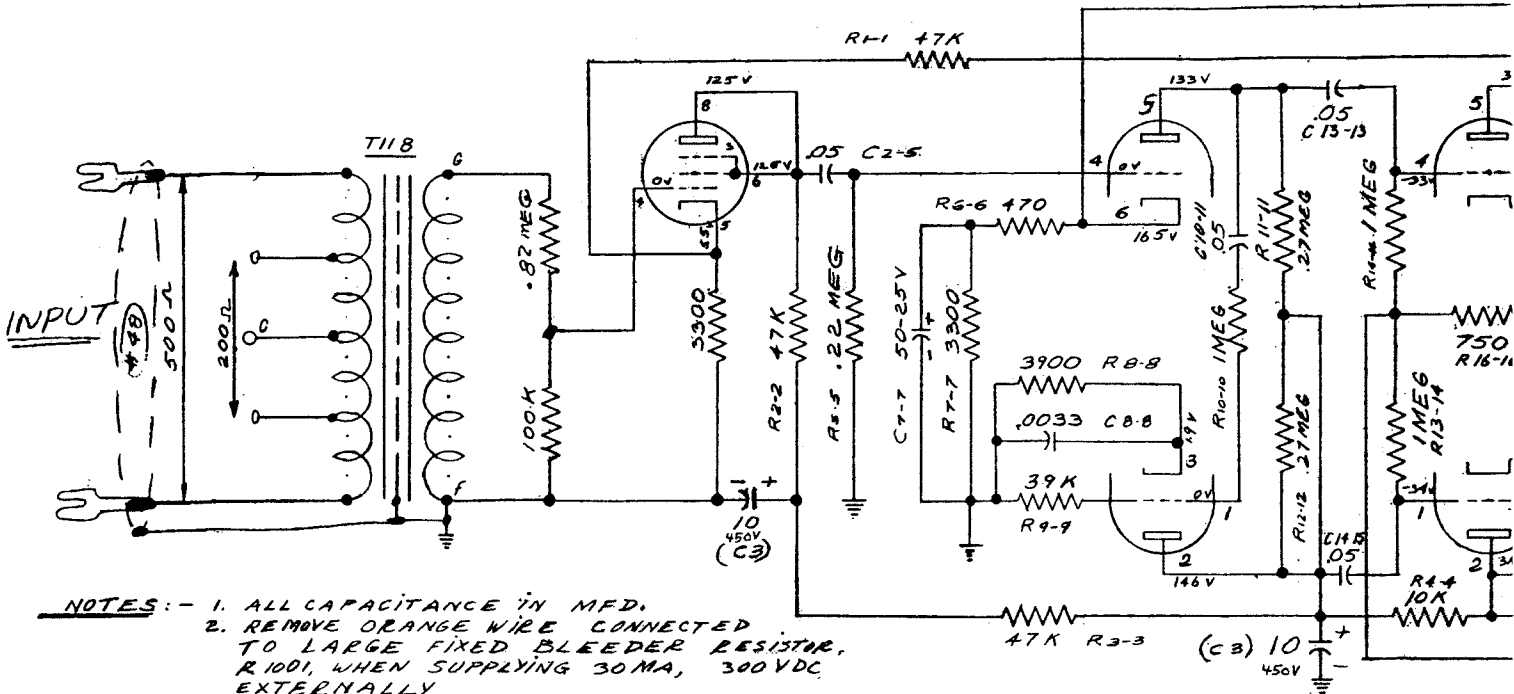
NATIONAL THEATRE SUPPLY
32 GOLD ST
NEW YORK 38 NEW YORK
DR CHK APP'D

NS-167

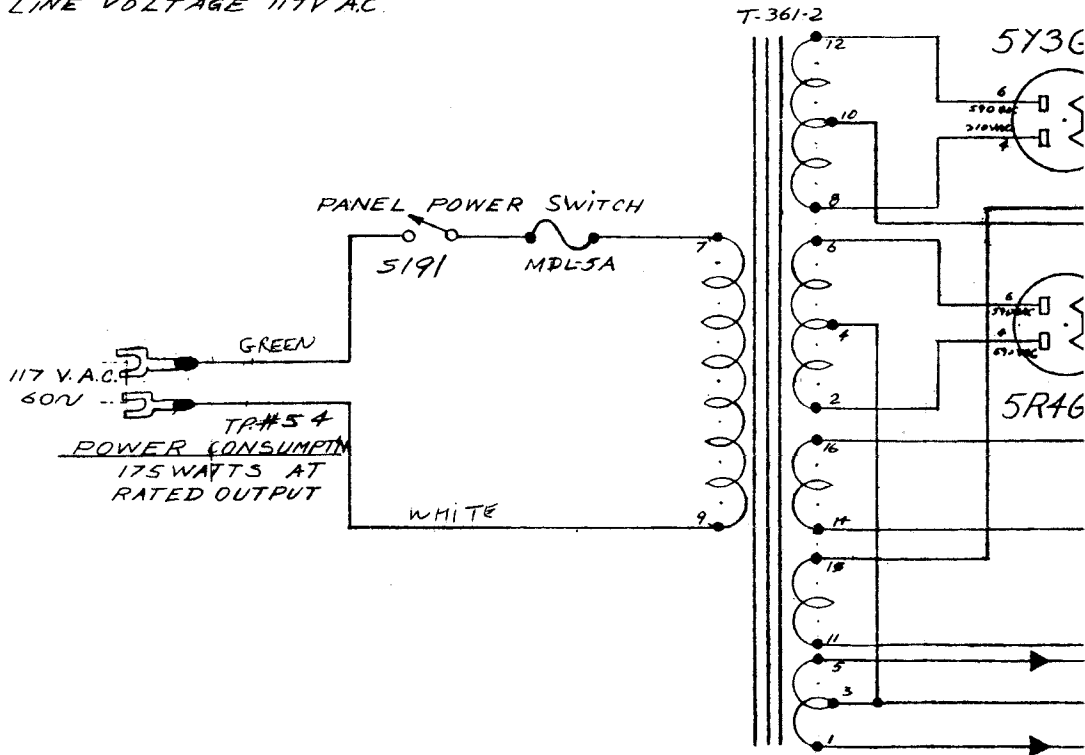
6SU7

6SL7GT

6SN7



- NOTES:** - 1. ALL CAPACITANCE IN MFD.
 2. REMOVE ORANGE WIRE CONNECTED TO LARGE FIXED BLEEDER RESISTOR, R1001, WHEN SUPPLYING 30MA, 300VDC EXTERNALLY.
 3. VOLTAGES WERE D.C. READINGS ON A VACUUM TUBE VOLTMETER VALUES ARE WITH RESPECT TO GROUND. NO SIGNAL. LINE VOLTAGE 117V A.C.



TR#54
 POWER CONSUMPTION
 175 WATTS AT
 RATED OUTPUT