

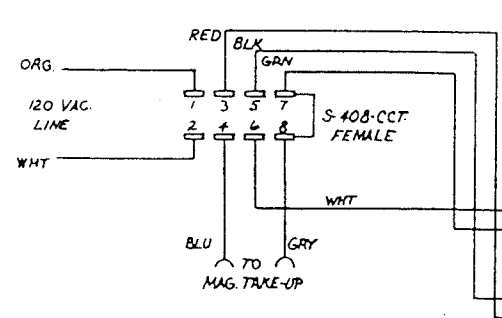
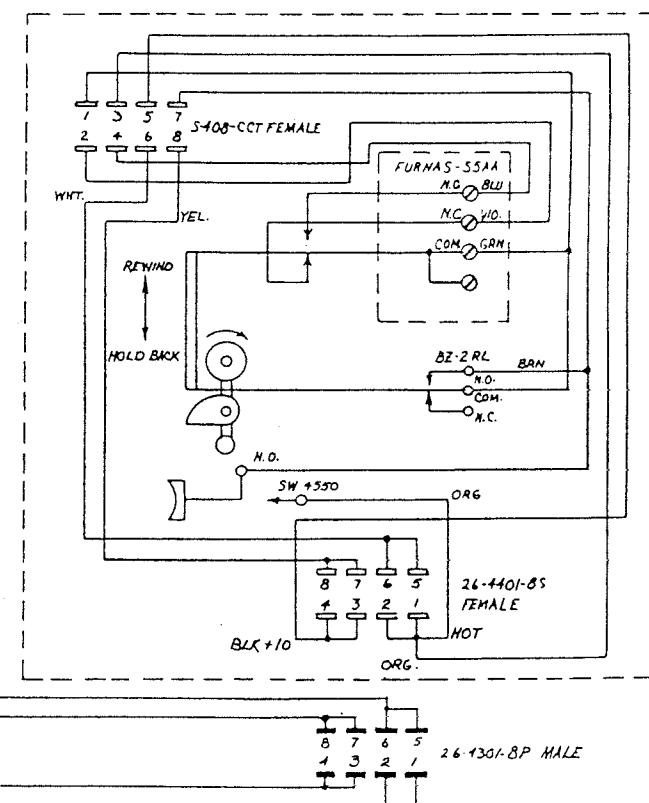
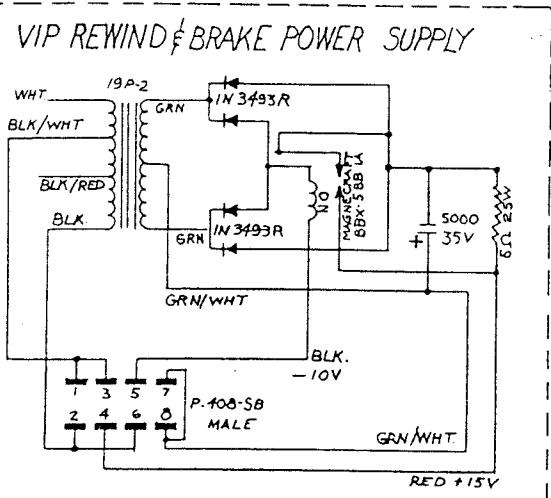
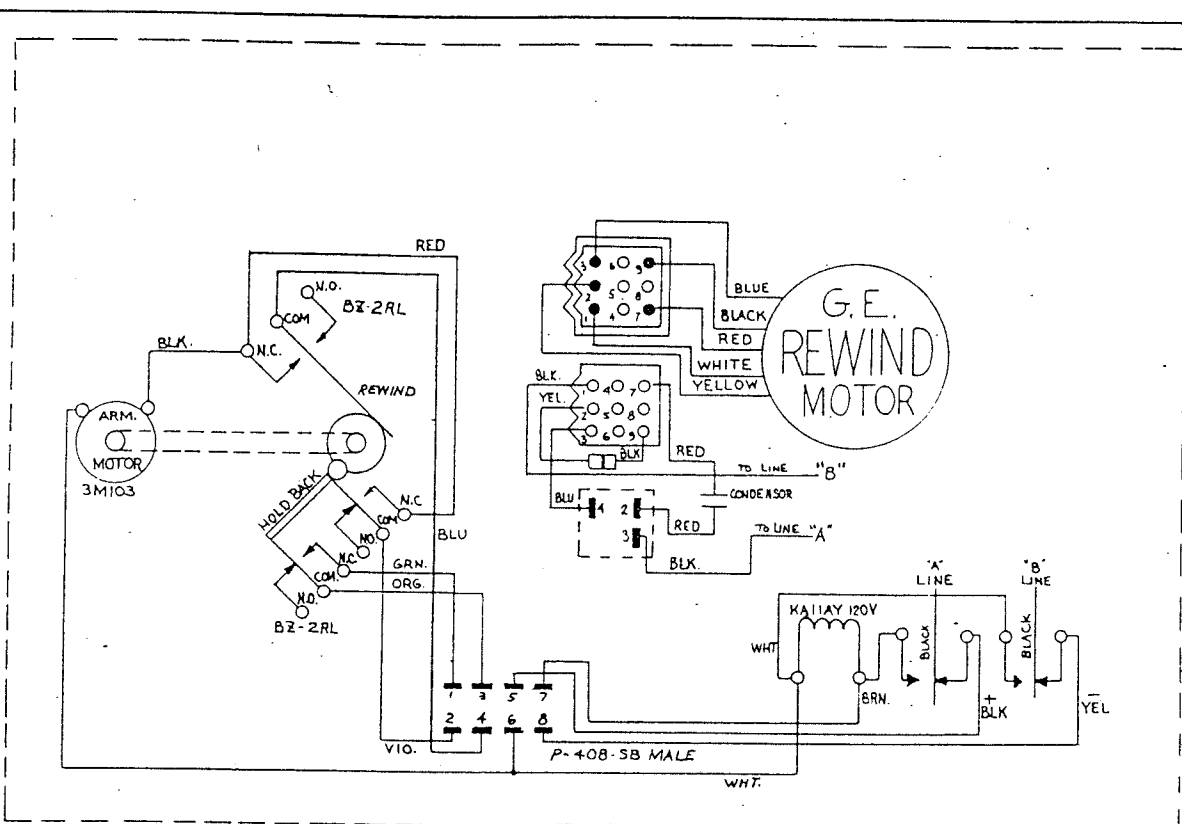
Film-Tech

The information contained in this Adobe Acrobat pdf file is provided at your own risk and good judgment.

These manuals are designed to facilitate the exchange of information related to cinema projection and film handling, with no warranties nor obligations from the authors, for qualified field service engineers.

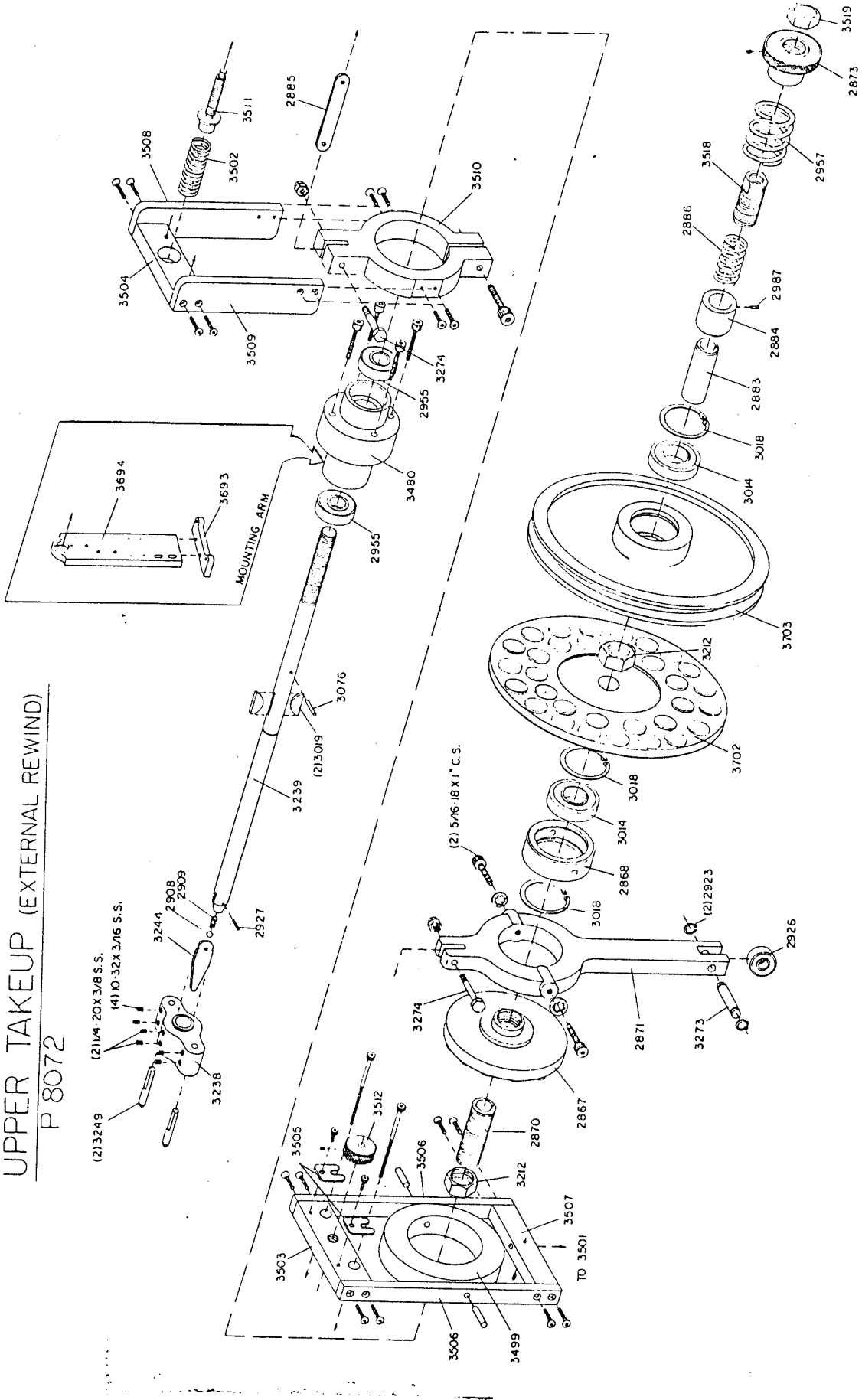
If you are not a qualified technician, please make no adjustments to anything you may read about in these Adobe manual downloads.

www.film-tech.com



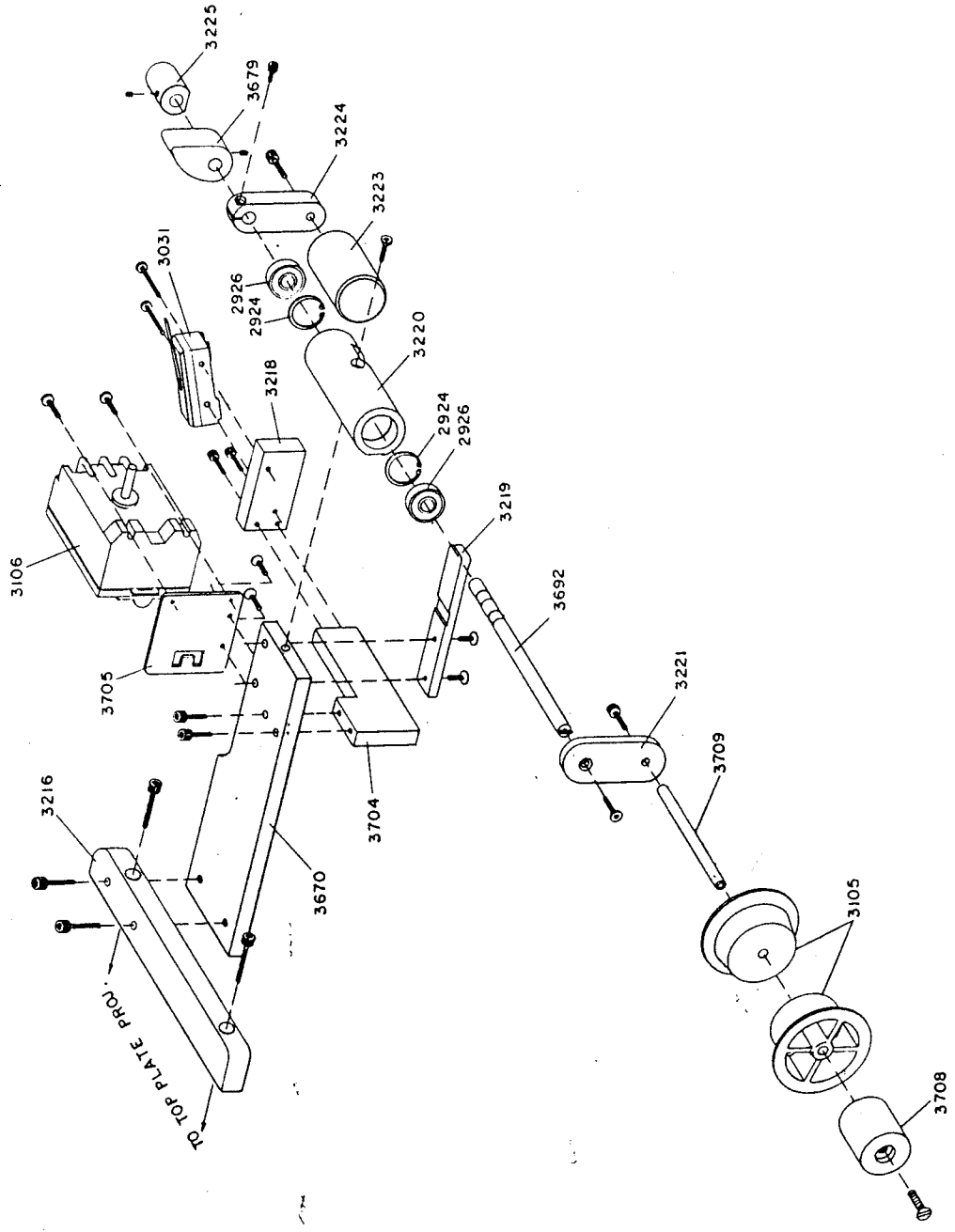
| | | | |
|--|----------------------------------|--------------------|------------------|
| REVISION 10-28-80 BODINE MOTOR DELATED | BALLANTYNE OF OMAHA, INC. | | |
| REVISION 7-21-80 TO SHOW CHOISE BETWEEN GE 1 BODINE | 1712 JACKSON ST. | PHONE NO. 342-4444 | |
| REVISION 5-15-80 FOR REWIND DRAG IN REWIND MODE | FX-30 EXTERNAL REWIND | | |
| DRAWN BY DEB-CKD MJB | SCALE NONE | DRAWING NO. 3659 | ORN BY BILL YEOP |
| | DATE 10-13-79 | | REV. DON FROCKS |

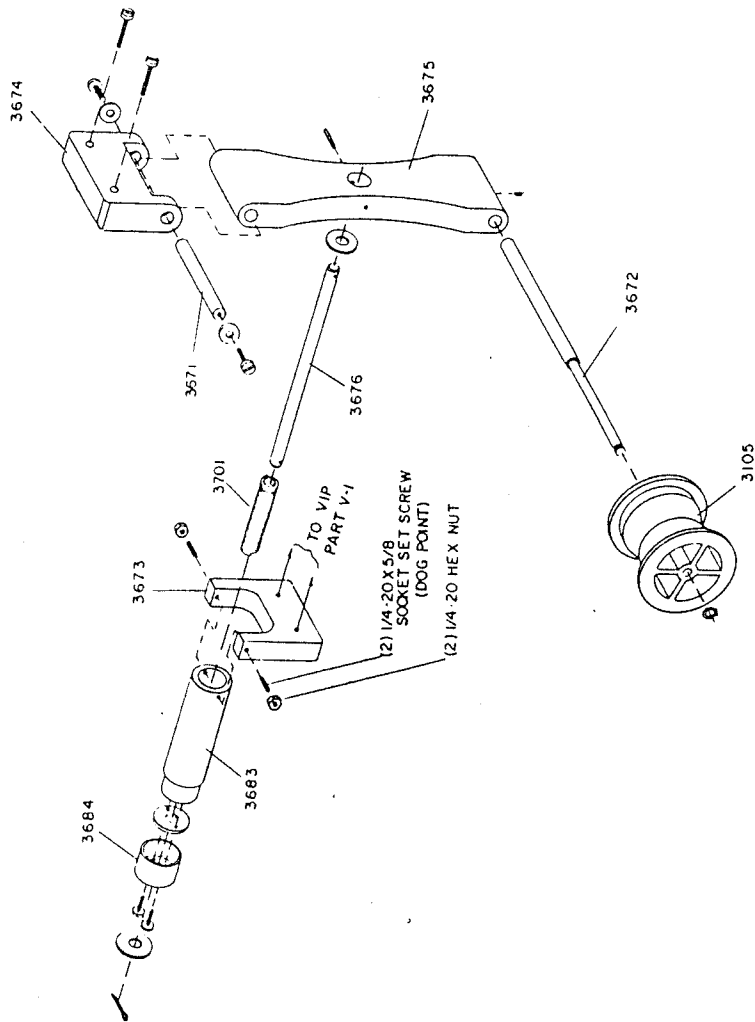
UPPER TAKEUP (EXTERNAL REWIND)
P 8072



P8080

Dr # 4114 *SSJ* 2/24/77





BALLANTYNE of OMAHA, INC.

1712 JACKSON STREET
 TELEPHONE 342-4444
 OMAHA, NEBRASKA

ASSEMBLY P 8082

SCALE _____ DRAWING NO. 115
 DATE 7/1/53

DRAWN BY
 REVISED