

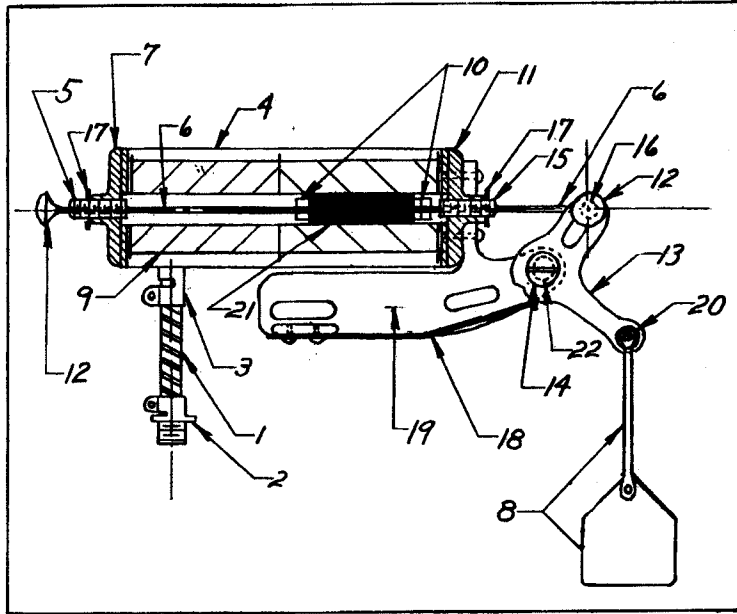
Film-Tech

The information contained in this Adobe Acrobat pdf file is provided at your own risk and good judgment.

These manuals are designed to facilitate the exchange of information related to cinema projection and film handling, with no warranties nor obligations from the authors, for qualified field service engineers.

If you are not a qualified technician, please make no adjustments to anything you may read about in these Adobe manual downloads.

www.film-tech.com



MODEL C WEAVER Century DOUSER

Model C Douser, Complete...\$25.00—Pair \$50.00

PARTS	PRICE
C- 1—Flex Steel Cable, per ft.	\$.10
C- 2—Connector ½" K. O.25
C- 4—Coil Box	5.00
C- 5—Back Bumper and Adj. Plug75
C- 6—Piston Rod	1.00
C- 7—Coil Box End (Back)	3.00
C- 8—Douser Blade80
C- 9—Double Coil or Core	5.00
C-10—Leather Bumper05
C-11—Coil Box End (Front)	3.50
C-12—Handle for Hand Operation (Alum.)80
C-13—Slot or Fork	4.00
C-14—Bearing Screw70
C-15—Front Bumpers and Adj. Plug75
C-16—Plunger Spool40
C-17—Lock Nut10
C-18—Spring70
C-19—Head Casting	6.50
C-20—Blade Adjustment Screw50
C-21—Piston	1.00
C-22—Fork Bushing30
C-25—Complete Head Assembly	12.50
C-26—Mounting Bracket	3.00

ORDER BY NUMBER