

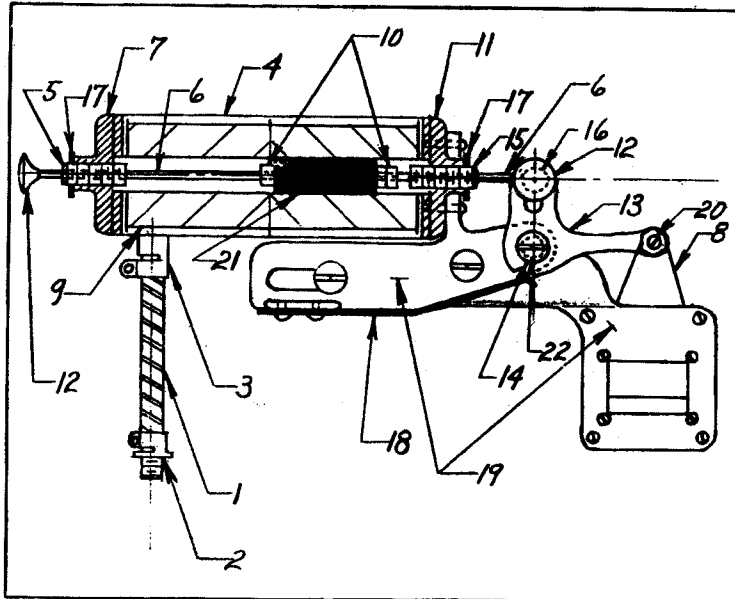
# Film-Tech

The information contained in this Adobe Acrobat pdf file is provided at your own risk and good judgment.

These manuals are designed to facilitate the exchange of information related to cinema projection and film handling, with no warranties nor obligations from the authors, for qualified field service engineers.

If you are not a qualified technician, please make no adjustments to anything you may read about in these Adobe manual downloads.

[www.film-tech.com](http://www.film-tech.com)



## MODEL K

### WEAVER De Luxe Motiograph DOUSER

**Model K Douser, Complete...\$25.00—Pair \$50.00**

PARTS	PRICE
K- 1—Flex Steel Cable, per ft.....	\$ .10
K- 2—Connector ½" K. O. ....	.25
K- 4—Coil Box .....	5.00
K- 5—Back Bumper and Adj. Plug .....	.75
K- 6—Piston Rod .....	1.00
K- 7—Coil Box End (Back) .....	3.00
K- 8—Douser Blade .....	.80
K- 9—Double Coil or Core .....	5.00
K-10—Leather Bumper .....	.05
K-11—Coil Box End (Front) .....	3.50
K-12—Handle for Hand Operation (Alum.) .....	.80
K-13—Fork .....	4.00
K-14—Bearing Screw .....	.70
K-15—Front Bumper and Adj. Plug .....	.75
K-16—Plunger Spool .....	.40
K-17—Lock Nut .....	.10
K-18—Spring .....	.70
K-19—Head Casting .....	7.50
K-20—Douser Adjustment Screw .....	.50
K-21—Piston .....	1.00
K-22—Bearing .....	.30
K-25—Head Assembly .....	12.50

ORDER BY NUMBER