

Film-Tech

The information contained in this Adobe Acrobat pdf file is provided at your own risk and good judgment.

These manuals are designed to facilitate the exchange of information related to cinema projection and film handling, with no warranties nor obligations from the authors, for qualified field service engineers.

If you are not a qualified technician, please make no adjustments to anything you may read about in these Adobe manual downloads.

www.film-tech.com

Table 70mm Crossover Installation, Operating Instructions and Parts List.

PRODUCT INFORMATION BULLETIN #1815

Note: These conversion instructions apply to Make-Up Tables using a Transfer Arm Assembly, Adjustable, part number 1810-19-11. If your Make-Up Table uses an older transfer arm which is fabricated from 1" diameter tubing, you must replace it with Transfer Arm 1810-19-11.

APPLICATION

This supplement covers conversion of your Make-Up Table from 35mm to 70mm film, or from 70mm to 35mm film and operating instructions. Once the transfer arm is installed on the table and the 35/70mm Castor Swivel Brackets and Pulley Assemblies are in place, the component changes required to switch from 35mm to 70mm or from 70mm to 35mm are the Table Tensioner, the Table Pulley and Bracket, both Transfer Arm Assemblies and hardware. The new Transfer Arm Mount bracket will replace the old Transfer Arm Mount Bracket and will be used for both 35mm and 70mm film.

INSTALLATION

1. Remove the Rubber End Plug from the top of Transfer Arm (see Fig. 1, page 2). Loosen the Transfer Arm Knob Sub-assemblies and slide the 35mm Castor Swivel Bracket and Pulley Assemblies out the top of the arm. Replace with the new 35/70mm assemblies.

Note: the Swivel Bracket and Pulley at the top is a left and the Swivel Bracket and Pulley at the bottom is a right. Install the 35/70mm Castor Swivel Bracket and Pulley Assemblies so the right is at the bottom and the left is at the top.

Replace the Rubber End Plug.

2. Remove the two 1/4" Capscrews holding the 35mm Transfer Arm Mount Bracket to the table and replace the with the new 35/70mm Transfer Arm Mount Bracket. Use the mounting holes shown in figure 1 for proper 35/70mm film alignment. The 35mm Transfer Arm Mount Bracket will not be reused.

This completes the Transfer Arm modifications. You can now run either 35mm or 70mm film through the Transfer Arm. You can also convert the arm back to the 35mm configuration and move the Mount Bracket to the original holes for 35mm operation if desired.

TABLE MODIFICATIONS FOR 70mm FILM OPERATION

1. Remove the 35mm Table Pulley Bracket Assembly and the 35mm Table Tensioner Assembly and replace them with the 70mm Table Pulley Bracket Assembly and 70mm Table Tensioner Assembly (see Fig. 2, page 2). See PIB 2539, Table Operation Manual for complete instructions.

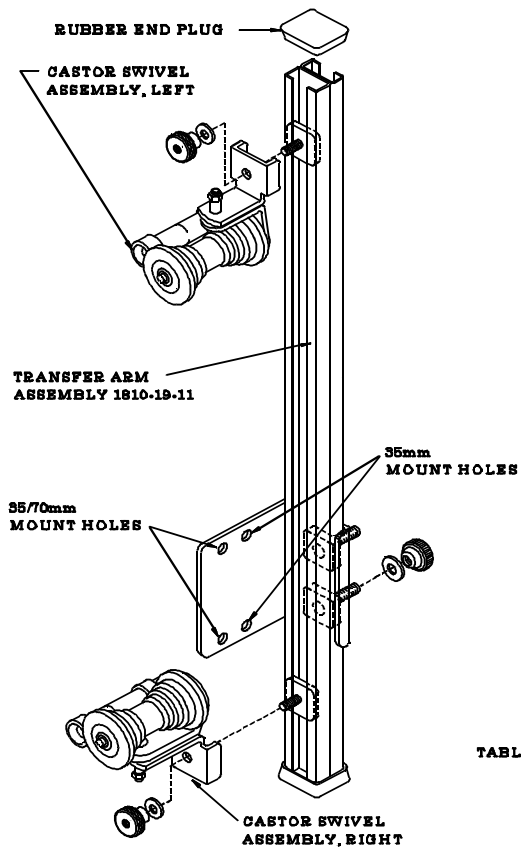


Figure 1

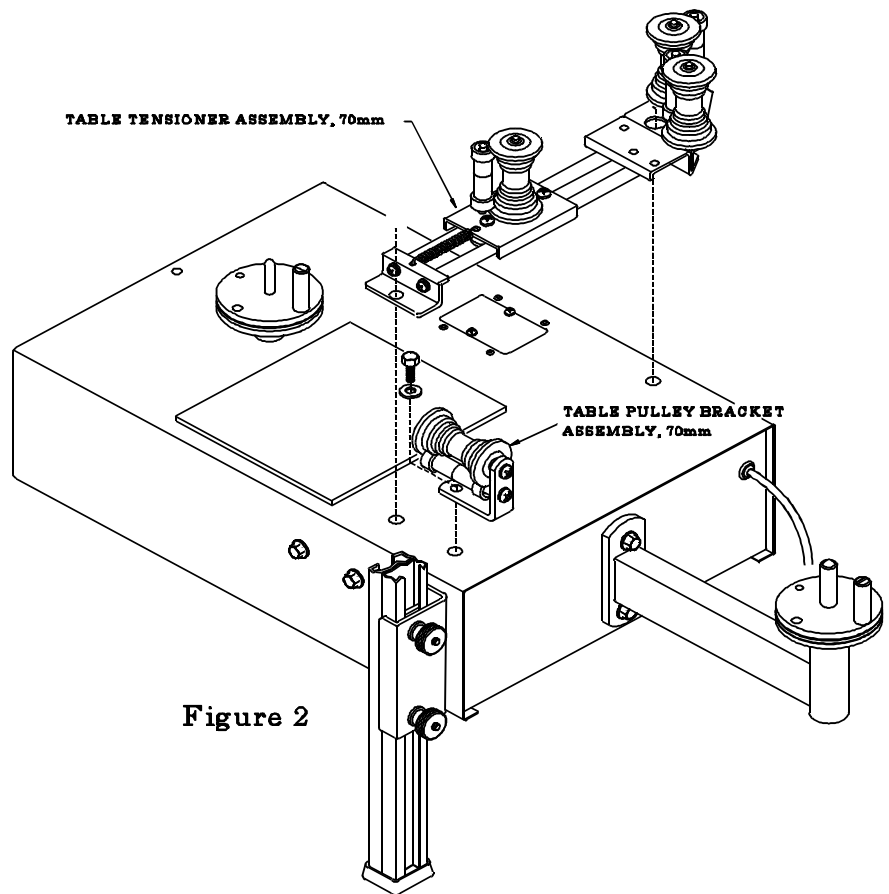


Figure 2

TABLE MODIFICATIONS FOR 35mm FILM OPERATION

2. Remove the 70mm Table Pulley Bracket Assembly and the 70mm Table Tensioner Assembly and replace them with the 35mm Table Pulley Bracket Assembly and 35mm Table Tensioner Assembly.
See P.I.B. 2539, Table Operation Manual for complete instructions.

NOTE: Extra fasteners are provided with this kit in case of loss or breakage. If additional replacement parts are required, see PIB. 3852, 70mm Alpha Parts Manual.

35/70mm Crossover Kit Parts List (see page 4)

- A) 4311 Transfer Arm Swivel Assy, Left, 70mm
- C) 1556 Pulley Shaft-Castor .125 & Pulley Assy. 70mm
- D) 2876 Spool & Shaft Assy. 70mm
- E) 4312 Transfer Arm Swivel Assy., Right, 70mm
- F) 3948 Pulley Shaft #5 & Pulley Assy. 70mm
- 1) 4313 Transfer Arm Knob Assy, Type 2
- 2) 1071 Screw, PTH 10-32 x 3/8"
- 3) 1078 Lockwasher, #10-Internal Tooth
- 4) 2629 Take-Up Slide Shaft & Roller Assy.
- 5) 1299 Table Tensioner Carrier Plate
- 6) 1300 Spring Extension, 7/16 x 4"
- 7) 1298 Table Tensioner Rail
- 8) 1301 Table Tensioner Lower Bracket
- 9) 1297 Table Upper Tensioner Bracket
- 10) 4300 Table Tension Carrier Extension Plate, 70mm
- 11) 1072 Screw, PTH 10-32 x 1/2"
- 12) 1509 Table Tensioner Assy. 70mm
- 13) 1429 Table Pulley Bracket, 70mm
- 14) 1508 Table Pulley Bracket Assy. 70mm
- 15) 1662 Transfer Arm Mount Bracket, 70mm

