

Film-Tech

The information contained in this Adobe Acrobat pdf file is provided at your own risk and good judgment.

These manuals are designed to facilitate the exchange of information related to cinema projection and film handling, with no warranties nor obligations from the authors, for qualified field service engineers.

If you are not a qualified technician, please make no adjustments to anything you may read about in these Adobe manual downloads.

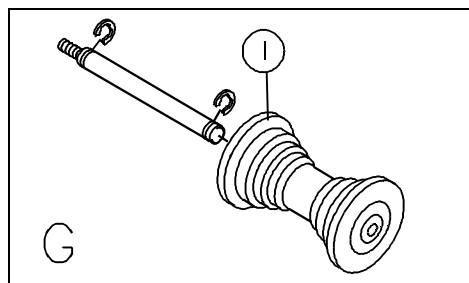
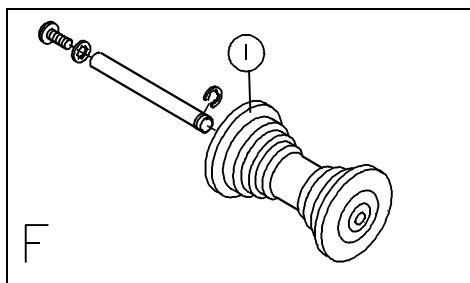
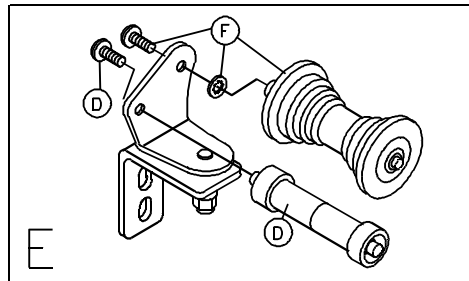
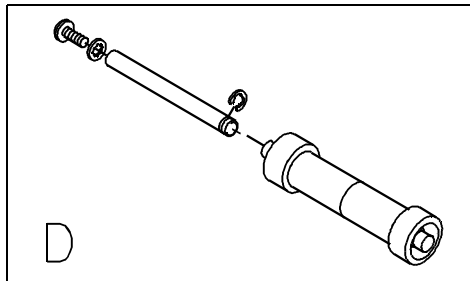
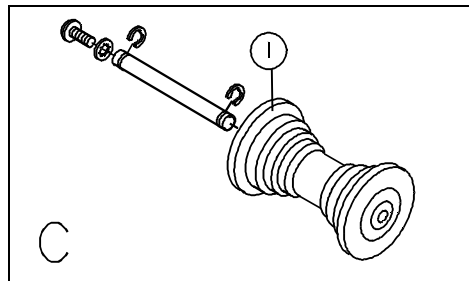
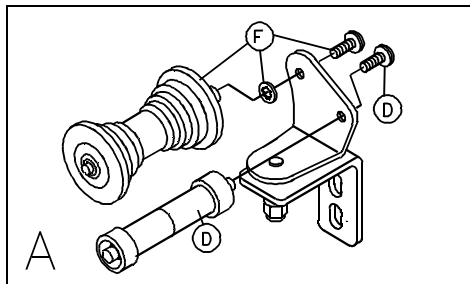
www.film-tech.com

Hi-Speed Alpha 70mm Parts Manual

PRODUCT INFORMATION BULLETIN # 4297

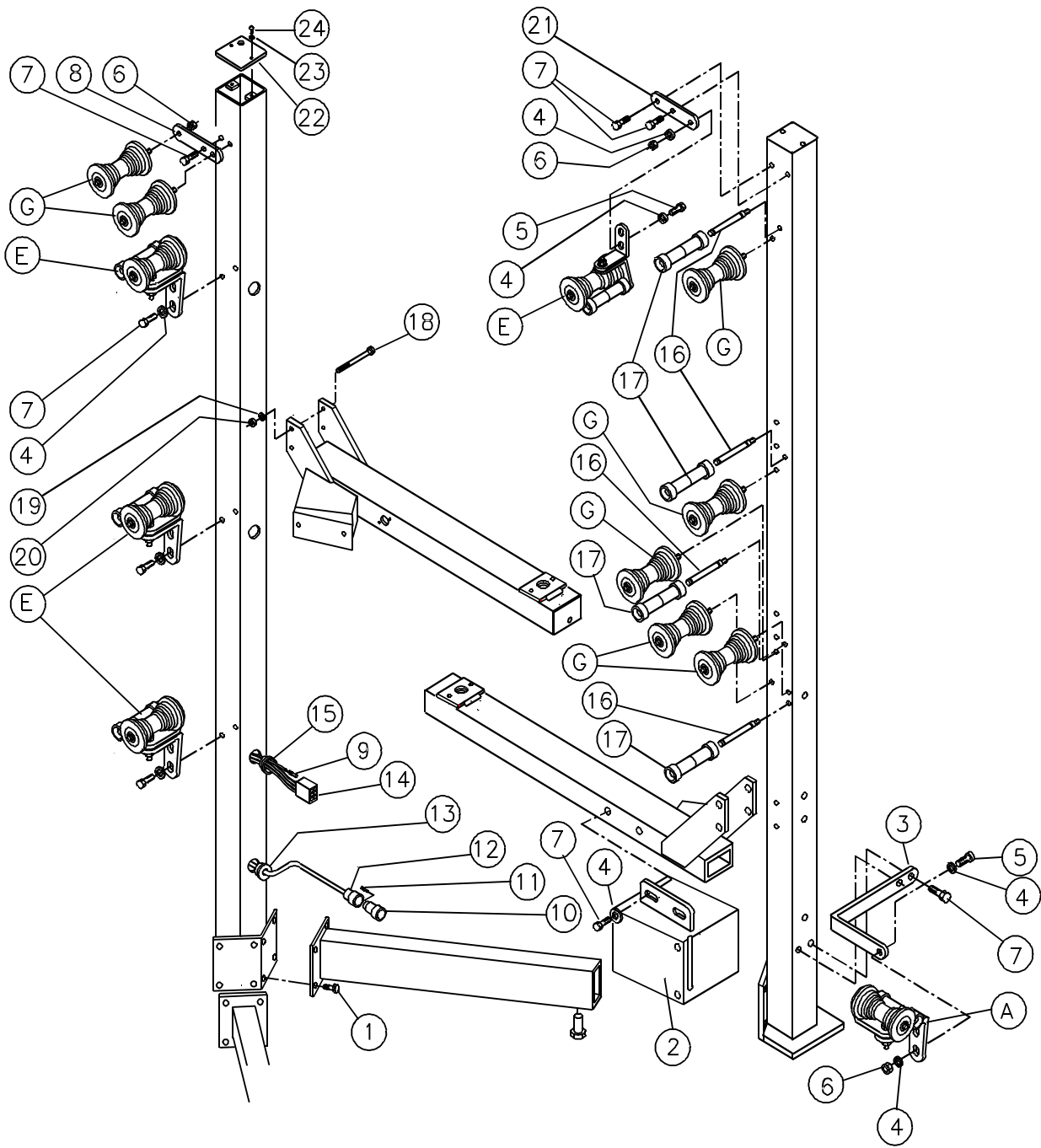
Record Platter System Identification Numbers Here:

Model # _____ Serial # _____



COMMON 70mm PULLEY ASSEMBLIES

- A) 2605 Castor Swivel Assy, Left 70mm
- C) 1556 Pulley Shaft-Castor & Pulley Assy 70mm
- D) 2876 Spool & Shaft Assy. 70mm
- E) 1554 Castor Swivel Assy, Right 70mm
- G) 1552 Column Shaft & Pulley Assy 70mm
- I) 1715 Pulley Assy. 5/16" ID, 70mm

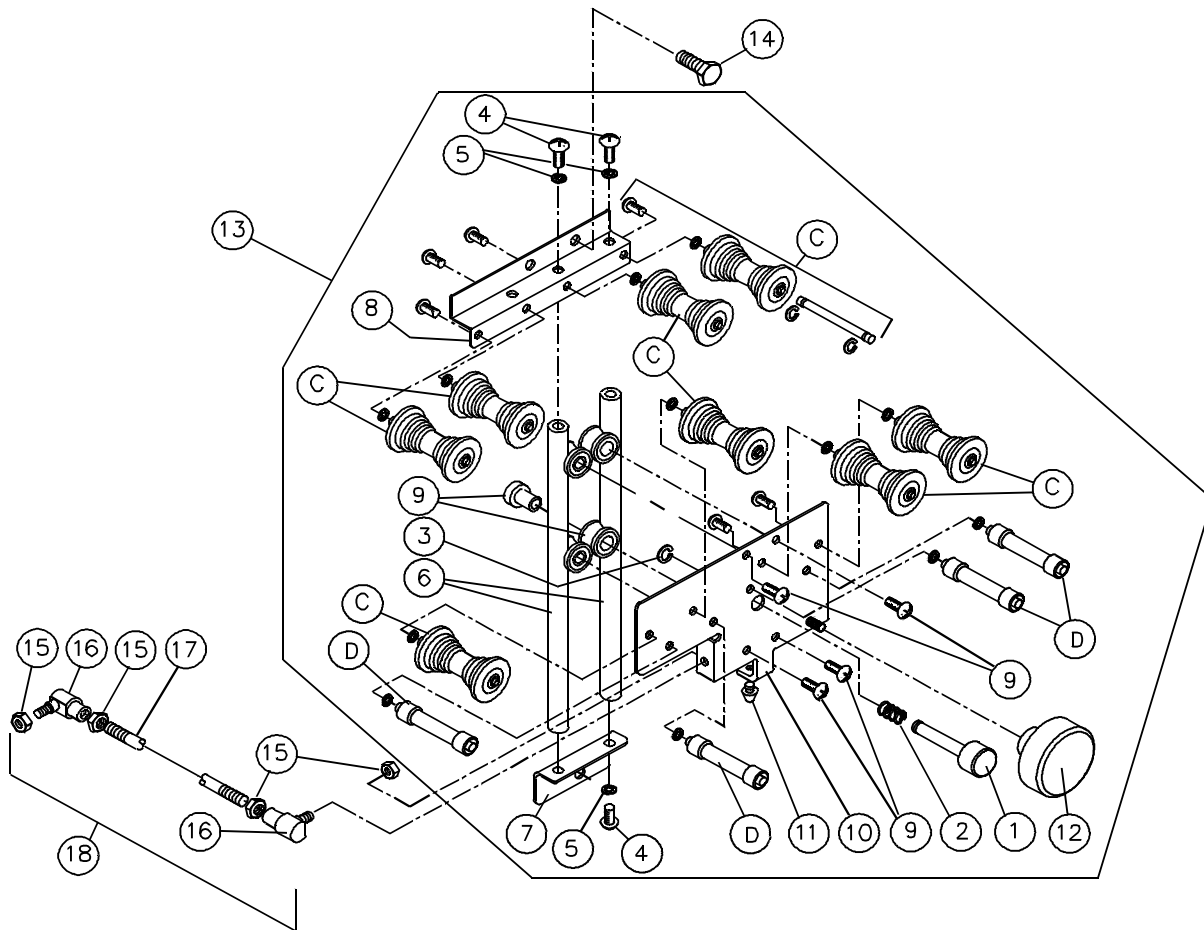


Hi-Speed 70mm Column

Hi-Speed 70mm Column Parts

- A) 2605 Castor Swivel Assy, Left 70mm
- G) 1552 Column Shaft & Pulley Assy 70mm
- E) 1554 Castor Swivel Assy. Right, 70mm
- 1) 1063 SHCS 3/8-16 x 5/8"
- * 2) 2975 Variac Assy. Arm Mount
- 3) 1410 Column Bottom Castor Bracket, 70mm
- 4) 1076 Flatwasher 1/4"
- 5) 1056 HHCS 1/4-28 x 3/4"
- 6) 1088 Locknut, Nylon Insert 1/4-28
- 7) 1055 HHCS 1/4-28 x 1/2"
- 8) 1168 Column Feed Pulley Bracket 1L
- 9) 1709 Socket, CPS
- 10) 2078 Plug 9 Pin
- 11) 2063 Pin Female
- 12) 2071 Clamp Cable
- 13) 3803 Strain Relief, 7/8" x .200
- 14) 1840 Receptacle, 6 Circuit CPS
- 15) 1179 Bushing, Open/Closed 7/8"
- 16) 1655 Column Pulley Shaft, 5/16" Dia.
- 17) 1491 Spool Assy. 70mm
- 18) 1062 HHCS 5/16-18 x 5"
- 19) 1080 Lockwasher 5/16", Split Ring
- 20) 1090 Nut Hex 5/16-18
- 21) 1409 Column R1 Castor Bracket, 70mm
- 22) 3331 Column End Cap
- 23) 1075 Flatwasher #10
- 24) 1072 Screw PTH 10-32 x 1/2"

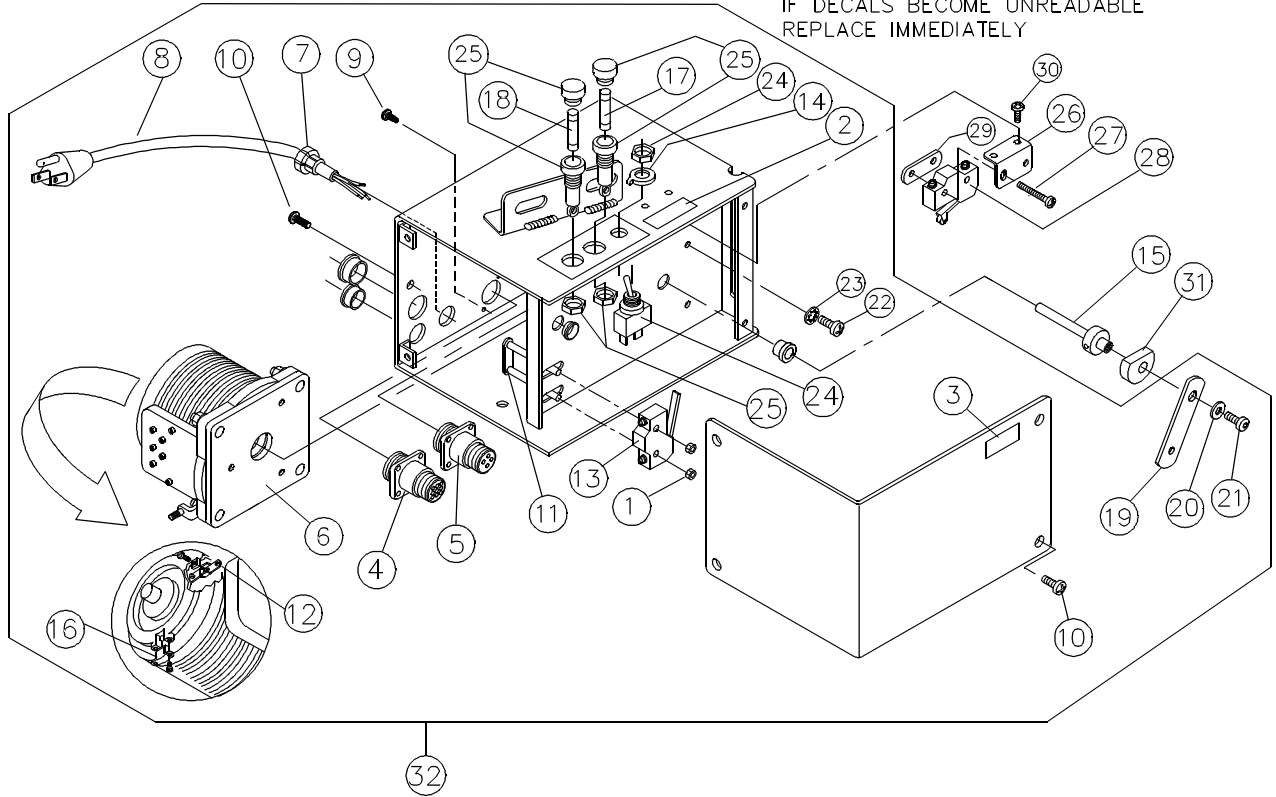
* Variac Assy. 2975 requires some modifications for use on the Hi-Speed 70mm Platter system. See page 5 for details.



Hi-Speed 70mm Take-Up

- | | |
|--|---|
| C) 1556 Pulley Shaft-Castor
& Pulley Assy. 70mm | 9) 2629 Take-Up Slide Shaft & Roller Assy |
| D) 2876 Spool & Shaft Assy. 70mm | 10) 1813 Take-Up Plt. & Bushing 70mm |
| 1) 1465 Take-Up Stop Pin | 11) 2067 Take-up Stop Bumper |
| 2) 1234 Take-Up Stop Pin Spring | 12) 1425 Take-Up Removable Weight |
| 3) 1050 E Ring 5/16" | 13) 2880 Take-Up Assy. Alpha 70mm |
| 4) 1071 Screw PTH 10-32 x 3/8" | 14) 1055 HHCS 1/4-28 x 1/2" |
| 5) 1078 Lockwasher #10, Internal Tooth | 15) 1087 Nut Hex 1/4-28 |
| 6) 1238 Take-up Rail | 16) 2660 Ball Swivel 1/4-28 |
| 7) 1237 Take-Up Lower Bracket | 17) 2247 Variac Linkage Rod A. |
| 8) 1794 Take-Up Upper Bracket, 70mm | 18) 2272 Variac Linkage Rod Assembly A. |

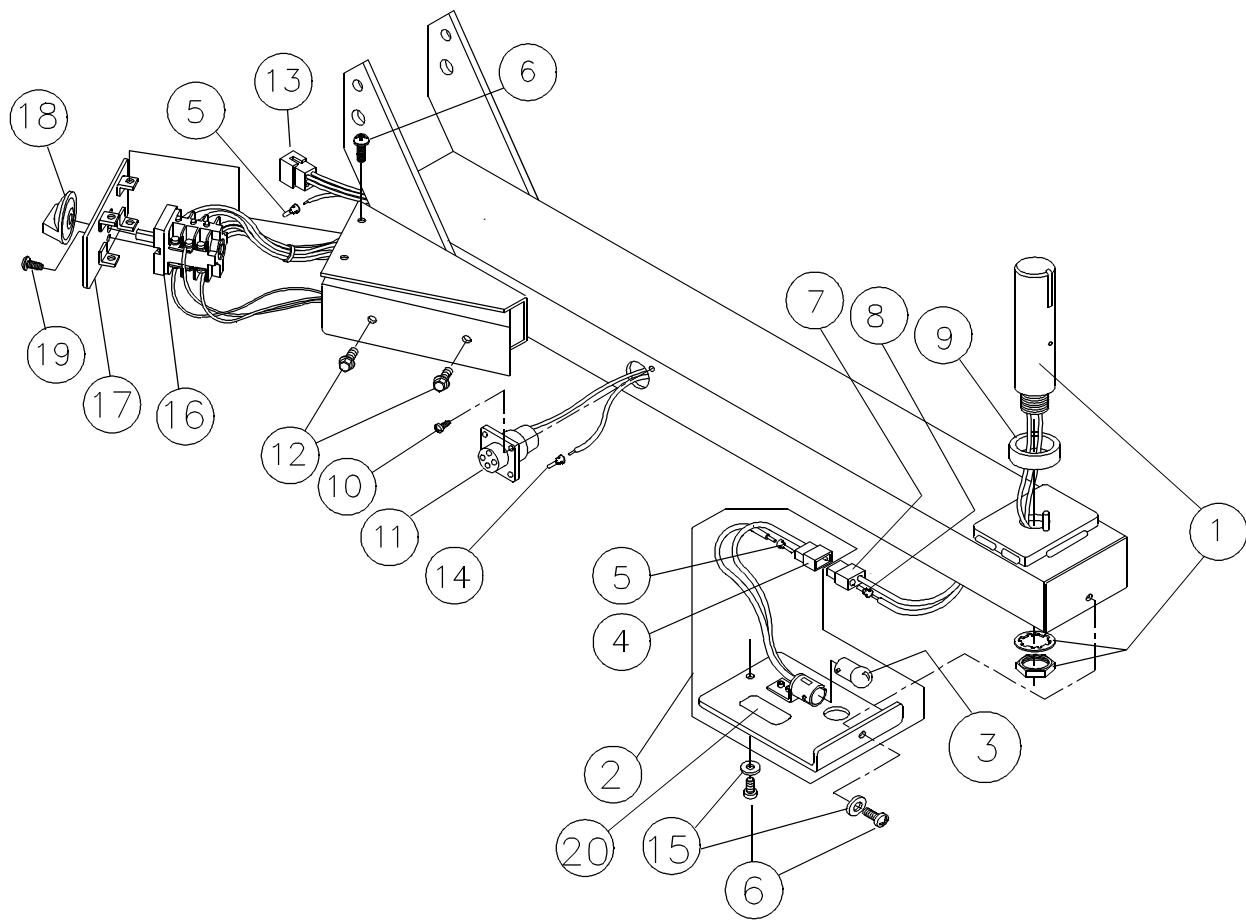
NOTE: DECALS # 3790 & 3788
(ITEMS 2 & 3) HAVE BEEN
INSTALLED FOR YOUR SAFETY
AND THE SAFETY OF OTHERS.
IF DECALS BECOME UNREADABLE
REPLACE IMMEDIATELY



Hi-Speed 70mm Variac
2975 Variac Assy., Arm Mount

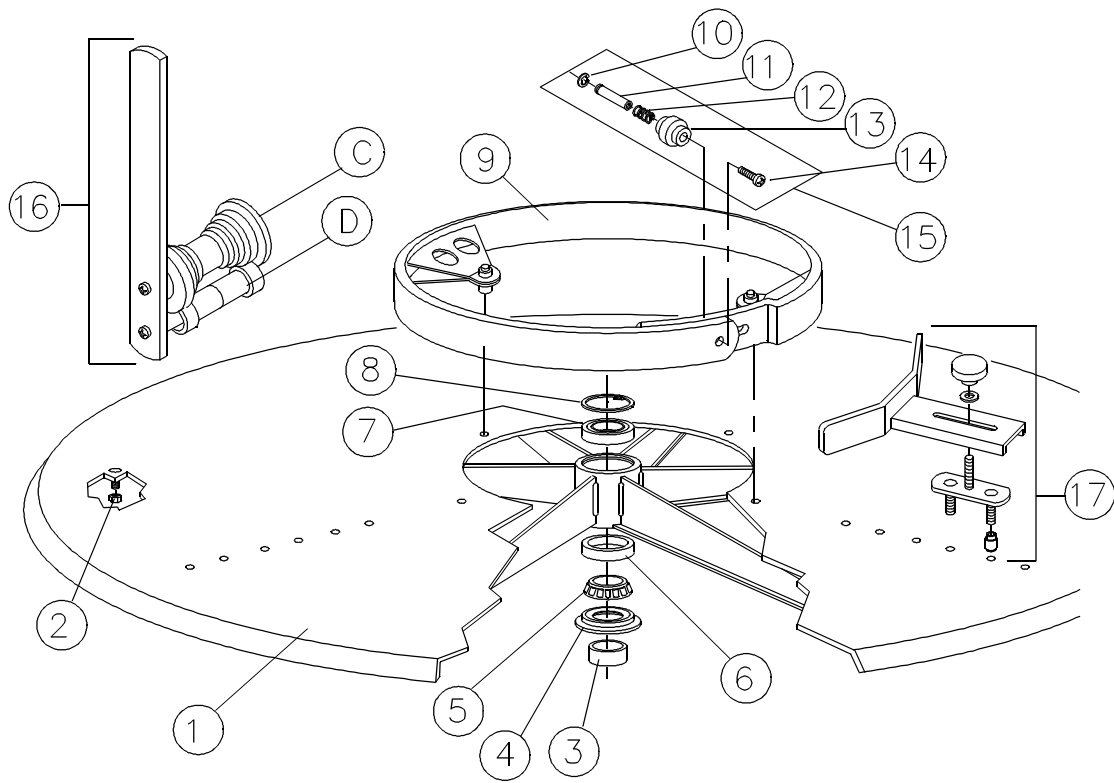
- | | |
|--|--|
| 1) 1083 Nut Hex 6-32 | 19) 1640 Variac Link Type 2 |
| 2) 3788 Decal, Fuse | 20) 1075 Flatwasher #10 |
| 3) 3790 Decal, Cord | 21) 1233 Button Head Cap Screw 10-32 x 3/8" |
| 4) 2077 Receptacle 9 Pin | 22) 1091 Screw PPH 10-24 x 3/8" Type F |
| 5) 2056 Receptacle 4 Pin (std. Sex) | 23) 1078 Lockwasher #10 - Internal Tooth |
| 6) 3884 Transformer Type 1010 115v | 24) 1024 Toggle Switch SPST On-Off |
| 7) 2391 Strain Relief 5/8 x .125
(.325/.36 dia) | 25) 1009 Fuse Holder |
| 8) 1029 Power Cord 3 Wire | 26) 3377 Variac Switch Bracket, Hi-Speed
70mm |
| 9) 2521 Screw PPH #8 x 3/8" Type 25 | 27) 1068 PPH 6-32 x .80 |
| 10) 1071 Screw PTH 10-32 x 3/8" | 28) 2413 Micro Switch-Short Roller Arm |
| 11) 1469 Switch Adjusting Plate Assy | 29) 1147 Nut Plate |
| 12) 2103 Contact Assembly Variac | 30) 1910 Screw, PTH 4-40 x 1/4" |
| 13) 2111 Micro Switch-Flat Blade-HD | 31) 3957 Variac Outer Hub, H-S 70mm |
| 14) 1081 Washer Switch Keyed | |
| 15) 3376 Variac Shaft & Hub Hi-Speed
70mm | |
| 16) 1005 Brush Variac 115v | |
| 17) 2265 Fuse 8 AMP 125v | |
| 18) 2338 Fuse 1.5 AMP 250v | |

NOTE: Item 15 replaces the Variac Shaft (3376) used in Variac Assy. 2975. Items 26, 27, 28, 29, 30 & 31 are added to Assy. 2975 for use on the Hi-Speed 70mm Platter System only.



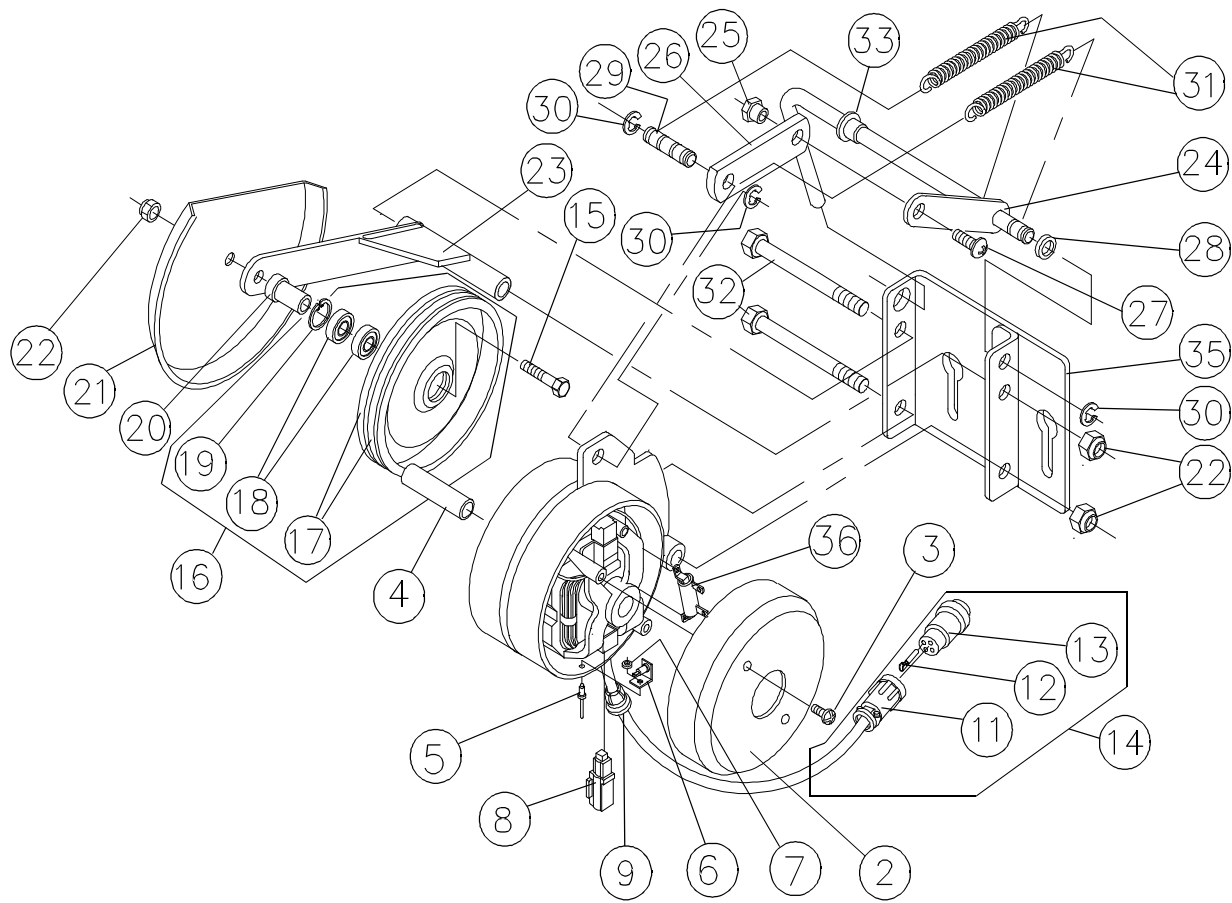
Arm Hi-Speed 70mm

- | | |
|--------------------------------------|--|
| 1) 2359 Arm Spindle Plug In Retrofit | 12) 2367 HWHS 1/4-20 x 5/8" |
| 3) 2129 Bulb 115v Bayonette Base | 13) 1839 Plug, 6 Circuit CPS |
| 4) 1837 Plug, 2 Circuit CPS | 14) 2063 Socket, CPC |
| 5) 1708 Pin, CPS | 15) 1075 Flatwasher #10 |
| 6) 1071 Screw PTH 10-32 x 3/8" | 16) 2352 Selector Switch Alpha |
| 7) 1838 Receptacle, 2 Circuit CPS | 17) 1728 Arm Switch Mount. Plate Weldment
Alpha |
| 8) 1709 Socket, CPS | 18) 2631 Knob-Selector Switch |
| 9) 1183 Arm Bearing Spacer | 19) 2521 Screw PPH #8 X 3/8" Type 25 |
| 10) 1065 Screw PTH 6-32 x 1/4" | 20) 3787 Decal, Bulb Replacement |
| 11) 2068 Receptacle 4 Pin | |



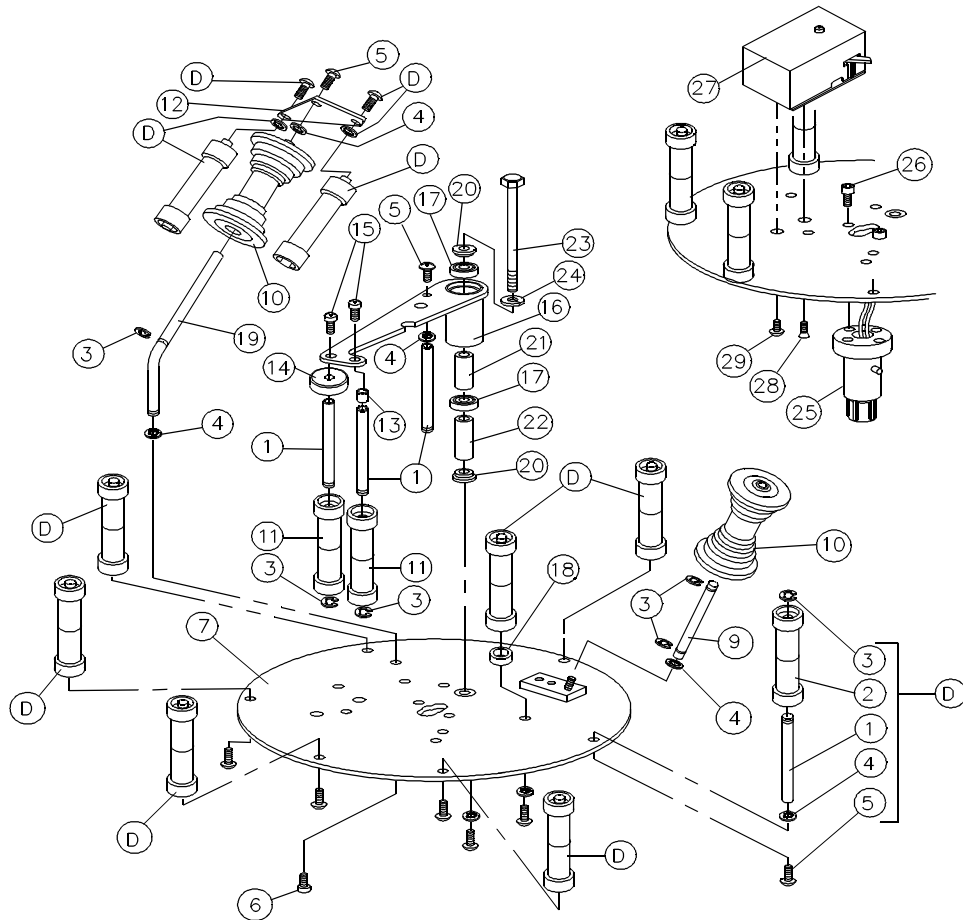
Hi-Speed 70mm Disk & Center Ring

- | | |
|---|--|
| C) 1556 Pulley Shaft-Castor & Pulley Assy
70mm | 9) 3960 Center Ring Assy (includes item #15) |
| D) 2876 Spool & Shaft Assy., 70mm | 10) 1050 E Ring 5/16" |
| 1) 1865 One Disk Crated 52" | 11) 1265 Shaft #9 |
| 2) 1084 Locknut, Nylon Insert 6-32 | 12) 1266 Center Ring Knob Spring |
| 3) 1183 Arm Bearing Spacer | 13) 1264 Center Ring Knob |
| 4) 1258 Disk Lower Bearing Grease Retainer | 14) 1070 Screw PFH 8-32 x 3/8" |
| 5) 1256 Disk Lower Bearing | 15) 1827 Center Ring Knob Assy |
| 6) 1257 Disk Lower Bearing Race Cup | 16) 1498 Projector Arm Assy 70mm
(Includes C & D) |
| 7) 1254 Disk Upper Bearing | 17) 3369 Disk Film Clamp Assembly |
| 8) 1255 Disk Upper Bearing Retaining Ring | |



Hi-Speed 70mm Motor
1826 Drive Motor Assy. Type 3 Alpha

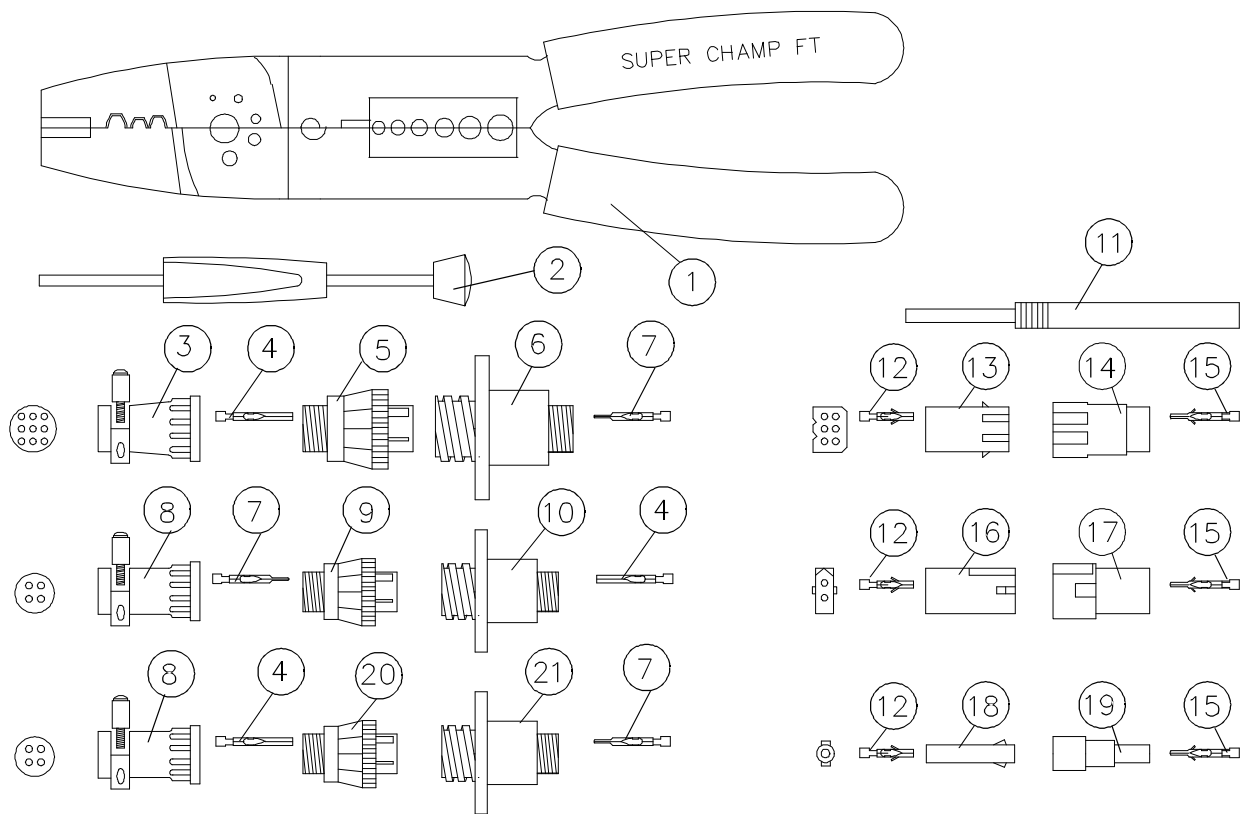
- | | |
|--|---|
| 2) 1192 Drv Mtr End Cover | 20) 1633 Drive Motor Wheel Spacer Type 3 |
| 3) 1091 Screw PPH 10-24 x 3/8" Type F | 21) 1632 Drive Motor Wheel Shield Type 3 |
| 4) 1630 Drv Mtr Hub Type 3, 3/8" dia | 22) 1088 Locknut, Nylon Insert 1/4-28 |
| 5) 1052 Pop Rivet 1/8" X 5/16" Steel | 23) 1620 Drive Motor Wheel Arm Weldment Type 3 |
| 6) 1775 Drv Mtr Diode & Brkt Assy | 24) 1618 Drive Motor Toggle Handle Weldment Type 3 |
| 7) 2026 Back-Up Plt Pop Rivet 1/8" | 25) 1631 Drive Motor Linkage Connector Type 3 |
| 8) 1004 Brush Motor 115 volt (1 pair) | 26) 1634 Drive Motor Connector Link Type 3 |
| 9) 2856 Strain Relief 5/8 x .062 | 27) 1071 Screw PTH 10-32 x 3/8" |
| 11) 2070 Clamp Cable #11 | 28) 1546 Washer, Fiber 5/16" x 7/16" x .015" |
| 12) 2064 Pin Male | 29) 1402 Drive Motor Spring Pin |
| 13) 2069 Plug 4 Pin | 30) 1050 E Ring 5/16" |
| 14) 2299 Drv Motor Plug Wire Harness A. | 31) 1818 Drive Motor Spring Type 3 |
| 15) 2370 HHCS 1/4-28 x 1 1/4" | 32) 3009 HHCS 1/4-28 x 3 3/4" |
| 16) 2140 Drive Motor Wheel Assy | 33) 1128 Bushing Plastic 1/2" |
| 17) 2362 Drive Motor Rubber Tire | 35) 2796 Drive Motor Adjustment Plate Assembly Type 4 |
| 18) 2066 Bearing Drive Wheel 7/8 OD x 3/8 ID | 36) 1253 Resistor 2 OHM with Mounting Hardware |
| 19) 2224 Retaining Ring Internal 7/8" | |



Hi-Speed 70mm Control Plate

3071 Control Plate Assy. Plug-in 70mm PHC Complete

- | | |
|---|--|
| D) 2876 Spool & Shaft Assy. 70mm (Includes 1-5) | 18) 4301 Control Plate Exit Feed Spool Spacer, 70mm |
| 1) 1431 Spool Shaft, 70mm | 19) 1658 Control Plate Exit Shaft #3, 5/16" Dia. 70mm |
| 2) 1491 Spool Assembly, 70mm | 20) 2380 Control Plate Sensor Arm Washer |
| 3) 1050 E-Ring, 5/16" | 21) 2379 Control Plate Sensor Arm Spacer |
| 4) 1078 Lockwasher, #10, Internal Tooth | 22) 1742 Control Plate Arm Hub Standoff, 70mm |
| 5) 1071 Screw PTH, 10-32 x 3/8" | 23) 3009 HHCS, 1/4-28 x 3 3/4" |
| 6) 1592 SHCS, 10-32 x 1/2" | 24) 1079 Lockwasher, 1/4" Split Ring |
| 7) 2210 Control Plate & Nut Sub Assy. 70mm | 25) 2357 Control Plate, Plug-In Adapter (Includes item 26) |
| 9) 1654 Pulley Shaft-Castor, 5/16" Dia. 70mm | 26) 1064 SHCS, 8-32 x 3/8" |
| 10) 1715 Pulley Assy. 5/16" ID, 70mm | 27) 2430 Phase Control Assy. W/mounting Package (includes 28 & 29) |
| 11) 3067 Sensor Arm Spool Assy. 70mm | 28) 1070 Screw, PFH, 8-32 x 3/8" |
| 12) 1436 Control Plate Keeper Tab, 70mm | 29) 1069 Screw, PTH, 8-32 x 3/8" |
| 13) 1153 Control Plate Arm Spool Spacer Float | |
| 14) 2006 Control Plate Arm Film Spacer | |
| 15) 1072 Screw, PTH, 10-32 x 1/2" | |
| 16) 1691 Control Plate Sensor Arm & Hub | |
| 17) 2407 Bearing, 5/8 OD x 1/4 ID | |



- 1) 2674 Pin Crimping Tool
- 2) 2673 Pin Extraction Tool CPC
- 3) 2071 Clamp Cable #13
- 4) 2063 Socket CPC
- 5) 2078 Plug 9 Pin
- 6) 2077 Receptacle 9 Pin
- 7) 2064 Pin CPC
- 8) 2070 Clamp Cable #11
- 9) 2069 Plug 4 Pin
- 10) 2068 Receptacle 4 Pin
- 11) 2669 Pin Extraction Tool CPS
- 12) 1709 Socket, CPS
- 13) 1840 Receptacle, 6 Circuit CPS
- 14) 1839 Plug, 6 Circuit CPS
- 15) 1708 Pin, CPS
- 16) 1838 Receptacle, 2 circuit CPS
- 17) 1837 Plug, 2 Circuit CPS
- 18) 1836 Receptacle, 1 Circuit CPS
- 19) 1835 Plug, 1 Circuit CPS
- 20) 2057 Plug, 4 Pin - (std sex)
- 21) 2056 Receptacle 4 Pin - (std sex)