

Film-Tech

The information contained in this Adobe Acrobat pdf file is provided at your own risk and good judgment.

These manuals are designed to facilitate the exchange of information related to cinema projection and film handling, with no warranties nor obligations from the authors, for qualified field service engineers.

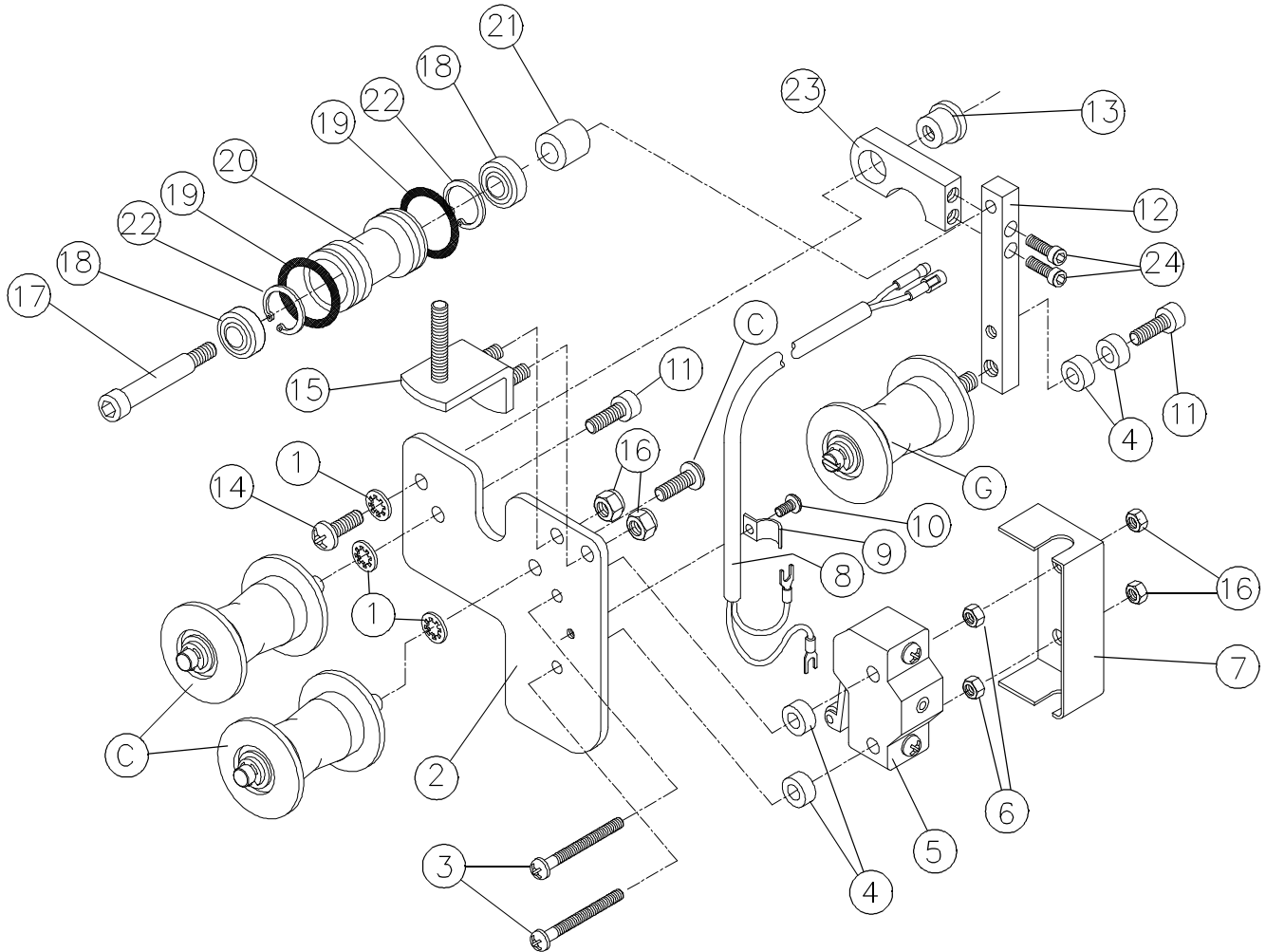
If you are not a qualified technician, please make no adjustments to anything you may read about in these Adobe manual downloads.

www.film-tech.com

Wrap Detector

Parts Manual

PRODUCT INFORMATION BULLETIN #3395



- | | |
|--|---|
| C) 1447 Pulley Shaft #6 & Pulley Assy. 35mm | 12) 3384 Wrap Detector Roller Bar |
| G) 1504 Column Shaft & Pulley Assy 35mm | 13) 3385 Wrap Detector Pivot Bushing |
| 1) 1078 Lockwasher #10 - Internal Tooth | 14) 1071 Screw PTH 10-32 X 3/8" |
| 2) 3381 Wrap Detector Base Plate | 15) 3416 Wrap Detector Swivel Brkt. Assy. |
| 3) 3388 Screw PPH 6-32 X 1 1/4" | 16) 1084 Locknut, Nylon Insert 6-32 |
| 4) 2400 Spacer 3/8" Alum. Rnd. #10 X 1/8" | 17) 3392 Shoulder Screw 1/4" X 1 1/2" |
| 5) 2413 Micro Switch - Short Roller Arm - HD | 18) 2407 Bearing 5/8" OD X 1/4" ID |
| 6) 1083 Nut Hex 6-32 | 19) 3390 O-Ring 1/8" X 13/16" ID X 1 1/16" OD |
| 7) 3387 Wrap Detector Switch Cover | 20) 3386 Wrap Detector Tensioner Roller |
| 8) 3394 Wrap Detector Plug Harness | 21) 3391 Spacer Nylon 1/2" OD X .257" ID X 1/2" |
| 9) 3393 Cable Clamp | 22) 3310 Retaining Ring Internal 5/8" Bowed |
| 10) 1065 Screw PTH 6-32 X 1/4" | 23) 3383 Wrap Detector Pivot Bar |
| 11) 1592 SHCS 10-32 X 1/2" | 24) 3397 SHCS 4-40 X 1/2" |